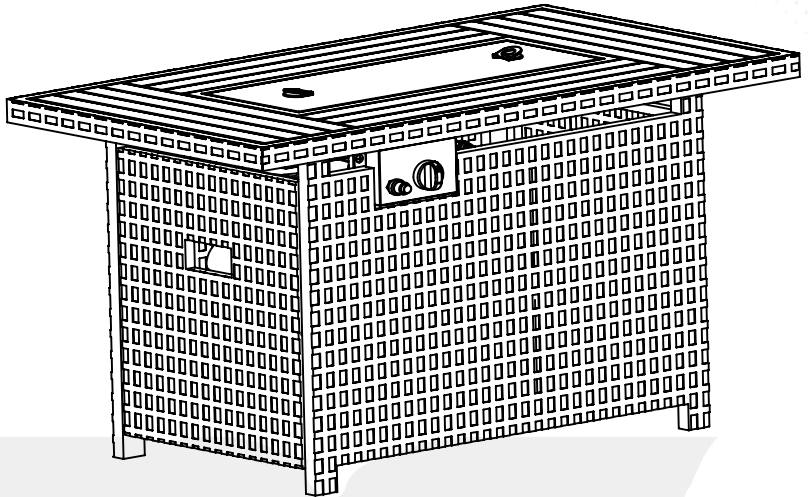


MANUAL INSTRUCTION

Fire Pit



We offer a diverse range of products to meet the needs of customers.

Outdoor Furniture

We are a professional furniture provider with top-notch factories and outstanding designs, Our mission is to provide consumers with new lifestyles. By collecting consumer feedback, we constantly improve our products and create more choices for consumers. If you want to create your space, We are an ideal choice.

Always.



WARNING

DONOT USE THIS
PRODUCT ON A WOODEN
DECK OR AGAINST A

DONOT TOUCH THE GAS
HOSE TO THE BURNER OR
FIRE BOWL.



WARNING

IF YOU SMELL OR HEAR GAS

1. Do not attempt to ignite the burner.
2. Close the valve of the gas tank and disconnect the gas tank from the burner.
3. Evacuate people and move away from fireplace tables.
4. If necessary, contact firefighters for gas leaks.

IF YOU SMELL BURNING RUBBER

1. Extinguish flames with fire extinguishers.
2. Close the valve of the gas tank, disconnect the gas tank from the fireplace table and remove the gas tank.
3. Evacuate people and move away from fireplace tables.
4. If necessary, contact firefighters promptly to solve the problem.

! FIREPLACE TABLE WARNING

1. This fireplace table is for outdoor use only. This fireplace table produces carbon monoxide and has no odor. Do not use this product in garages, indoors or other enclosed spaces.
2. The efficiency of the fire pit decreases in temperatures below 40 degrees Fahrenheit or wind speeds above 10 mph.
3. Use this equipment only on hard and flat surfaces that do not burn easily, such as concrete or rock. Do not use on plastic laminate floors or artificial wood floors.
4. For use with propane gas tanks only (not included).
5. Children are not allowed to operate the fireplace table, only adults are allowed to operate it.
6. Do not allow children and pets around the fire pit when using this product.
7. Do not stand on any part of this product or use it as a step ladder.
8. Please do not tighten the screws during the initial installation process until the installation is complete and then tighten the screws.
9. Please refer to the manual for installation, wrong installation steps may bring unnecessary losses.
10. Please review the precautions before use. Failure to follow warnings and instructions may result in death, serious injury or property damage.
11. If any parts are missing, broken, damaged or worn, discontinue use of the product until repairs are made and/or factory replacement parts are installed.
12. Do not use this product in a manner inconsistent with the manufacturer's instructions, as this may void the product warranty.
13. Do not use a flame to check for gas leaks.
14. Do not use this fire pit under a tree or near any other unprotected combustible area.
15. Do not connect to a distant gas supply.
16. Do not use with natural gas.
17. Do not use solid fuel or charcoal on this fire pit.
18. Do not burn anything other than what is provided.
19. Do not place clothing or flammable materials near a fire pit.
20. Do not use the fireplace table for cooking.
21. Do not place food or eat on the surface of the fireplace table while the fire is burning.
22. Do not pour water on any part of the fire pit.
23. When in use, keep a safe distance from the fire pit table. Do not sit on the fireplace table or put your hands/feet on it.
24. To avoid burns, do not touch or move any part of the fireplace table while it is in use and wait until it is completely cool.
25. Do not inhale smoke from the fireplace table to avoid smoke entering your lungs.
26. Do not alter this equipment. Any alteration will create a safety hazard.
27. Do not use any attachments or accessories other than the original factory attachments and accessories.
28. Periodically inspect the hose for wear or abrasions. If the hose is damaged, do not use it.
29. Please note that items stored under the fireplace table will be exposed to radiation and may be damaged.

! CALIFORNIA PROPOSITION 65

WARNING: This product can expose you to Carbon monoxide, which is known to the State of California to cause birth defects or other reproductive harm.

! PROPANE TANK WARNINGS

1. Use only standard 20 lb. propane tanks.
2. Do not fill the gas tank more than 80% of its capacity.
3. Do not use if any part of the can is damaged; rust and dents can be dangerous.
4. The bottom of the propane tank must be fastened to the base with screws.
5. Using too much propane gas may result in gas buildup and failure to burn.
6. Brush a mixture of soap and water on all connections and check for gas leaks. If large bubbles appear when the gas is turned on, the gas may be leaking.

PROPANE TANK WARNINGS

1. Use only standard 20 lb. propane tanks.
2. Do not fill the gas tank more than 80% of its capacity.
3. Do not use if any part of the can is damaged; rust and dents can be dangerous.
4. The bottom of the propane tank must be fastened to the base with screws.
5. Using too much propane gas may result in gas buildup and failure to burn.
6. Brush a mixture of soap and water on all connections and check for gas leaks. If large bubbles appear when the gas is turned on, the gas may be leaking.

TOOLS REQUIRED



Phillips Sc rewdriver



AAA Battery



2 Persons Assembly

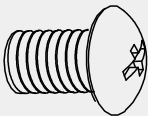


Up to 30 Minutes For Assembly

HARDWARE

A A

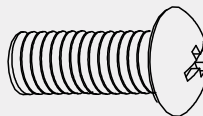
M6×12 mm Bolt



30PCS

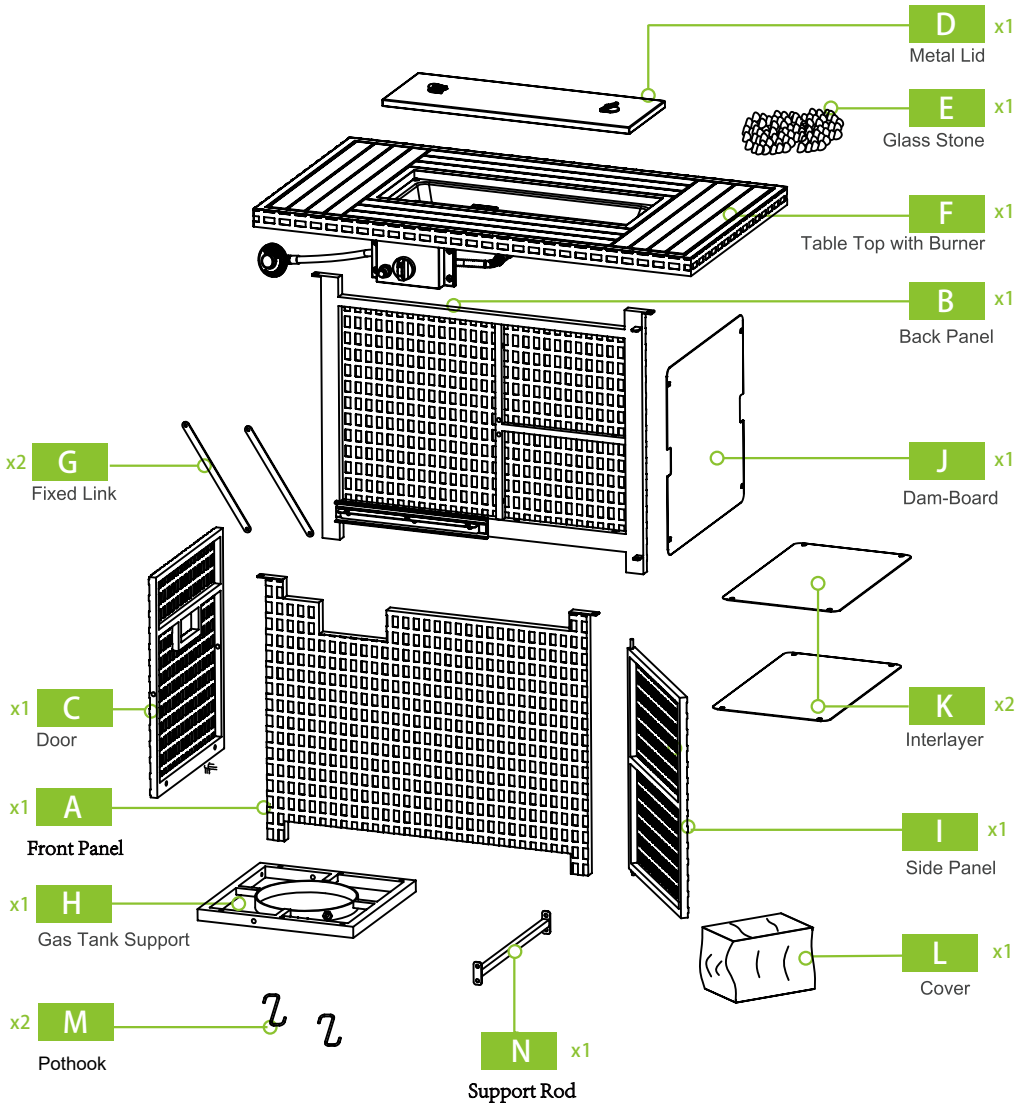
B B

M6X35mm Bolt



2PCS

PARTS

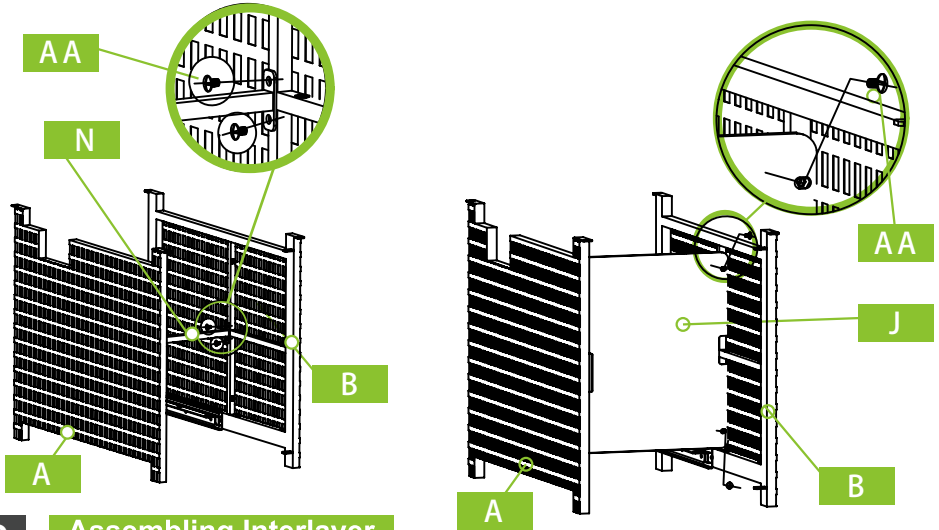


PRODUCT ASSEMBLY

1 Assembling Dam-Board

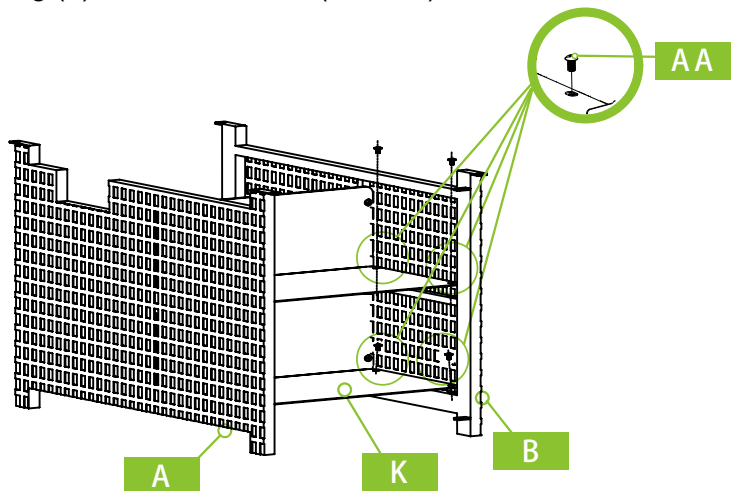
First attach Support Rod (Part N) to the Front Panel (Part A) and Back Panel (Part B) using (4) M6x12mm Bolts (Part AA).

Then attach Dam-Board (Part J) to the Front Panel (Part A) and Back Panel (Part B) using (4) M6x10mm Bolts (Part AA).



2 Assembling Interlayer

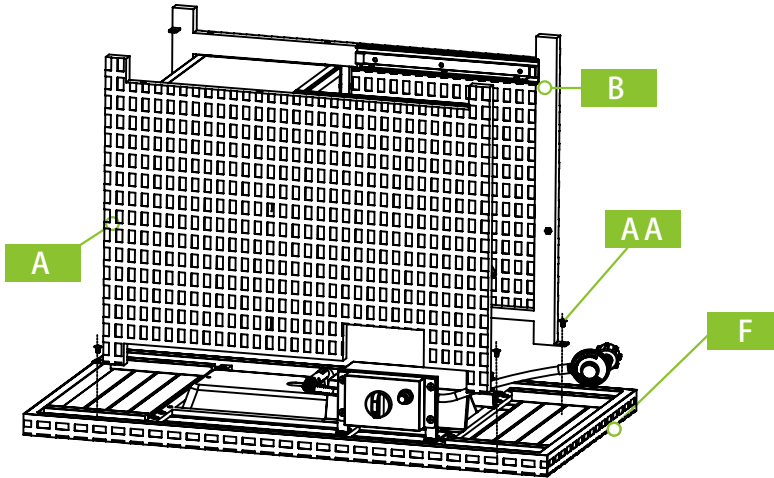
Attach Interlayer (Part K) to the Front Panel (Part A) and Back Panel (Part B) using (8) M6x12mm Bolts (Part AA).



PRODUCT ASSEMBLY

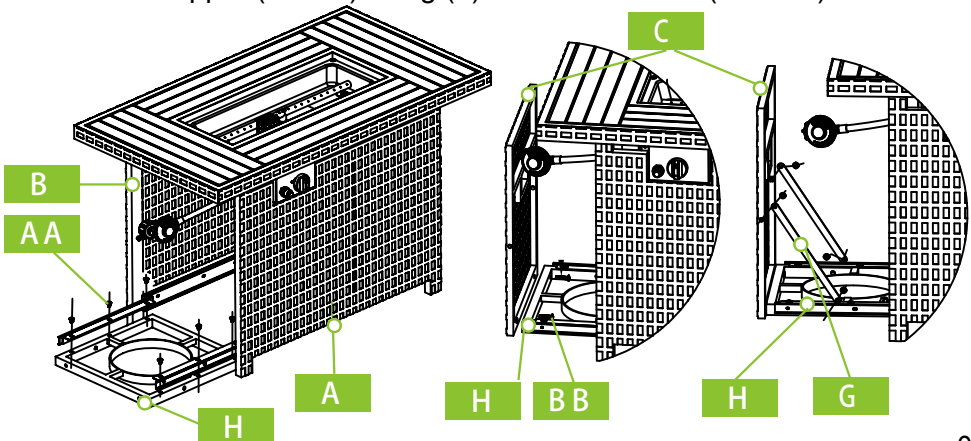
3 Assembling the Base

Attach the part (step 2) to the Table Top with Burner (Part F) using (4) M6x12mm Bolts (Part AA). Tighten all the bolts with a Phillips screwdriver(not included).



4 Assembling the door

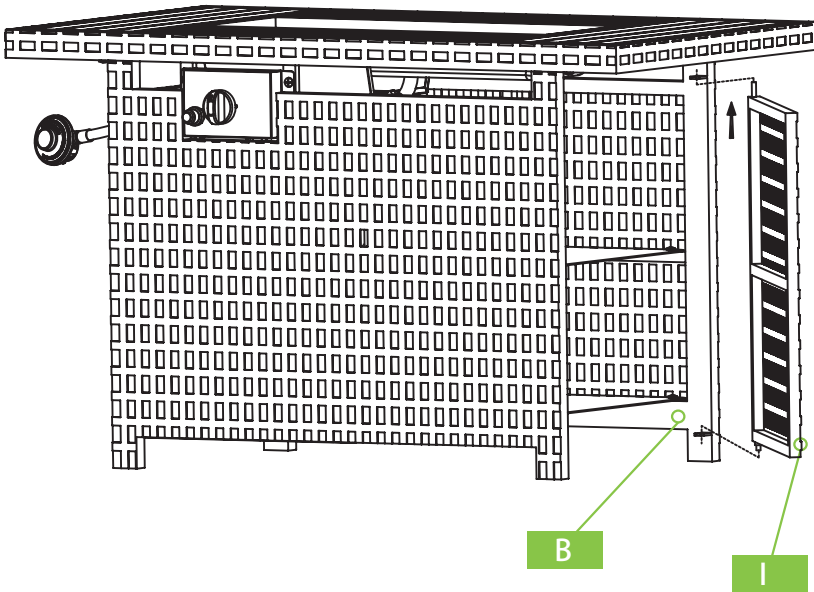
- 1, Attach the Gas Tank Support (Part H) to the Slide on the Front Panel (Part A) and the Back Panel(Part B) using (6) M6x12mm Bolts(Part AA).
- 2, Attach the Door (Part C) to the Gas Tank Support (Part H) using (2) M6x35mm Bolts(Part BB).
- 3, Attach (2) the Fixing Link(Part G) to the Door(Part C) and the Gas Tank Support(Part H) using (4) M6x12mm Bolts(Part AA).



PRODUCT ASSEMBLY

5 Assembling Side Panel

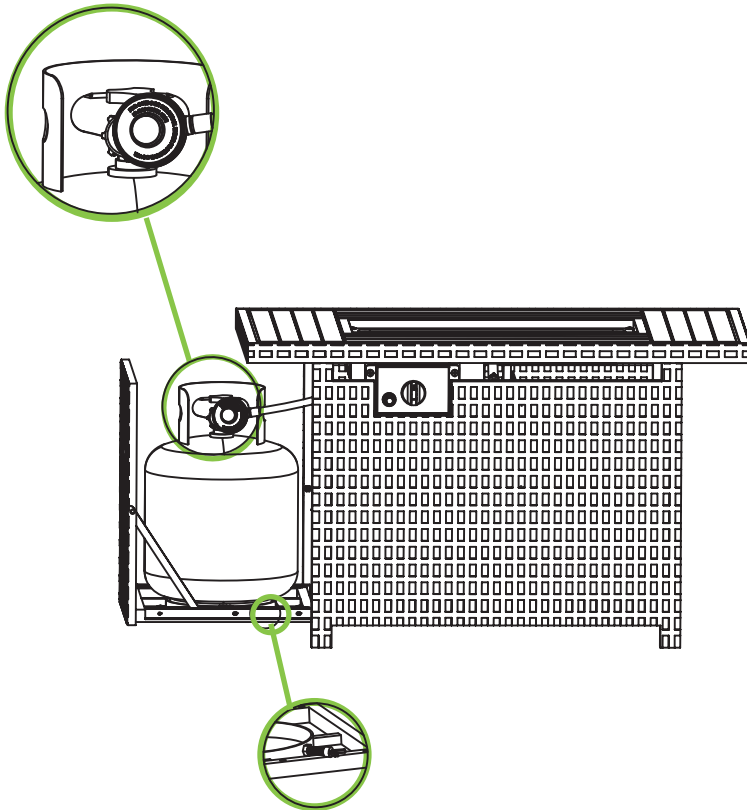
Insert the Side Panel (Part I) into the Back Panel (Part B) as shown in the figure.



PRODUCT ASSEMBLY

6 Assembling the cylinder

Put the cylinder into the gas tank support (H), and secure the cylinder by tightening the screw in the gas tank support (H).
Connect the hose and regulator to the cylinder.



PRODUCT ASSEMBLY

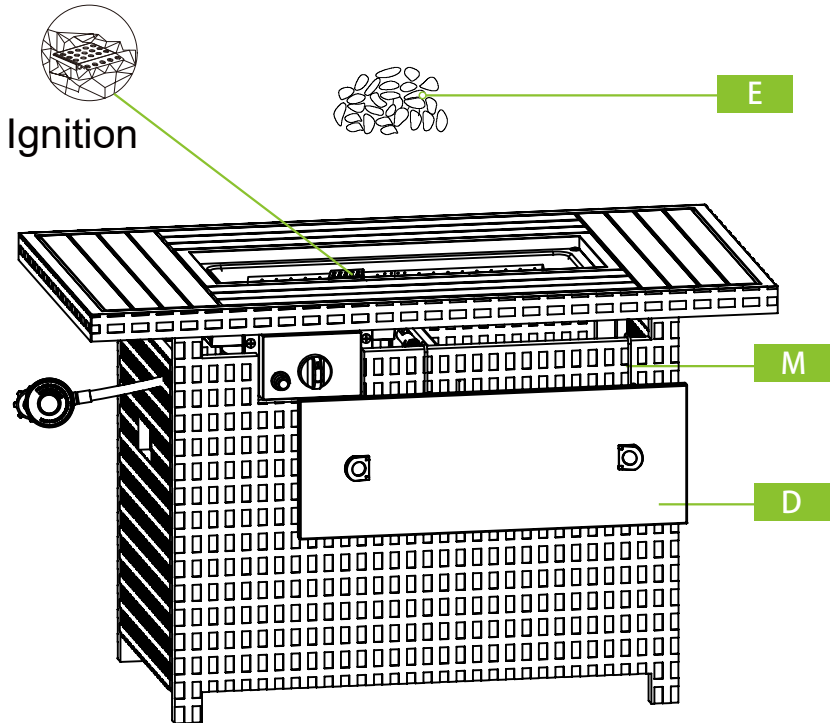
7

Assembling the Glass Stone

Place the glass(E) into the fire bowl.



Note: Ensure no glass is placed on the ignition portion of the burner. Then place the metal lid(D) on.

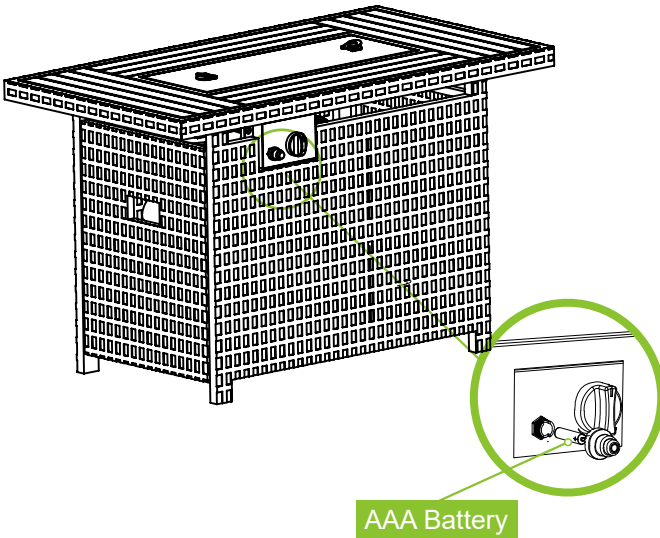


PRODUCT ASSEMBLY

8

Installing the AAA Battery

Open the igniter and place the AAA Battery (not included) into the igniter. Then tighten clockwise. The Metal Lid (Part D) must be removed when the burner is in operation. Wait until the unit cools before replacing the cover. Do not over tighten igniter button.



PRODUCT ASSEMBLY

Operating (continued)

LEAK TESTING OPERATION



WARNING: A leak test must be performed annually or if a part of the gas system is replaced.



WARNING: Never use an open flame to check for gas leaks. Be certain no sparks or open flames are in the area while you check for leaks. Sparks or open flames will result in a fire or explosion, damage to property, serious bodily injury, or death.

LEAK TESTING:

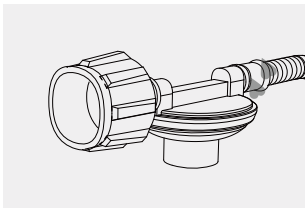
- 1, Make 2-3 oz. of leak detection solution by mixing one part liquid dishwashing soap with three parts water.
- 2, Make sure all fire pit and light valves are OFF
- 3, Apply several drops of solution where hose attaches to regulator.
- 4, Apply several drops of solution where regulator connects to cylinder.
- 5, Turn cylinder valve ON.

If bubbles appear at any connection, there is a leak.

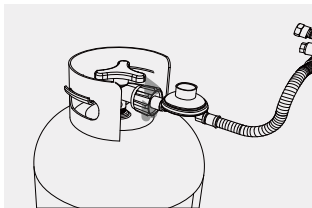
- 1, Turn cylinder valve OFF.
- 2, If leak is at hose/regulator connection: tighten connection and perform another leak test. If bubbles continue appearing, pls contact after service for assistance.
- 3, If leak is at regulator/cylinder valve connection: disconnect, reconnect, and perform another leak test. If you continue to see bubbles after several attempts, cylinder valve is defective, and contact 866-552-2810 for assistance.

If NO bubbles appear at any connection, the connections are secure.

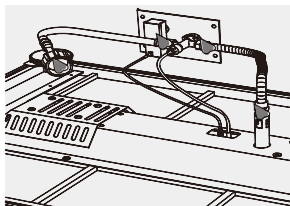
NOTE: Whenever gas connections are loosened or removed, you must perform a complete leak test .



Hose/Regulator
Connection



Regulator/Cylinder
Connection



PRODUCT ASSEMBLY

Troubleshooting

| PROBLEM | PROBLEM CAUSE | SOLUTION |
|--|---|--|
| The flame and heat are low when the valve is turned to high. | The propane lighting procedure was not followed correctly. | Ensure lighting procedure is followed carefully. The valve must be in the off position when the tank valve is turned on. Turn the tank on slowly to allow pressure to equalize. See Lighting Instructions in the Operating section. |
| Burners burn with yellow flame, accompanied by the smell of gas. | There is possibly a spider web or other debris. | Thoroughly clean the burner venturi. See the Maintenance section. |
| The burner will not light with the igniter, but will light with a match. | The battery is either dead or installed incorrectly. There is a loose electrode wire or switch terminal wires. | Check the installation or replace with a new battery. Check that the electrode wire is firmly pushed onto the terminal on the back of the igniter. Check that the lead wires from the module to the ignition switch (if equipped) are firmly pushed onto their respective terminals. |
| The burner will not stay lit when control knob is released. | The knob is not being held in long enough. It is too windy outside. Lava rock or debris are in the ignition area of the burner preventing the thermocouple from being fully engulfed in flame. Either the thermocouple or thermocouple connection is dirty. Either the thermocouple or valve is faulty. | The thermocouple must have time to heat up. Hold the knob in for 30 seconds after the burner lights, then release. The unit will shut down if winds are greater than 10 mph (16 km/h). Either locate the fire pit to a different area or use when it is less windy. Ensure there is no lava rock or other debris in the ignition area, and that the small hole below the thermocouple is unobstructed. Clean the thermocouple and clean the connection between the valve and thermocouple. Ensure the connection is properly tightened. Replace thermocouple and/or valve. |
| The regulator is humming. | This is a normal occurrence on hot days. | This is not a defect. It is caused by internal vibrations in the regulator and does not affect the performance or safety of the gas heater. Humming regulator will not be replaced. |
| The valve is set to high but there is low heat output. There is also a rumbling noise and a fluttering blue flame at the burner surface. | There is not enough gas. The supply hose is pinched. The burner orifice is either dirty or clogged. There are spider webs or other matter in venturi tube. The propane regulator is in a "low flow" state. | Check the gas level in the propane cylinder. Reposition the supply hose as necessary. Clean the burner orifice. Clean out the venturi tube. Ensure the lighting procedure is followed carefully. All valves must be in the off position when the tank valve is turned on. Turn tank on slowly to allow pressure to equalize. See the Lighting Instructions in the Operating section. |

