

Metal Garden Shed

5.5'x3'FT

Assembly Instruction



PLAN AHEAD

Before beginning installation, check local building codes regarding footings, location and other requirements.

Study and understand this instruction.

Important information and helpful tips will make your installation easier and more enjoyable.

Tools and Materials: There are some basic tools and materials you will need for the installation. Decide which method of anchoring and the type of foundation you wish to use in order to form a complete list of the materials you will need.

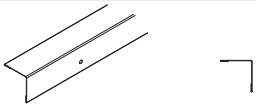


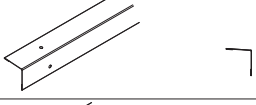







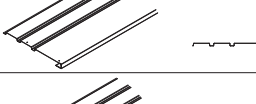



BEFORE YOU BEGIN

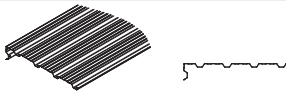
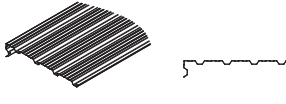
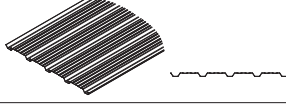
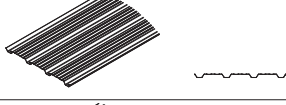
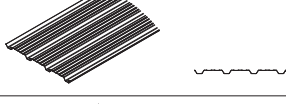
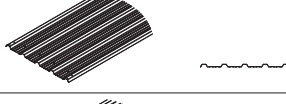
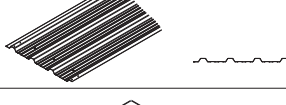
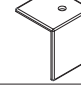
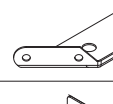
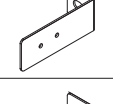
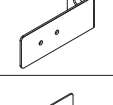
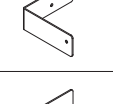
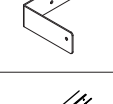
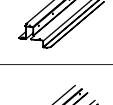
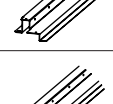
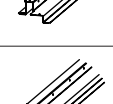

Assembly Instruction: Instructions are supplied in this manual and contain all appropriate information for your installation. Review all instructions before you begin, and during assembly, follow the step sequence carefully for correct results.

Parts List: Check to be sure that you have all the necessary parts and quantities in your package. These are packaged within the carton. Note that extra fasteners have been supplied for your convenience.

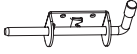


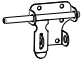
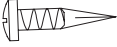

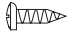



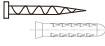
Explosion Diagram: All parts except screws and bolts are shown in this diagram, review all parts before you begin. Familiarize yourself with the hardware and fasteners for easier use during installation.




PARTS LIST

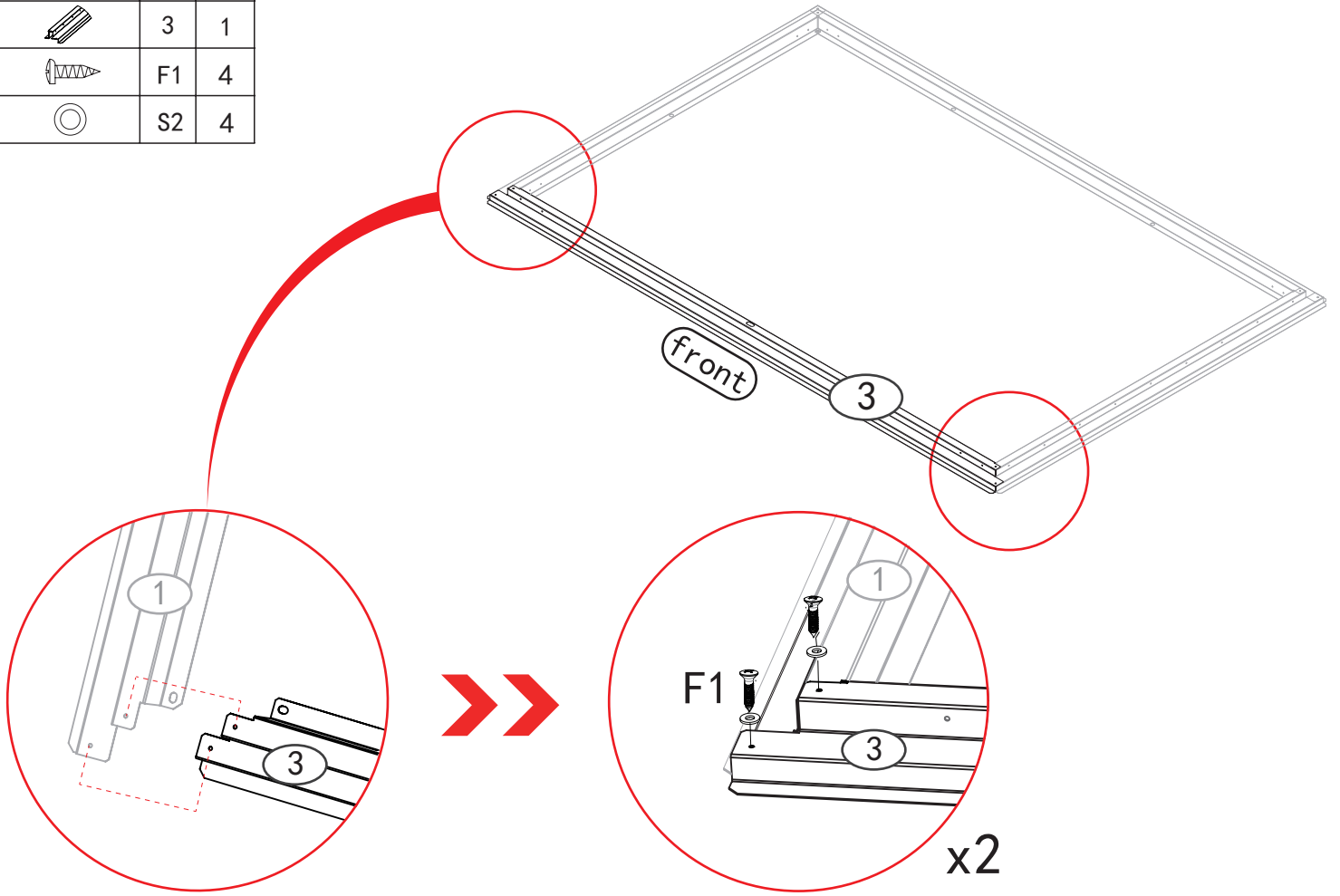
NO.	PART	Qty.
9L		1
9R		1
10		1
12		1
15		1
16		1
17		2
20		4
25L		1
25R		1
DLA		1
DLB		1
DRA		1
DRB		1
DX1		4

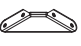

NO.	PART	Qty.
P2L		1
P2R		1
P3		3
P3L		1
P3R		1
P5		1
P7		3
GC		4
JM5		4
JM6		1
JM7		1
JM8		1
JM9		1
1		1
2		1
3		1
4		1

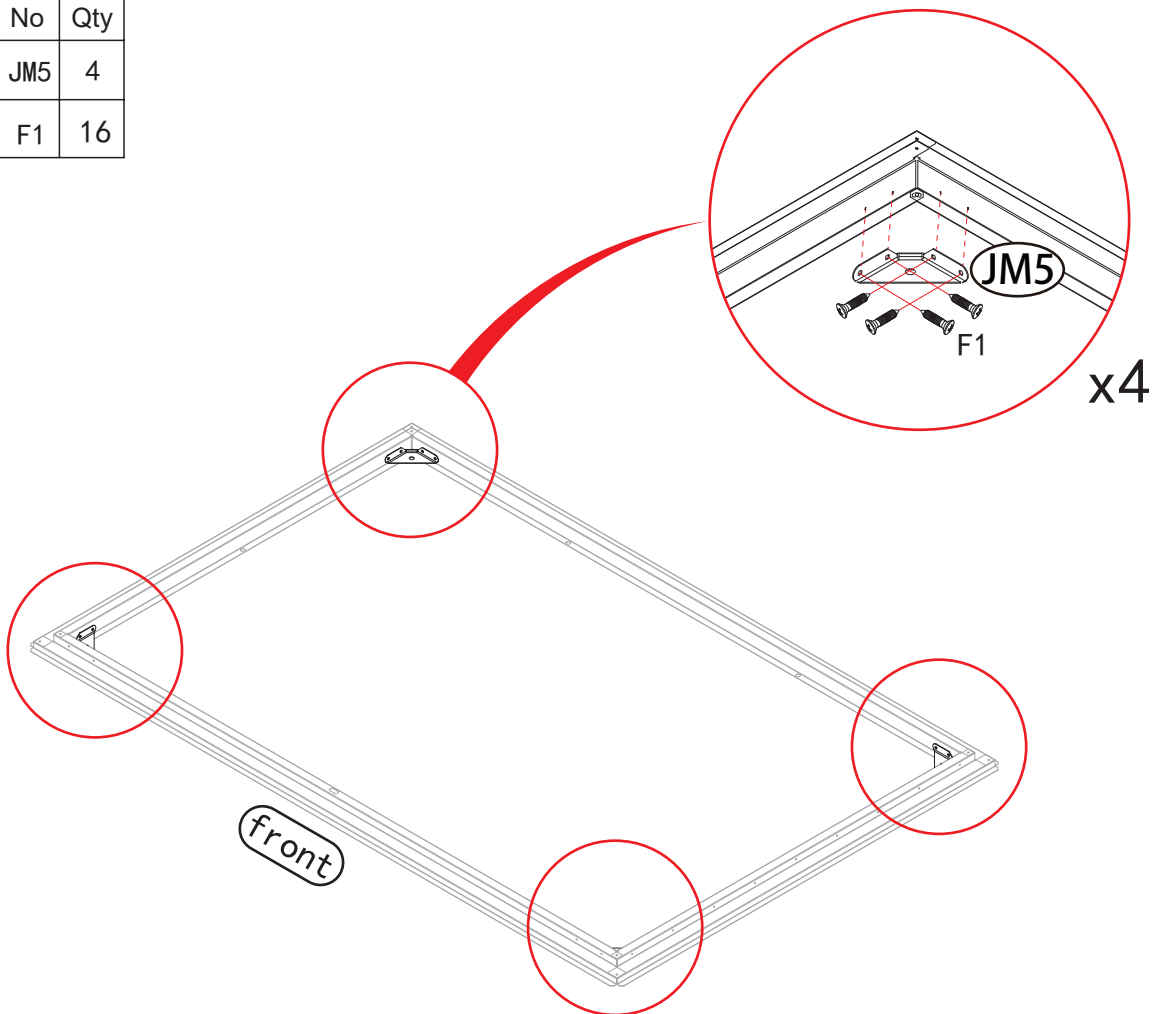
PARTS LIST



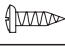
NO.	PART	Qty.
DC		2
DH		4
DF		1
DG		1
F3		32
F4		5
F1		158
F2		8
S1		50
S2		126
F6		4

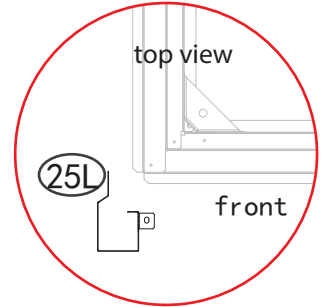
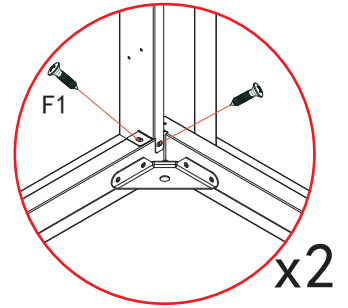
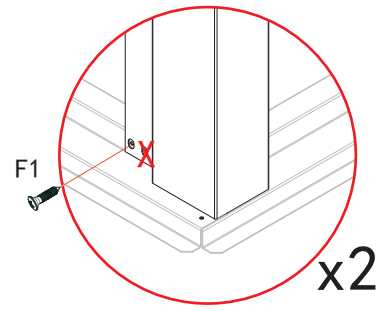
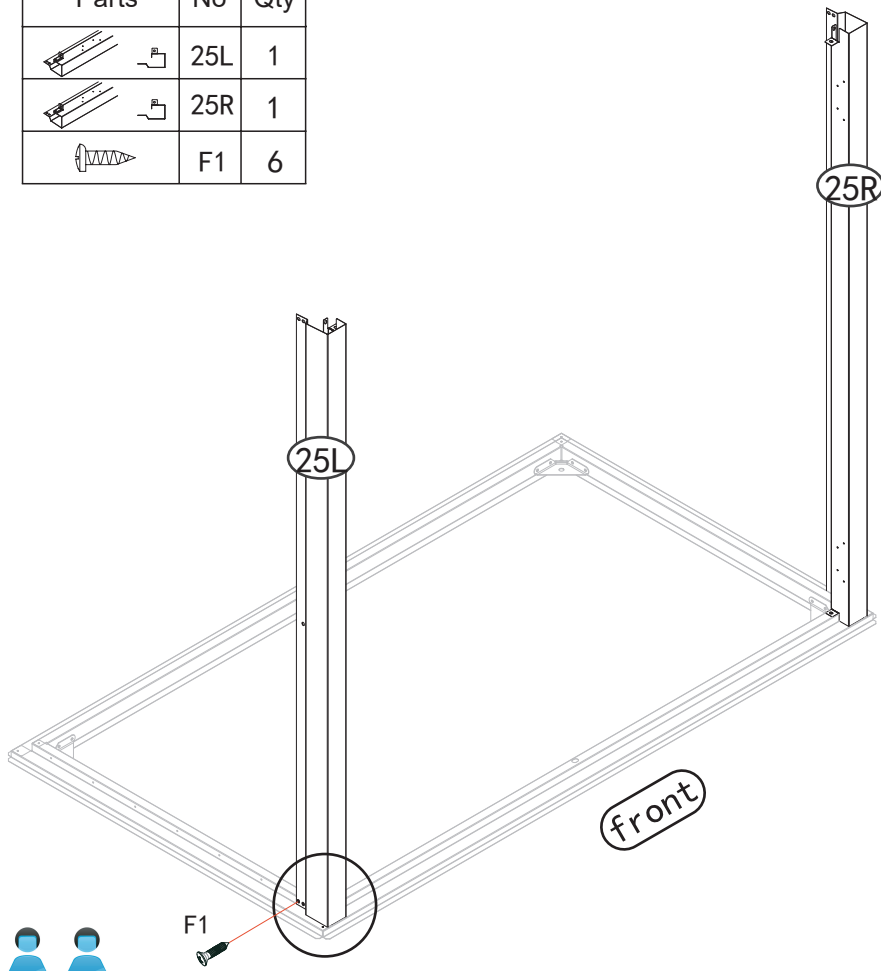
Parts	No	Qty
	3	1
	F1	4
	S2	4



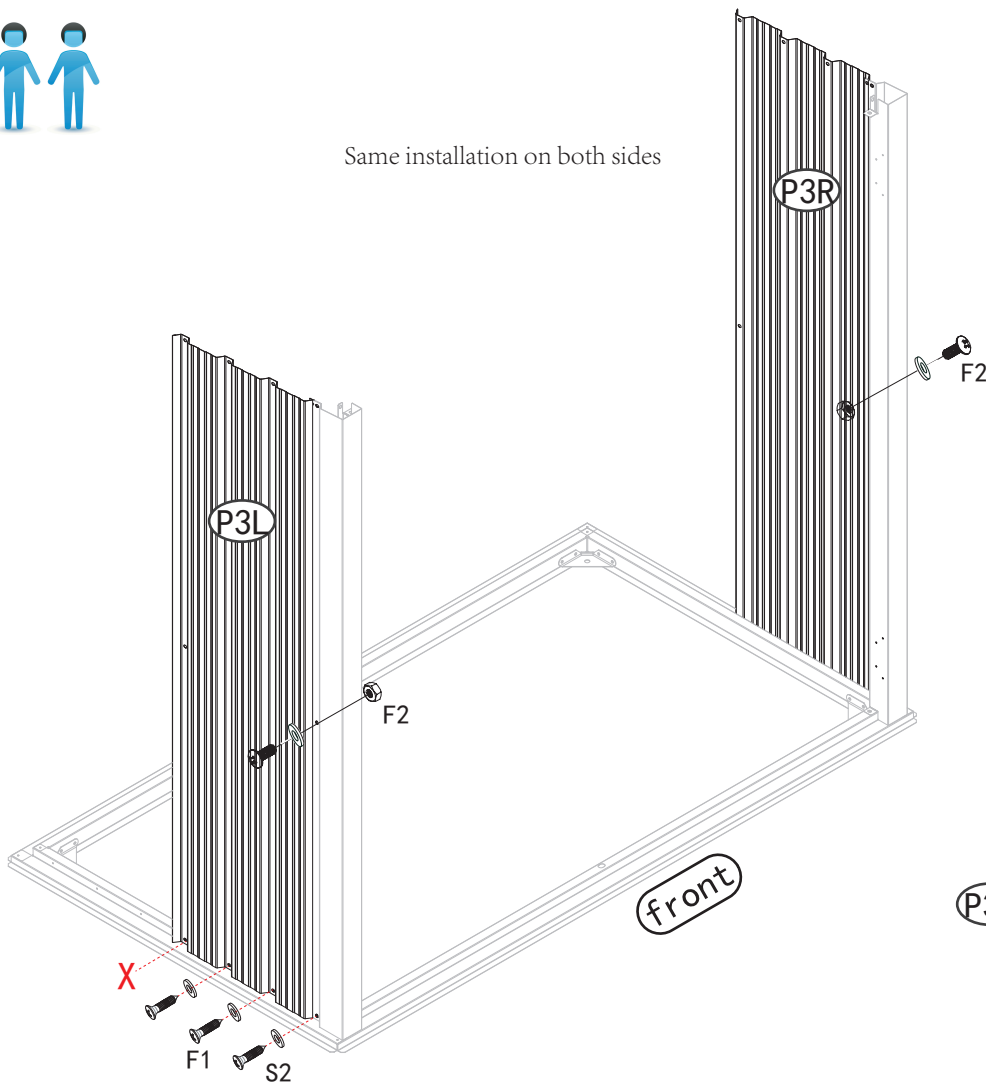
Parts	No	Qty
	JM5	4
	F1	16



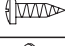




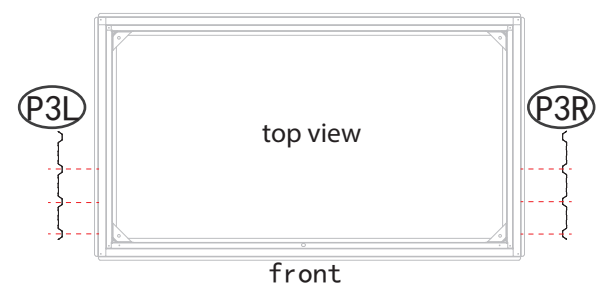
Parts	No	Qty
	25L	1
	25R	1
	F1	6

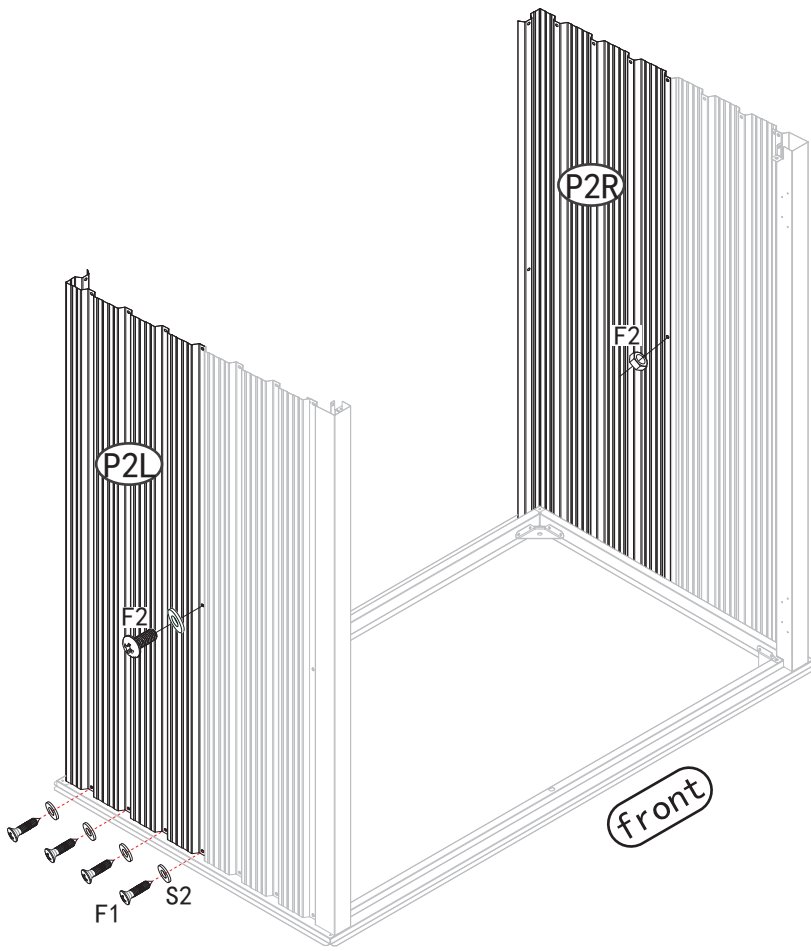







Same installation on both sides

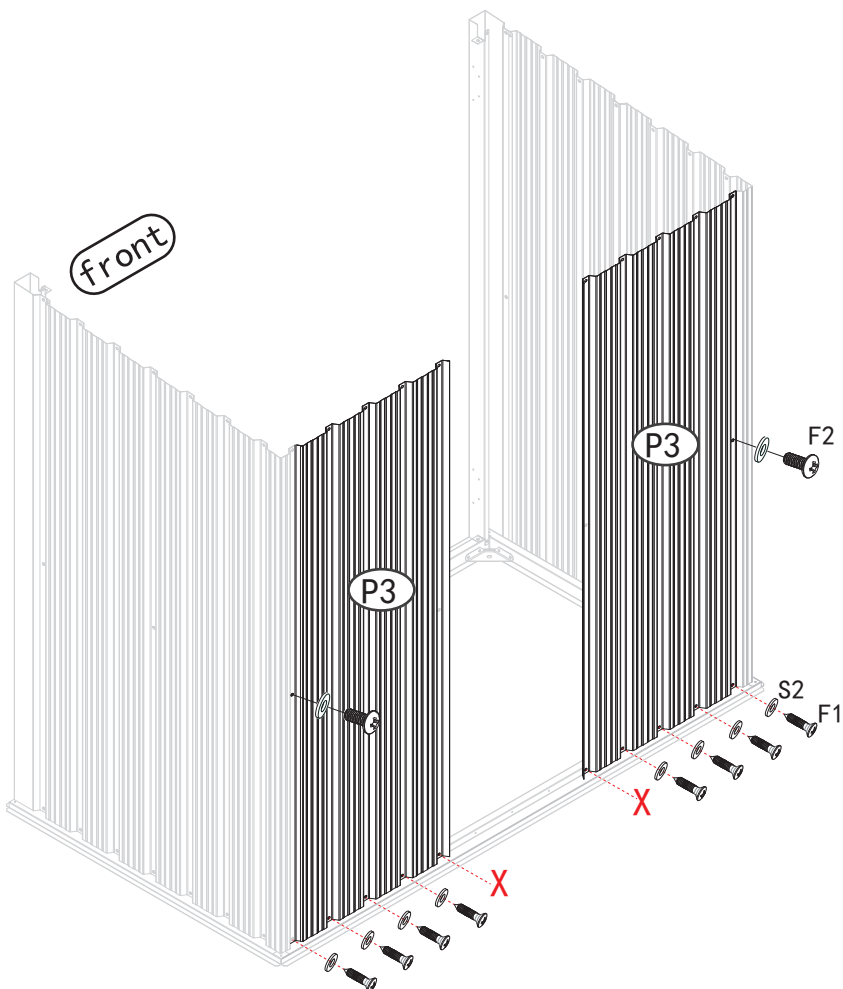
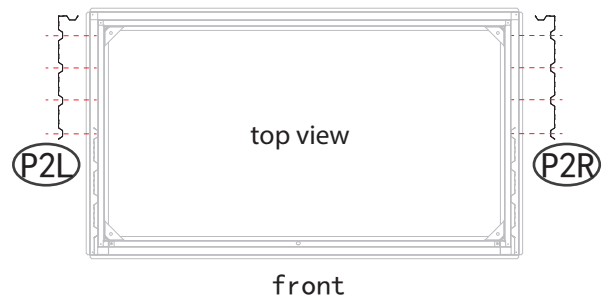






Parts	No	Qty
	P3L	1
	P3R	1
	F1	6
	S2	8
	F2	2

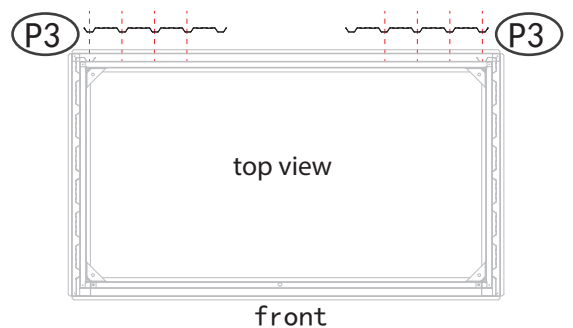




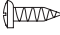



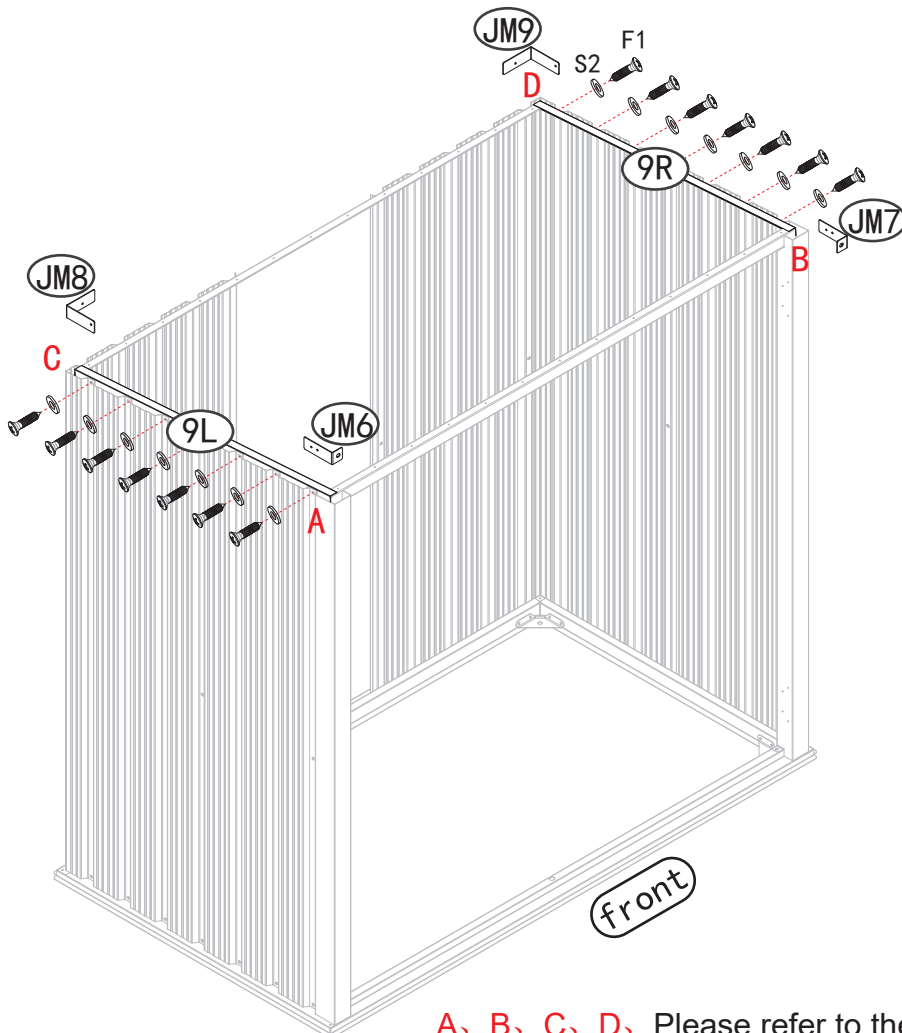
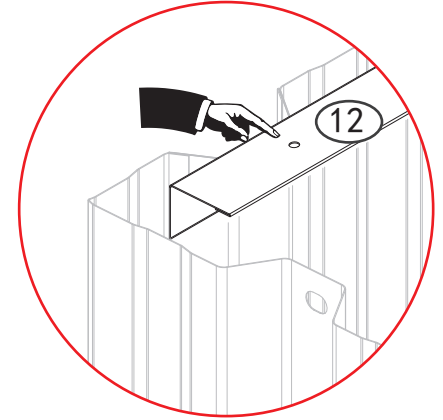
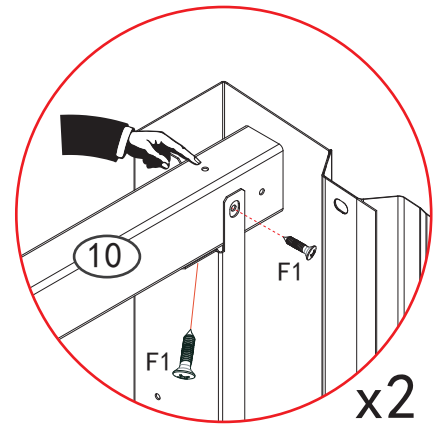
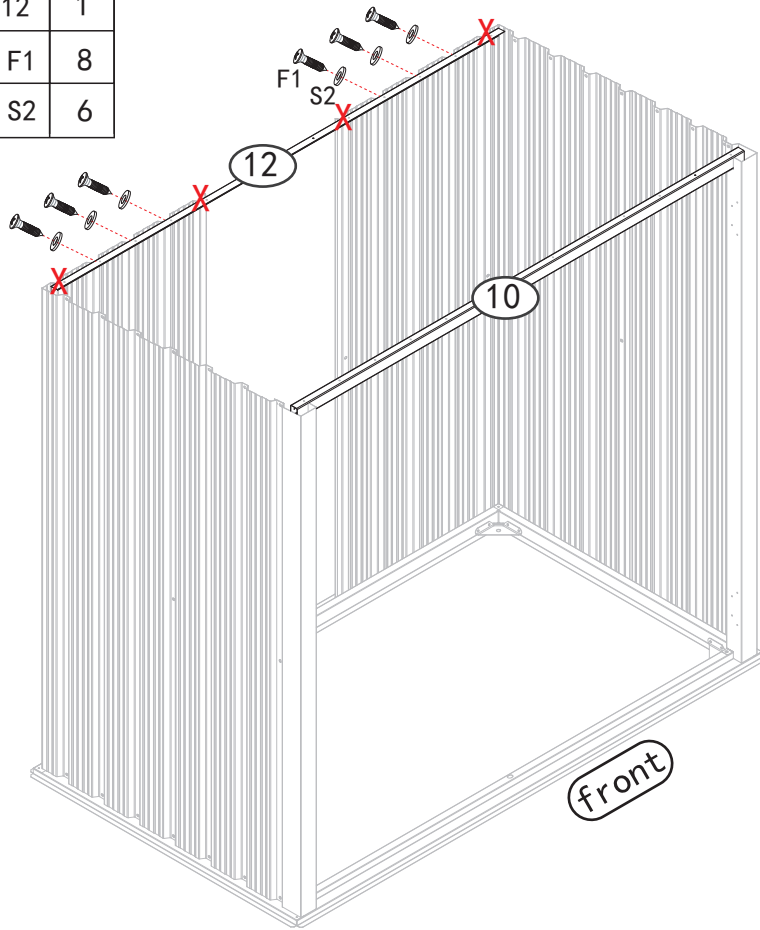
Parts	No	Qty
	P2L	1
	P2R	1
	F1	8
	S2	10
	F2	2











Parts	No	Qty
	P3	2
	F1	8
	S2	10
	F2	2

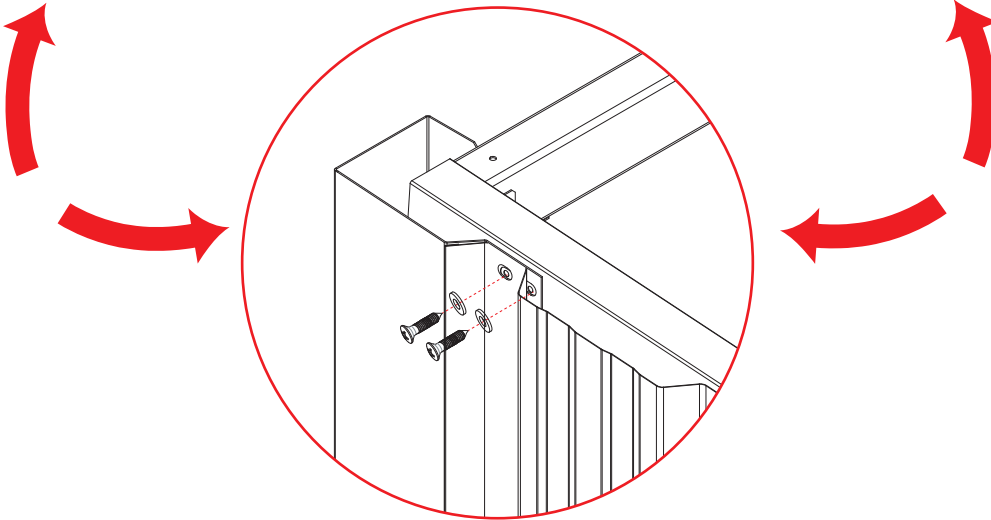
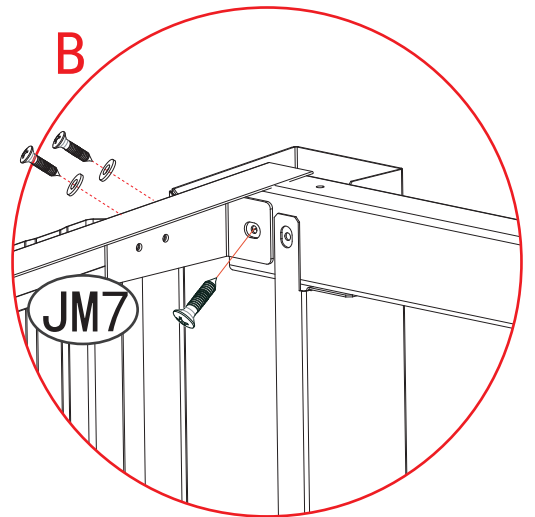
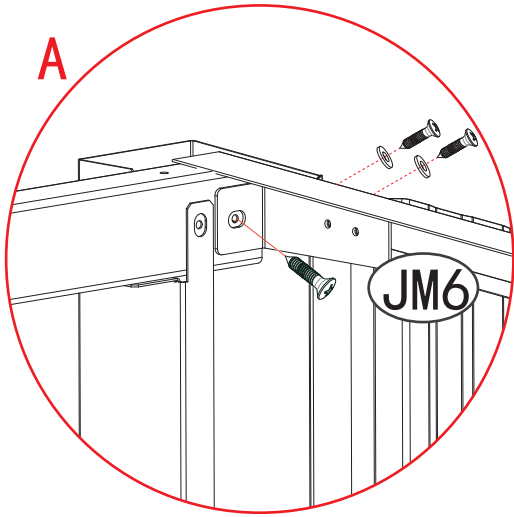


Parts	No	Qty
	10	1
	12	1
	F1	8
	S2	6

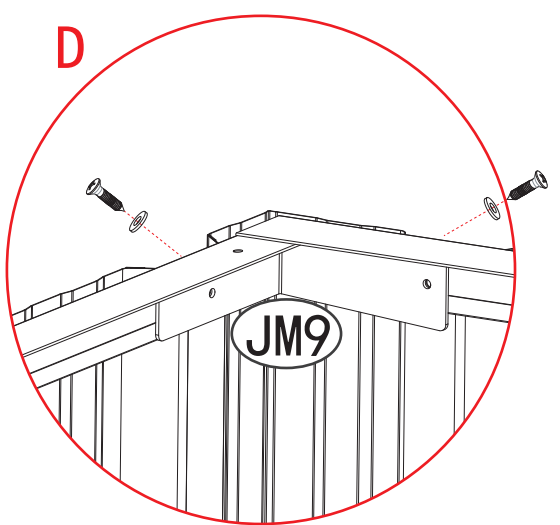
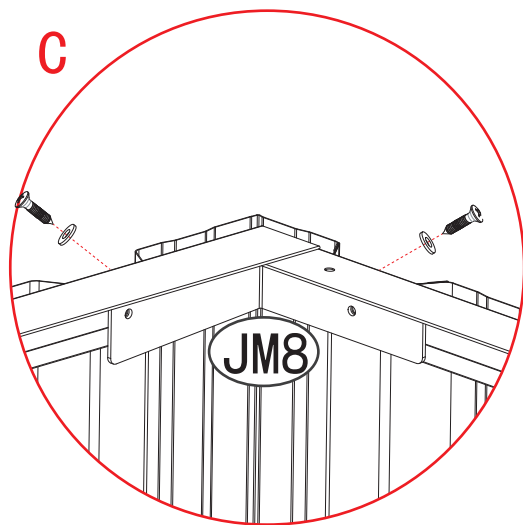


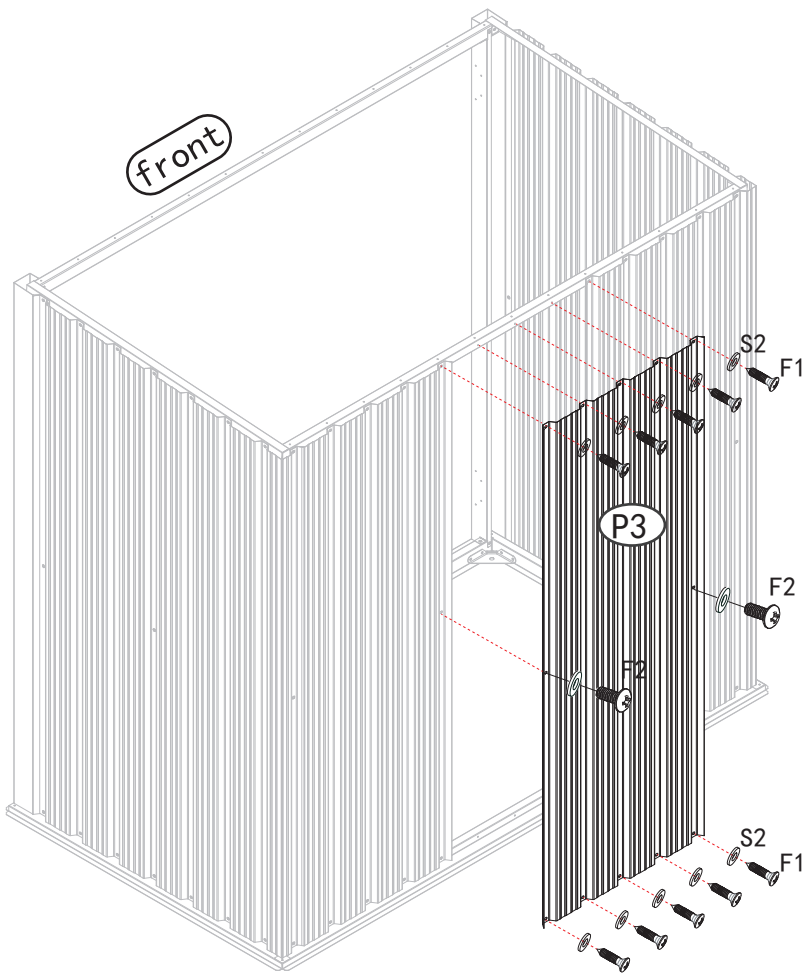
NO.	PART	Qty.
9L		1
9R		1
JM6		1
JM7		1
JM8		1
JM9		1
F1		20
S2		20


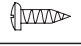


A、B、C、D、 Please refer to the next page for detailed installation steps

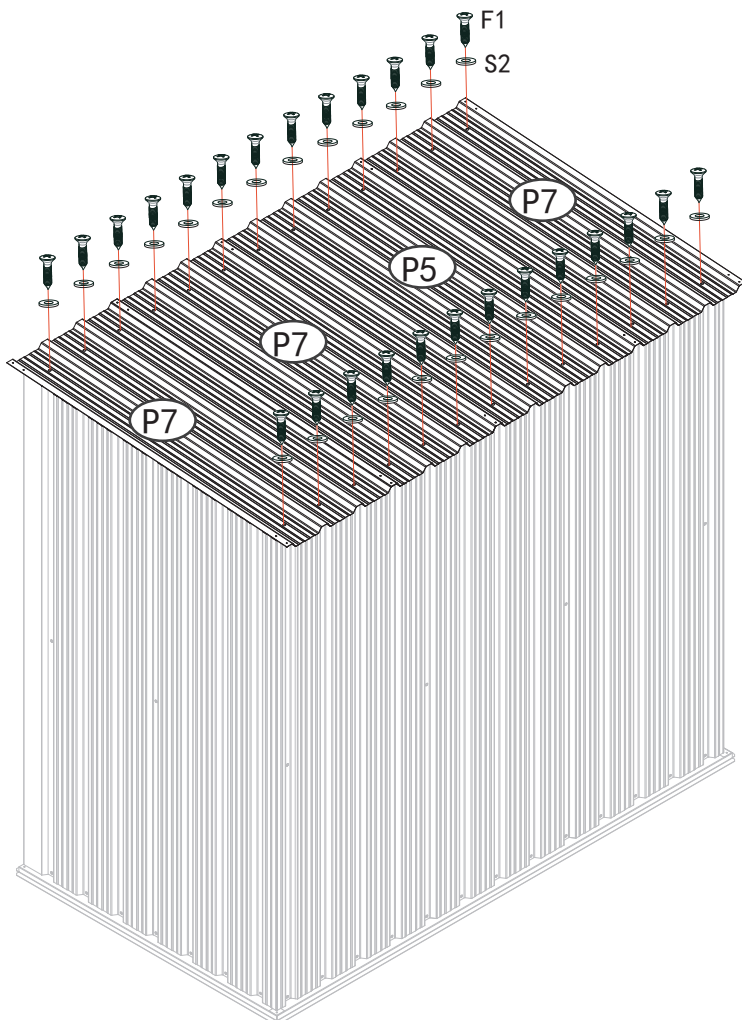
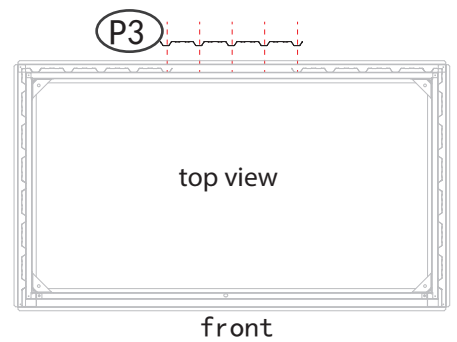






You can choose to install one F1 here, or you can choose to install two F1

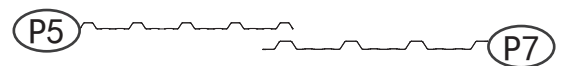




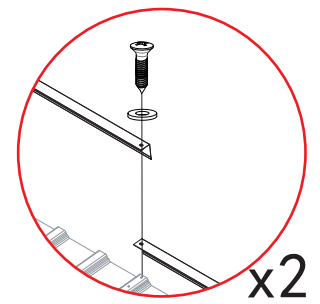
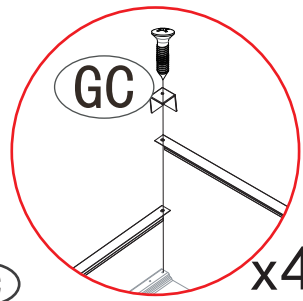
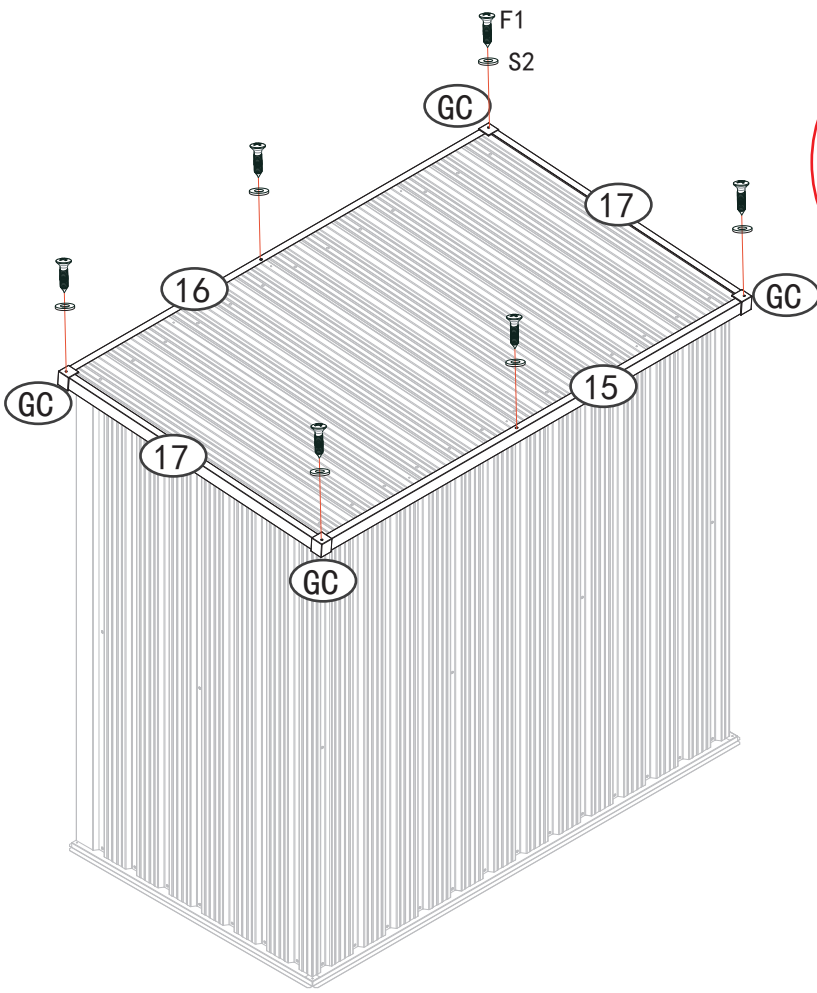
Parts	No	Qty
	P3	1
	F1	10
	S2	12
	F2	2



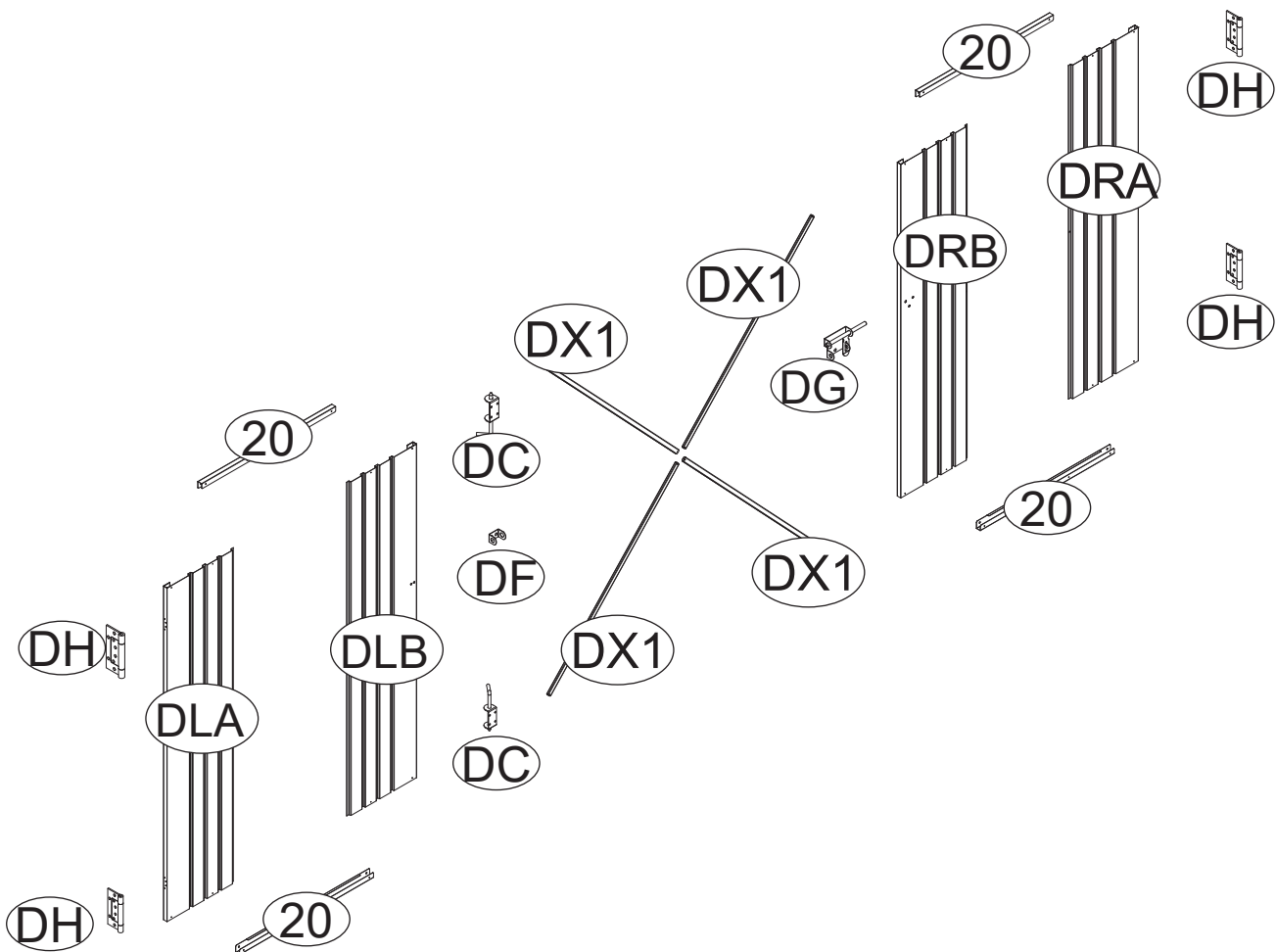
Parts	No	Qty
	P5	1
	P7	3
	F1	26
	S2	26

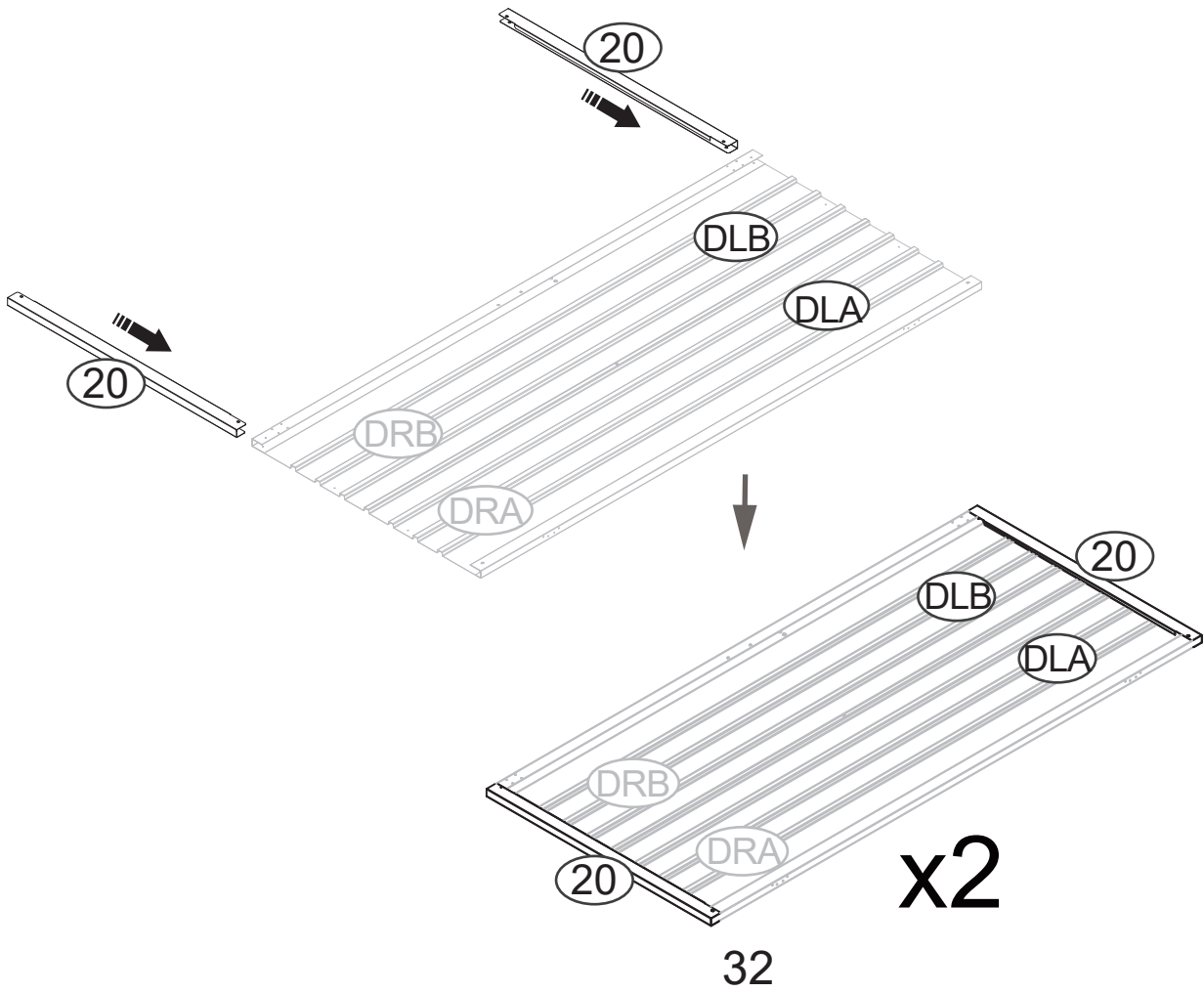


The two small holes should coincide

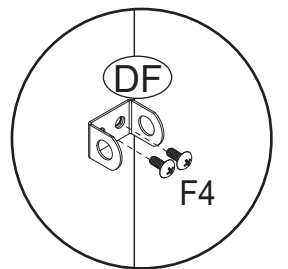
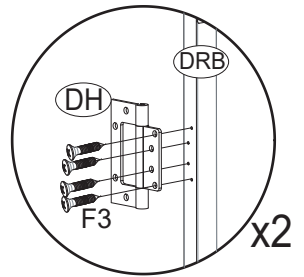
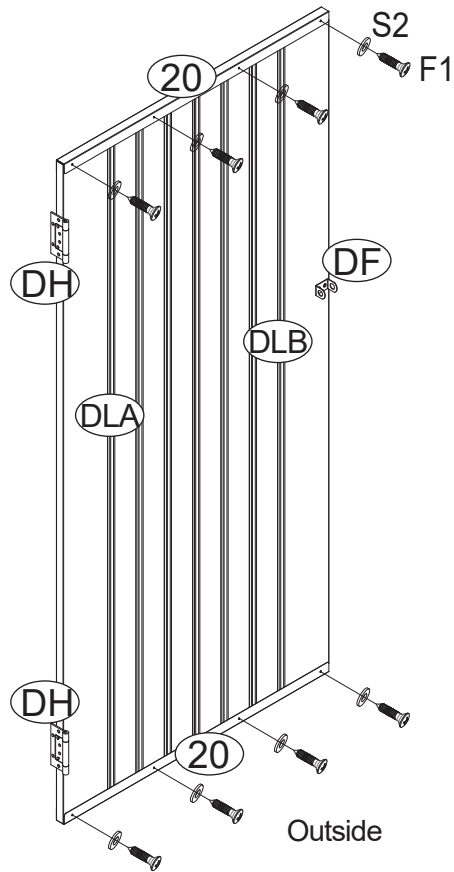
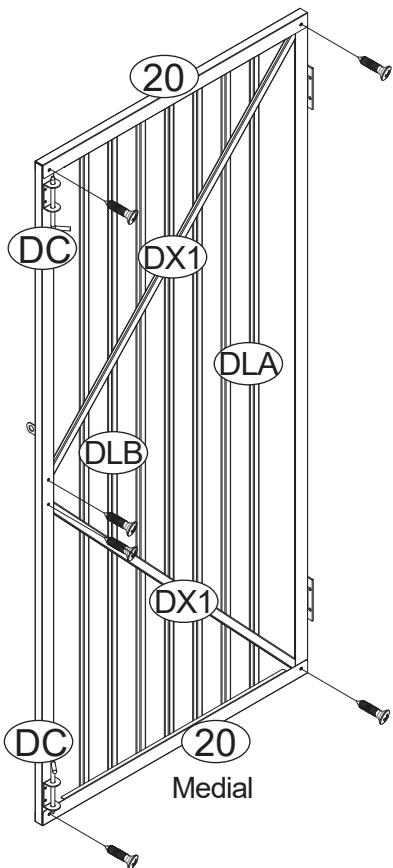
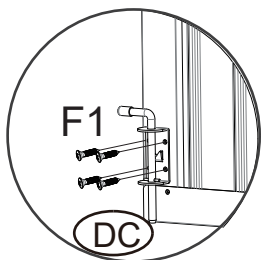
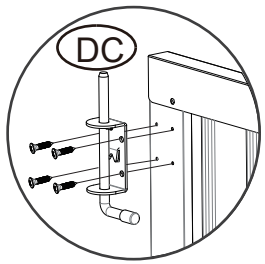






NO.	PART	Qty.
15		1
16		1
17		2
GC		4
F1		6
S2		6

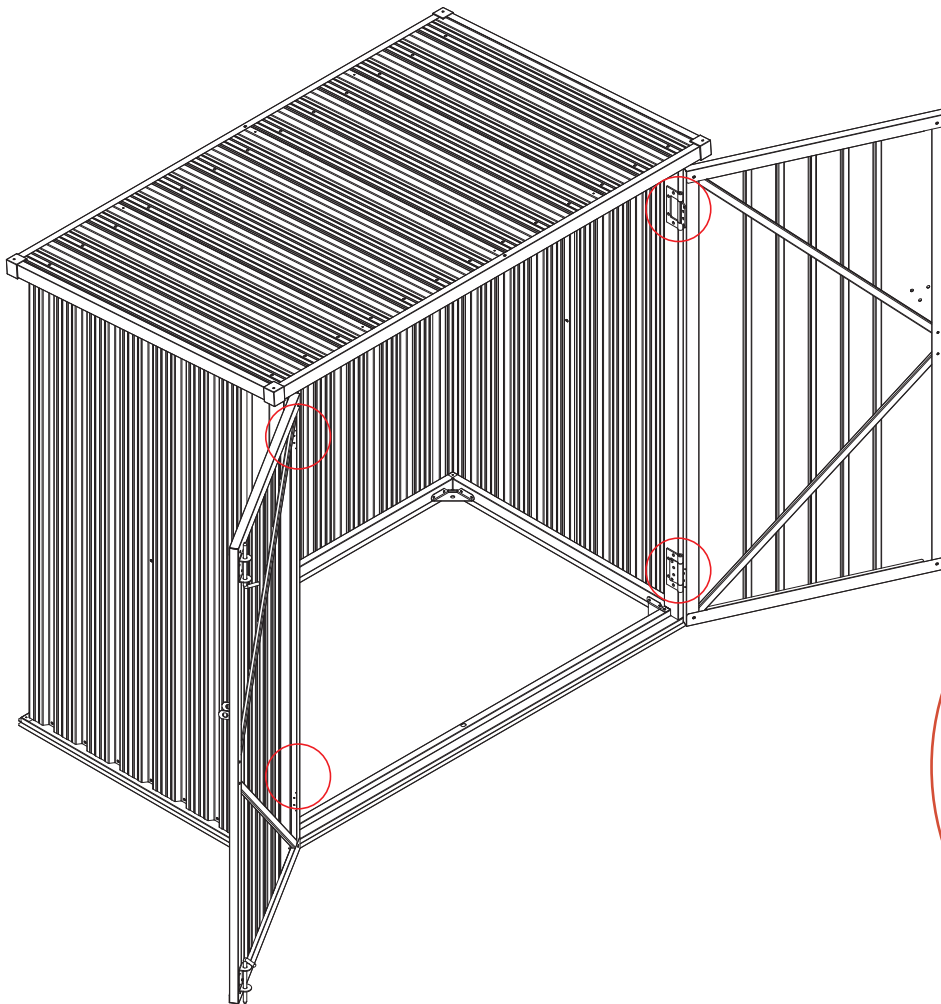
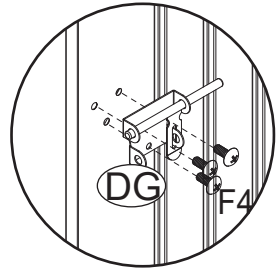
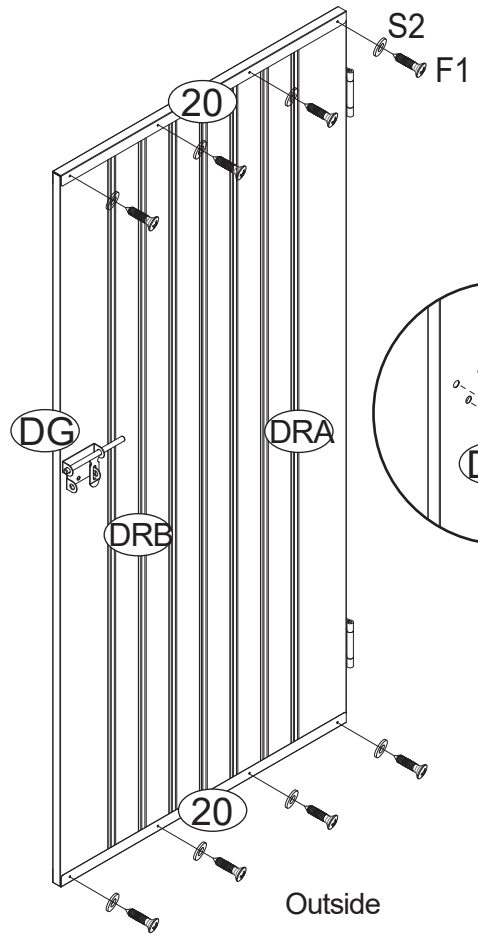
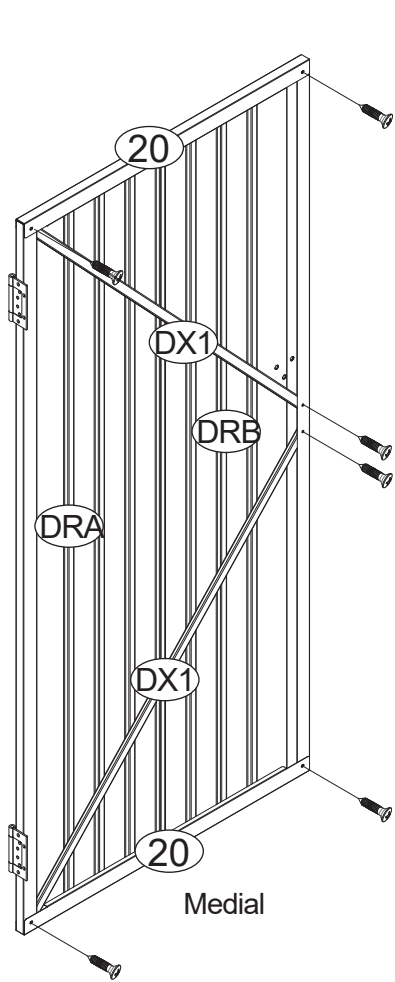
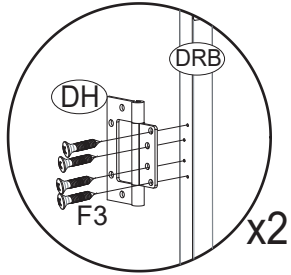





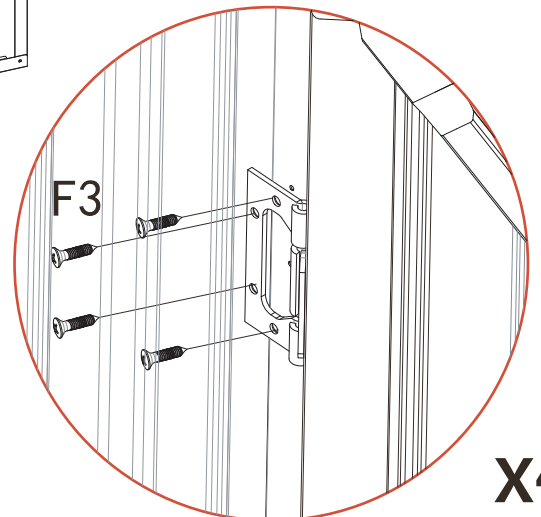
PART	NO.	Qty.
	F4	2
	F1	22
	F3	8
	S2	8



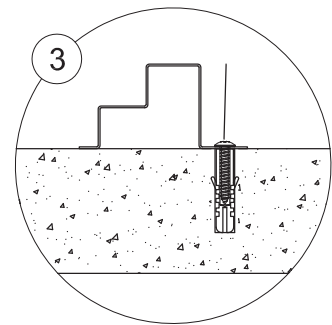
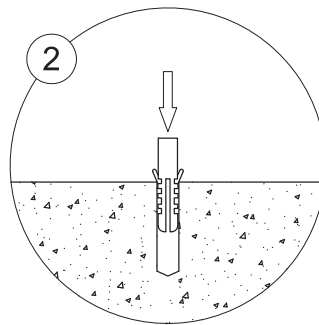
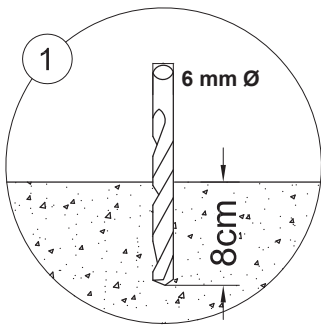
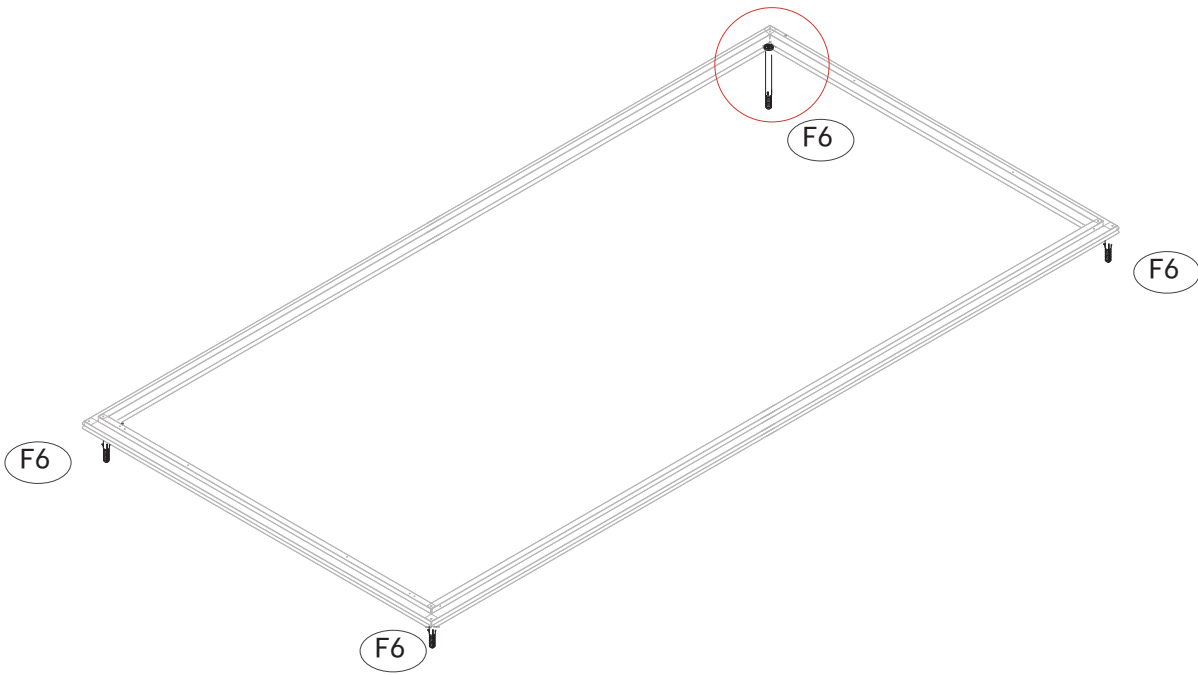
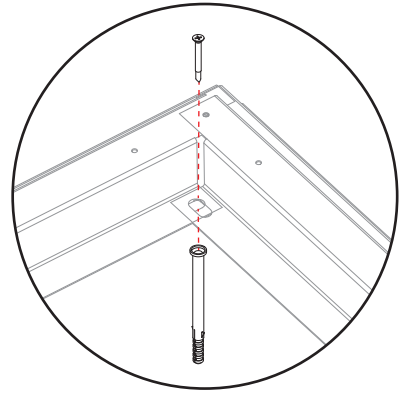
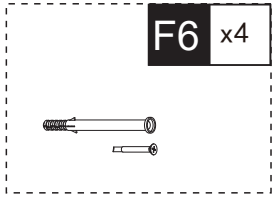
PART	NO.	Qty.
	F4	3
	F1	14
	F3	8
	S2	8

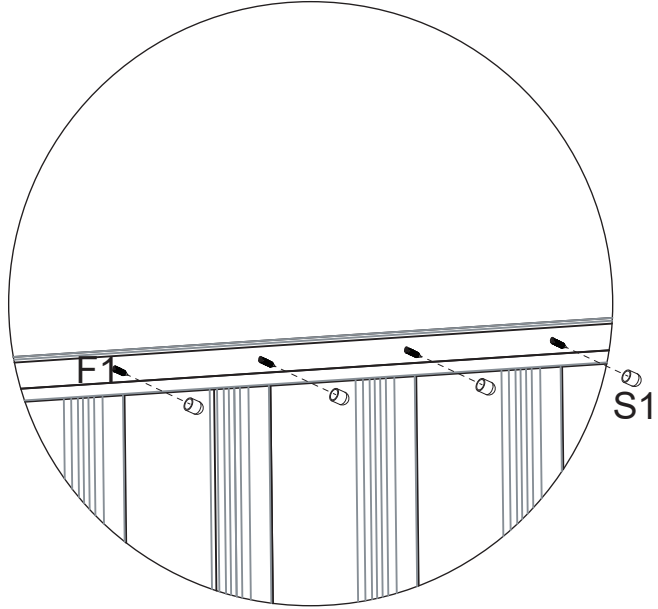
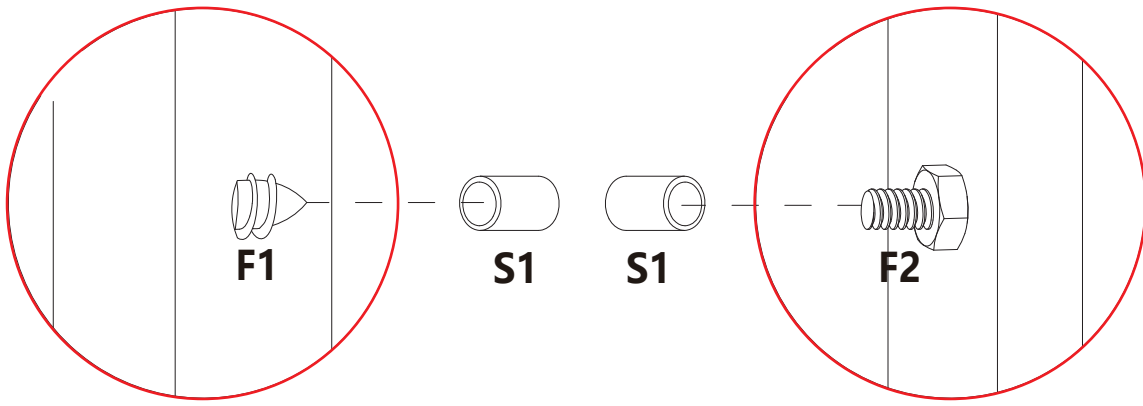


NO.	PART	Qty.
F3		16



x4





NO.	PART	Qty.
S1		50

