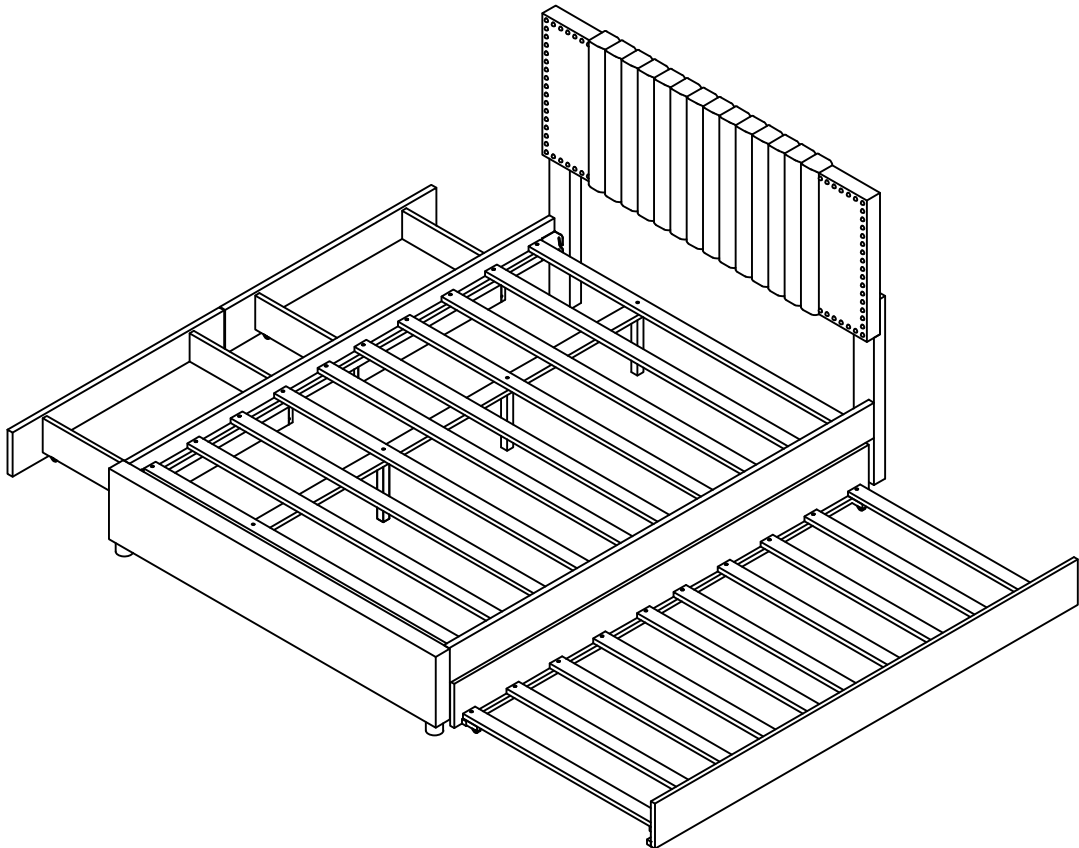
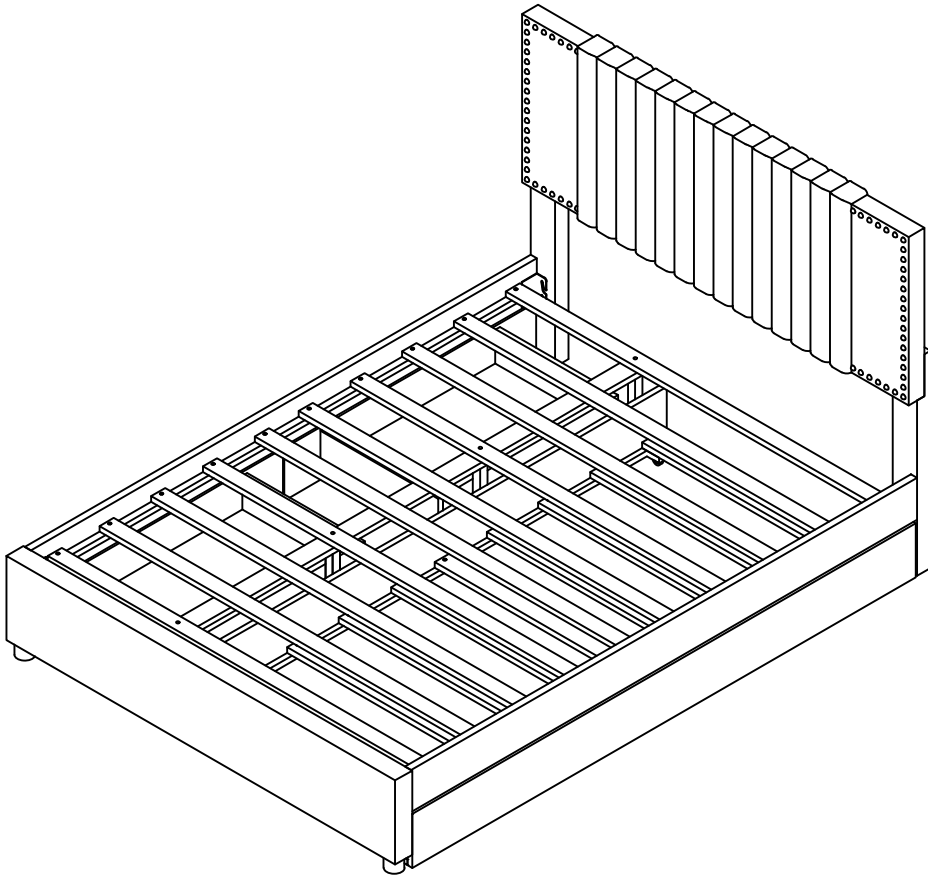
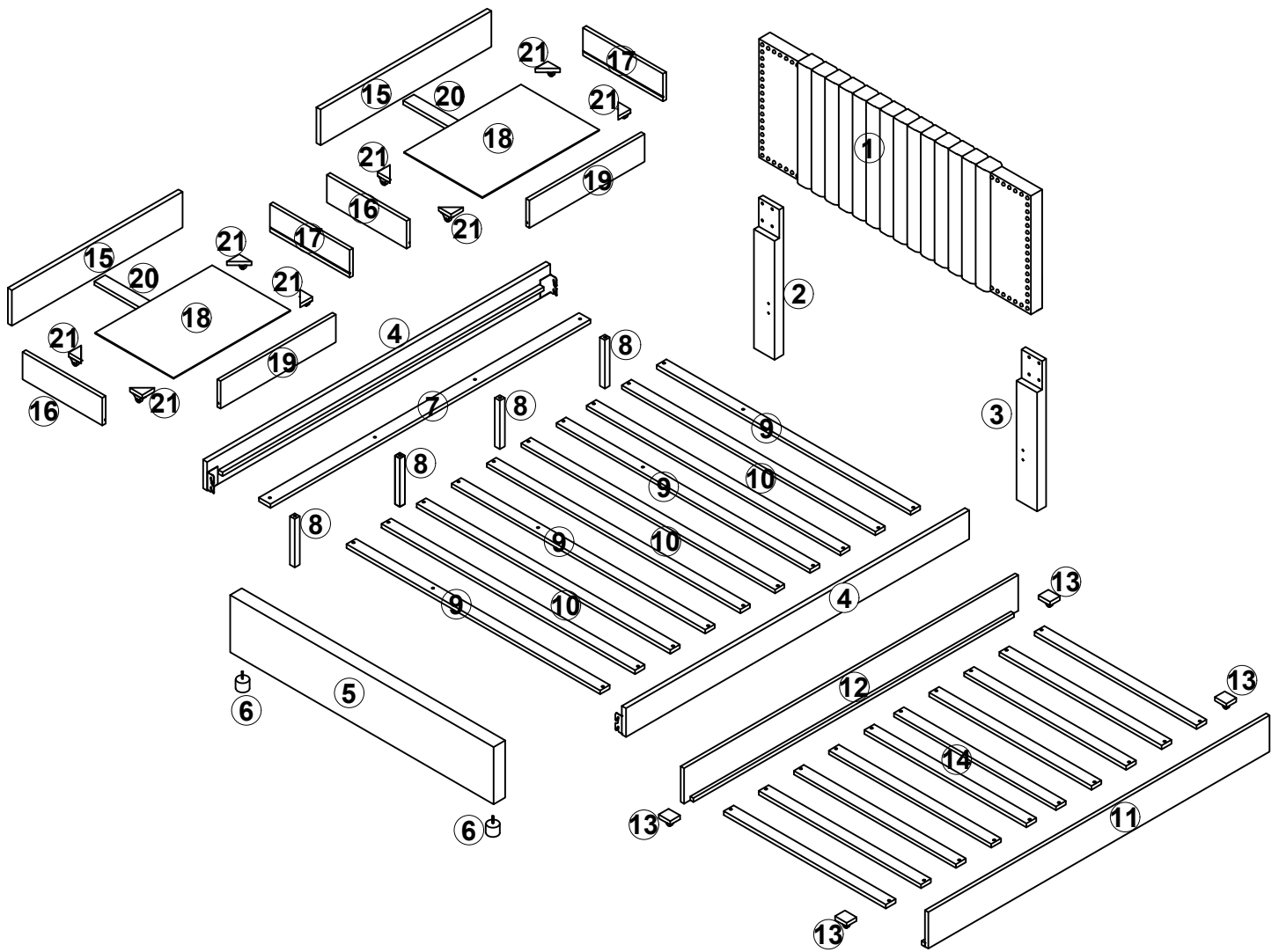


# ASSEMBLY INSTRUCTION

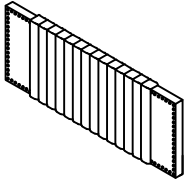


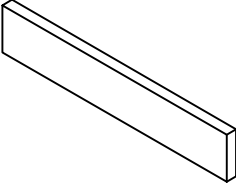

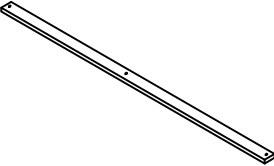
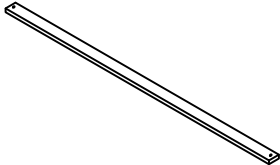

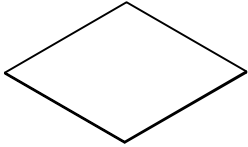

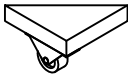
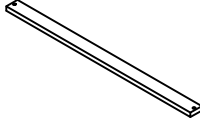


# Detail View - FULL BED WITH 2 DRAWERS AND TRUNDLE

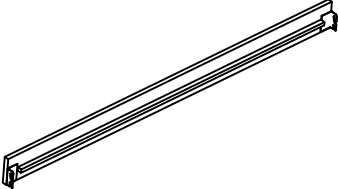
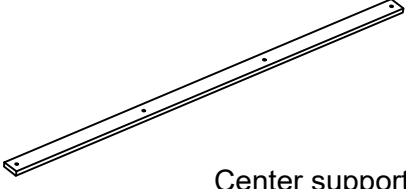

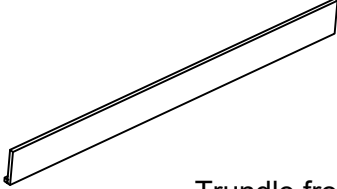
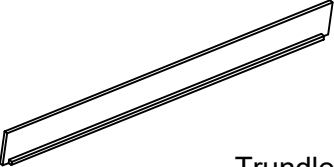
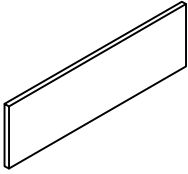

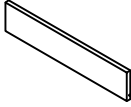
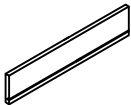


Identifying the Hardware - Identify the hardware using the illustrations below.

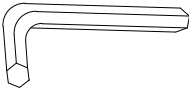
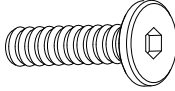
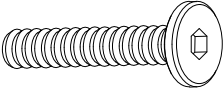


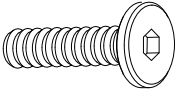

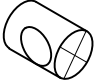


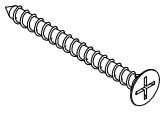
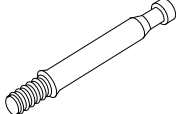

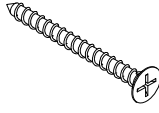
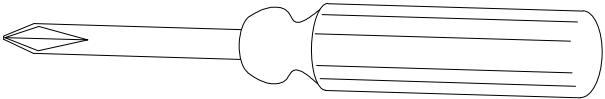
# Part Lists

<p><b>1</b></p>  <p>Headboard-1pc</p>	<p><b>2</b></p>  <p>Headboard left leg -1pc</p>
<p><b>3</b></p>  <p>Headboard right leg-1pc</p>	<p><b>5</b></p>  <p>Footboard - 1pc</p>
<p><b>6</b></p>  <p>Footboard leg -2pcs</p>	<p><b>9</b></p>  <p>Bed slat 1 - 4pcs</p>
<p><b>10</b></p>  <p>Bed slat 2 -6pcs</p>	<p><b>13</b></p>  <p>Wheel support -4pcs</p>
<p><b>18</b></p>  <p>Drawer bottom -2pcs</p>	<p><b>20</b></p>  <p>Drawer bottom support bar -2pcs</p>
<p><b>21</b></p>  <p>Corner block -8pcs</p>	<p><b>14</b></p>  <p>Trundle slat -10pcs</p>

# Part Lists

4		7	
Side rail - 2pcs		Center support bar -1pc	
8		11	
Center support leg - 4pcs		Trundle front panel -1pc	
12		15	
Trundle back panel -1pc		Drawer front -2pcs	
16		17	
Drawer side right -2pcs		Drawer side left -2pcs	
19			
Drawer back -2pcs			

# HARDWARE LISTS

<b>A</b>  4mm Allen key (1pc)	<b>B</b>  Ø5/16" x 20mm Hex-head bolt (8pcs)
<b>C</b>  Ø5/16" x 40mm Hex-head bolt (4pcs)	<b>D</b>  Ø5/16" Spring washer (12pcs)
<b>E</b>  Ø5/16" Flat washer(12pcs)	<b>F</b>  Ø1/4" x 45mm Hex-head bolt (4pcs)
<b>G</b>  Ø1/4" x 50mm Hex-head bolt (8pcs)	<b>H</b>  Ø1/4" Barrel nut (8pcs)
<b>I</b>  Ø1/4" Spring washer (4pcs)	<b>J</b>  Ø1/4" Flat washer(4pcs)
<b>K</b>  Ø4 x 30mm Wood screw (64pcs)	<b>L</b>  Cam bolt (8pcs)
<b>M</b>  Cam lock(8pcs)	<b>N</b>  Ø4 x 40mm Wood screw (8pcs)
 <b>ASSEMBLY TOOLS REQUIRED ( NOT INCLUDED )</b>	



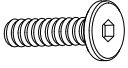
Read this instruction carefully. See hardware and furniture part list for guidance. Be sure all parts are complete, before you assemble. Place all wooden furniture parts on a clean and flat soft surface to prevent from being scratched. Follow the figure to start assembling.

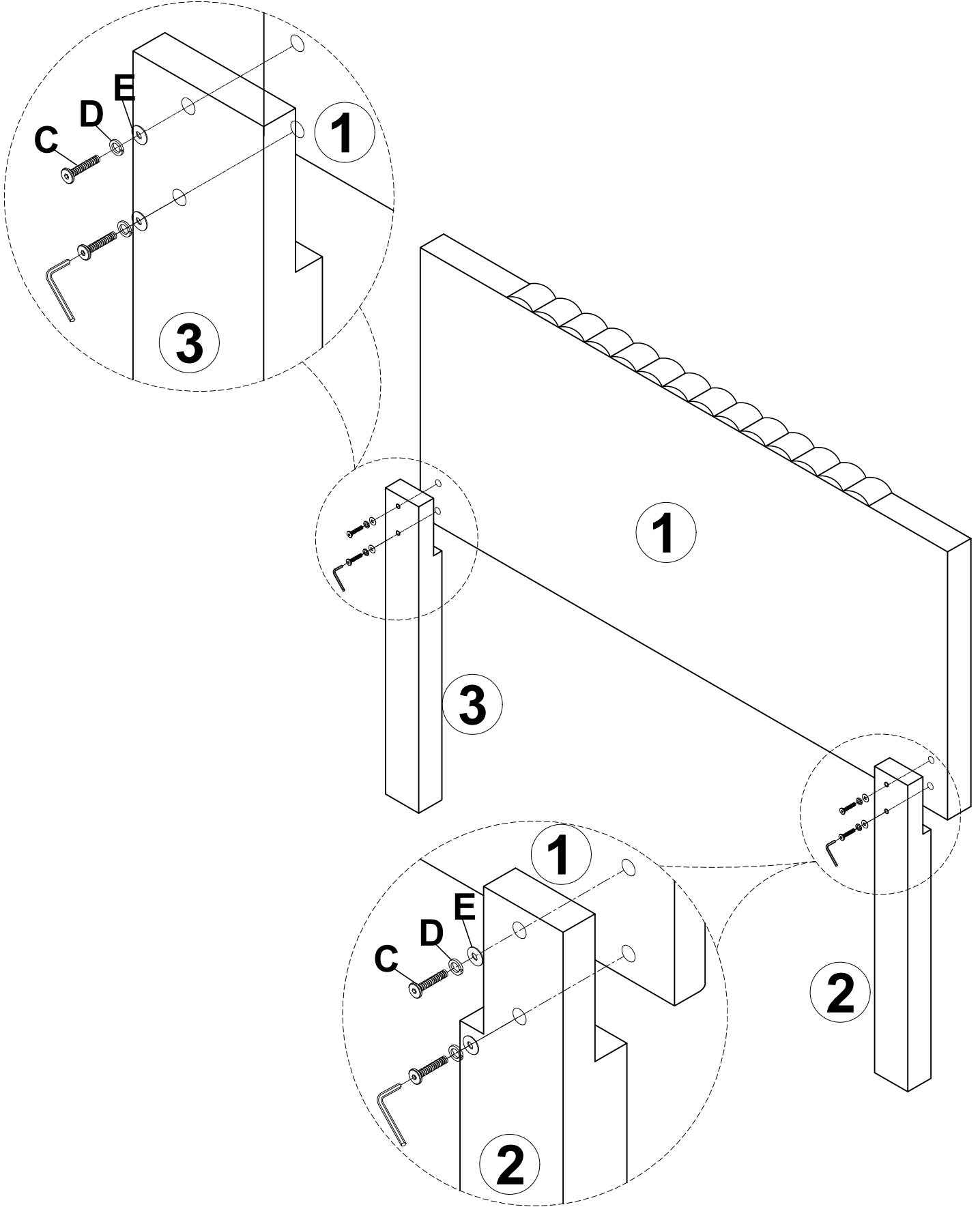
### CAUTIONS :

1. Do not FULLY - TIGHTEN the nut or nut bolt until all nut or bolt is ready assembled.
2. Do not OVER - TIGHTEN the nut or bolt to avoid causing damages to the thread.
3. Keep all hardware parts out of reach of children.

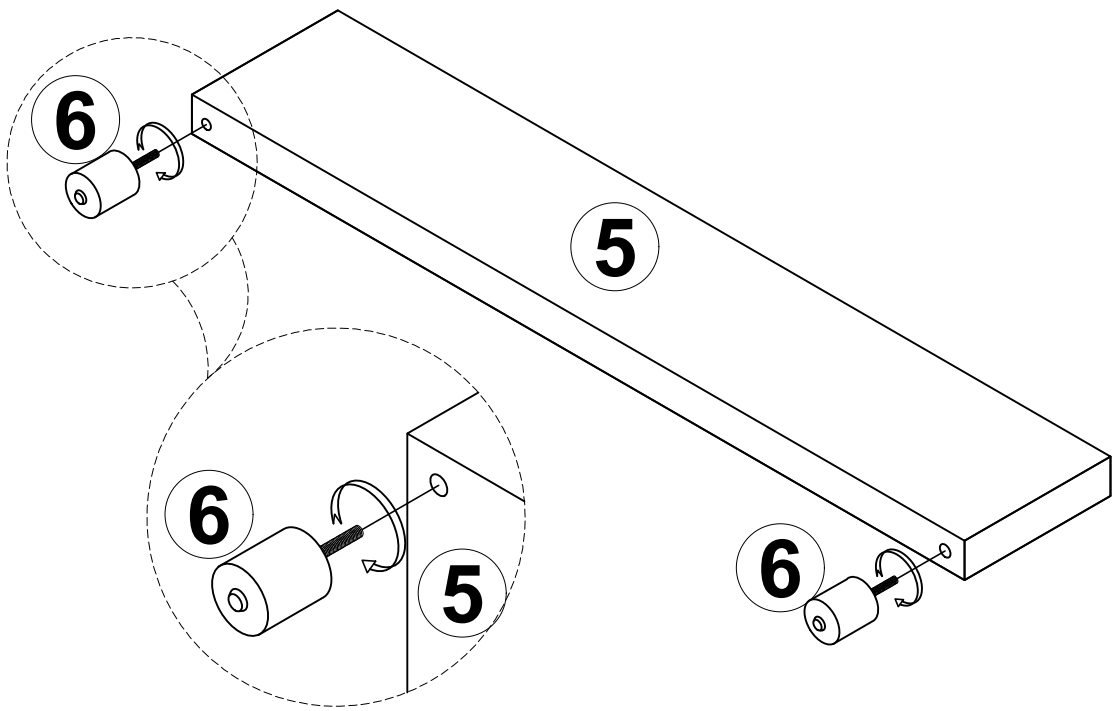
**NOTE : THE LIST AND QUANTITY SHOWN ARE FOR 1 UNIT ASSEMBLY.**

# STEP 1



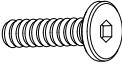
<b>E</b>		<b>D</b>		<b>C</b>	
<b>4PCS</b>		<b>4PCS</b>		<b>4PCS</b>	

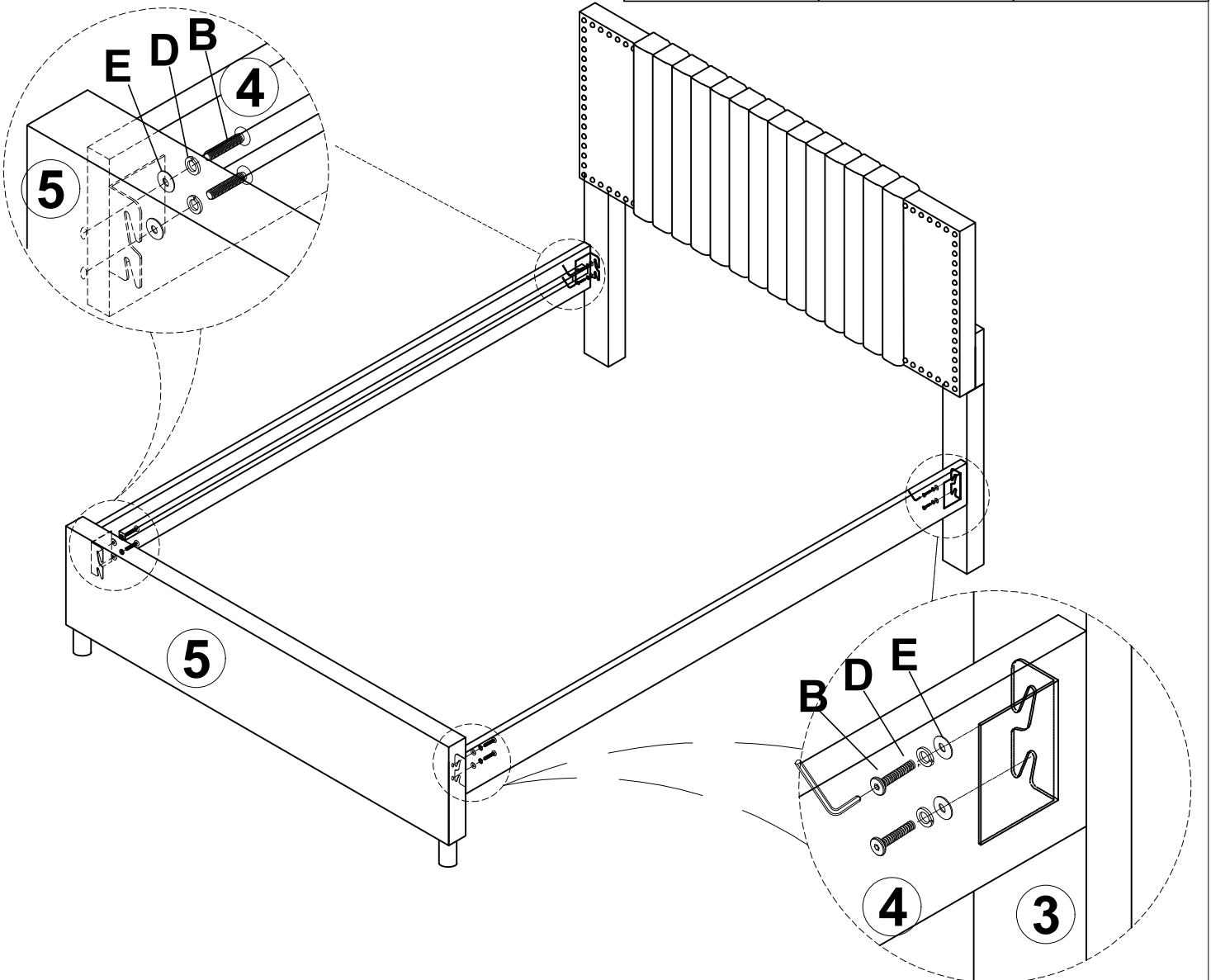


**STEP 2**



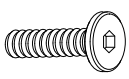


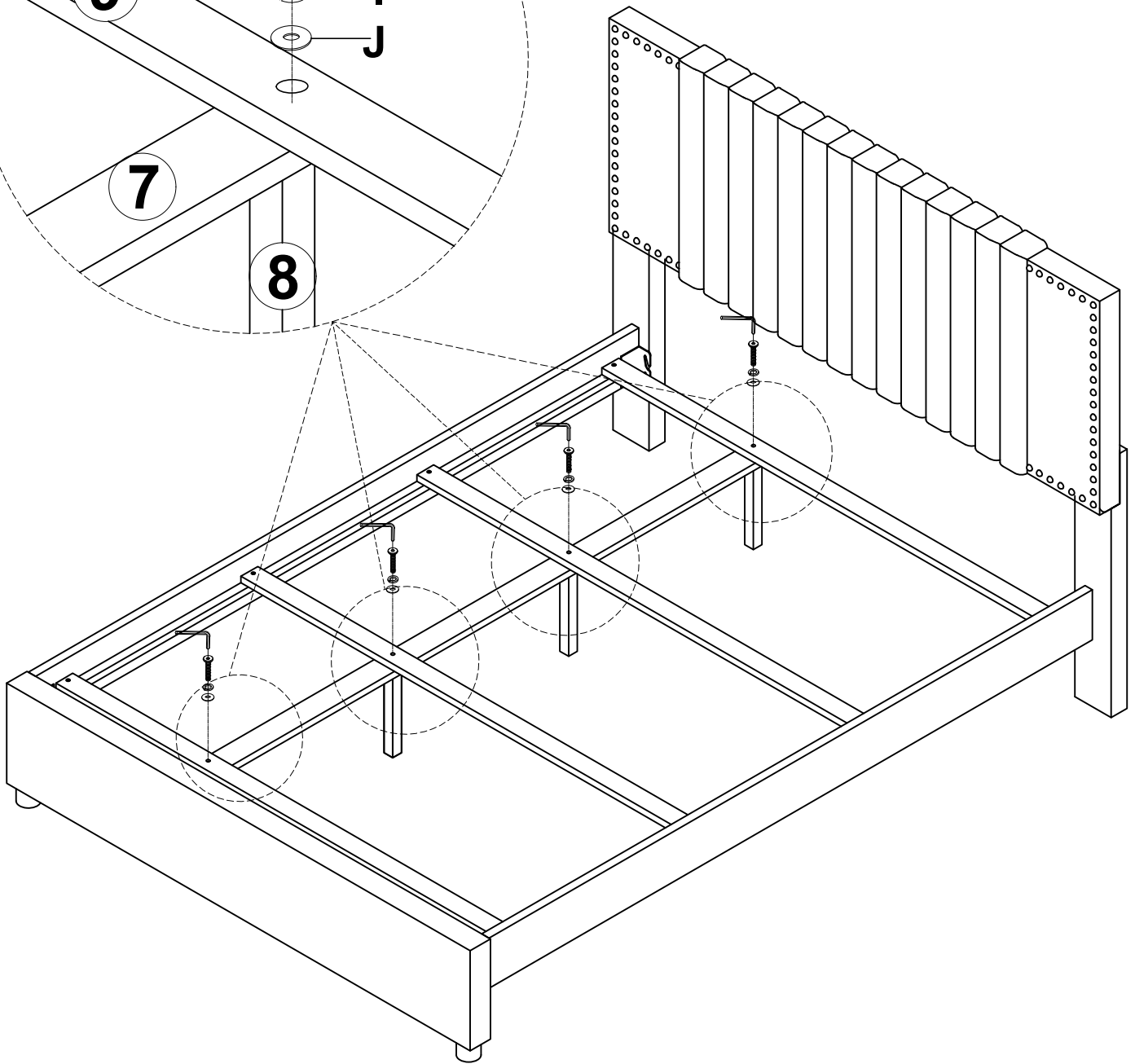
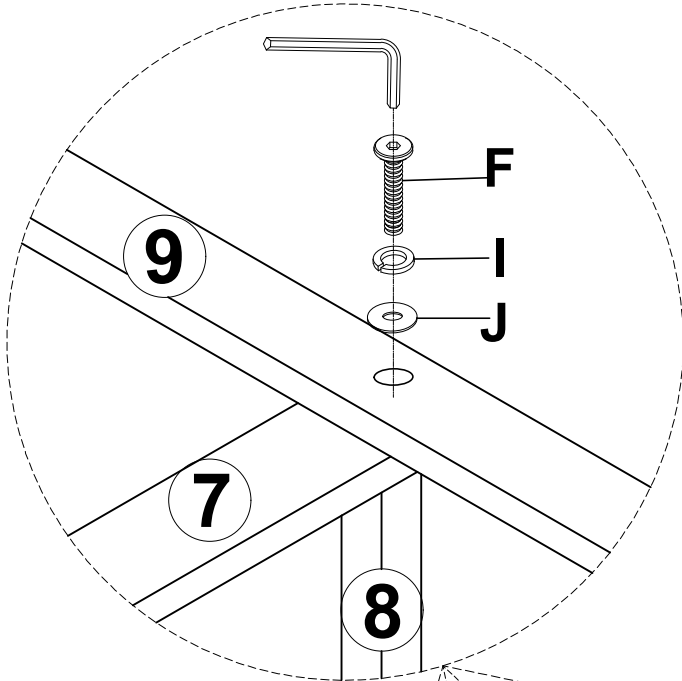
**STEP 3**

<b>E</b>		<b>D</b>		<b>B</b>	
<b>8PCS</b>		<b>8PCS</b>		<b>8PCS</b>	



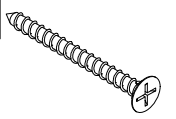
**STEP 4**

<b>J</b> 	<b>I</b> 	<b>F</b> 
<b>4PCS</b>	<b>4PCS</b>	<b>4PCS</b>

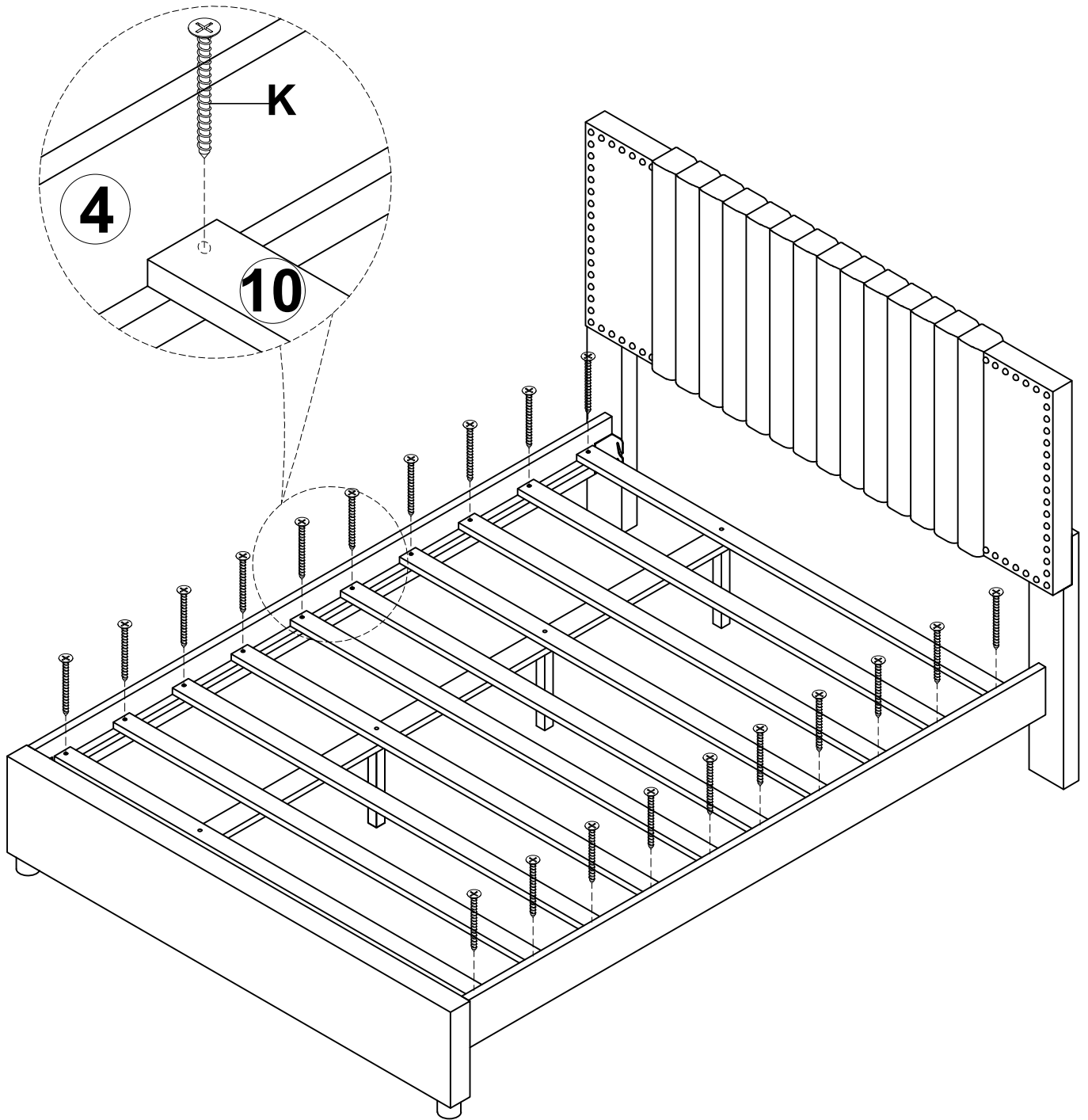


# STEP 5

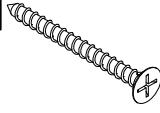
K

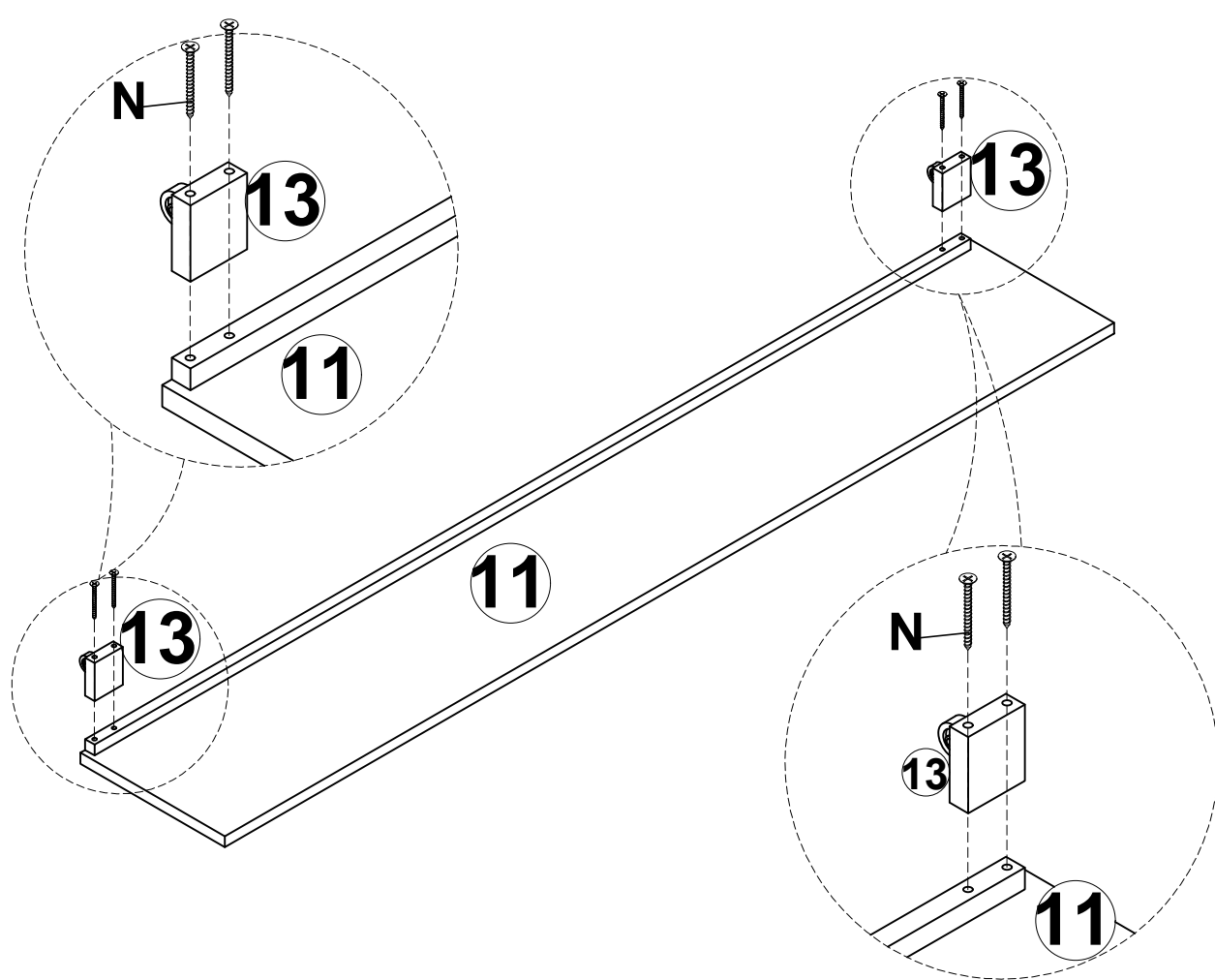
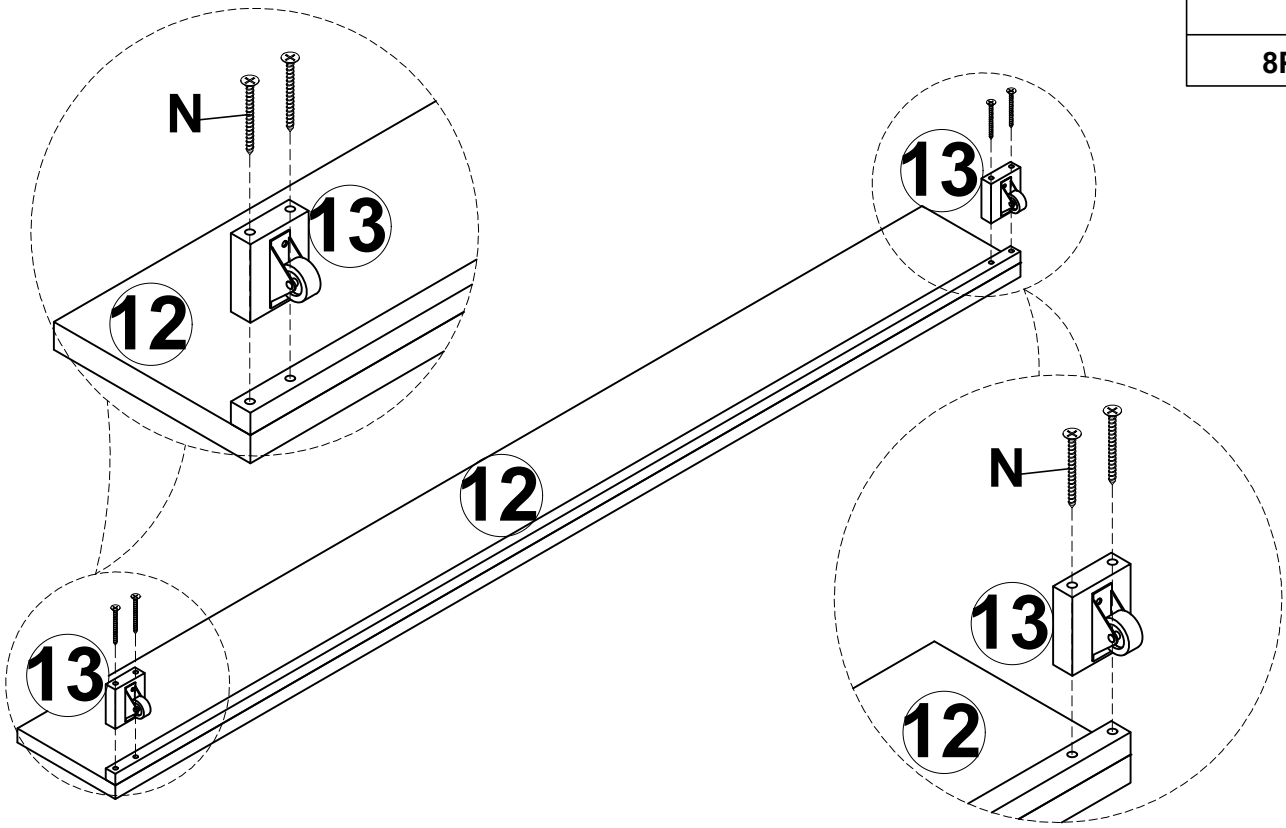


20PCS

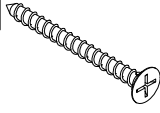


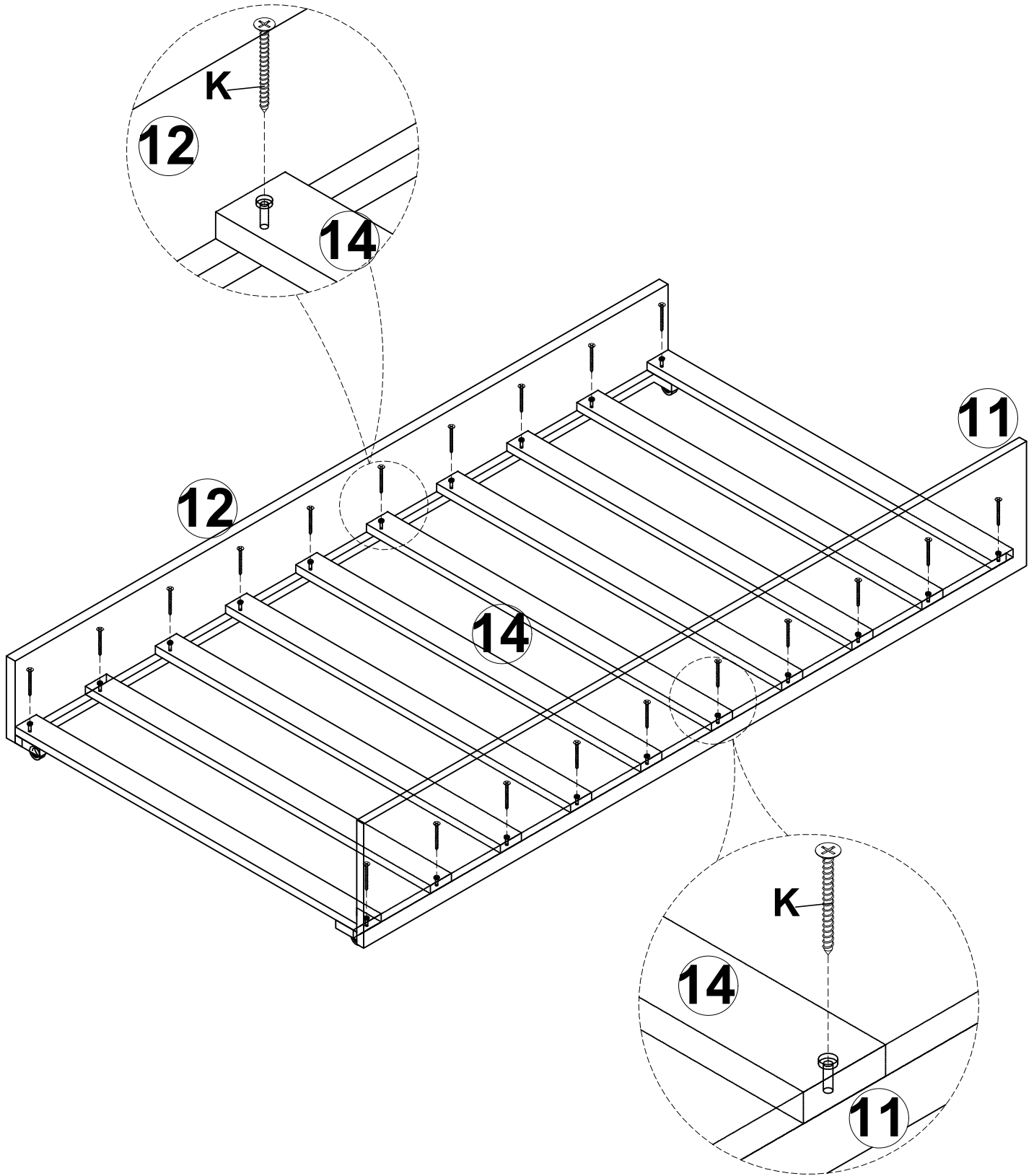
**STEP 6**

<b>K</b>	
<b>8PCS</b>	

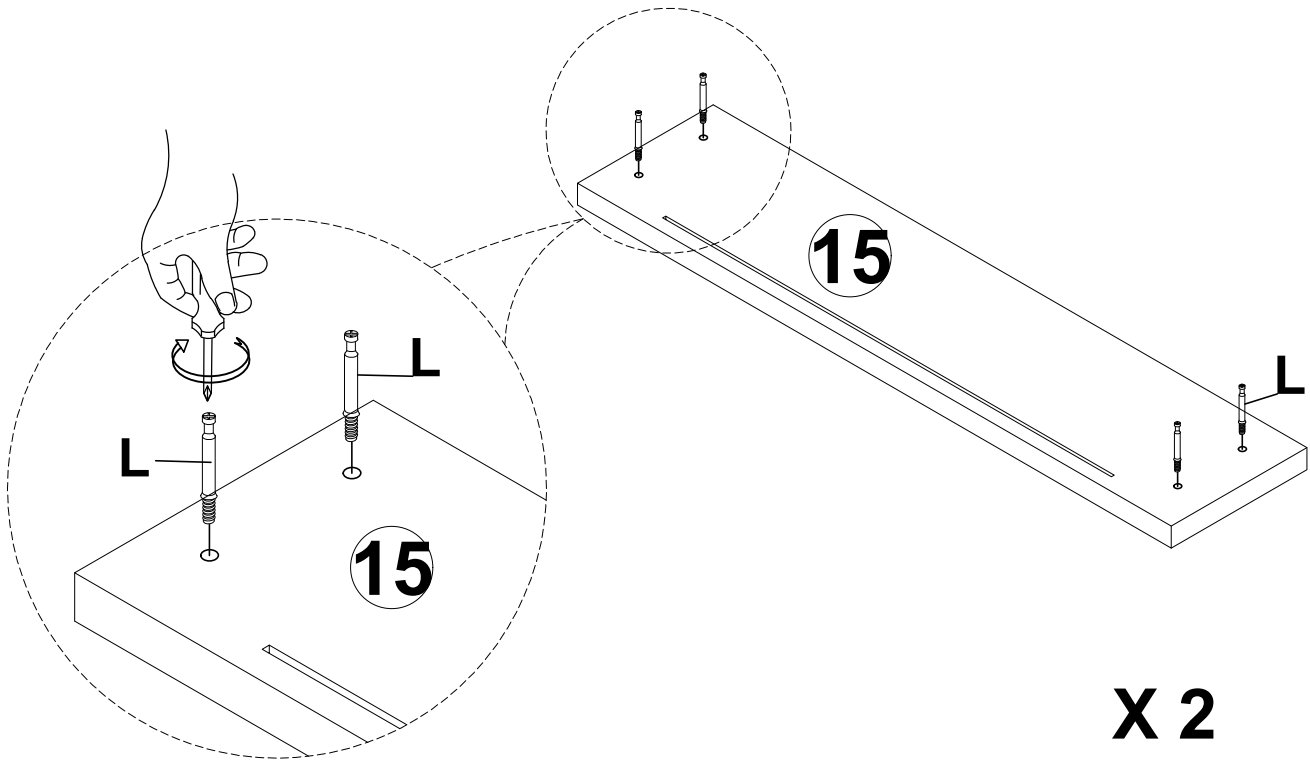
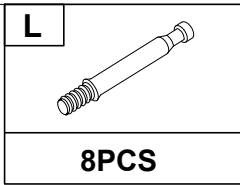


**STEP 7**

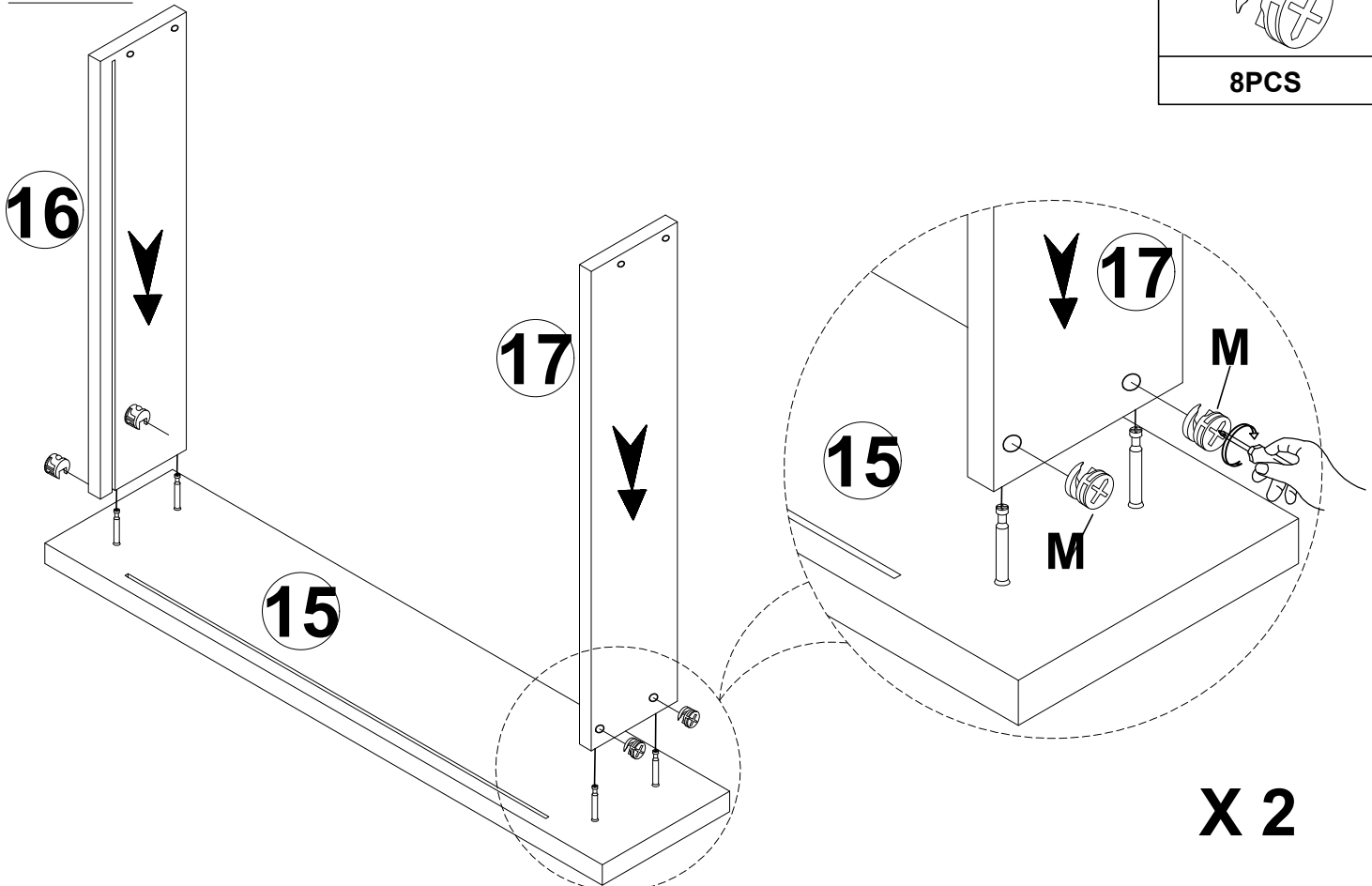
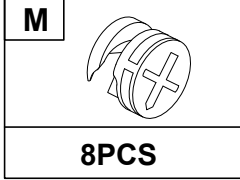
<b>K</b>	
<b>20PCS</b>	



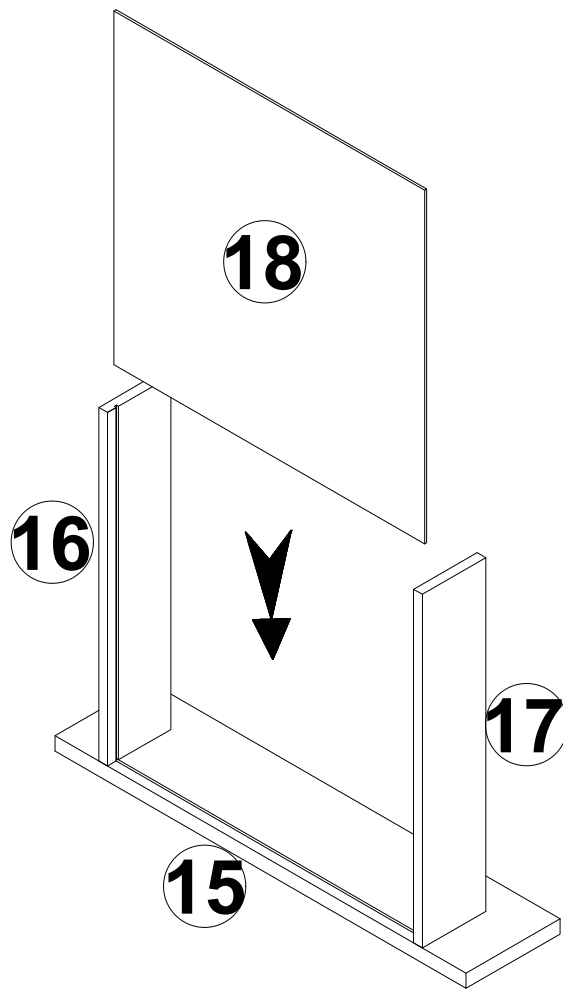
**STEP 8**



**STEP 9**





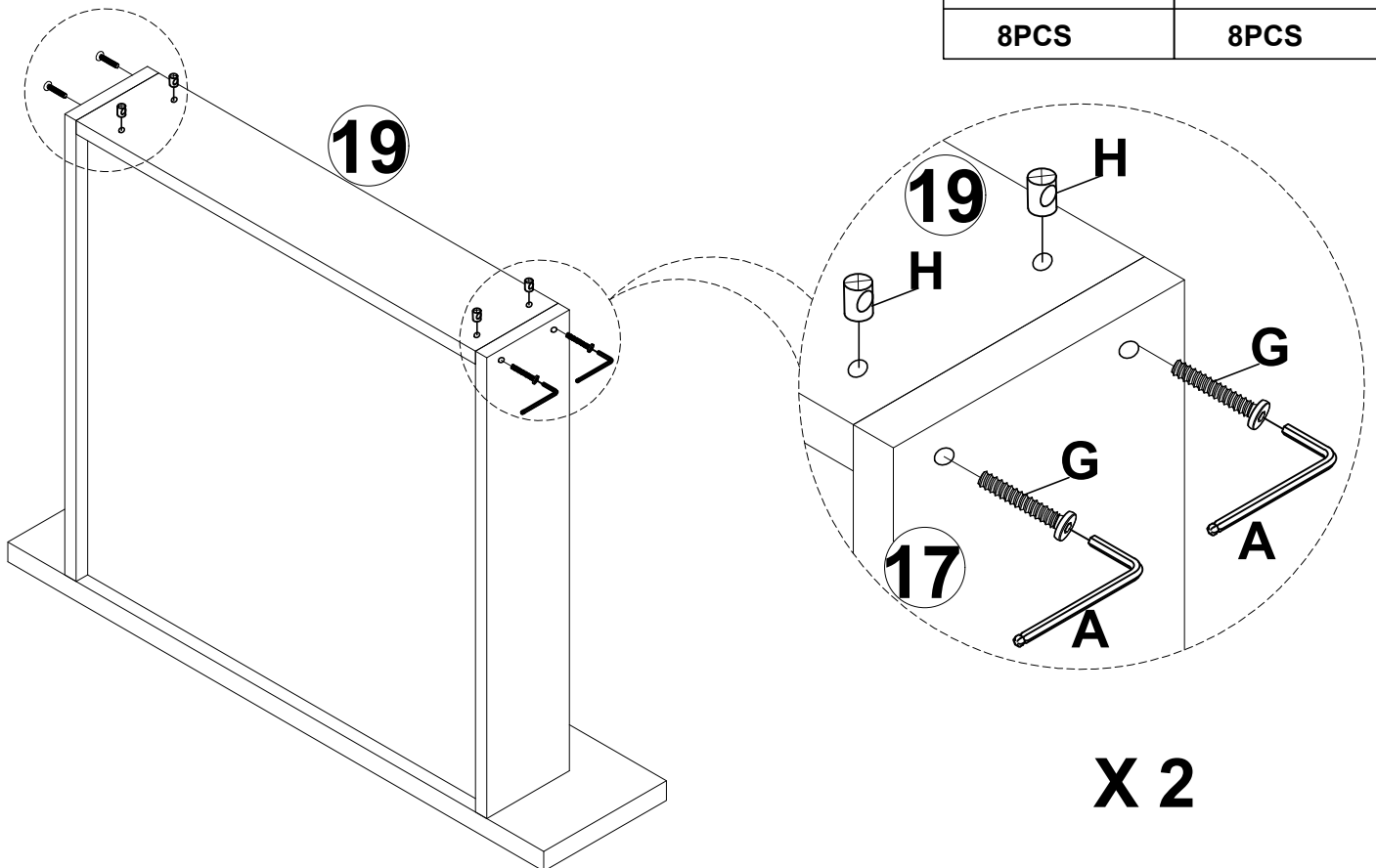
**STEP 10**



**X 2**

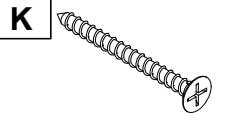
**STEP 11**

<b>H</b>		<b>G</b>	
<b>8PCS</b>		<b>8PCS</b>	

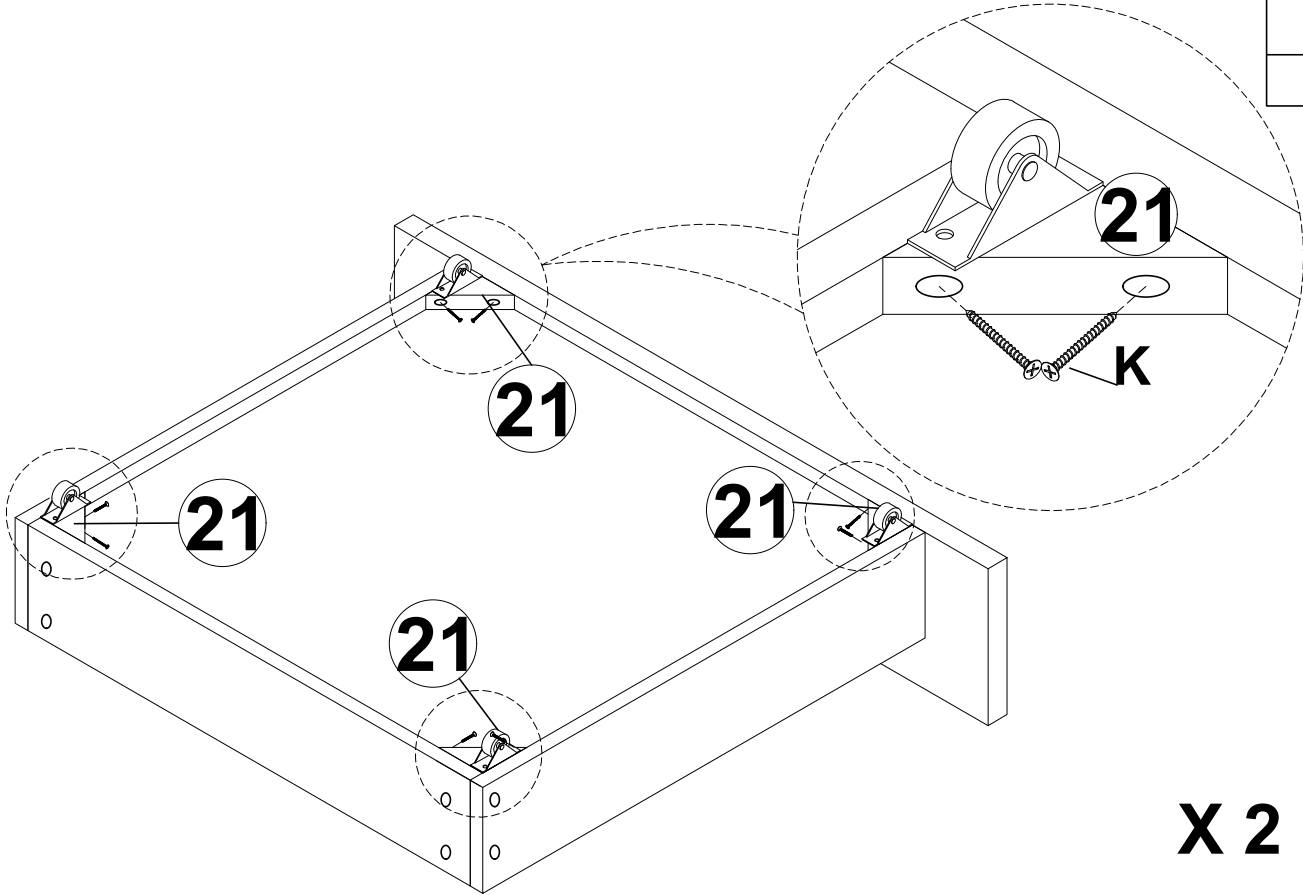


**X 2**

**STEP 12**

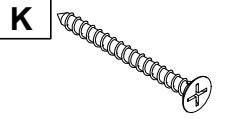


**16PCS**

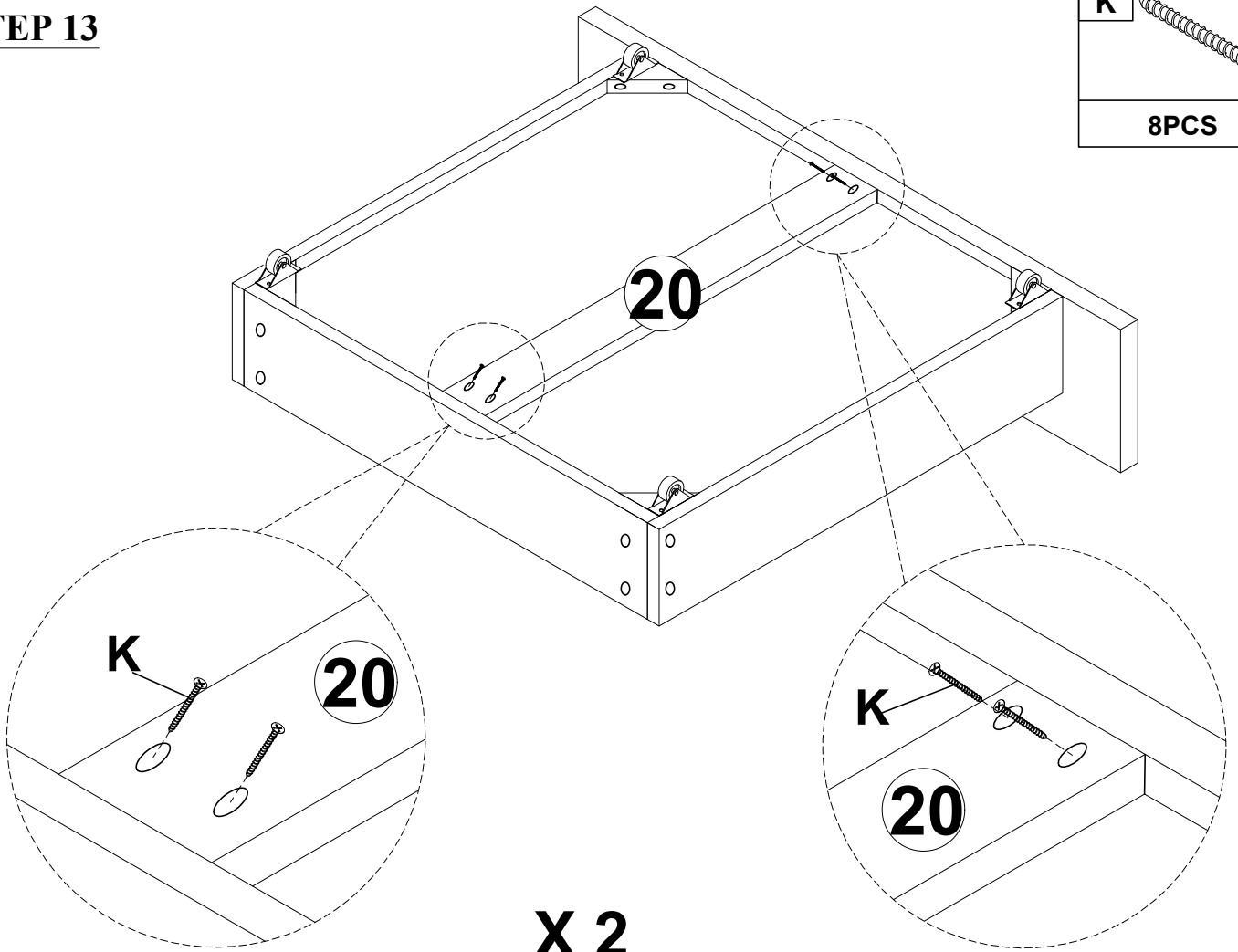


**X 2**

**STEP 13**



**8PCS**



**X 2**

**STEP 14**

