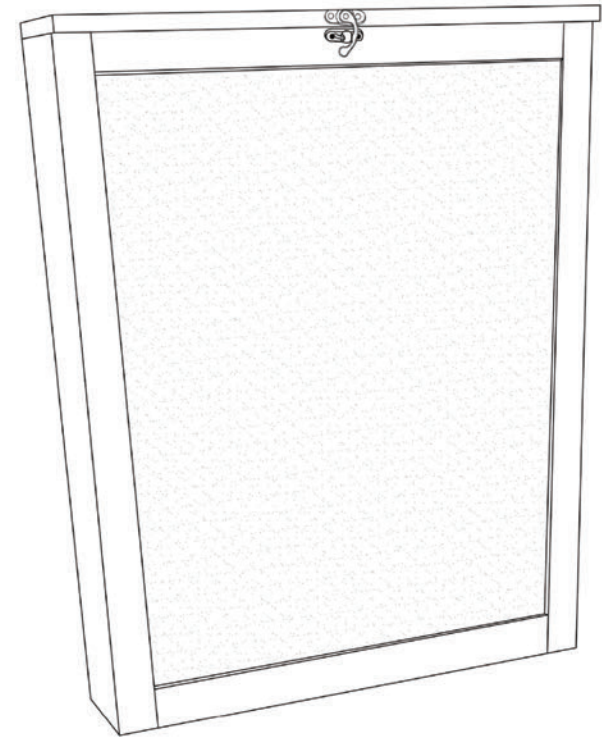
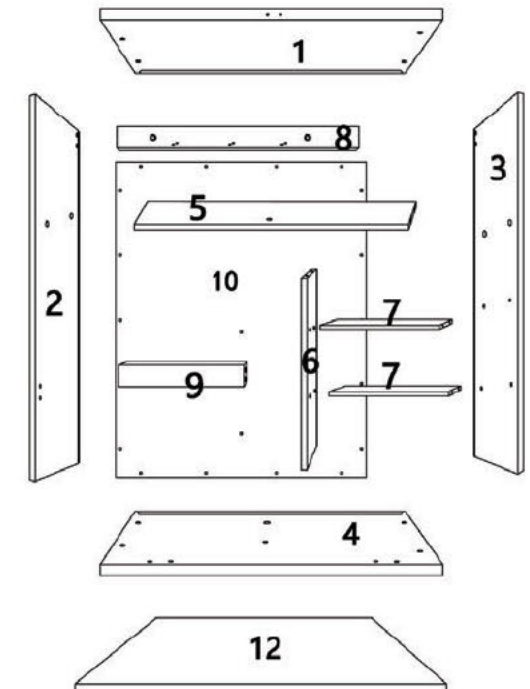
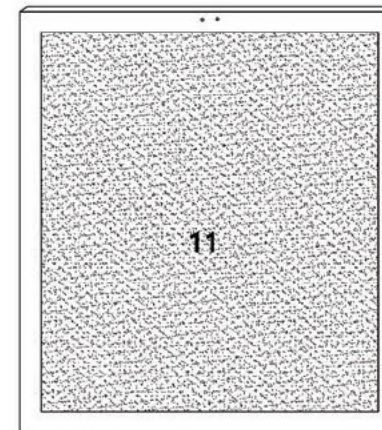
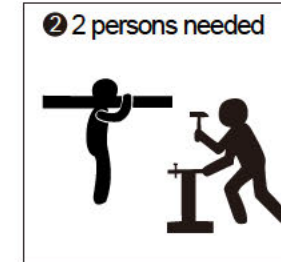
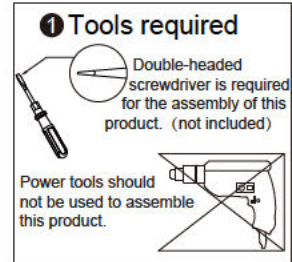

User Manual



Dear Customer,

- a. The outer box is damaged.
- b. The product is damaged / bent / cracked while you open the box.
- c. The parts / accessories / assembly tools are missing.
- d. The product is hard to assemble.
- e. The instructions are not clear and can not be referred to.
- f. The product has functional problems.
- g. Other aspects that you are not satisfied with.

You need



Hardware List

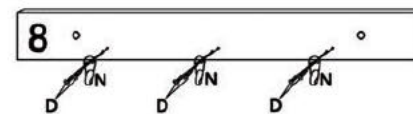
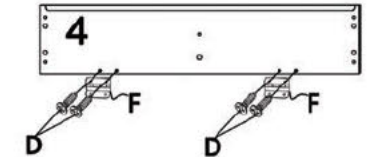
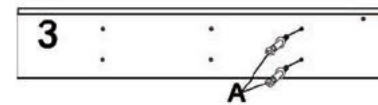
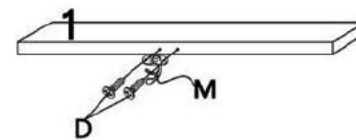
① 1PC	② 1PC	③ 1PC	④ 1PC
⑤ 1PC	⑥ 1PC	⑦ 2PCS	⑧ 1PC
⑨ 1PC	⑩ 1PC	⑪ 1PC	⑫ 1PC
A 4PCS	B 26PCS	C 4PCS	D 38PCS
E 2PCS	F 2PCS	G 1PC	H 1PC
I 10PCS	J 2PCS	K 2PCS	L 1PC
M 1PC	N 3PCS	O 18PCS	

PRODUCT ASSEMBLY

Check the package contents before getting started !

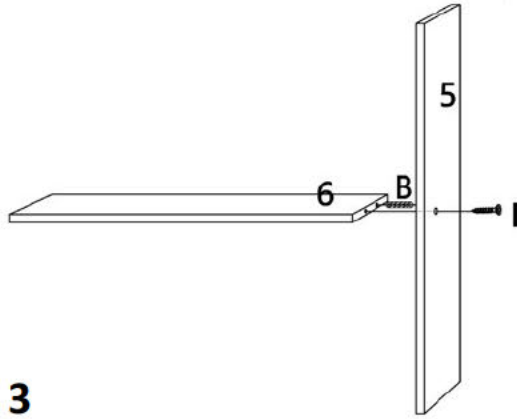
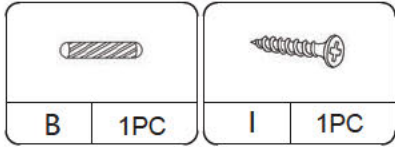
STEP 1

A 4PCS	D 12PCS	F 2PCS	M 1PC
N 3PCS			

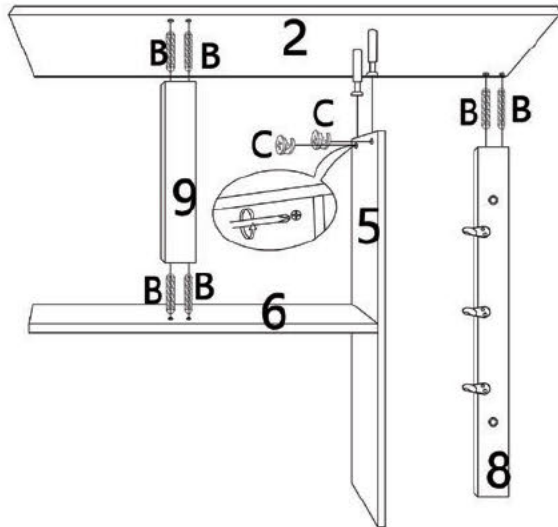
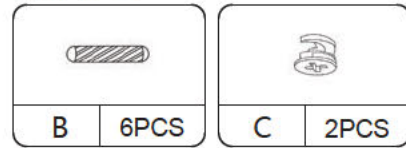


PRODUCT ASSEMBLY

STEP 2

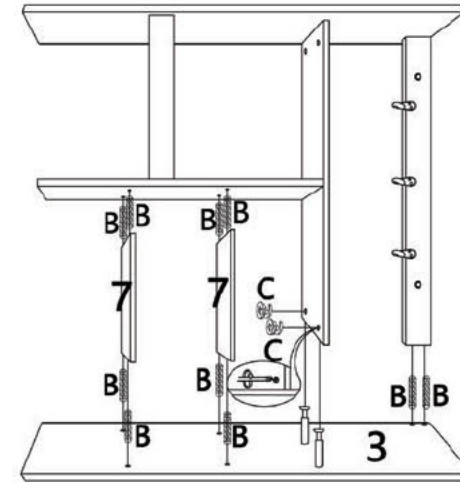


STEP 3

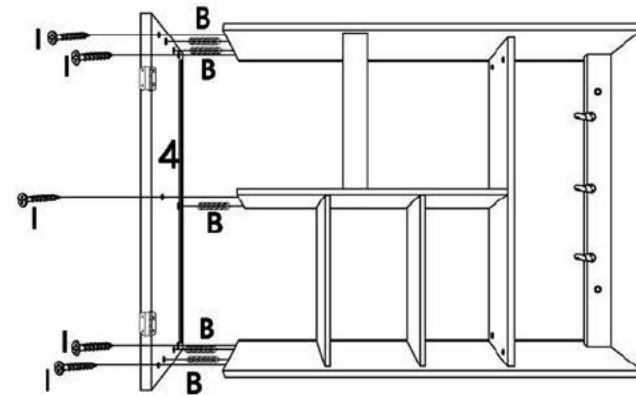


PRODUCT ASSEMBLY

STEP 4

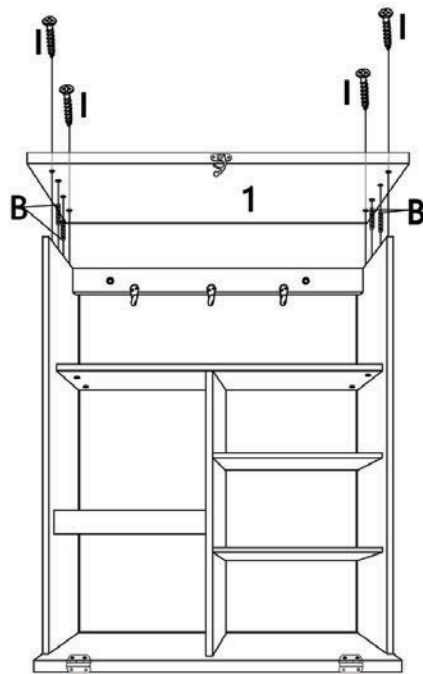
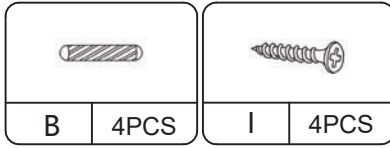


STEP 5



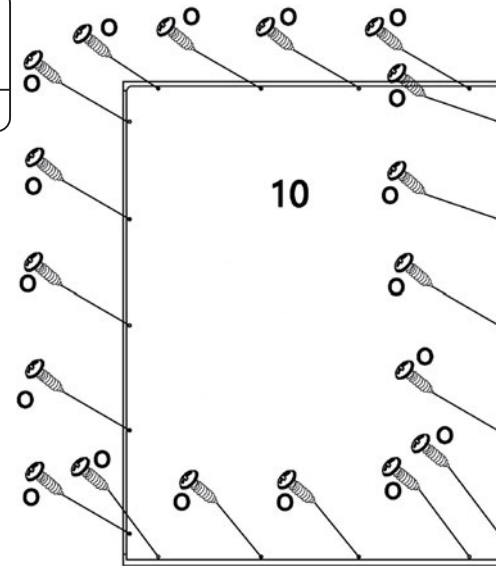
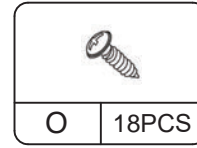
PRODUCT ASSEMBLY

STEP 6

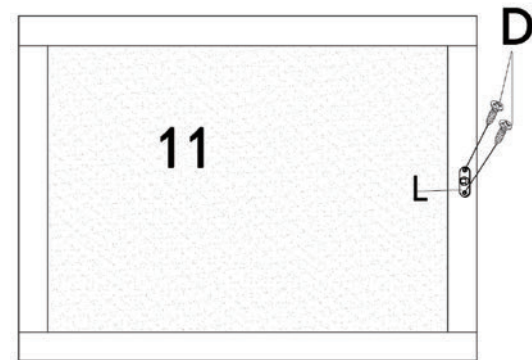


PRODUCT ASSEMBLY

STEP 7







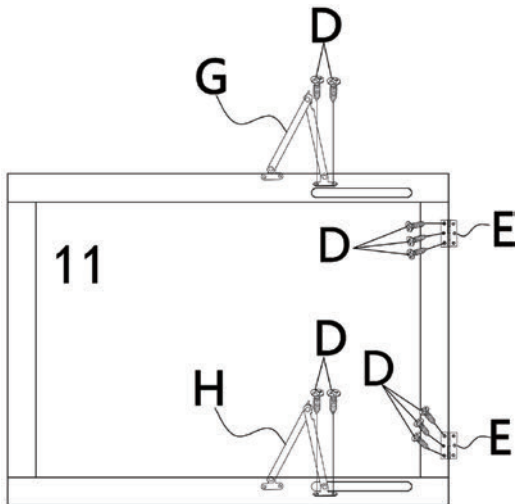
STEP 8




PRODUCT ASSEMBLY

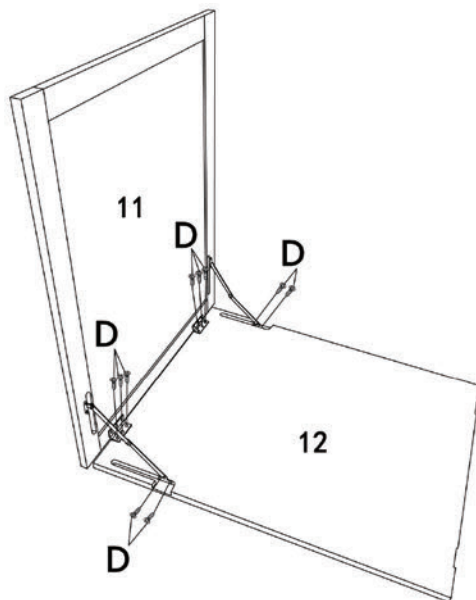
STEP 9

							
D	10PCS	E	2PCS	G	1PC	H	1PC




STEP 10

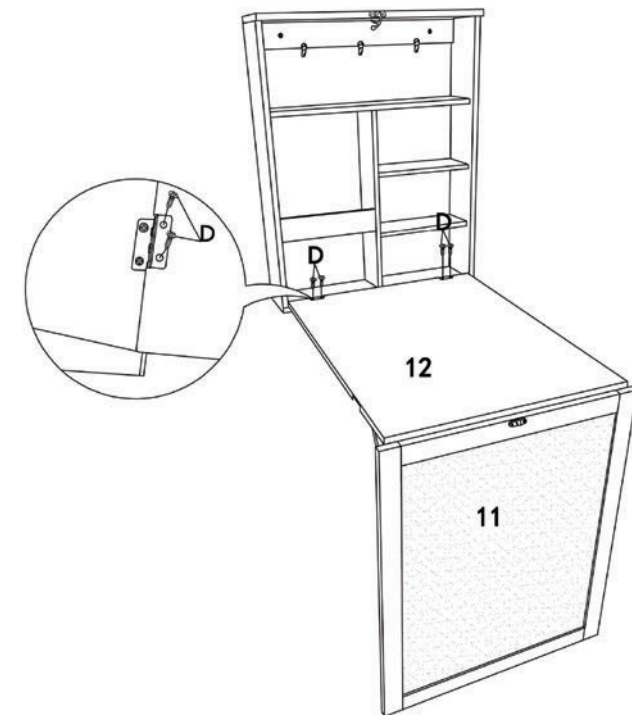
	
D	10PCS



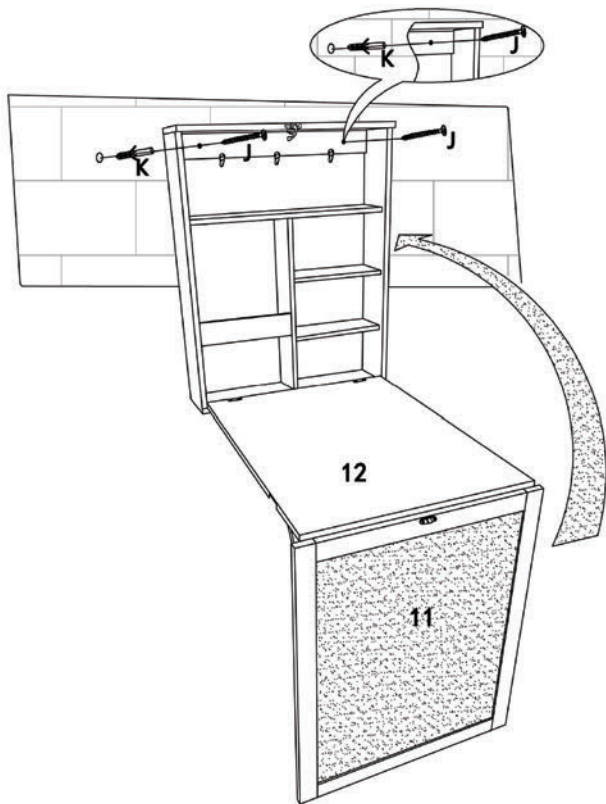
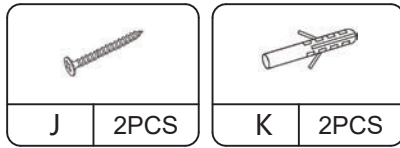
PRODUCT ASSEMBLY

STEP 11

	
D	4PCS



STEP 12



STEP 13

