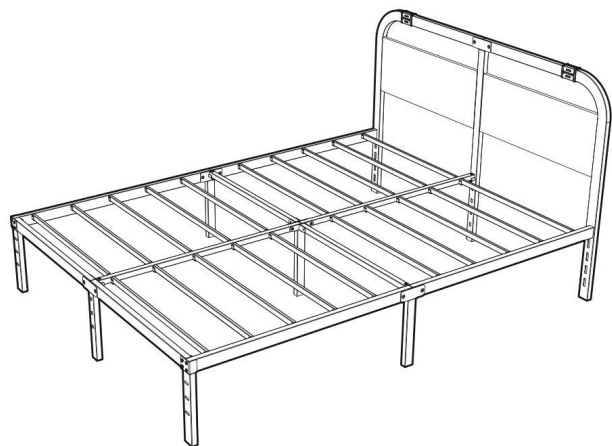


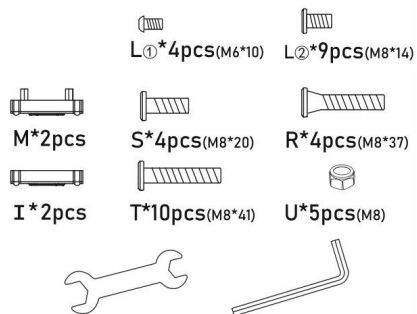
# Platform Bed Set-up Instruction

SIZE : Full | Queen | King | Cal King

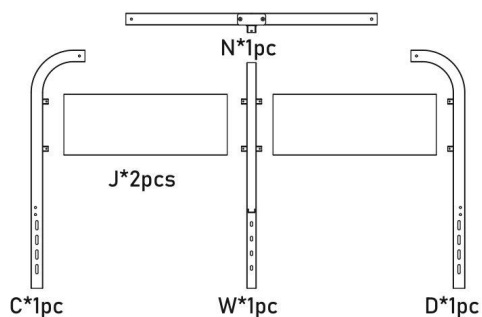


## Component composition

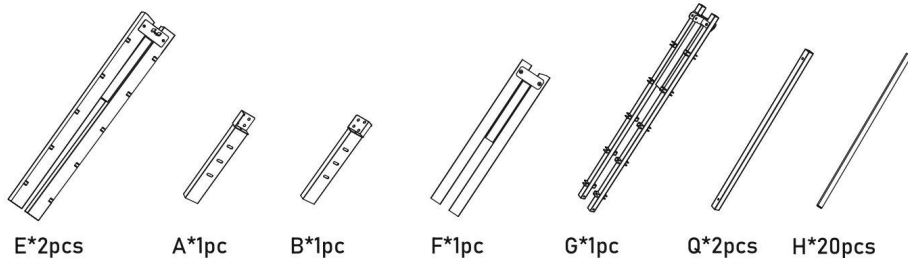
### Accessories List



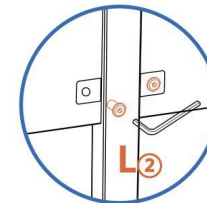
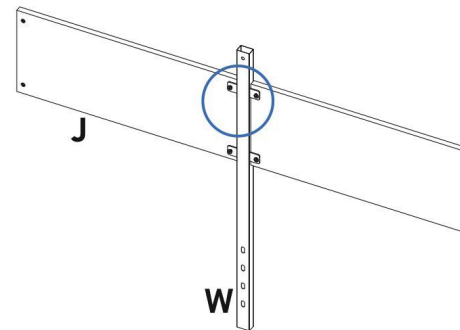
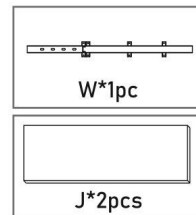
### Headboard List



### Bed Body List

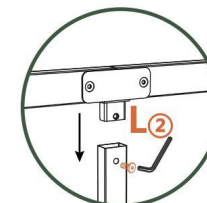
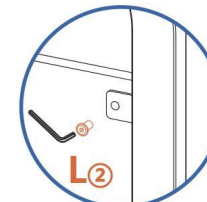
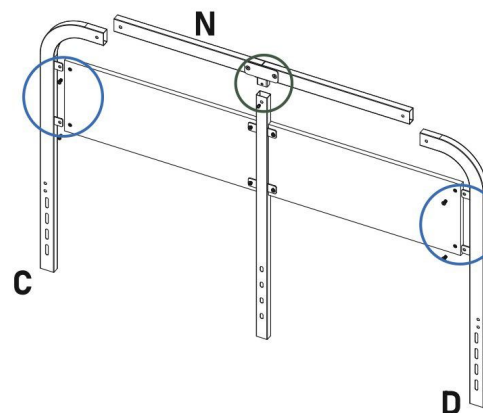
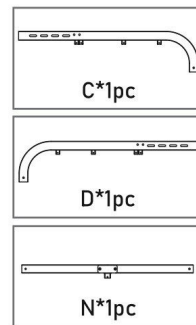


## Step 1-1 (Assemble the headboard)



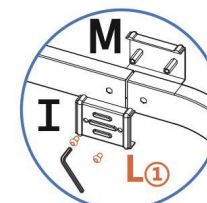
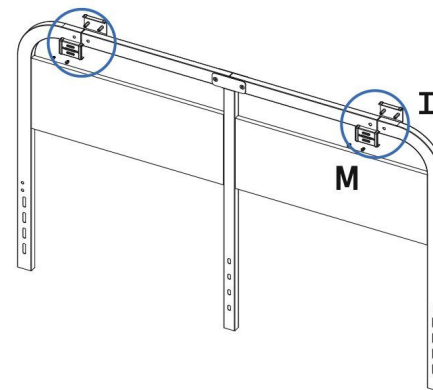
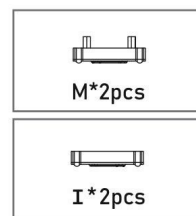
Step 1-1: need L2\*4pcs(M8\*14)

## Step 1-2



Step 1-2: need L2\*5pcs(M8\*14)

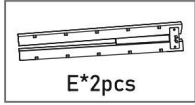
## Step 1-3



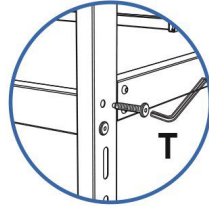
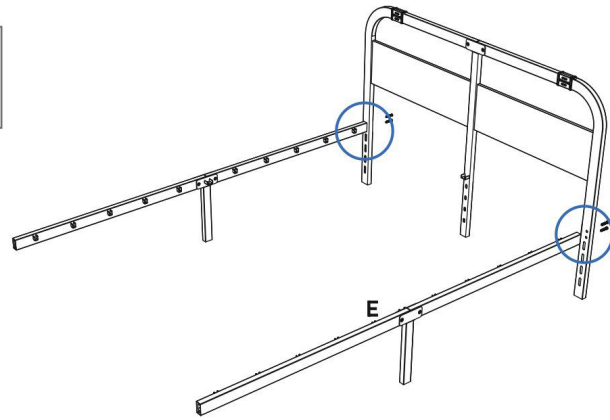
Step 1-3: need L1\*4pcs(M6\*10)

Please do not tighten the screws on headboard until you finish all of assembly to bed frame, which will be helpful for your assembly.

# Step 2

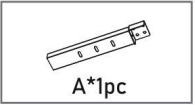


E\*2pcs

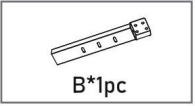


Step 2: need T\*4pcs(M8\*4)

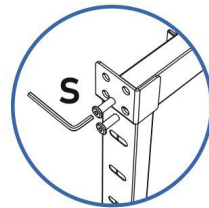
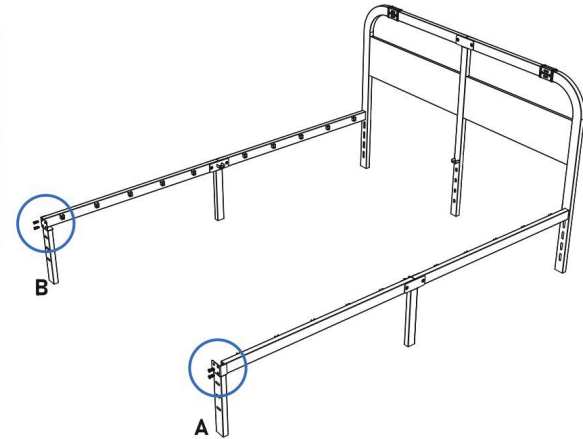
# Step 3



A\*1pc

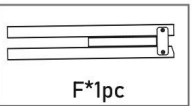


B\*1pc

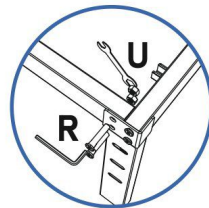
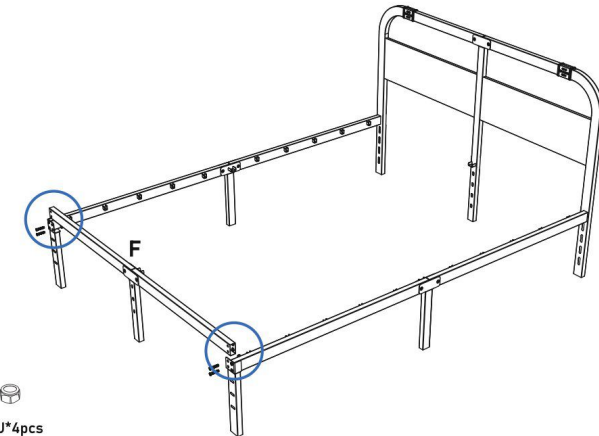


Step 3: need S\*4pcs(M8\*20)

# Step 4

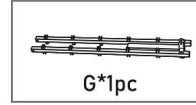


F\*1pc

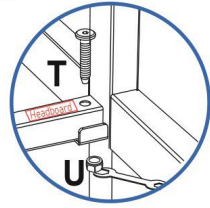
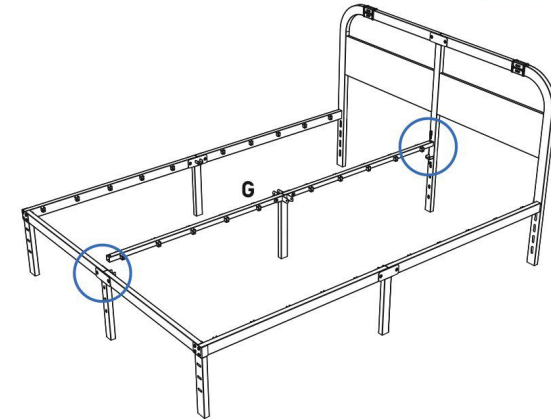


Step 4: need R\*4pcs(M8\*37) U\*4pcs

# Step 5

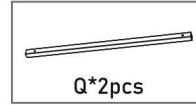


G\*1pc

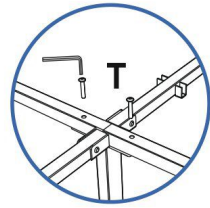
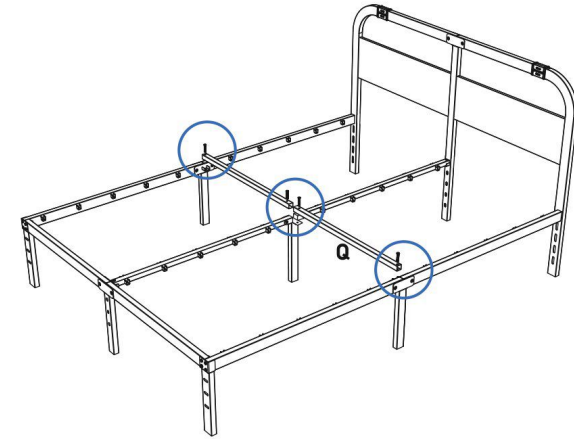


Step 5: need T\*2pcs(M8\*4) U\*1pc

# Step 6

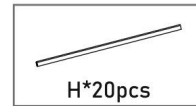


Q\*2pcs

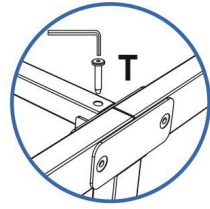
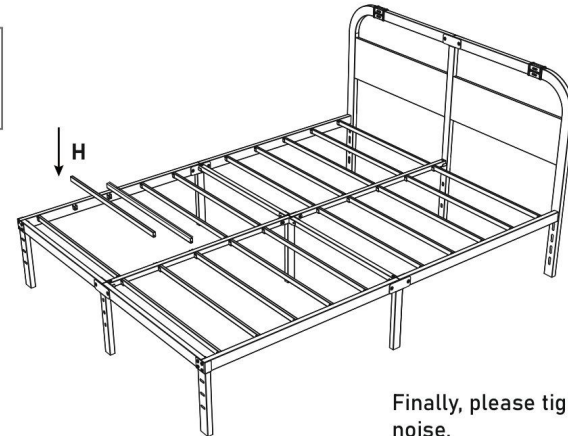


Step 6: need T\*4pcs(M8\*4)

# Step 7



H\*20pcs



The longer side points to the headboard  
Lable: Headboard

Finally, please tighten all screws to prevent noise.