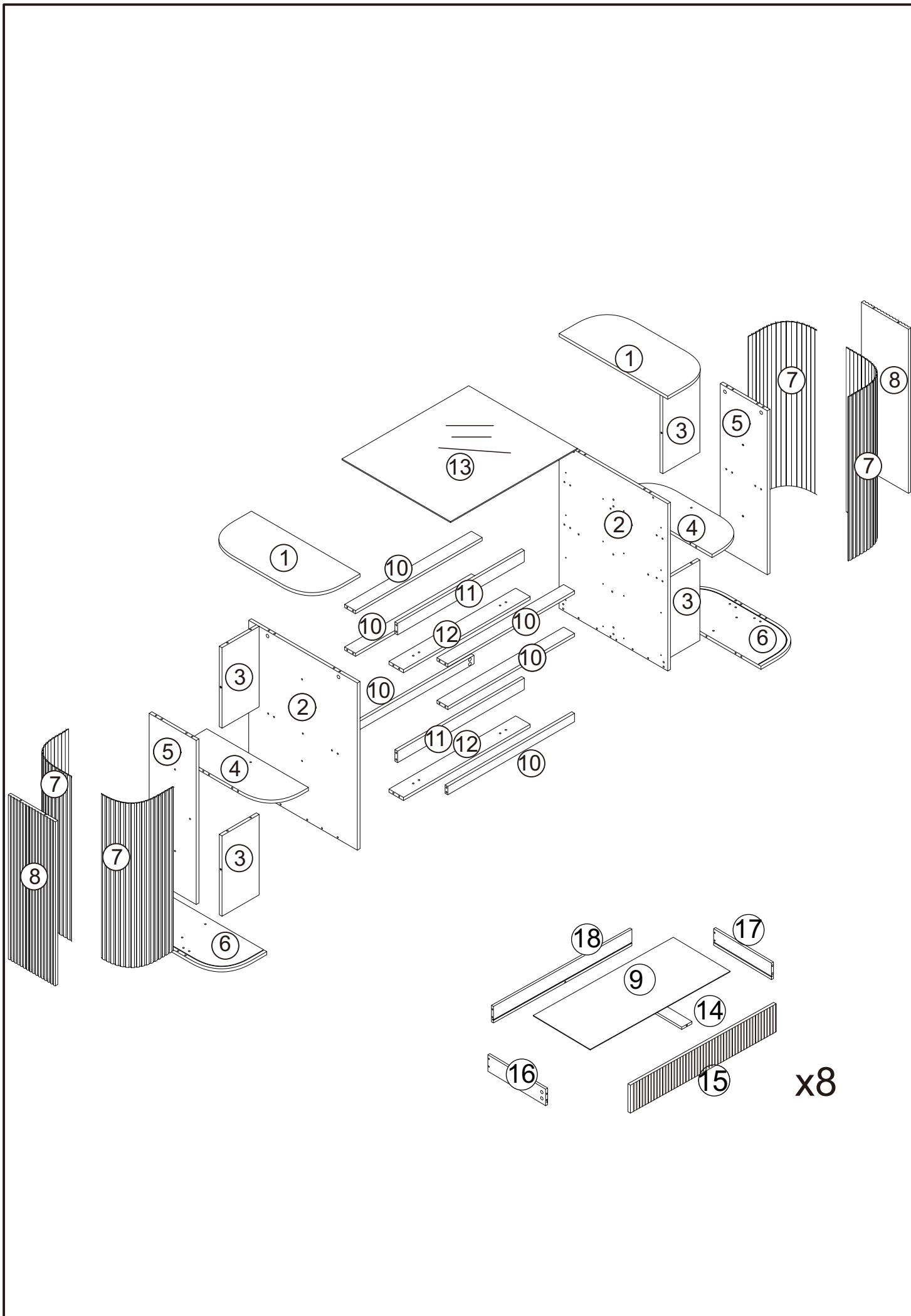
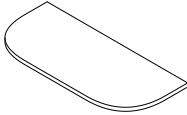
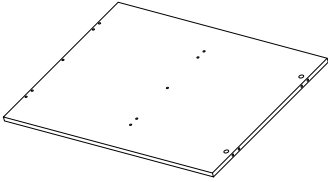
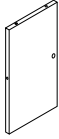
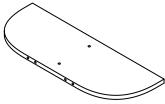
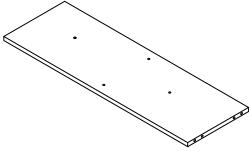
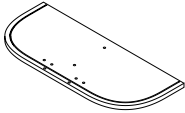
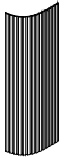
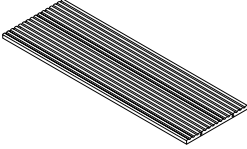

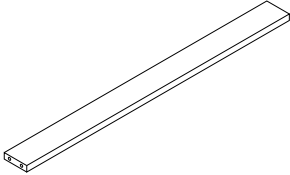
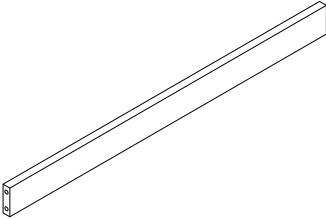
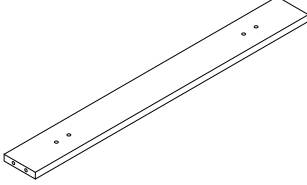
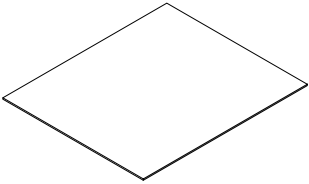
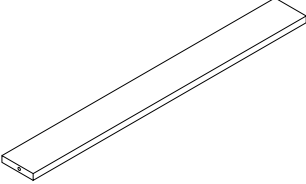
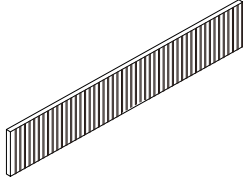
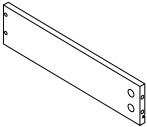
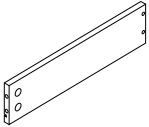
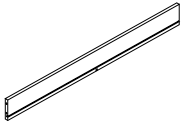


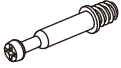

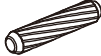
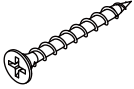
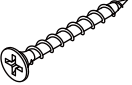


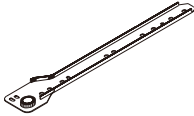
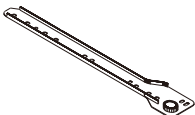
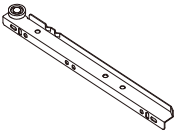
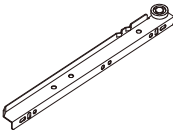
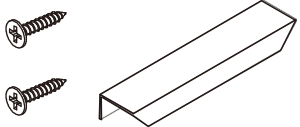
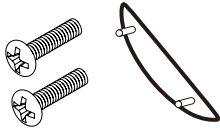
Installation instruction



Parts and Operation Elements

		
① 2pcs	② 2pcs	③ 4pcs
		
④ 2pcs	⑤ 2pcs	⑥ 2pcs
		
⑦ 4pcs	⑧ 2pcs	⑨ 8pcs
		
⑩ 6pcs	⑪ 2pcs	⑫ 2pcs
		
⑬ 1pc	⑭ 8pcs	⑮ 8pcs
		
⑯ 8pcs	⑰ 8pcs	⑱ 8pcs

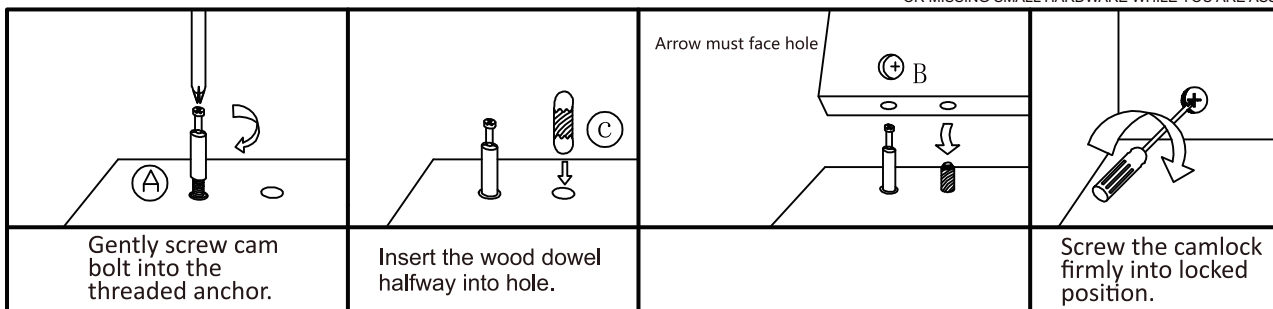
Hardware

			
A 92+2pcs	B 92+2pcs	C 52+2pcs	D 40+2pcs
			
E 34+2pcs	F 68+2pcs	G 4pcs	CL 8 pcs
			
CR 8 pcs	DL 8 pcs	DR 8 pcs	H 8 pcs
			
I 4 pcs			






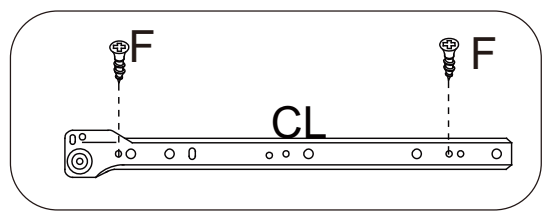
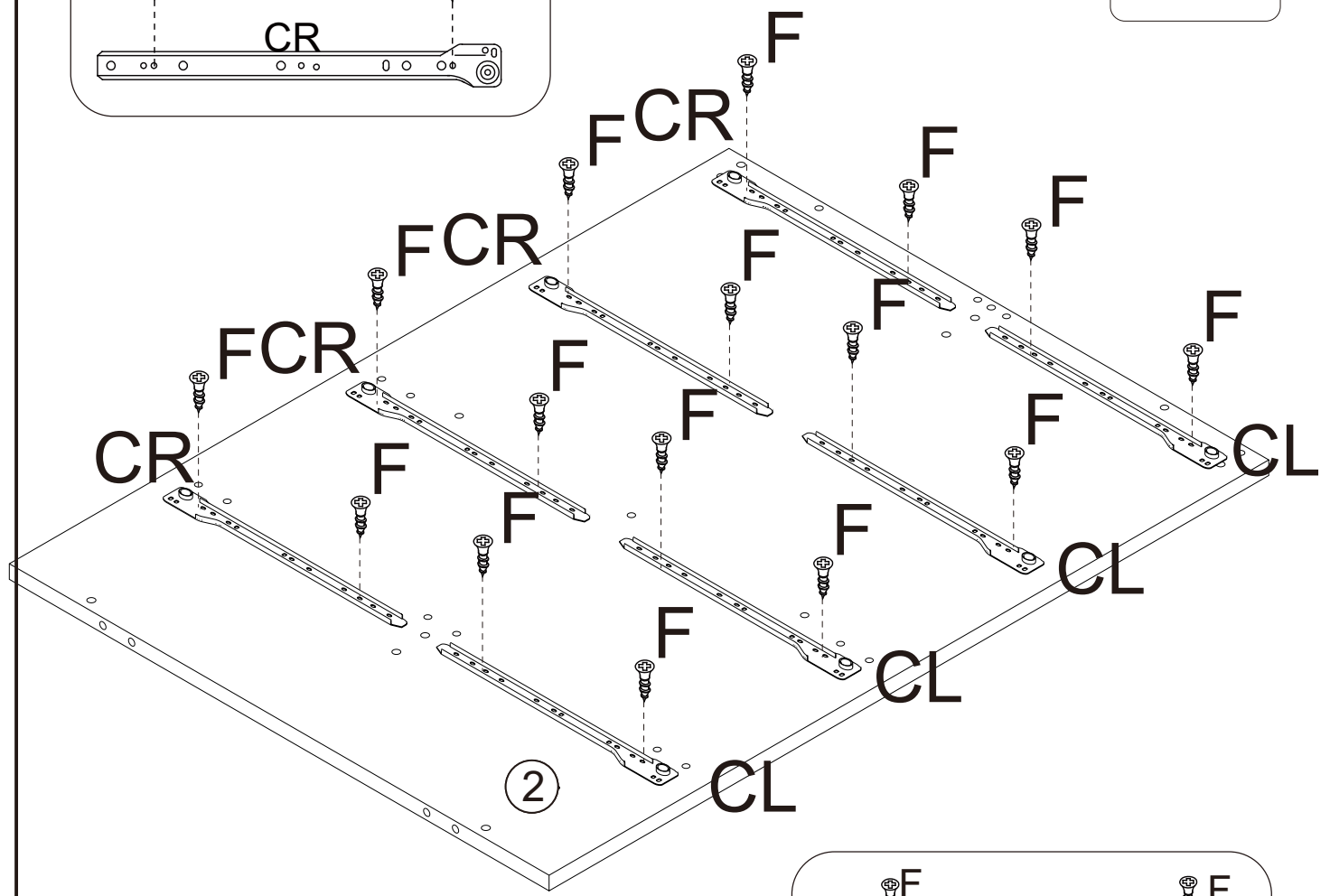
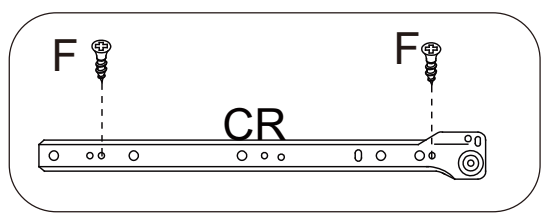
SPARE BAG

THE SPARE BAG INCLUDED EXTRA HARDWARE FOR DAMAGED OR MISSING SMALL HARDWARE WHILE YOU ARE ASSEMBLING



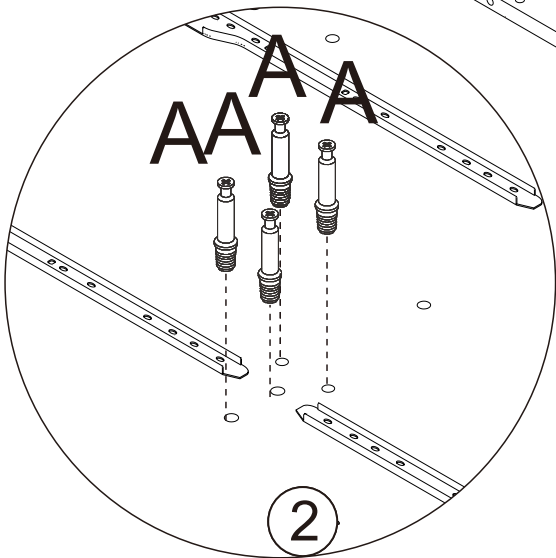
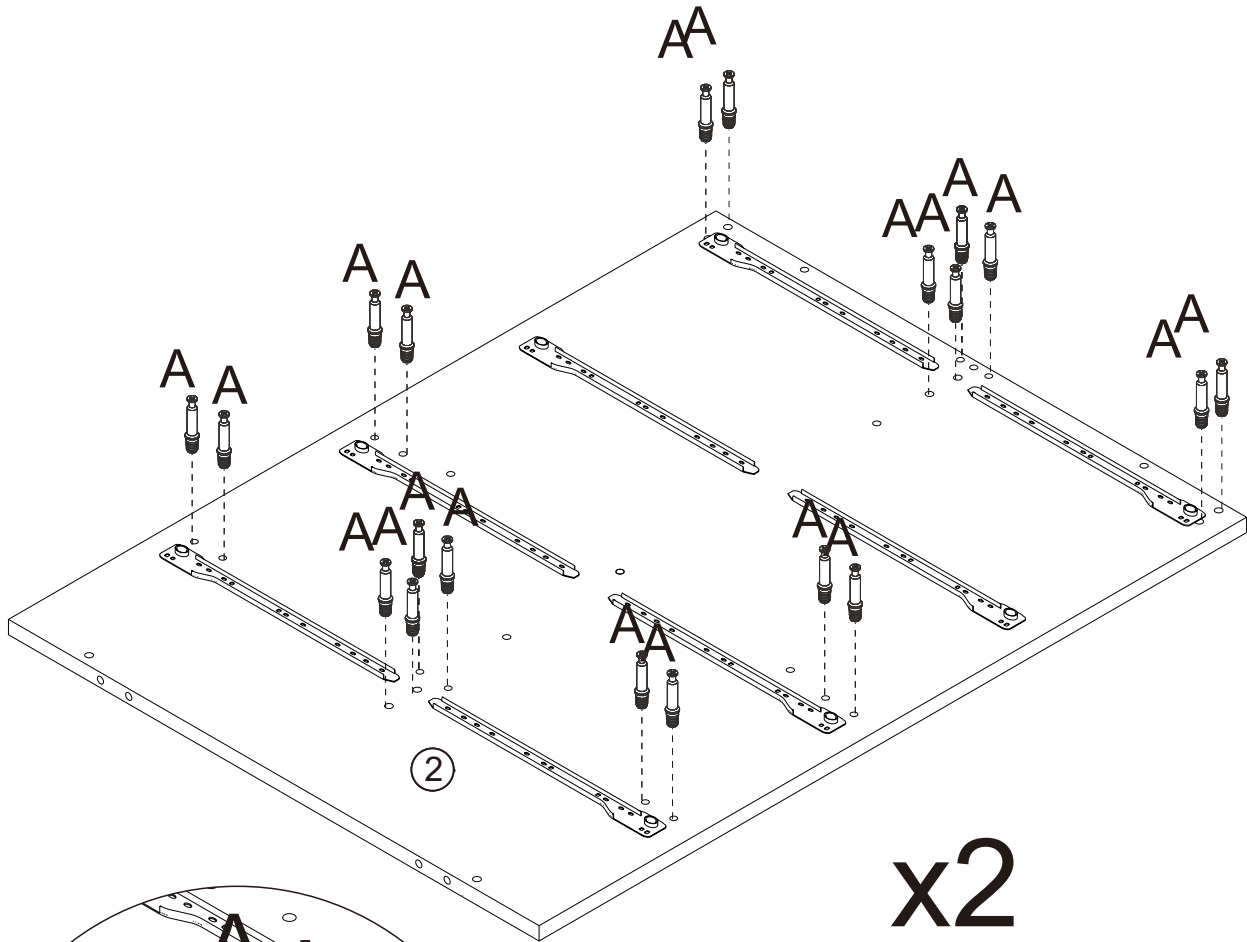
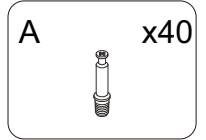
1

- F x32 
- CR x8 
- CL x8 

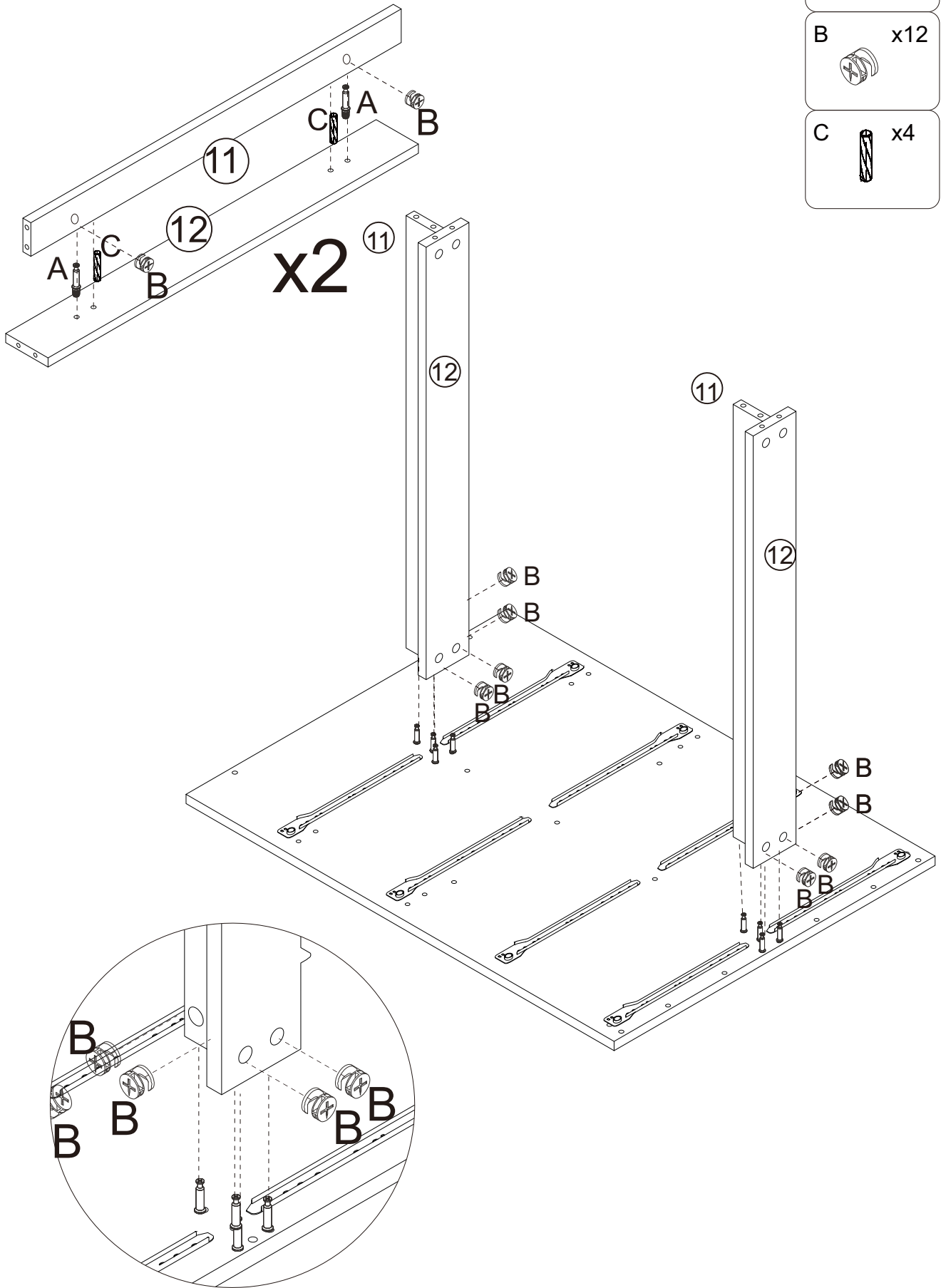


x2

2

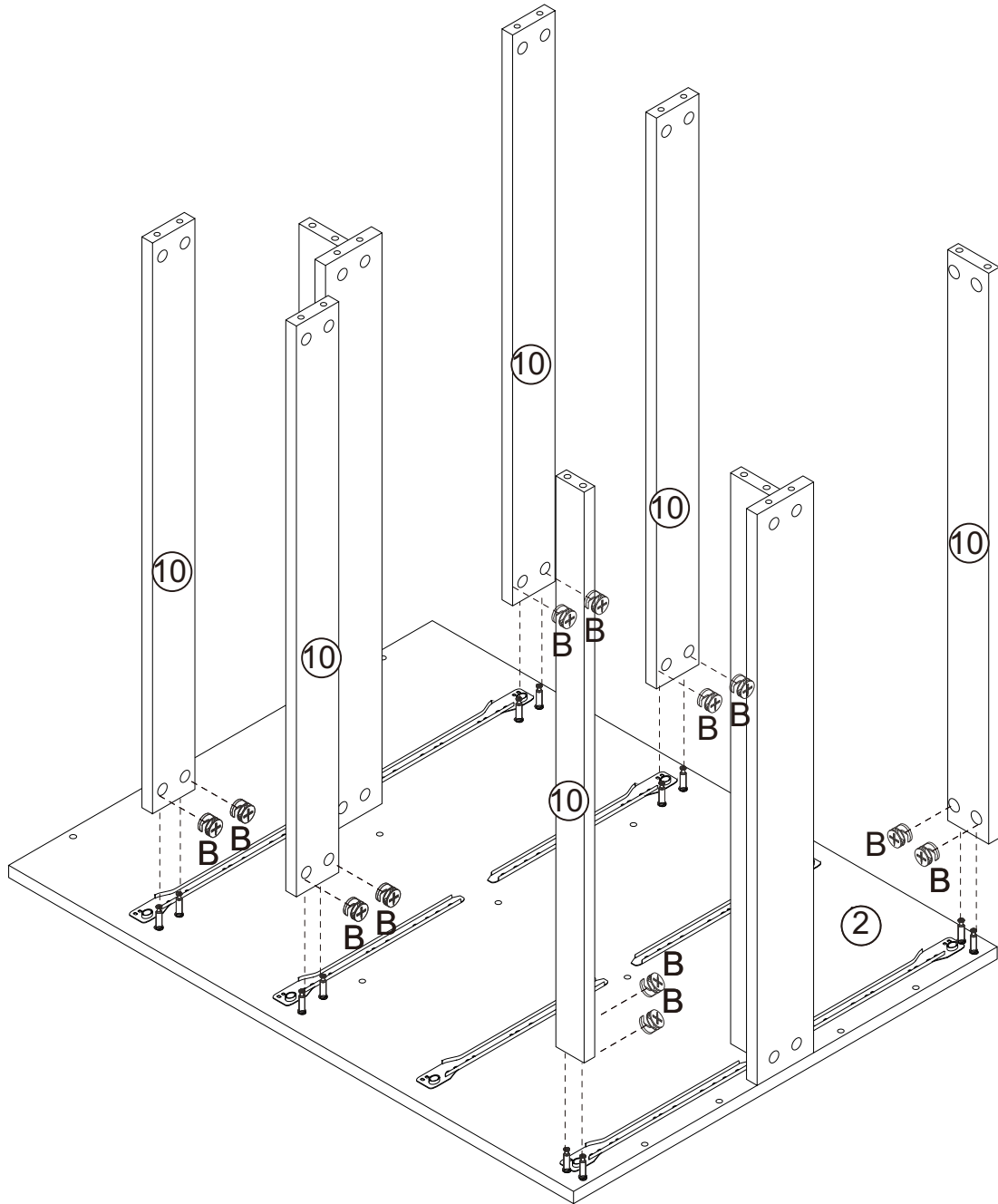


3




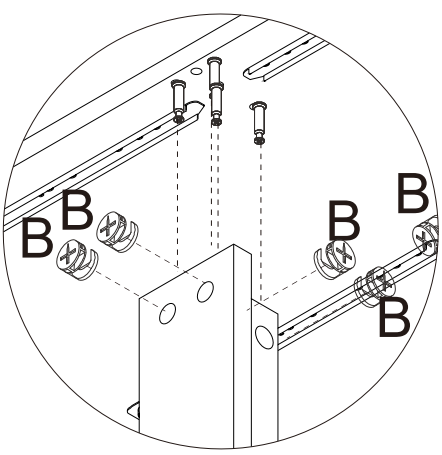
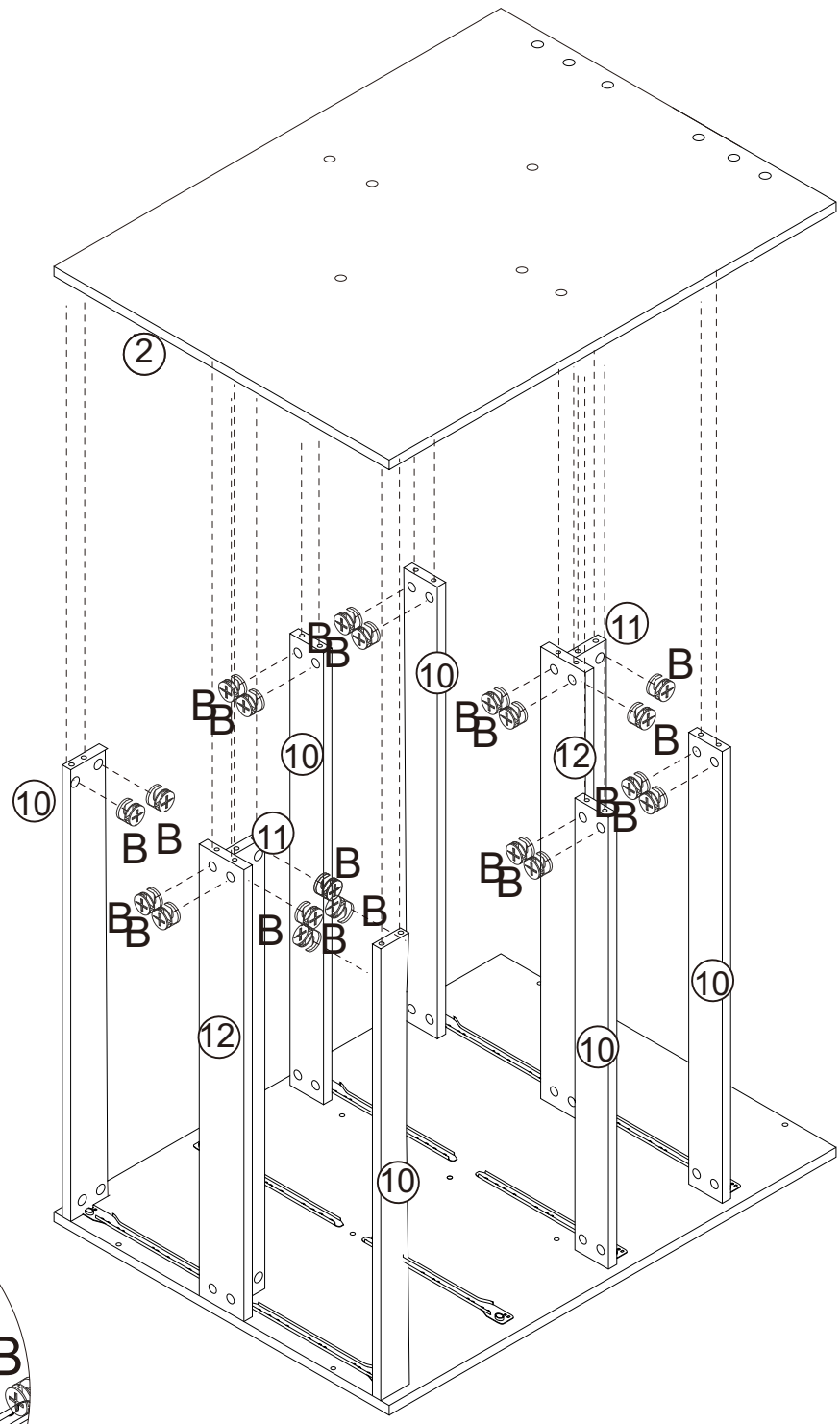
4

B x12





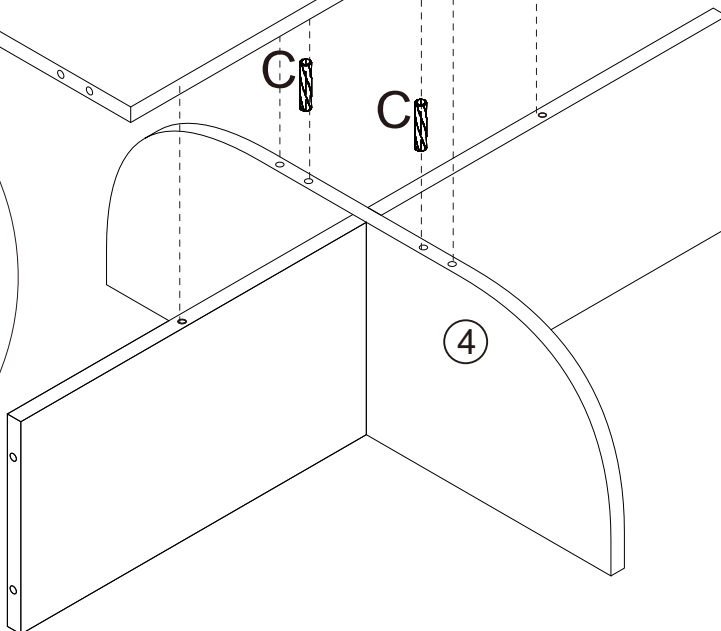
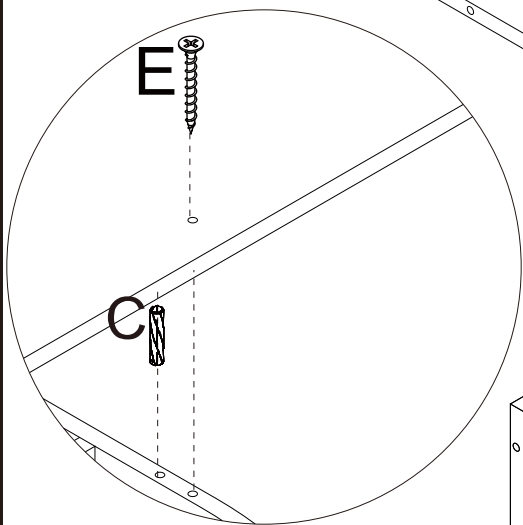
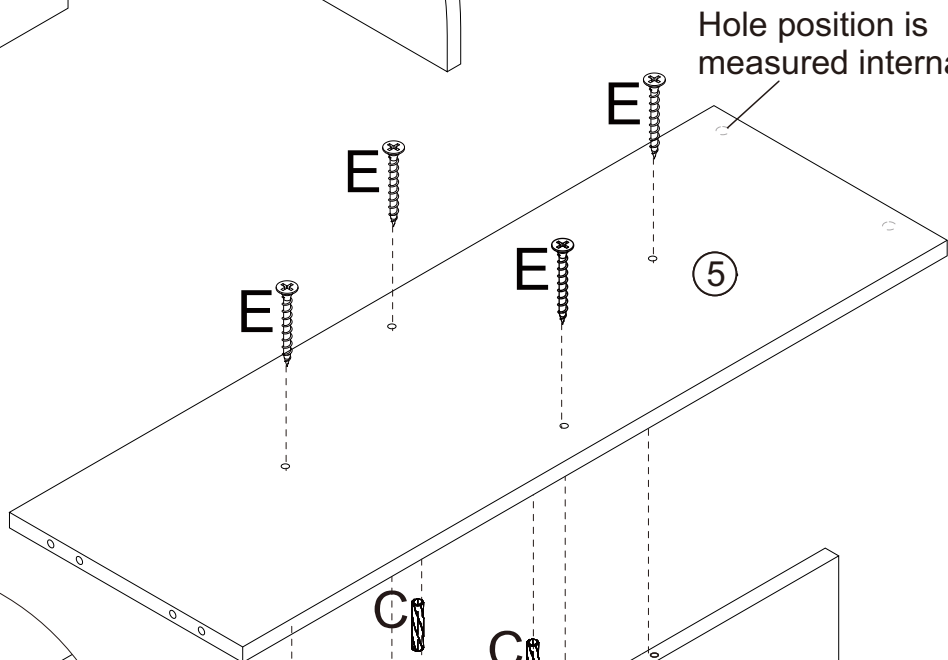
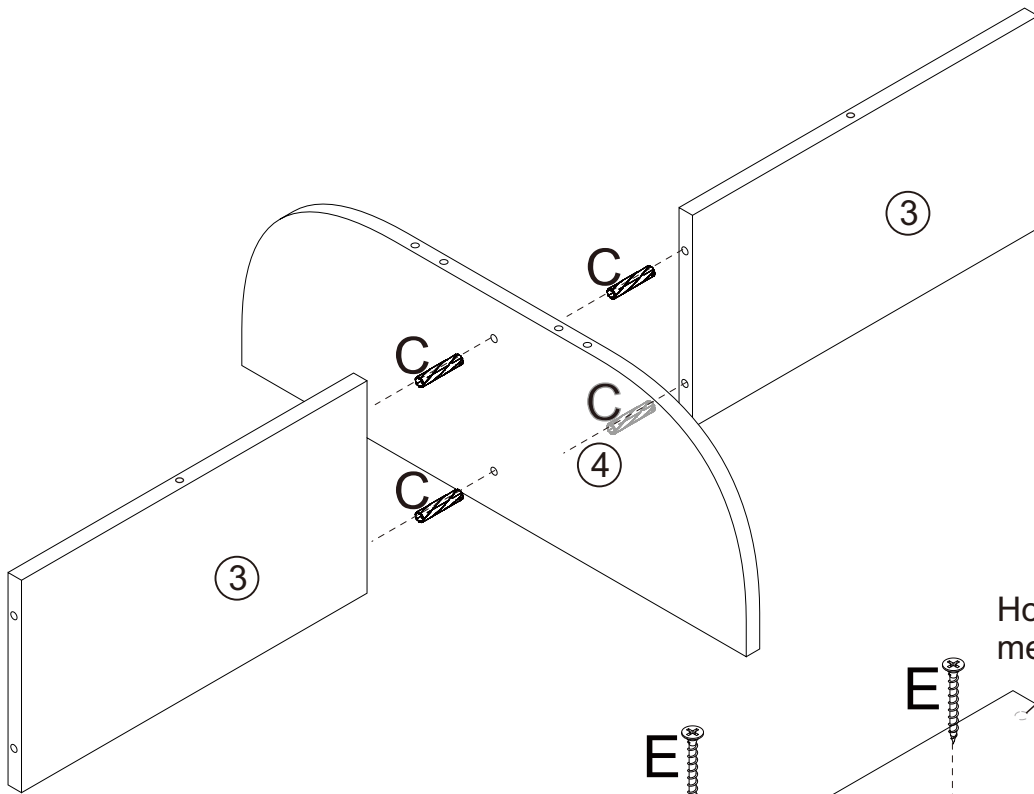
5

B x20




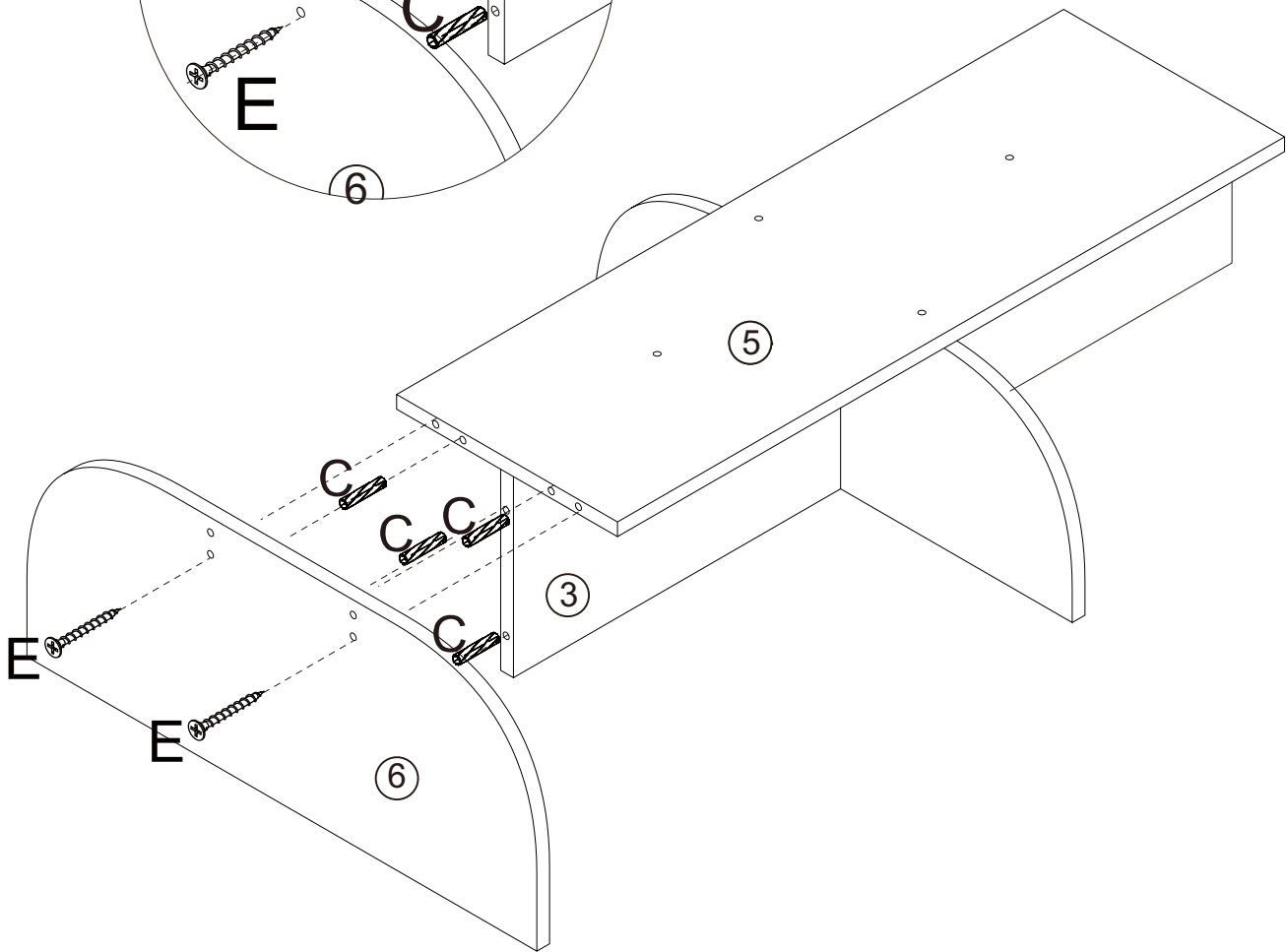
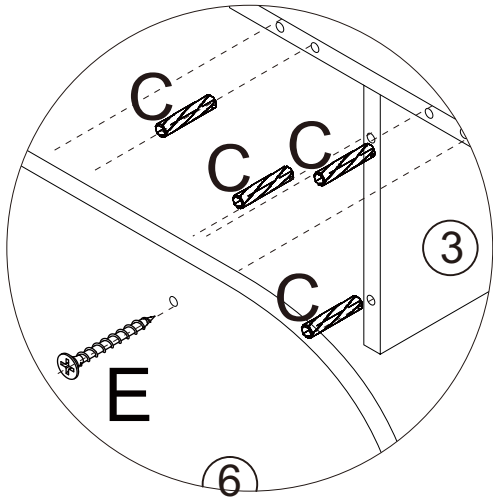
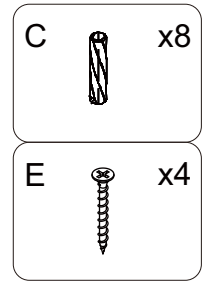
6

C		x12
E		x8



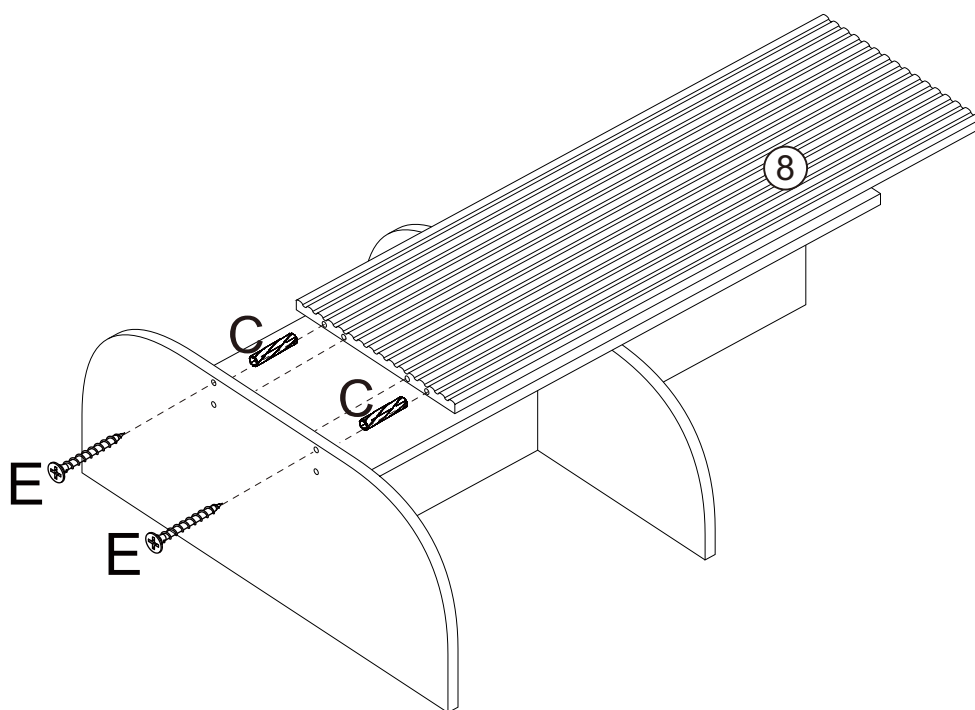
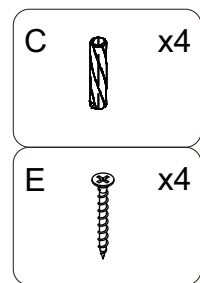
x2

7





x2

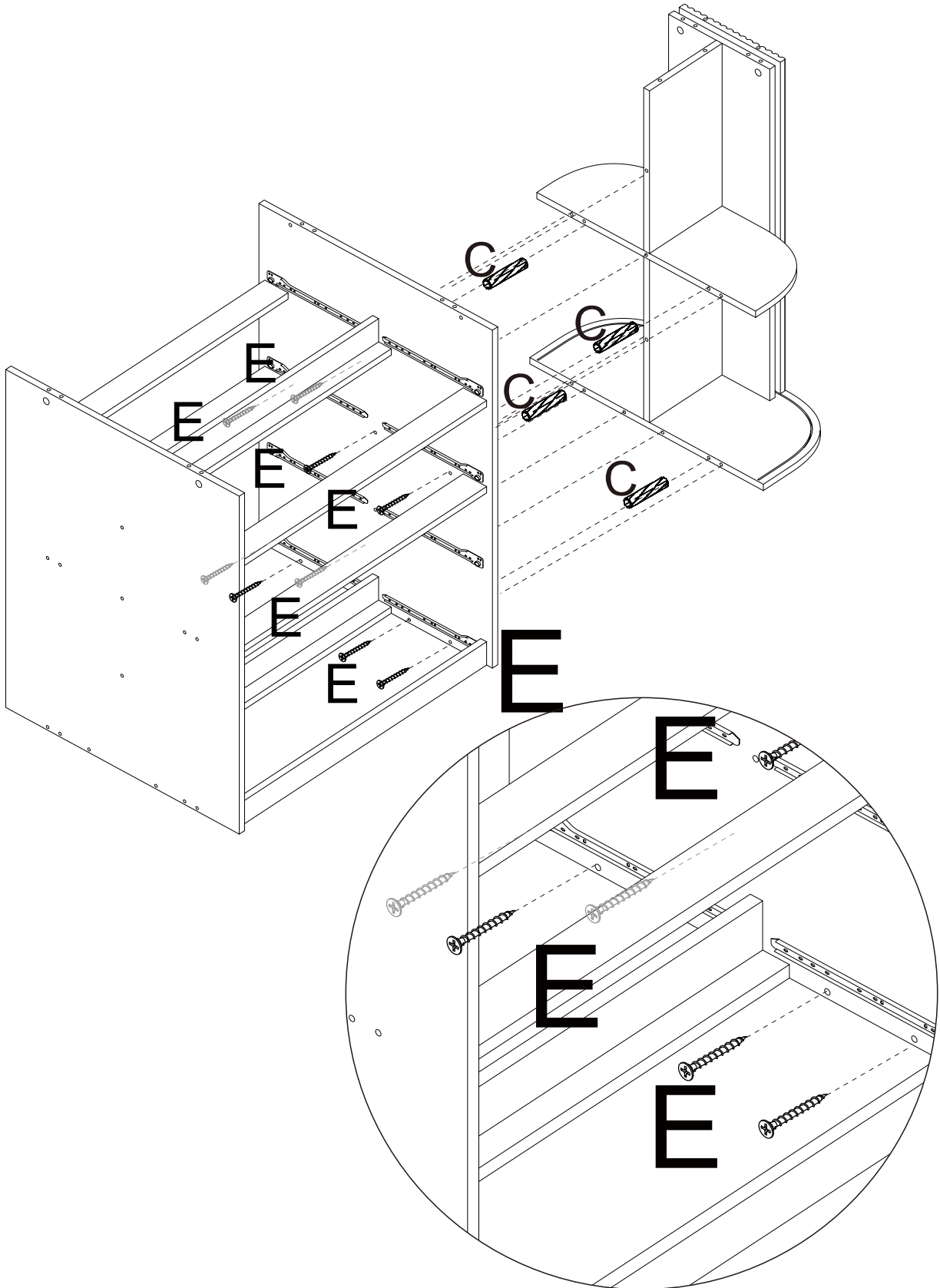
8





x2

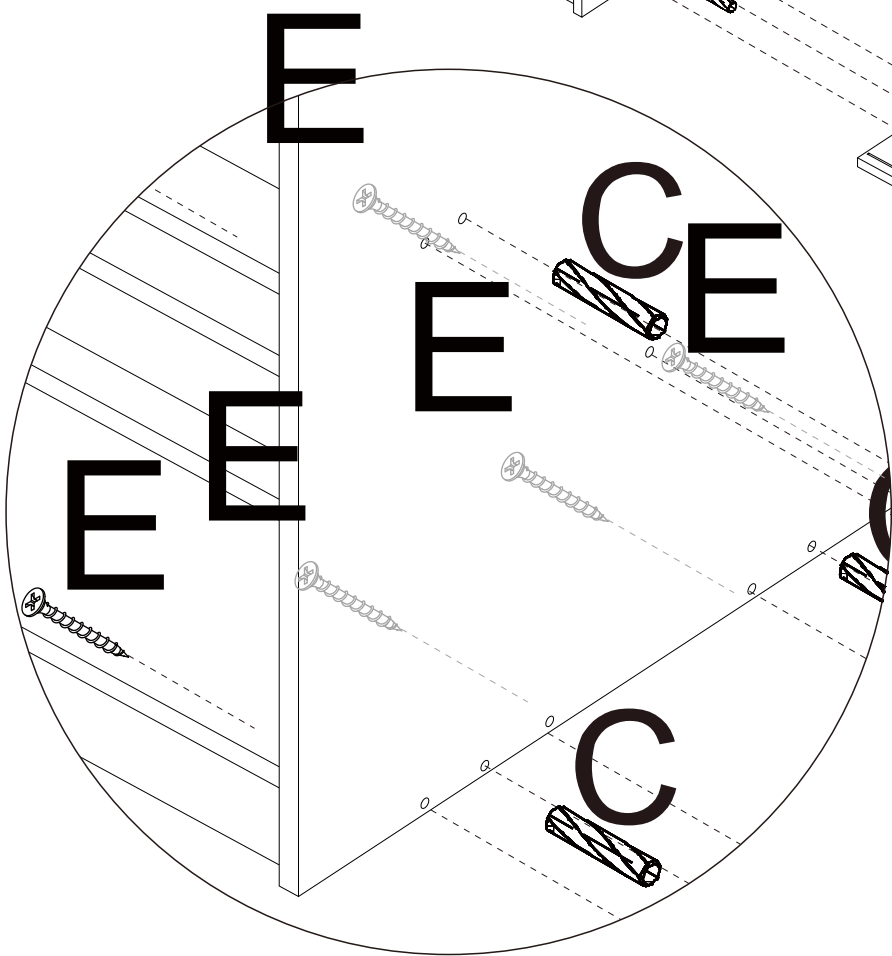
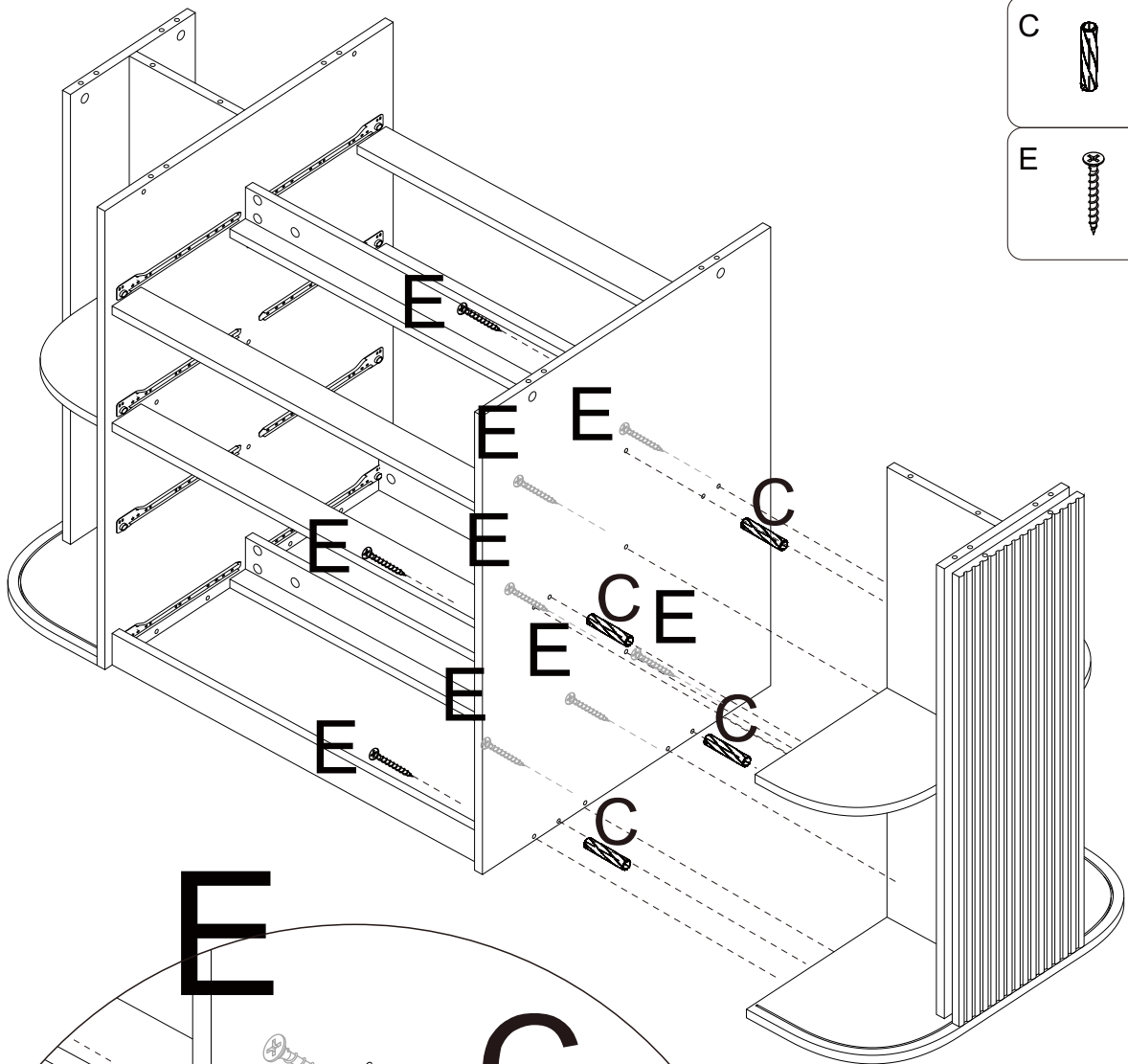
9

- C  x4
- E  x9

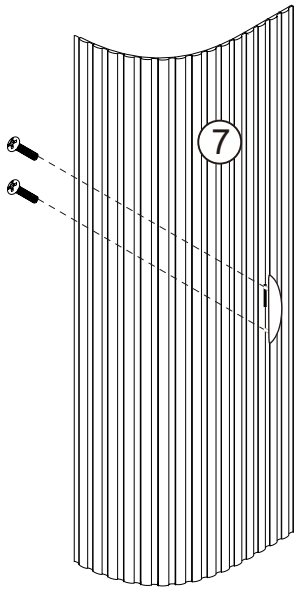
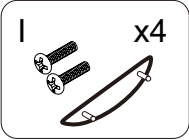


10

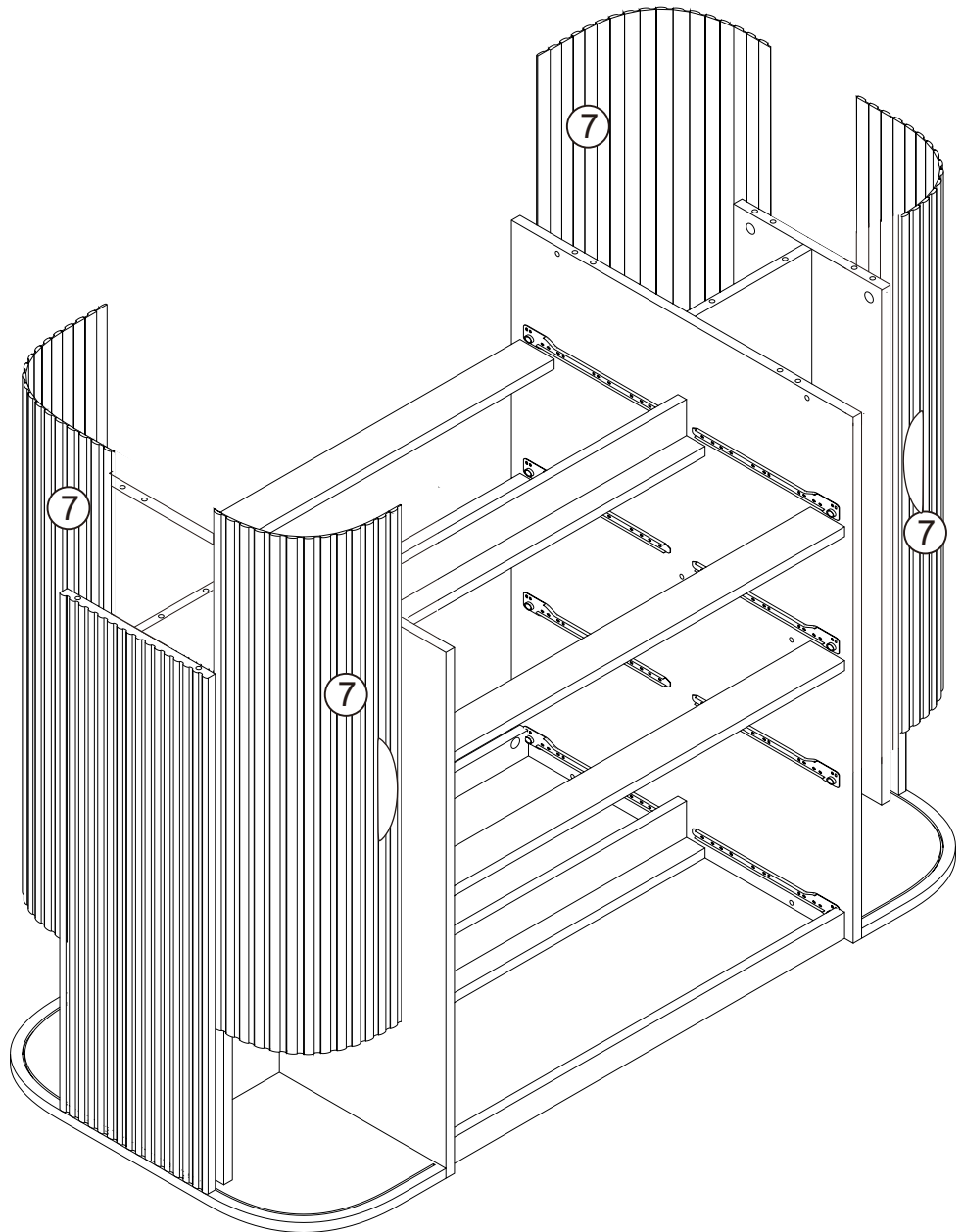
- C  x4
- E  x9



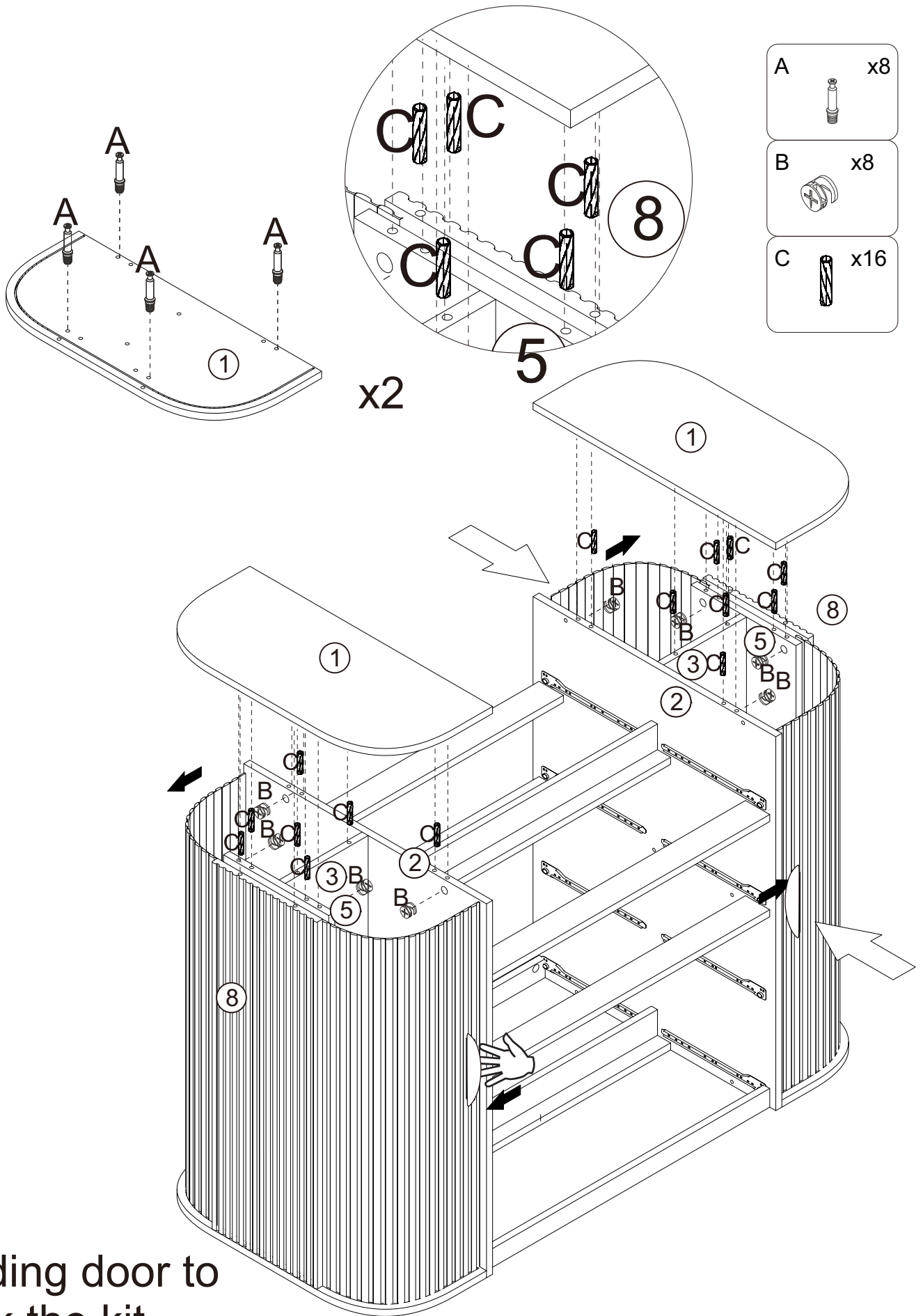
11



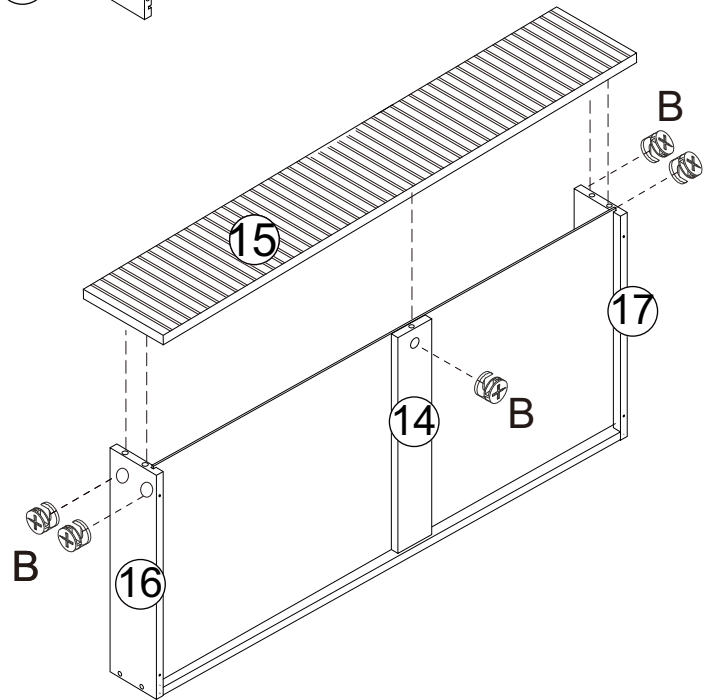
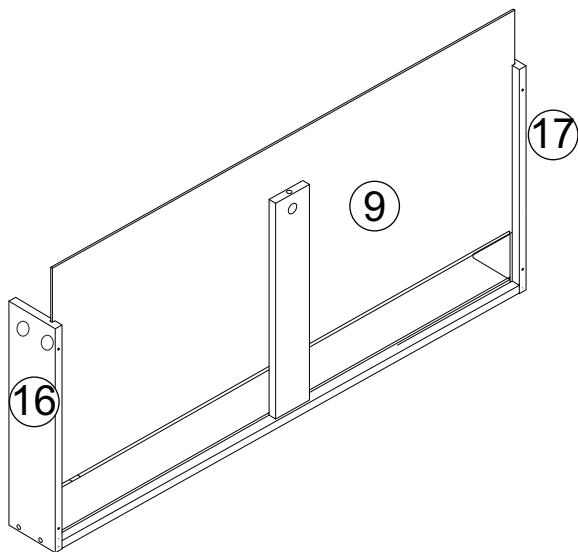
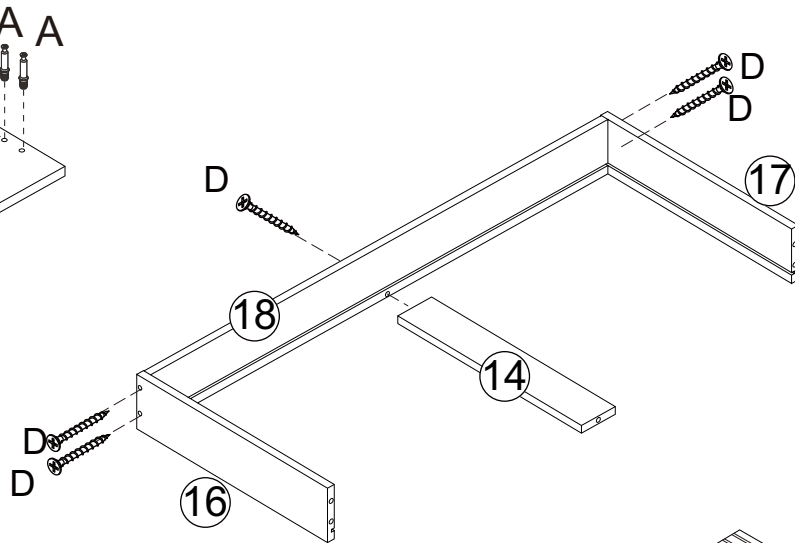
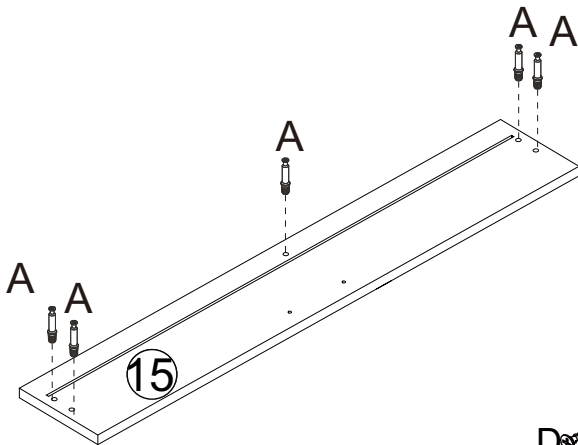
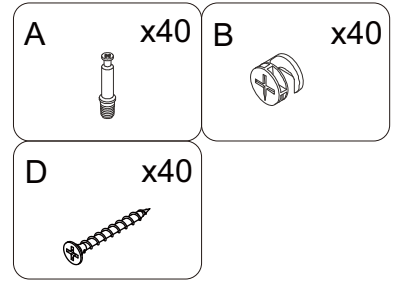
X4



12

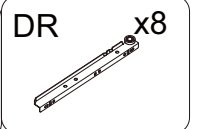
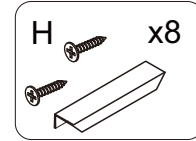
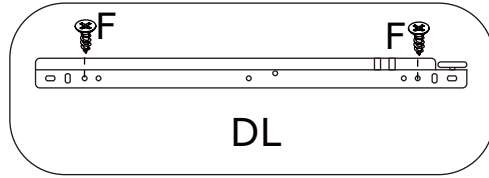
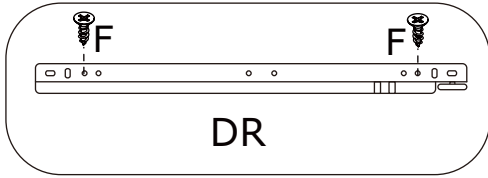


13

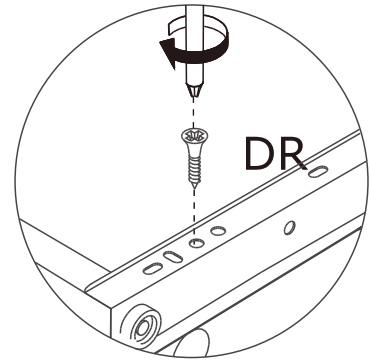
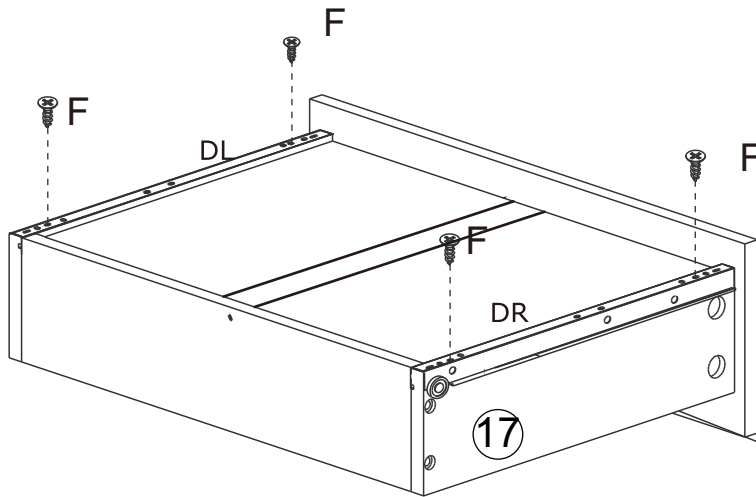


x8

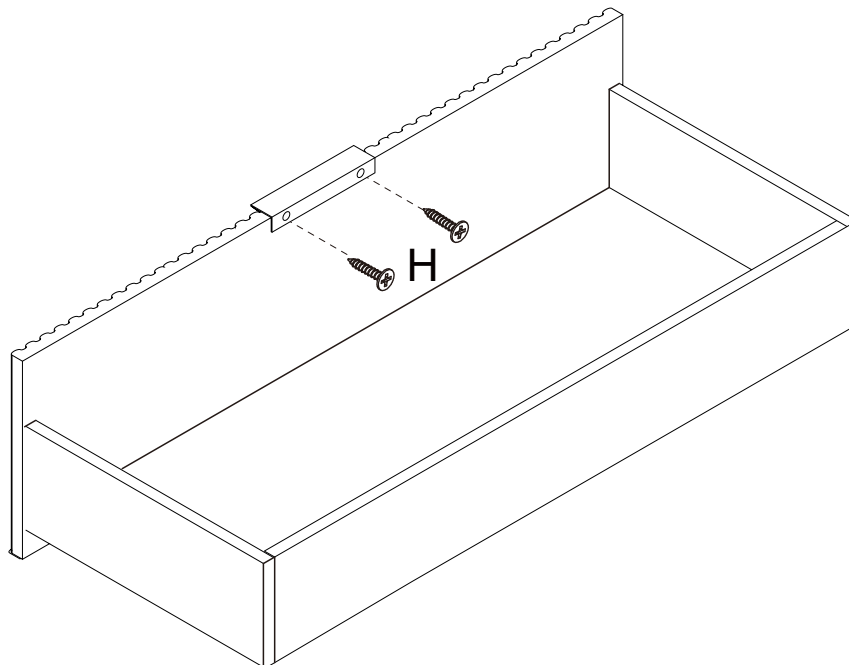
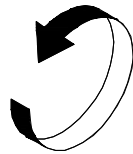
14



16

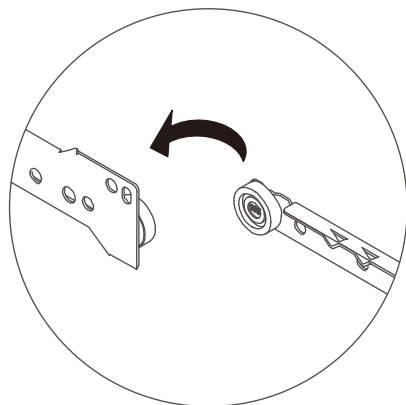
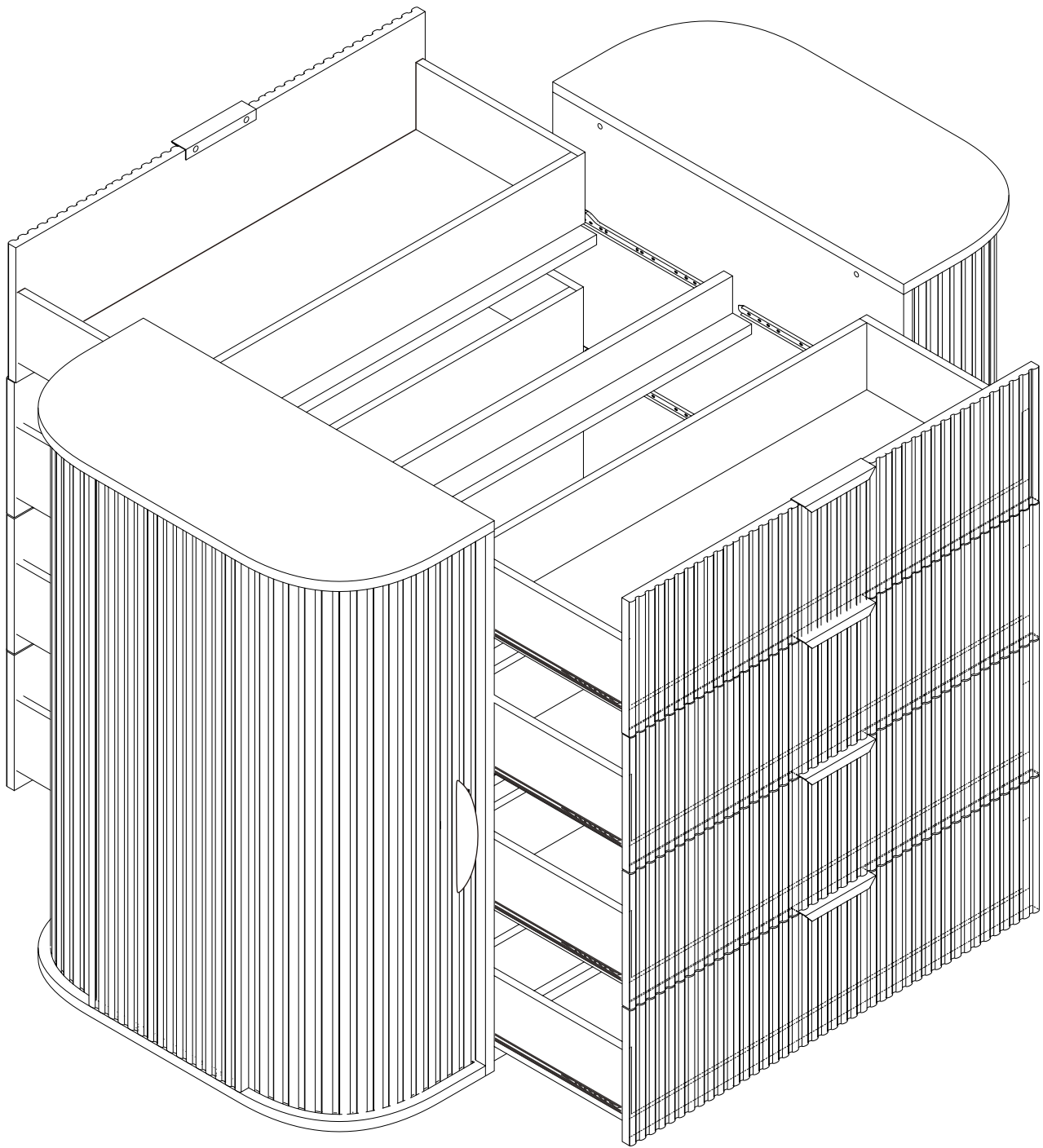


First push the drawer in to install the pull handle.





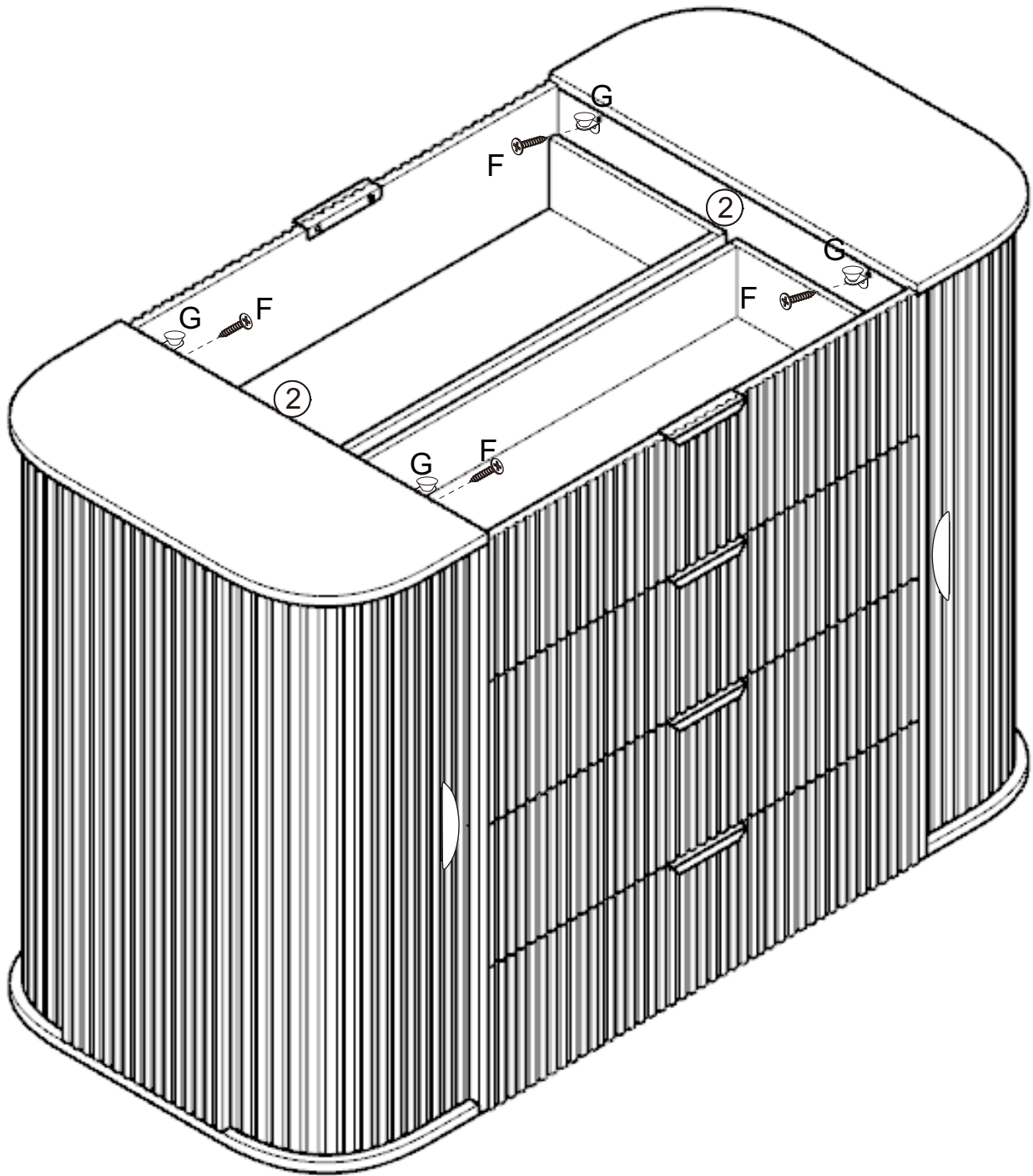
x8

15



16

- F x4 
- G x4 



17

