


# ASSEMBLY INSTRUCTIONS

Read this instruction carefully. See hardware and Furniture part list for guidance.  
 Be sure all parts are complete, before you assemble. Pace all wooden prevent from being scratched.  
 Follow the figure to start assembling.

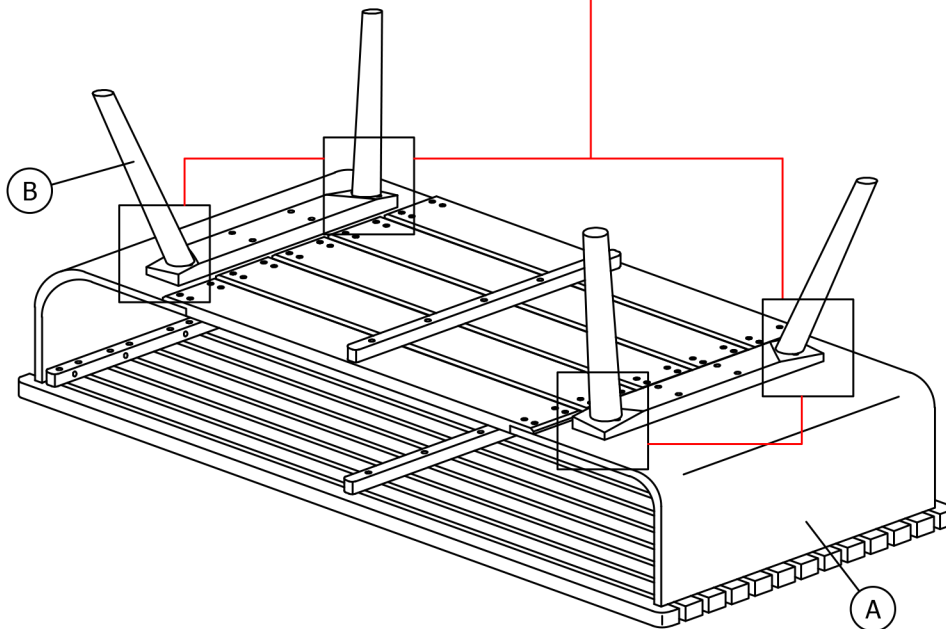
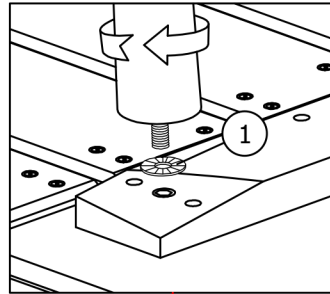
PART LIST		
ITEM	DESCRIPTION	QTY
A	TABLE TOP	1 PC
B	TABLE LEG	4 PCS

HARDWARE LIST		
ITEM	DESCRIPTION	QTY
1	GASKET 	3 PCS

**CAUTIONS:** 1. Do not FULLY- TIGHTEN the nut or bolt until all nut and bolt is ready assembled.  
 2. Do not OVER - TIGHTEN the nut or bolt avoid causing damages to the thread.  
 3. Keep all hardware parts out of reach of children.

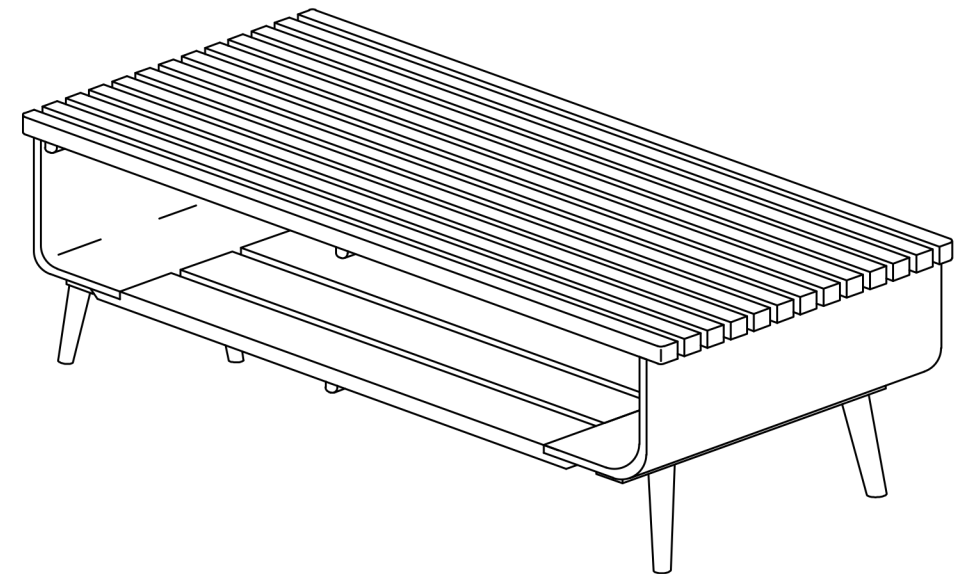
**NOTE:** THE LIST AND QUANTITY SHOWN ARE FOR 1 UNIT ASSEMBLY.

## STEP 01



Warm Reminder : Gasket is not essential when assemble, but if realize which leg is shaking then can assembly gasket at that leg, that'll be solve the problems of shake.

## STEP 02



**FULLY SET-UP (TABLE)**