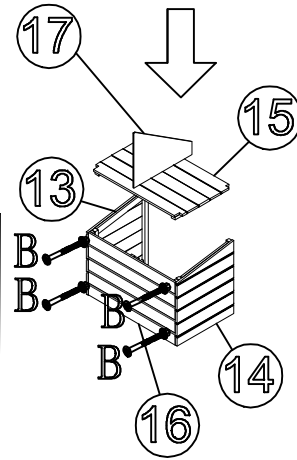
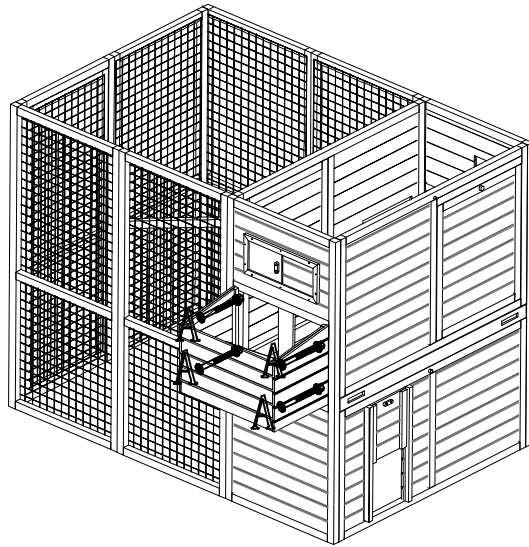
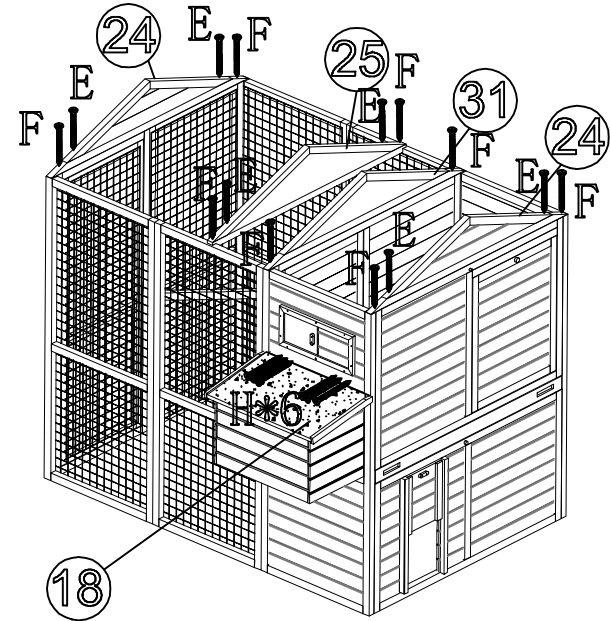


A M6*60 4PCS
 B M6*50 4PCS



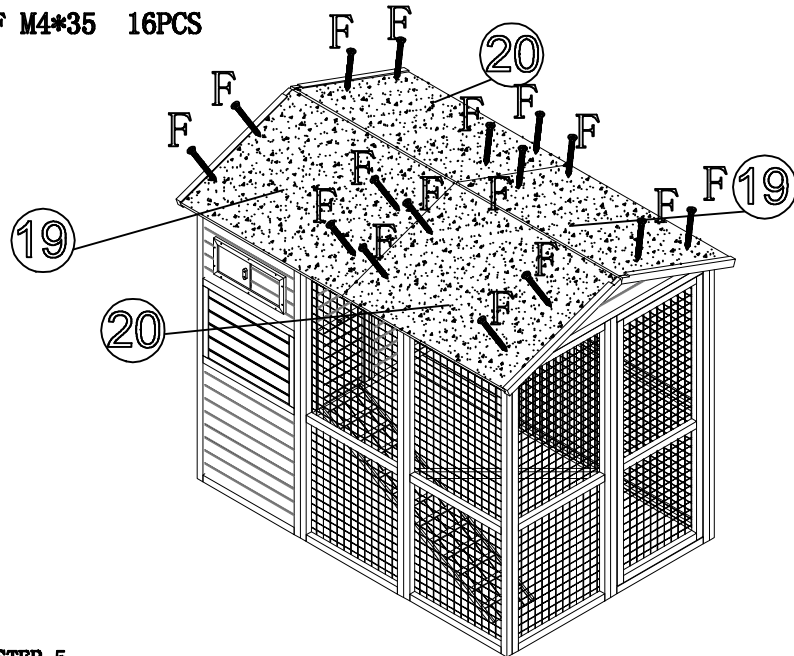
STEP 3

E M4*40 6PCS
 F M4*35 8PCS
 H M3*16 6PCS



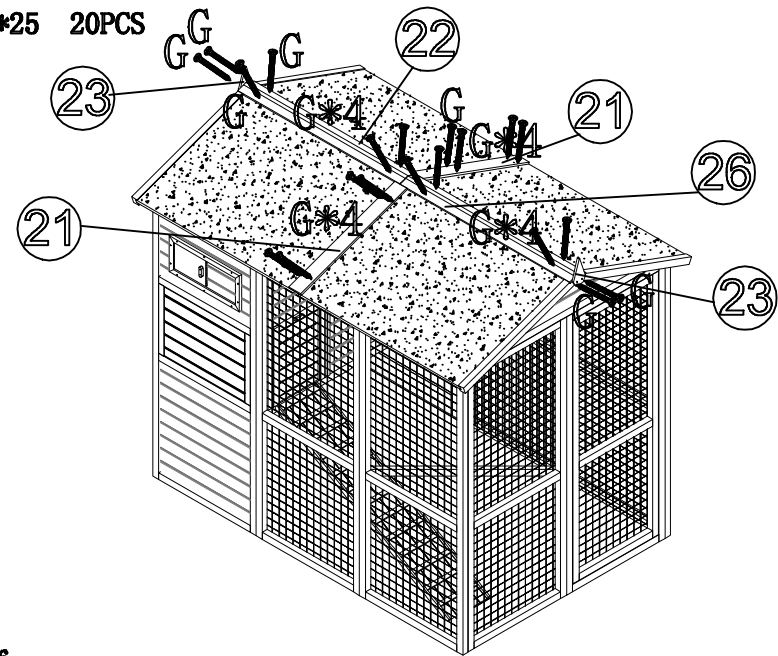
STEP 4

F M4*35 16PCS



STEP 5

G M4*25 20PCS



STEP 6