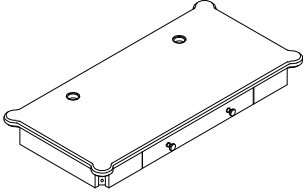





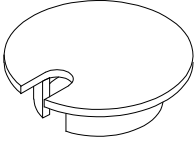


# ASSEMBLY INSTRUCTIONS

## WRITING DESK

NOTE: KEEP THIS DOCUMENT FOR REFERENCE IN CASE PARTS ARE NEEDED  
DO NOT TIGHTEN SCREWS UNTIL COMPLETELY ASSEMBLED!!  
UNIT SHOULD BE ASSEMBLED BY TWO OR MORE PEOPLE.

No	PART LIST		Q'TY
A		WRITING DESK TOP	1PC
B		LEGS	4PCS

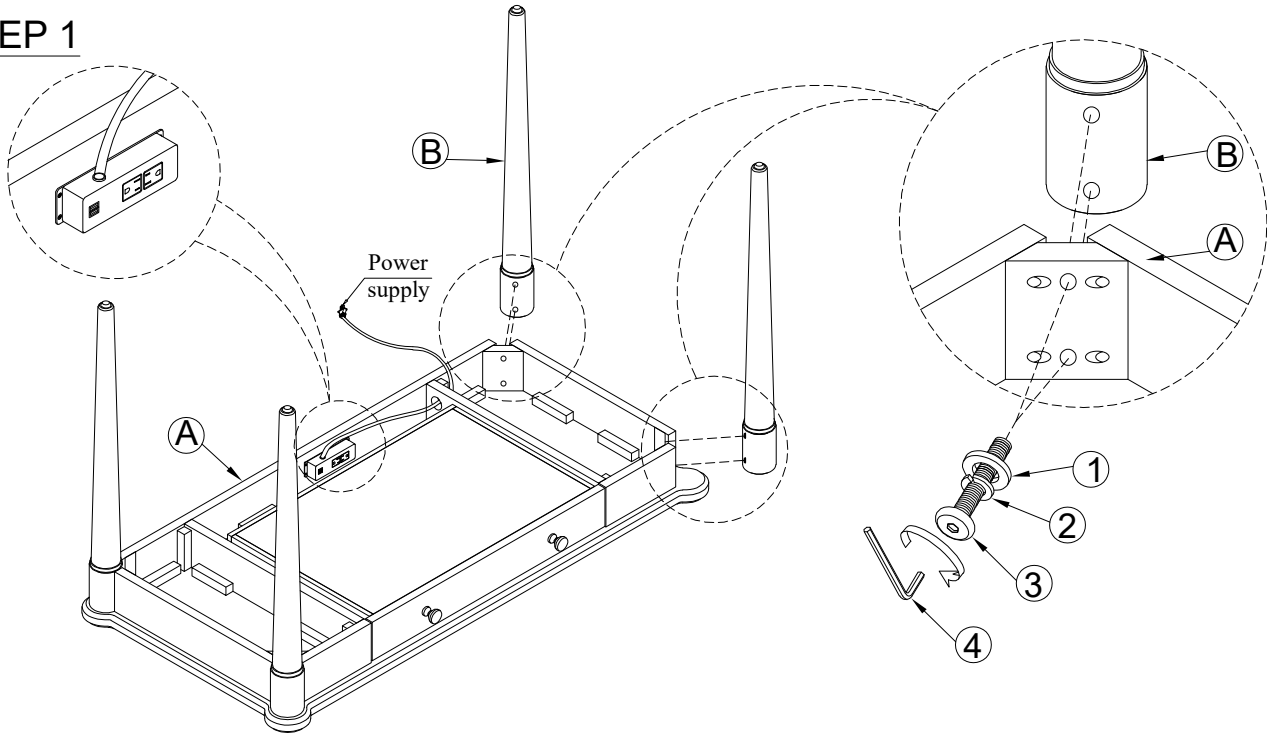
No	HARDWARE LIST			Q'TY
1		FLAT WASHER	ø5/16 x 19 x 1.5mm	8PCS
2		LOCK WASHER	ø5/16 x 13 x 1mm	8PCS
3		ALLEN BOLT	ø5/16 x 2-1/2"	8PCS
4		ALLEN KEY	2-3/8 x 4mm	1PC
5		METAL WIRE GROMMET		2PCS

# ASSEMBLY INSTRUCTIONS

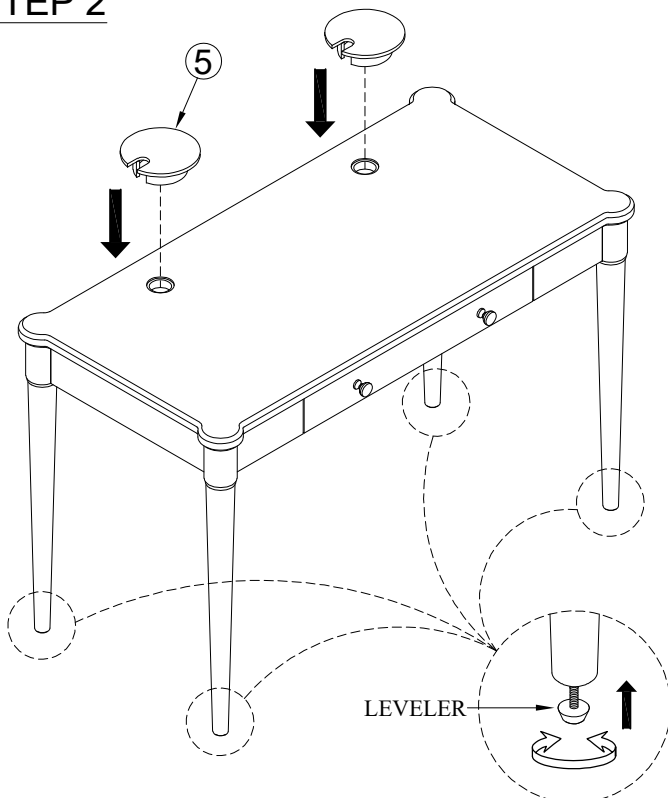
## WRITING DESK

NOTE: KEEP THIS DOCUMENT FOR REFERENCE IN CASE PARTS ARE NEEDED  
DO NOT TIGHTEN SCREWS UNTIL COMPLETELY ASSEMBLED!!  
UNIT SHOULD BE ASSEMBLED BY TWO OR MORE PEOPLE.

### STEP 1



### STEP 2



### COMPLETED

