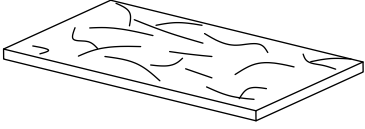
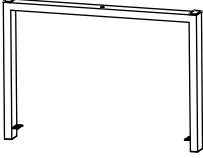
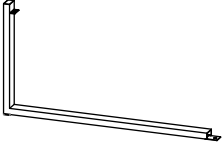
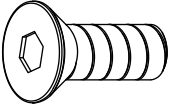

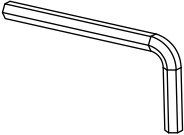
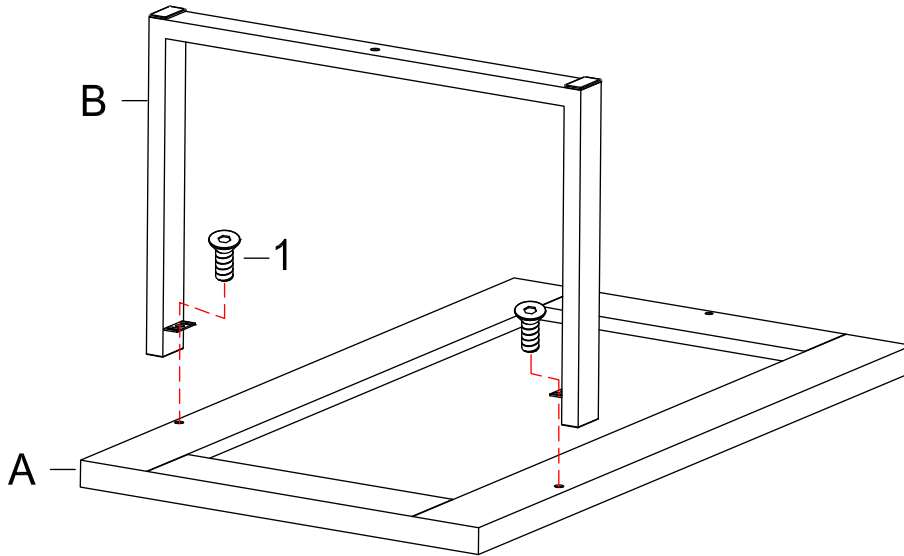


ASSEMBLY INSTRUCTIONS

A	B	C
 <p>WOOD TOP 1PC</p>	 <p>LARGE LEG 1PC</p>	 <p>SMALL LEG 1PC</p>
<p>1</p>	<p>2</p>	<p>3</p>
 <p>BOLT 1/4" X 1/2" 4PCS</p>	 <p>END CAP 3PCS</p>	 <p>ALLEN WRENCH 1PC</p>

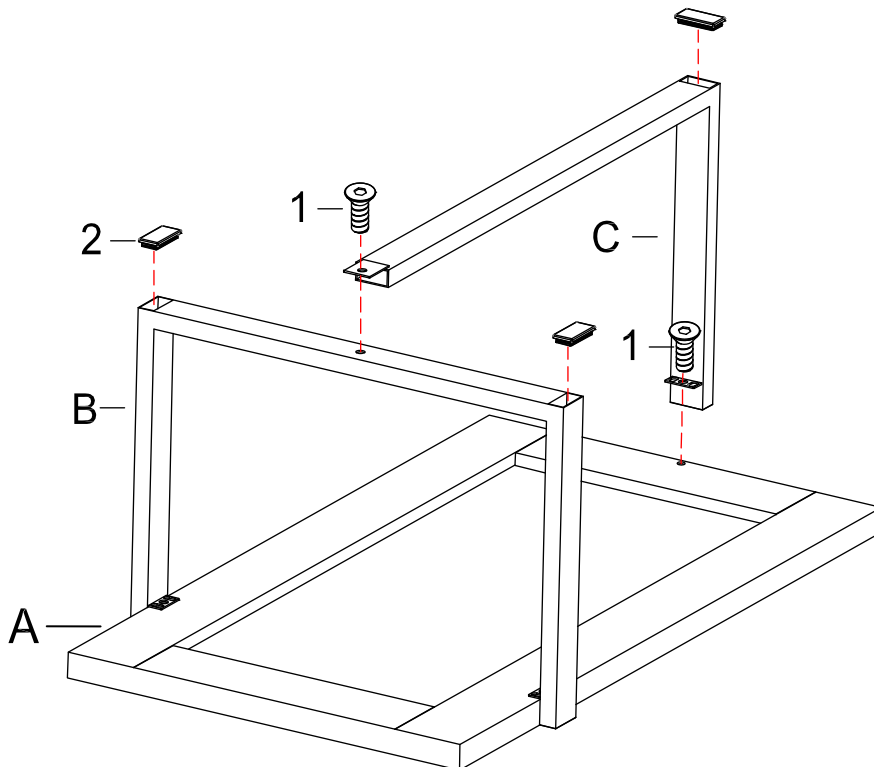
***** Do not tighten screws & bolts until the entire unit is completely assembled. *****

STEP 1



Attach large leg (B) to the wood top (A) using bolts (1) as shown.

STEP 2



Attach small leg (C) to the wood top (A) and large leg (B) using bolts (1) , then attach the end caps (2) to all the legs bottom (B.C) as shown.

Tighten all bolts and carefully turn the assembled unit upright.

Your coffee table now is completed.