
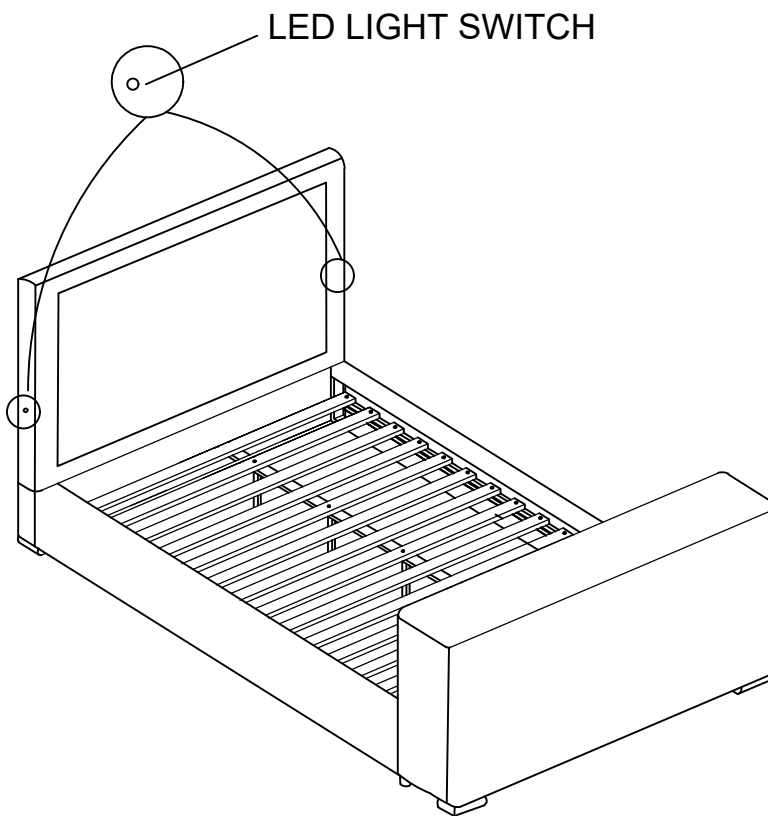


# ASSEMBLY INSTRUCTIONS

---



Screwdriver  
( Not Included )

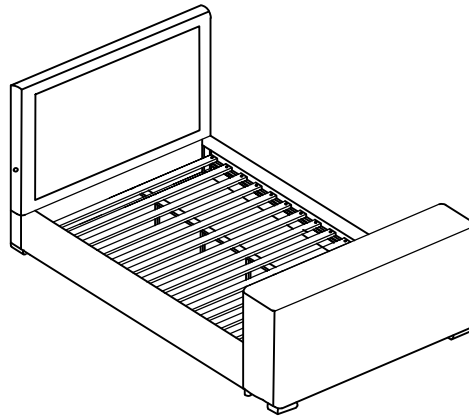


Allen Wrench  
( Included )

Enjoying this product? We'd love your 5-star review!

If you have any issues, our support team are happy to help.

---



## CHECK BEFORE STARTING

### Are you missing anything?

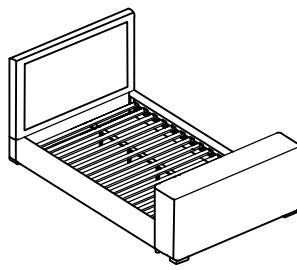
Please double check all hardware and parts match the assembly guide before putting the product together. If damaged, we suggest you put the item back in the box and start your claim or return

### Should we send any replacements?

If there are any manufacturer defects or missing pieces please contact us for replacements. If purchased online, please contact the website of where you purchased it from, DIRECTLY

## IMPORTANT INFO before assembly:

- If there's a problem with the parts do not attempt to assemble the product
- Place all parts on a clean and smooth surface such as a rug/carpet to avoid parts from being scratched
- When tightening screws to product do not overtighten until product is fully setup
- If product is too heavy for a single person to carry do not attempt and ask for assistance
- DO NOT DRAG or PUSH item to desired location. Must be carried when moving
- If item is not working as intended please review the assembly guide to see if any steps were missed or incorrectly built. If there's a problem with part please contact seller for additional assistance
- Please keep all hardware and small parts away from pets/infants
- Please wear gloves or protective gear to protect from getting cuts
- It is normal for new furniture to have an off gassing smell. Please air out furniture near a window for a few hours or a day before placing it in its desired location
- All products may have a slight color and texture variation due to different shipments, natural materials, screen-resolutions, or lighting in home. Images are rendered by different devices or websites

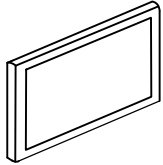


Please keep instructions for future reference  
 Check the quantity and irregularity of parts  
 and hardware before you start  
 If assembly guide is misplaced, please visit our website for a copy

## KING BED

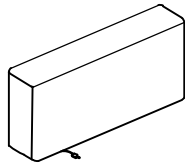
### Part List

#1 x 1pc



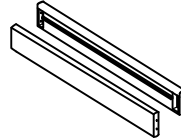
Headboard

#2 x 1pc



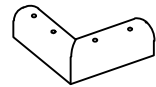
Footboard

#3 x 2pcs



Rail

#4 x 4pcs



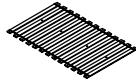
Leg

#6 x 4pcs



Support Leg

#7 x 13pcs



Slat

#8 x 1pc



Support Slat

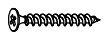
#9 x 2pcs



Leg FB

### Hard ware List

#A x 26pcs



Screw #8x38mm

#B x 8pcs



Threaded Stud Ø5/16" x 3-1/4"

#C x 8pcs



Lock Washer Ø5/16"

#D x 8pcs



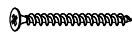
Flat Washer Ø5/16"x22mm

#E x 8pcs



Hex Nut Ø5/16"x12mm

#F x 2pcs



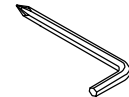
Screw #8x55mm

#G x 16pcs



Screw #8x25mm

#H x 1pc



Allen Key & Screwdriver

#I x 1pc



Wrench 12mm

#J x 1pc



Power Supply

If any parts/hardware listed are damaged or missing  
 Please contact the seller for additional assistance

1PC

1PC

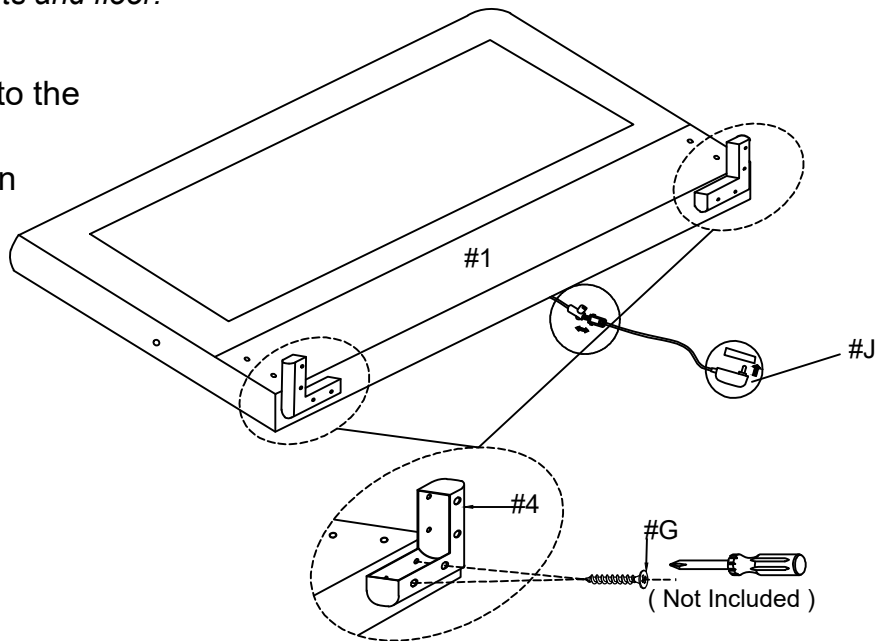
# ASSEMBLY INSTRUCTIONS

## IMPORTANT

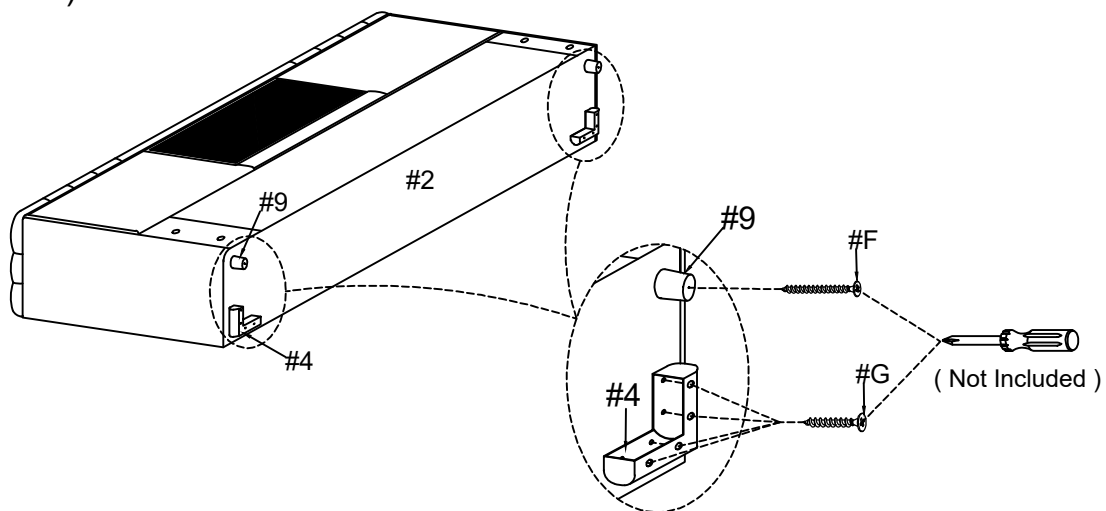
\*Please keep Hex Wrench in a safe place as you may need to tighten up the Bolts in the future

\*Use a soft cloth between these parts and floor.

Step 1: Attach the legs (#4) to the Headboard (#1) use Screw (#G) with Allen Screw Driver (NOT INCLUDE).



Step 2: Attach the FB Legs (#9) to the Footboard (#2) use Screw (#F) with Allen Key (#H) ; and Attach the Legs (#4) to the Footboard (#2) use Screw (#G) with Screw Driver (NOT INCLUDE).



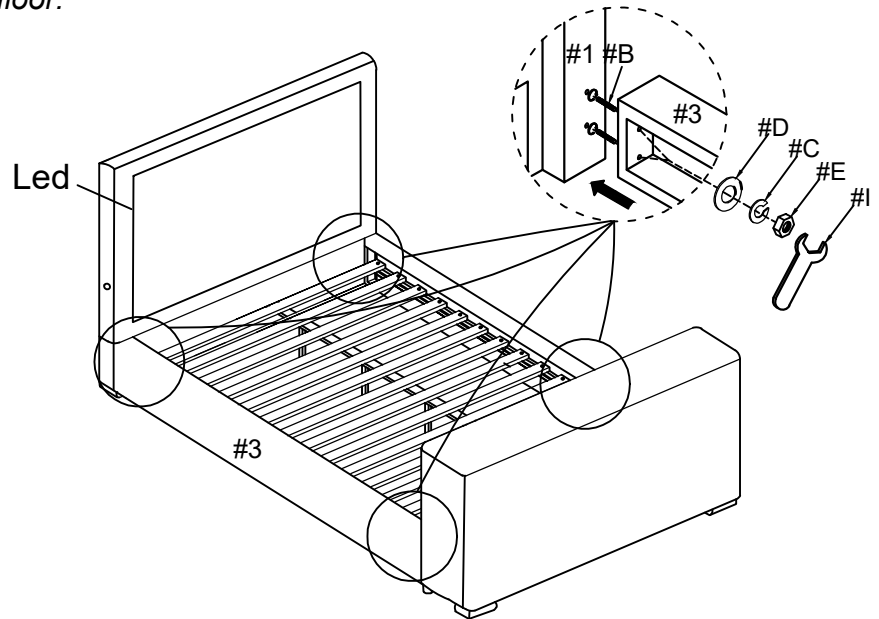
# ASSEMBLY INSTRUCTIONS

## **IMPORTANT**

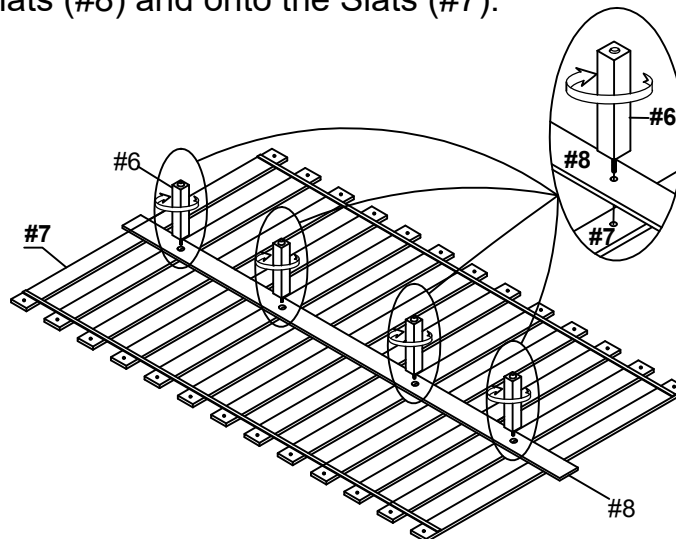
*\*Please keep Hex Wrench in a safe place as you may need to tighten up the Bolts in the future*

*\*Use a soft cloth between these parts and floor.*

**Step 3:** Attach Rails (#3) to Headboard and Footboard using Threaded Stud (#B) and Lock Washer (#C) and Flat Washer and #E Hex Nut (#E) with Wrench (#I).



**Step 4:** Align the Support slat (#8) onto the Slats (#7). Secure by twisting the Support legs (#6) through the Support slats (#8) and onto the Slats (#7).



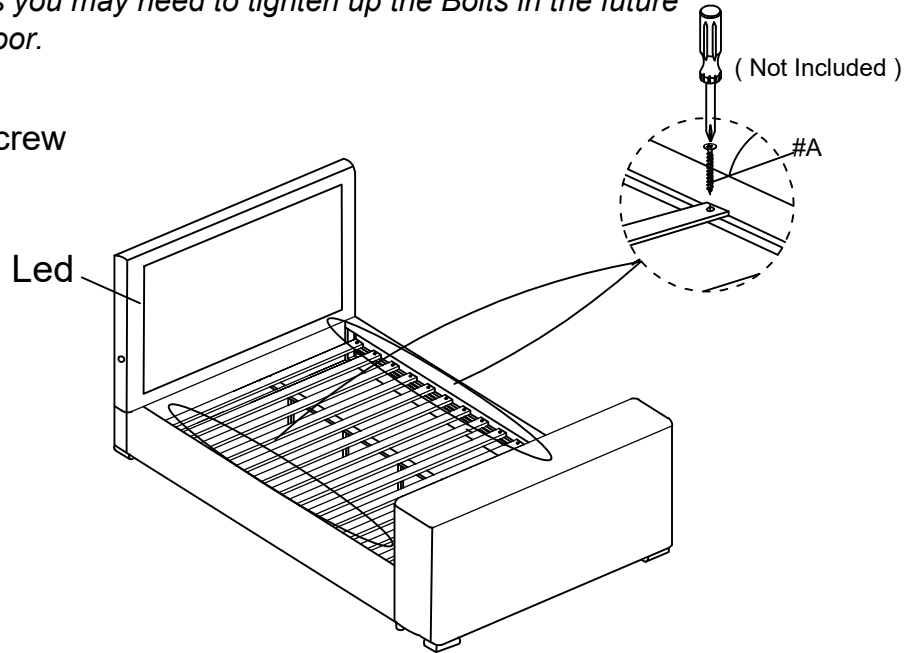
# ASSEMBLY INSTRUCTIONS

## **IMPORTANT**

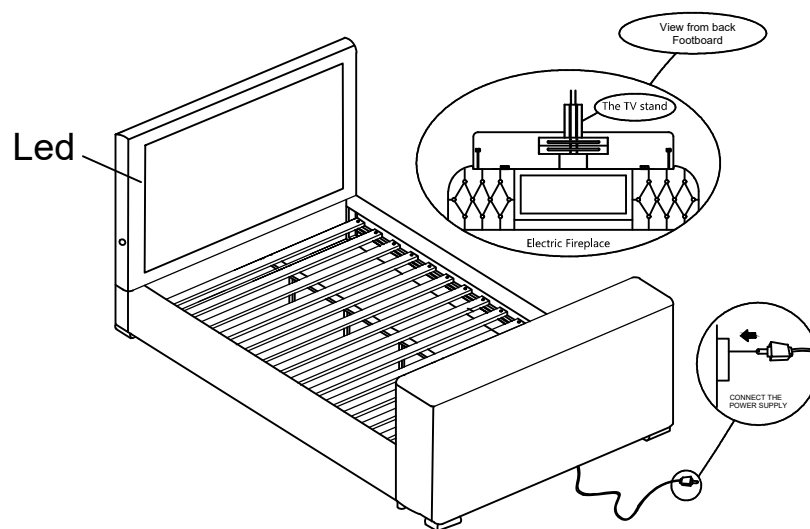
*\*Please keep Hex Wrench in a safe place as you may need to tighten up the Bolts in the future*

*\*Use a soft cloth between these parts and floor.*

**Step 5: Attach Slat to the Rail using Screw (#A) with Screw Driver(NOT INCLUDE).**



**Step 6: Connect the power supply.**



# ASSEMBLY INSTRUCTIONS

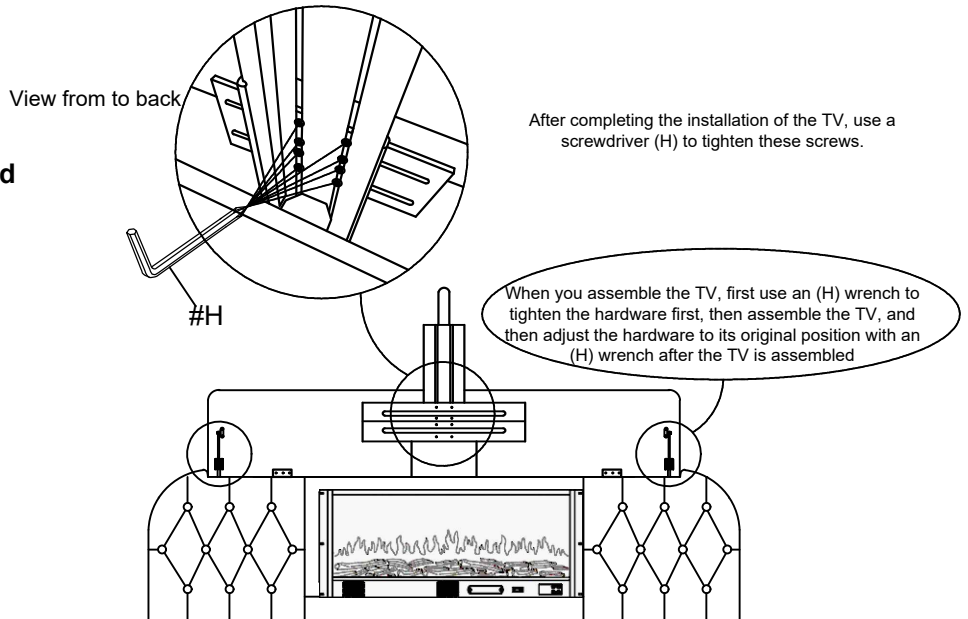
## IMPORTANT

\*Please keep Hex Wrench in a safe place as you may need to tighten up the Bolts in the future

\*Use a soft cloth between these parts and floor.

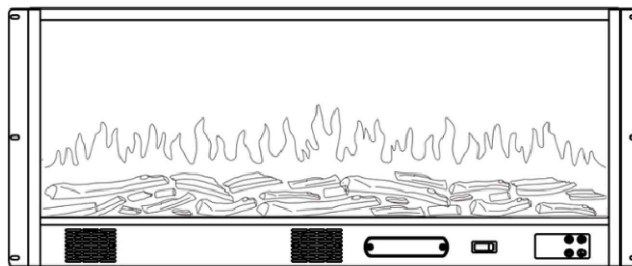
## Step 7

To complete this step, you must read the TV stand instructions on pages 18-23. Then move the bracket up to install the TV.



## ELECTRIC FIREPLACE HOMEOWNERS OPERATING MANUAL

## Step 8



### CONSUMER SAFETY INFORMATION:

Please read this manual before installing and operating this appliance. Failure to follow these instructions may result in electric shock, fire hazard or injury and will void the warranty.

### WARNING: ⚠

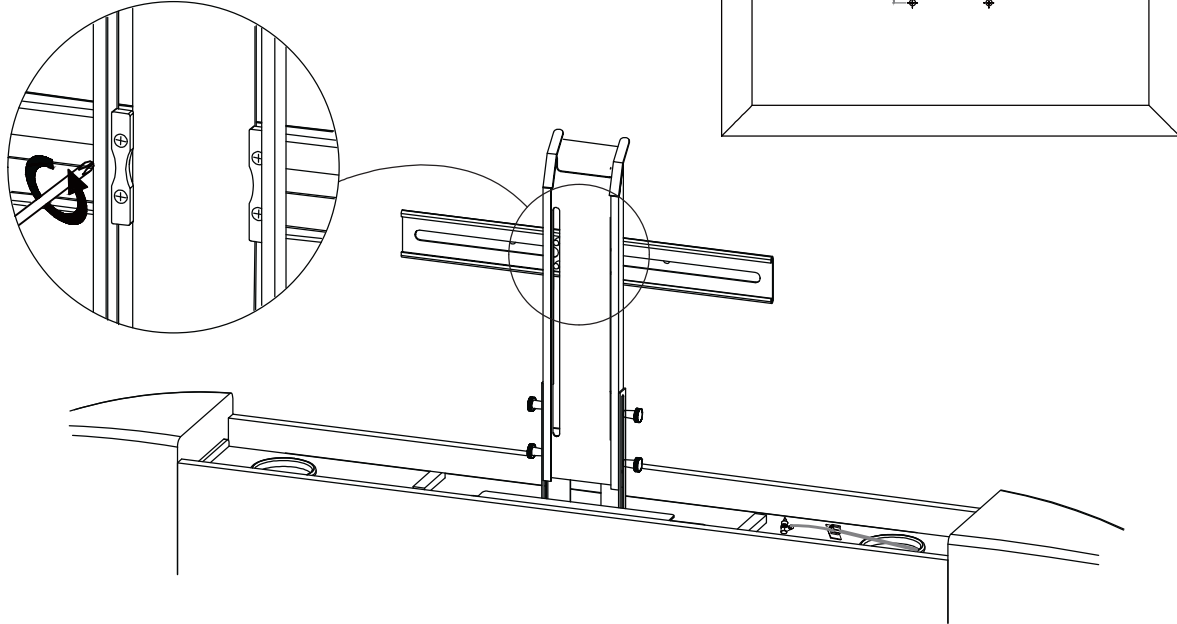
If the information in this manual is not followed, electrical shock or fire may result in property damage, personal injury, or loss of life.

This instruction manual contains important safety information. Please read and save it for future reference.

# STEP 7

## TV Installation - 100x100 Vesa Fixing

FIRSTLY: REMOVE THE TELEVISION CROSS-BRACKET FROM THE LIFTING COLUMN BY REMOVING THE 4 SCREWS FROM THE TWO CLAMPING PLATES

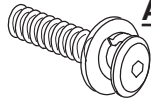


**IF SCREWS ARE SUPPLIED WITH TV, PLEASE USE THOSE IN PREFERENCE**

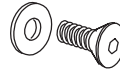
**Choose a suitable set of hardware, After market hardware EXAMPLES below.**

**Actual product may vary. \*NOT INCLUDED\***

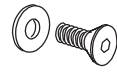
a) Bolt sets  
M8 x 25mm



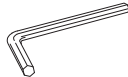
Counter-Sunk Screw sets (M6x12mm)



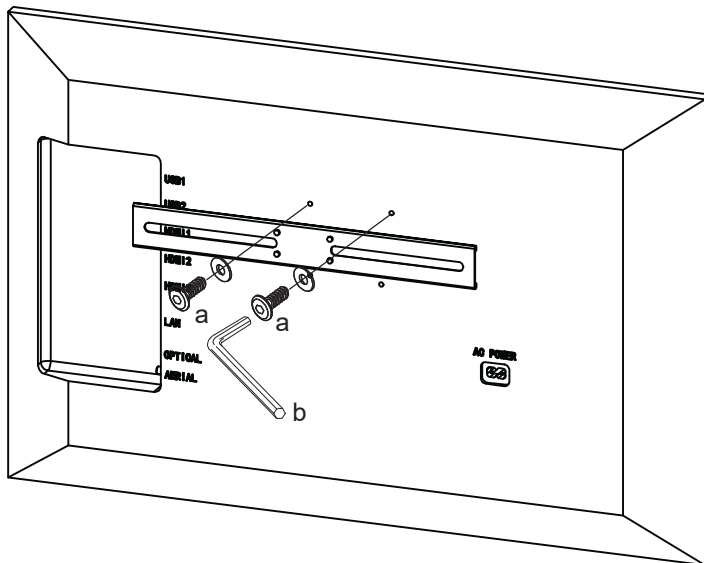
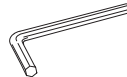
Counter-Sunk screw sets (M4x12mm)



b) Allen Key (2.5mm)



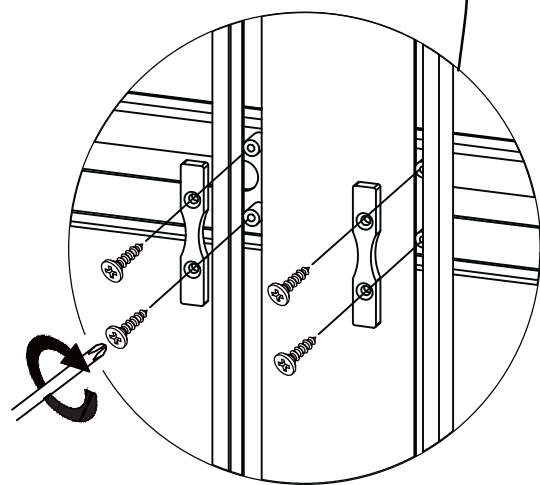
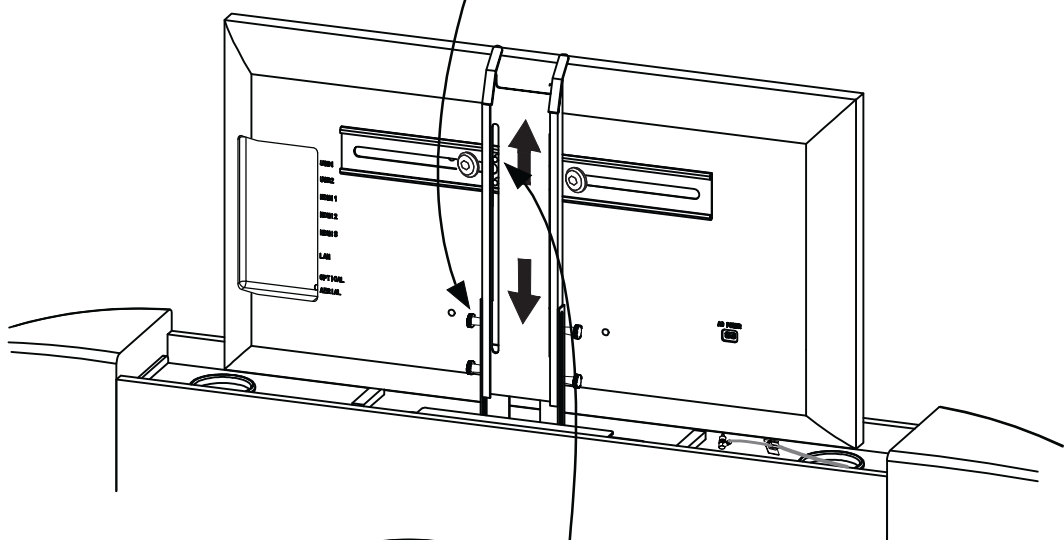
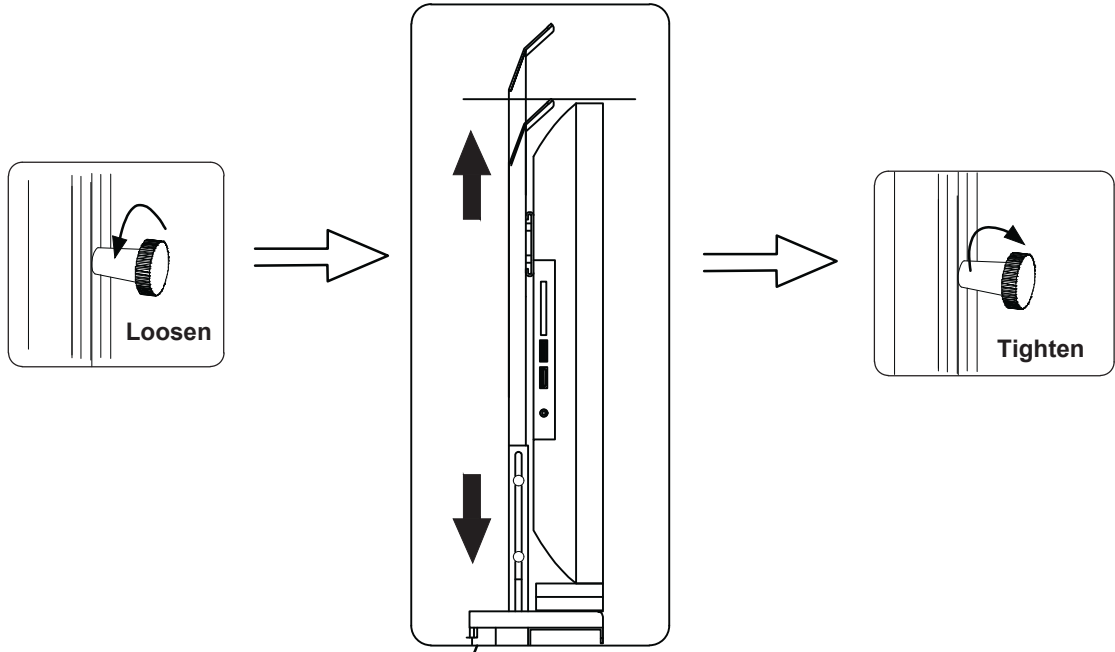
Allen Key (4mm)



**SECONDLY: FIX THE BRACKET DIRECTLY TO BACK OF THE TV**

# STEP 8

**THIRDLY: MAKE THE NECESSARY ADJUSTMENTS**



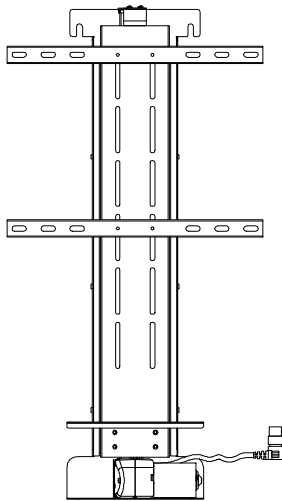
**FINALLY WHEN ALL ADJUSTED  
SCREW THE TWO CLAMPING  
PLATES BACK INTO POSITION**

# User Guide

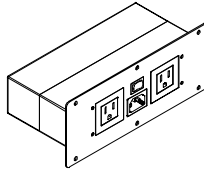
Important instructions. Retain for future use.  
PLEASE READ THESE INSTRUCTIONS  
THOROUGHLY BEFORE USING THIS PRODUCT !!!

## 1. Details of main components of the equipment

a. Lift TV rack



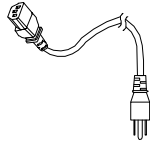
b. Host control box



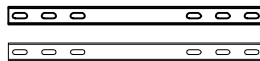
c. Remote controller



d. USA standard power cord

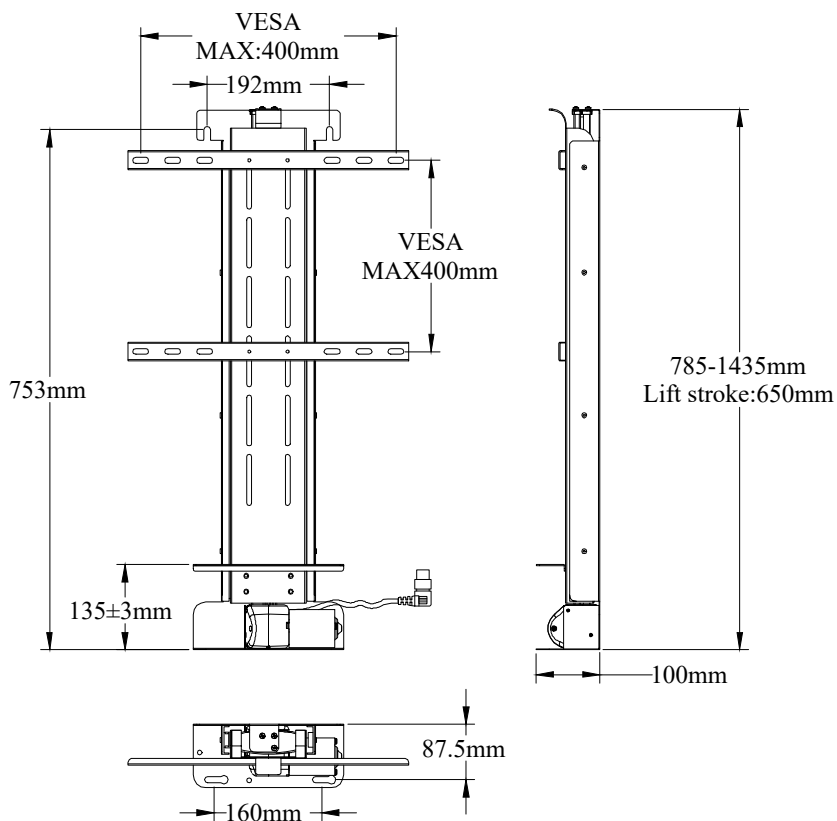


e. TV fixed hanging strip

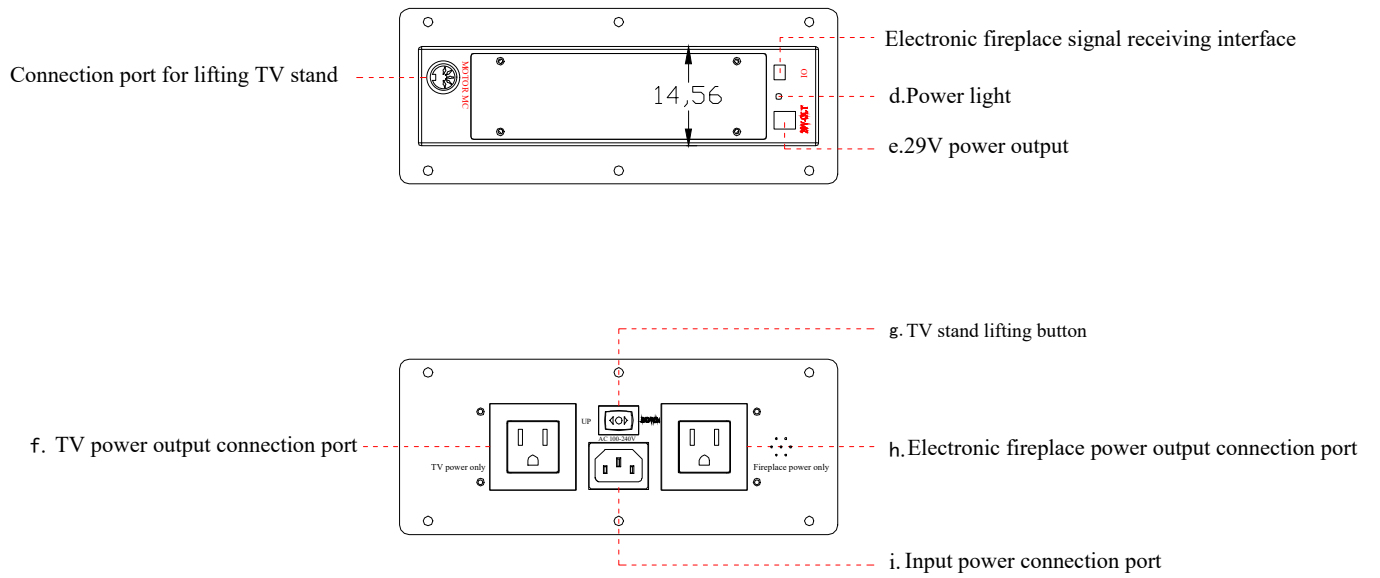


## 2. Specification Specification for TV Stand

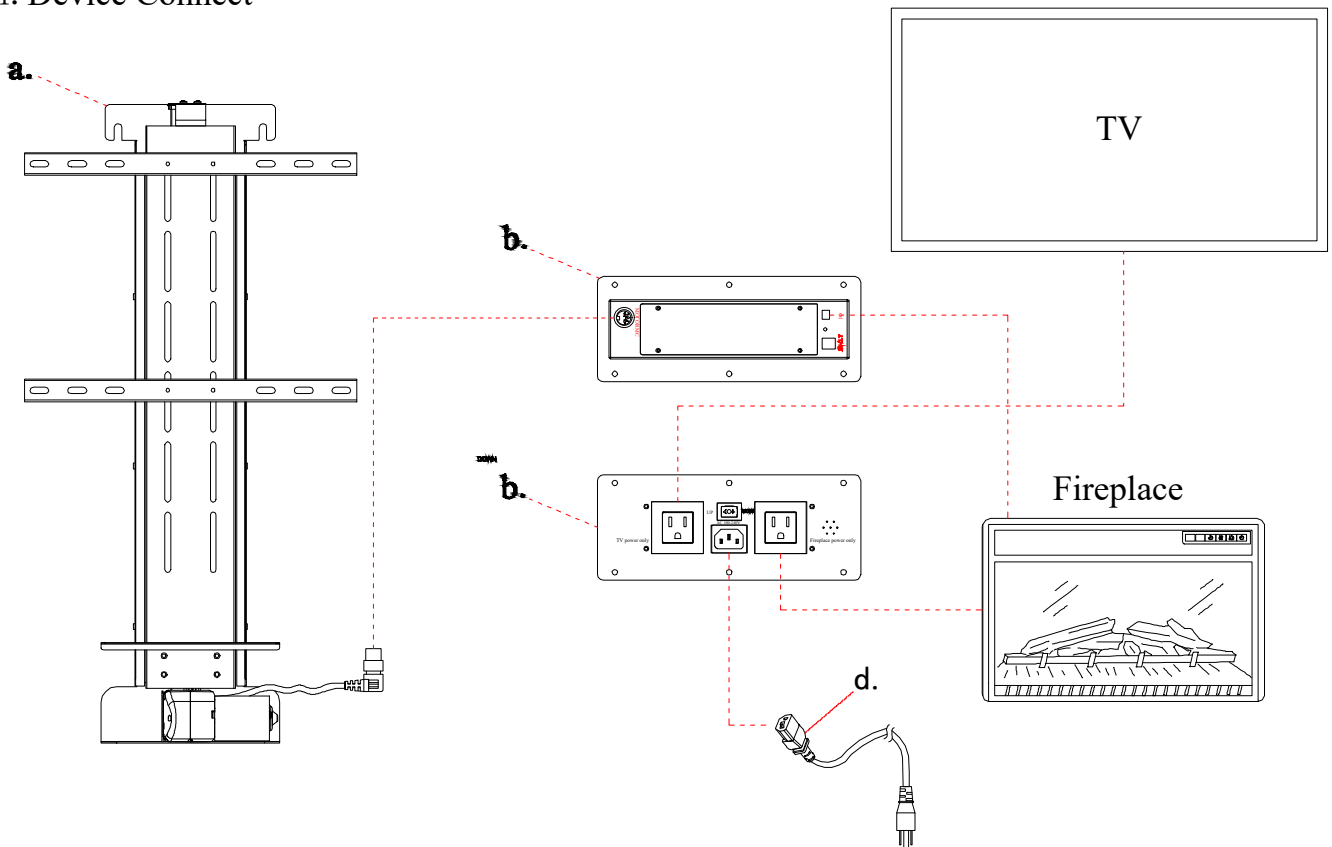
a. TV lift frame size



### 3. Description of Host Control Box



### 4. Device Connect



## 5. Operating instructions

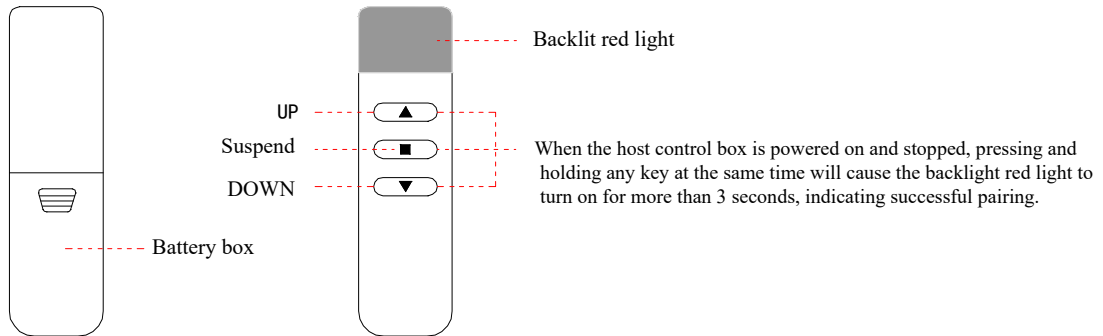
### Preparation

#### Device Connect

Please connect according to the overall diagram in the specification sheet and then turn on the power

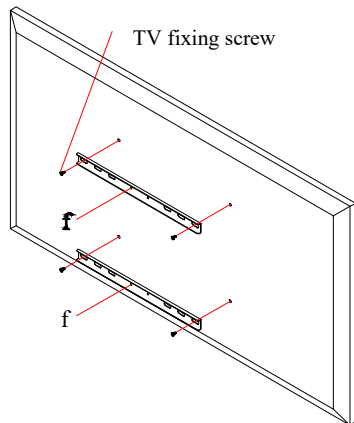
#### Operating Instructions for Wireless Hand Controller

Install the battery into the controller and press and hold any key until the red light on the black area of the controller lights up. Then, pair the remote control with the control box. After completion, the following operations can be performed normally;



## 6. Installation instructions for TV stand frame

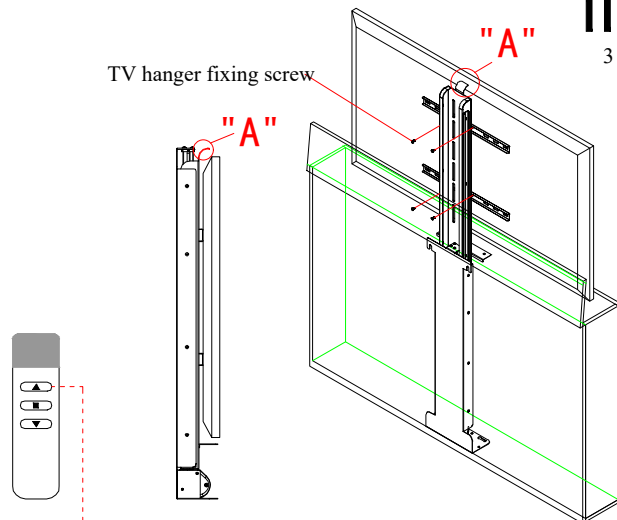
### Step.1



### Step.1

Use the screws provided with the TV to screw the "f" The TV hanger is fixed to the screw hole on the back of the TV

### Step.2



### Step.2

Use the matching hanging strip screws to fix the hanging strip to the TV lifting frame, paying attention that the TV installation degree should not exceed point "A"

## 7. Common fault handling

Fault phenomenon	Possible reasons	Solution
The machine is not working	<p>Is the push rod connection correct</p> <p>Is the power plug defective</p> <p>Did you use the provided power adapter</p>	<p>Check the connection according to the specification sheet</p> <p>Check if the power plug is in good contact and if it is properly plugged in</p> <p>The output power supply of the push rod should be equipped with 29V/2A, and the plug pins should be in accordance with the corresponding national standards</p>
The machine suddenly stops or malfunctions during operation	<p>Insufficient battery power</p> <p>Whether the load exceeds the standard</p> <p>Program malfunction caused by incorrect operation</p> <p>Loose connection and poor contact</p>	<p>Please replace the battery</p> <p>Please use according to the prescribed requirements</p> <p>Disconnect the control box from the power supply and wait for 2 minutes before reconnecting</p> <p>Please check the relevant connectors and reconnect them</p> <p>Pair the remote control with the control box according to "3.1" in the instruction manual</p>

If none of the above methods can solve the problem, please contact the manufacturer in a timely manner

## 8. work environment

Environmental temperature: -25 ° C to +40 ° C

Relative humidity: 20% to 80%

Altitude: not exceeding 1500M

Protection level: IP44

Operation mode: intermittent work, with an interval of  $\geq 2$  minutes between two operations

## 9. Matters needing attention

1. Use indoors as far as possible, avoid sun exposure, rain and moisture, and use in extreme temperature.
2. If the surface is wet and stagnant, disconnect the power supply and stop using it immediately.
3. Children must be used under adult supervision.
4. To avoid electric shock, do not remove the skin of the power cable.

# IMPORTANT INSTRUCTIONS:

When using electrical appliances, basic precautions should always be followed to reduce the risk of fire, electrical shock, and/or injury including the following:

1 Read all instructions before using this electric fireplace.

**DANGER:** High temperature may be generated under certain abnormal conditions. Do not partially or fully cover or obstruct the front of the electric fireplace.

**WARNING:** In order to avoid overheating, do not cover the electric fireplace. It cannot be used in a closet.

2 - **CAUTION:** The appliance should not be used by children or persons with reduced physical, sensory or mental capabilities.

3 - Children should be advised not to play with the appliance.

4 - Do not operate any electric fireplace with a damaged cord or plug or after the appliance malfunctions, or if it has been dropped or damaged in any manner.

5 - If the supply cord is damaged, it must be replaced by the manufacturer, its service agent or similarly qualified persons in order to avoid a hazard.

6 - Any repairs to this fireplace should be carried out by a qualified service person.

7 - Under no circumstances should this fireplace be modified. Parts having to be removed for servicing must be replaced prior to operating this fireplace again.

8 - Do not use outdoors.

9 - Do not run cord under carpeting. Do not cover cord with throw rugs, runners or the like. Arrange cord away from traffic areas and where it will not be tripped over.

10 - To disconnect this appliance, turn controls to the off position, then remove plug from outlet.

11 - Connect to properly grounded outlet only.

12 - Always plug electric fireplace directly into a wall outlet/receptacle. Never use with an extension cord or relocatable power tap (outlet/power strip).

13 - Use this appliance only as described in the manual. Any other use not recommended by the manufacturer may cause fire, electric shock or injury to persons.

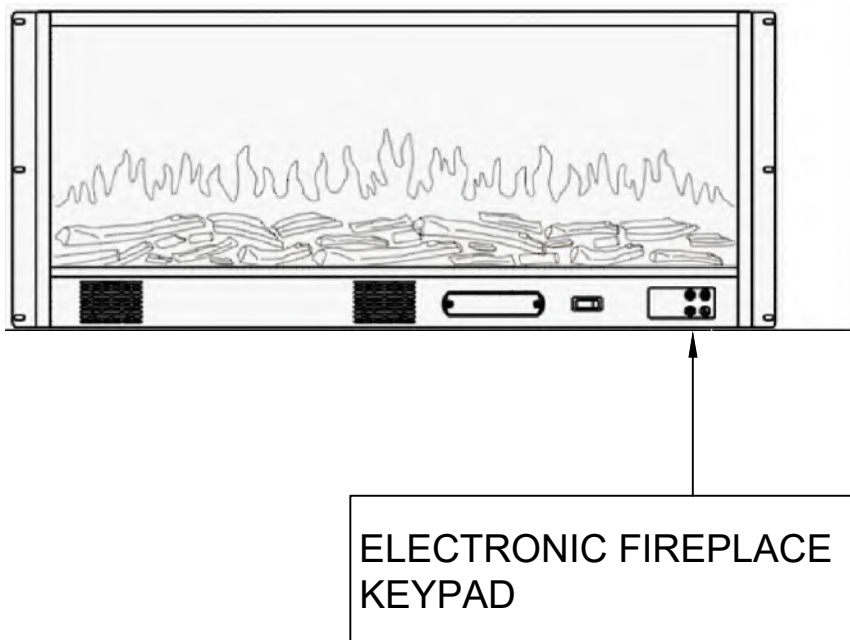
# HERE ARE TWO WAYS TO OPERATE THE ELECTRIC FIREPLACE:

1 - Keyboard operation of electric fireplace.

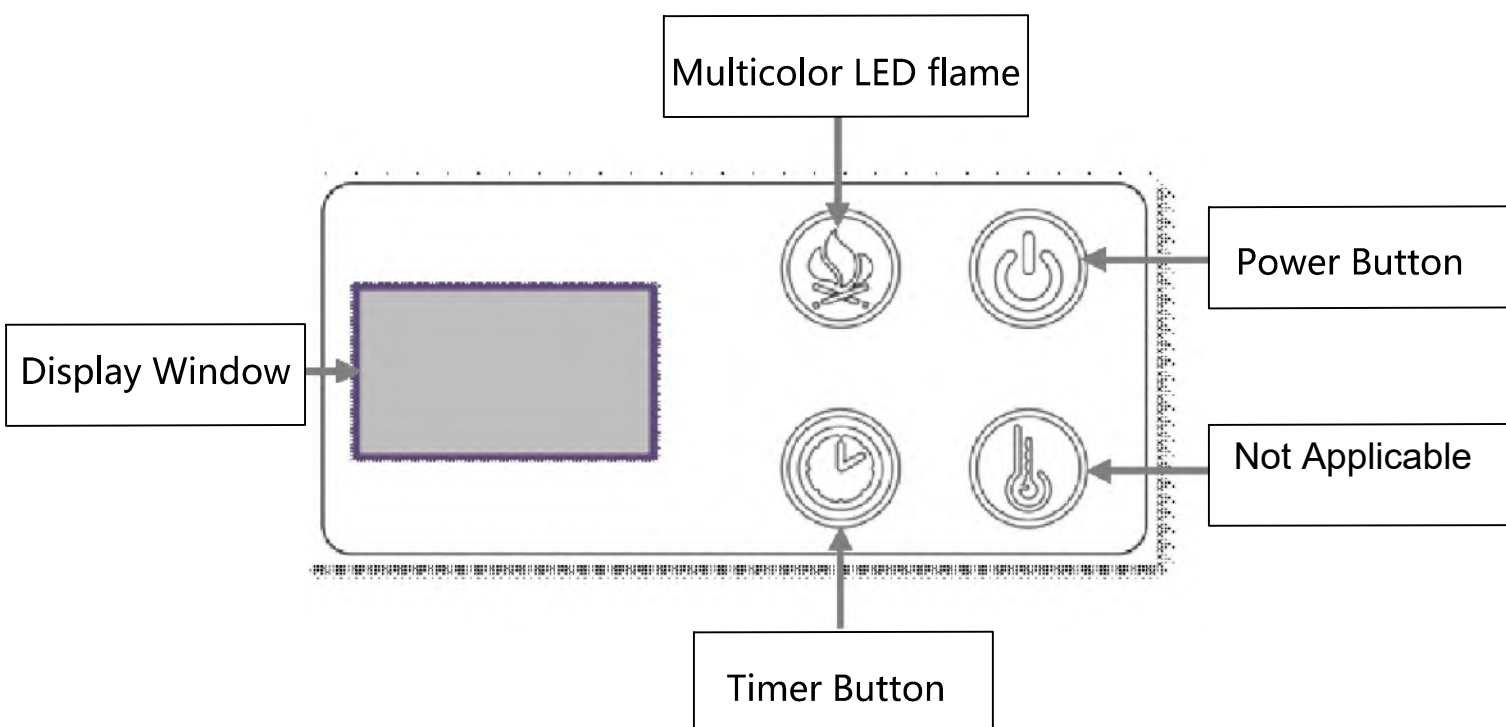
2 - Remote control operation.





The keypad is on the upper right of the electric fireplace. (See Figure 1)

Figure 1

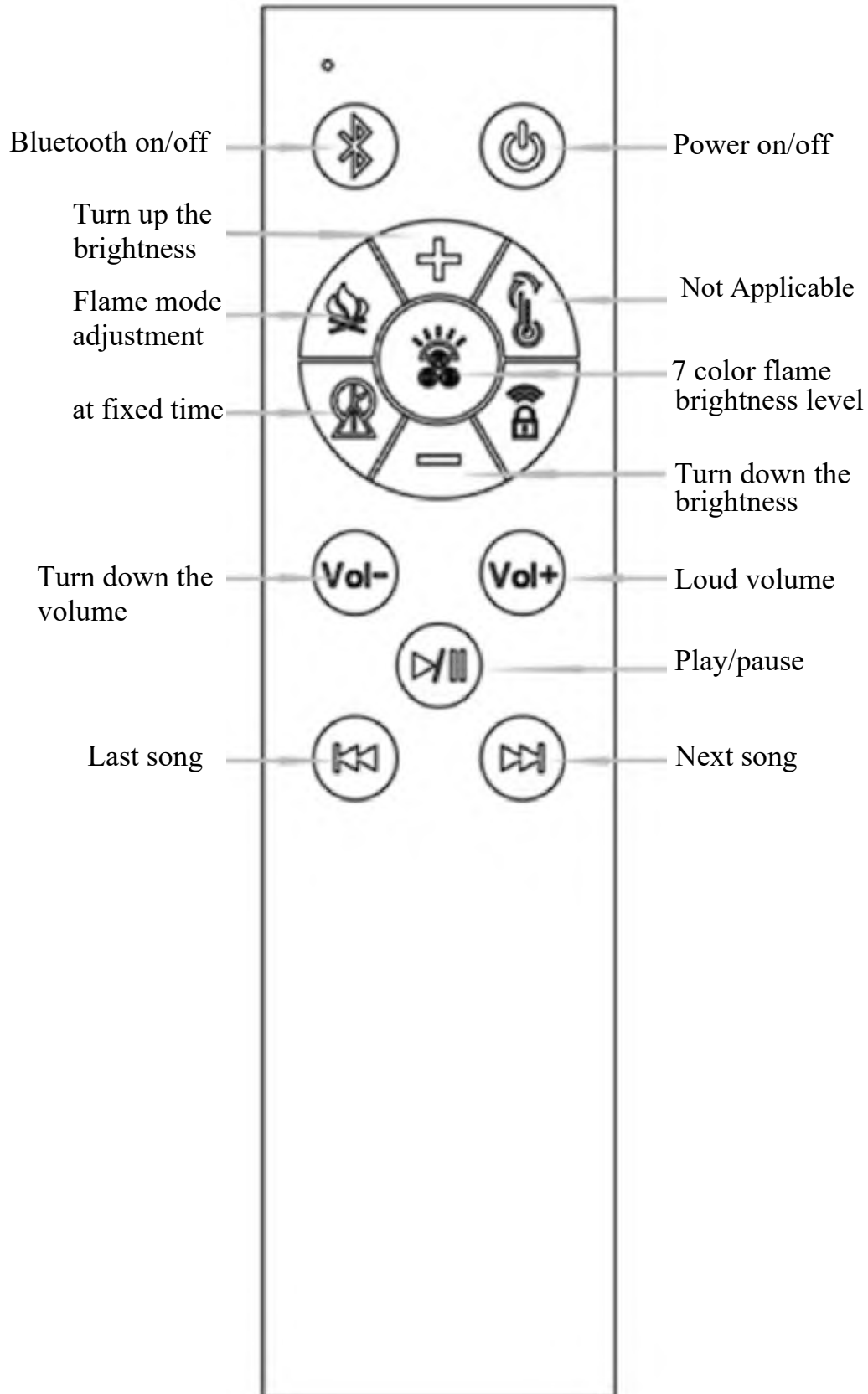


\*Keypad operation of electronic fireplace.



BUTTON	Operation	Function
 <b>Power</b>	When the Power is turned on, the display shows the ambient temperature and the flame is turned on.	
 <b>Flame</b>	Short press the flame button to turn on the flame color change;	There are L1-L7 color changes,
<p>When R is displayed, the light is adjusted by the remote control +-symbol; when H is displayed, the flame animation is frozen; when P is displayed, the flame brightness breathing mode is displayed.</p>  <b>Timer</b>	Long press the timer to turn it on or off the timer function, the default is 0.5H (timer can reach 8H).	Press timer to select time 0.5H, 1H, 2H, 3H, 4H, 5H, 6H, 7H, 8H; After 15 seconds of no operation, the setting will be automatically locked, the timer will be displayed, and the screen will be off after 5 seconds; When the timer ends, it will automatically shut down
 <b>Display Window</b>	Display the numbers flame, carbon bed, heating and timing	

## Remote control operation:



## Technical Specification

**Product name: Electric fireplace**

**Supply: 120V AC 60Hz**

**Rated power: 15W/M (long)**

## MAINTENANCE:

Clean the metal trim using a water-dampened soft, clean cloth. DO NOT use brass polish or household cleaners as these products will damage the metal trim.

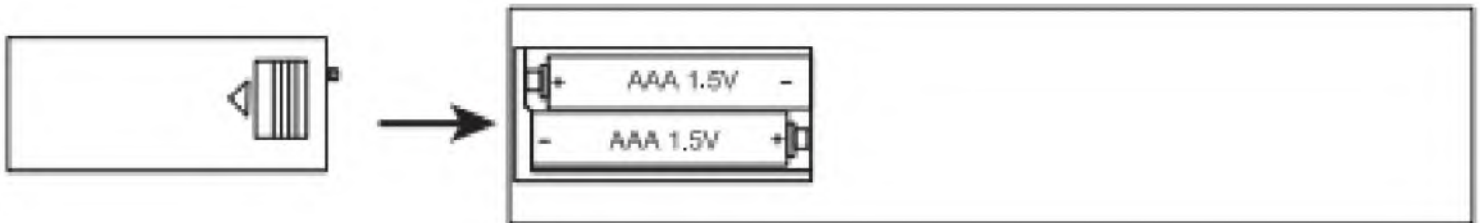
**WARNING:** Any electrical repairs of this unit should be carried out by a licensed electrician in accordance with national and local codes.

### REMOTE CONTROL:

The battery compartment is located on the back end of the remote control.

1. Press and slide the battery cover open.
2. Insert two 1.5V (AAA) batteries (included) ensuring they are installed correctly with regard to the polarities (+ and -) marked on the inside of the battery compartment.
3. Replace the battery cover.

NOTE: The battery should be removed if the product is to be left unused for a long time.



When replacing the batteries, replace both batteries at the same time with new batteries of the correct type.

Do not mix old and new batteries.

Do not mix alkaline, standard (Carbon-Zinc), or rechargeable (Nicad, Nimh, etc) batteries

## Maintenance instructions:

1. Please cut off the power supply and let it cool before cleaning;
2. Avoid bumping or scratching the electric fireplace to avoid rust caused by surface coating damage;
3. The surface can be cleaned with a wet towel and no detergent can be used;
4. It is strictly prohibited to infiltrate water and water droplets into the machine to avoid damaging internal components and causing short circuit to damage the machine,

Troubleshooting list	
Fault phenomenon	Exclusion method
Nixie tube displays "E1"	The NTC is open circuit or the plug-in sensor is not connected. Open the inspection port of the main board and plug in the sensor again or replace it
The nixie tube displays "E2"	Replace the sensor