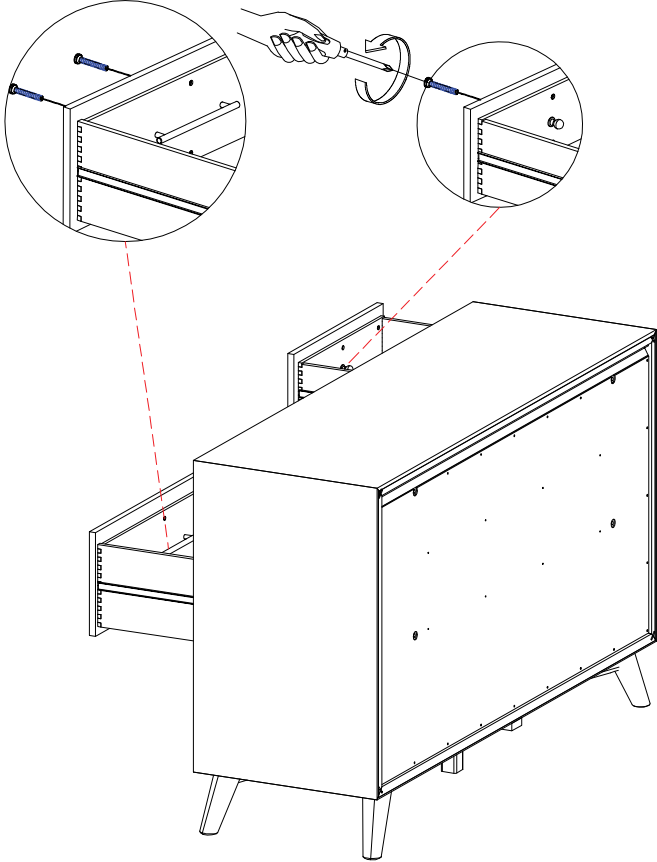


DRESSER

Assembly Instruction

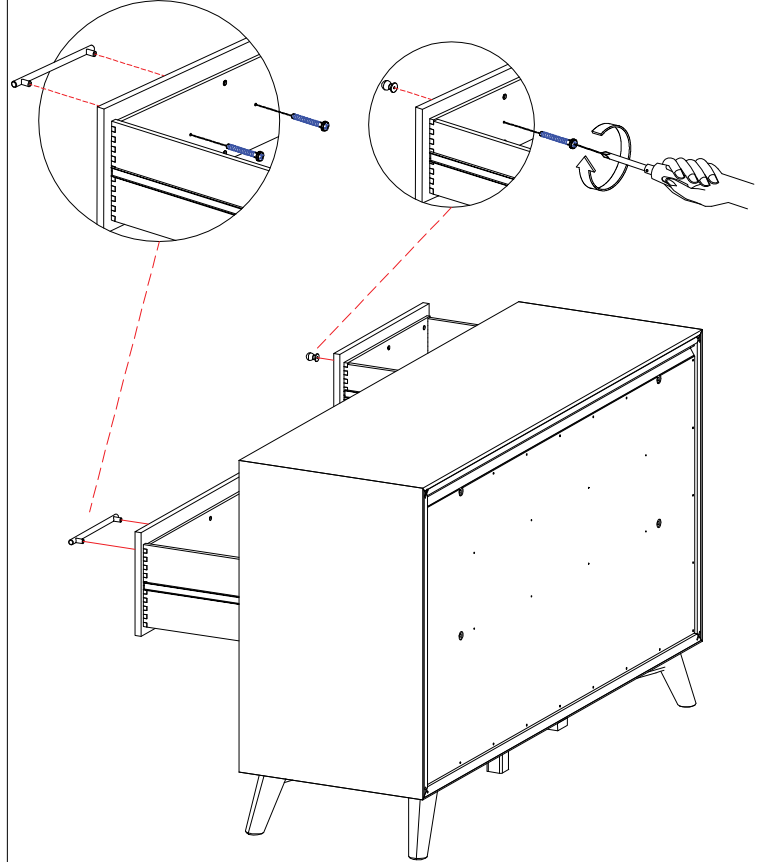
STEP 1

UNSCREW HANDLE



STEP 2

RE-SCREW ON REVERSE SIDE



FINISH

