

Assembly Guide

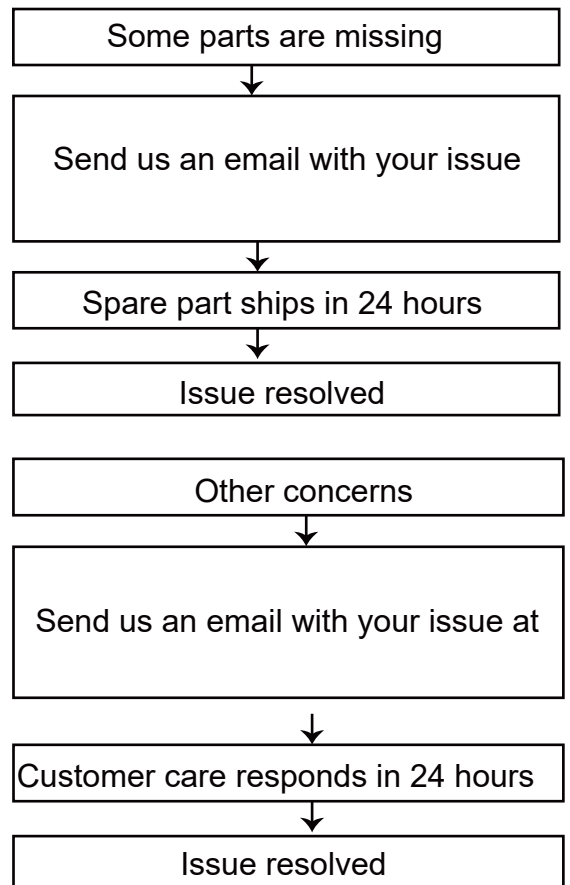
Tip!

Do check for all the components and screws listed in this guide before putting things together. If any part is missing, contact us for the missing part.

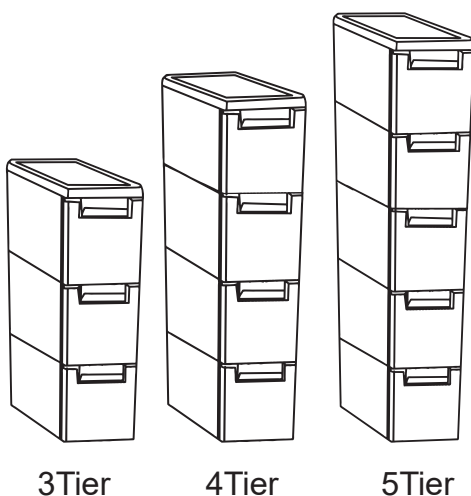
Return Policy

Your satisfaction is our top priority. If our product fails to satisfy you, please let us know how we can make things right for you. Our trained customer care team can handle most concerns and assist you with any questions you may have. To be eligible for a full-refund return, the item must be in pristine condition, in the original packaging, with all of the shipped components intact and not yet assembled, and with the item's unique proof of purchase.









Trouble shooting:

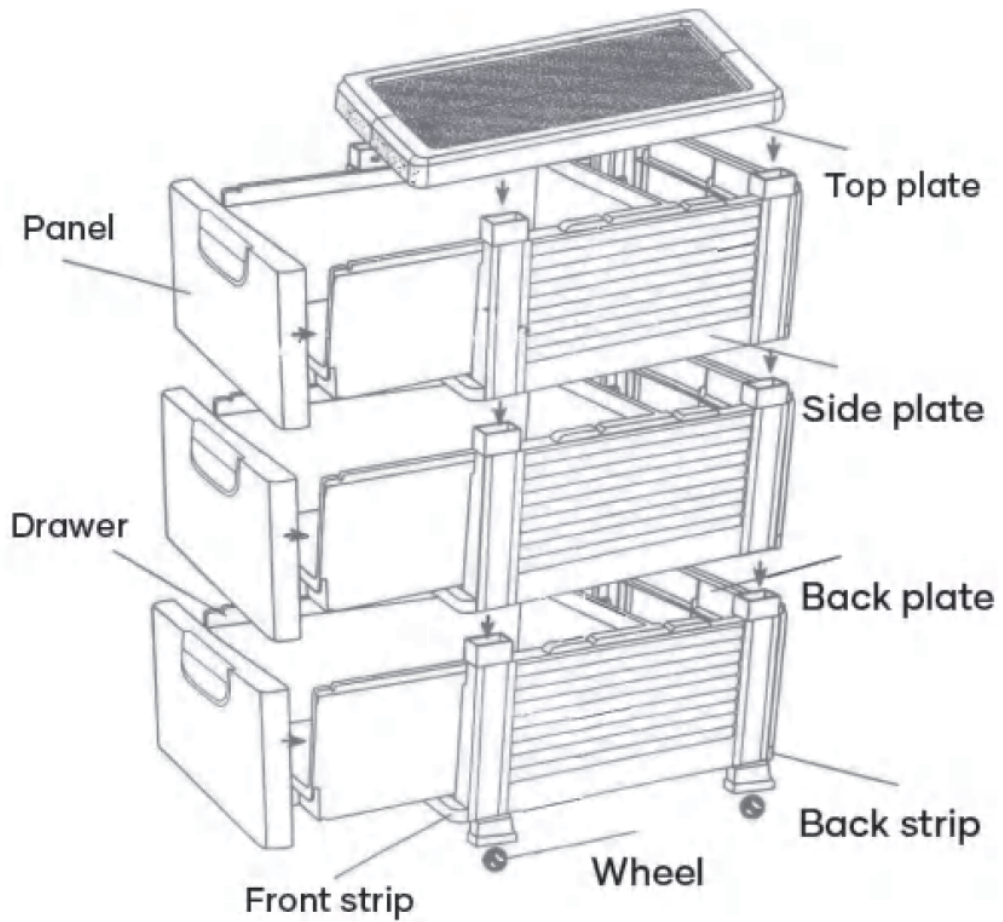
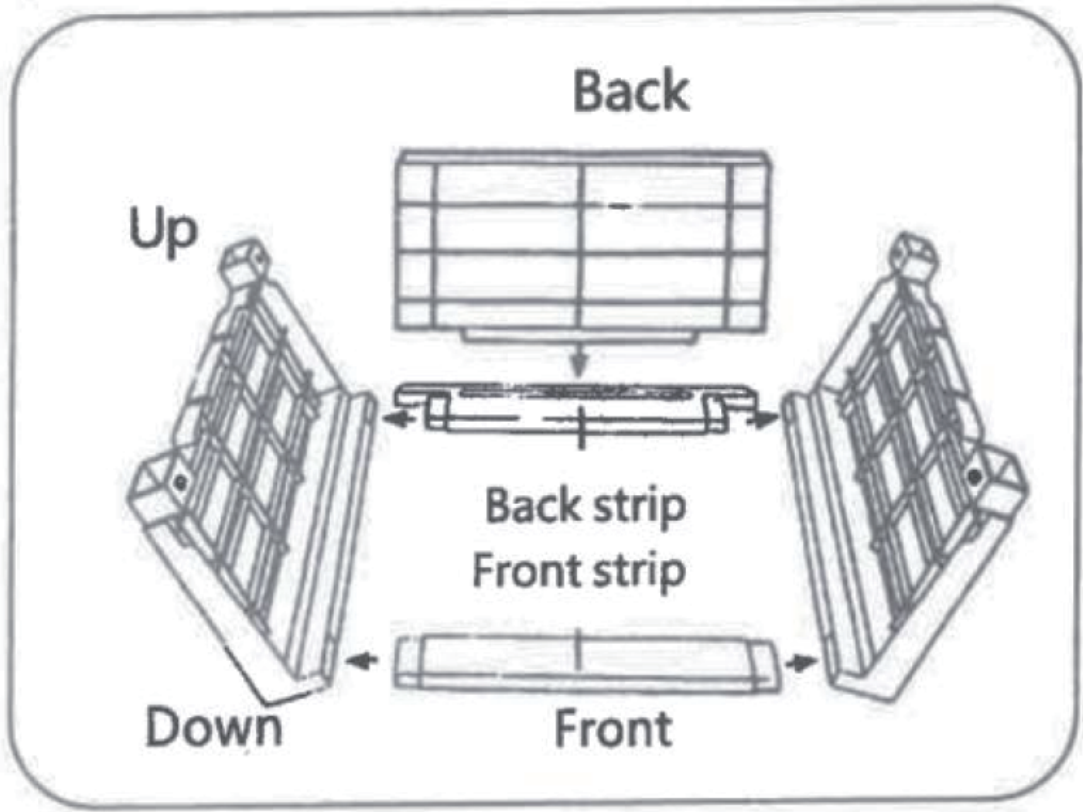


We run our own manufacturer, so rest assured about the quality consistency.

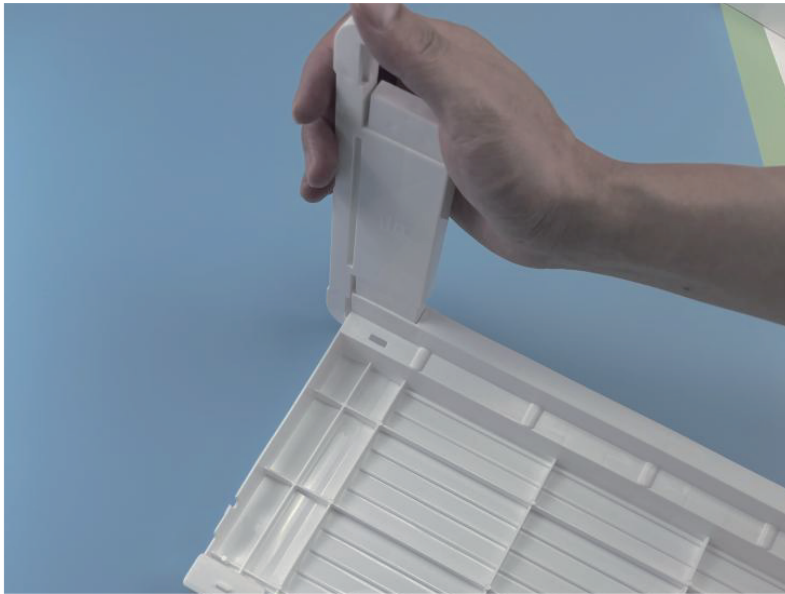


Item Description: Slim Storage Cabinet

<p>1</p>	 <p>Top plate</p>	<p>3 Tier*1 4 Tier*1 5 Tier*1</p>	<p>2</p>	 <p>Side plate</p>	<p>3 Tier*6 4 Tier*8 5 Tier*10</p>
<p>3</p>	 <p>Back plate</p>	<p>3 Tier*3 4 Tier*4 5 Tier*5</p>	<p>4</p>	 <p>Front strip</p>	<p>3 Tier*3 4 Tier*4 5 Tier*5</p>
<p>5</p>	 <p>Back strip</p>	<p>3 Tier*3 4 Tier*4 5 Tier*5</p>	<p>6</p>	 <p>Drawer</p>	<p>3 Tier*3 4 Tier*4 5 Tier*5</p>
<p>7</p>	 <p>Panel</p>	<p>3 Tier*3 4 Tier*4 5 Tier*5</p>	<p>8</p>	 <p>Wheels</p>	<p>3 Tier*4 4 Tier*4 5 Tier*4</p>



Step 1



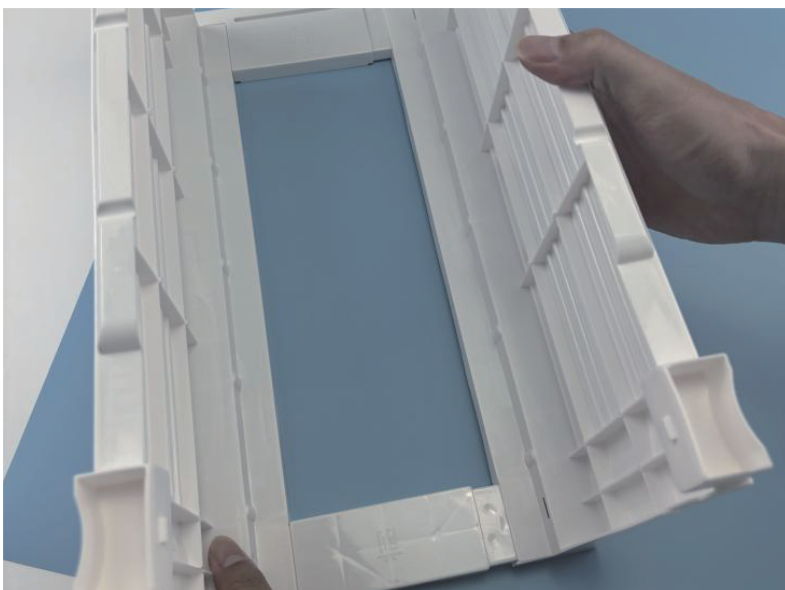
Insert the back strip into the side plate.

Step 2



Insert the front strip into the side plate.

Step 3



Insert the right side plate into the front and back strips.

Step 4



Insert the back plate.

Step 5



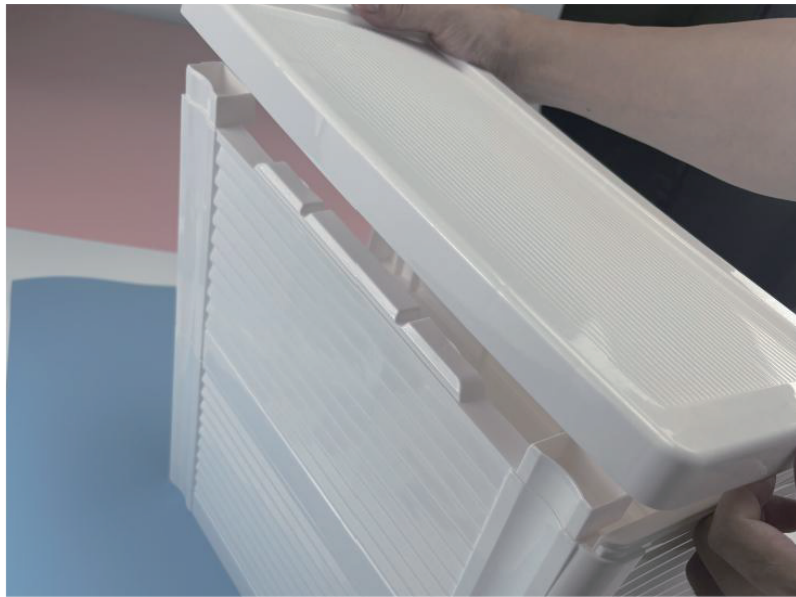
Repeat steps 1,2,3,4 to assemble the remaining ters.

Step 6



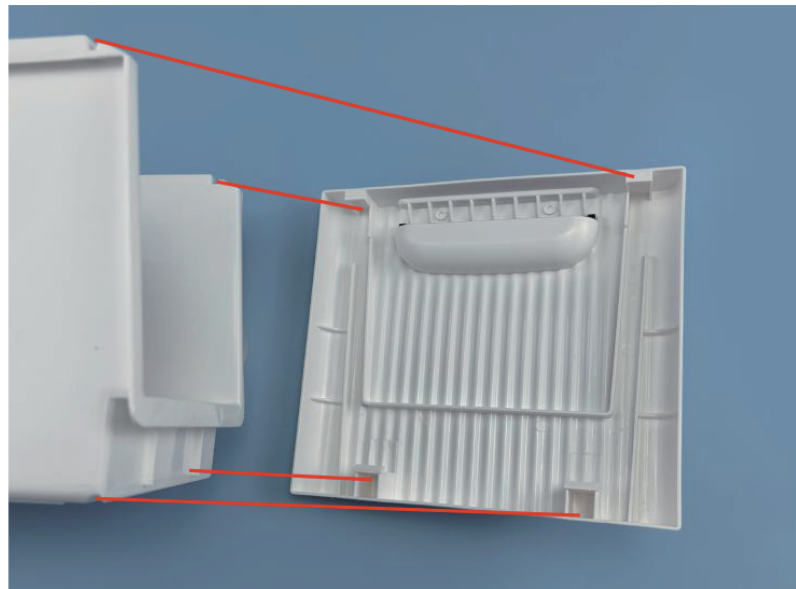
Stack all ters.

Step 7



Cover the top plate. (Please note: arrow should face the direction of the drawer opening)

Step 8



Align the drawer with the panel.

Step 9



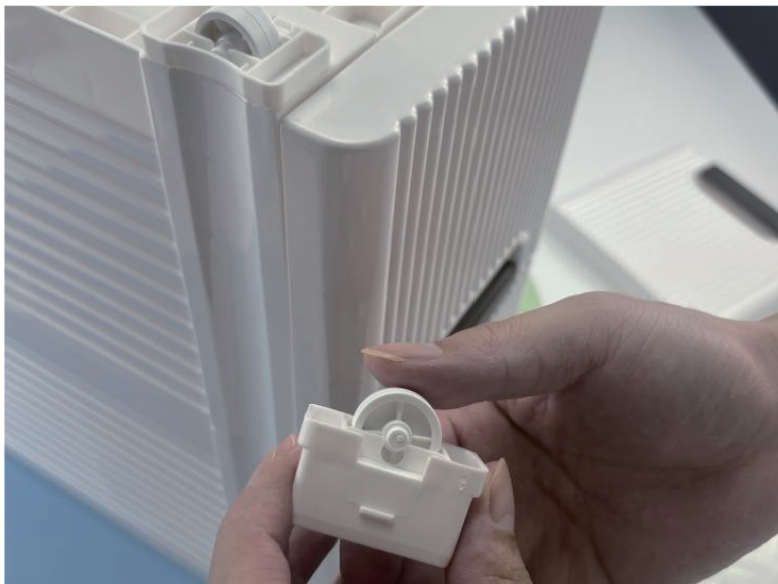
Snap the panel onto the drawer.

Step 10



Slide in the drawers.

Step 11



Insert the 4 wheels.

Step 12



Installation completed.