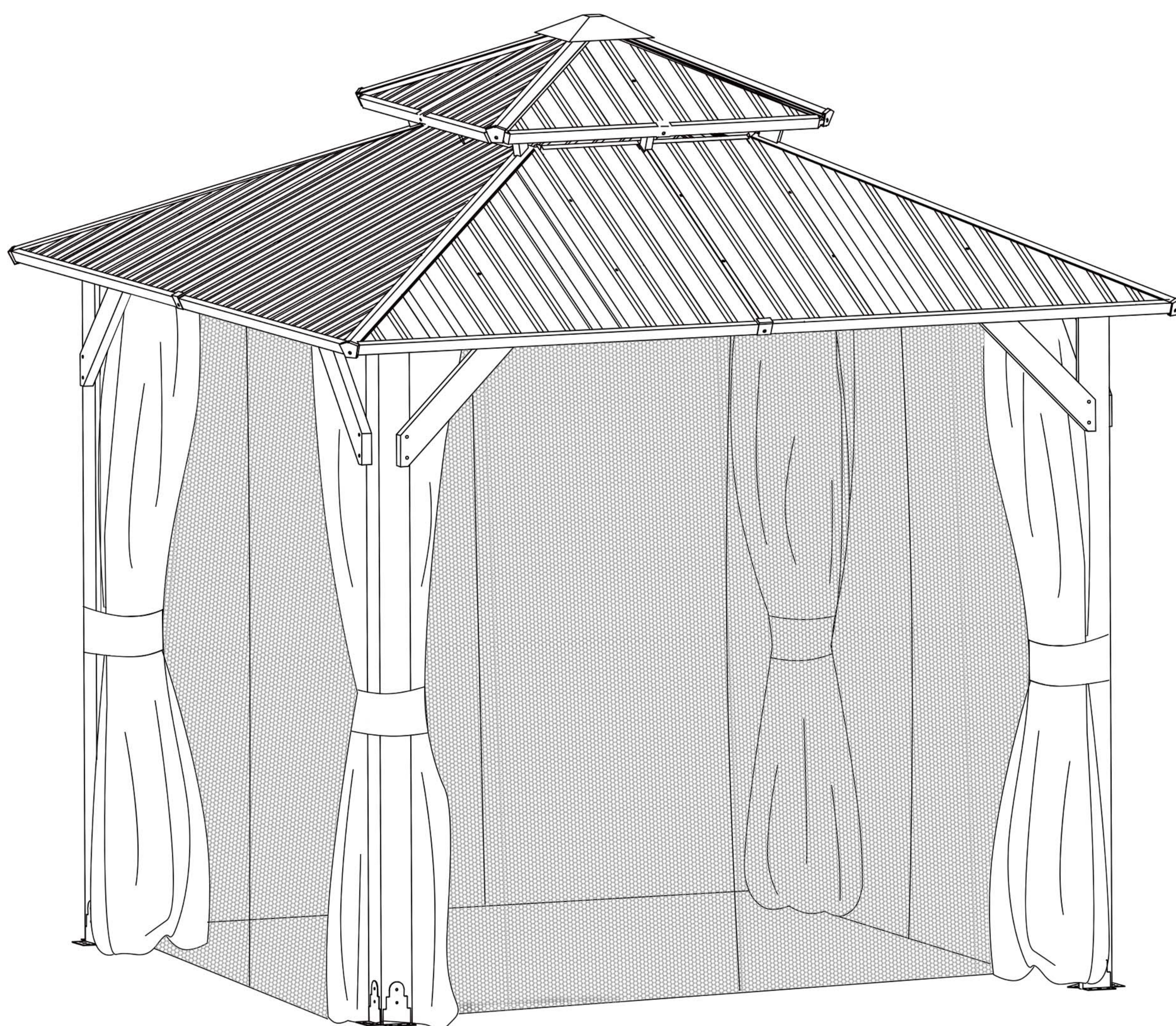


Metal Roof
Cedar Wooden Gazebo 10X10FT

SKU: A001G052-1
A001G052-2
A001G052-3

ASSEMBLY INSTRUCTIONS



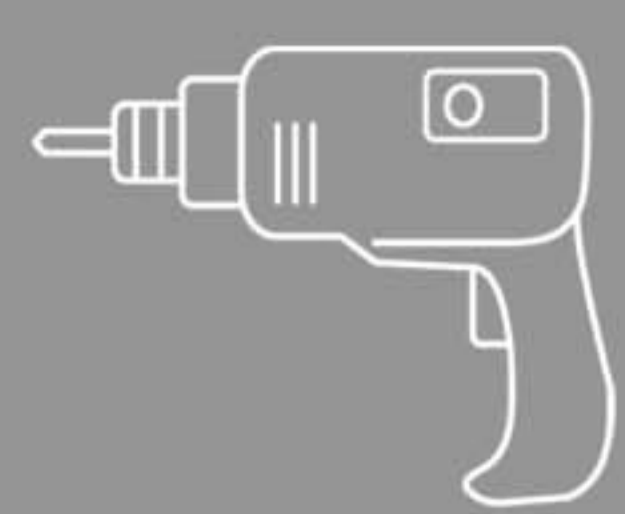
Please check the number of parts in the following accessory catalogue when unpacking. We have sent you more small parts for spare. If there is any missing or any questions about the installation. Please feel free to contact us. We will reply within 24 hours.



E-mail: cs.helper01@gmail.com

TOOLS RECOMMENDED

*NOTE: The recommended tools are not included in boxes and need to be prepared by yourself.



DRILL



RUBBER Mallet



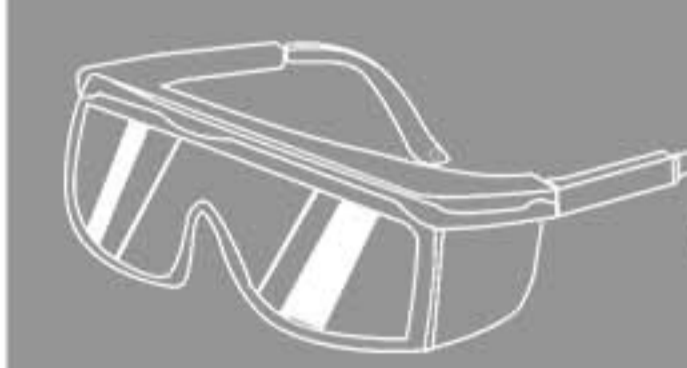
STEPLADDER
(6.5Ft Or More)



SAFETY HAT



GLOVES



SAFETY GOGGLES

ATTENTIONS



Since it is easy to lose many small accessories during the installation, please collect all the screw accessories before the assembly is completed



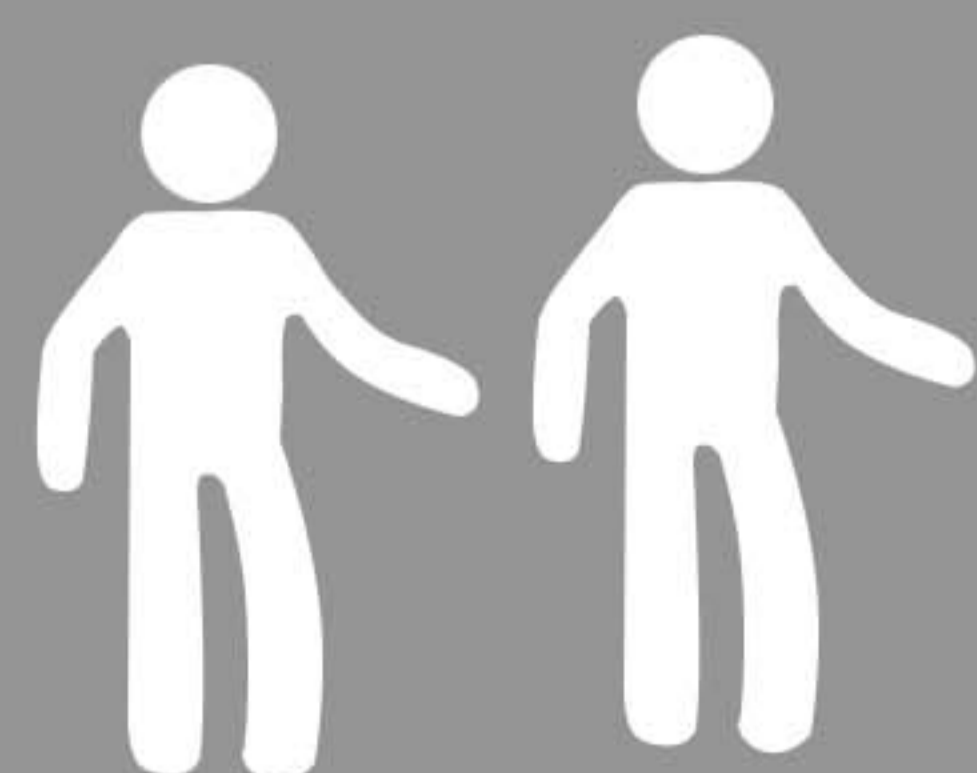
To better align the screws for practical situations, do not fully tighten screws initially



Please reinforced the Gazebo and do not use in heavy winds or inclement weather



Make sure all screws are tightened before use and check all screws, buckles and straps every 90 days

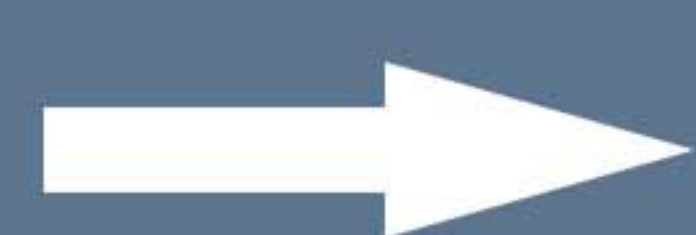


Two or more people are required for assembly



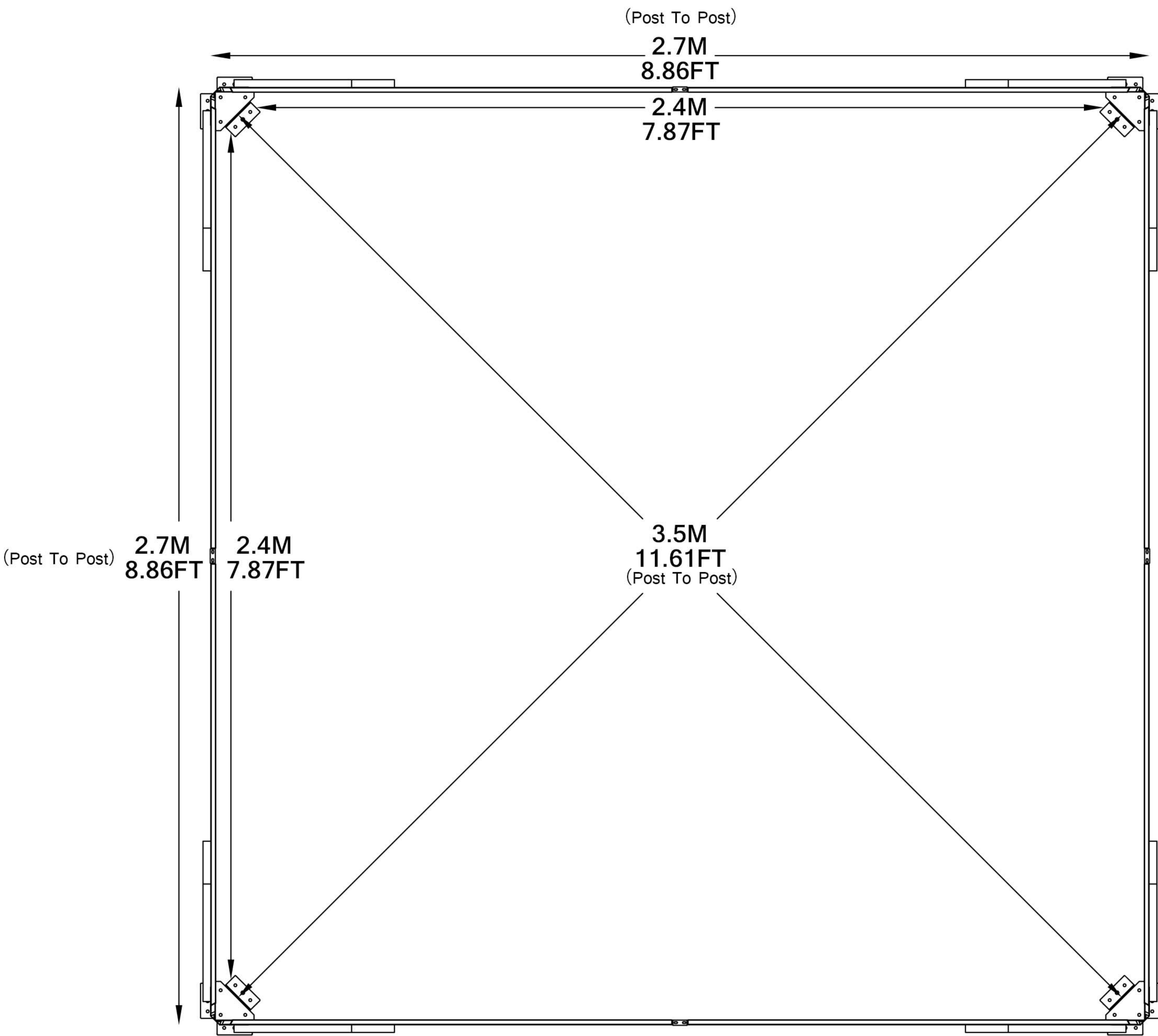
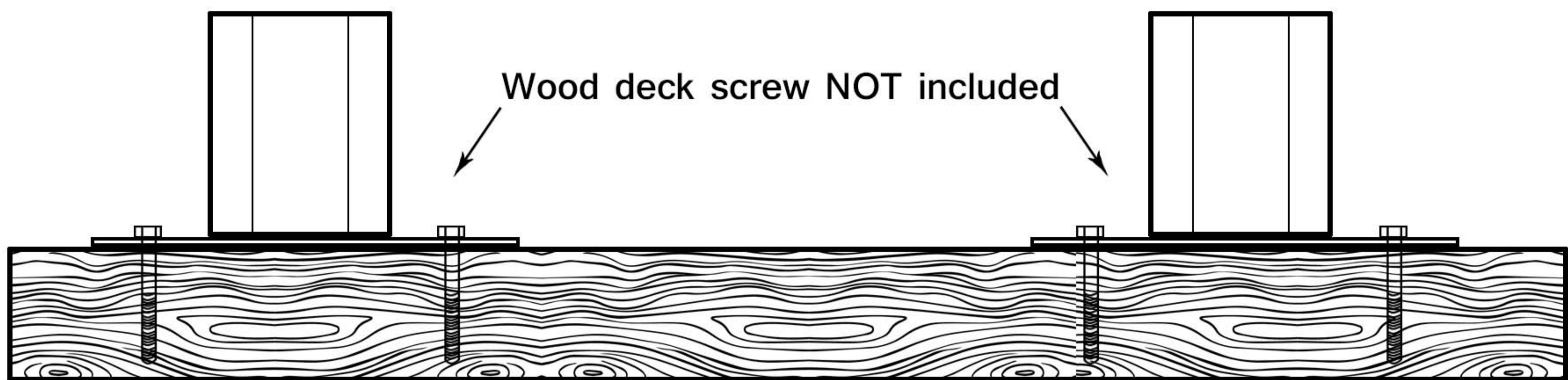
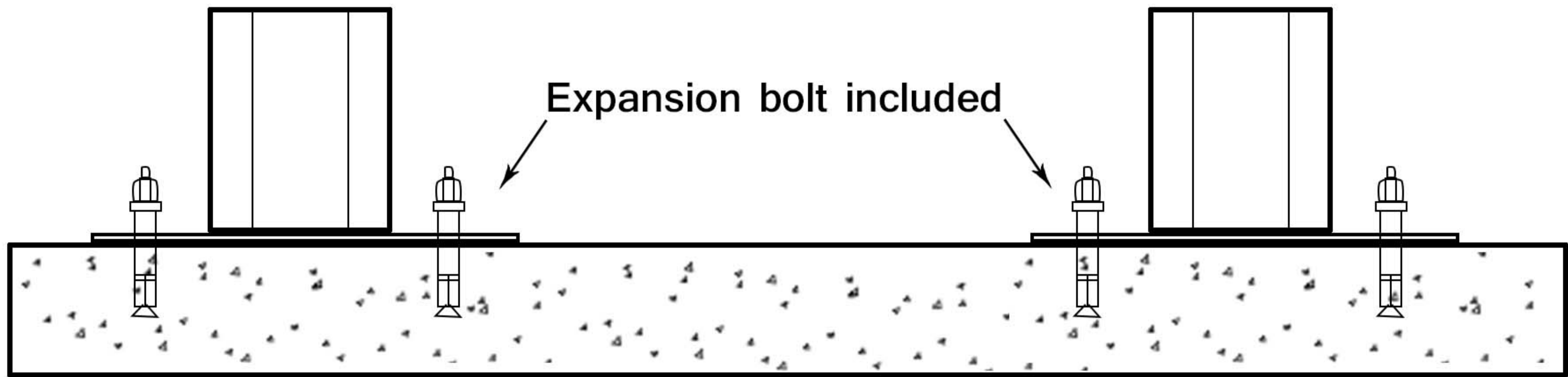
Please clear the snow off the roof in time for the heavy snowfall and do not use it

Please take care of the screws and contact the after-sales service if there is any problem with the installation or parts.



Permanent Installation Examples

Our supporting expansion screws can only be used for cement floors, customers need to bring their own special screws if they are used for wood floors



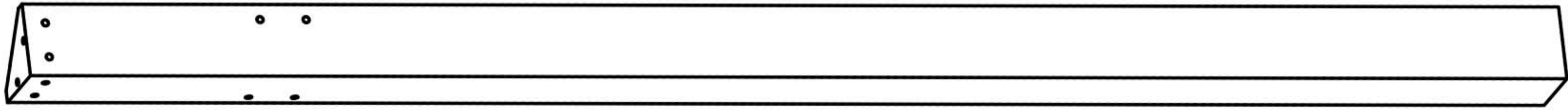
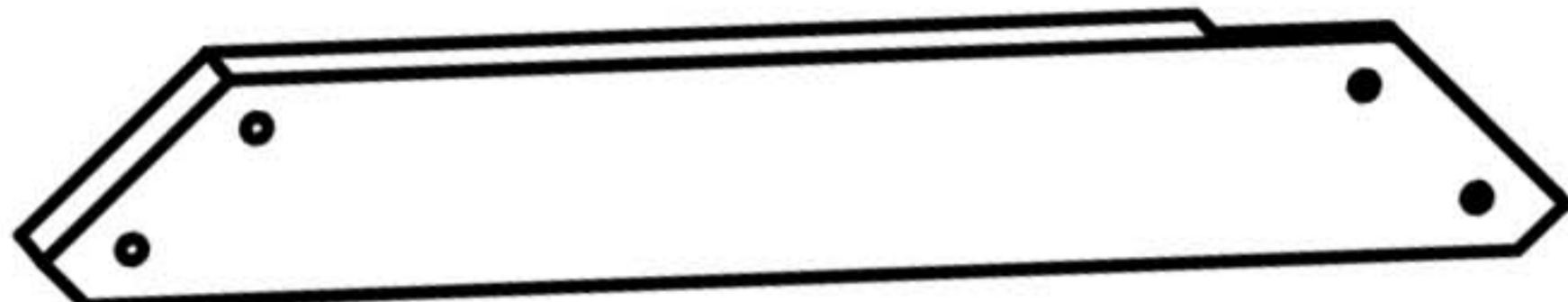
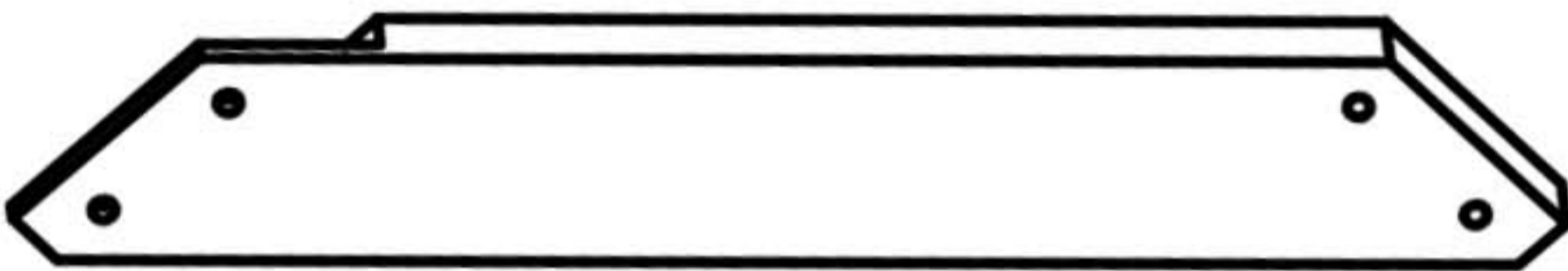
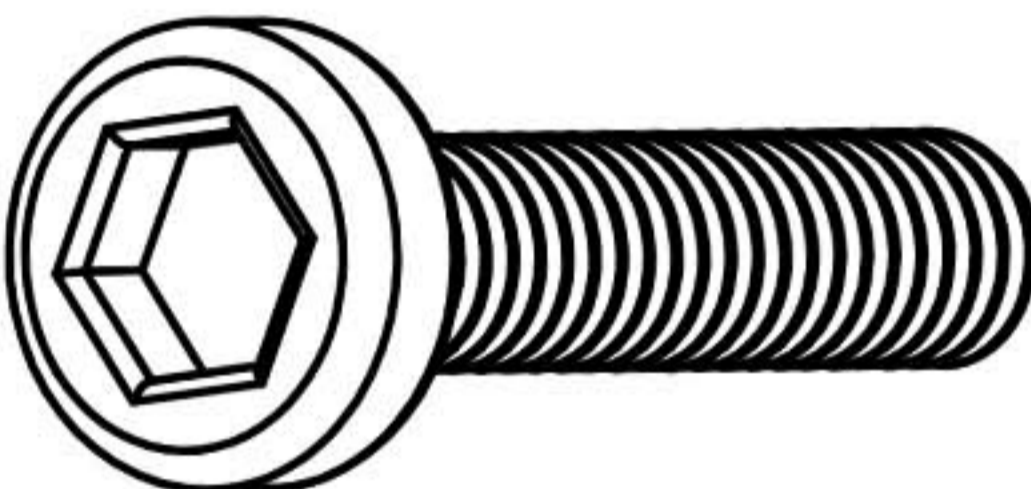
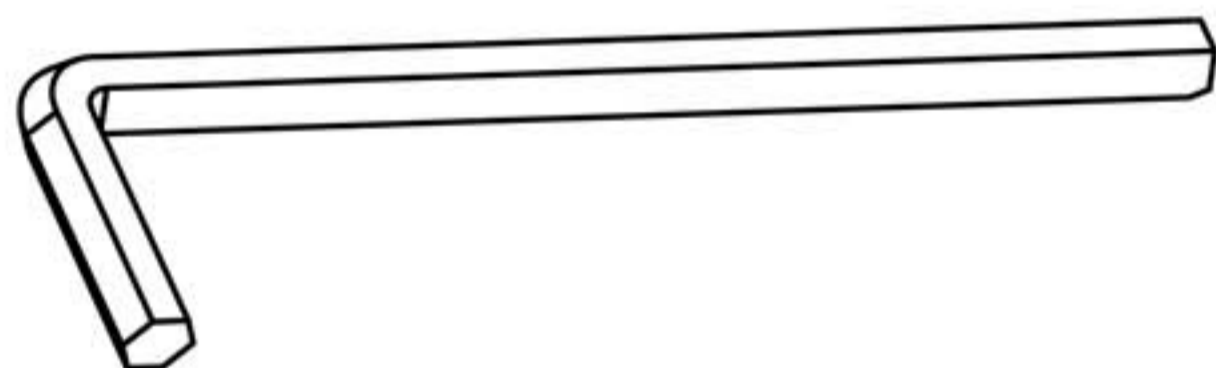
Please take care of the screws and contact the after-sales service if there is any problem with the installation or parts.

➔ ✉ E-mail: cs.helper01@gmail.com

ACCESSORY CATALOGUE

BOX 1

SKU: A001G052-1

Item no.	Reference Image	Qty.
A		4
F		4
F1		4
X	 M8X40mm	16
1		1

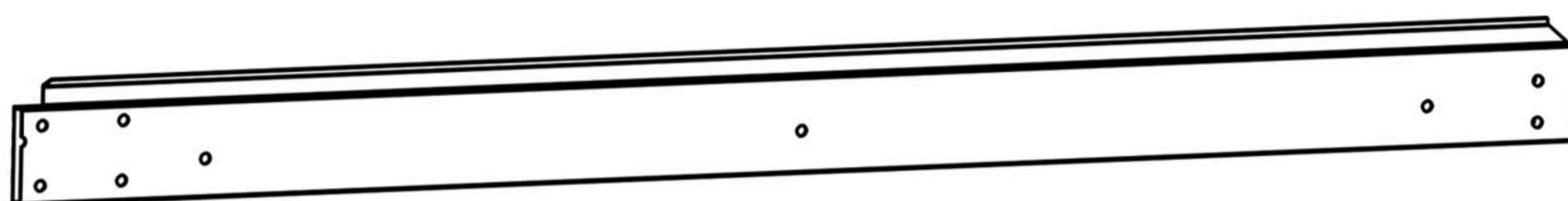
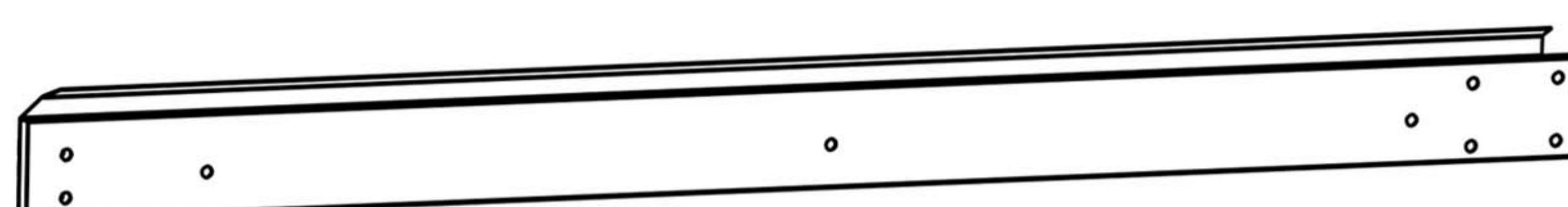
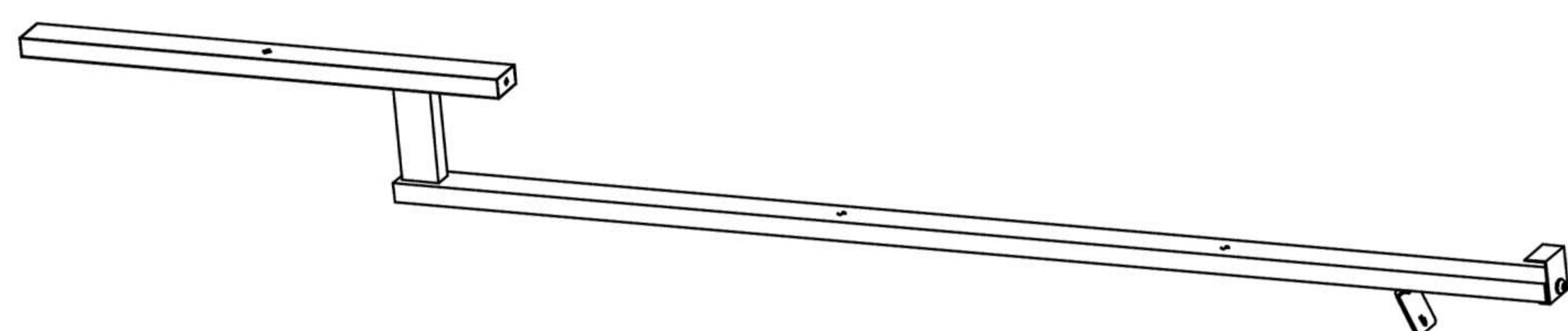
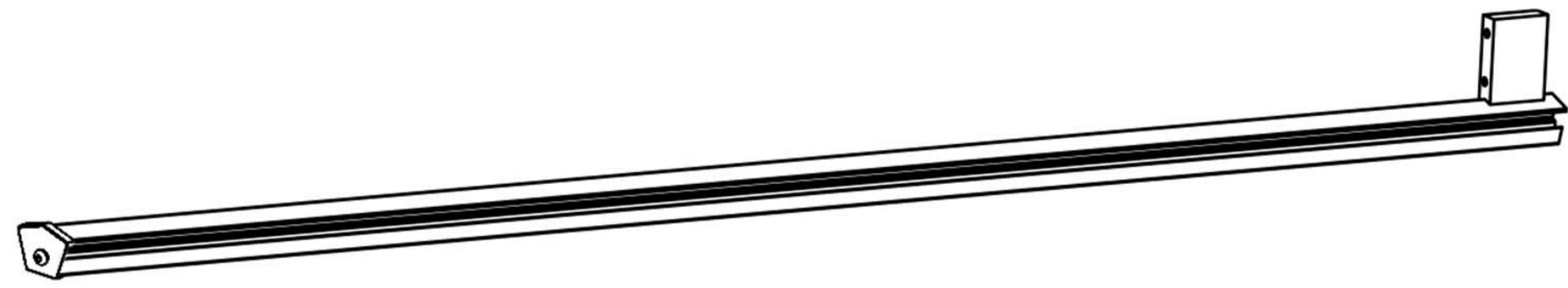

Please take care of the screws and contact the after-sales service if there is any problem with the installation or parts.



ACCESSORY CATALOGUE

BOX 2


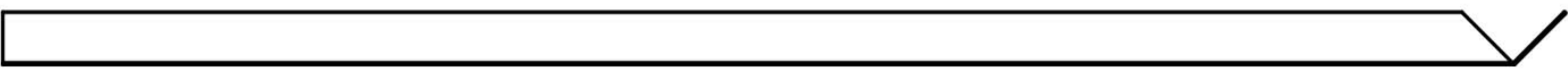
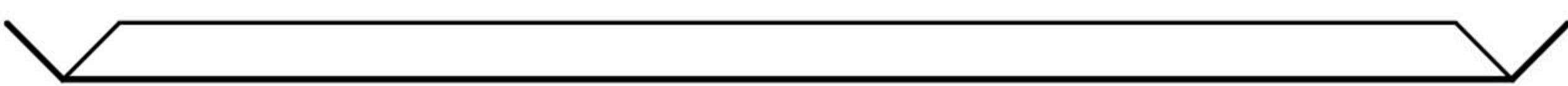
SKU: A001G052-2

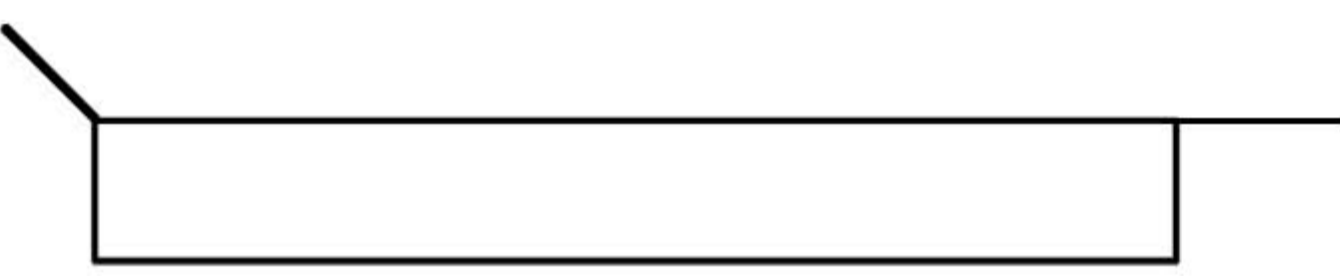
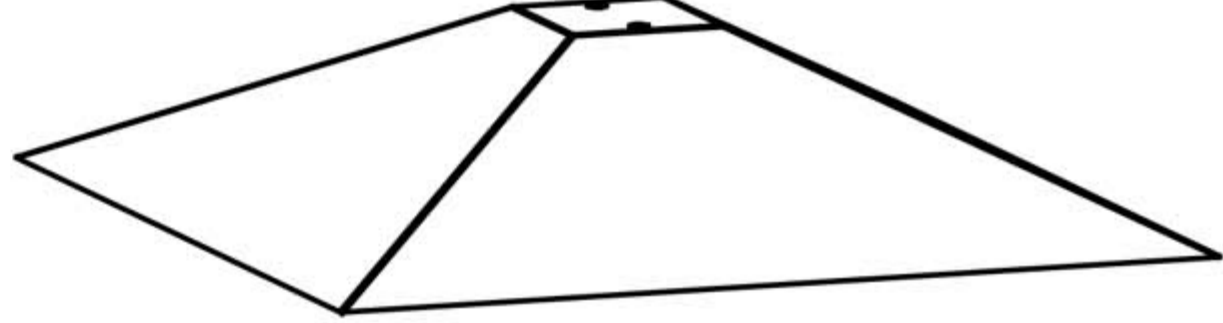
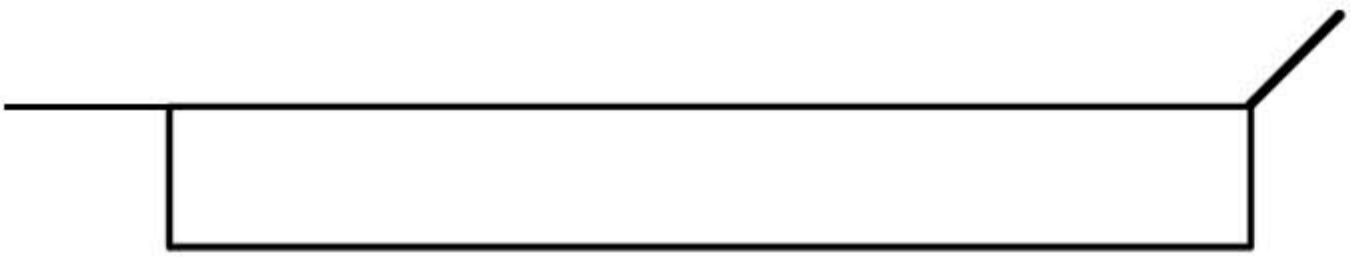
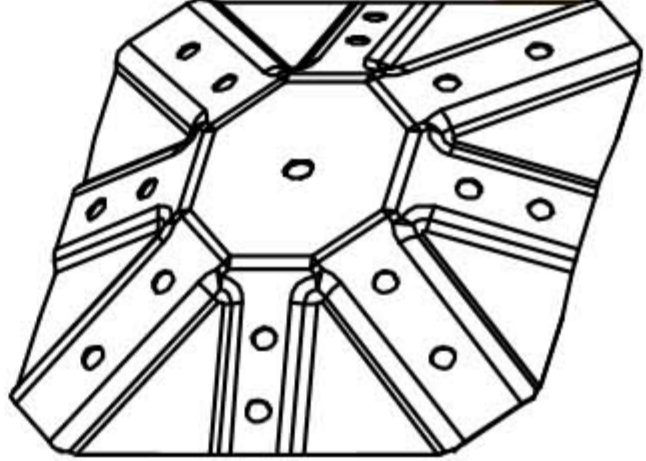
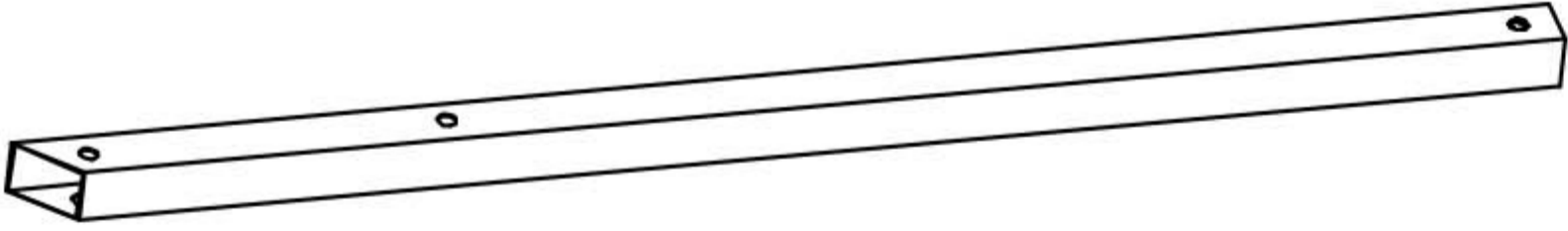
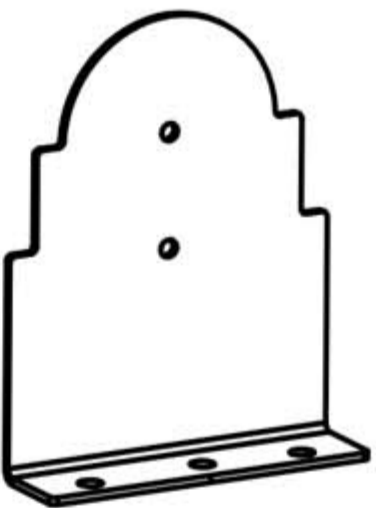
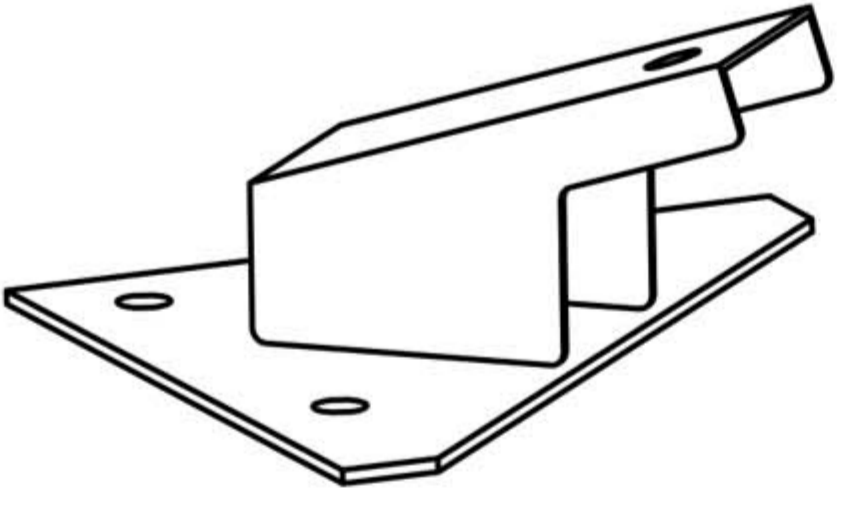
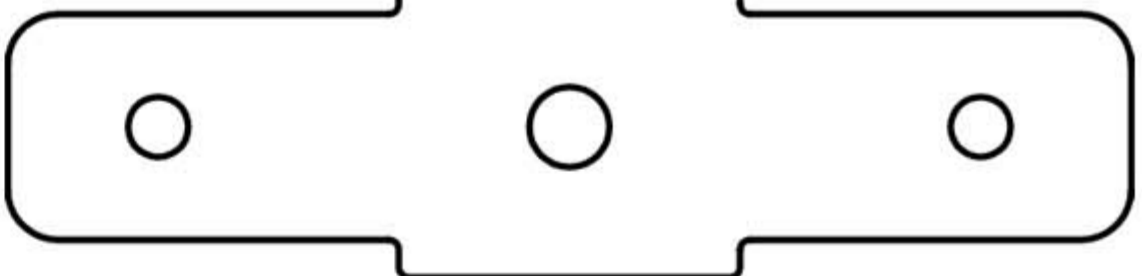
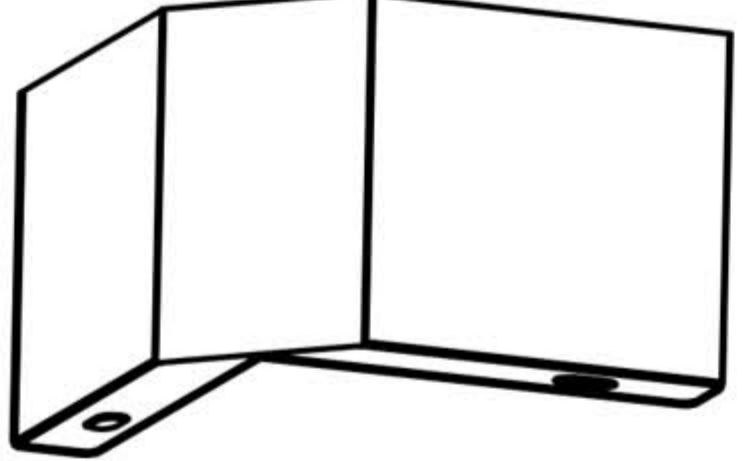
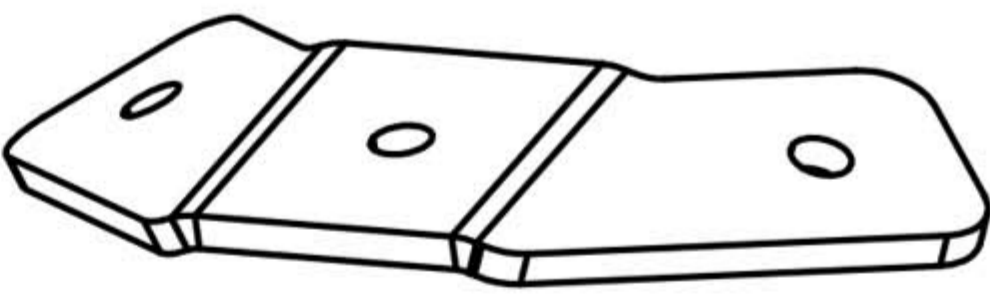
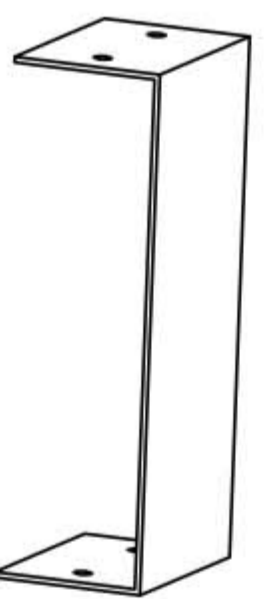
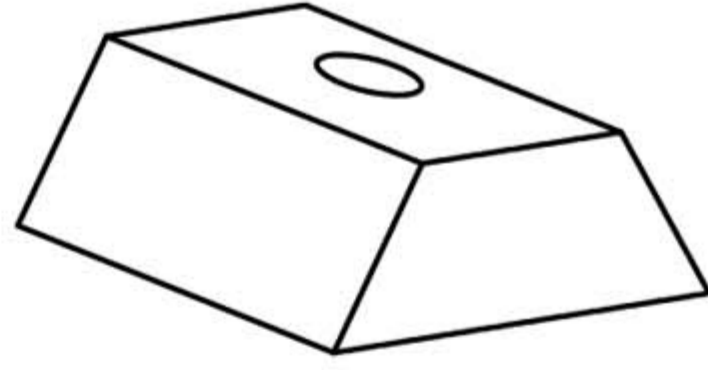
Item no.	Reference Image	Qty.
C		4
C1		4
D	 <p>M1 X4 X2 X4 M6X15mm</p>	4
E	 <p>M2 X4 X2 X4 M6X15mm</p>	4
E1	 <p>M2 X4 X2 X4 M6X15mm</p>	4

Please take care of the screws and contact the after-sales service if there is any problem with the installation or parts.

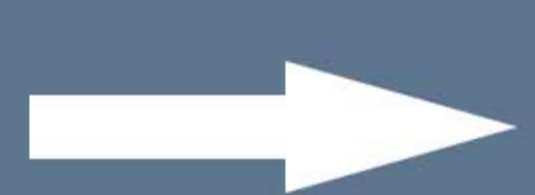
➔ ✉ E-mail: cs.helper01@gmail.com

ACCESSORY CATALOGUE

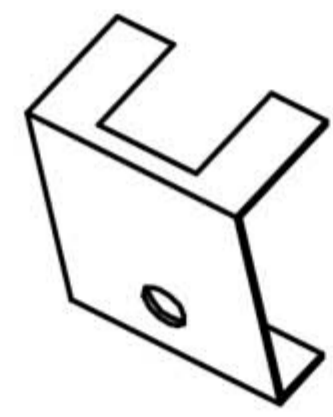
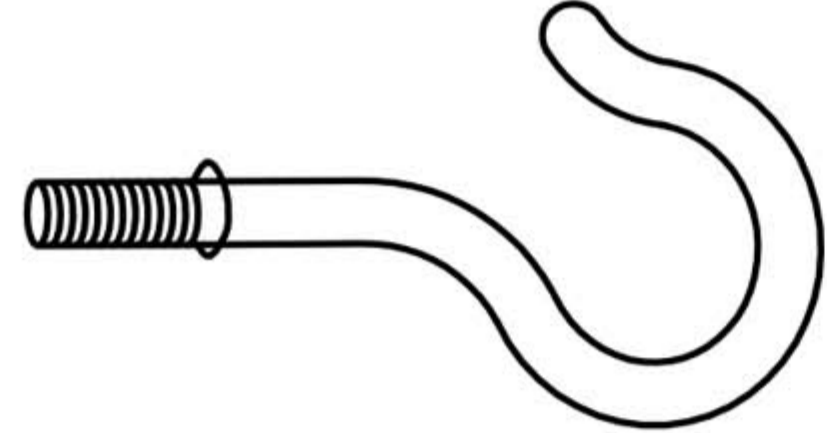
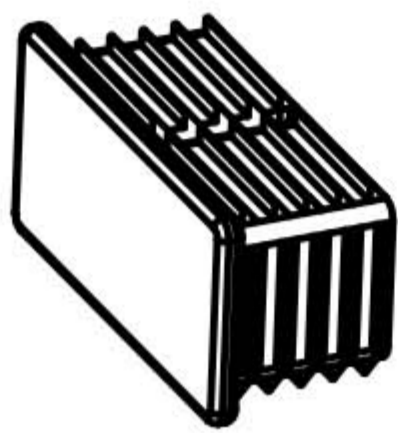
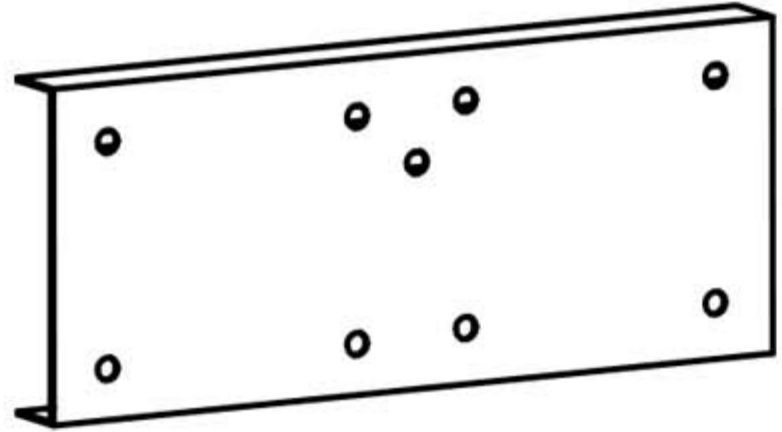
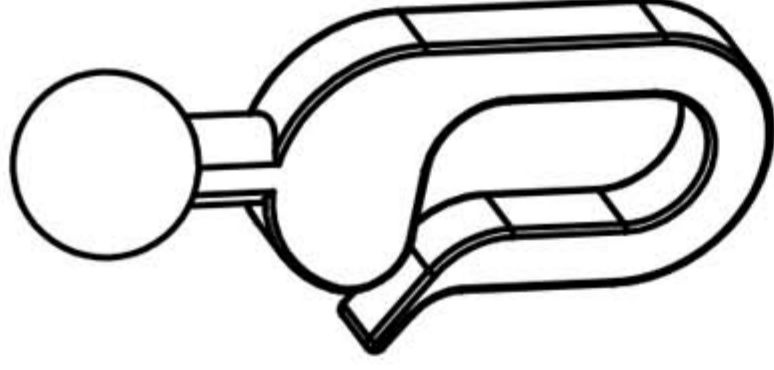

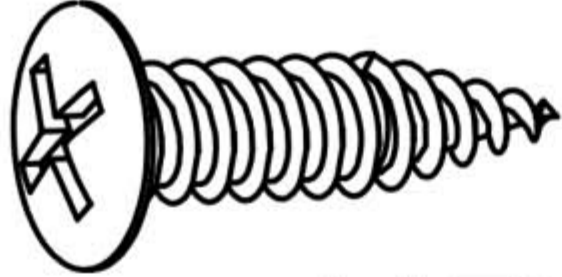
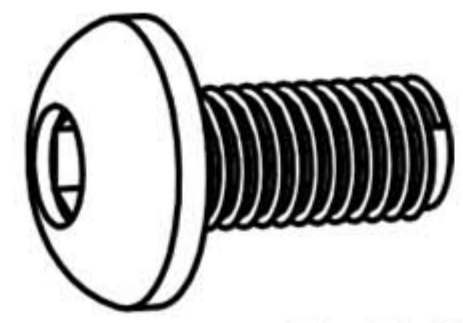
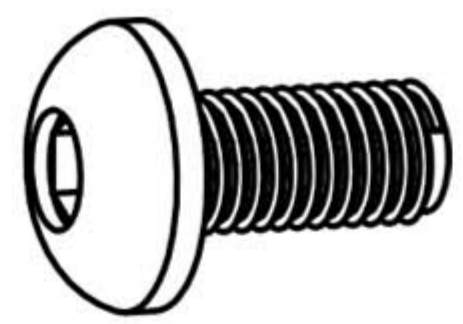
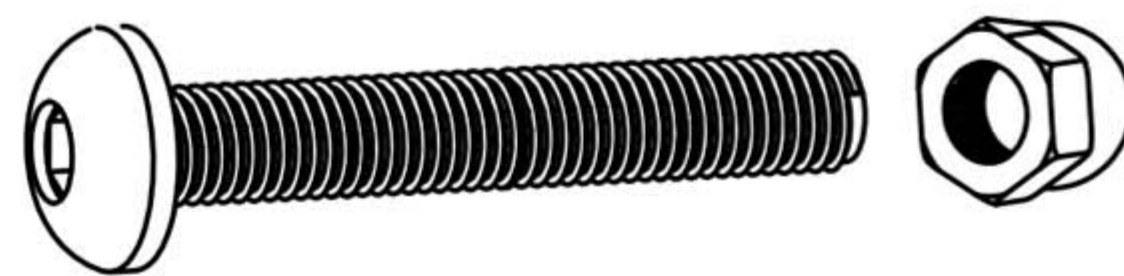
Item no.	Reference Image	Qty.
G1		4
G2		4
G5		4

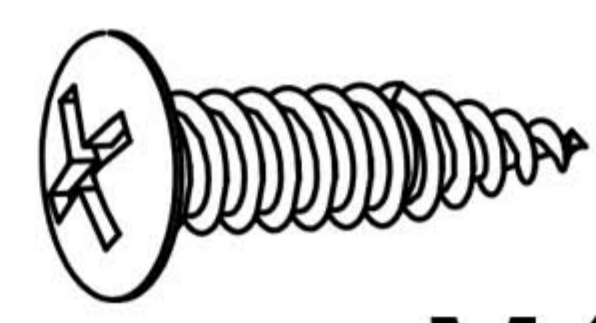
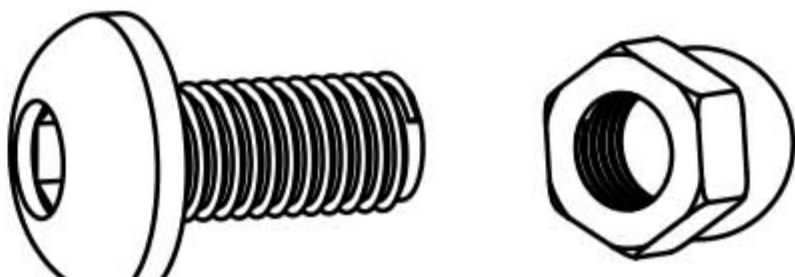
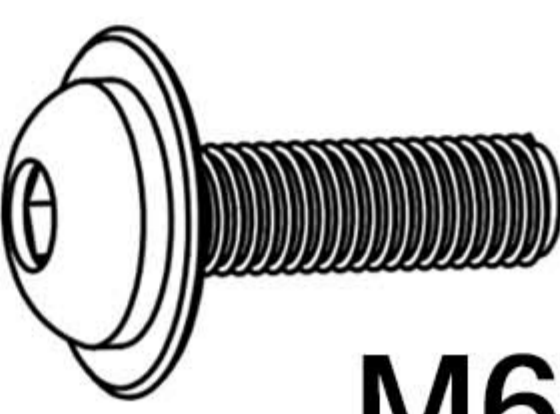
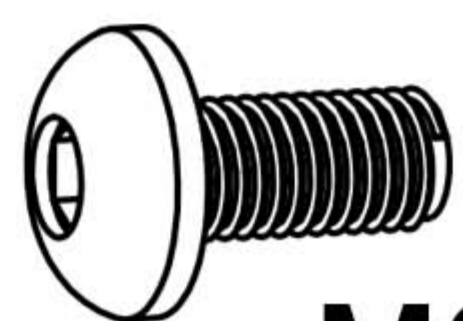
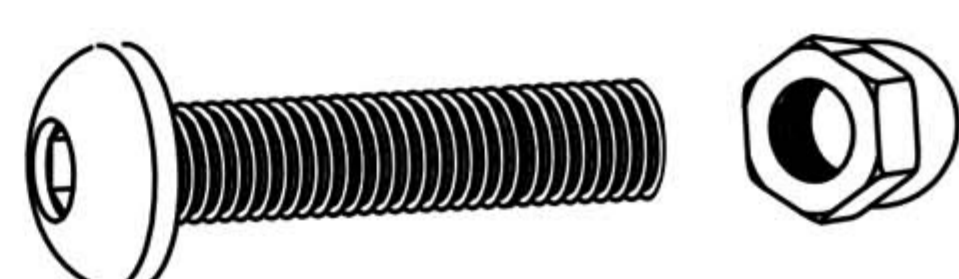
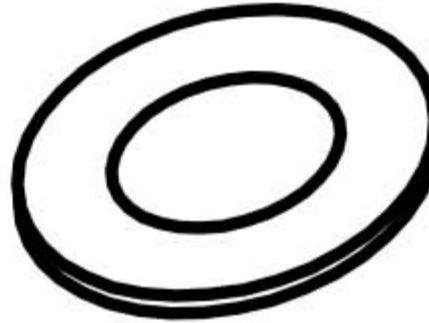
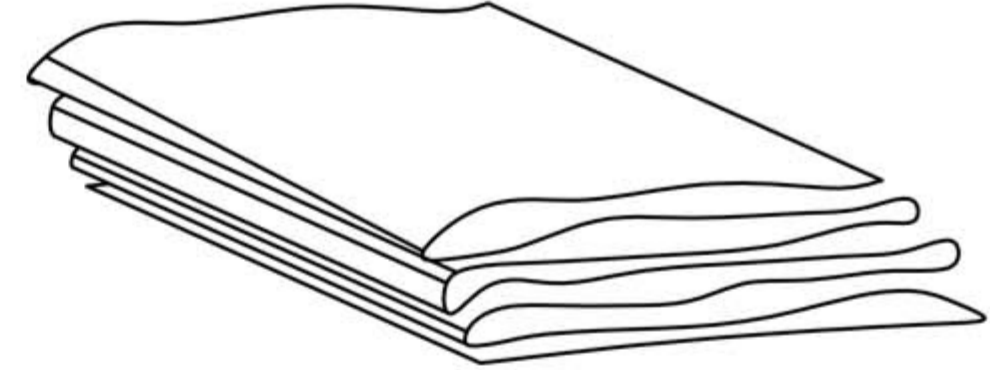
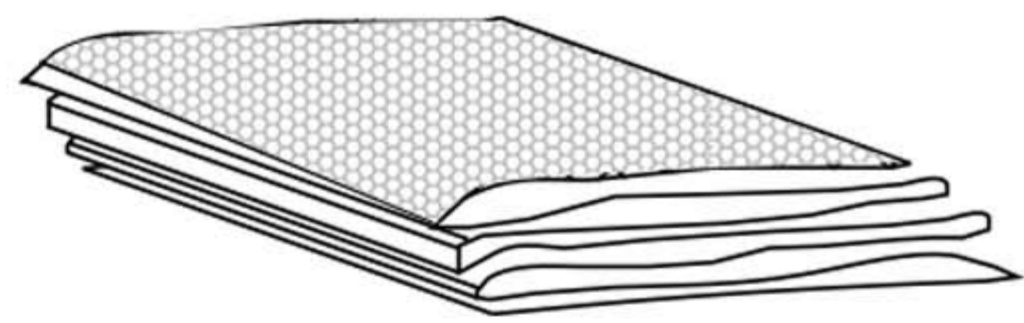
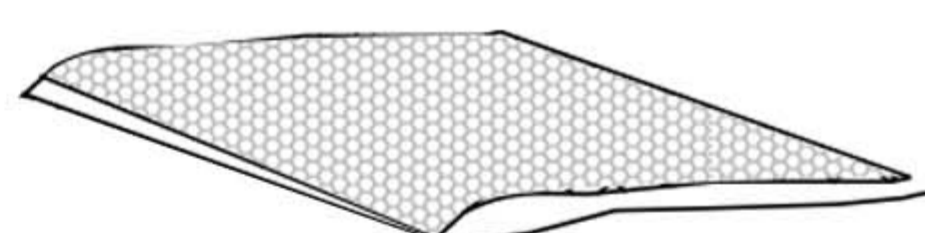

Item no.	Reference Image	Qty.	Item no.	Reference Image	Qty.
G7		4	K		1
G8		4	K1		1
H1		8	L		12
I		4	M3		4
J1		4	M4		4
J2		4	M5		32

Please take care of the screws and contact the after-sales service if there is any problem with the installation or parts.



ACCESSORY CATALOGUE

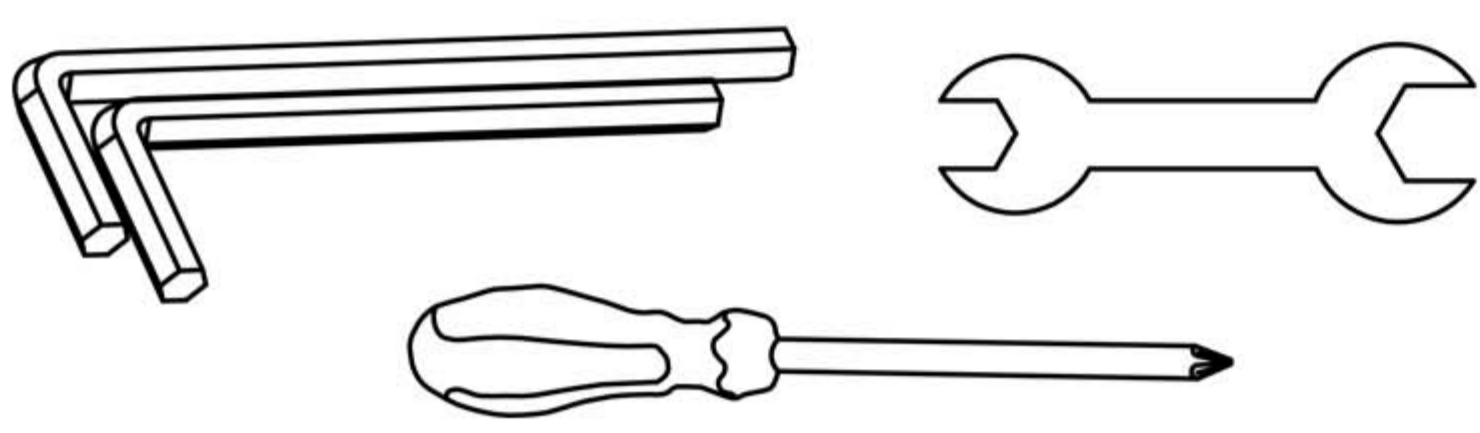
Item no.	Reference Image	Qty.
M6		4
M7		1
M8		16
P		4
Q		64
S		8
X1	 M5X15mm	16
X2	 M6X15mm	112
X3	 M6X20mm	20
X4	 M6X42mm	4

Item no.	Reference Image	Qty.
X5	 M4X25mm	24
X6	 M6X20mm	16
X7	 M6X30mm	4
X8	 M6X10mm	32
X9	 M6X35mm	12
X10		16
Z		1
Z1		1
Z2		1
2		8

Please take care of the screws and contact the after-sales service if there is any problem with the installation or parts.

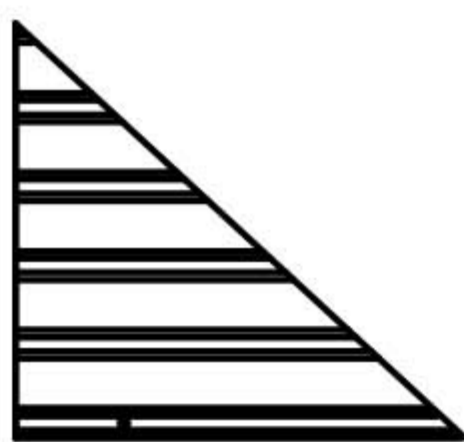
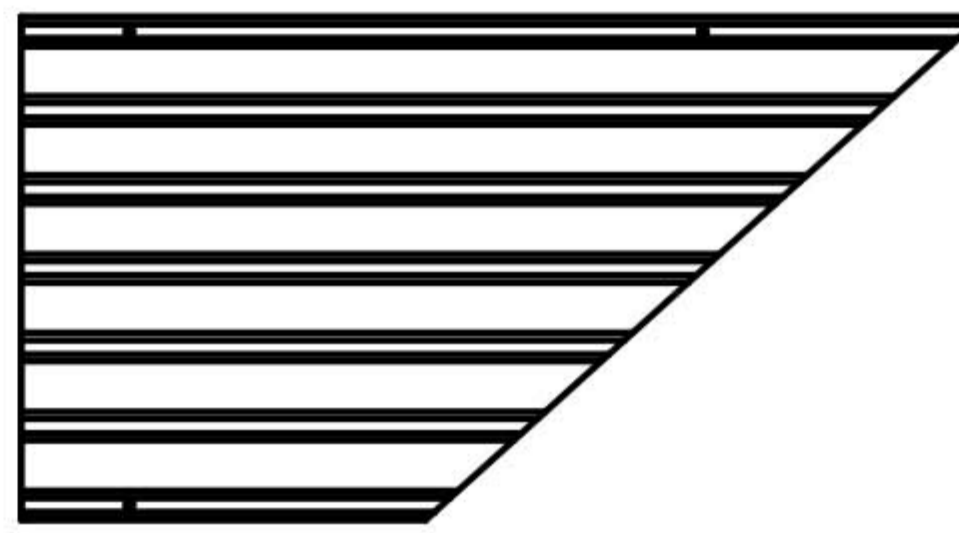
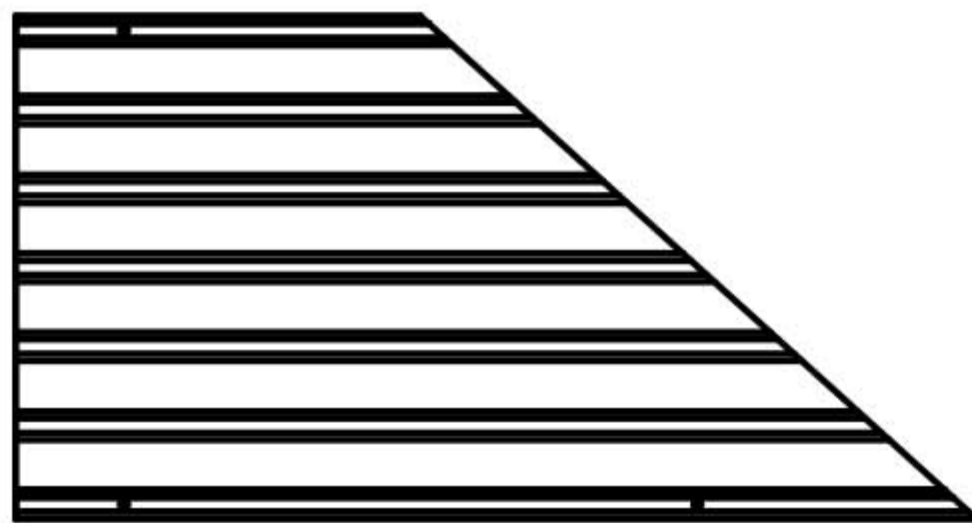
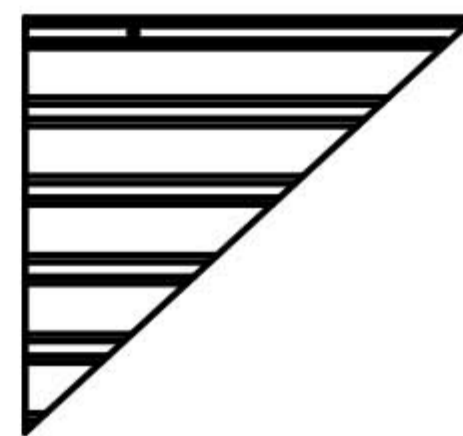
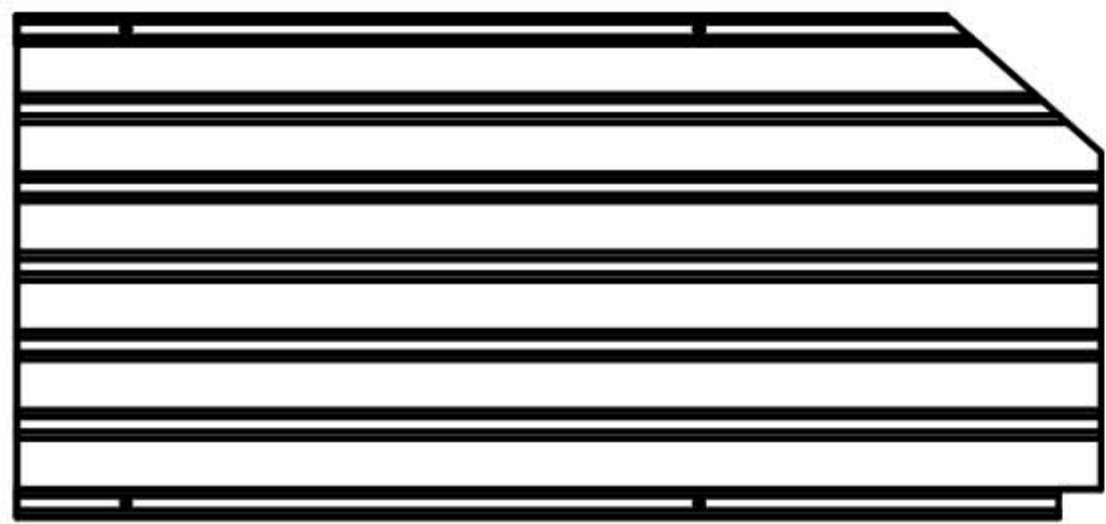
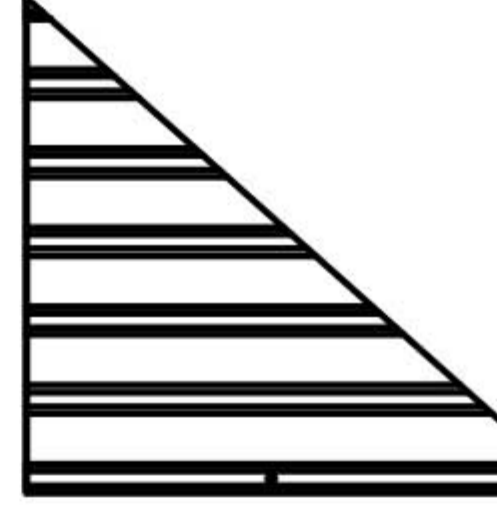
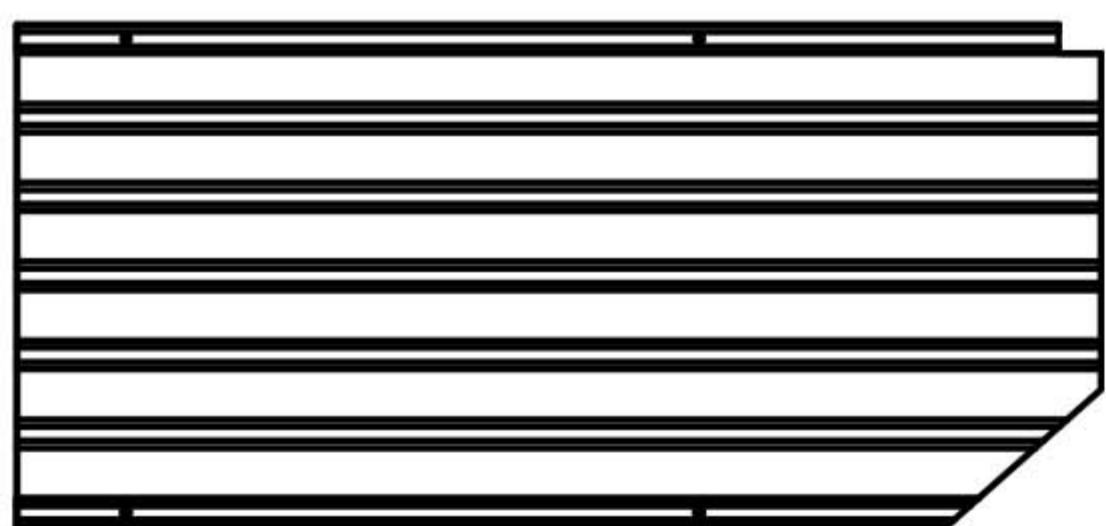
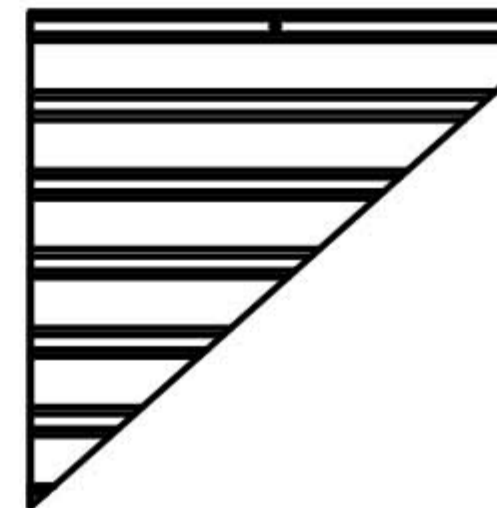
➔ ✉ E-mail: cs.helper01@gmail.com

ACCESSORY CATALOGUE

Item no.	Reference Image	Qty.
3		1

BOX 3

SKU: A001G052-3

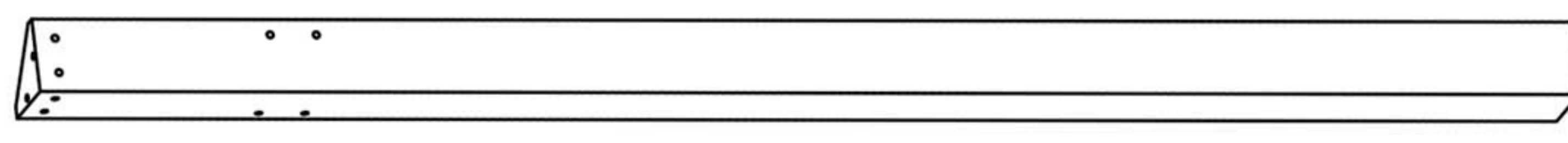
Item no.	Reference Image	Qty.	Item no.	Reference Image	Qty.
O1		4	V2		4
O2		4	V1		4
O3		4	O4		4
V3		4	V4		4

Please take care of the screws and contact the after-sales service if there is any problem with the installation or parts.

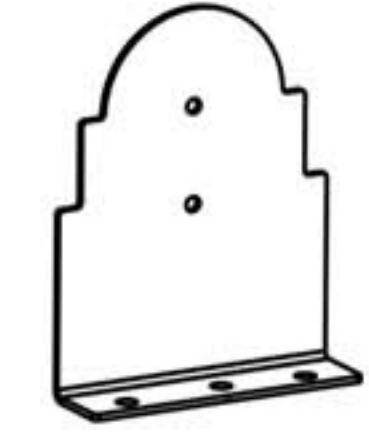
➔ ✉ E-mail: cs.helper01@gmail.com

STEP 1

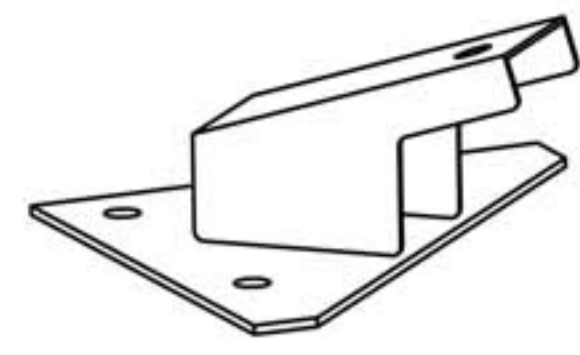
Parts required



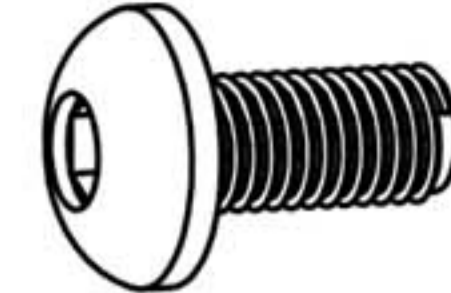
A 4pcs



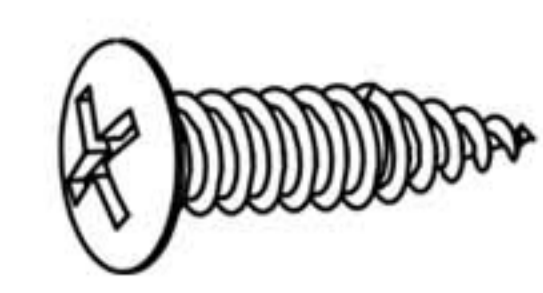
L 12pcs



I 4pcs



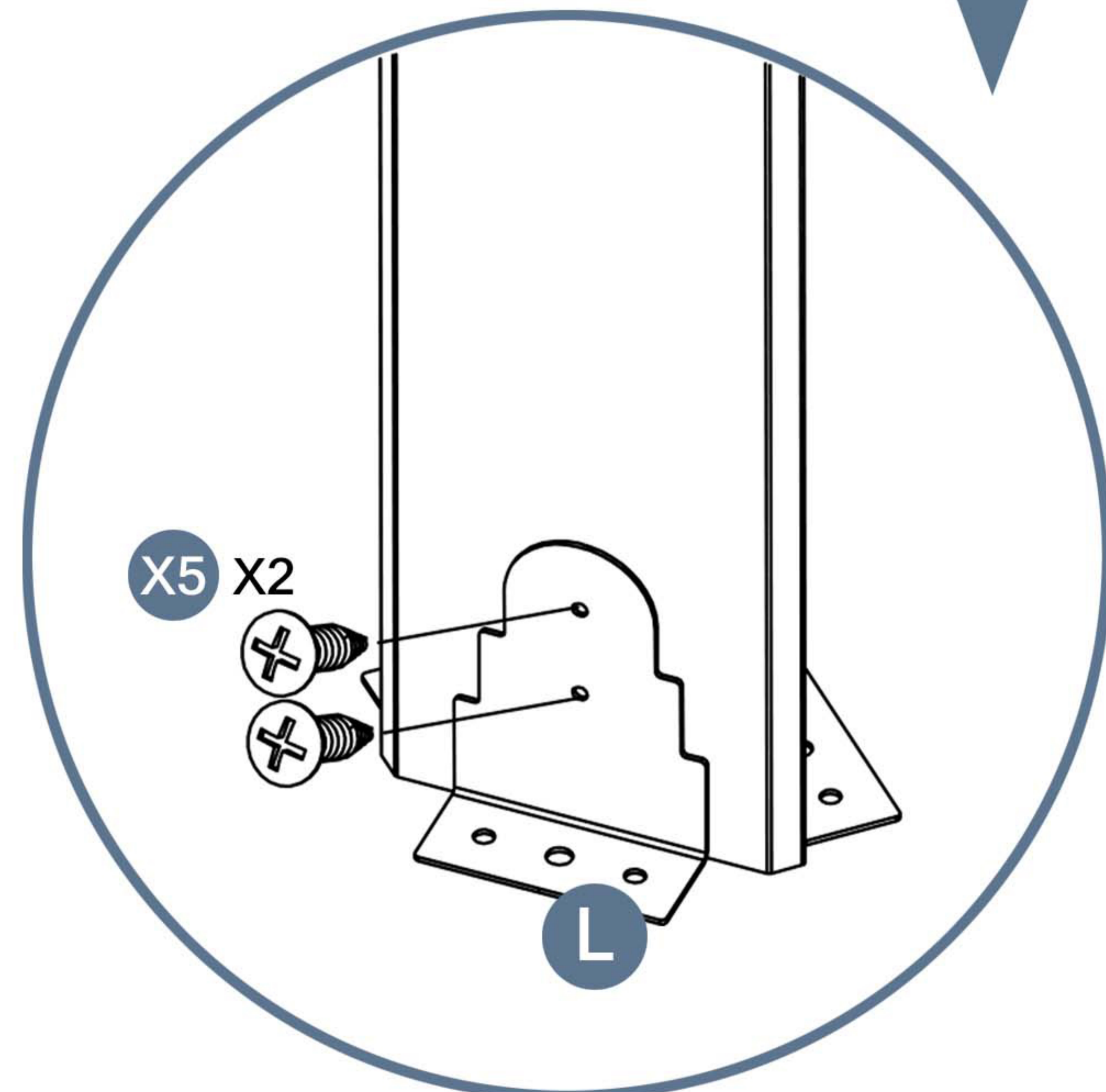
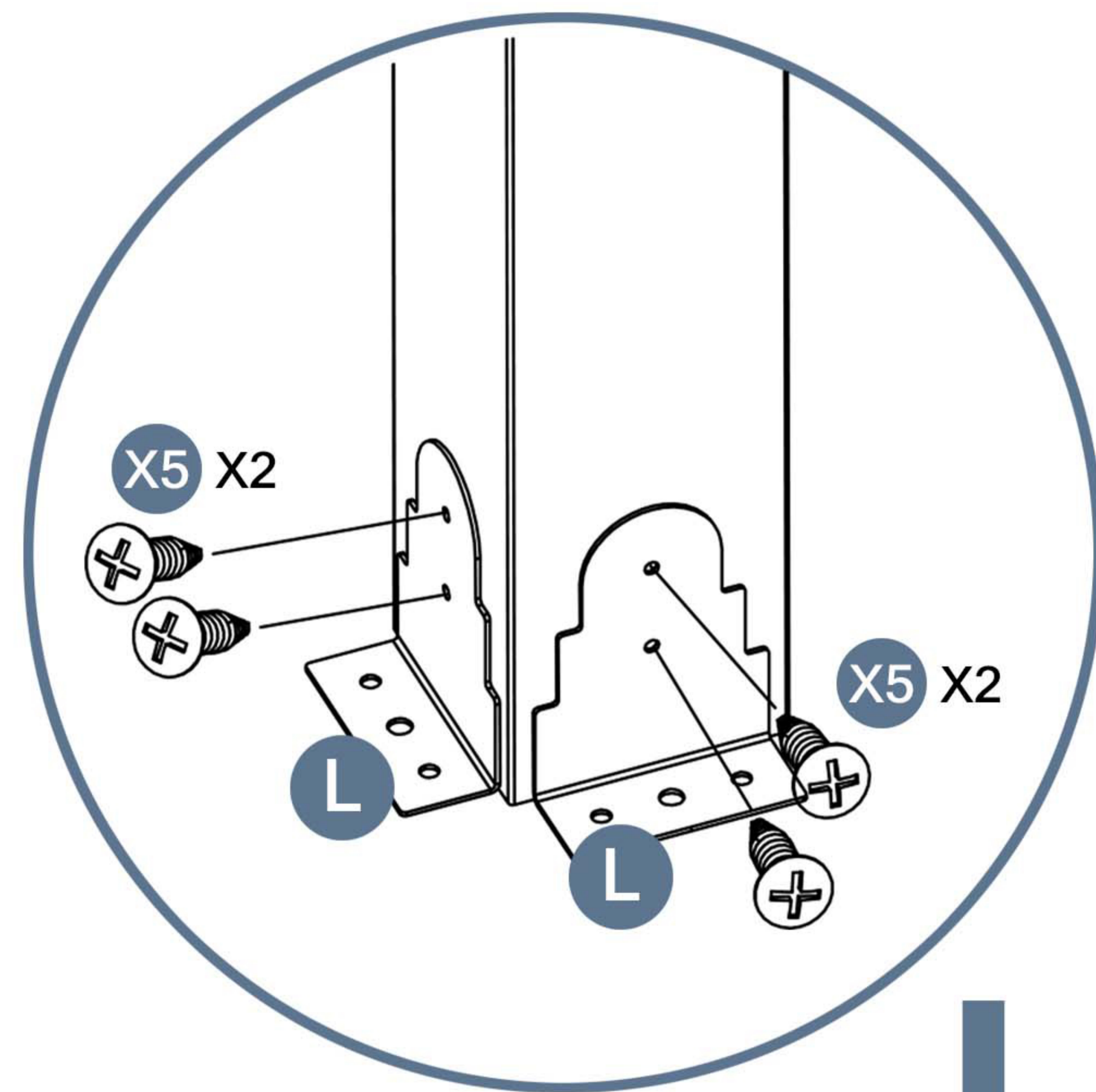
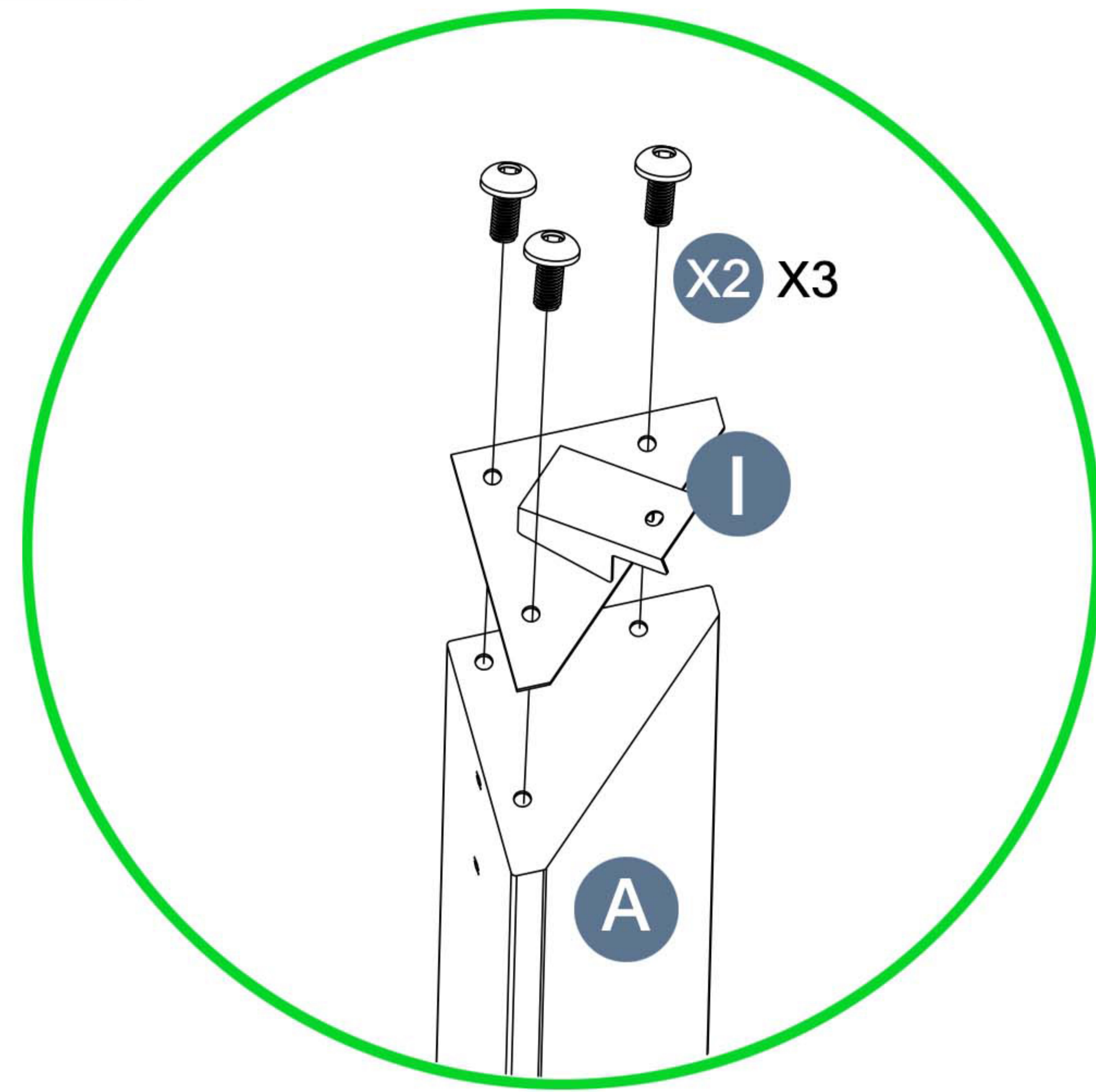
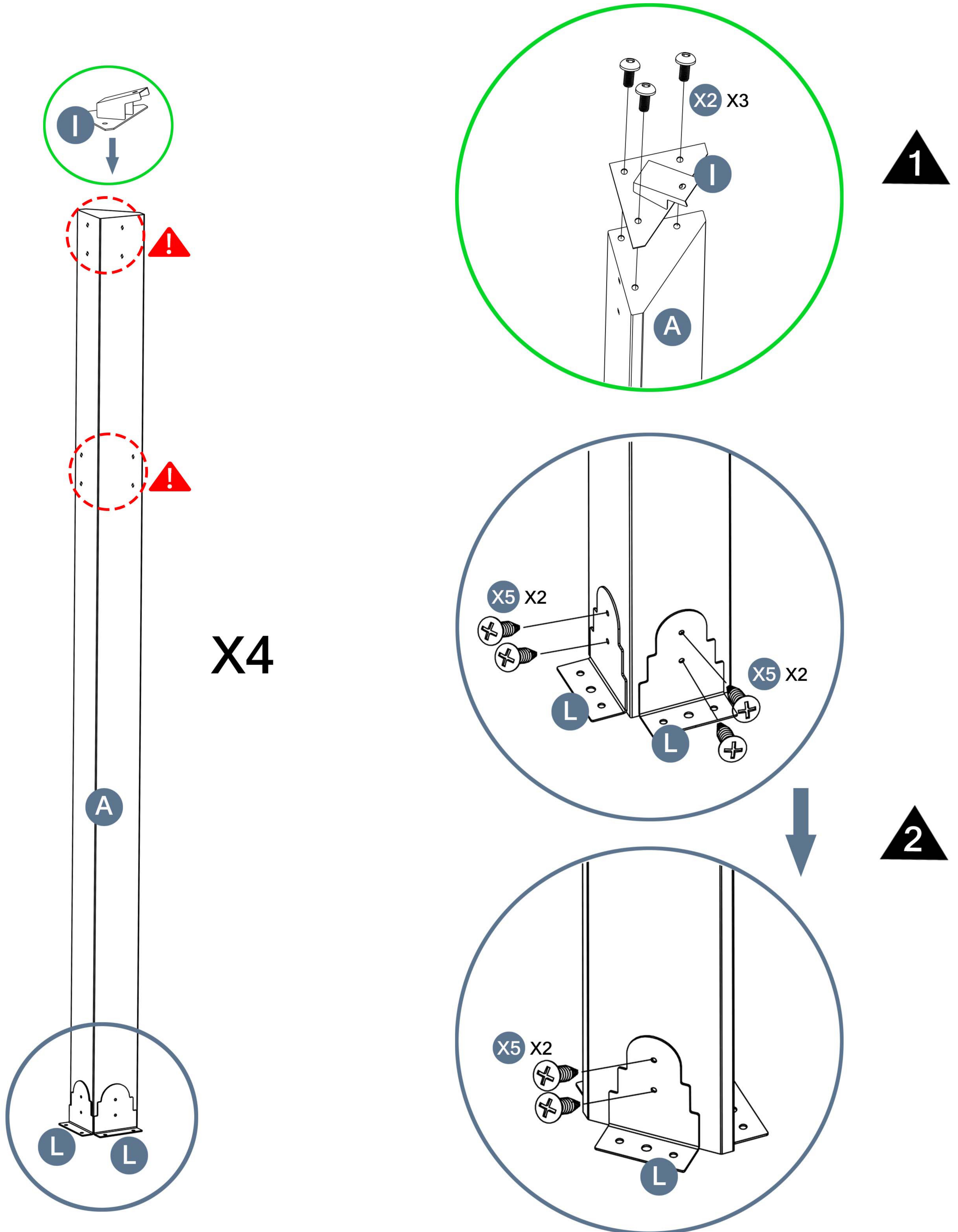
X2 12pcs



X5 24pcs

1 → 2

⚠ Please note the orientation of the hole.

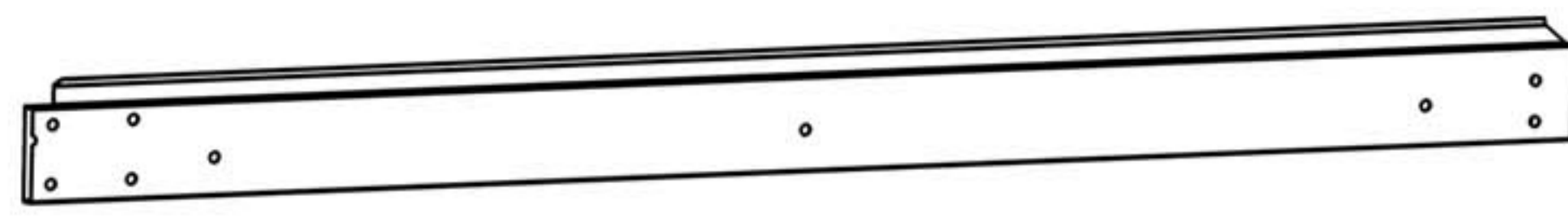


Please take care of the screws and contact the after-sales service if there is any problem with the installation or parts.

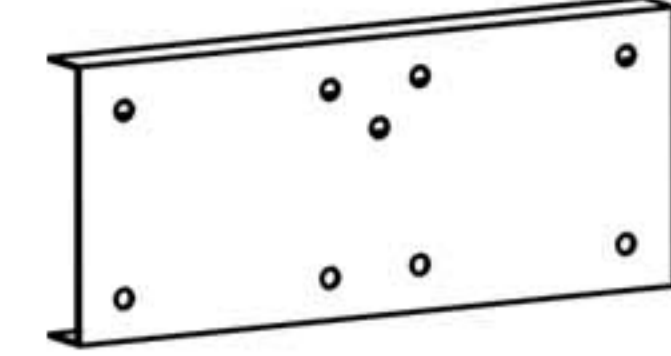
➔ ✉ E-mail: cs.helper01@gmail.com

STEP 2

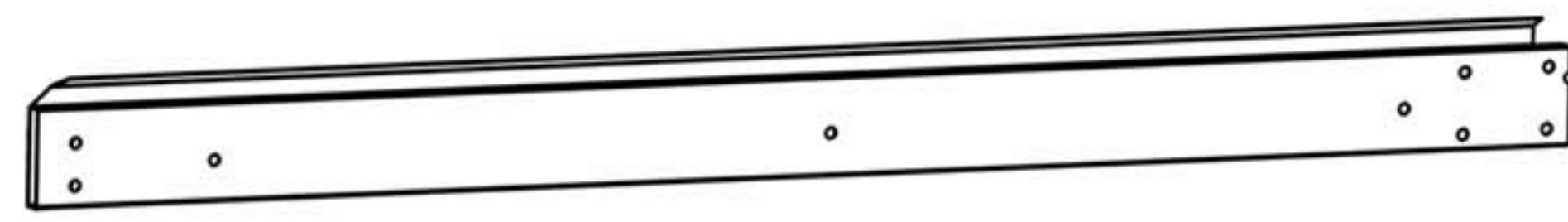
Parts required



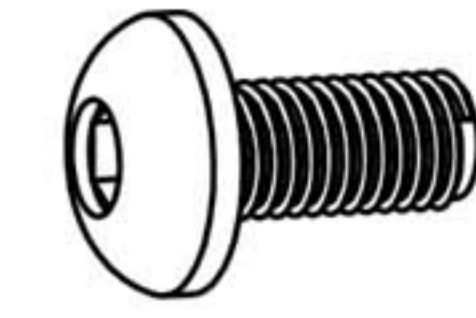
C 4pcs



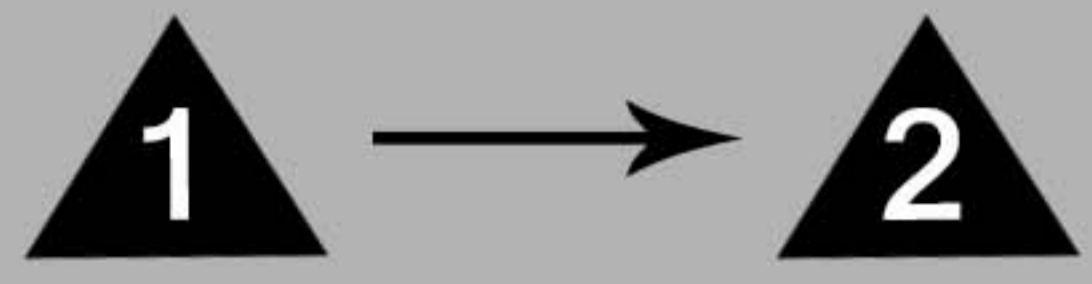
P 4pcs



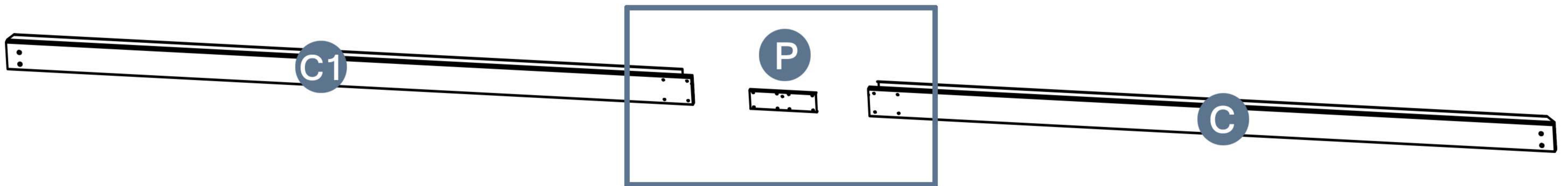
C1 4pcs



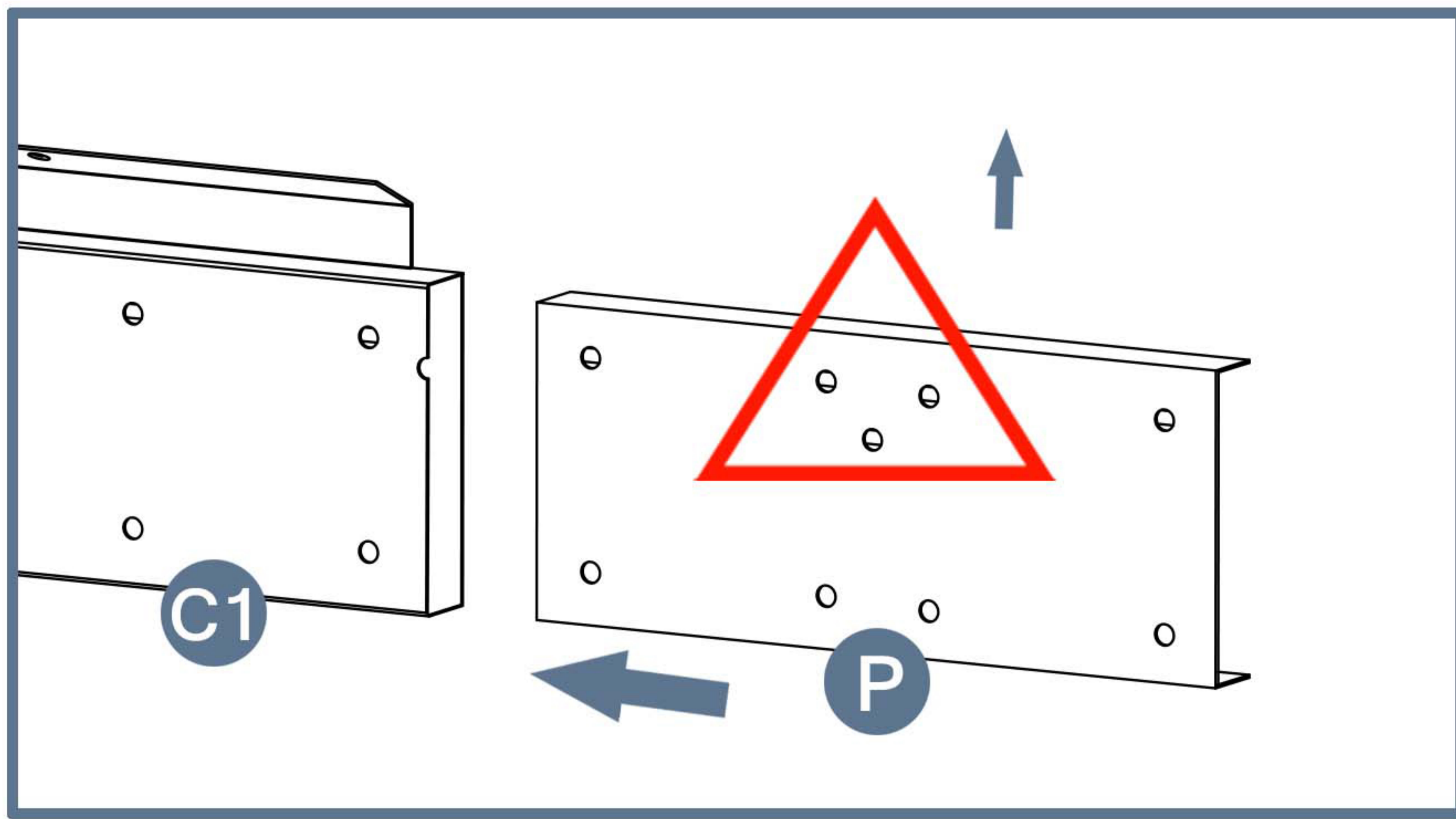
X8 32pcs



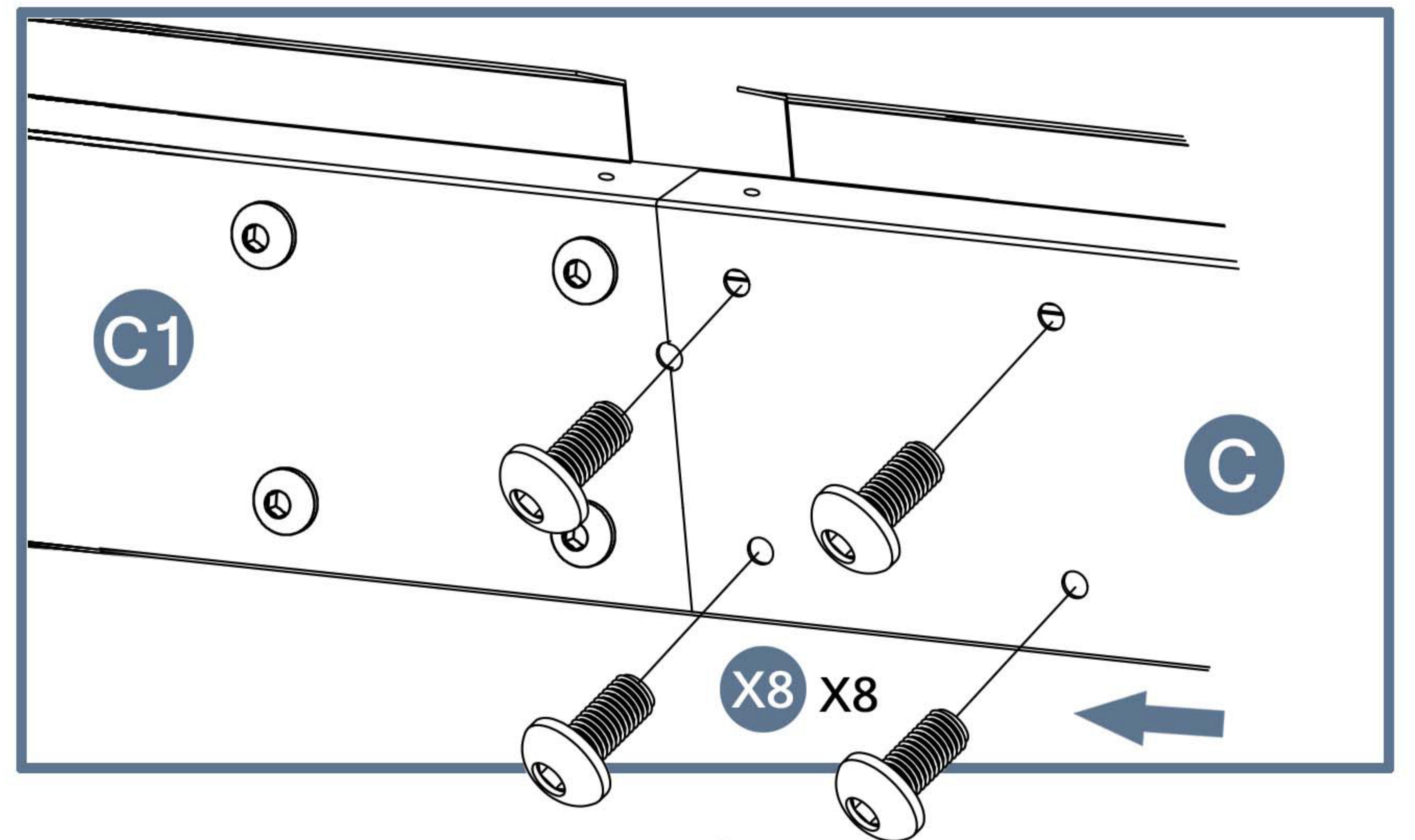
When connecting **C** and **C1** via **P**, make sure that 3 holes on part **P** (as shown in the picture) should be facing upwards. Do not install it upside down.



X4



1



2

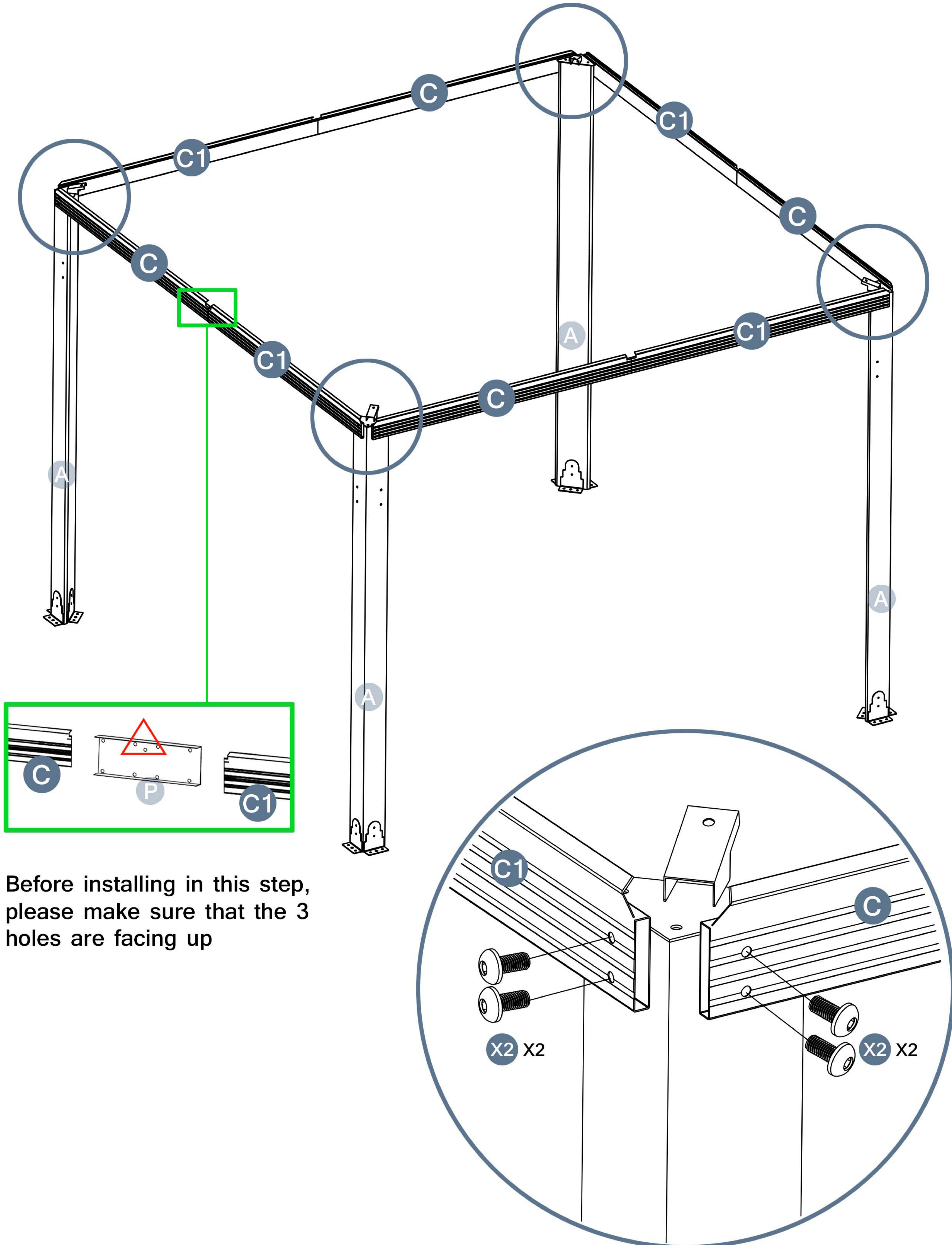
Please take care of the screws and contact the after-sales service if there is any problem with the installation or parts.



STEP 3

Parts required

 X2 16pcs



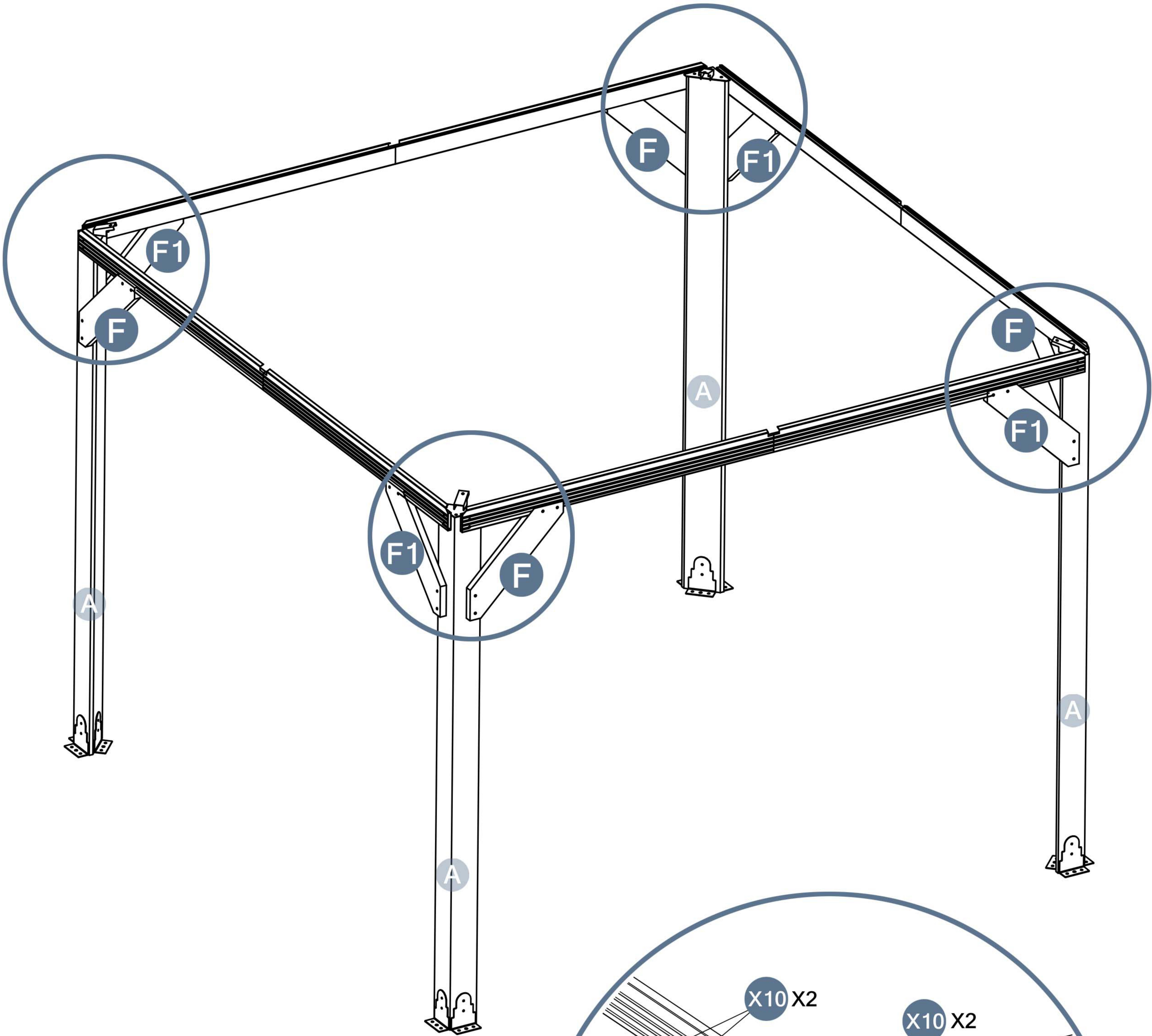
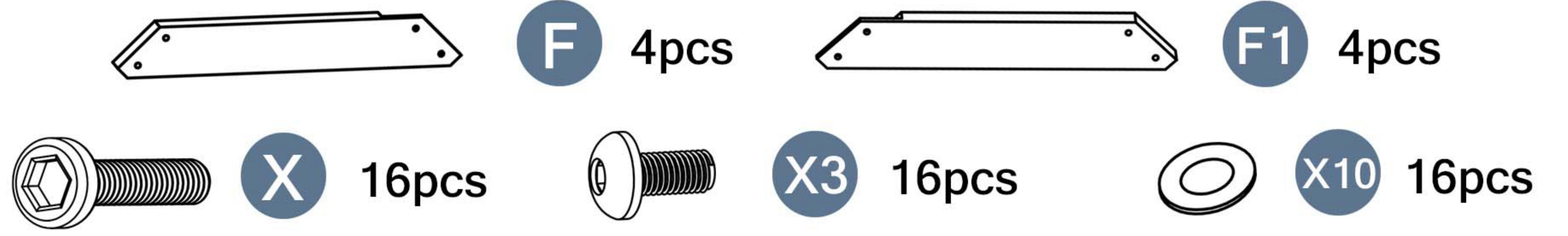
!!! Before installing in this step, please make sure that the 3 holes are facing up


Please take care of the screws and contact the after-sales service if there is any problem with the installation or parts.

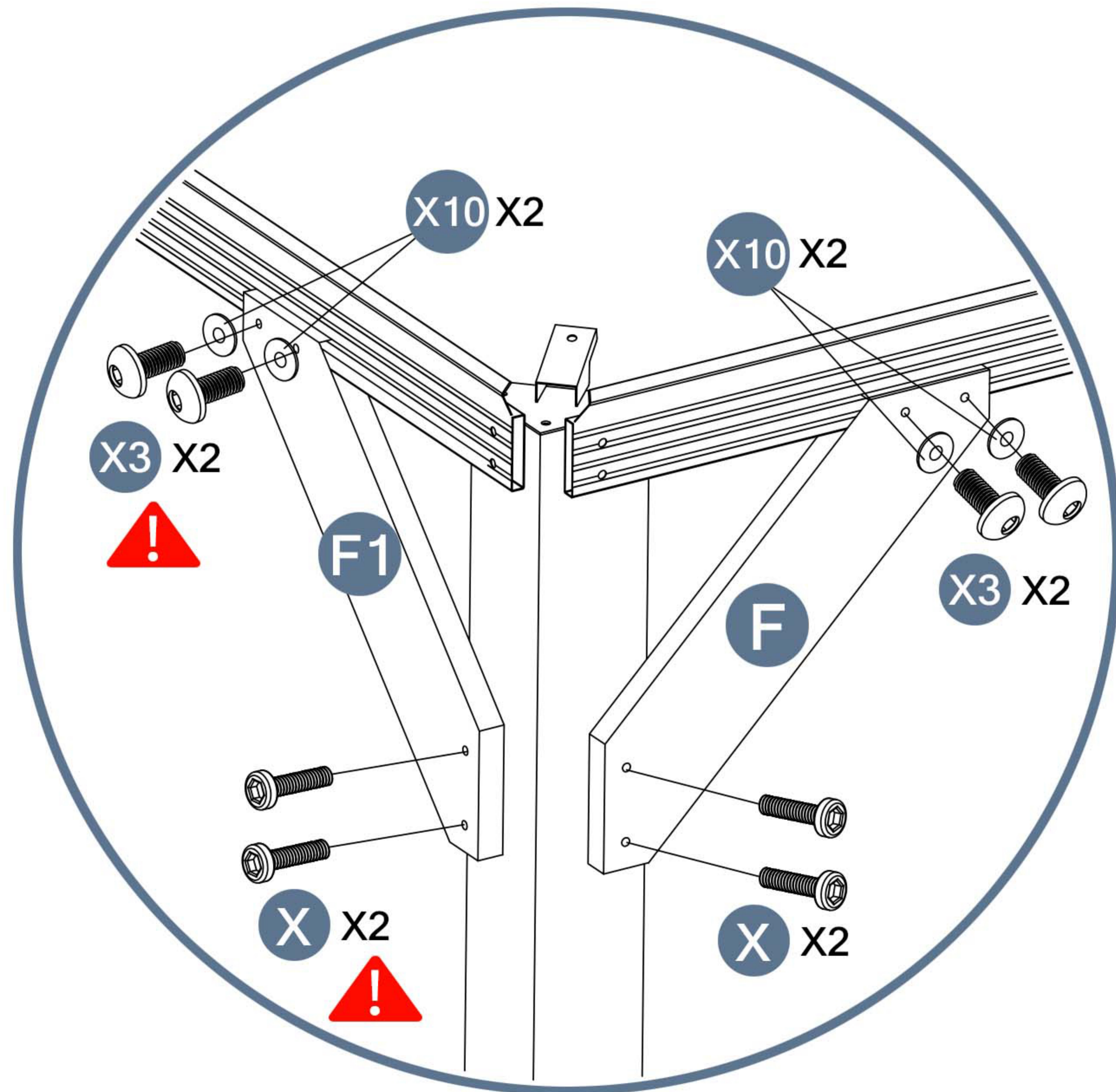
➔  E-mail: cs.helper01@gmail.com

STEP 4

Parts required



!!! Note  the screws above and below are different.



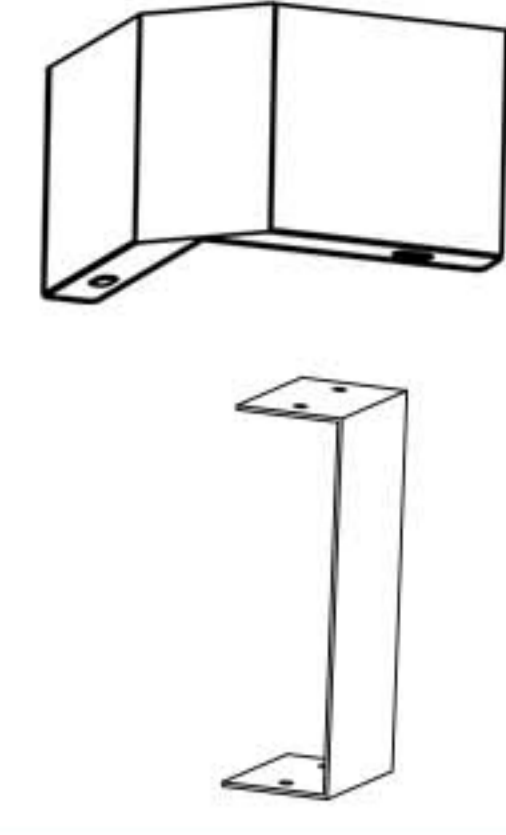
Please take care of the screws and contact the after-sales service if there is any problem with the installation or parts.



E-mail: cs.helper01@gmail.com

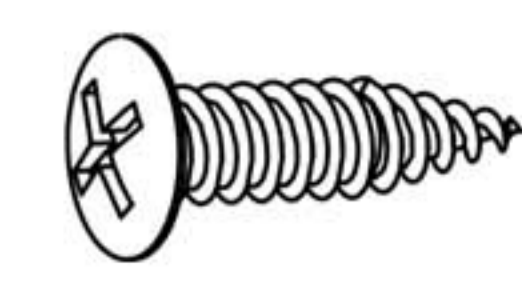
STEP 5

Parts required



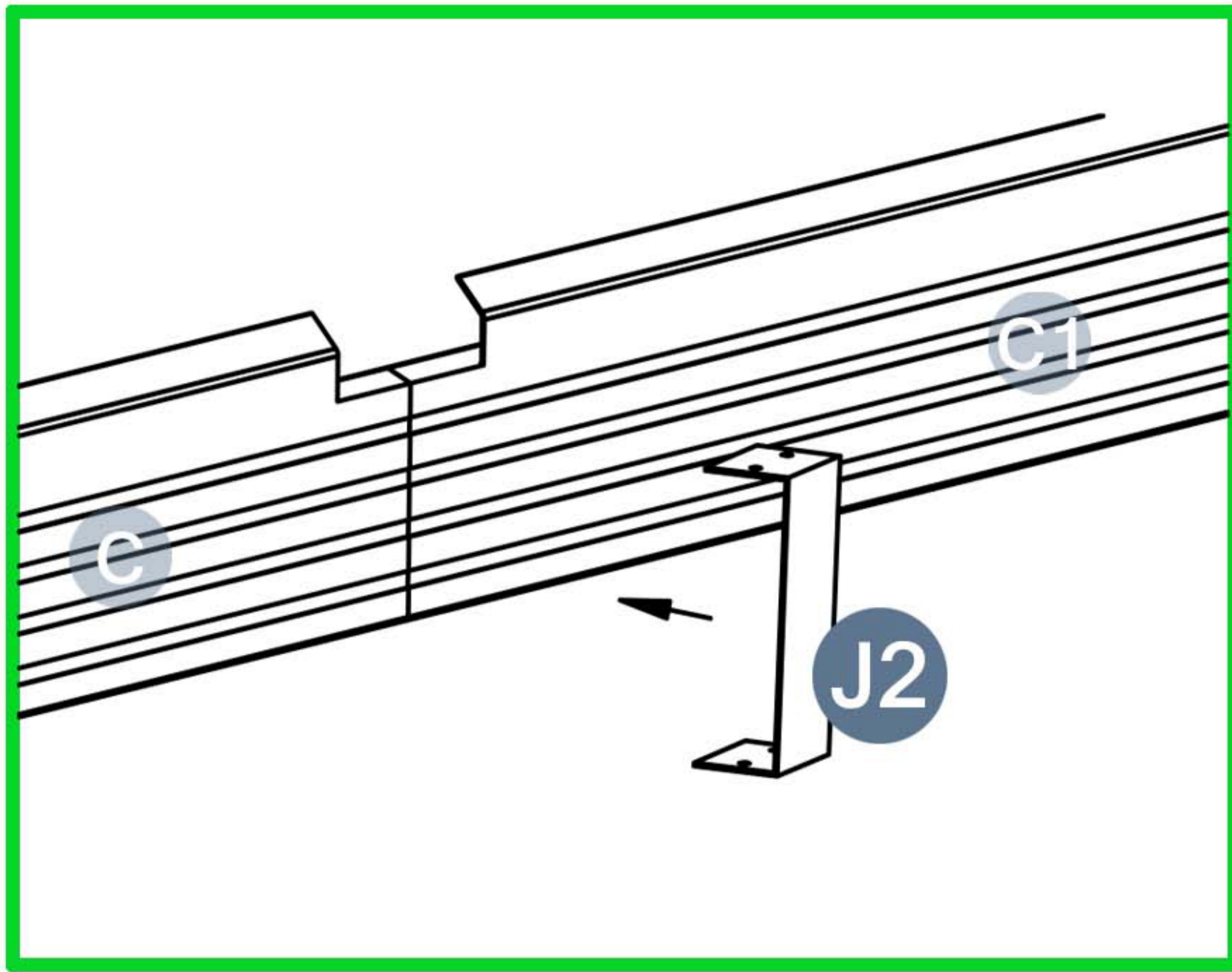
J1 4pcs

J2 4pcs

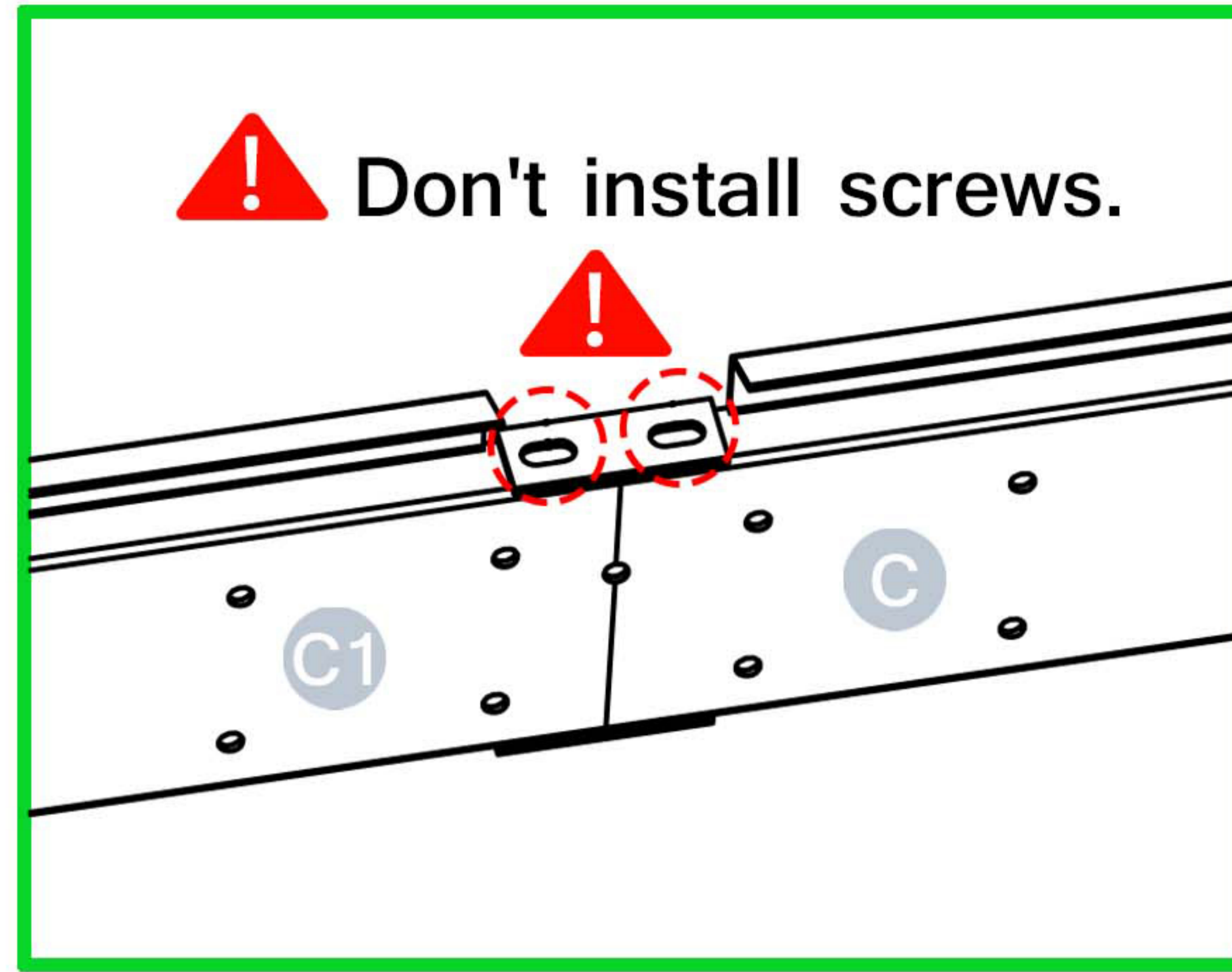


X1 16pcs

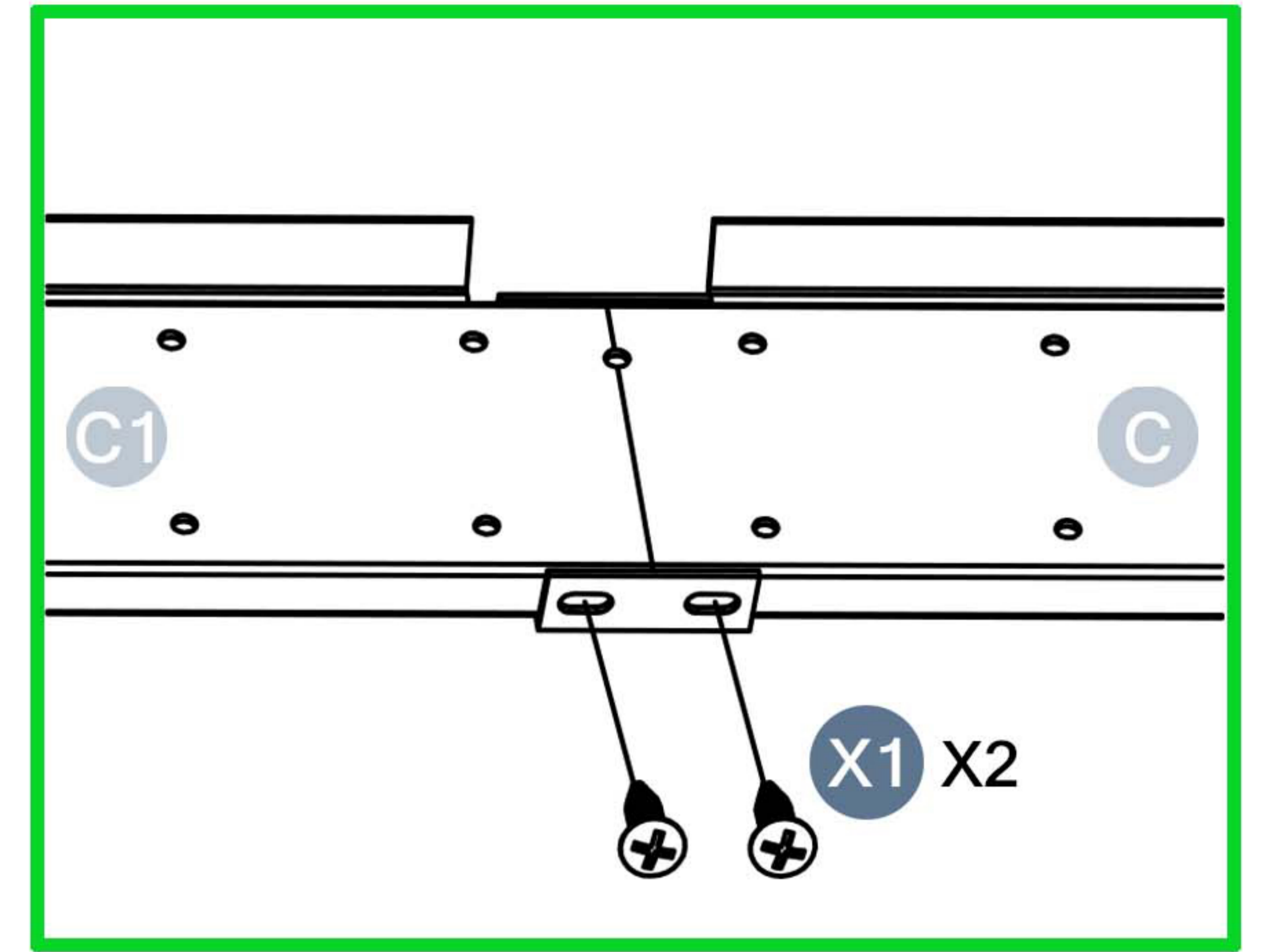
1 → 2 → 3 → 4



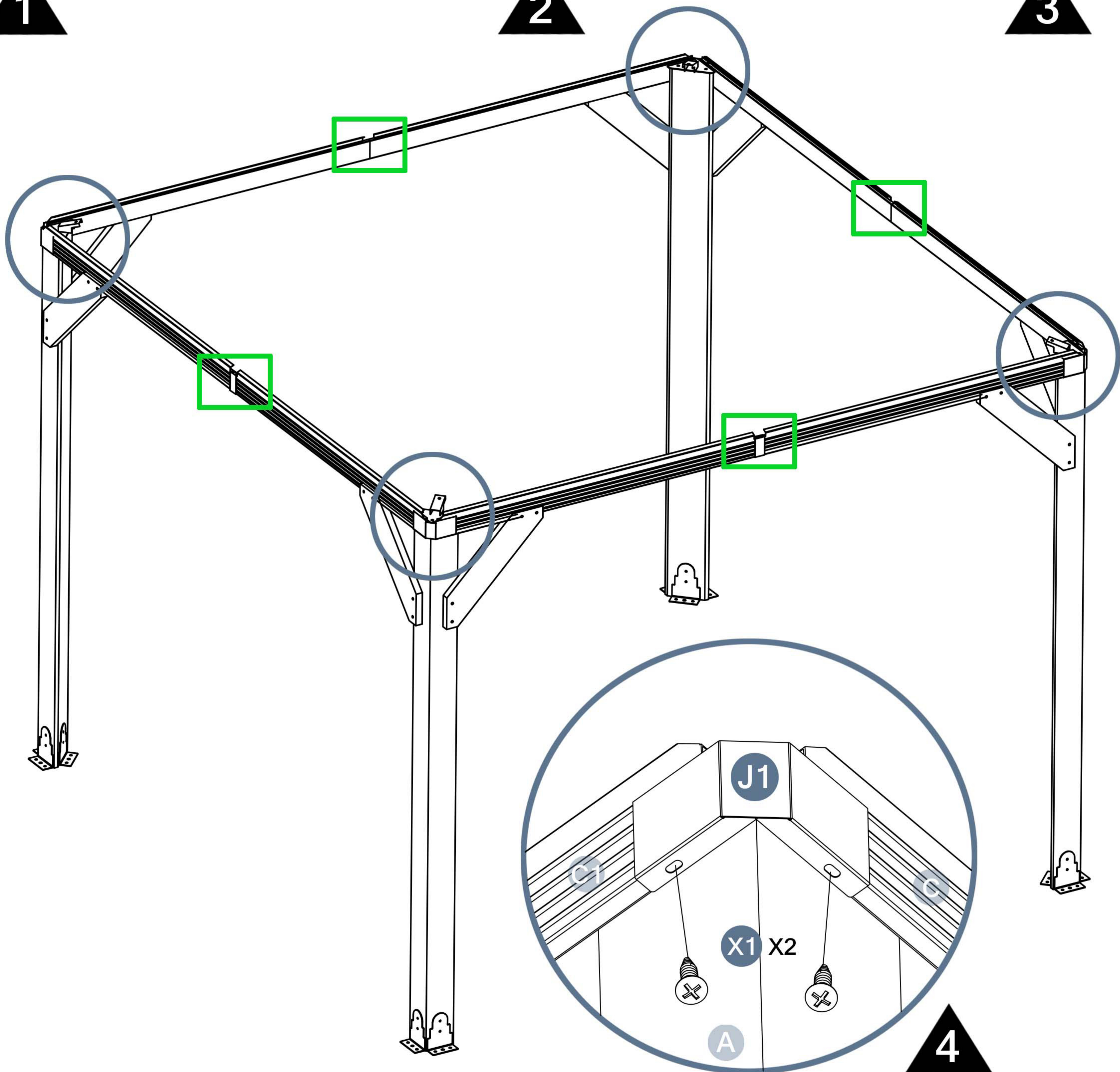
1



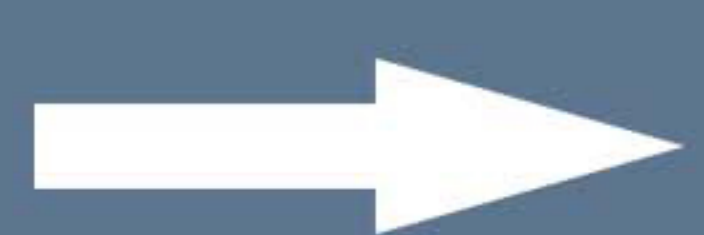
2



3



Please take care of the screws and contact the after-sales service if there is any problem with the installation or parts.



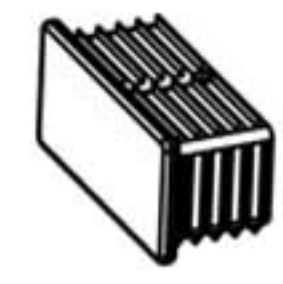
E-mail: cs.helper01@gmail.com

STEP 6

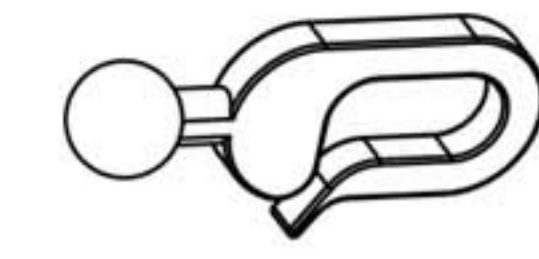
Parts required



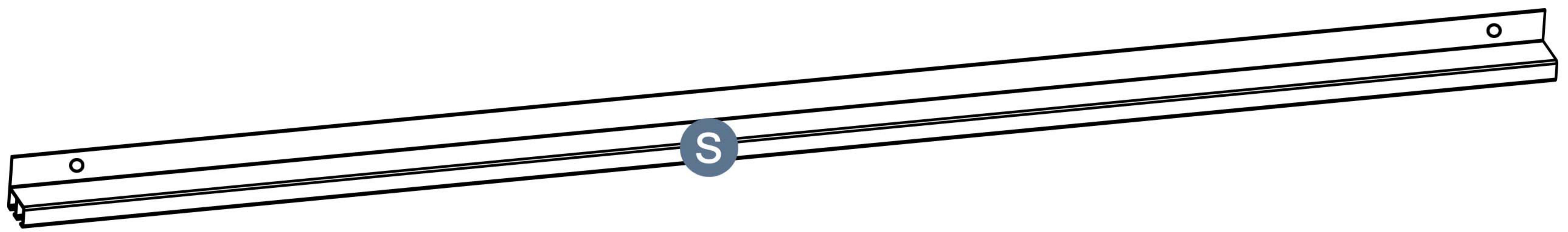
S 8pcs



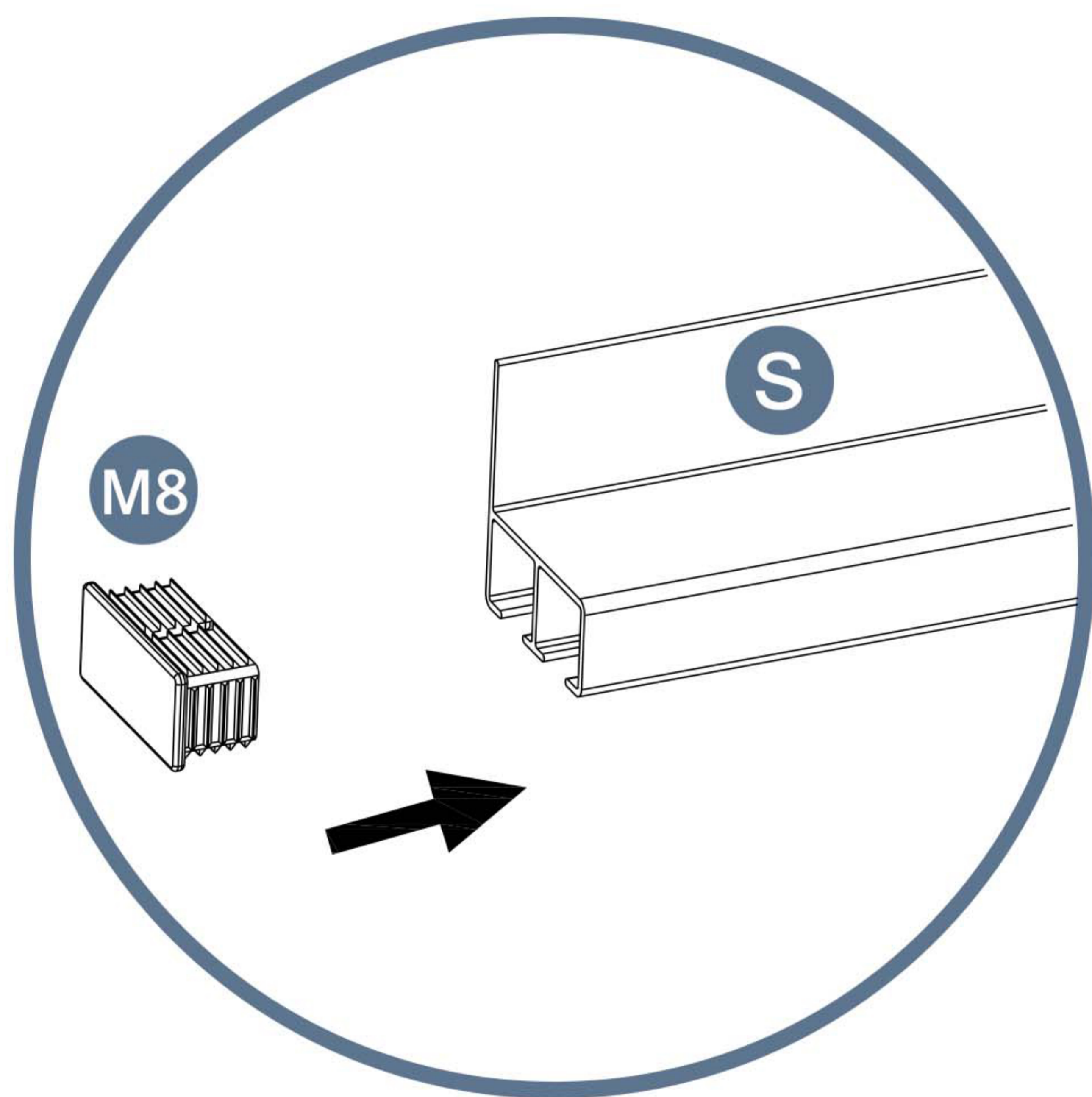
M8 16pcs



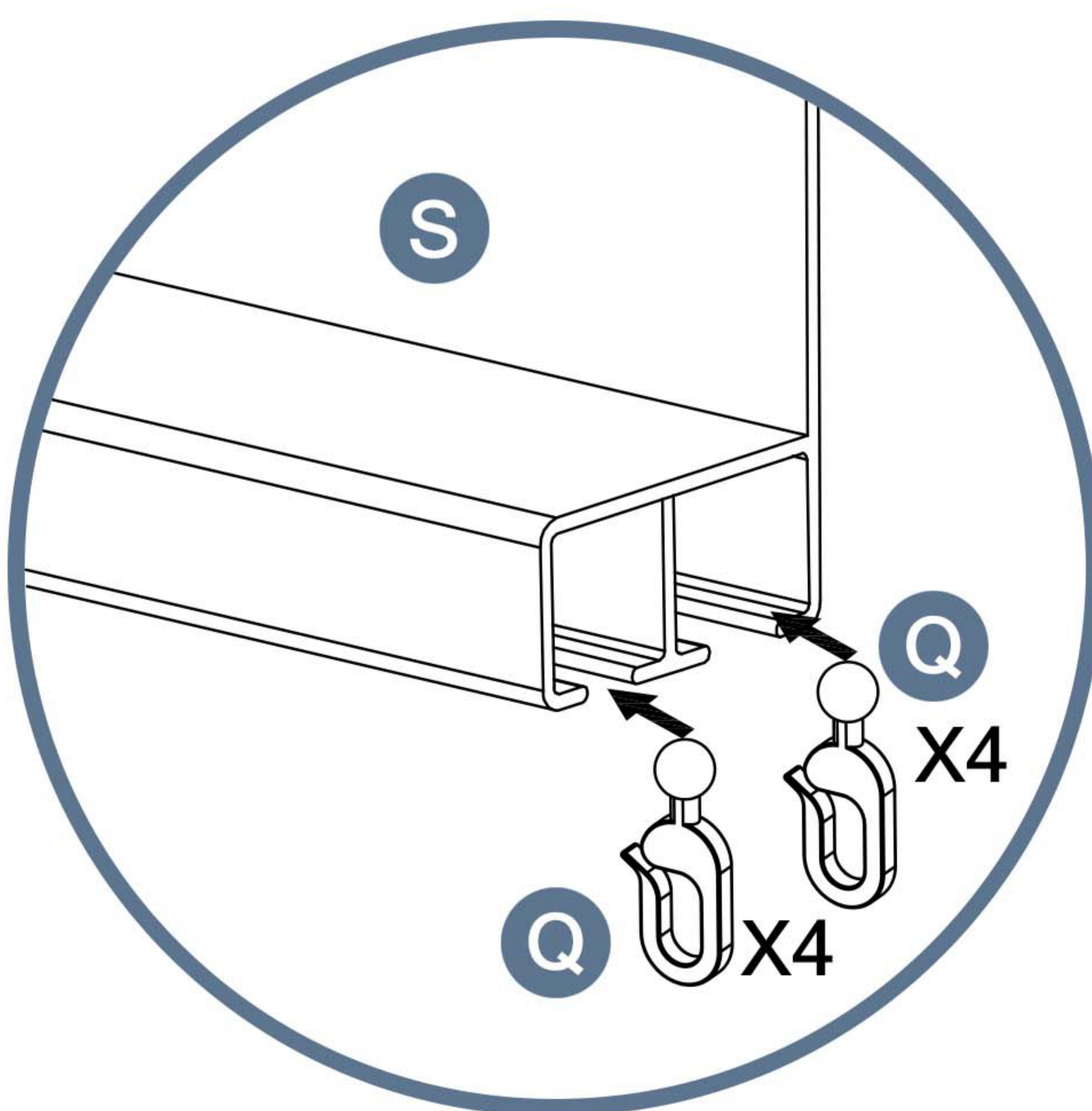
Q 64pcs



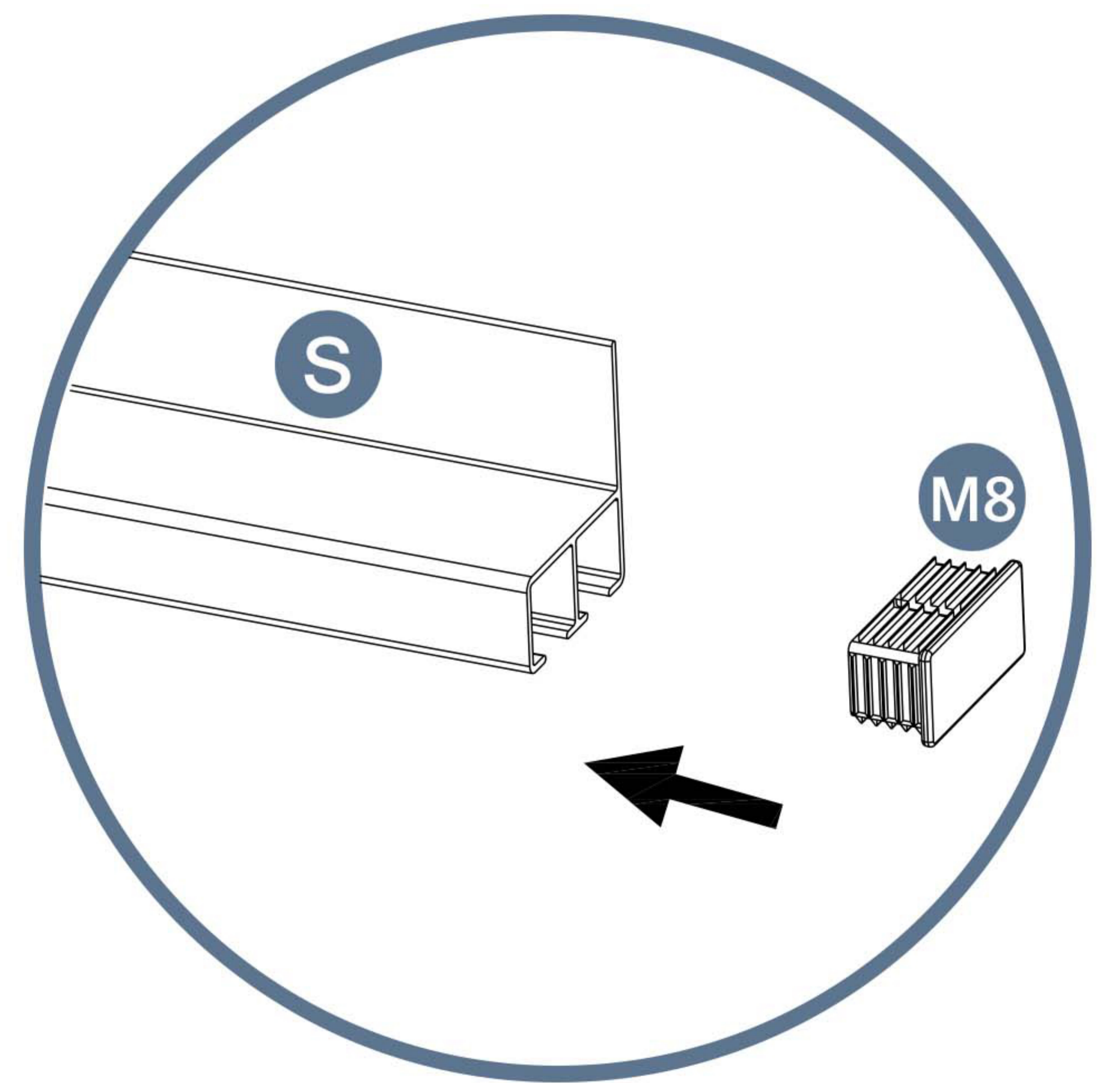
X8



1

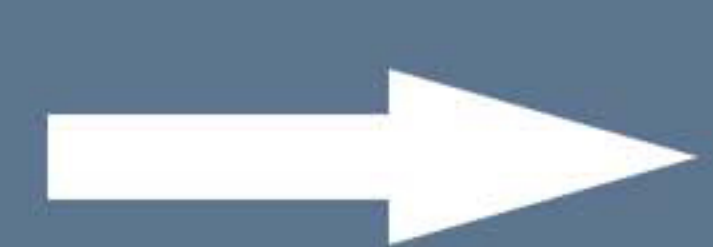


2



3

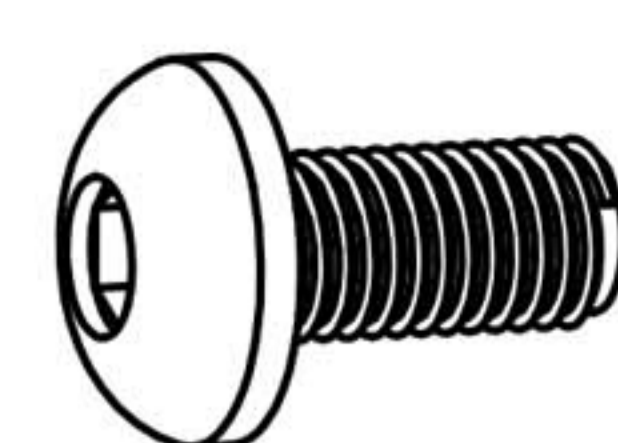
Please take care of the screws and contact the after-sales service if there is any problem with the installation or parts.



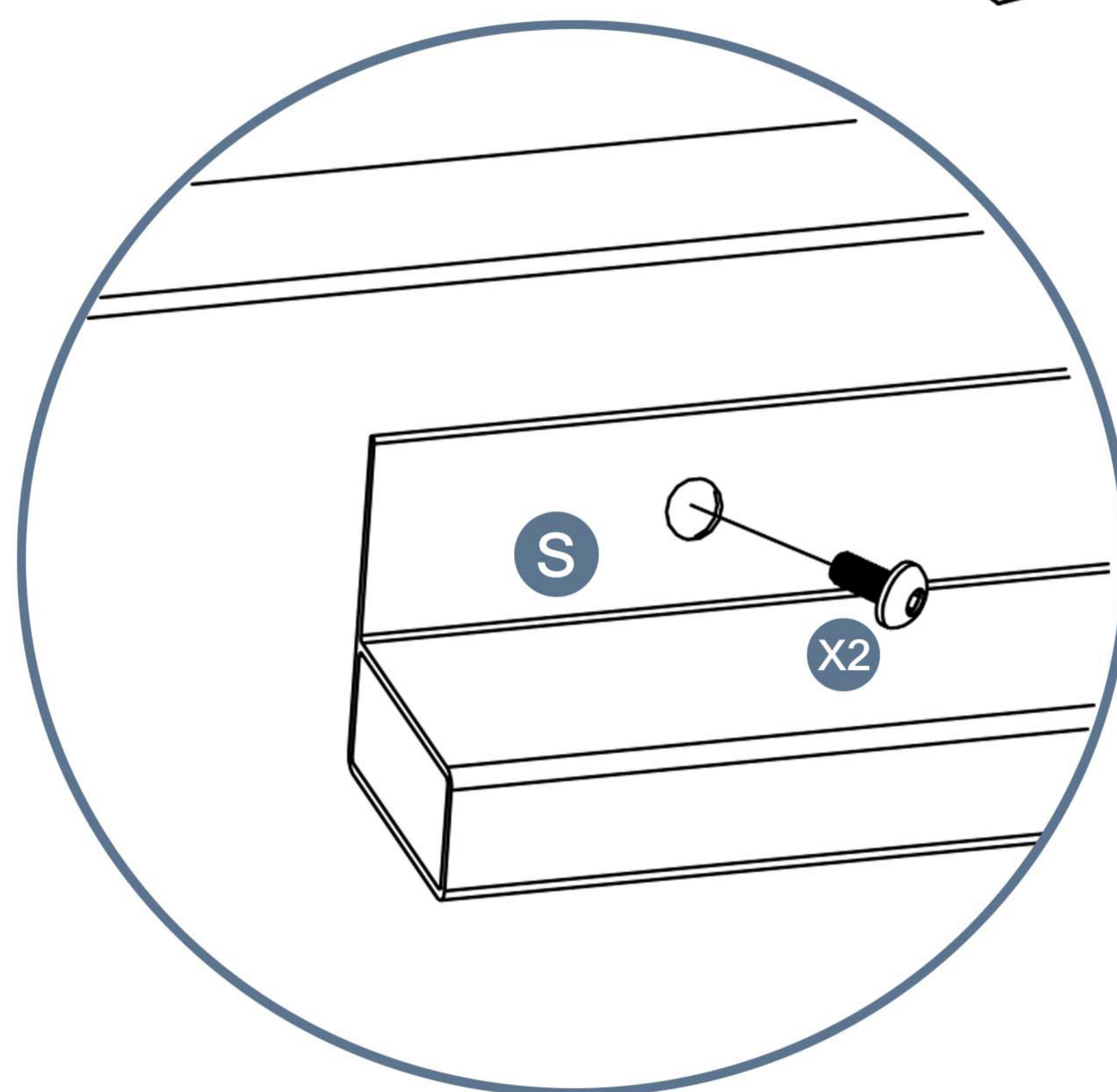
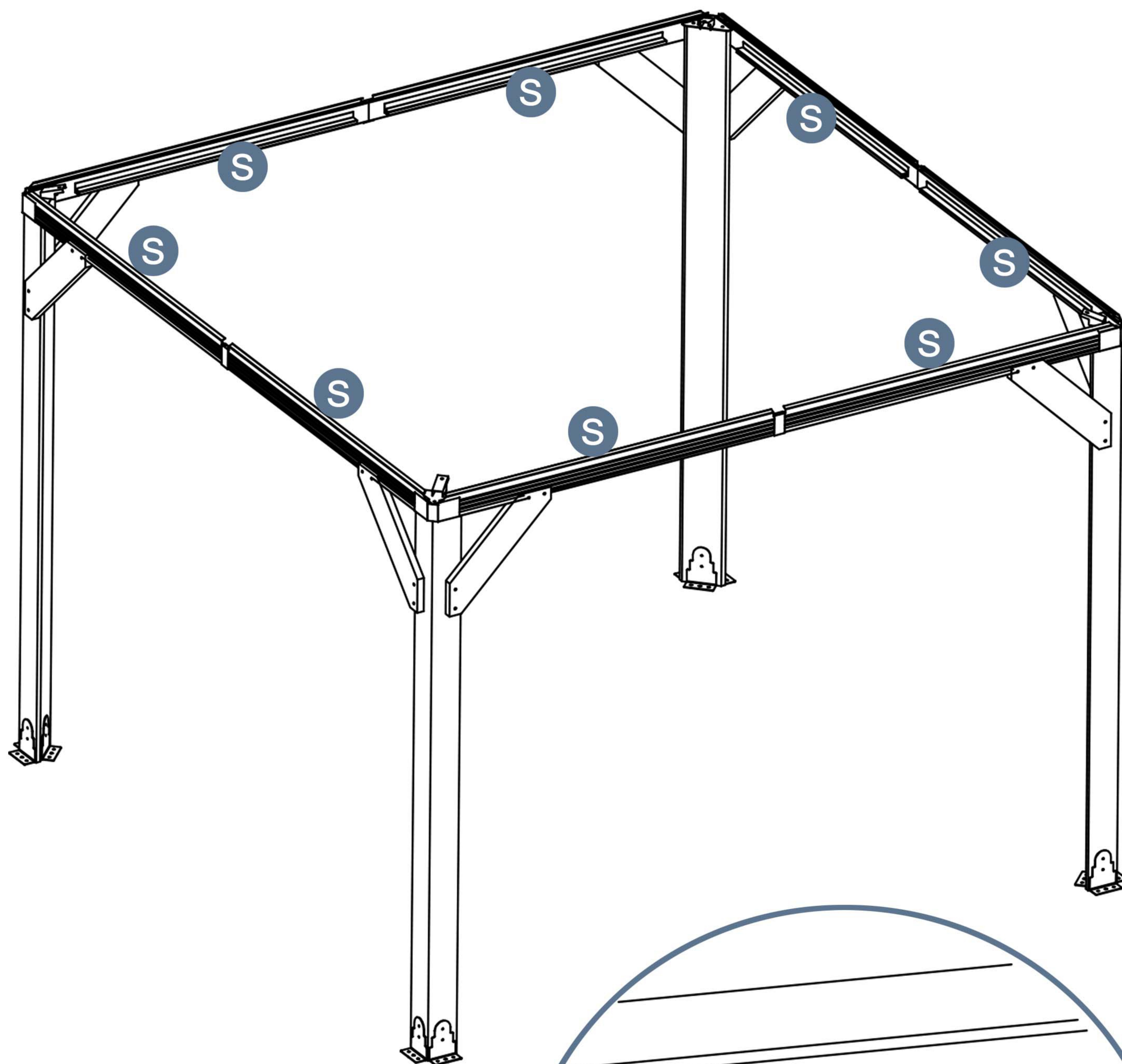
E-mail: cs.helper01@gmail.com

STEP 7

Parts required



X2 16pcs

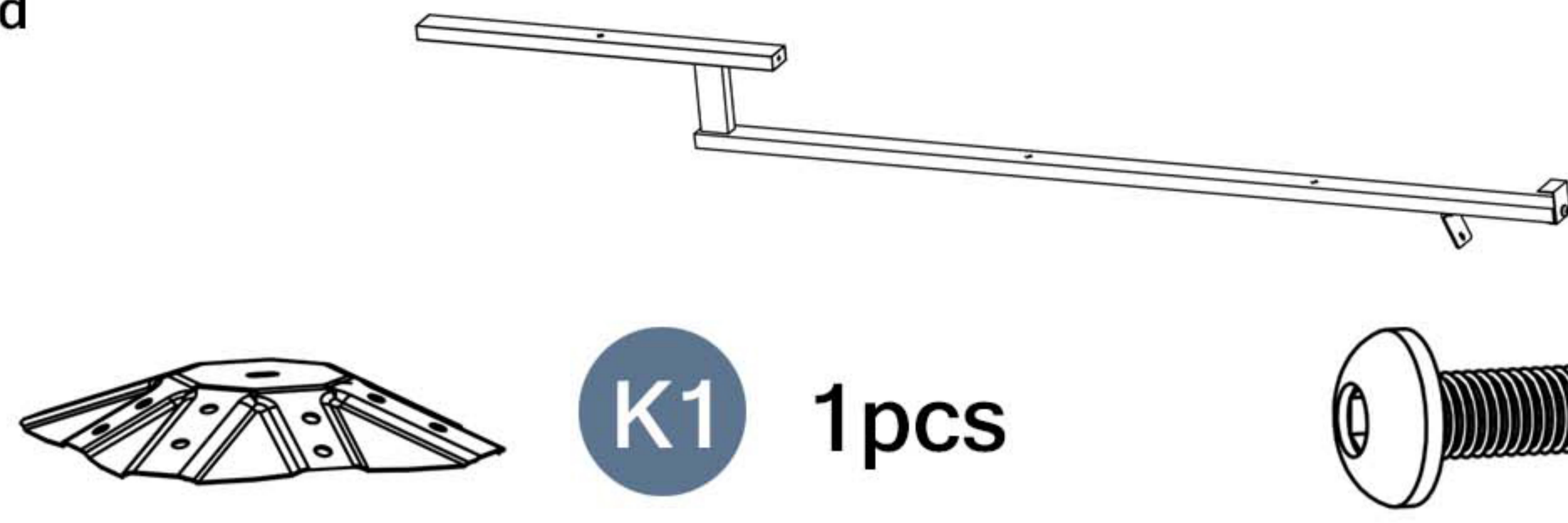


Please take care of the screws and contact the after-sales service if there is any problem with the installation or parts.

➔ ✉ E-mail: cs.helper01@gmail.com

STEP 8

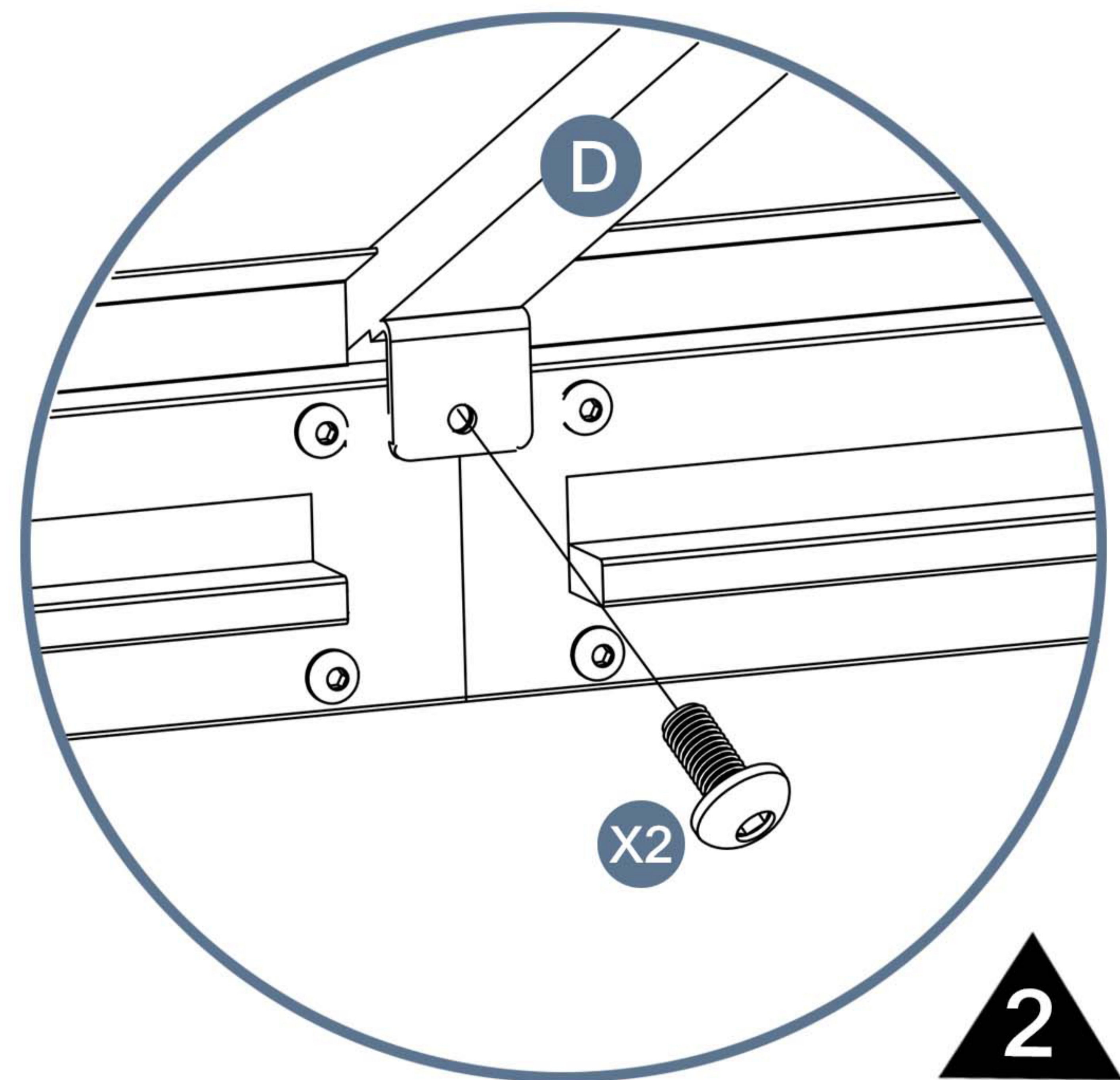
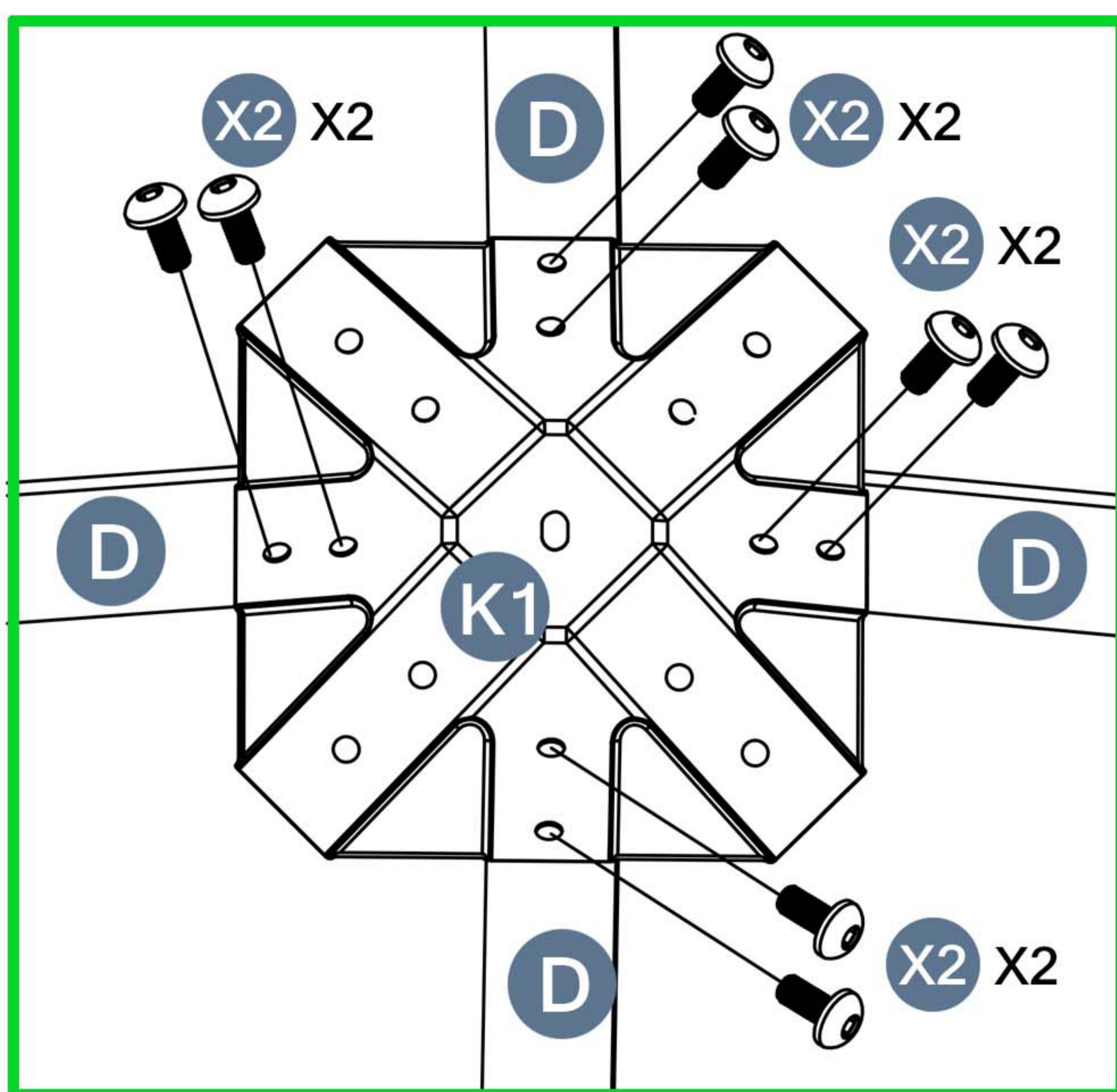
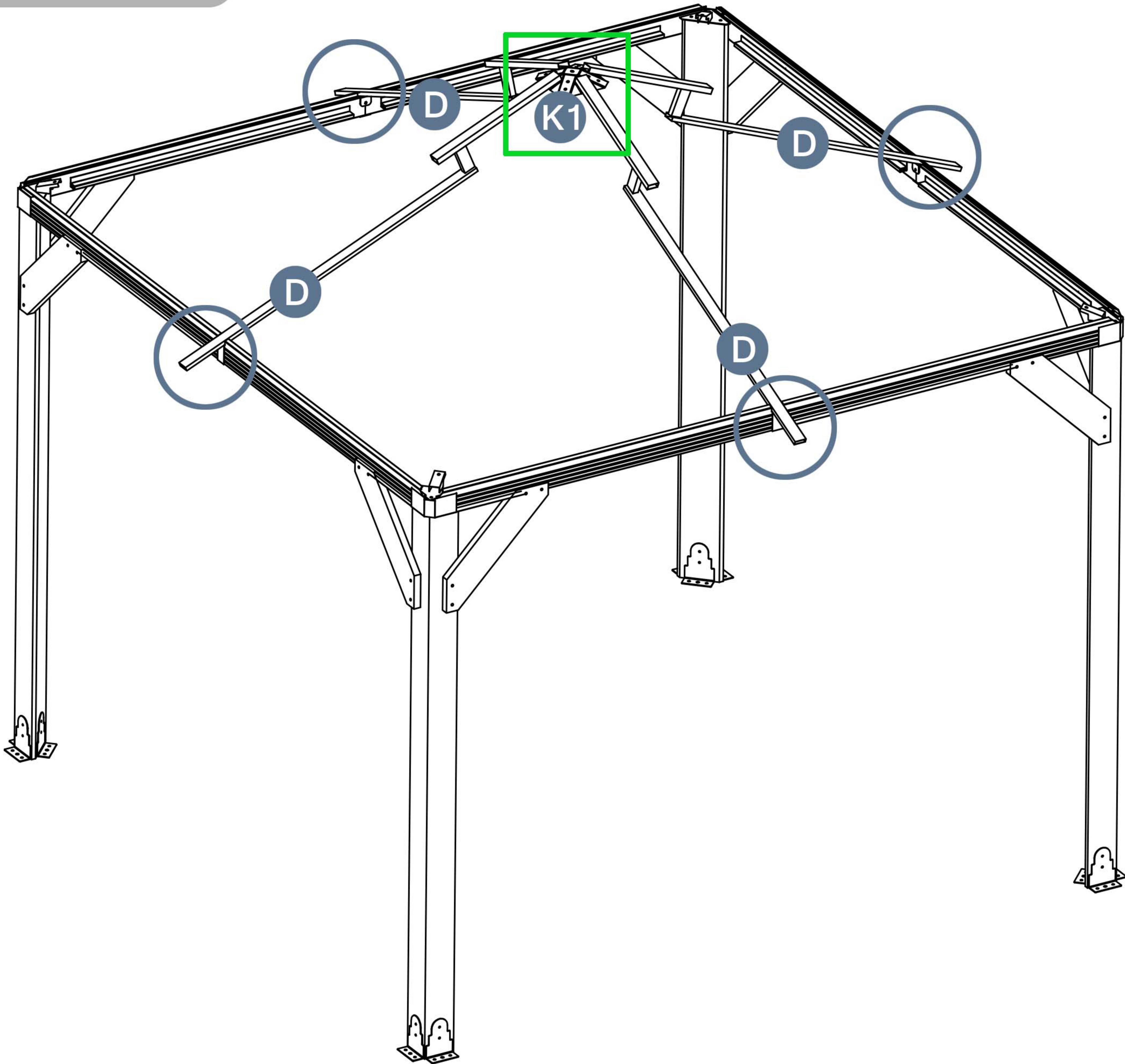
Parts required



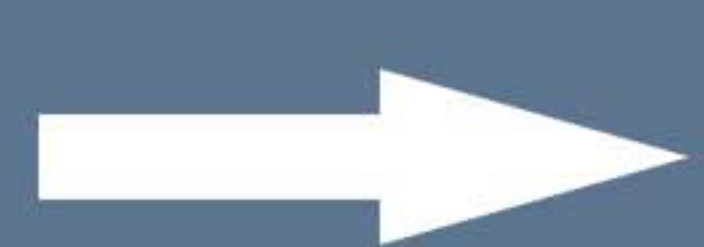
D 4pcs

K1 1pcs

X2 12pcs



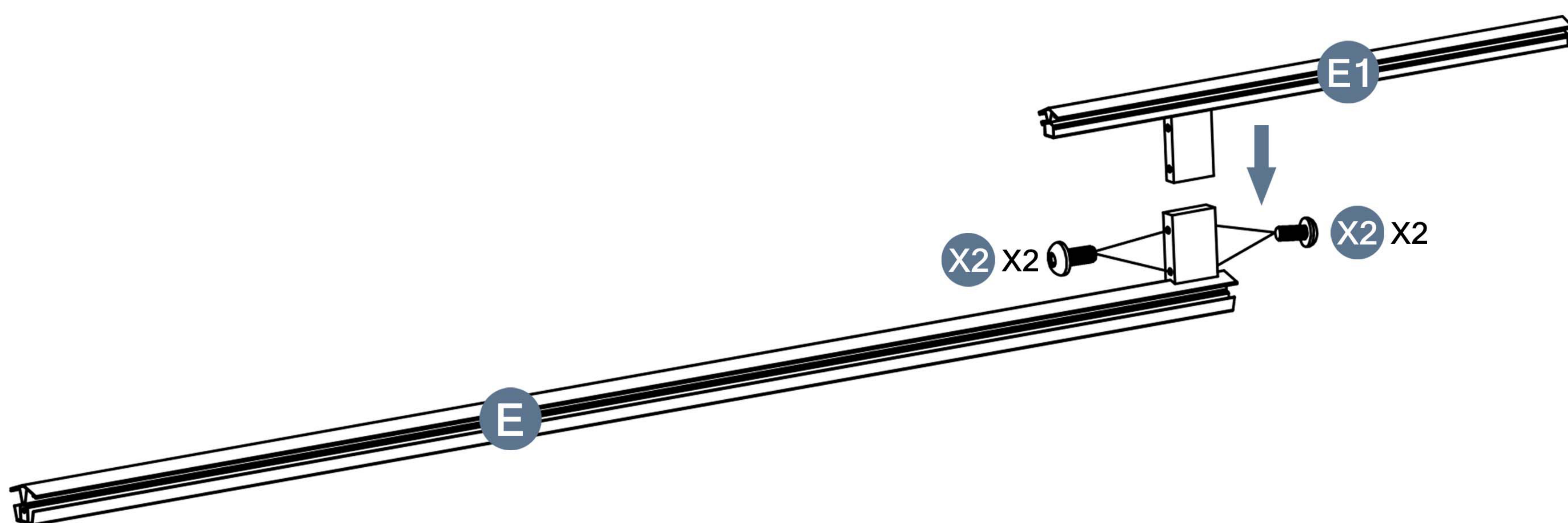
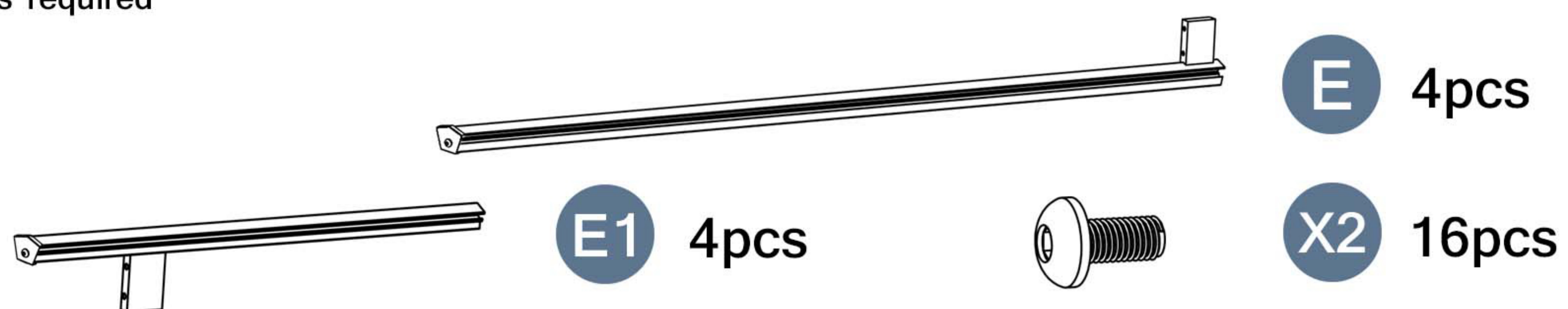
Please take care of the screws and contact the after-sales service if there is any problem with the installation or parts.



E-mail: cs.helper01@gmail.com

STEP 9

Parts required



Please take care of the screws and contact the after-sales service if there is any problem with the installation or parts.

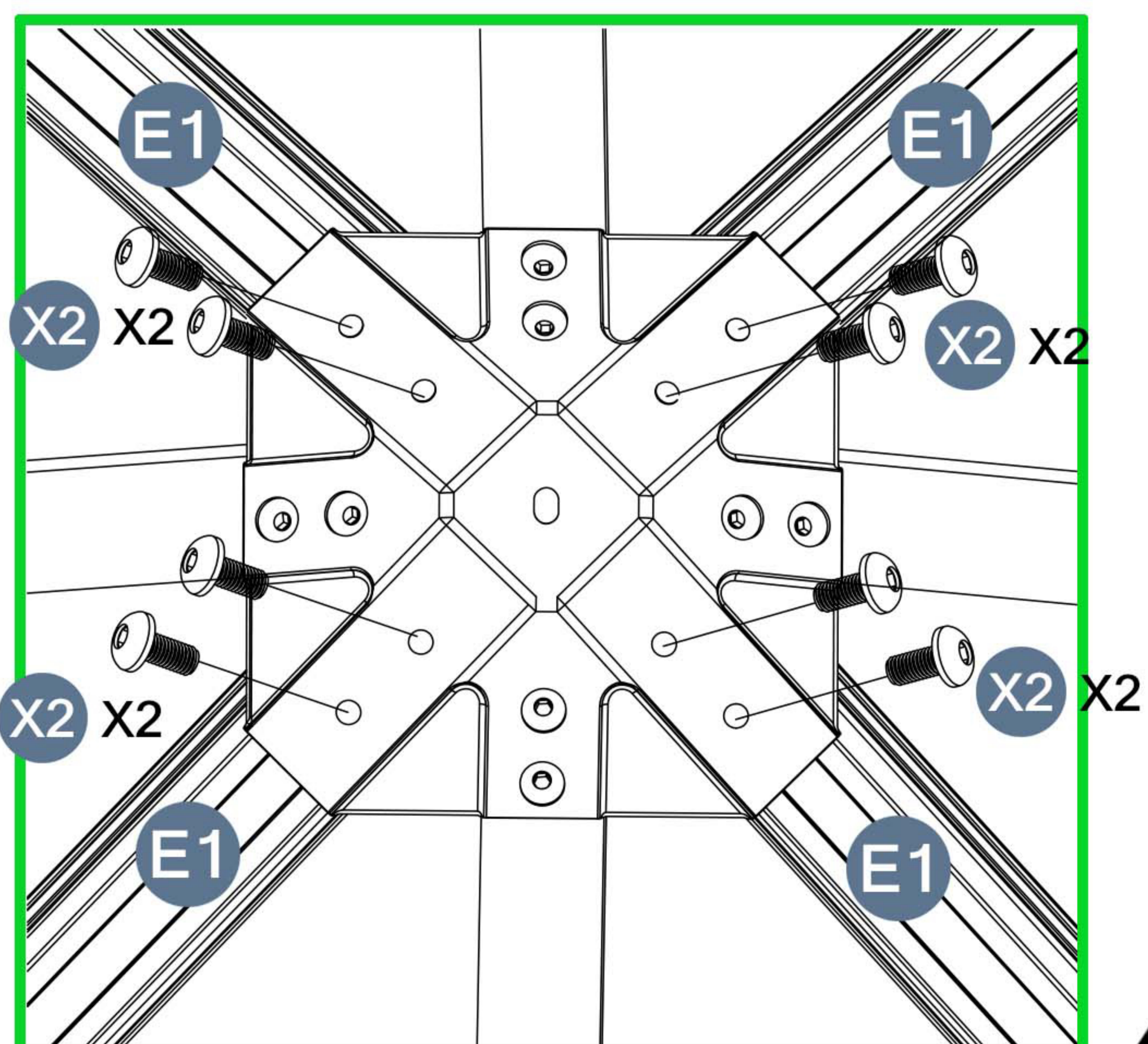
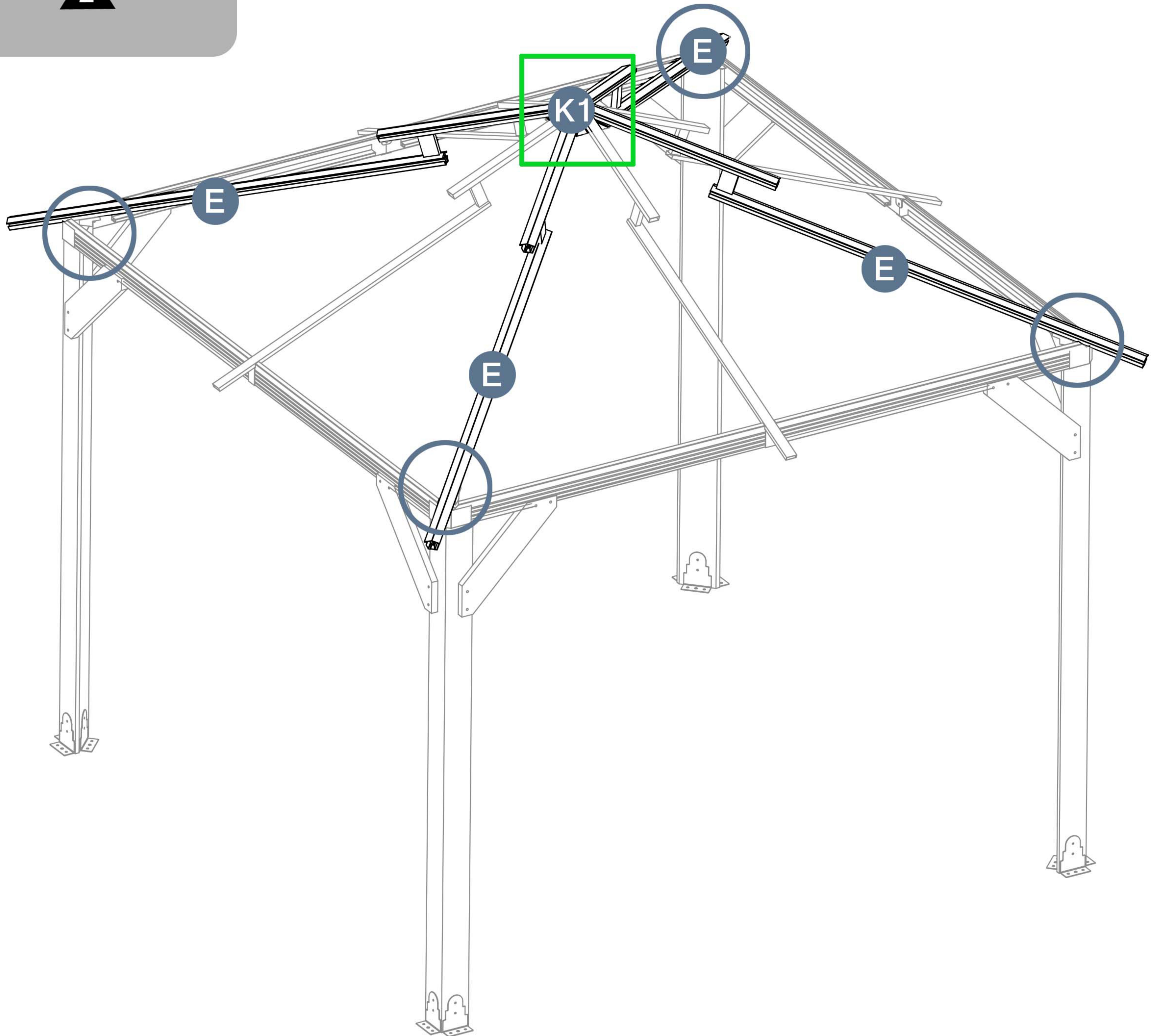
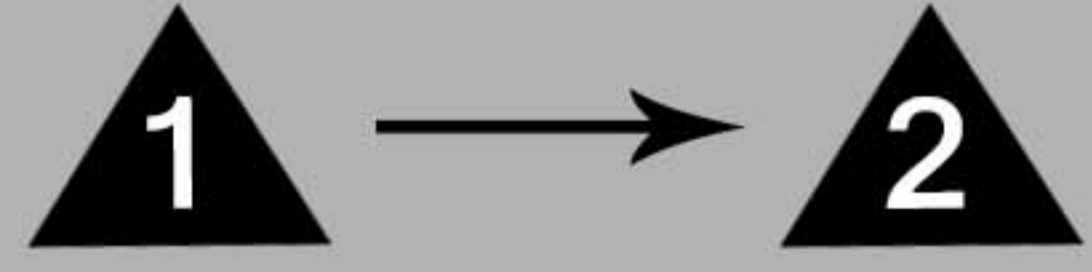
➔ ✉ E-mail: cs.helper01@gmail.com

STEP 10

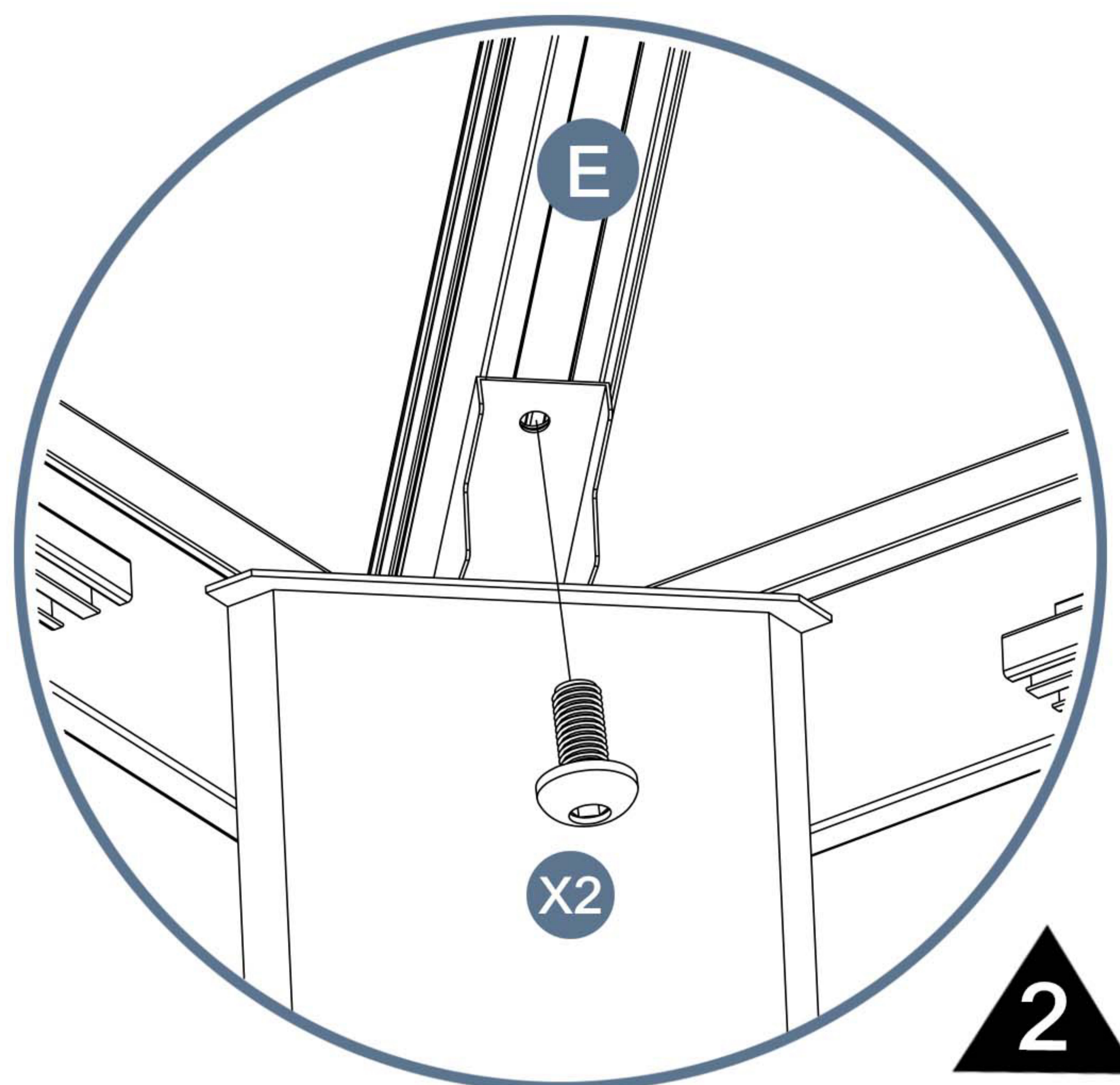
Parts required



X2 12pcs



1



2

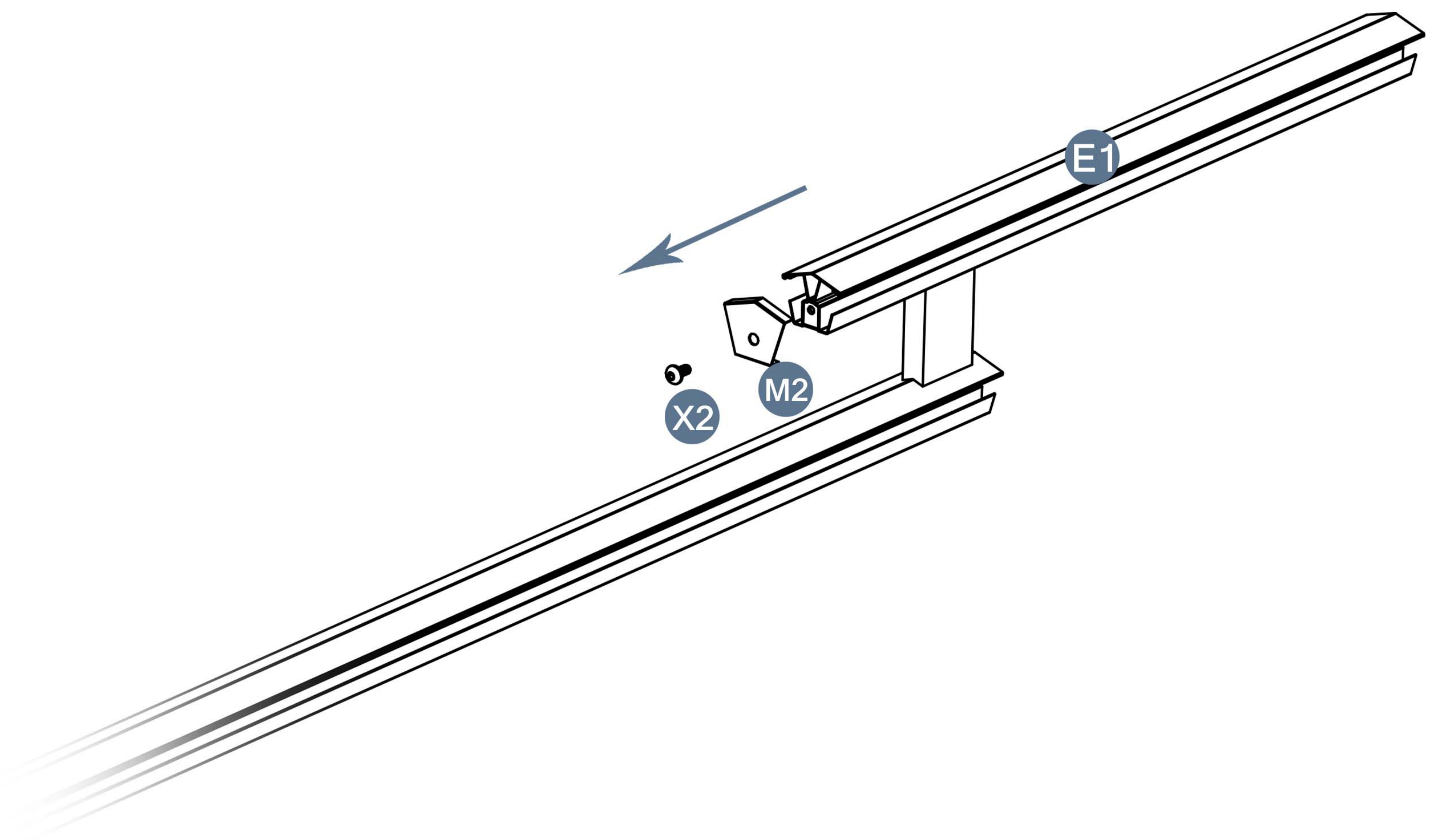
Please take care of the screws and contact the after-sales service if there is any problem with the installation or parts.



E-mail: cs.helper01@gmail.com

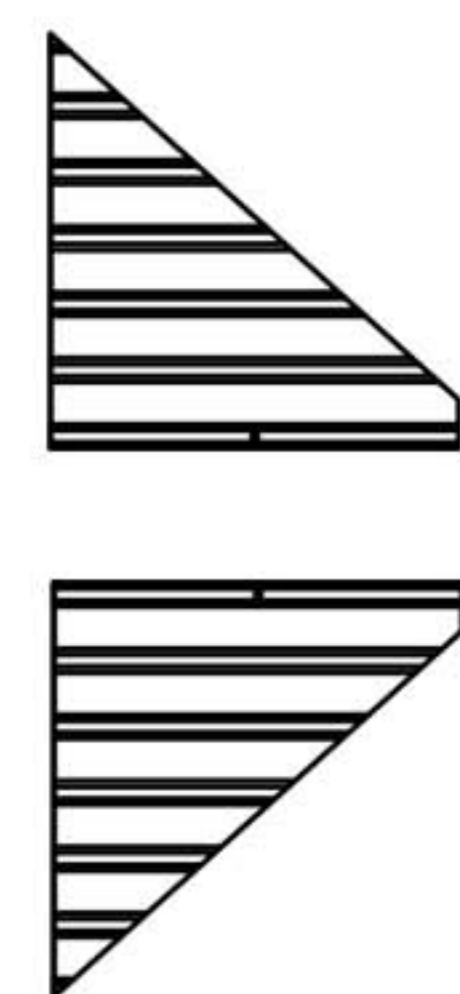
To prevent the loss of M2
we mounted the M2 on top of the E1 ahead of time

Before installing step 11, please remove the 4 M2's from the part E1. (Reinstall them during step 13) .



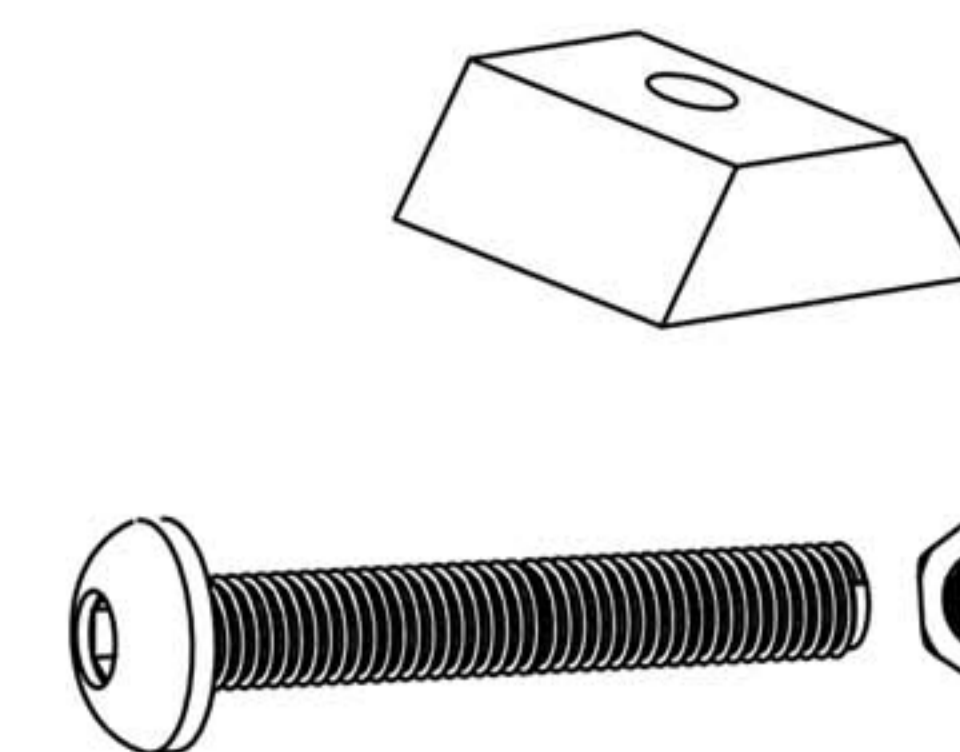
STEP 11

Parts required



O4 4pcs

V4 4pcs

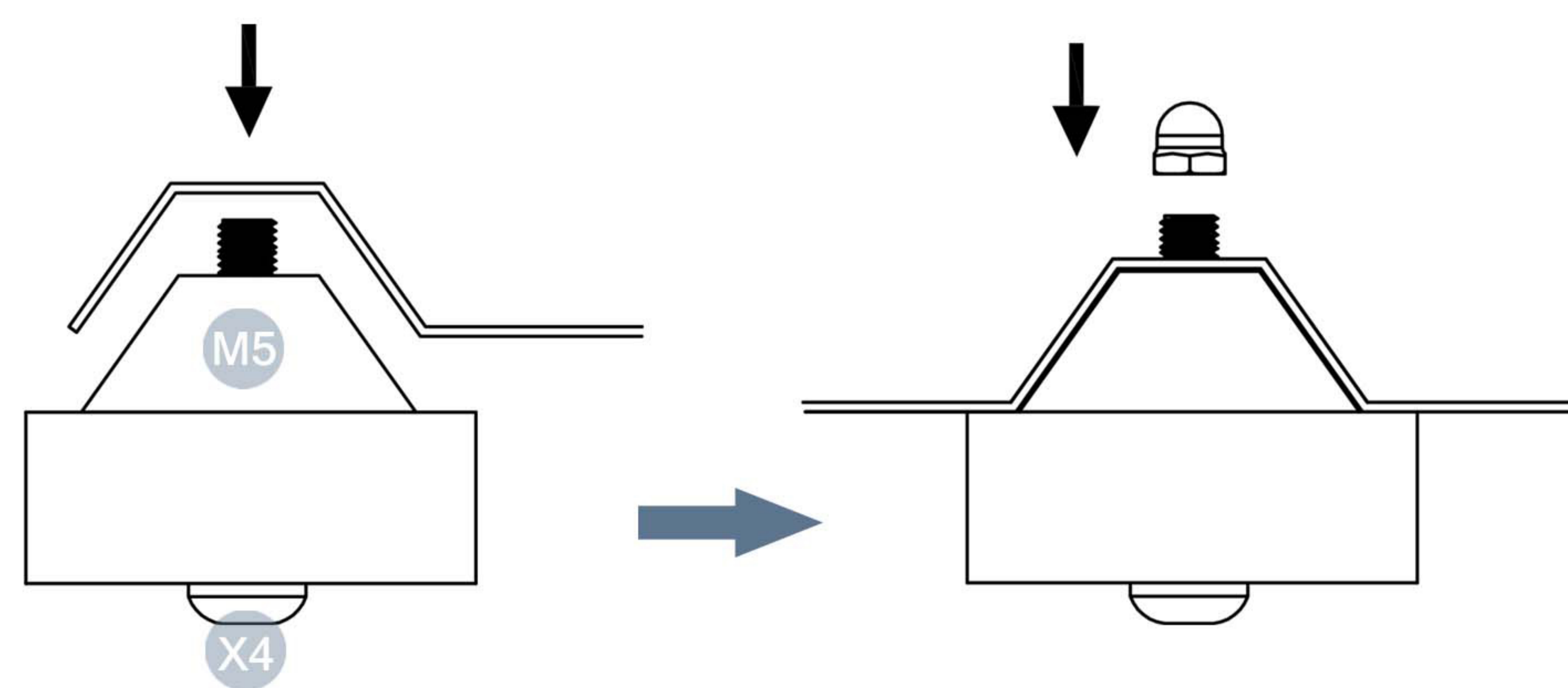
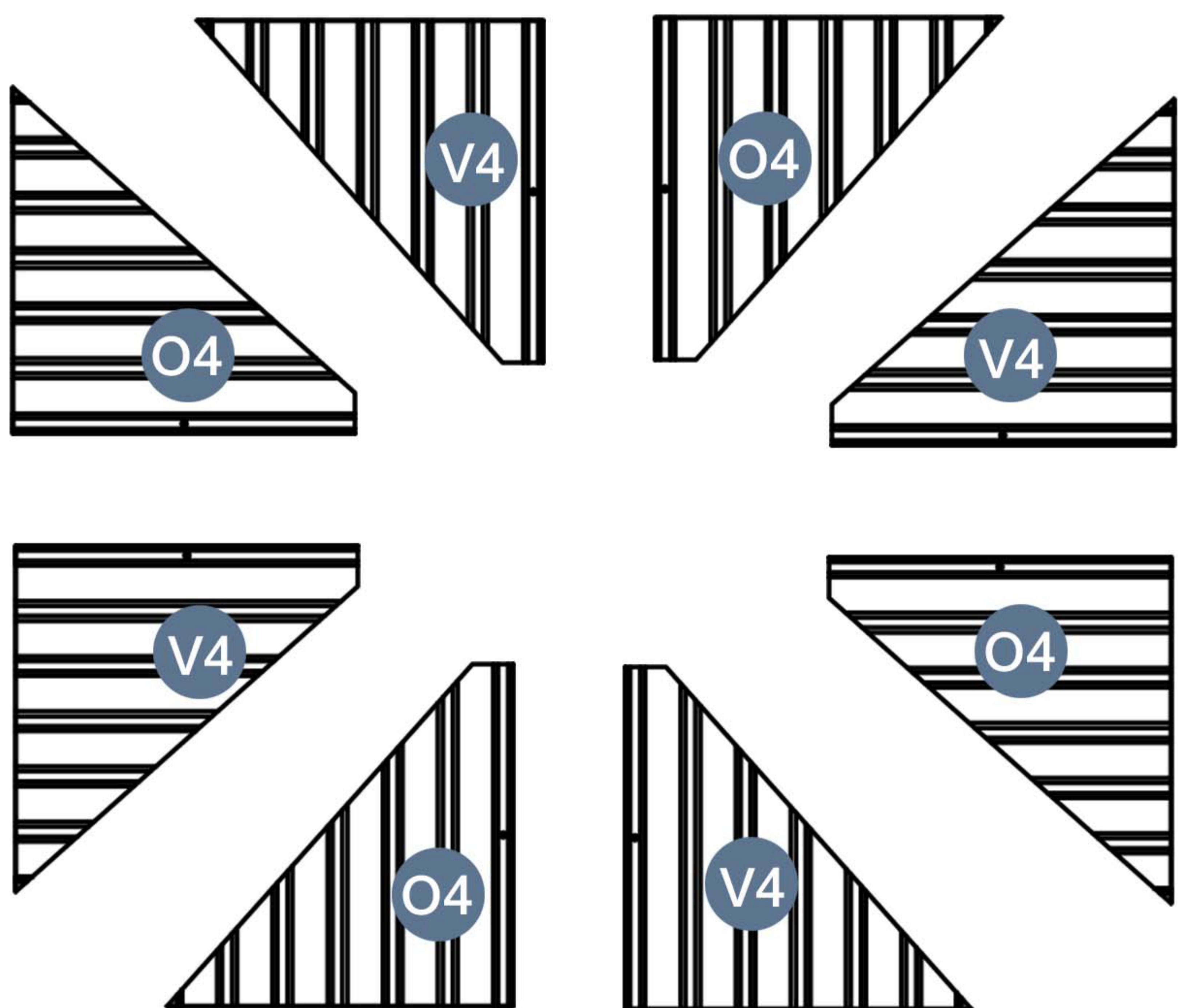


M5 4pcs

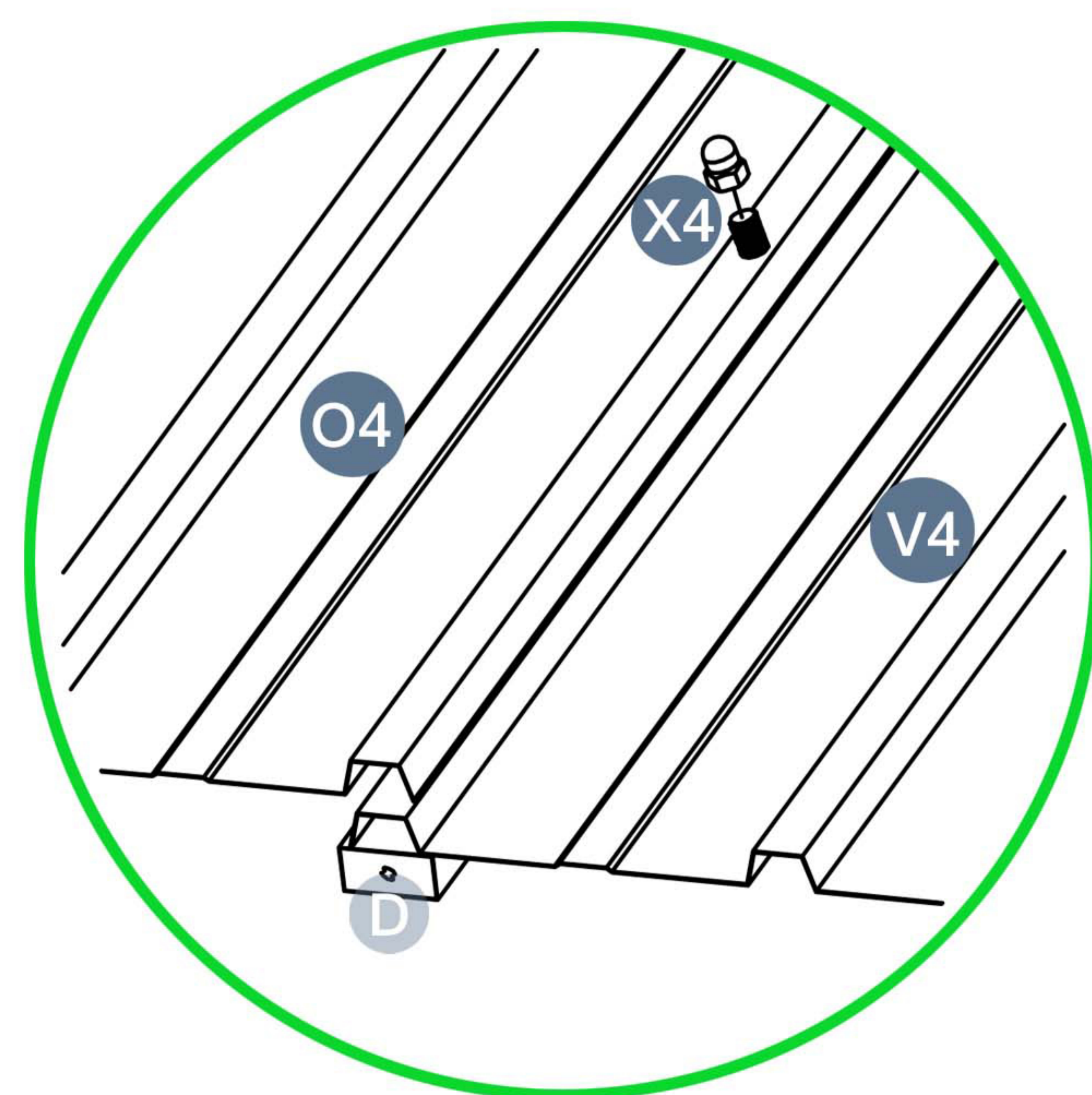
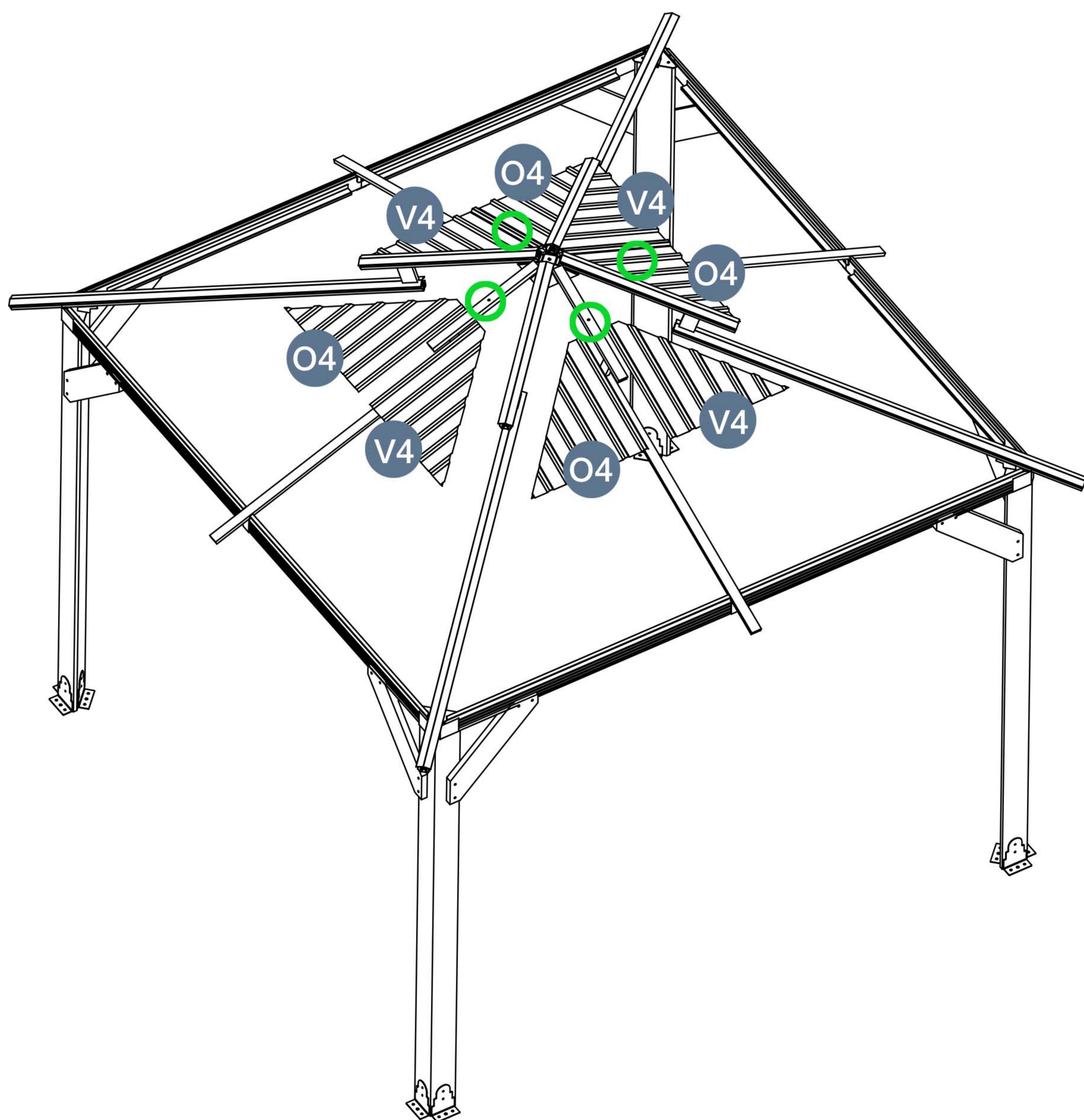
X4 4pcs



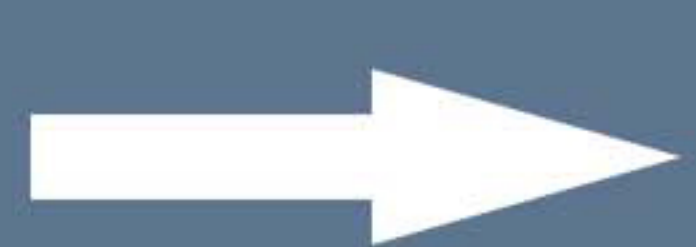
In order to facilitate the installation, it is recommended to leave one side and not install it for the time being. Wait for the installation in step 12 to complete before installing.



• Side view



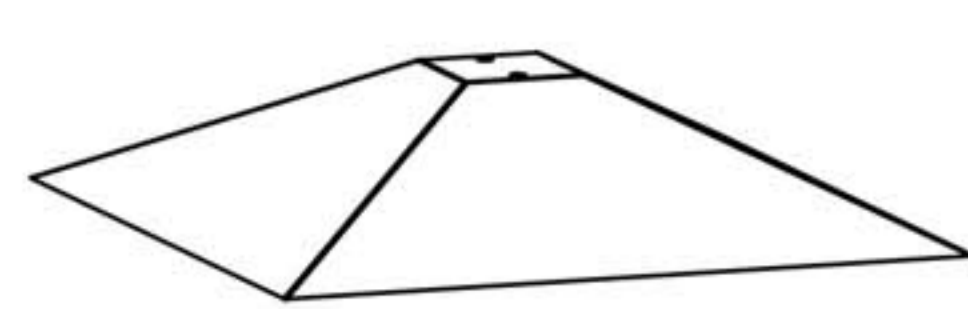
Please take care of the screws and contact the after-sales service if there is any problem with the installation or parts.



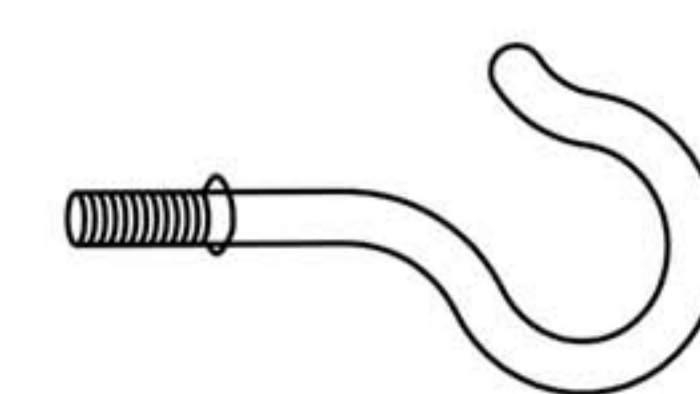
E-mail: cs.helper01@gmail.com

STEP 12

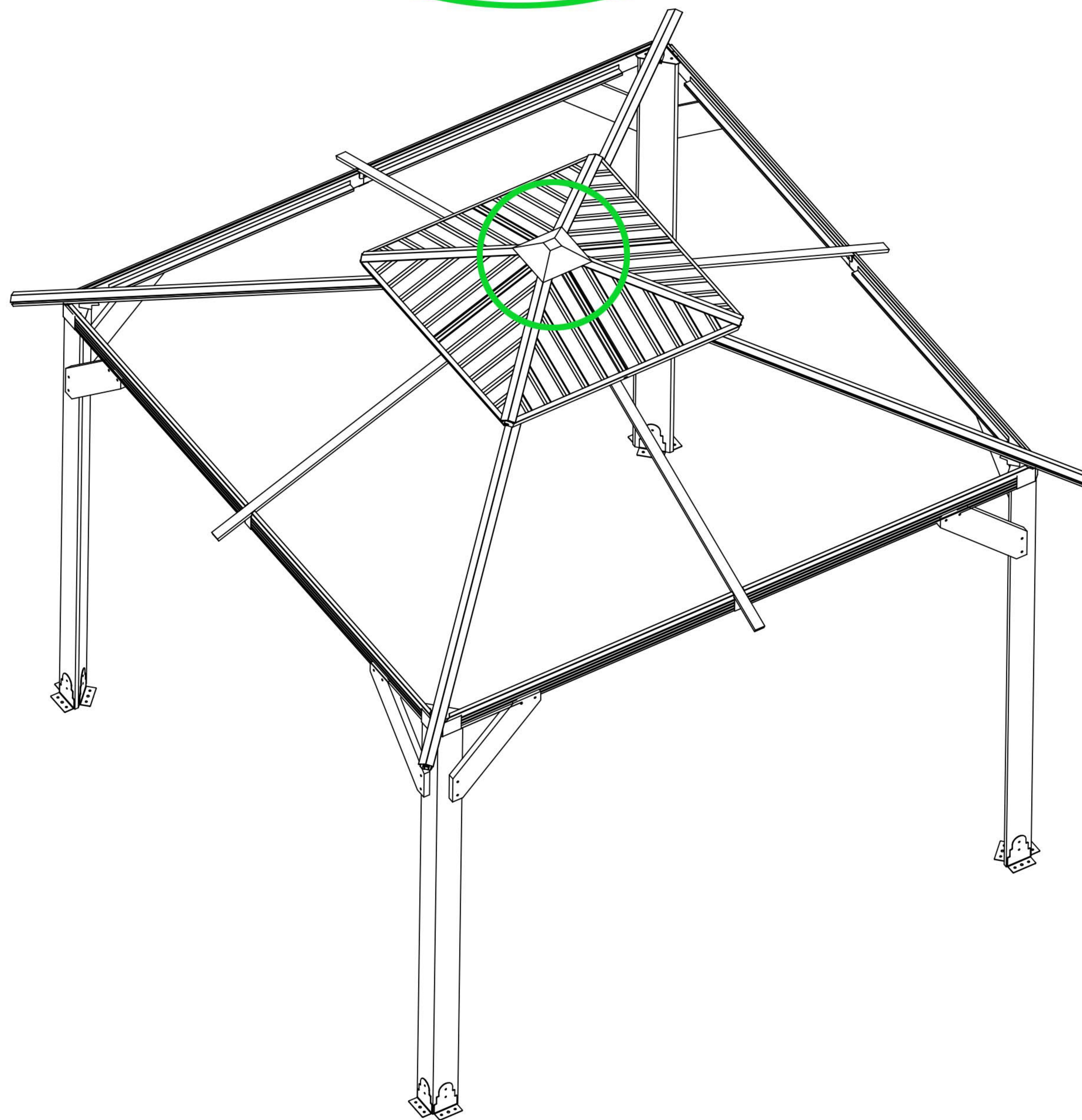
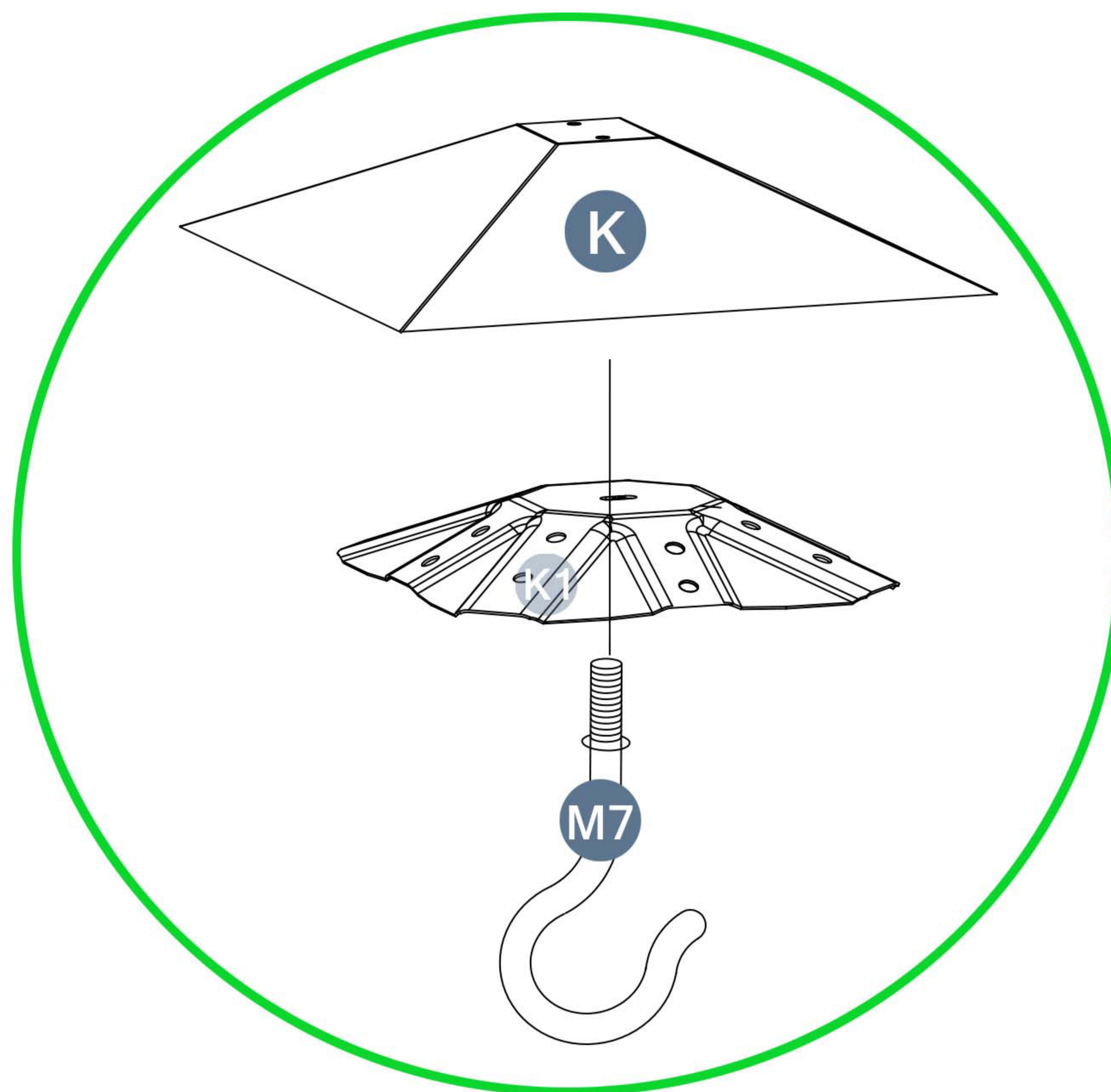
Parts required



K 1pcs



M7 1pcs

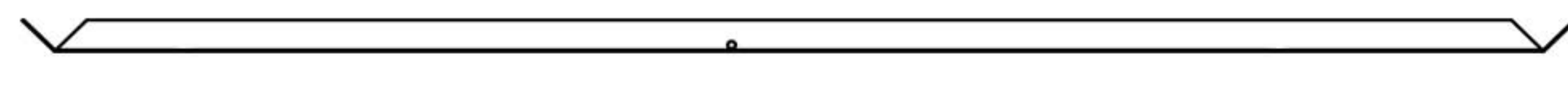


Please take care of the screws and contact the after-sales service if there is any problem with the installation or parts.

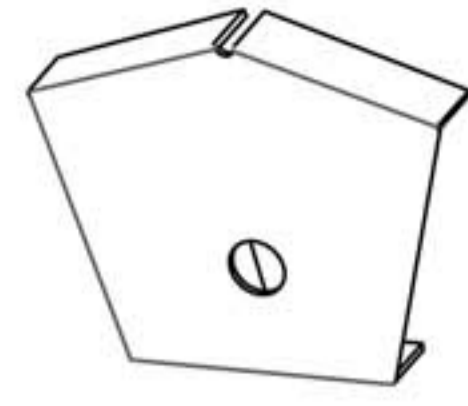
➔ ✉ E-mail: cs.helper01@gmail.com

STEP 13

Parts required



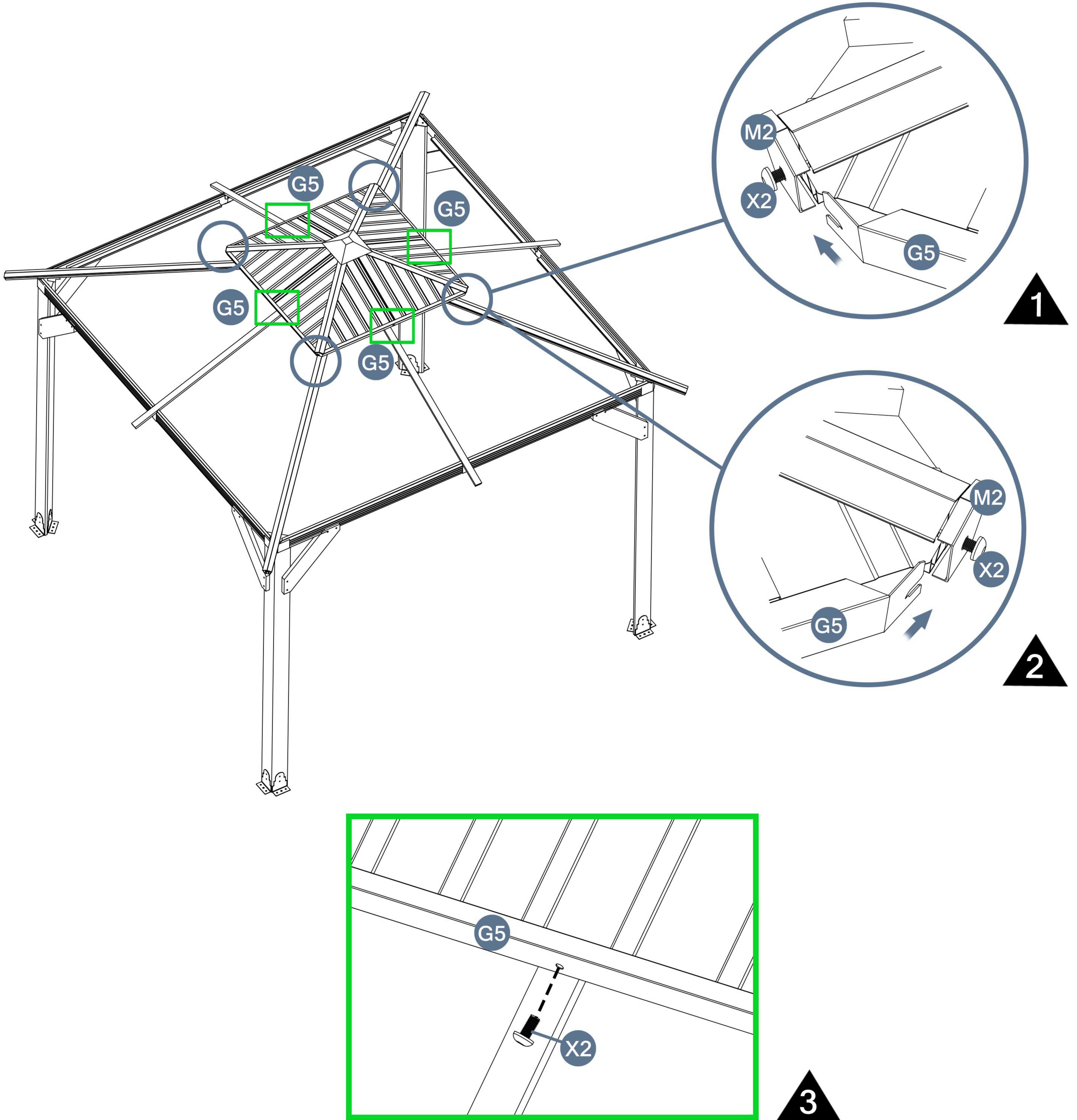
G5 4pcs



M2 4pcs



X2 8pcs

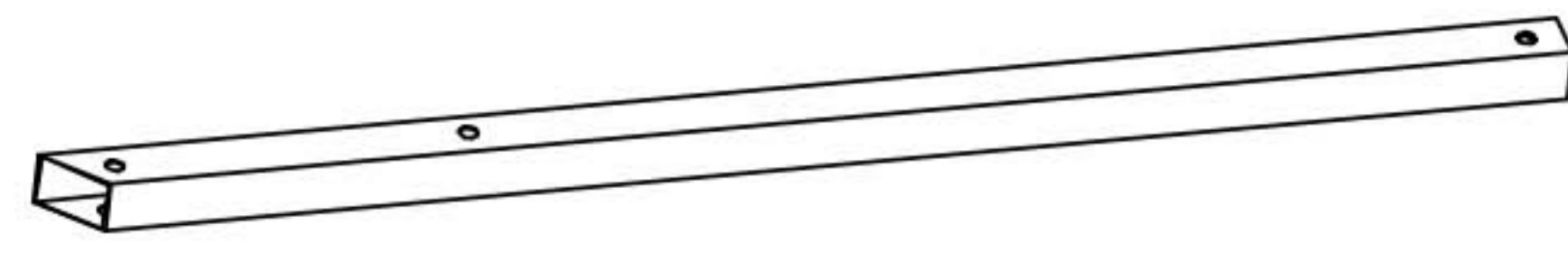


Please take care of the screws and contact the after-sales service if there is any problem with the installation or parts.

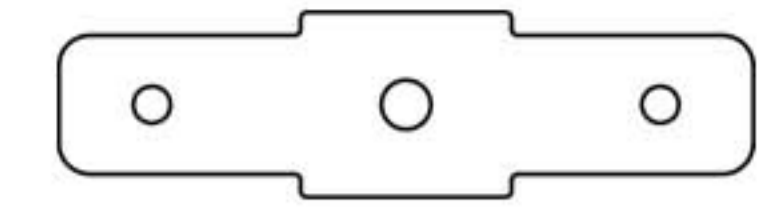


STEP 14

Parts required



H1 8pcs

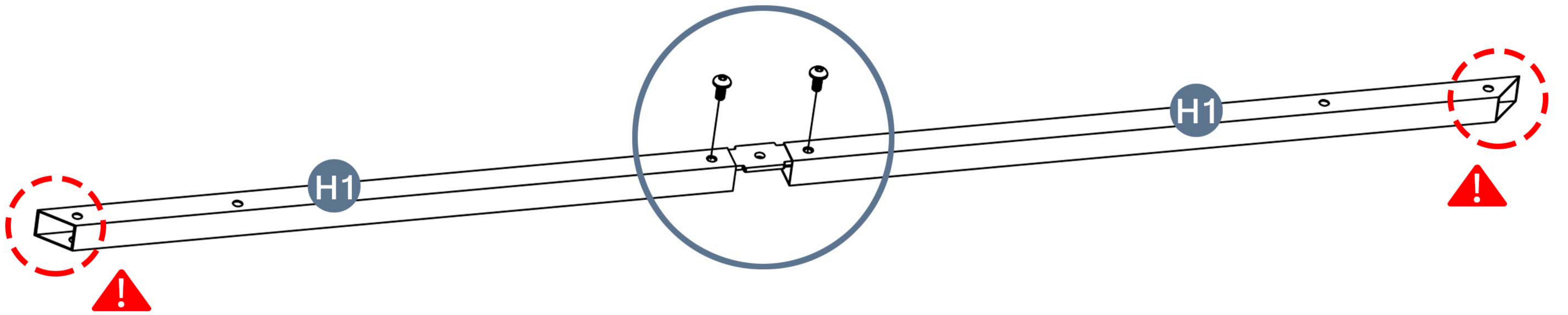


M3 4pcs

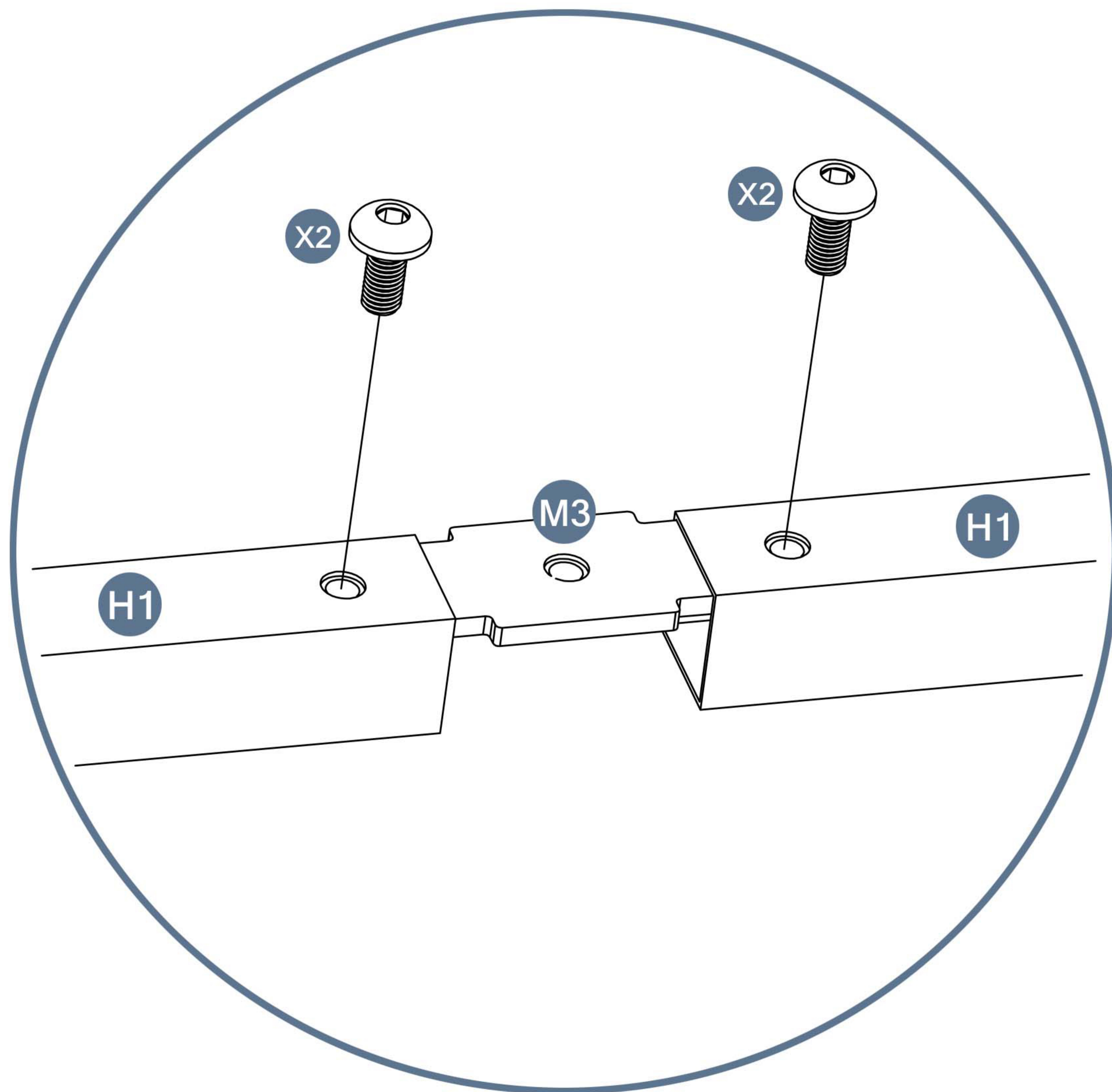


X2 8pcs

⚠ Part H1 should be placed as shown in the picture.



X4

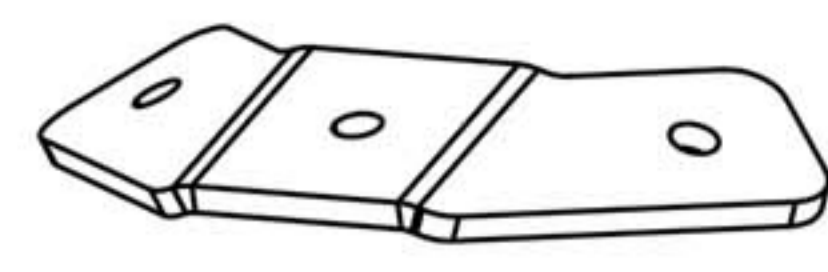


Please take care of the screws and contact the after-sales service if there is any problem with the installation or parts.

➔ ✉ E-mail: cs.helper01@gmail.com

STEP 15

Parts required



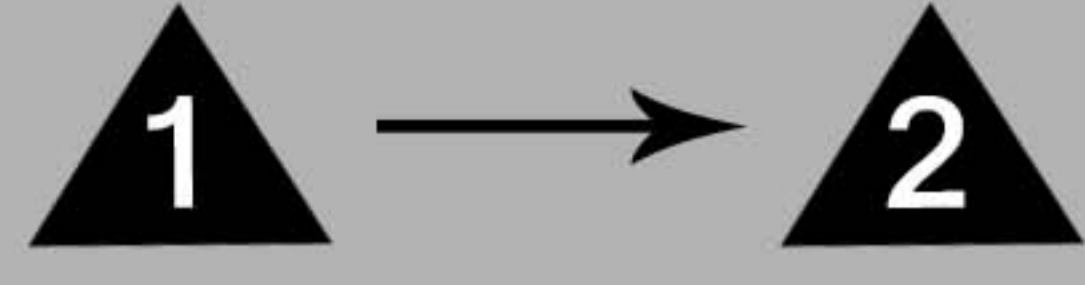
M4 4pcs



X2 12pcs



X9 4pcs

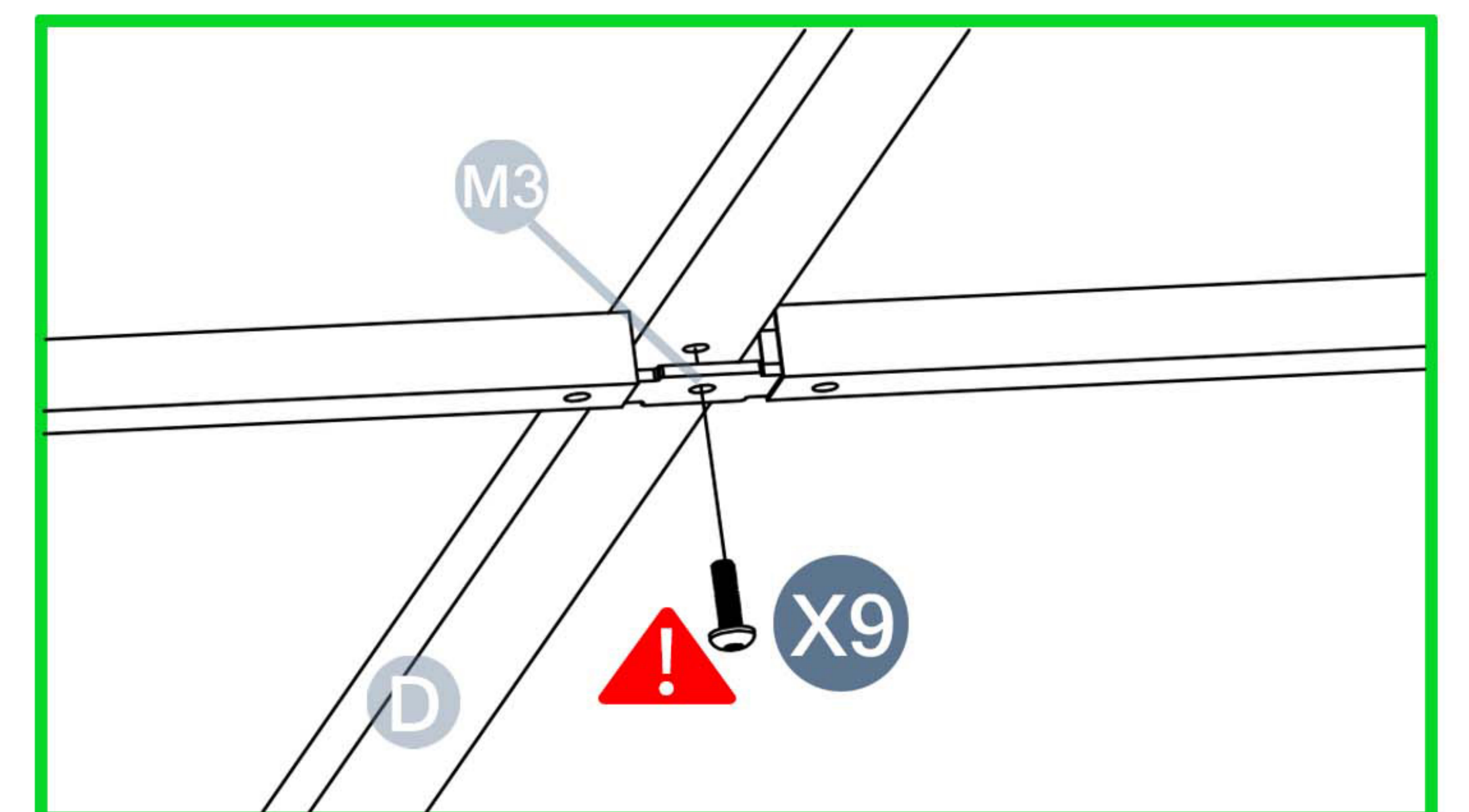
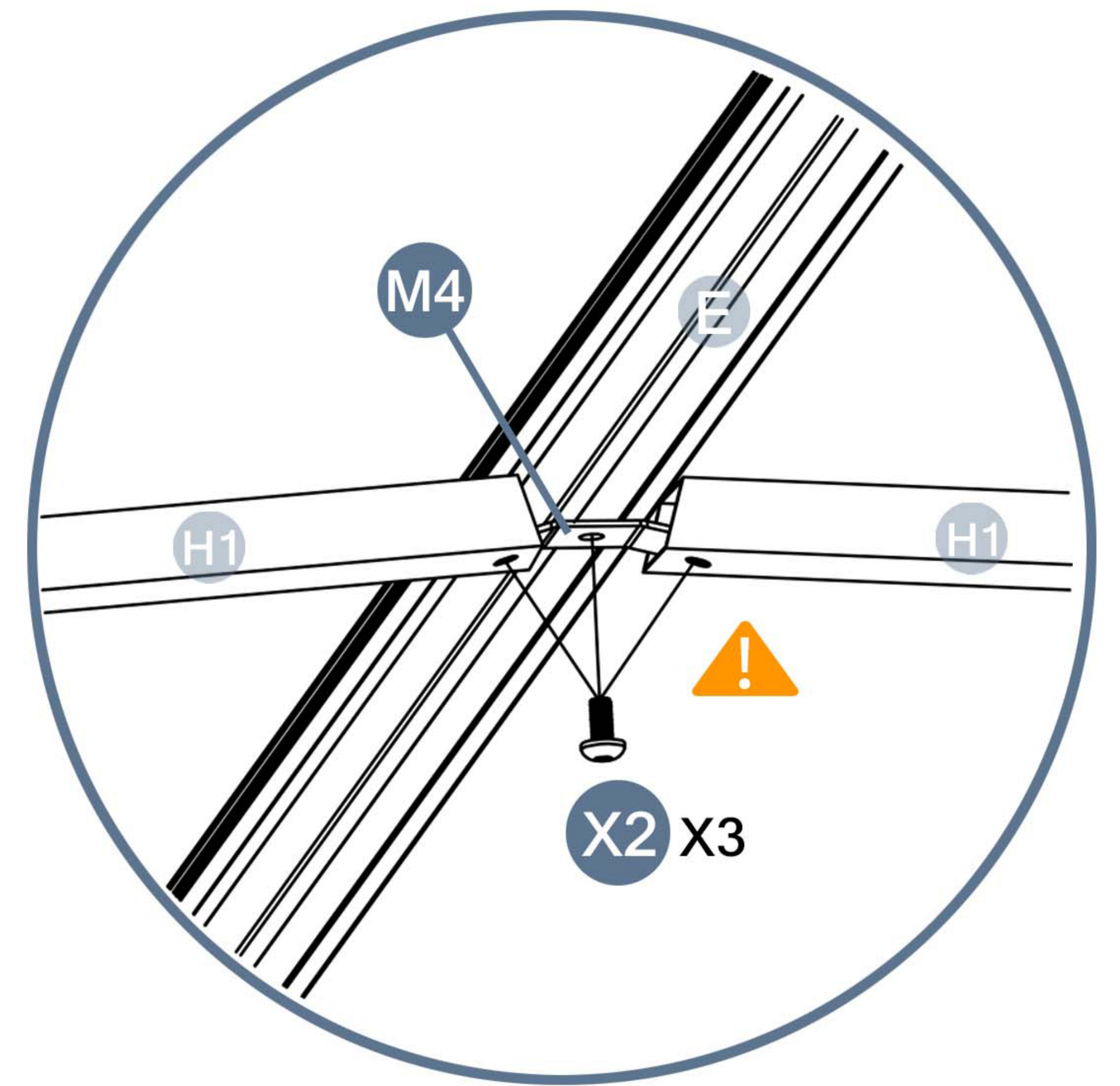
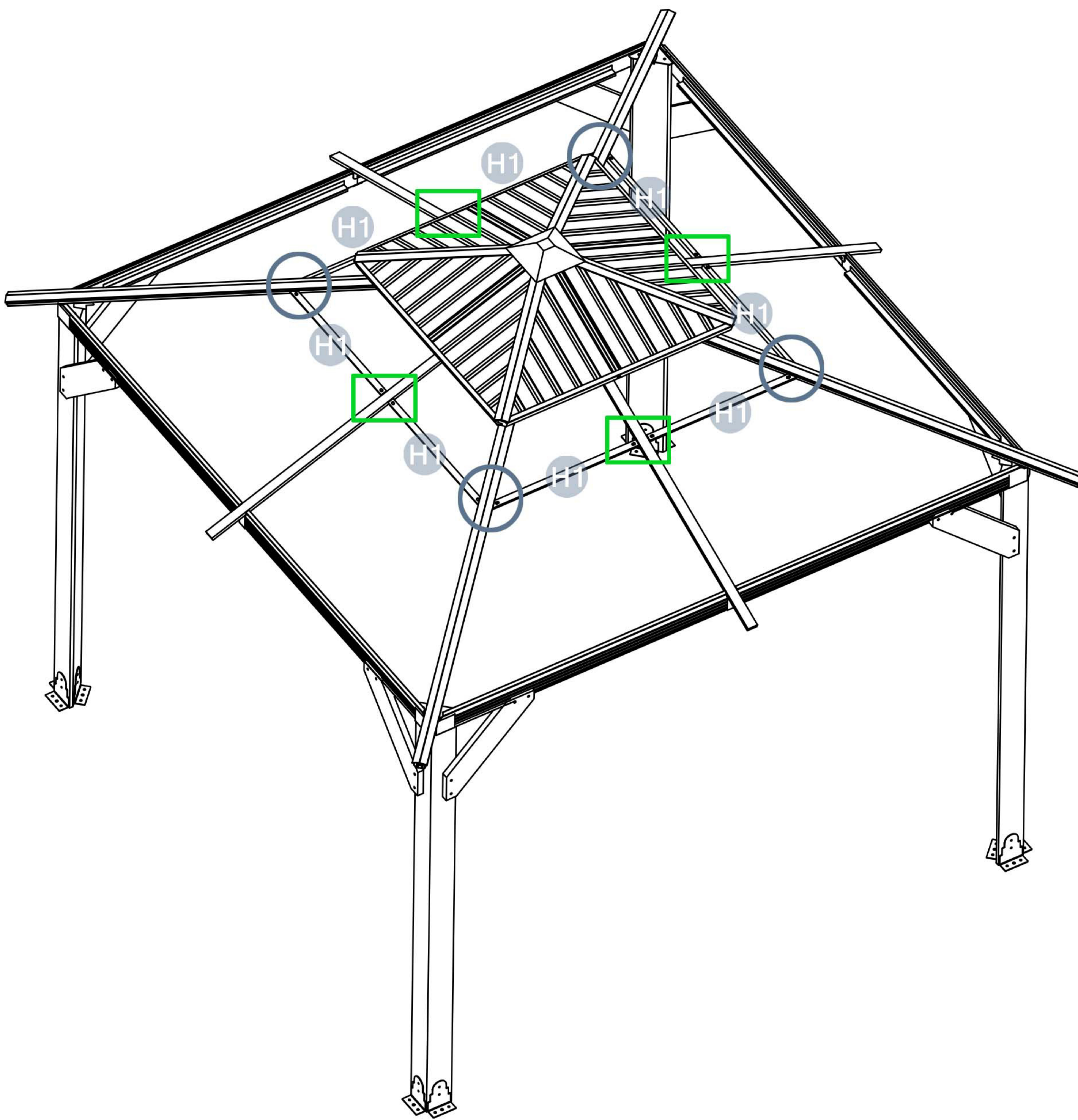


Only X9 screws are used in this step. Please store the X9 nuts. Steps 16 and 17 will be used.

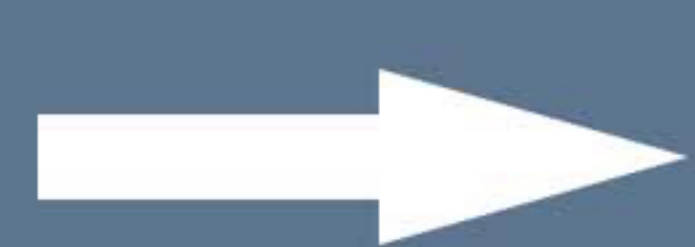
To better align the screws for practical situations, do not fully tighten screws initially.



M4 needs to be inserted into both tubes, aligned with the holes.



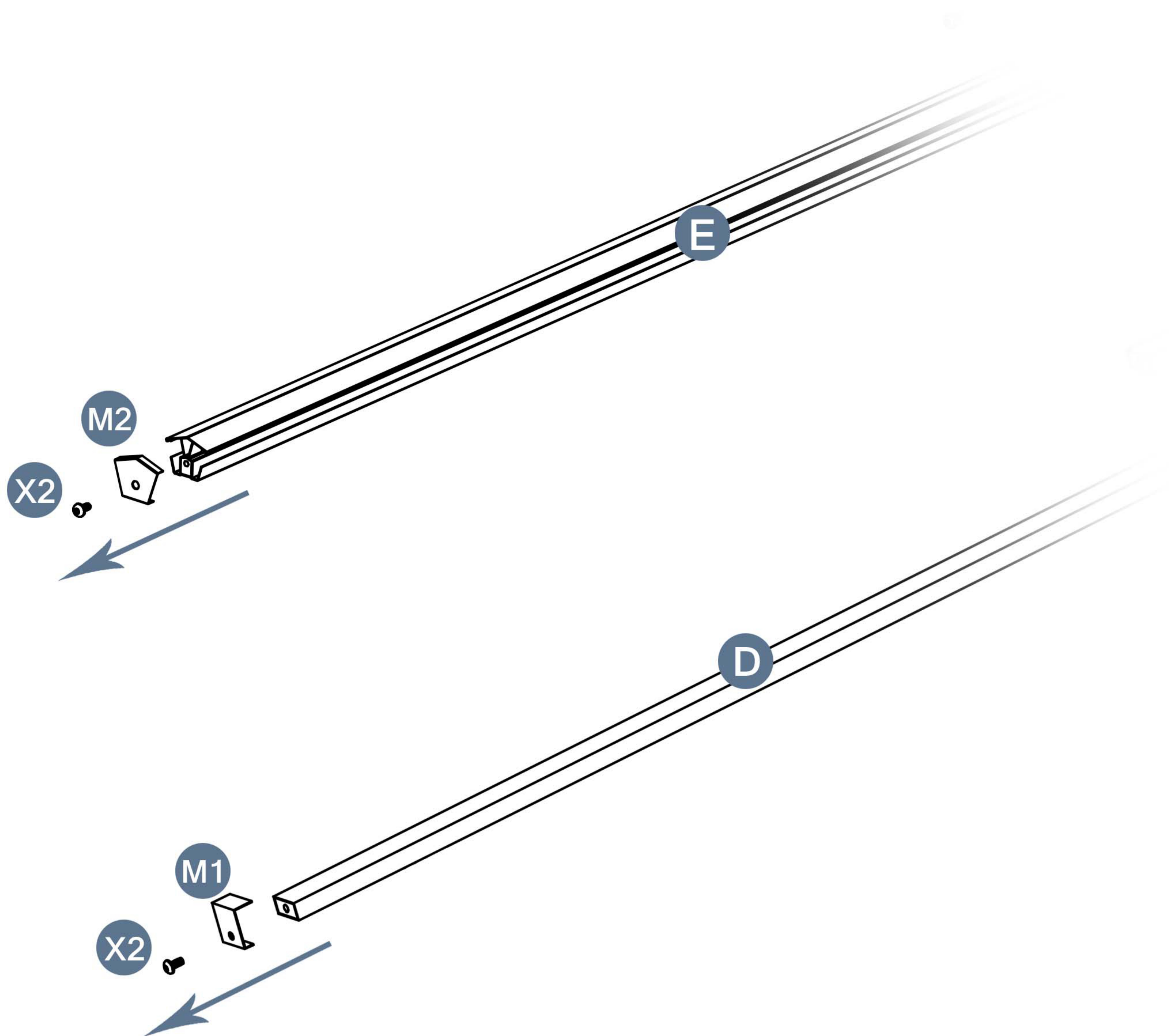
Please take care of the screws and contact the after-sales service if there is any problem with the installation or parts.



E-mail: cs.helper01@gmail.com

To prevent the loss of M2 and M1
we mounted the M2 and M1 on top of the E and D ahead of time

Before installing step 16, please remove the 4 M2's
and 4 M1's from the part E and D. (Reinstall them during step 18) .



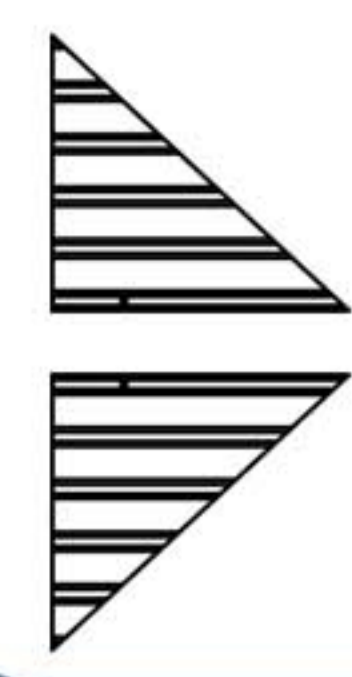
Please take care of the screws and contact the after-sales service if there is any problem with the installation or parts.



E-mail: cs.helper01@gmail.com

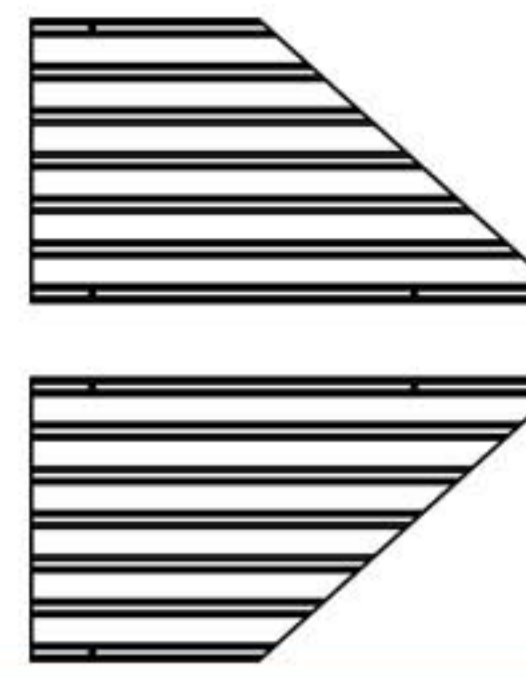
STEP 16

Parts required



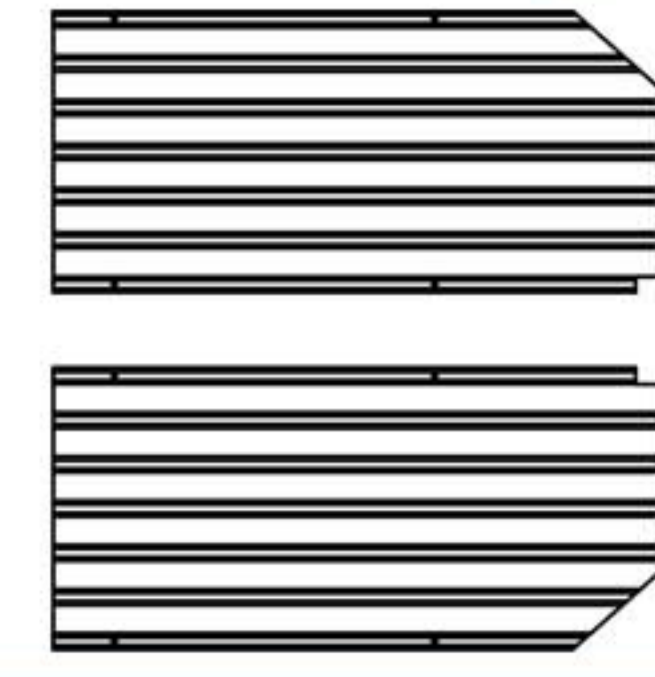
O1 2pcs

V1 2pcs



O2 2pcs

V2 2pcs



O3 2pcs

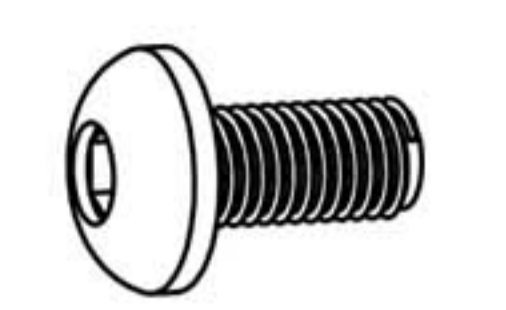
V3 2pcs



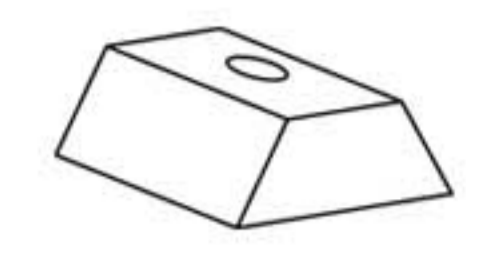
X9 4pcs



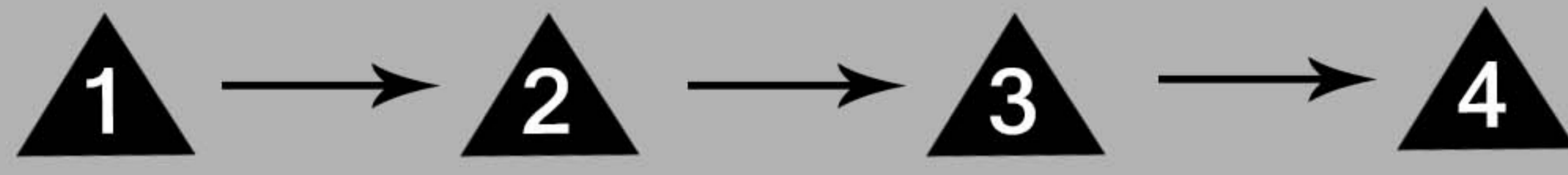
X6 8pcs



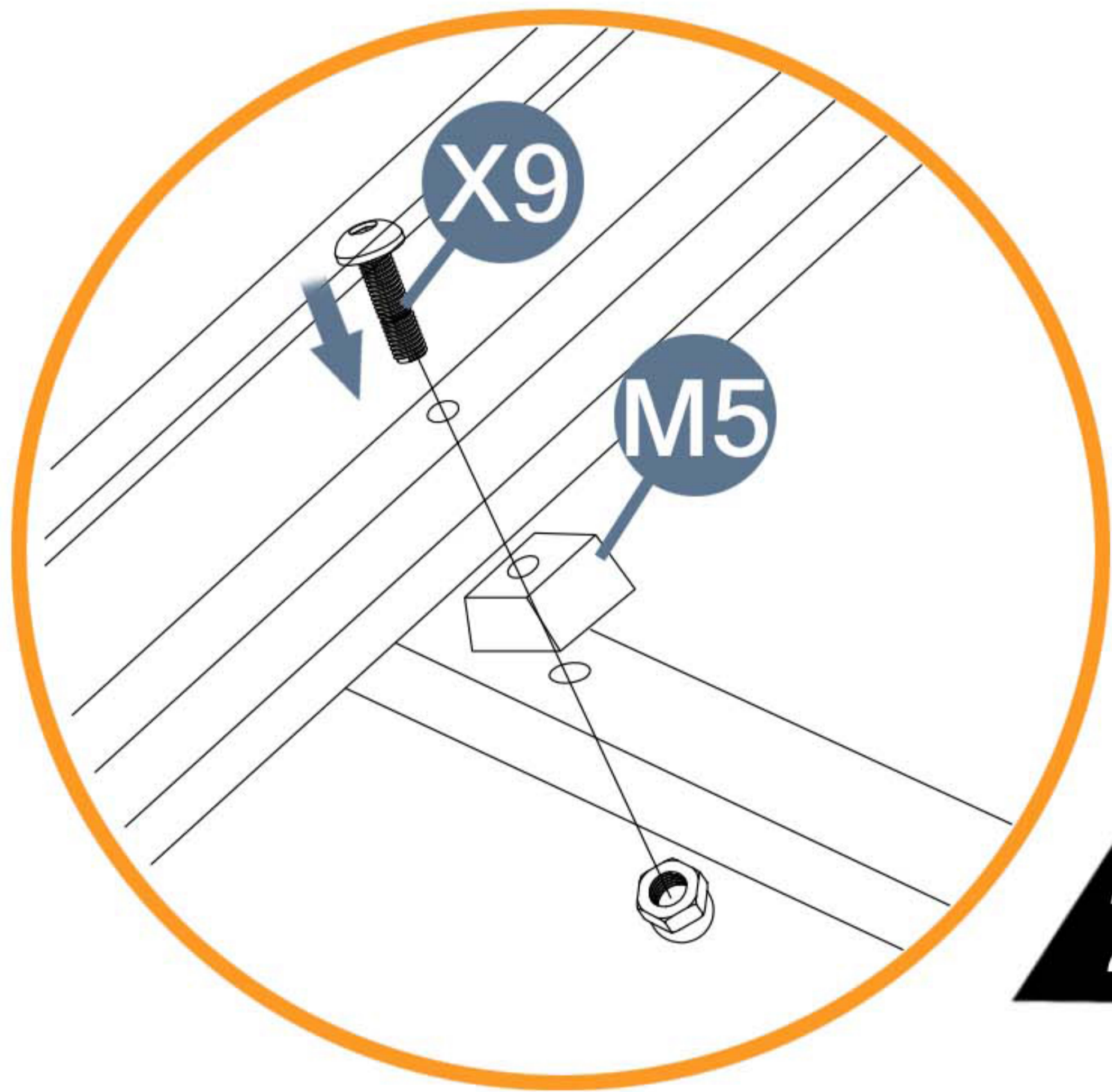
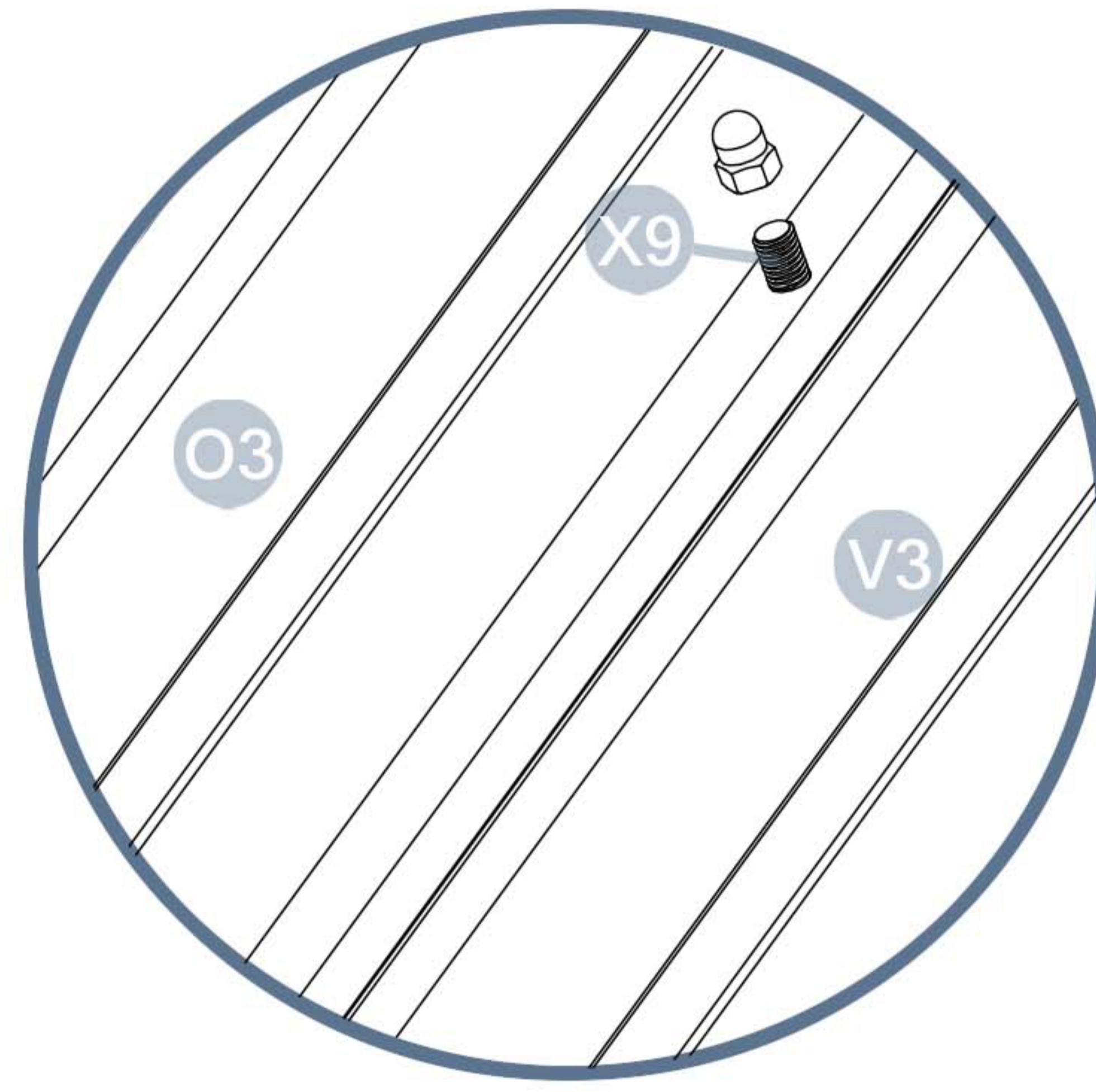
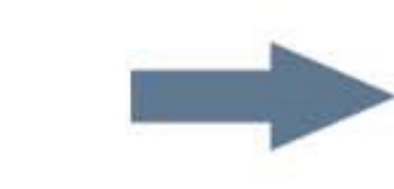
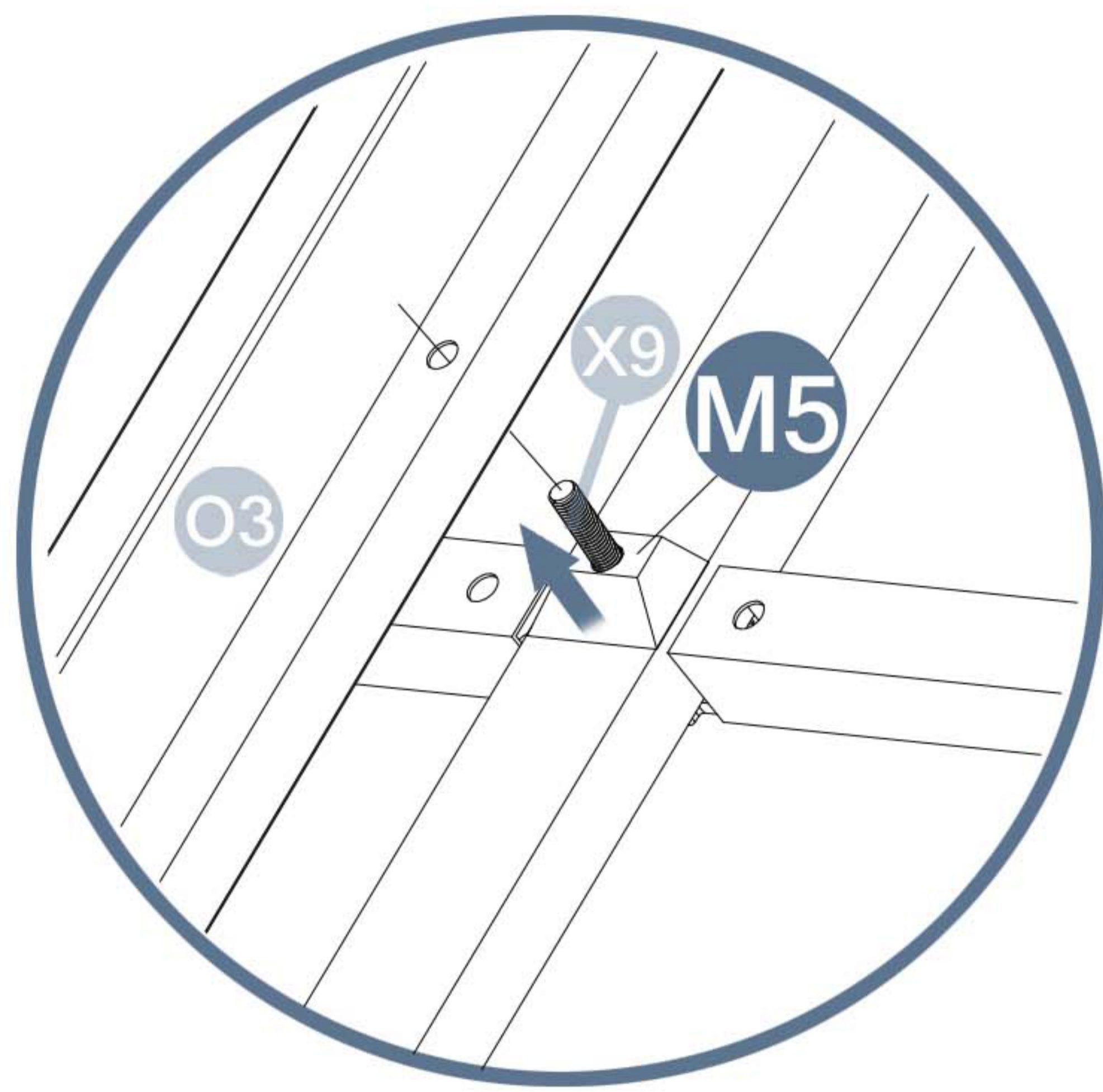
X3 2pcs



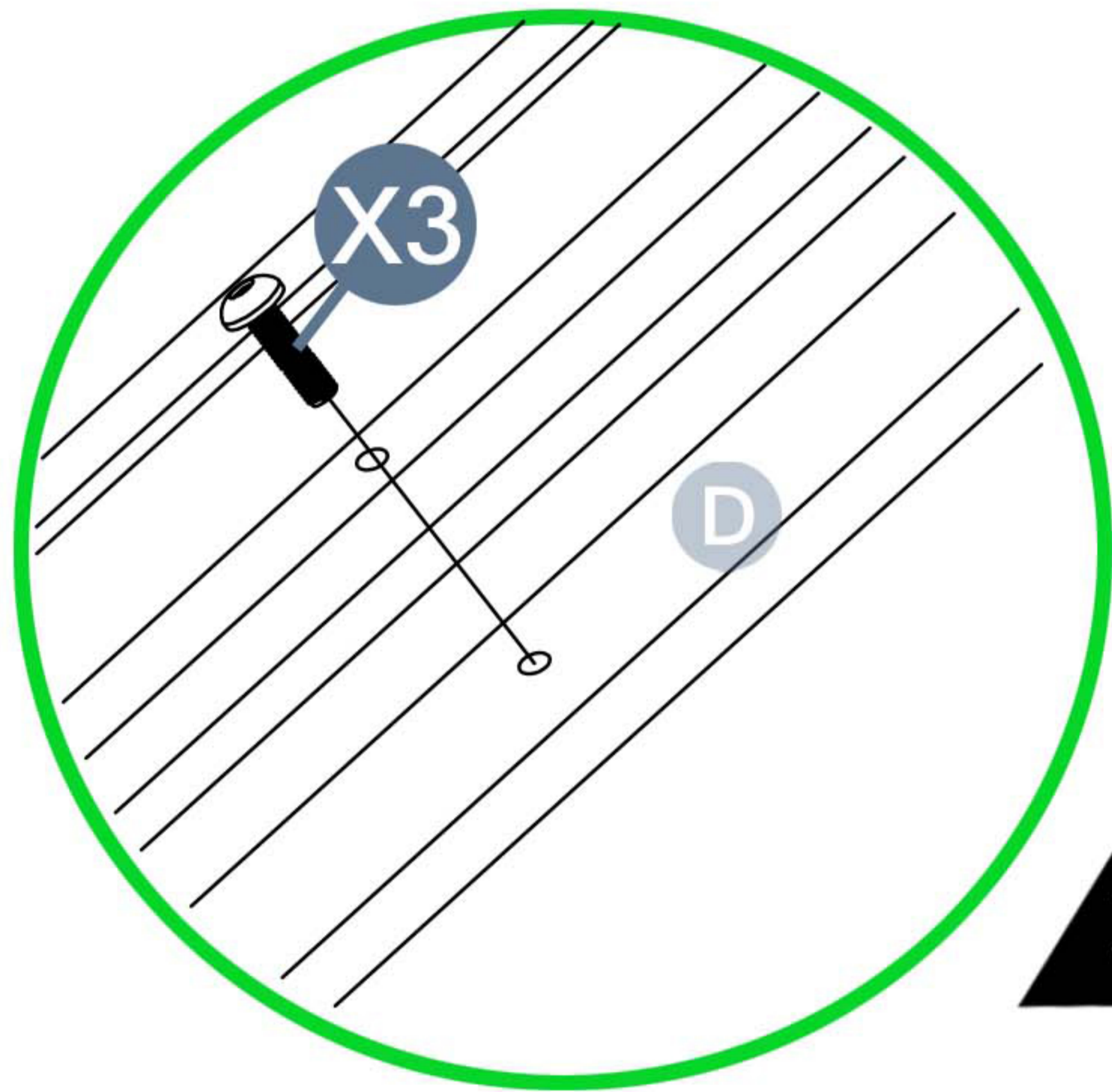
M5 14pcs



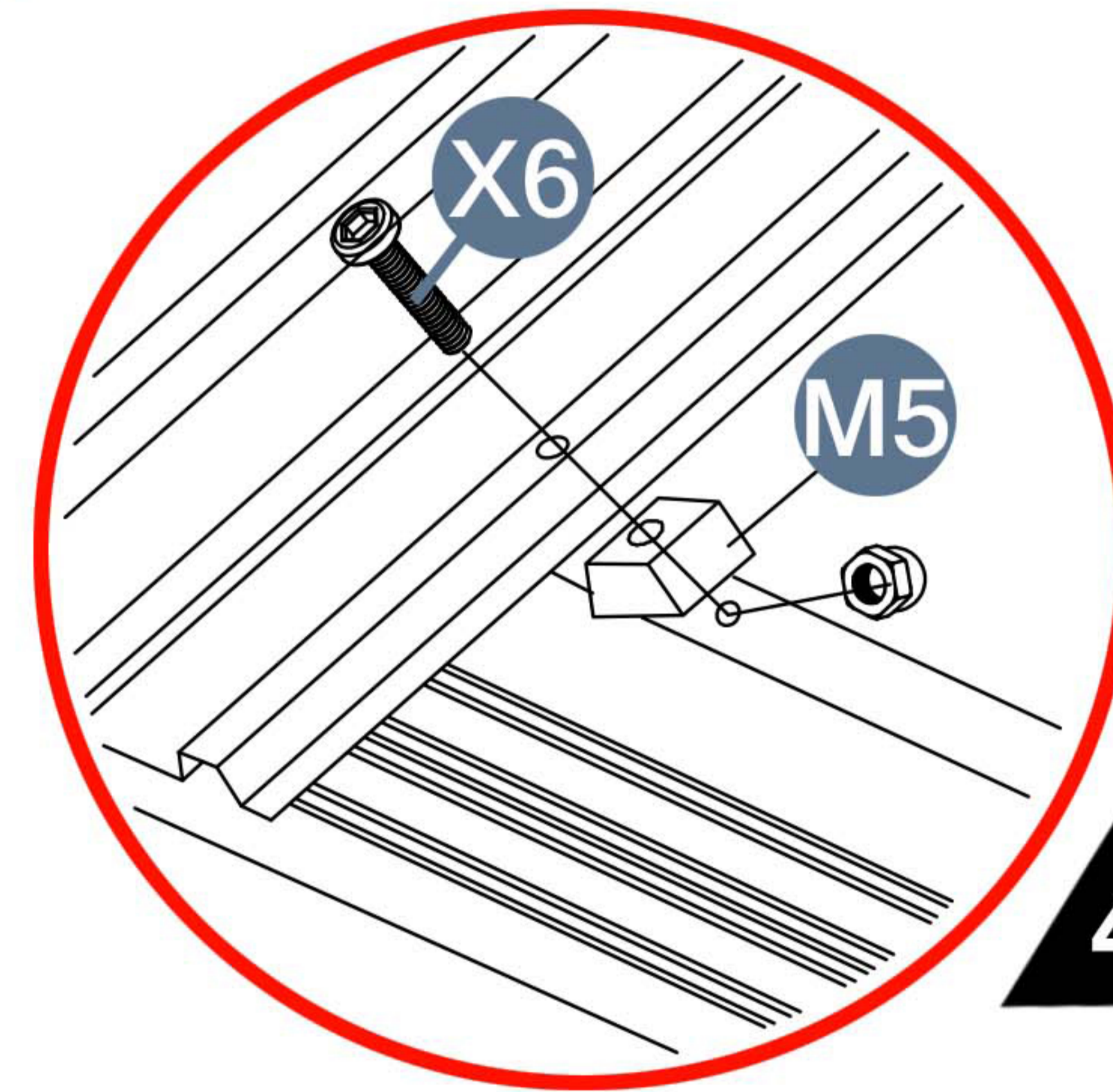
Pay attention to the direction of screw installation



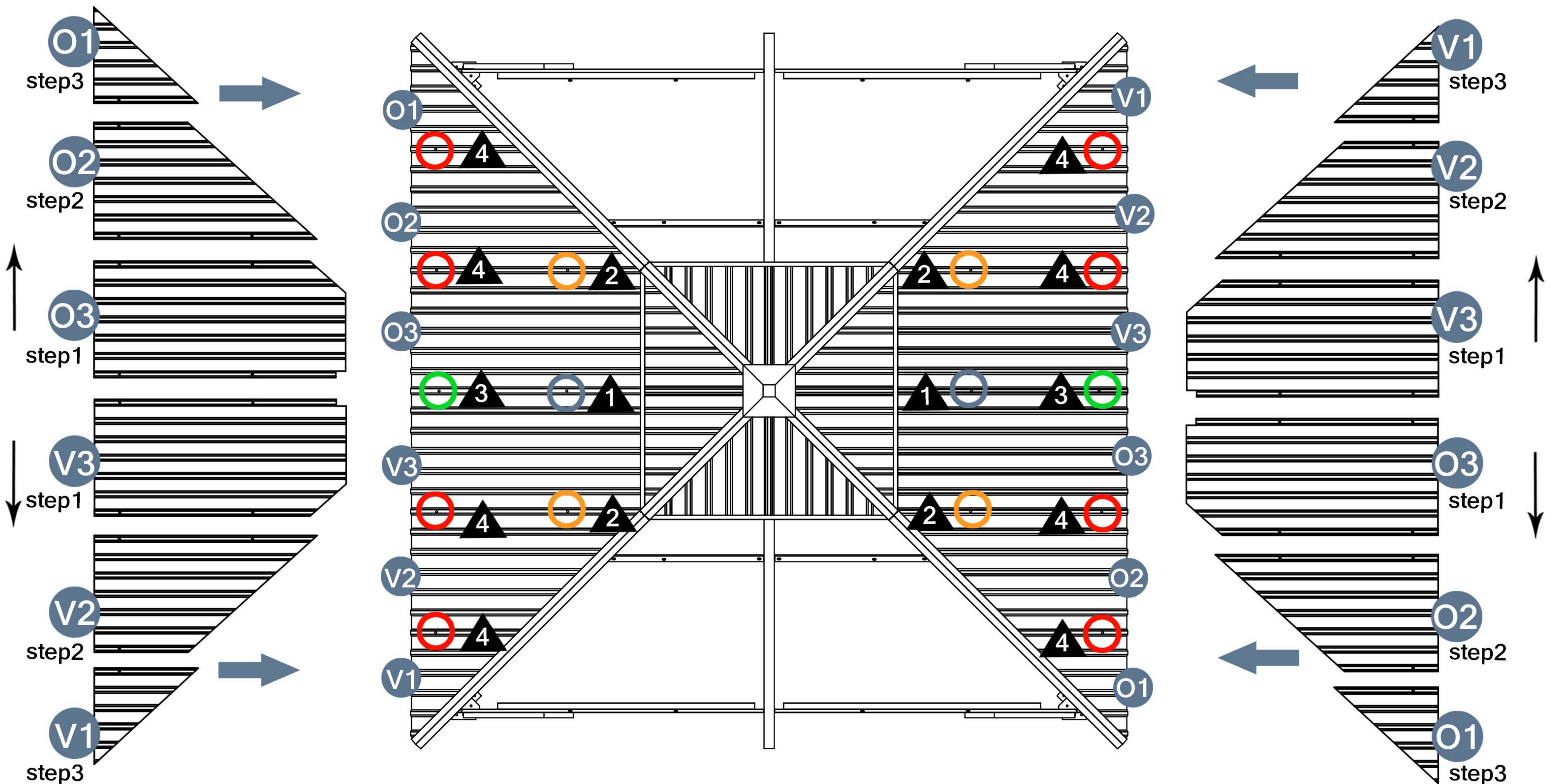
2



3



4



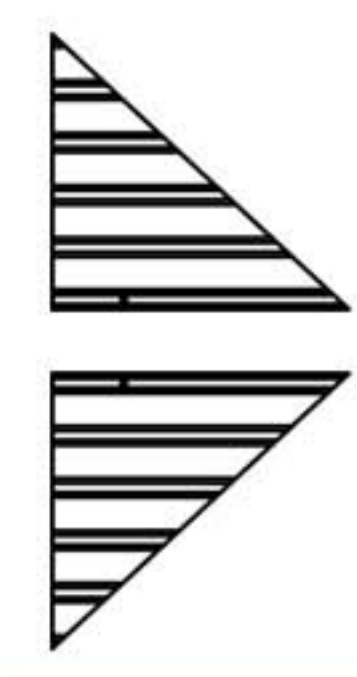
Please take care of the screws and contact the after-sales service if there is any problem with the installation or parts.



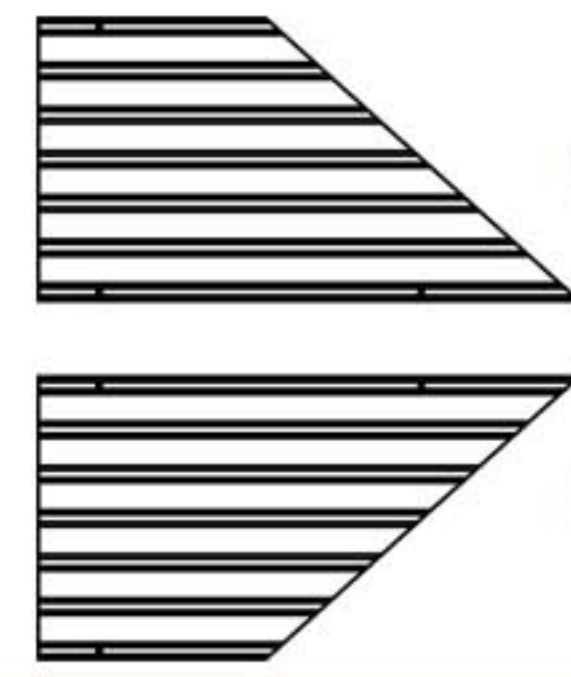
E-mail: cs.helper01@gmail.com

STEP 17

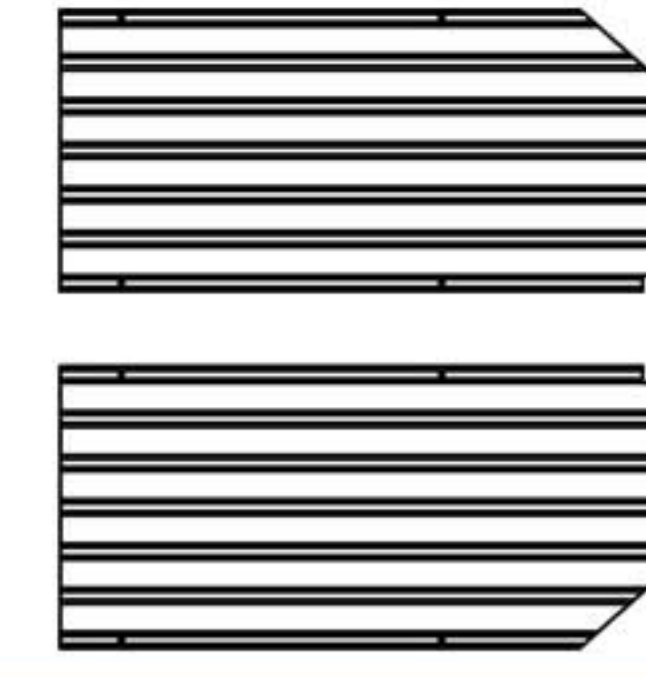
Parts required



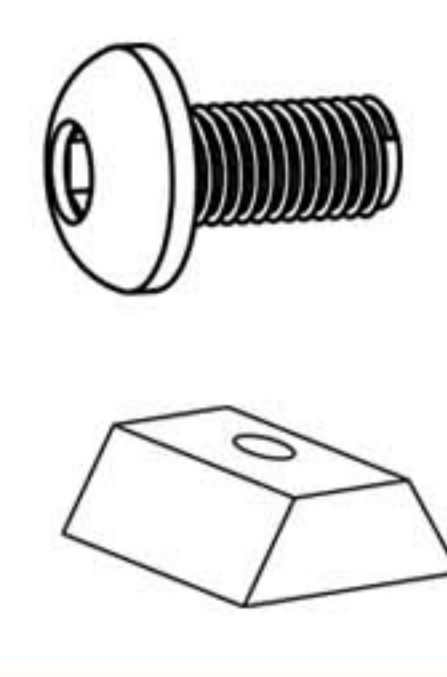
O1 2pcs



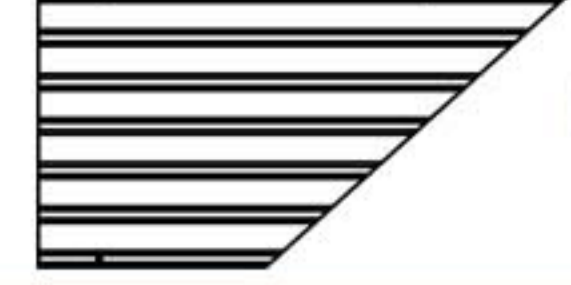
O2 2pcs



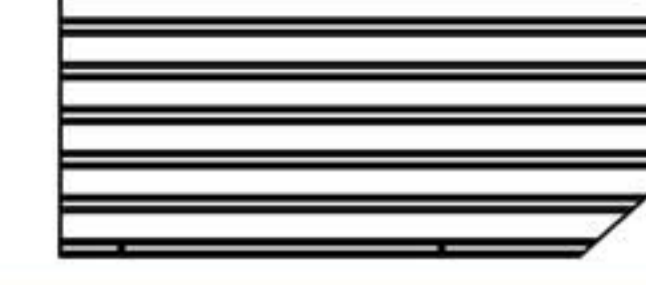
O3 2pcs



V1 2pcs



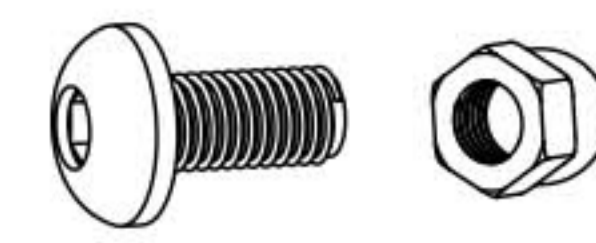
V2 2pcs



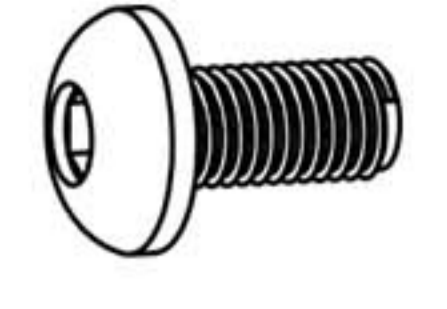
V3 2pcs



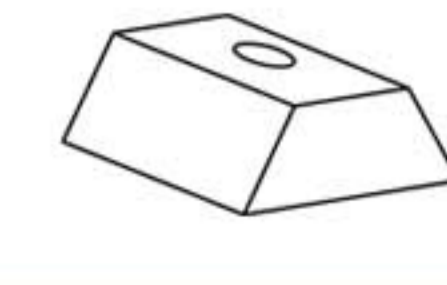
X9 4pcs



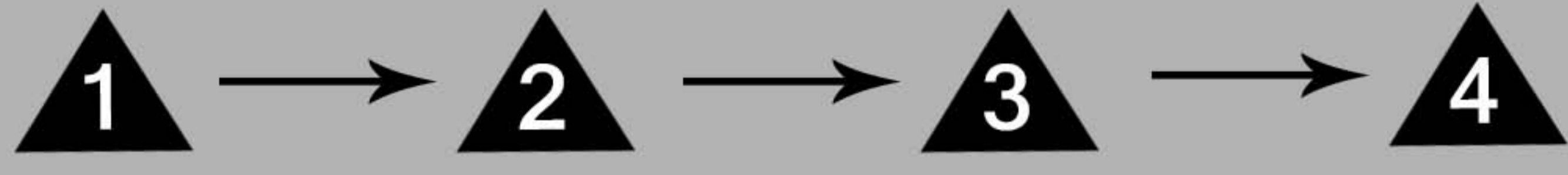
X6 8pcs



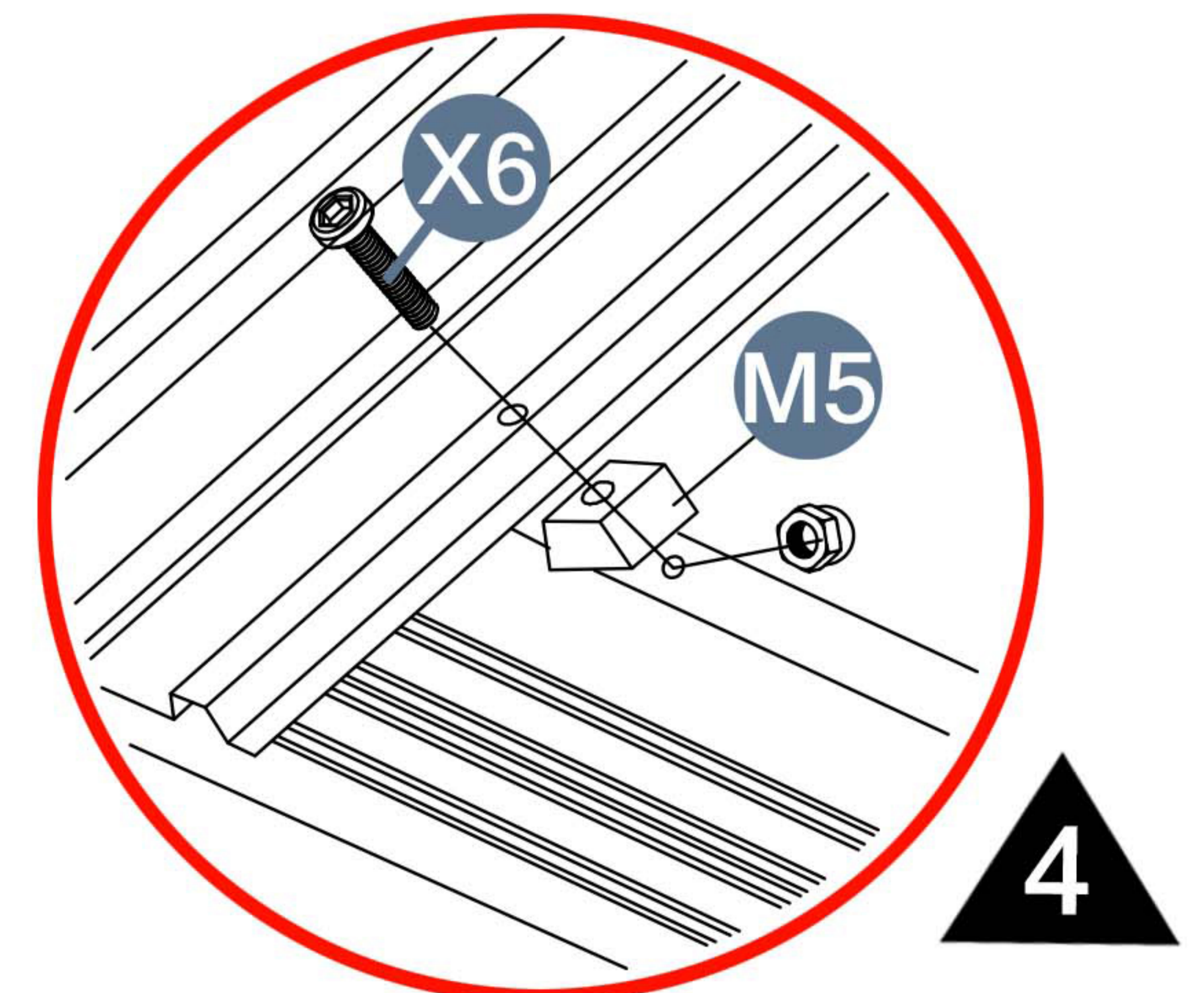
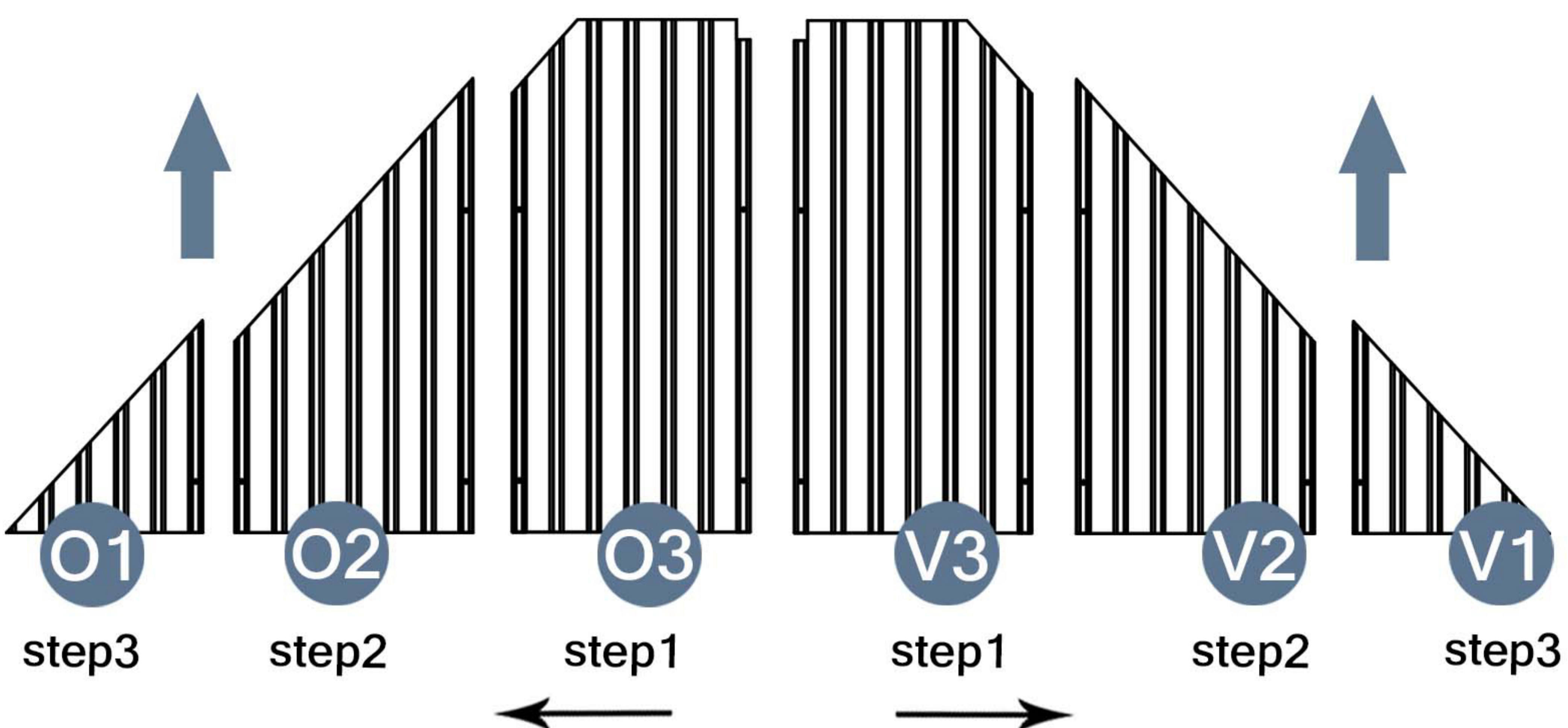
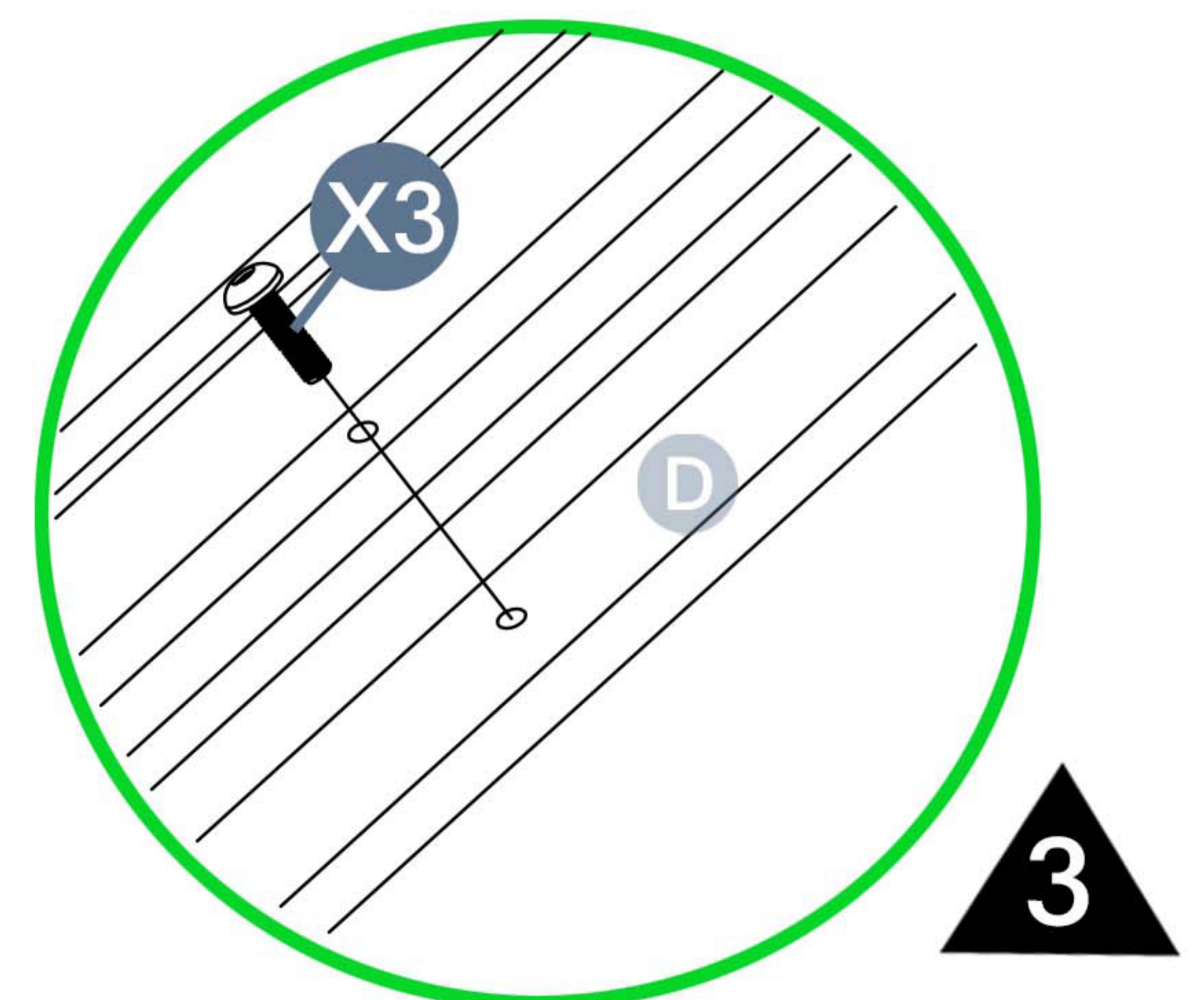
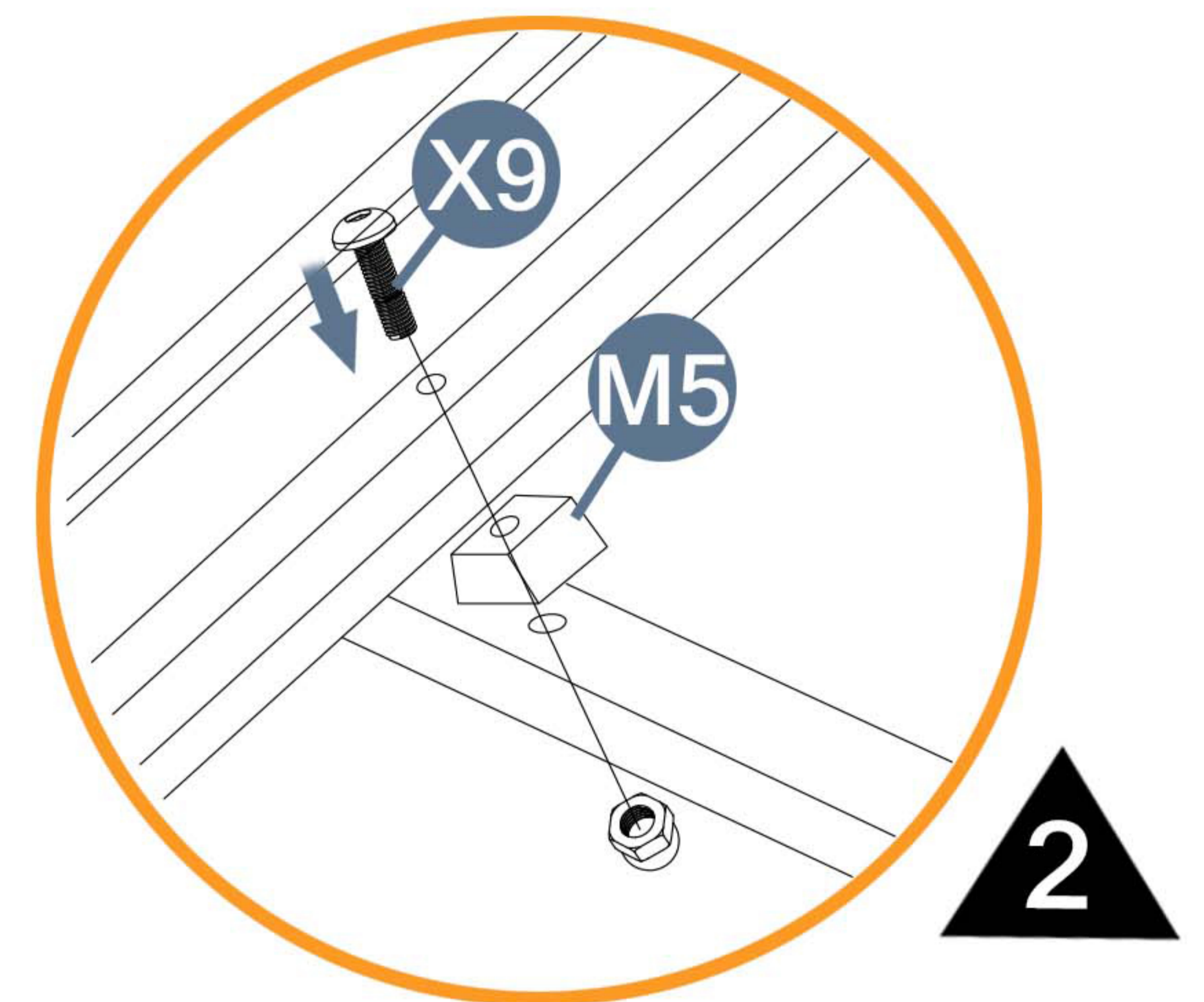
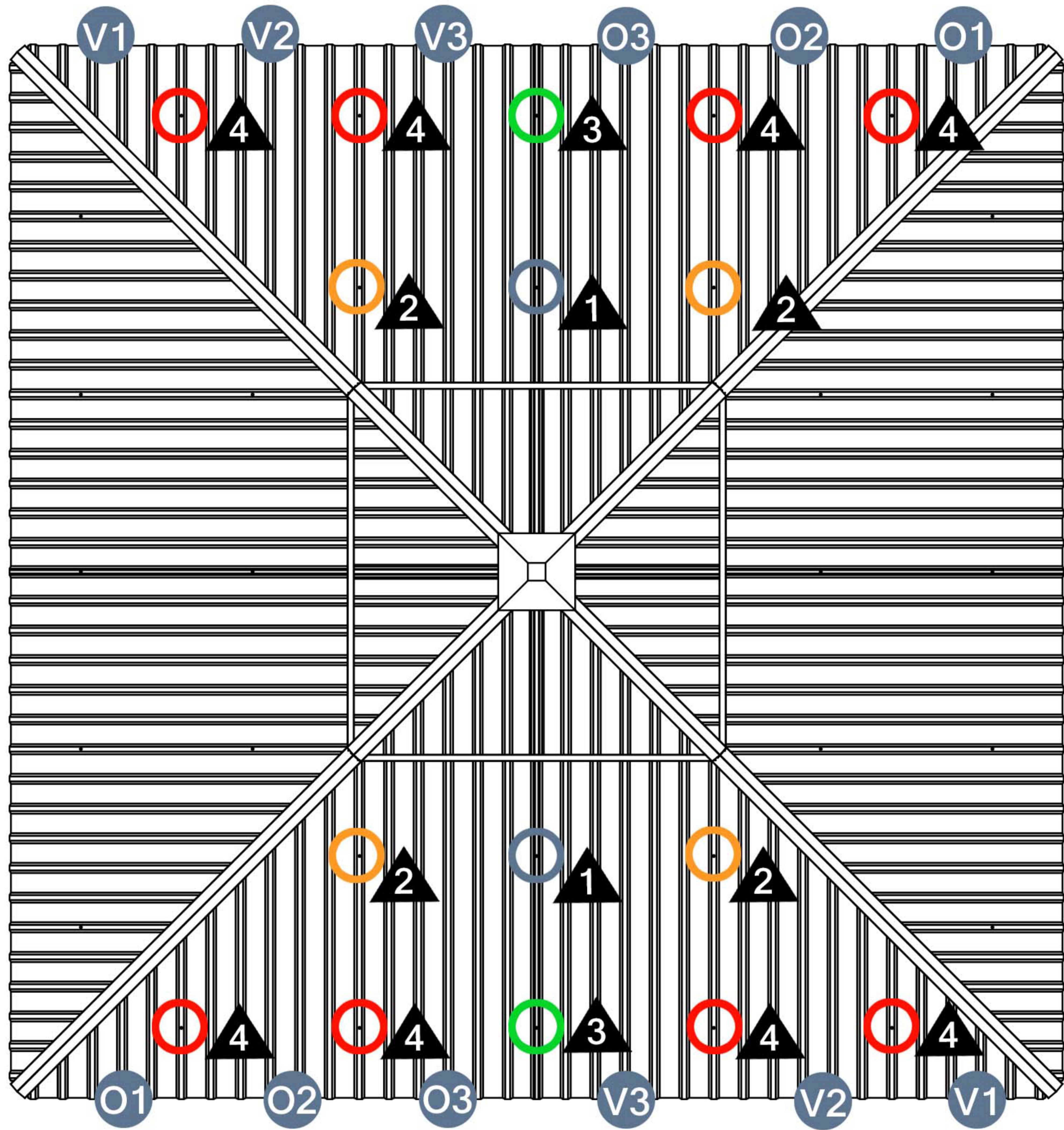
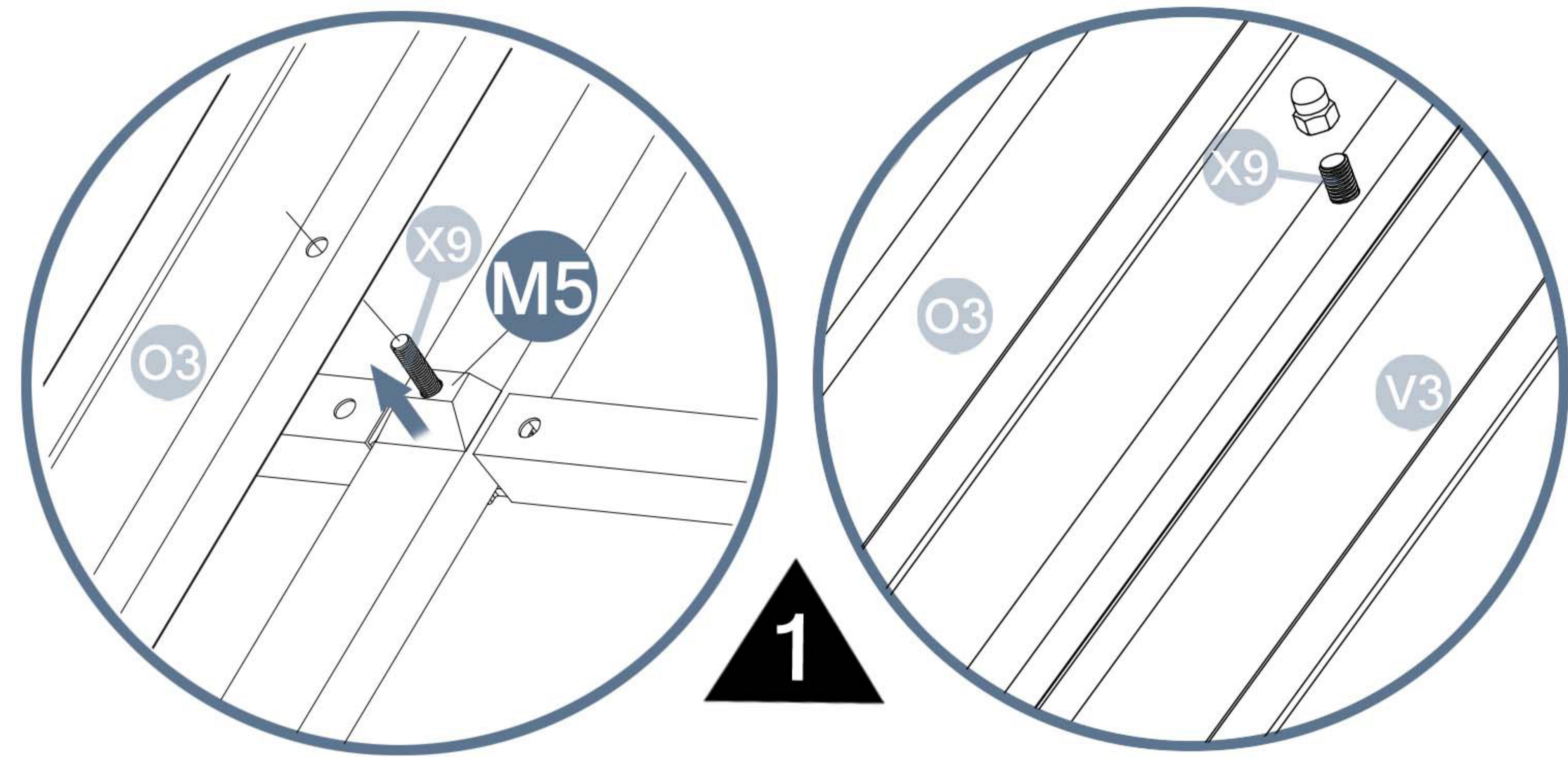
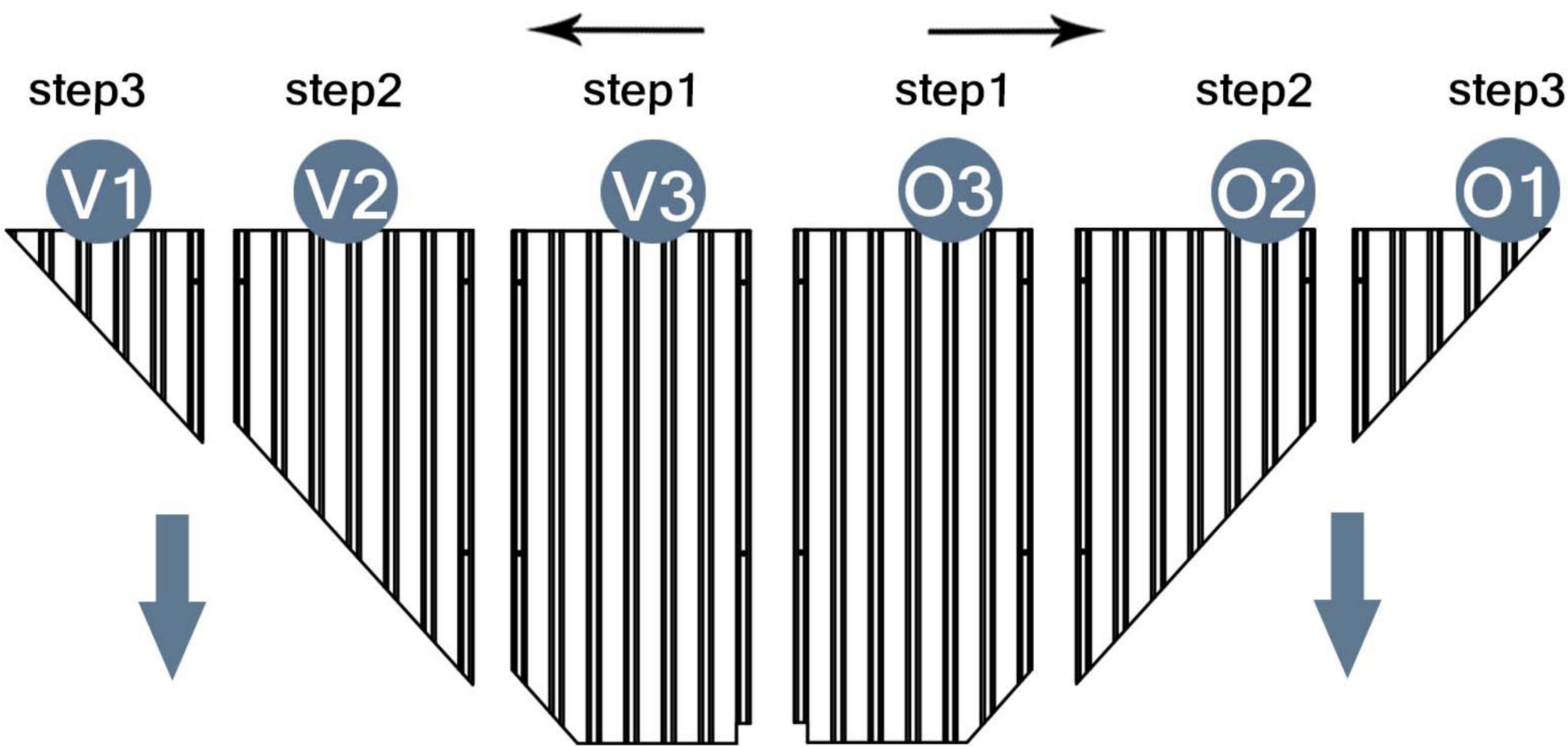
X3 2pcs



M5 14pcs



Pay attention to the direction of screw installation

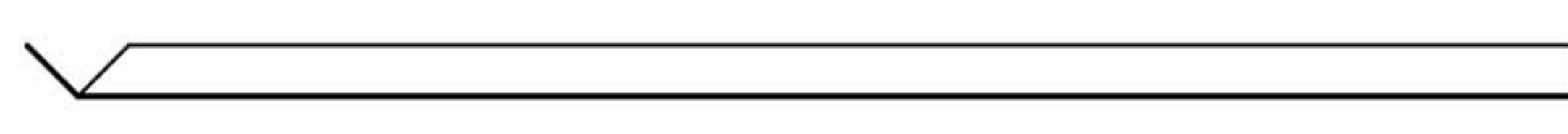


Please take care of the screws and contact the after-sales service if there is any problem with the installation or parts.

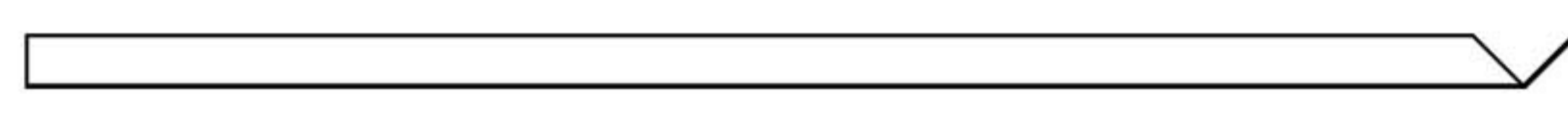
➔ E-mail: cs.helper01@gmail.com

STEP 18

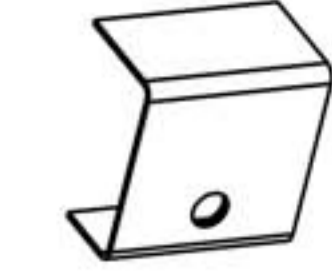
Parts required



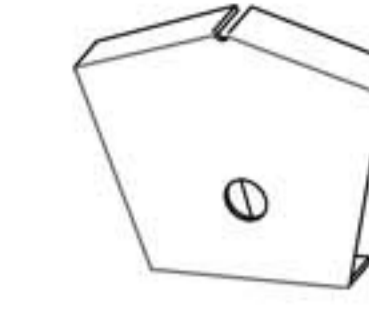
G1 4pcs



G2 4pcs



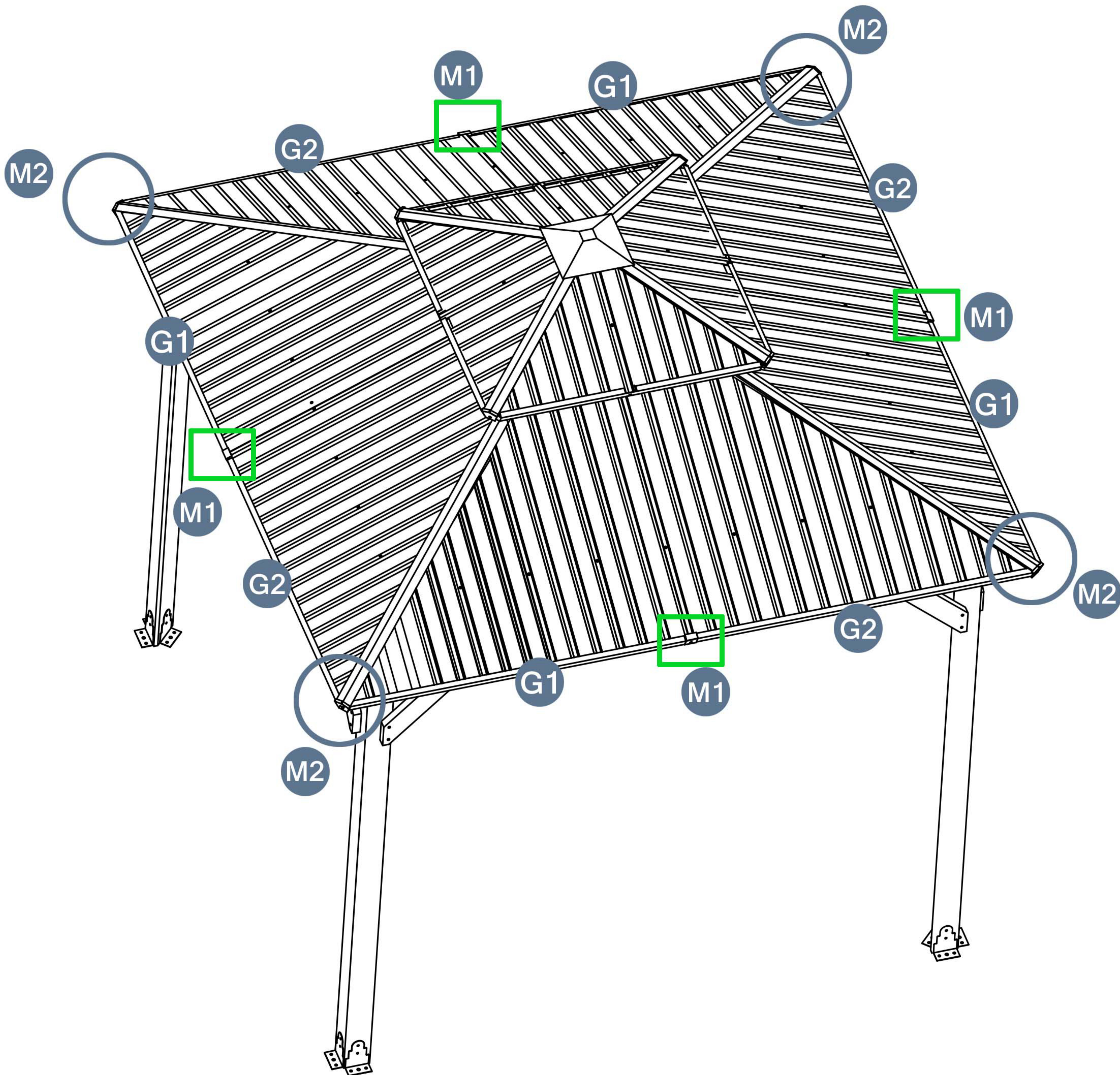
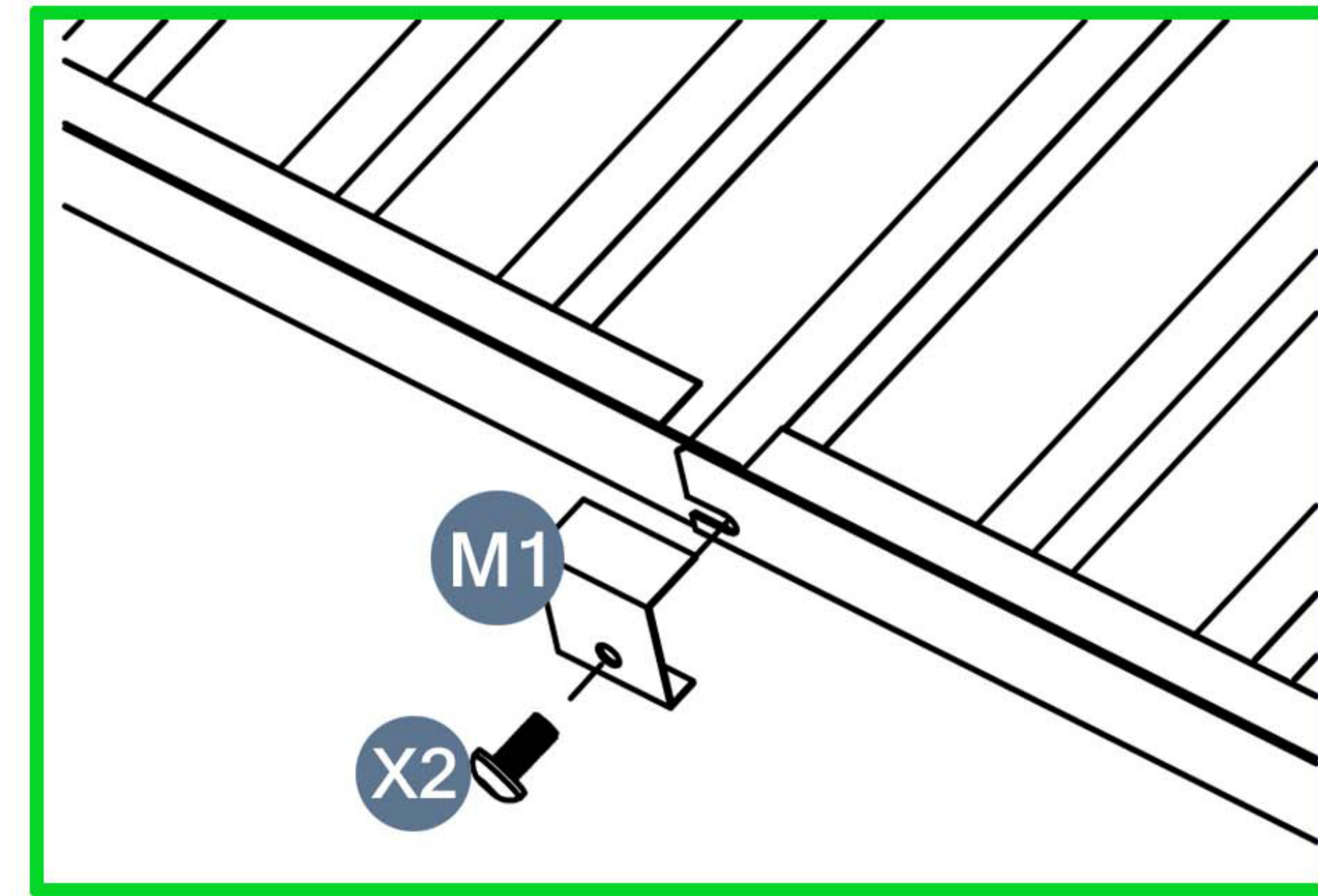
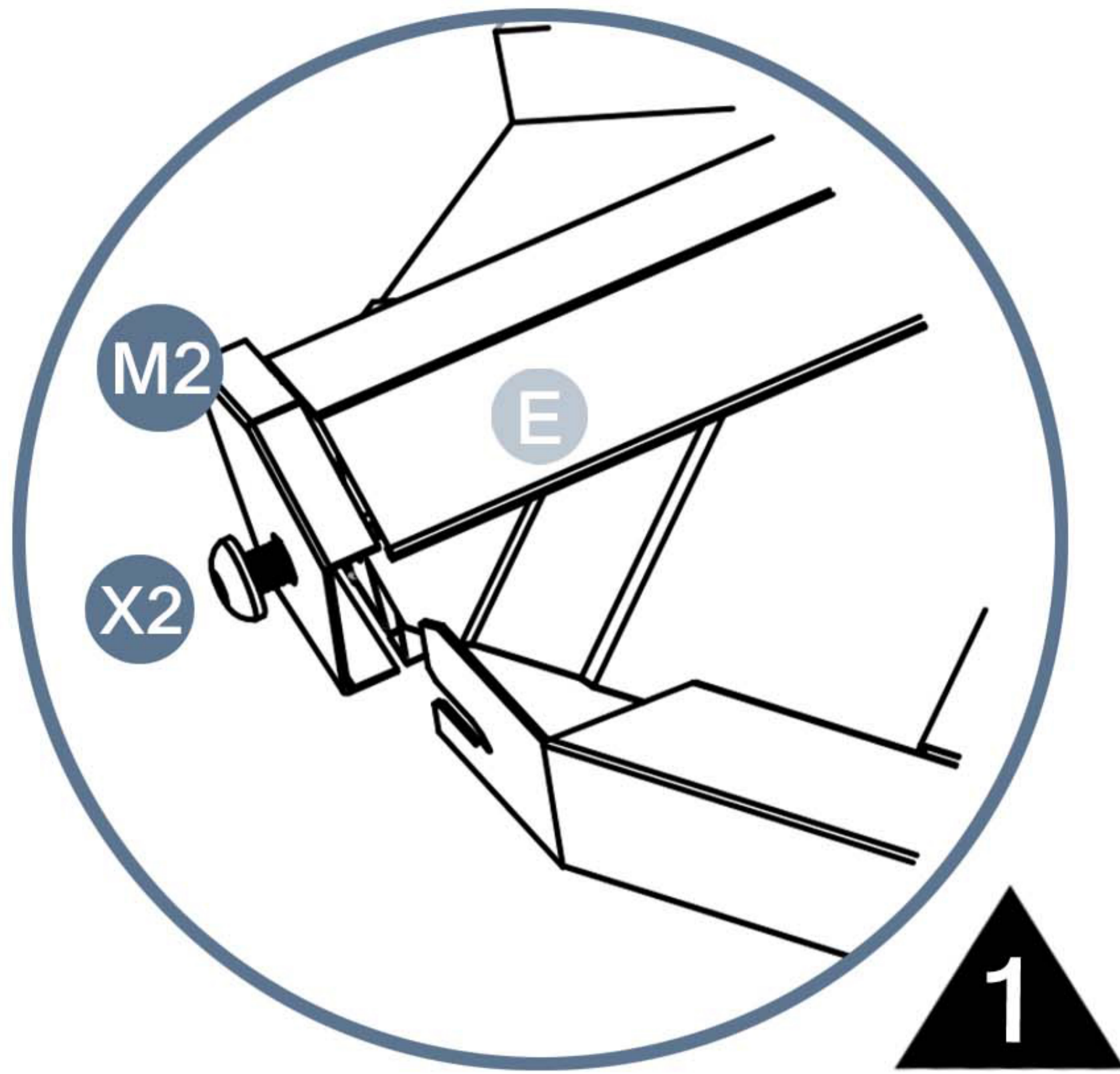
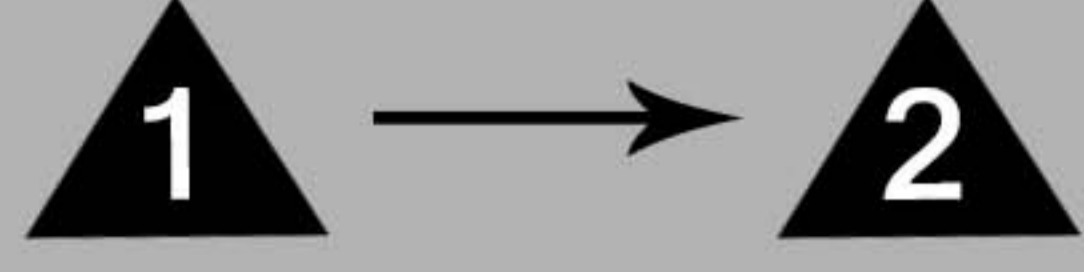
M1 4pcs



M2 4pcs



X2 8pcs



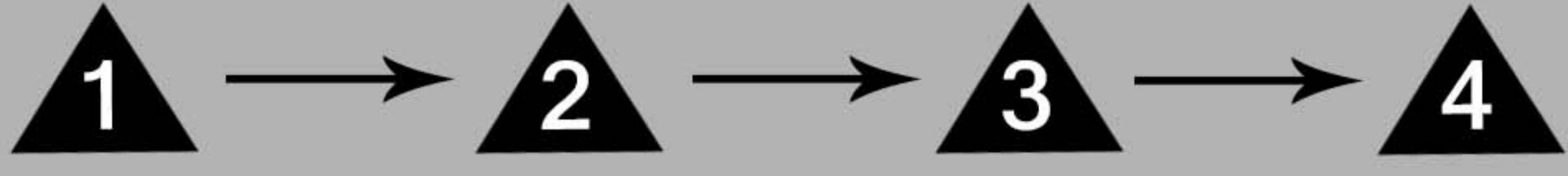
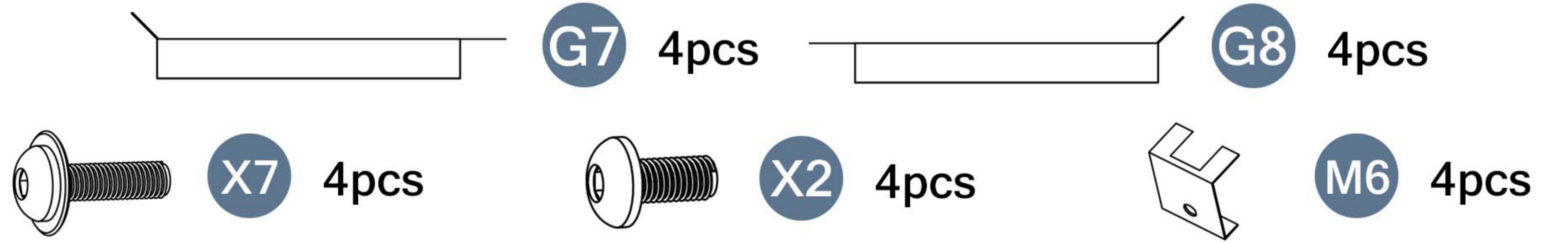
Please take care of the screws and contact the after-sales service if there is any problem with the installation or parts.



E-mail: cs.helper01@gmail.com

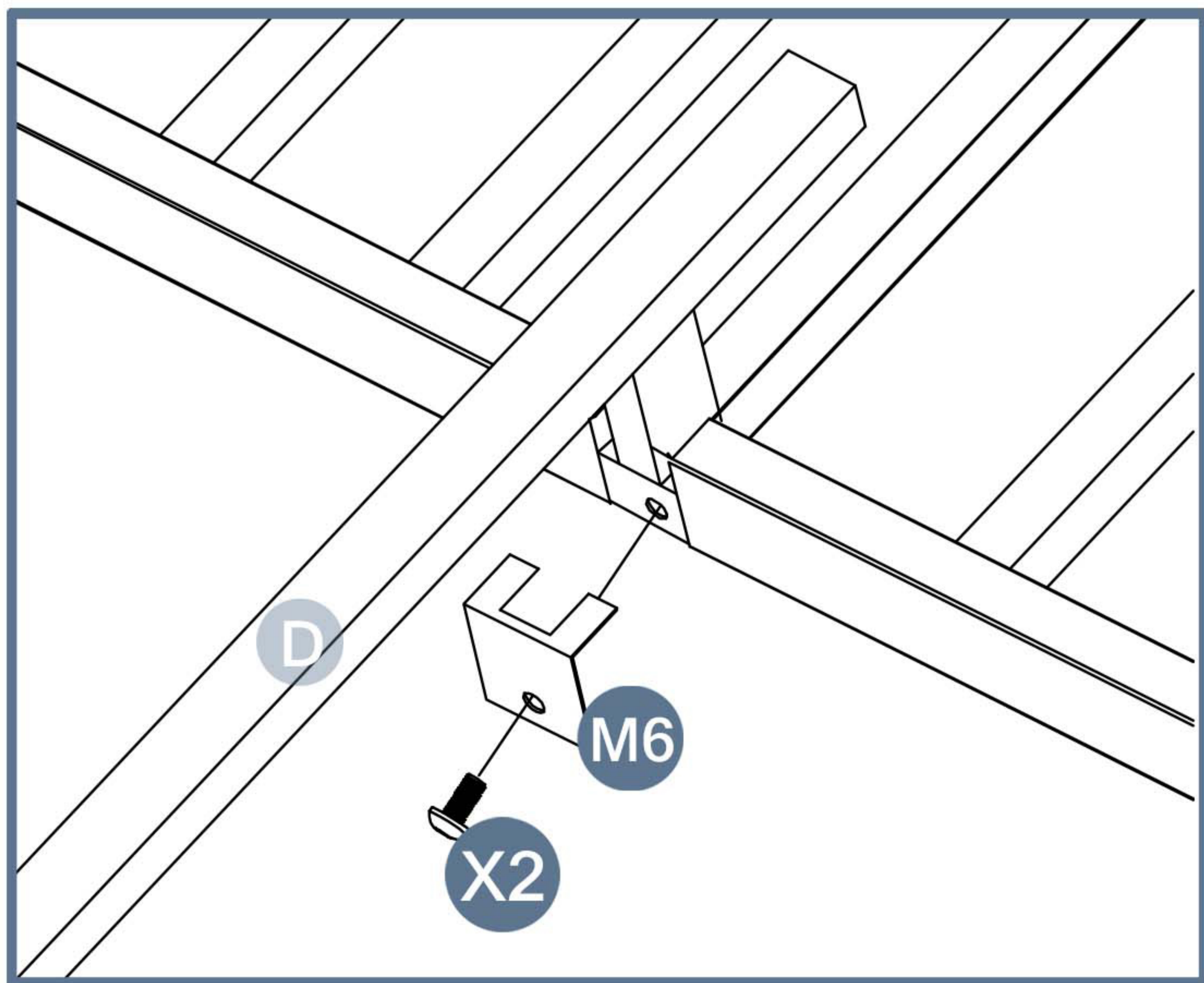
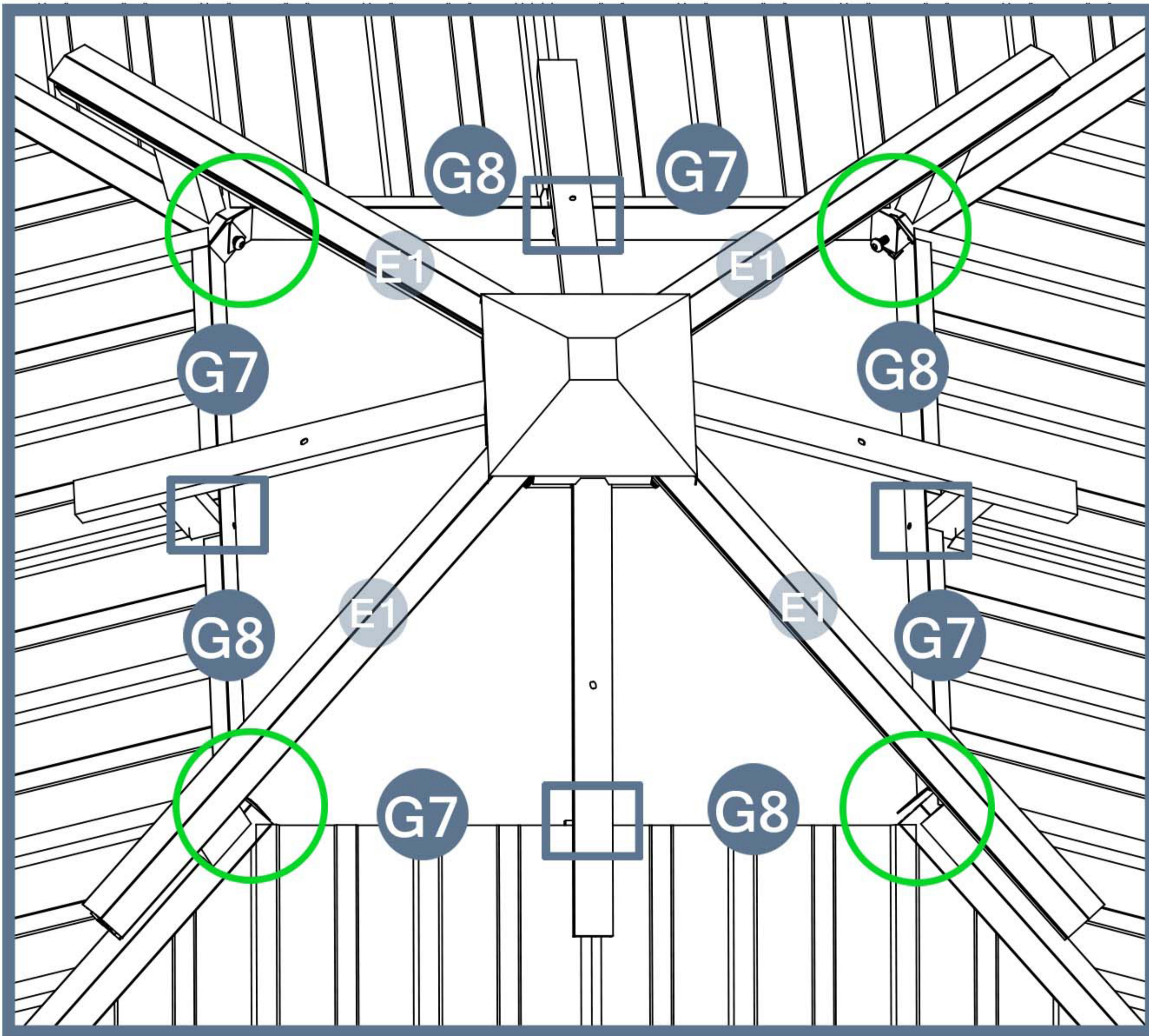
STEP 19

Parts required

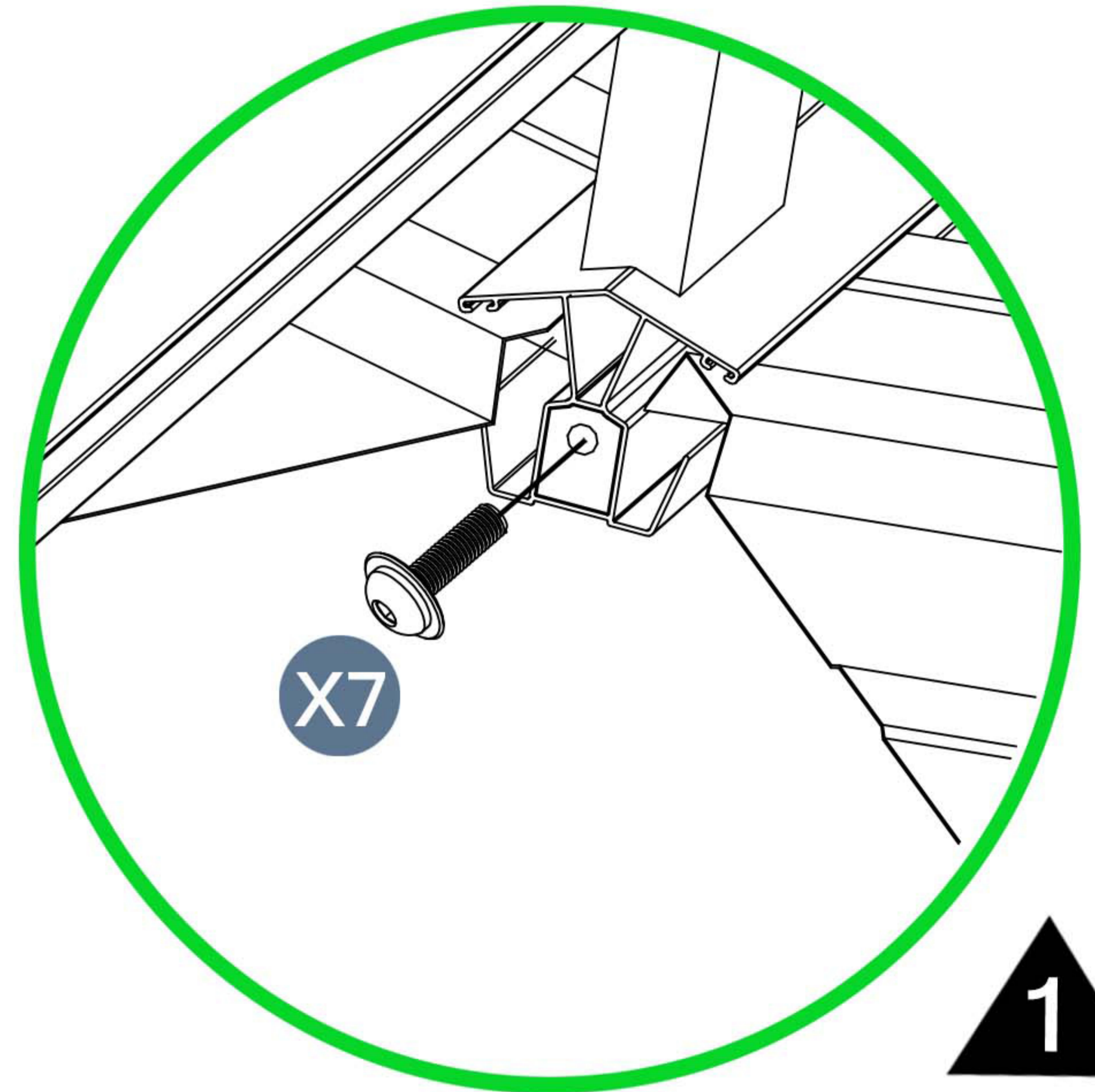


It can be installed from the inside.

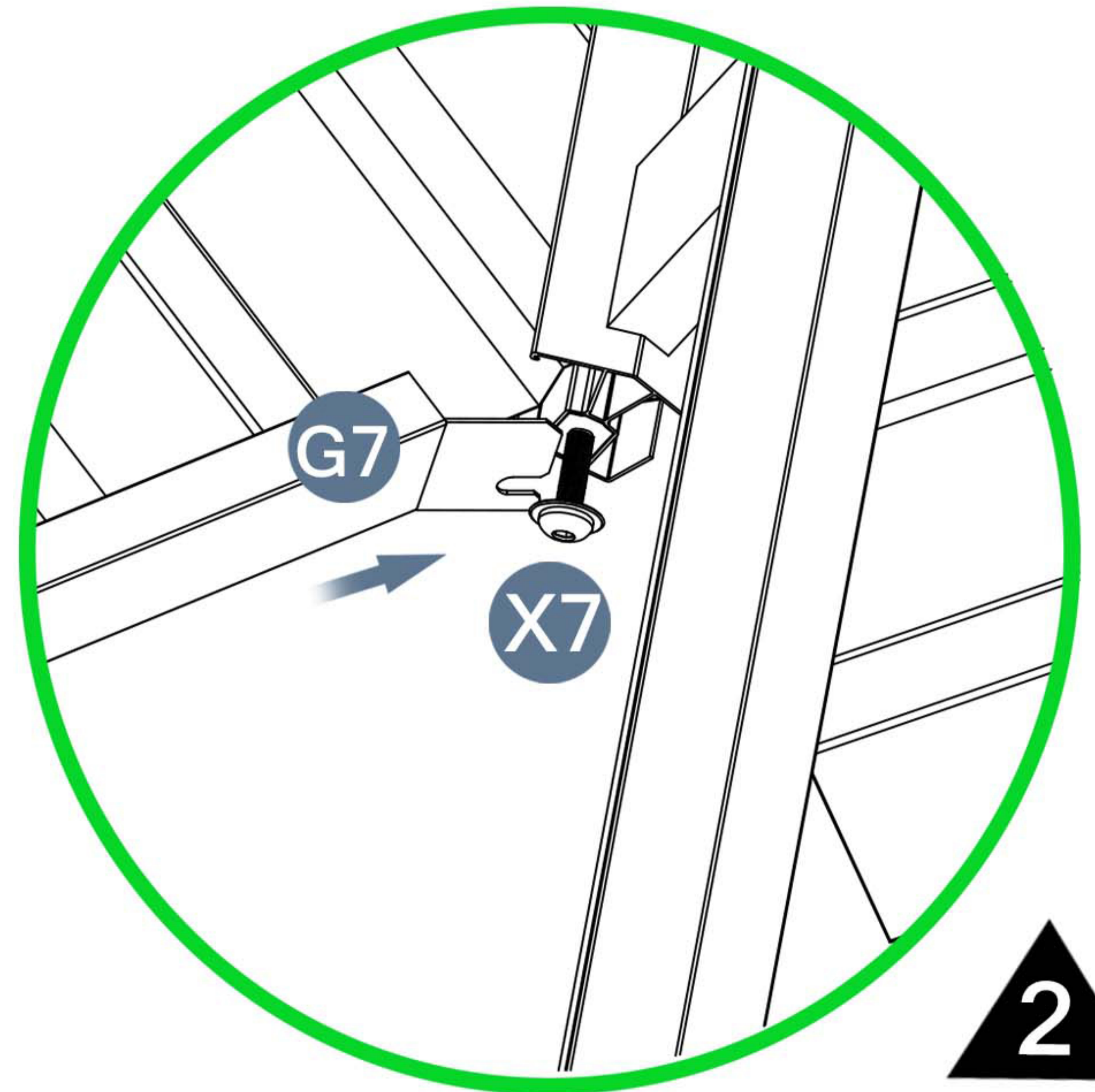
To better align the screws for practical situations, do not fully tighten screws initially.



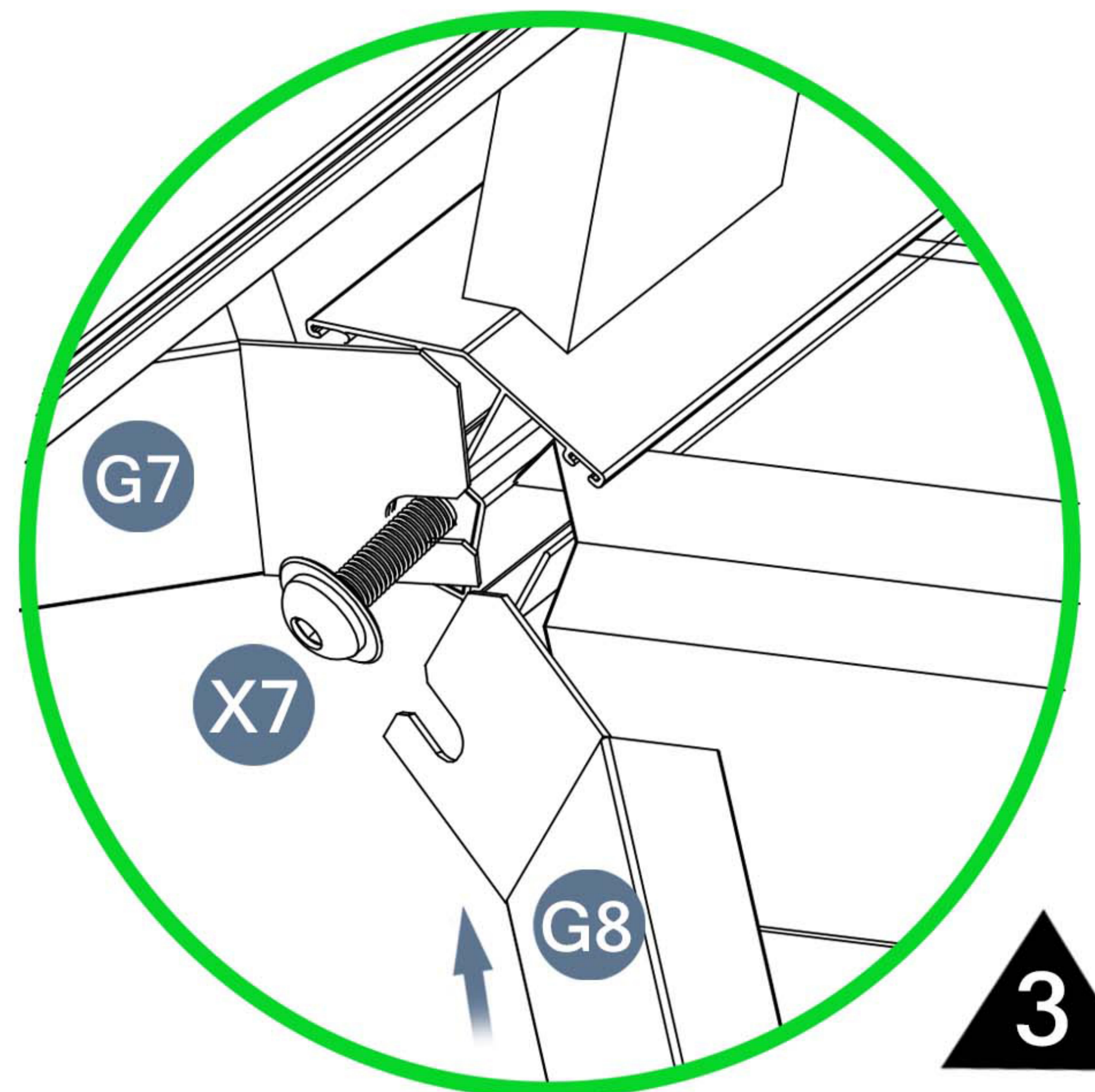
4



1

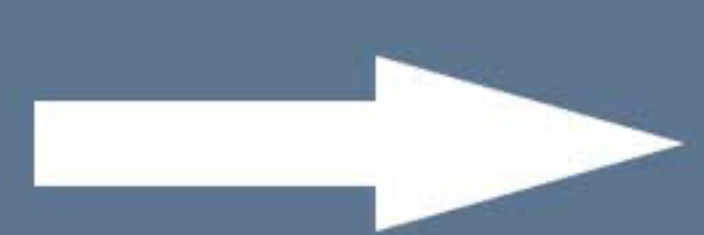


2



3

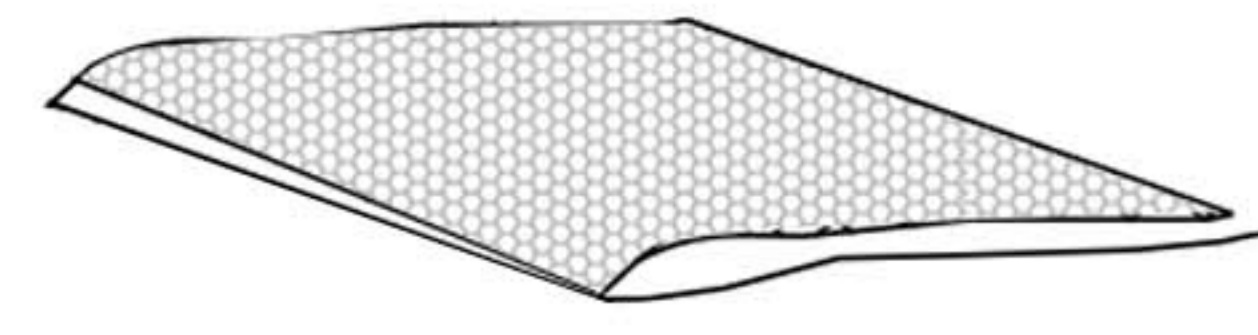
Please take care of the screws and contact the after-sales service if there is any problem with the installation or parts.



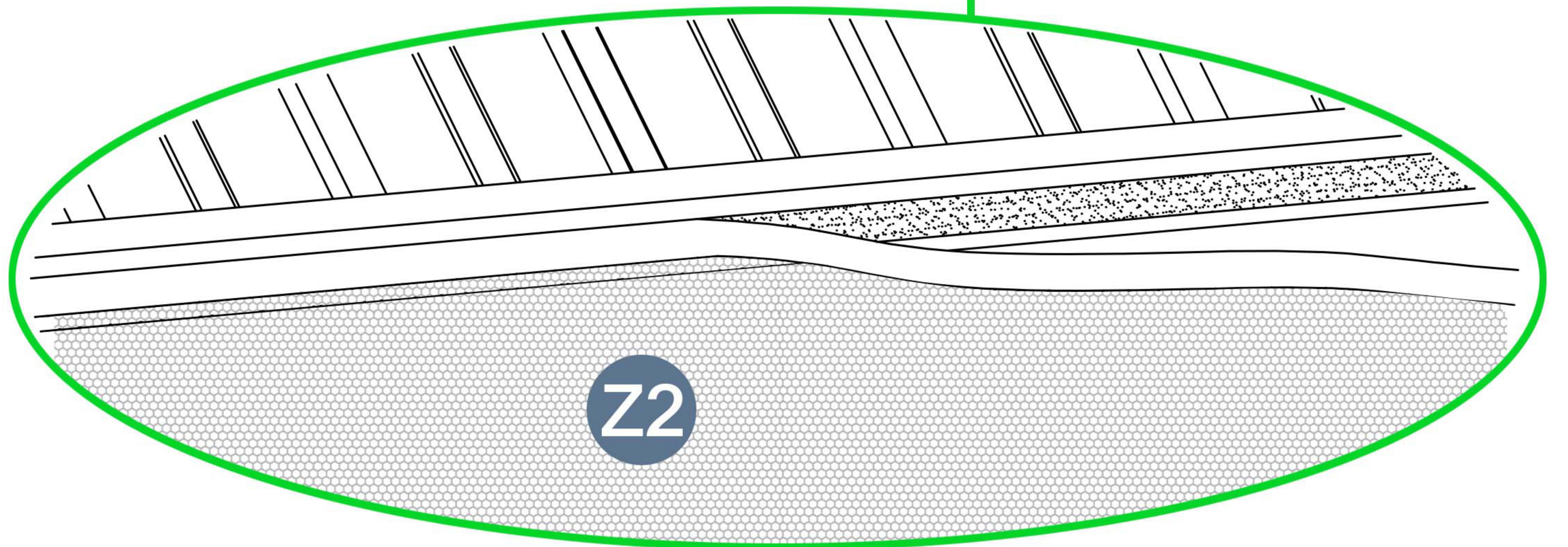
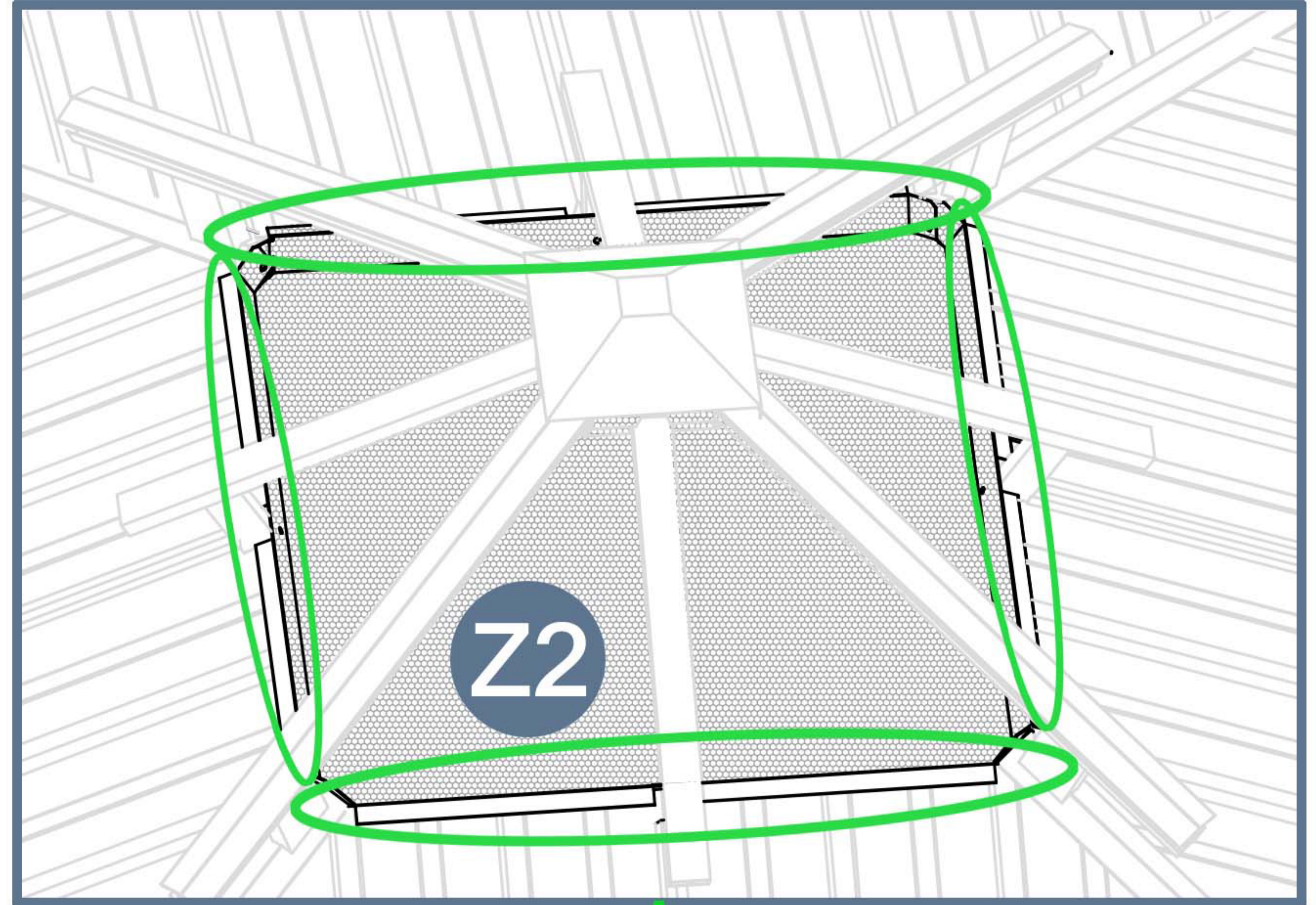
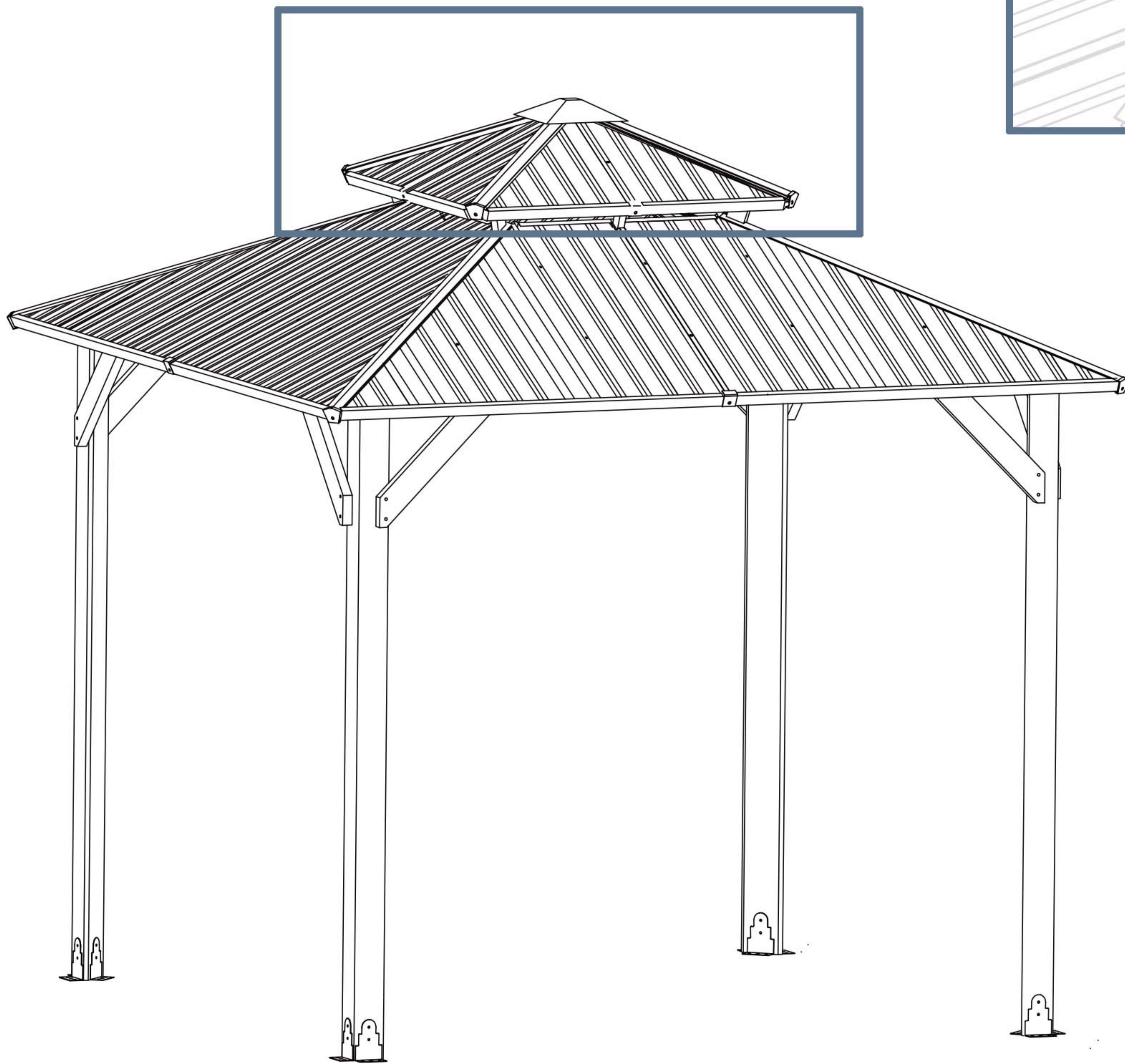
E-mail: cs.helper01@gmail.com

STEP 20

Parts required



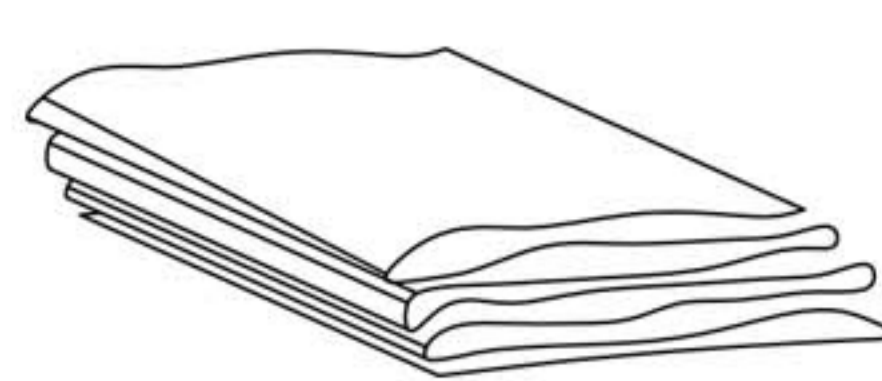
Z2 1pcs



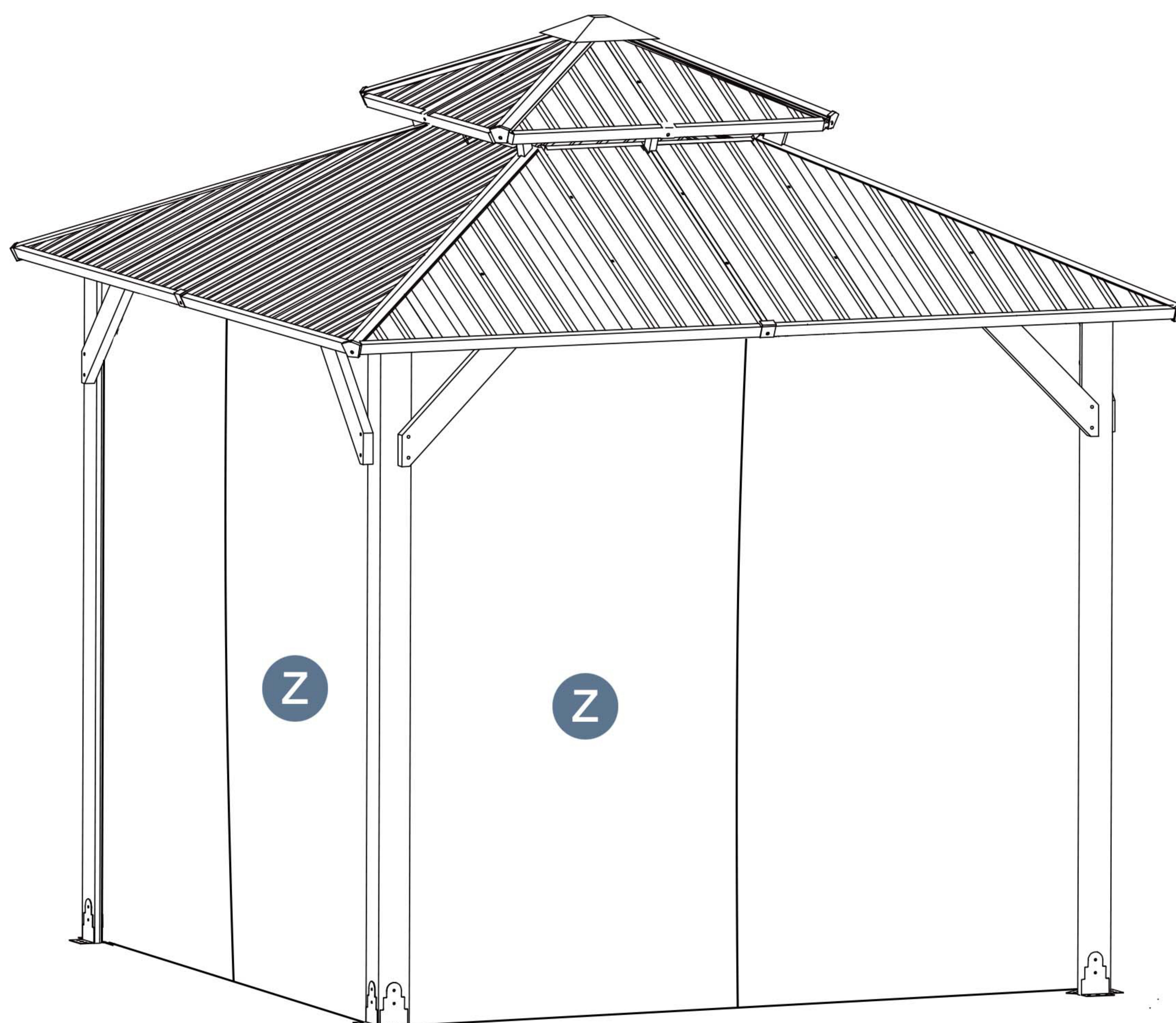
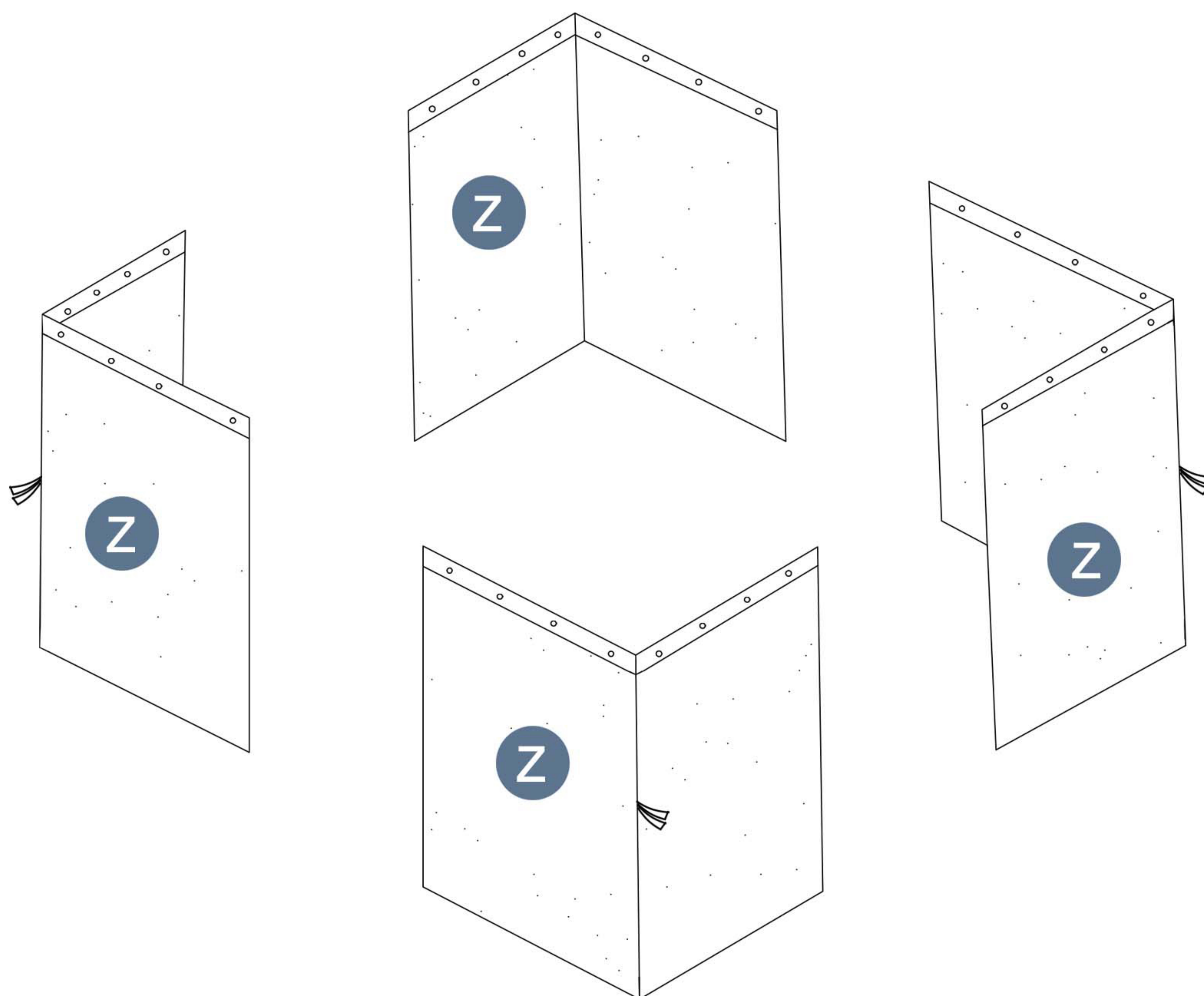
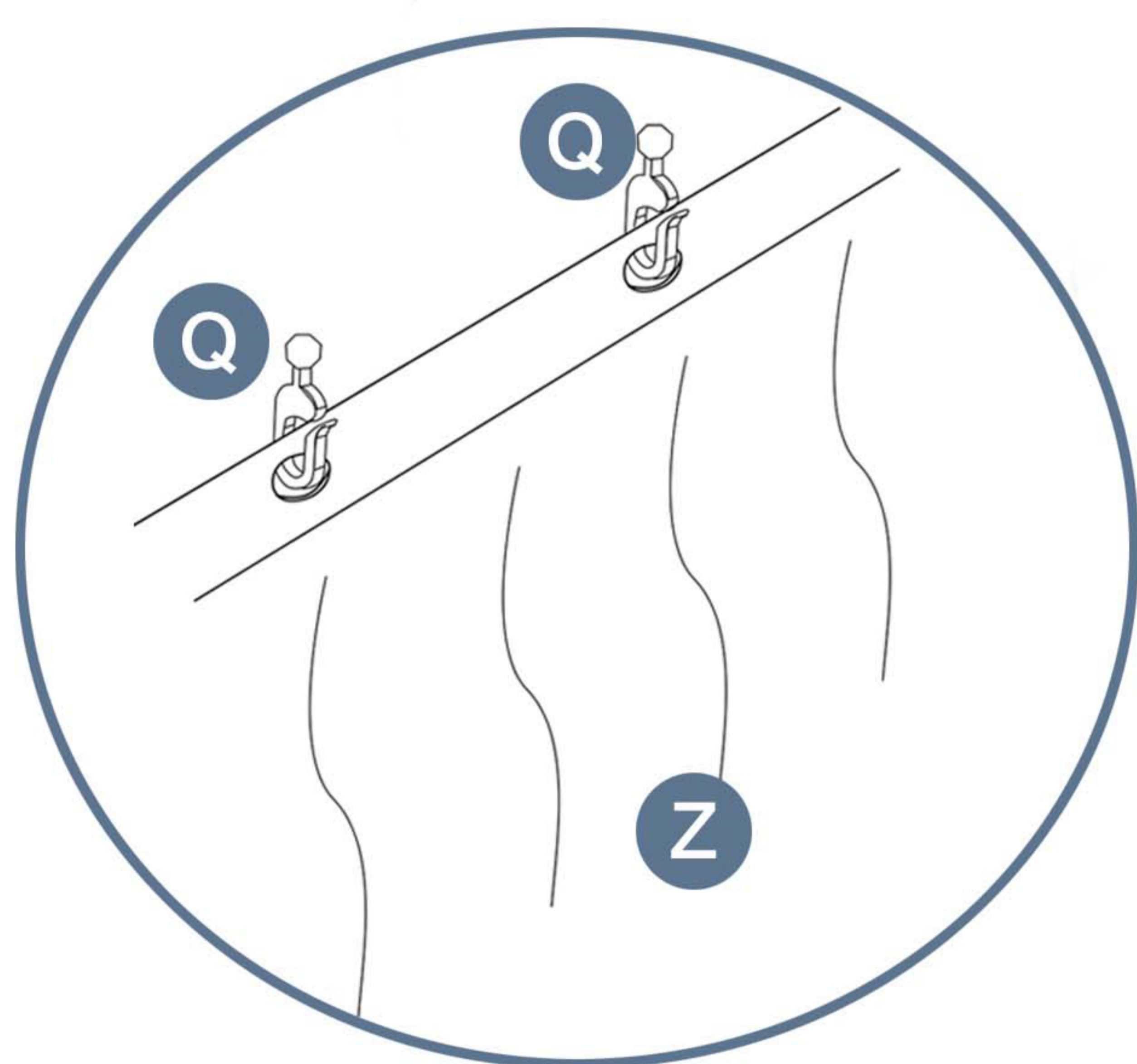
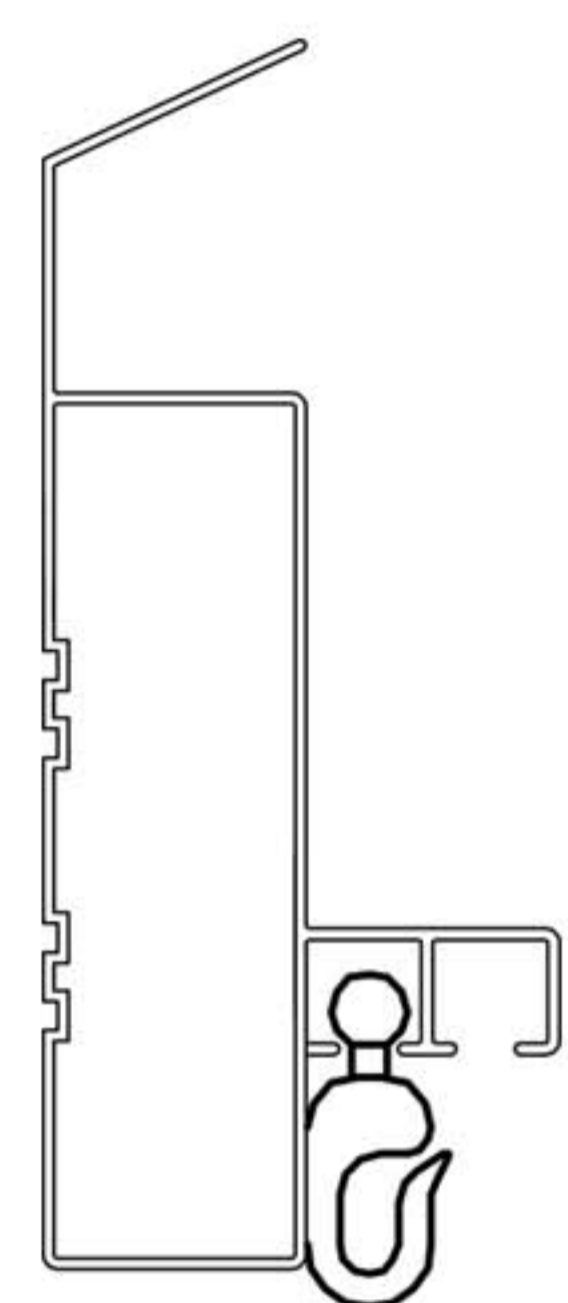
Please take care of the screws and contact the after-sales service if there is any problem with the installation or parts.

STEP 21

Parts required



Z 1pcs



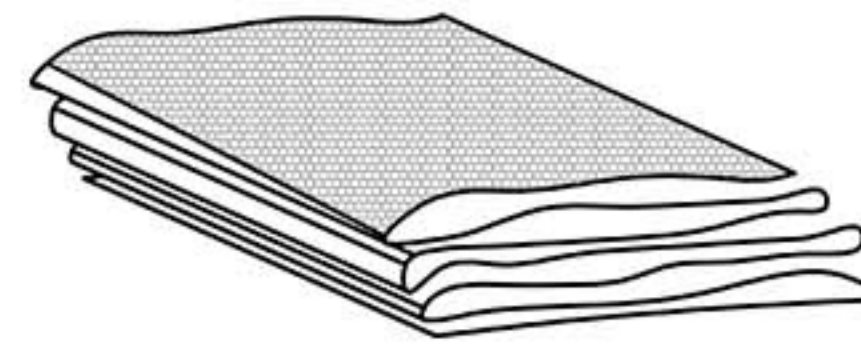
Please take care of the screws and contact the after-sales service if there is any problem with the installation or parts.



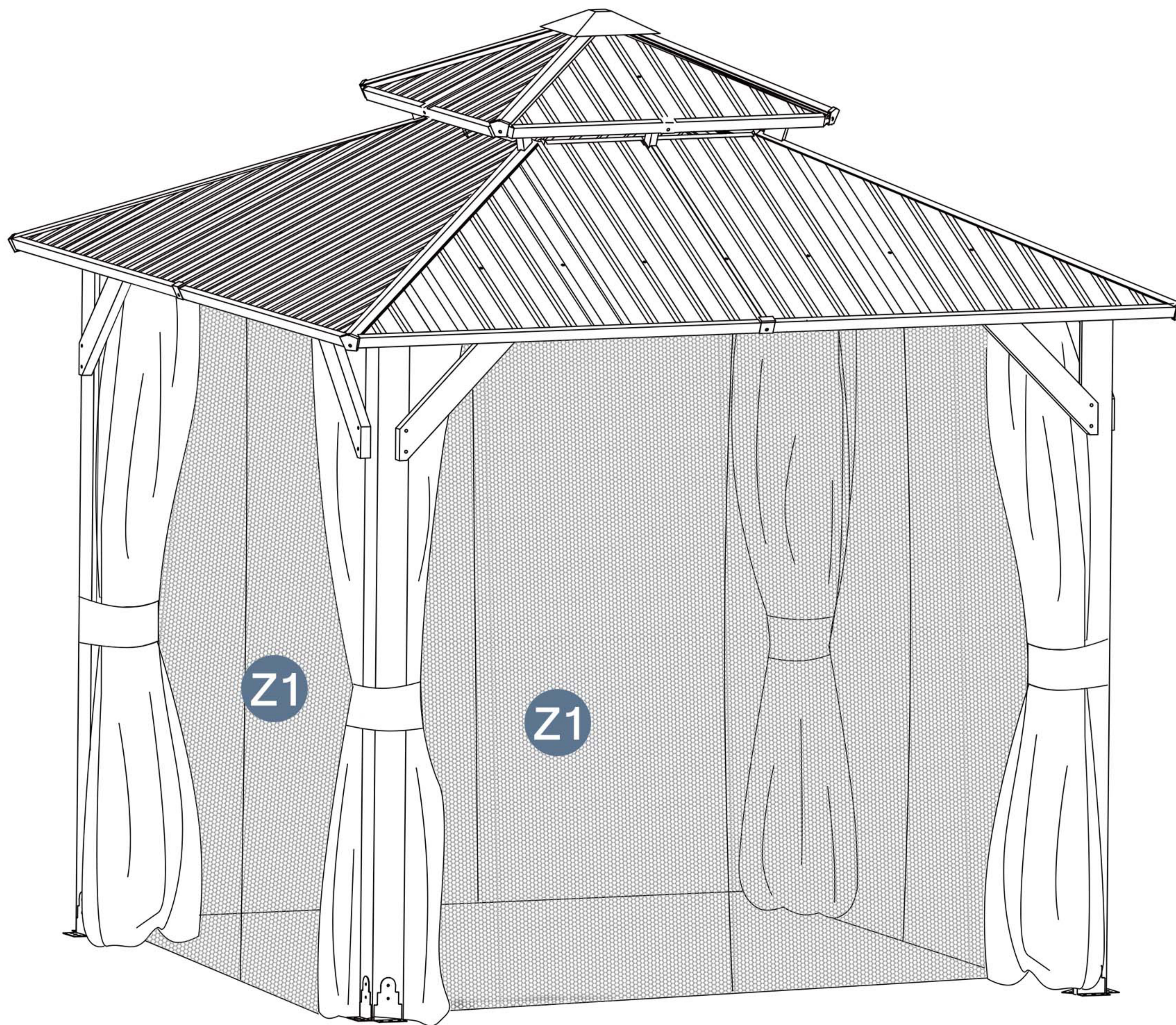
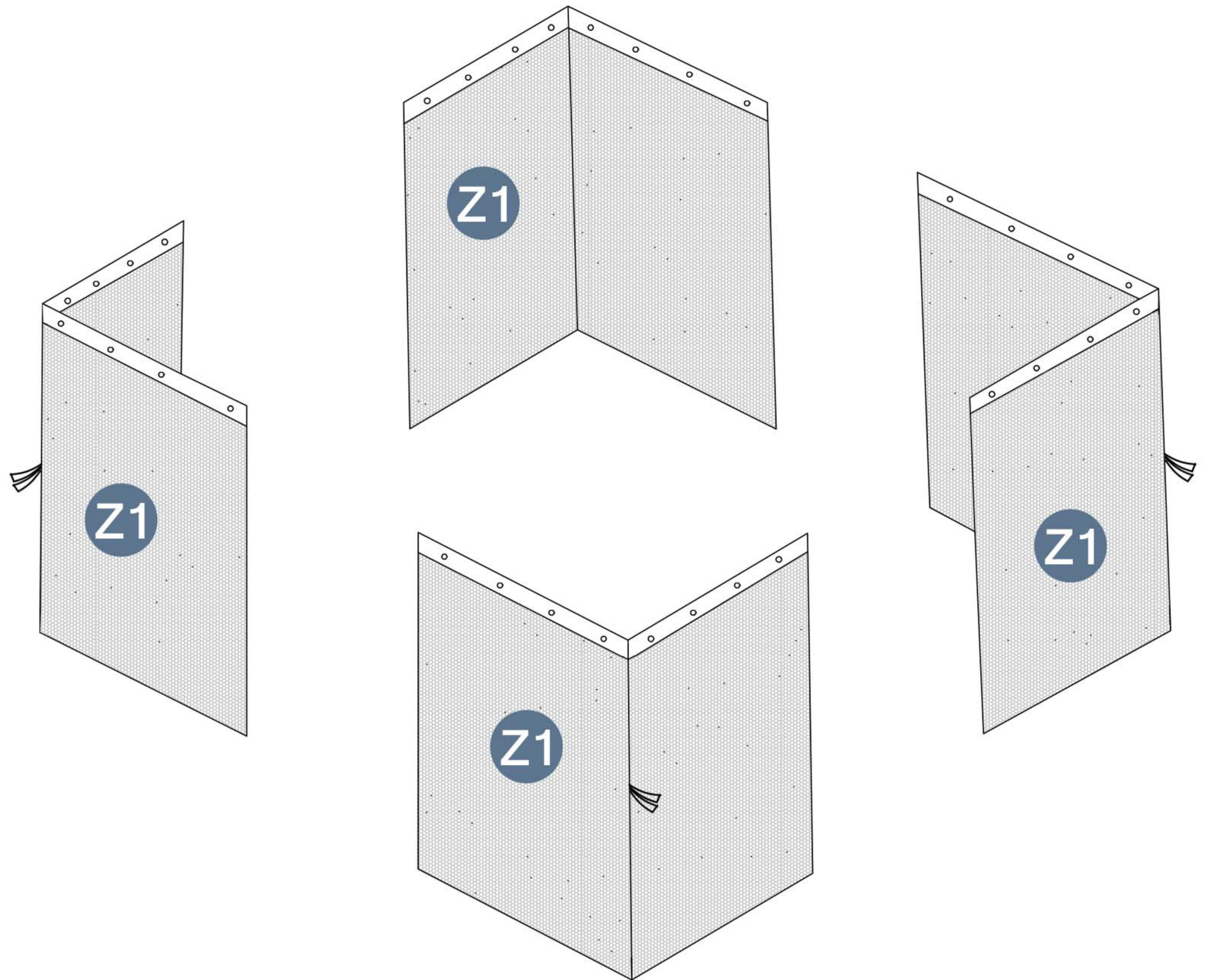
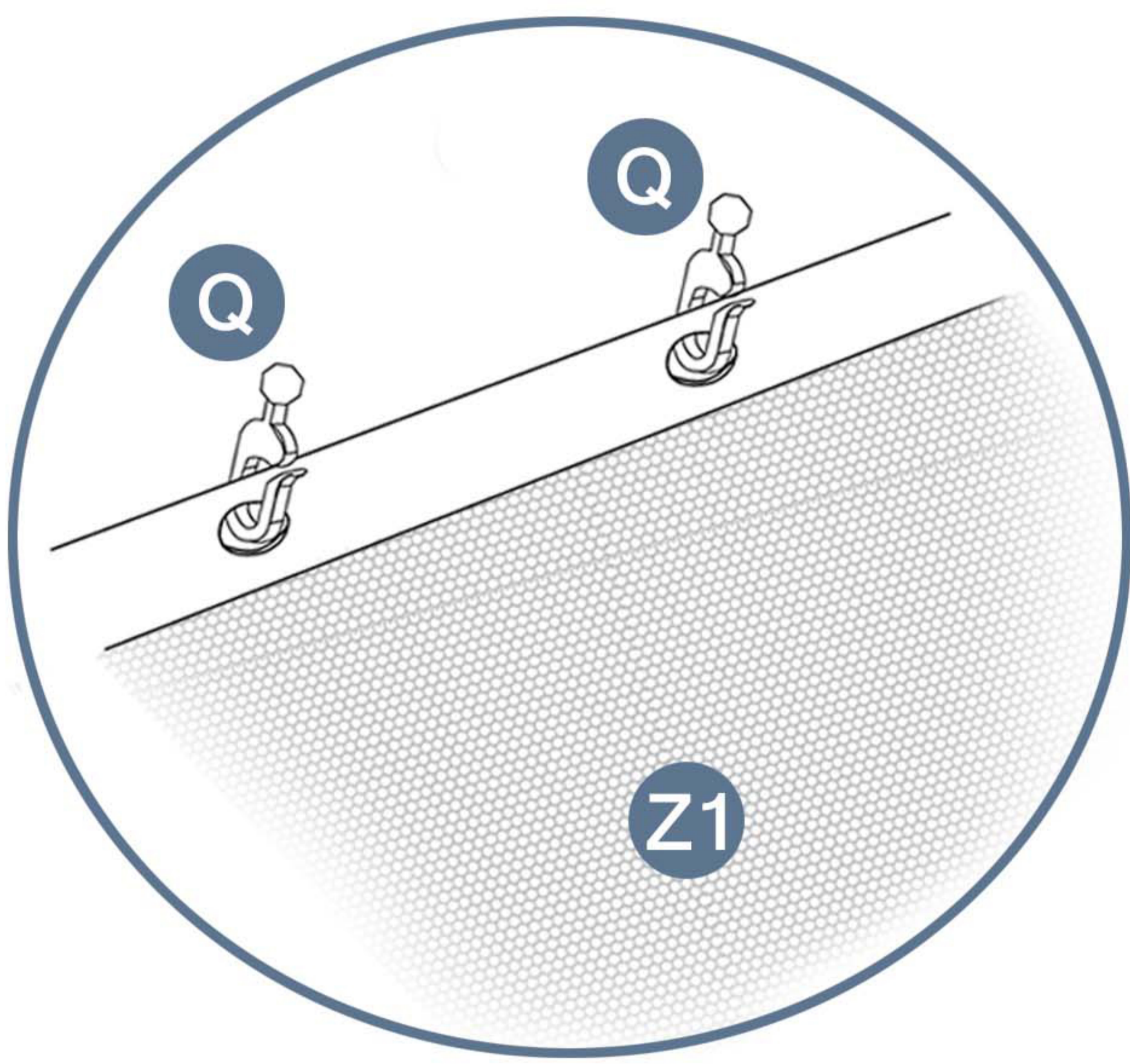
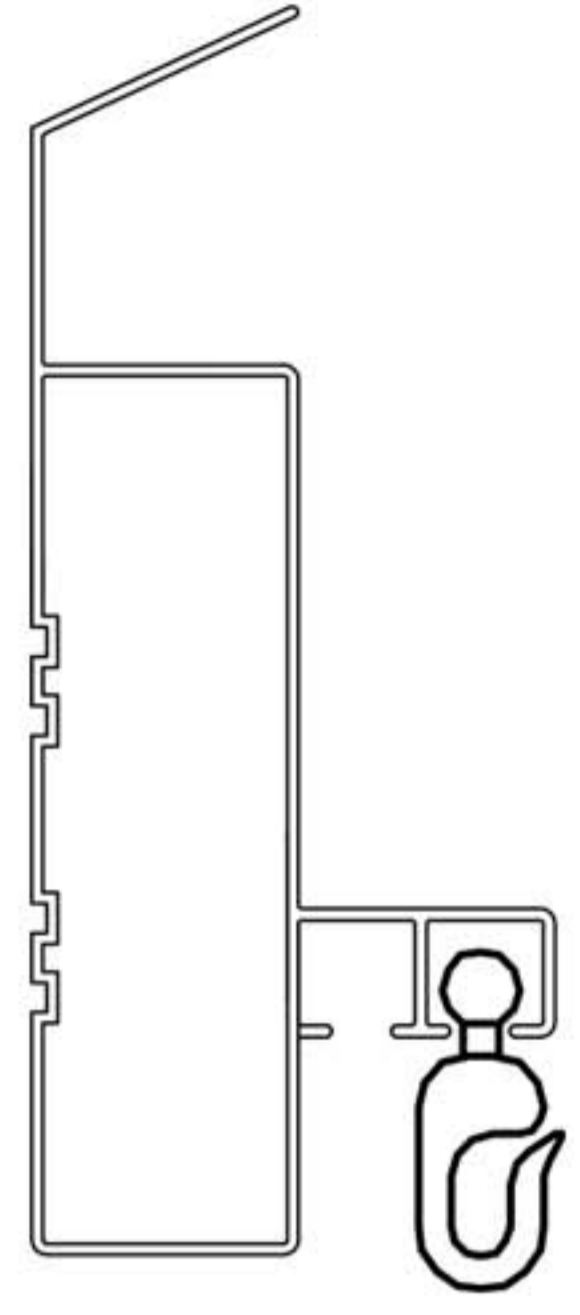
E-mail: cs.helper01@gmail.com

STEP 22

Parts required



Z1 1pcs

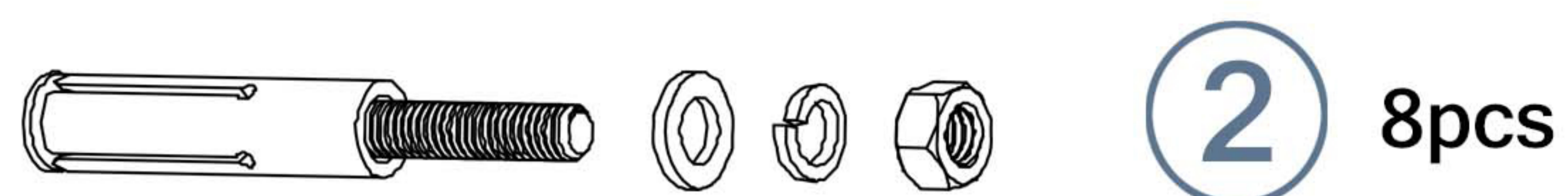


Please take care of the screws and contact the after-sales service if there is any problem with the installation or parts.

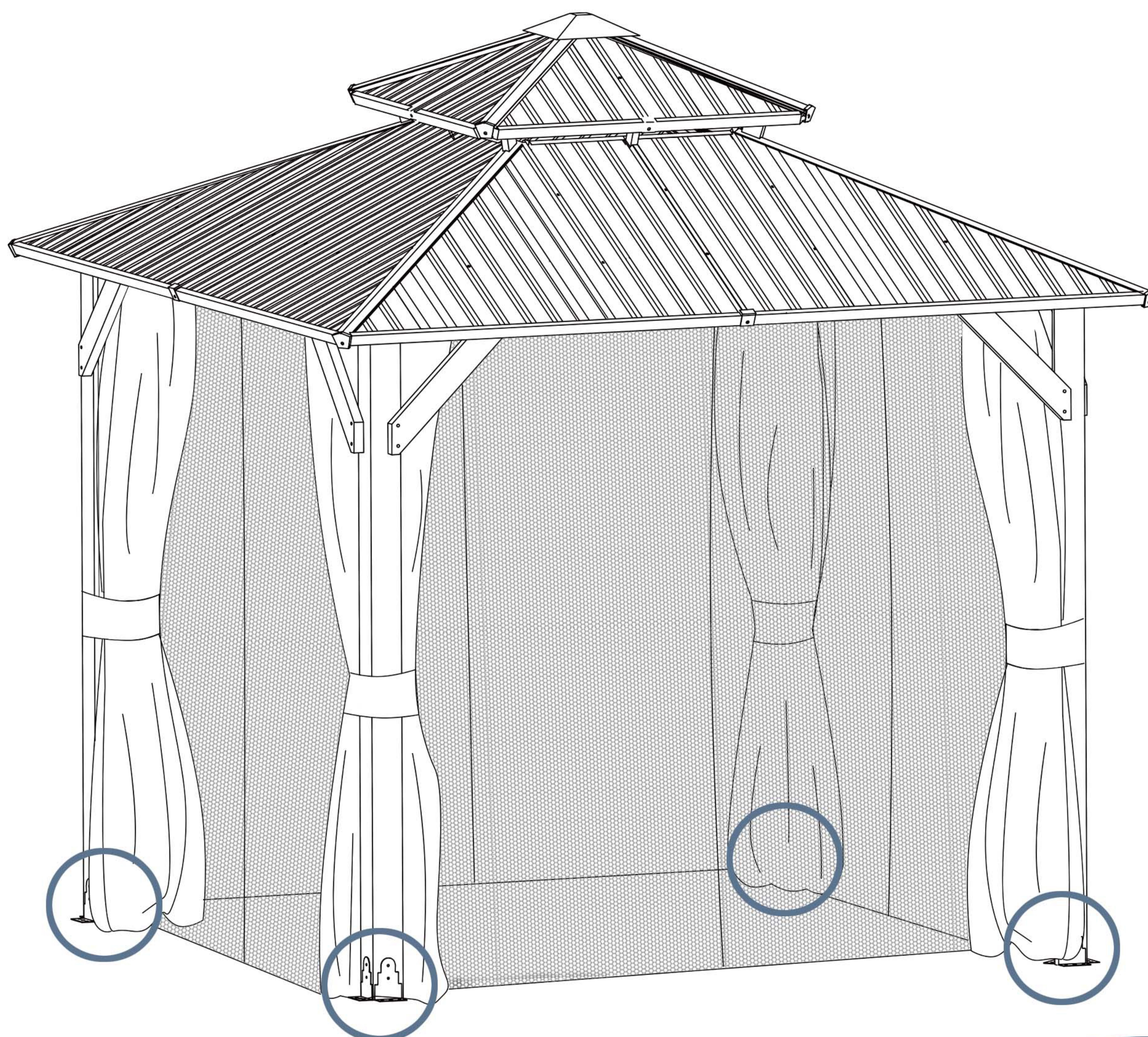


STEP 23

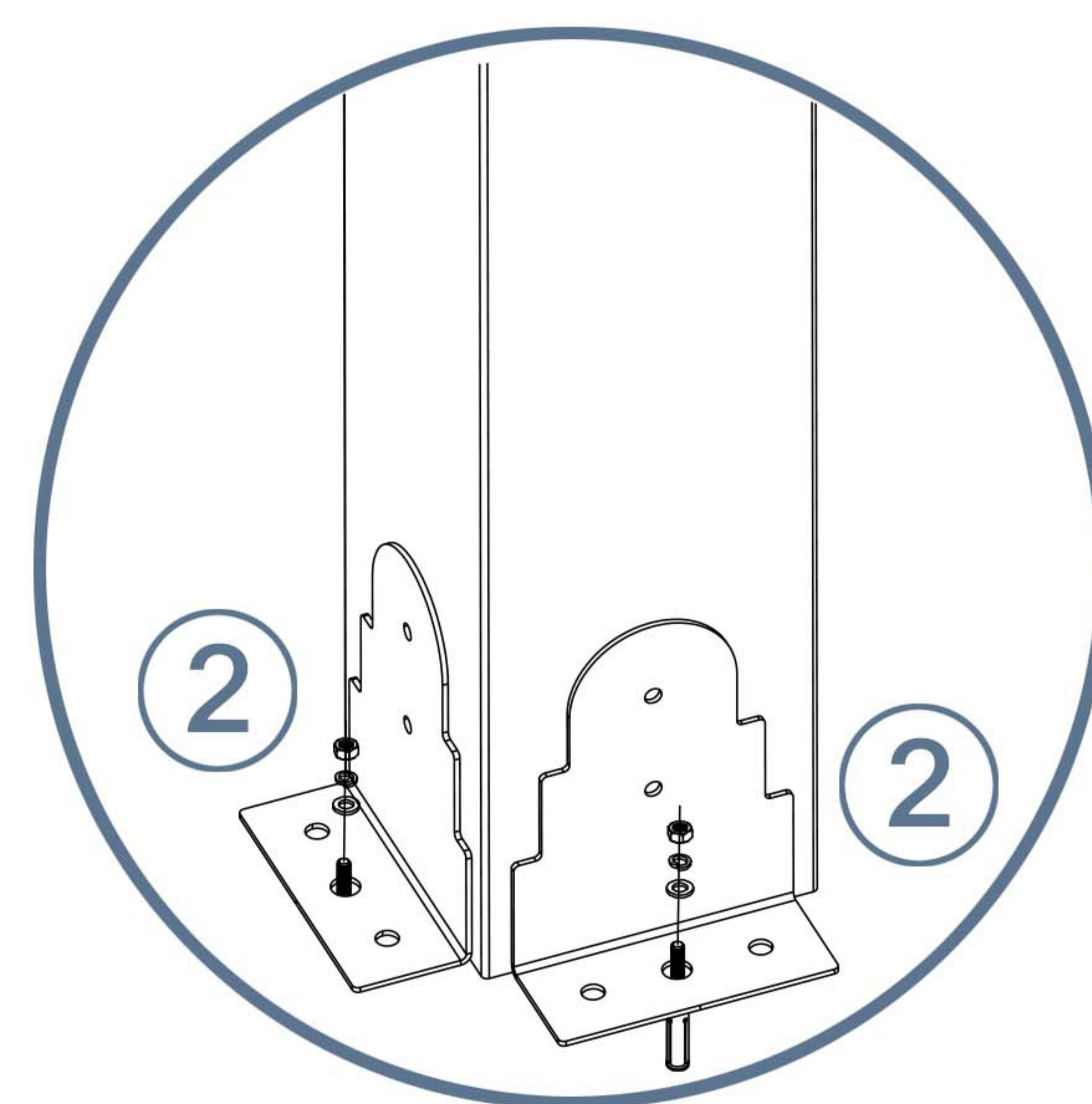
Parts required



To improve stability of gazebo, expansion screws very necessary. Expansion screws use for cement surfaces and have included in the package.



!!! For safety's stake, please check and make sure that all screws are tightened after all installation is complete.



Installation Completed

Please take care of the screws and contact the after-sales service if there is any problem with the installation or parts.

➔ ✉ E-mail: cs.helper01@gmail.com

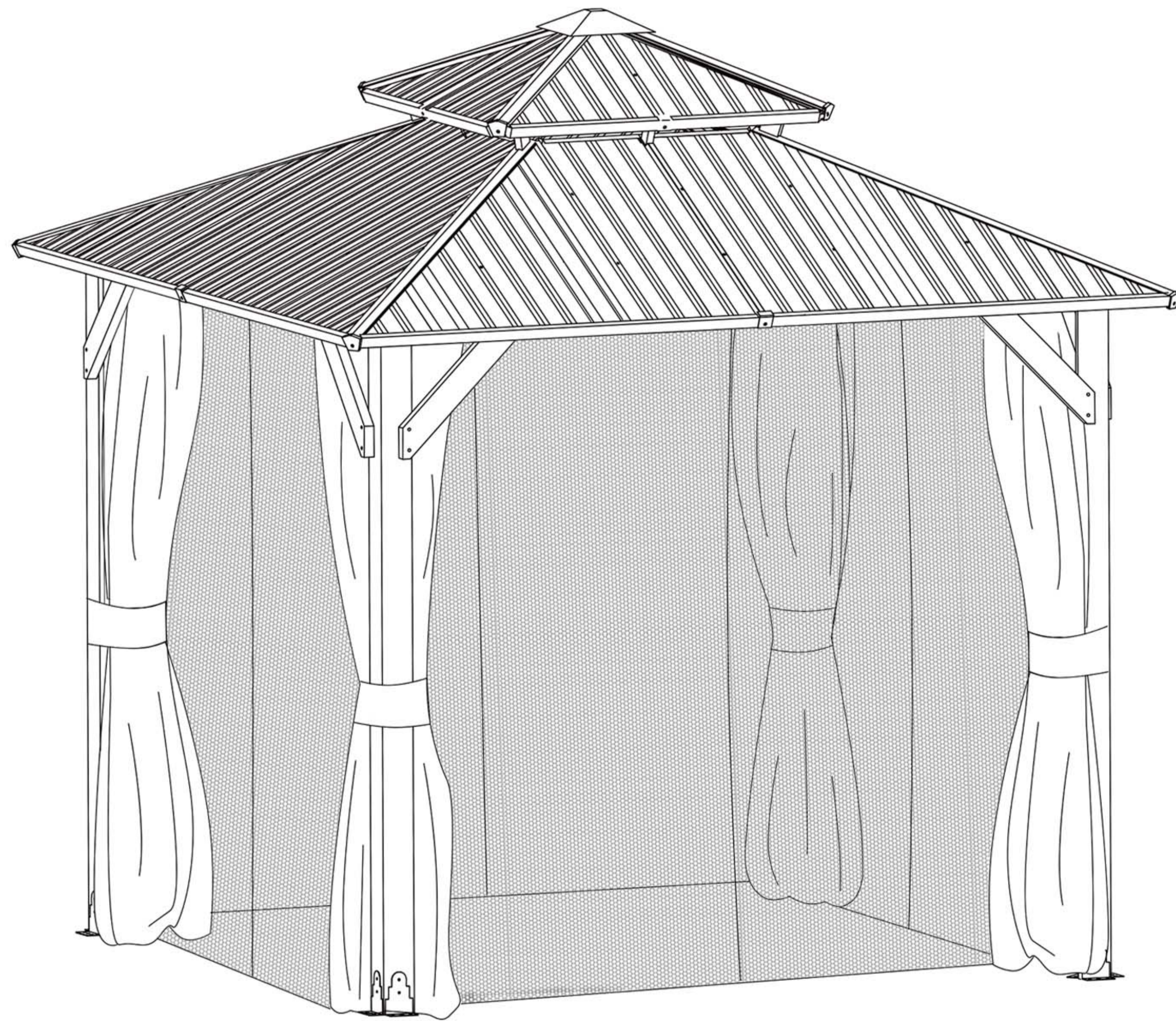
Hope you enjoy this product.

If you have any concerns about gazebo Installation, please feel free to contact us. We will reply within 24 hours.



E-mail: cs.helper01@gmail.com

10X10FT



SKU:A001G052-1
A001G052-2
A001G052-3