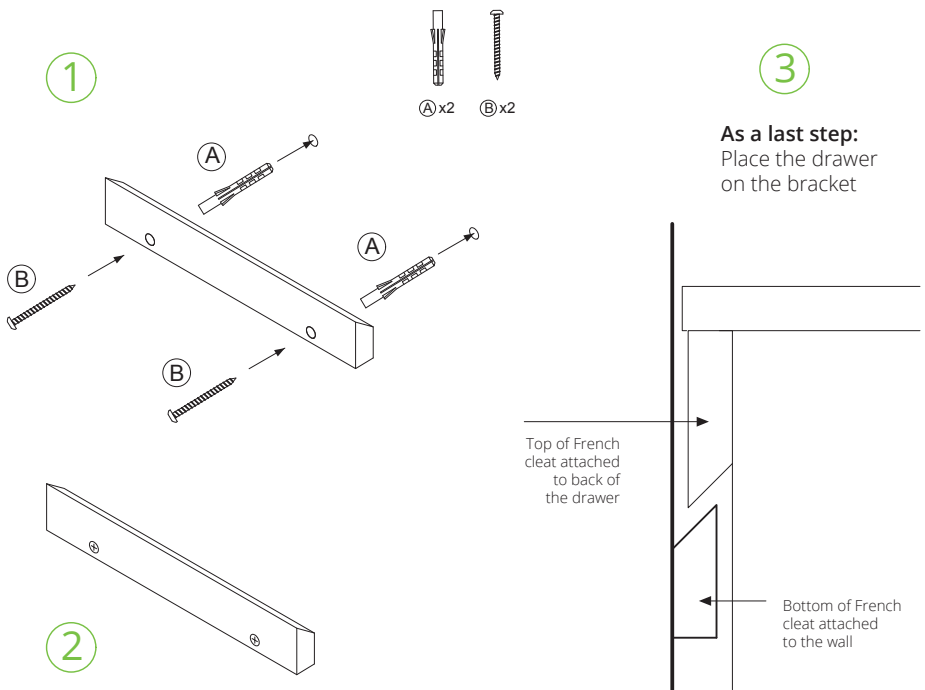


ASSEMBLY INSTRUCTIONS

Tools needed (not included): Level, Drill, Screwdriver, Ruler or tape measure, Hammer, Pen



As a last step:
Place the drawer
on the bracket

Wall fixings: Because of the variety of different wall types, You must first identify the type of the wall you intend to fix product onto and then contact your local hardware store to get the appropriate fixings.

PS! Please note that product is treated with oil and can rub off on clothing when opening the packaging. This is due to natural differences of the wood as various parts of an item will absorb the oil differently.

Serious or fatal crushing injuries can occur from furniture tip-over. To help prevent tip-over:

- Execute all steps fixation described in this assembly guide.
- Never allow children to climb or hang on furniture.
- Do not set heavy objects on the top of this product.
- It is the users responsibility to ensure the proper use and installation of this product. The manufacturer accepts no responsibility for failure due to incorrect or inappropriate installation.

Warning! This bag contains small parts that present a choking hazard for children under 3 years of age. These parts are for adult assembly only and should not permanently affixed to the furniture.