

CARE AND MAINTENANCE

Never use abrasive or acid-based cleaners on the shelf rack.

Clean shelves and rods with a solution of mild detergent and water .Use a soft cloth or sponge to wipe parts.Rinse and dry thoroughly.Keep surfaces dry and clean for a longer lasting finish.

NOTICE

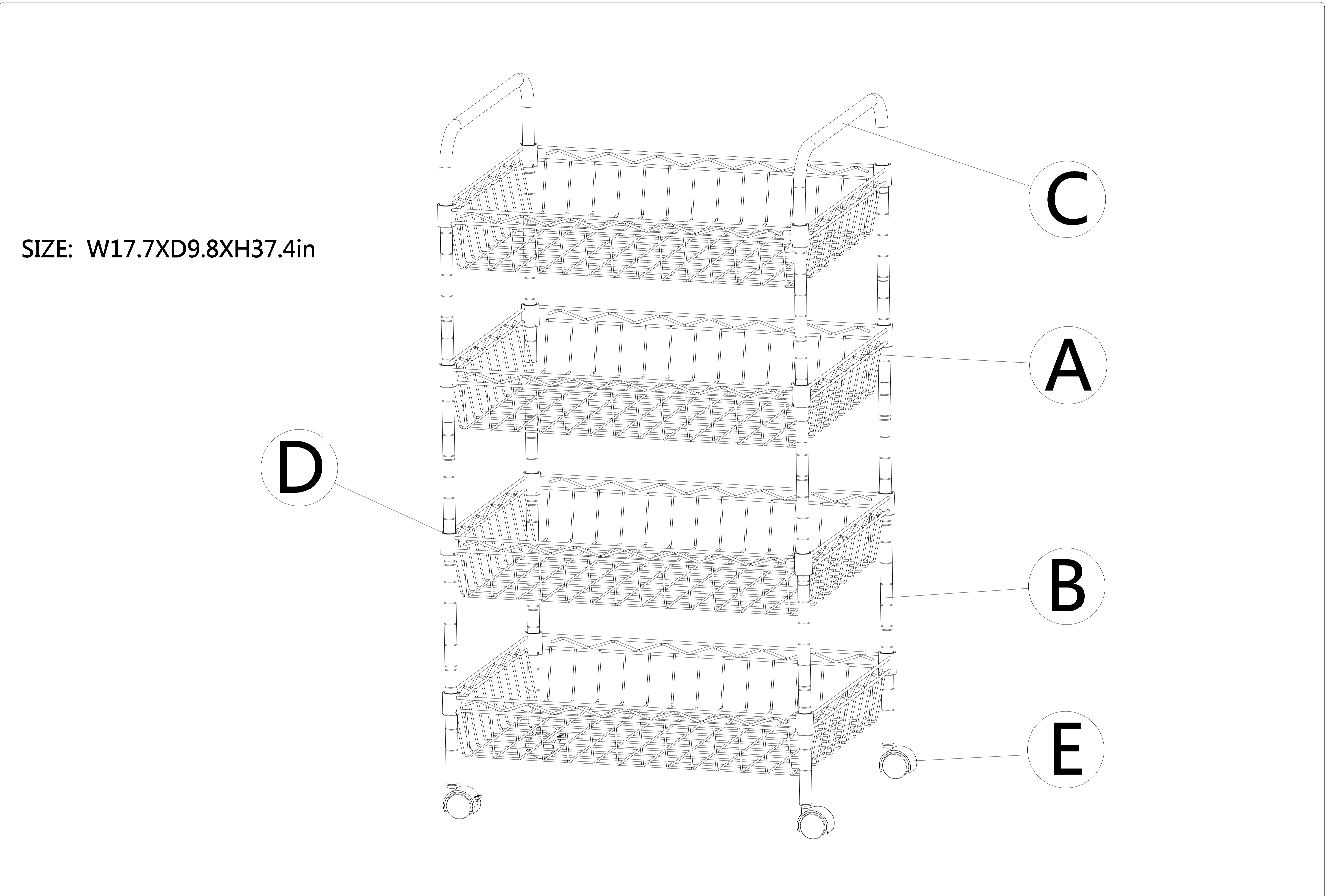
Please read and understand these instructions before attempting to assemble,operate or install the product.

-Two adults required for a assembly.

-Do not allow children to climb or play in or around the shelves .

-Each shelf holds up to 66 Ibs.When items are evenly distributed.

-Assemble on a soft surface,such as carpeting to avoid scratching the finish .



No.	A	B	C	D	E
Name	Wire Basket	Lower Pole	Upper Handle	Plastic Clip	Nylon Caster
Parts					
Quantity	4PCS	4PCS	2PCS	32PCS	4PCS

PREPARATION

1.Before beginning assembly of product,make sure all parts are present.Compare parts with package contents list and hardware contents .If any parts is missing or damaged,do not attempt to assemble the product .

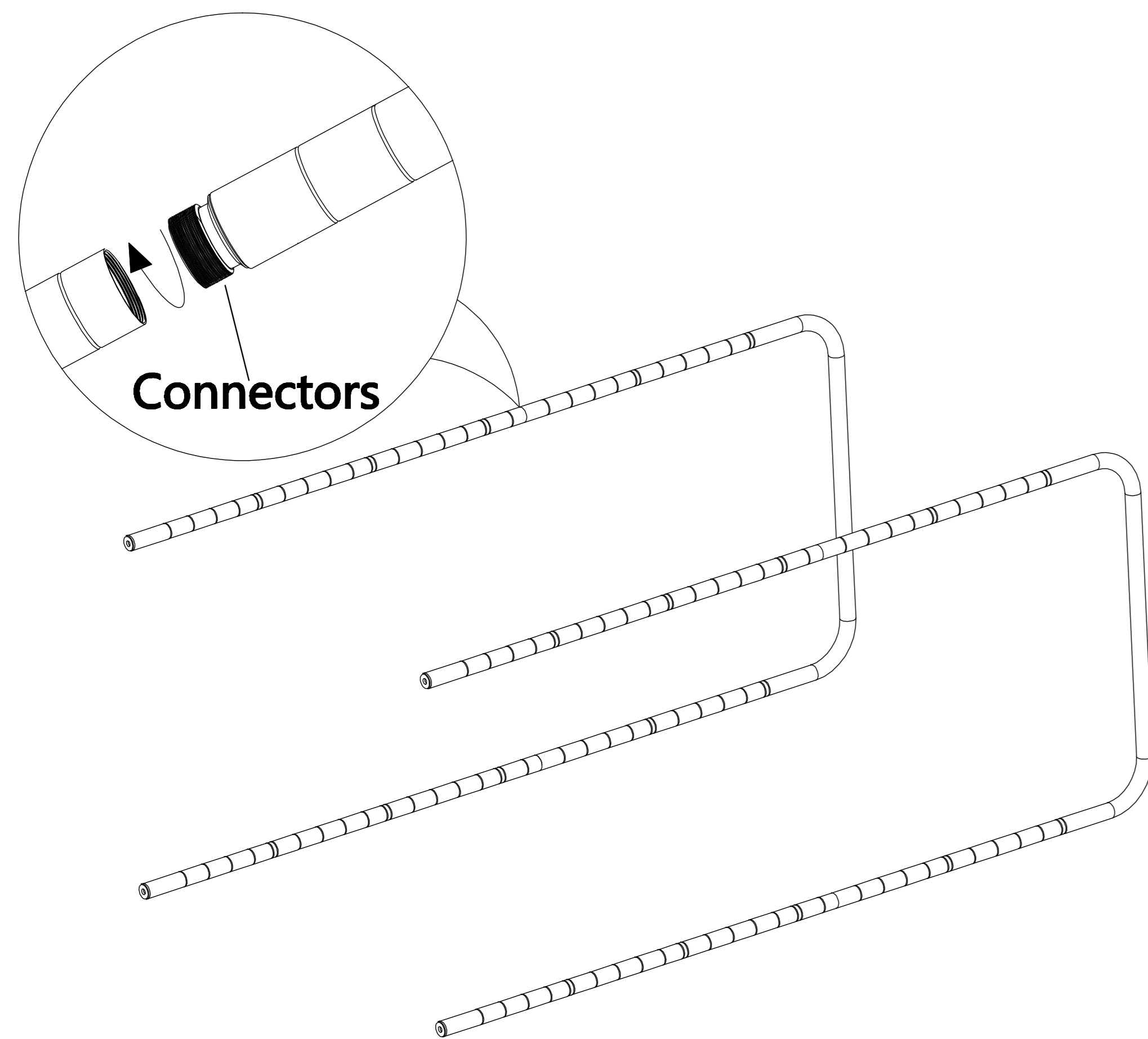
2.Estimated Assembly Time :Approximately 15-20 minutes.

3.Helpful Tools(not included):Rubber Mallet.

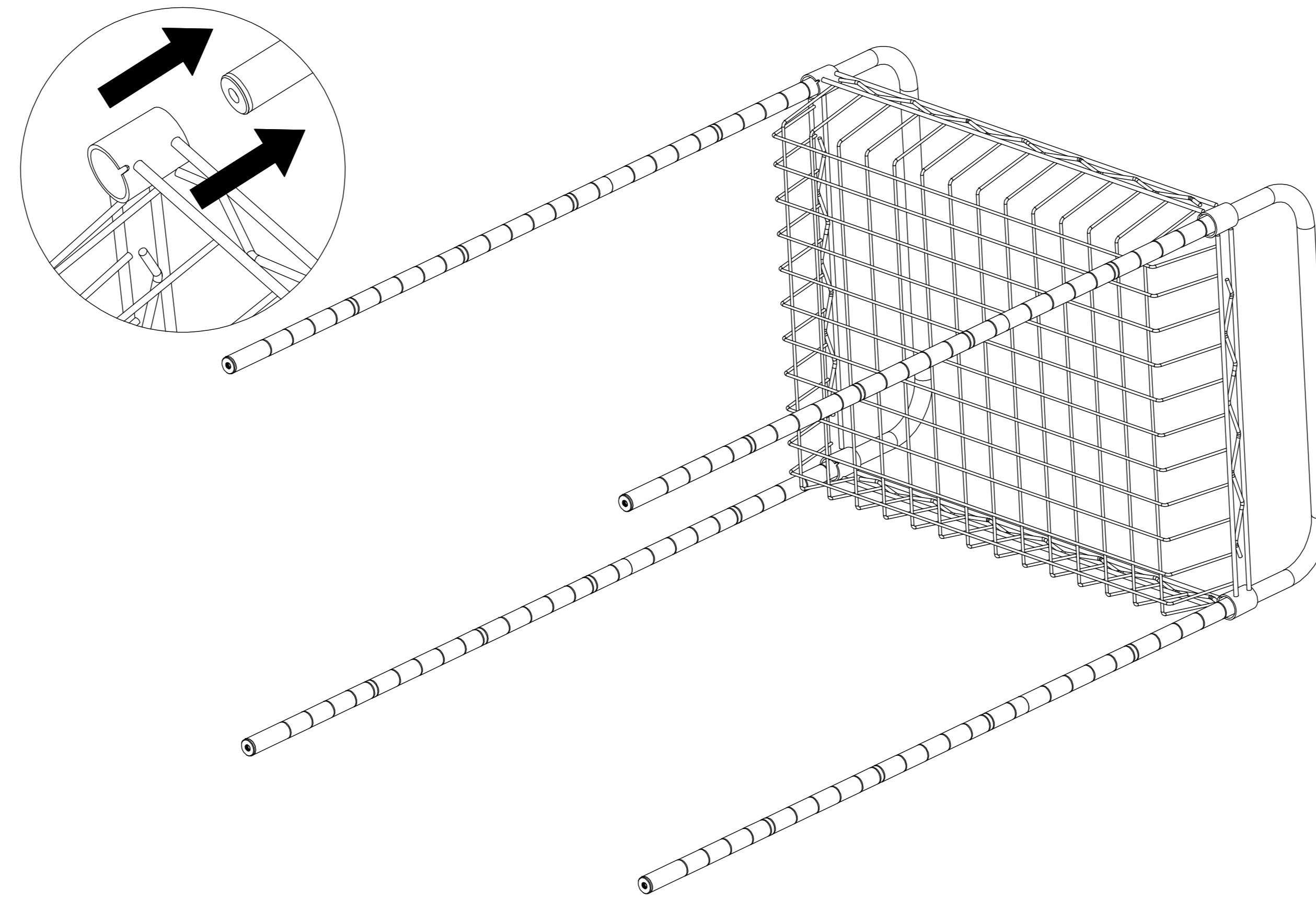
4.Tools Required for Assembly (included): Wrench

Assembly Steps:

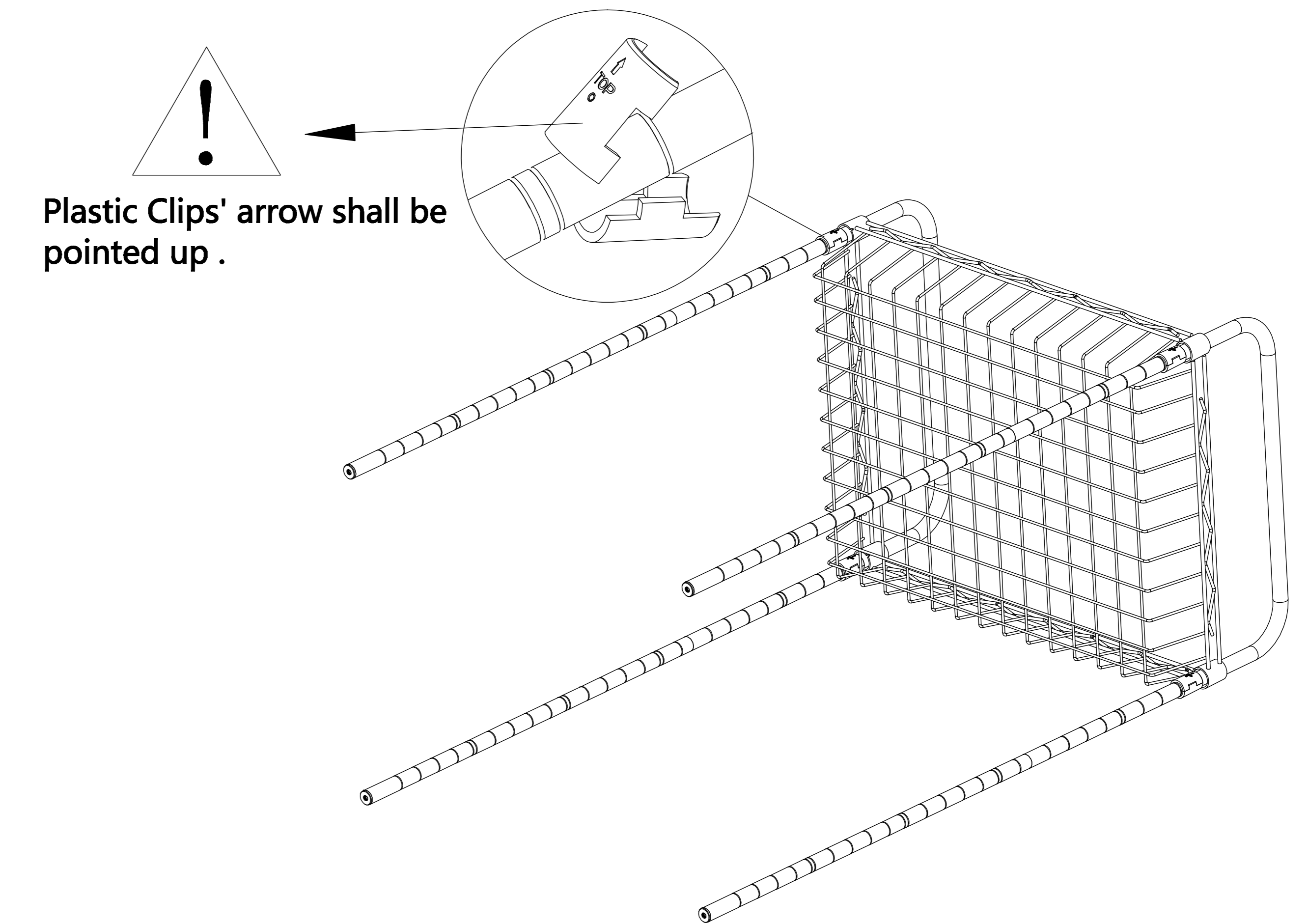
- ① Screw Lower Poles (B) into Upper Handle(C) by screw connectors which is already assembled on the upper handle.



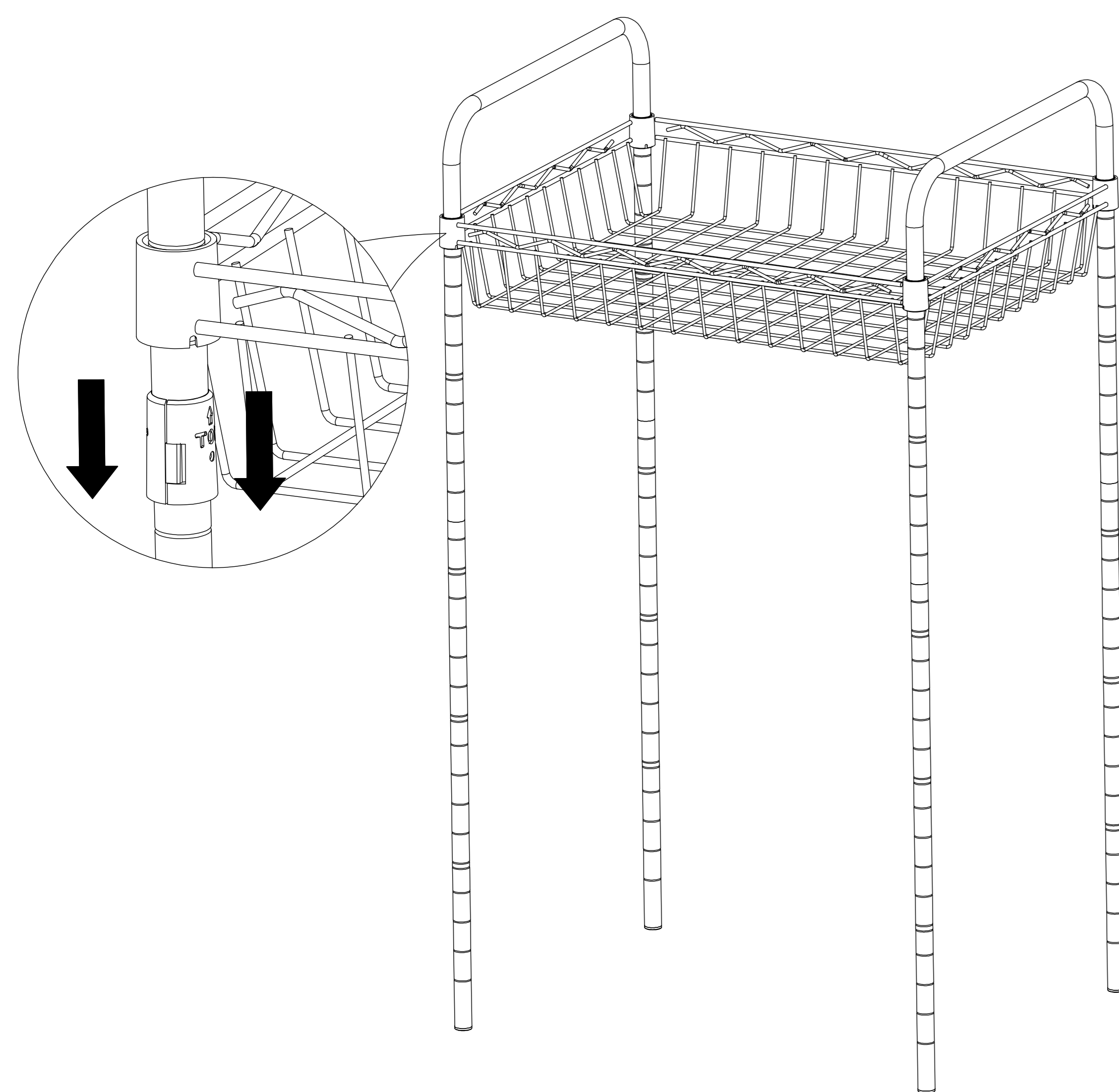
- ② Please make sure that you have the Wire Shelf (A) the correct way up, then insert the assembled U-shaped poles into the four collar of wire shelf.



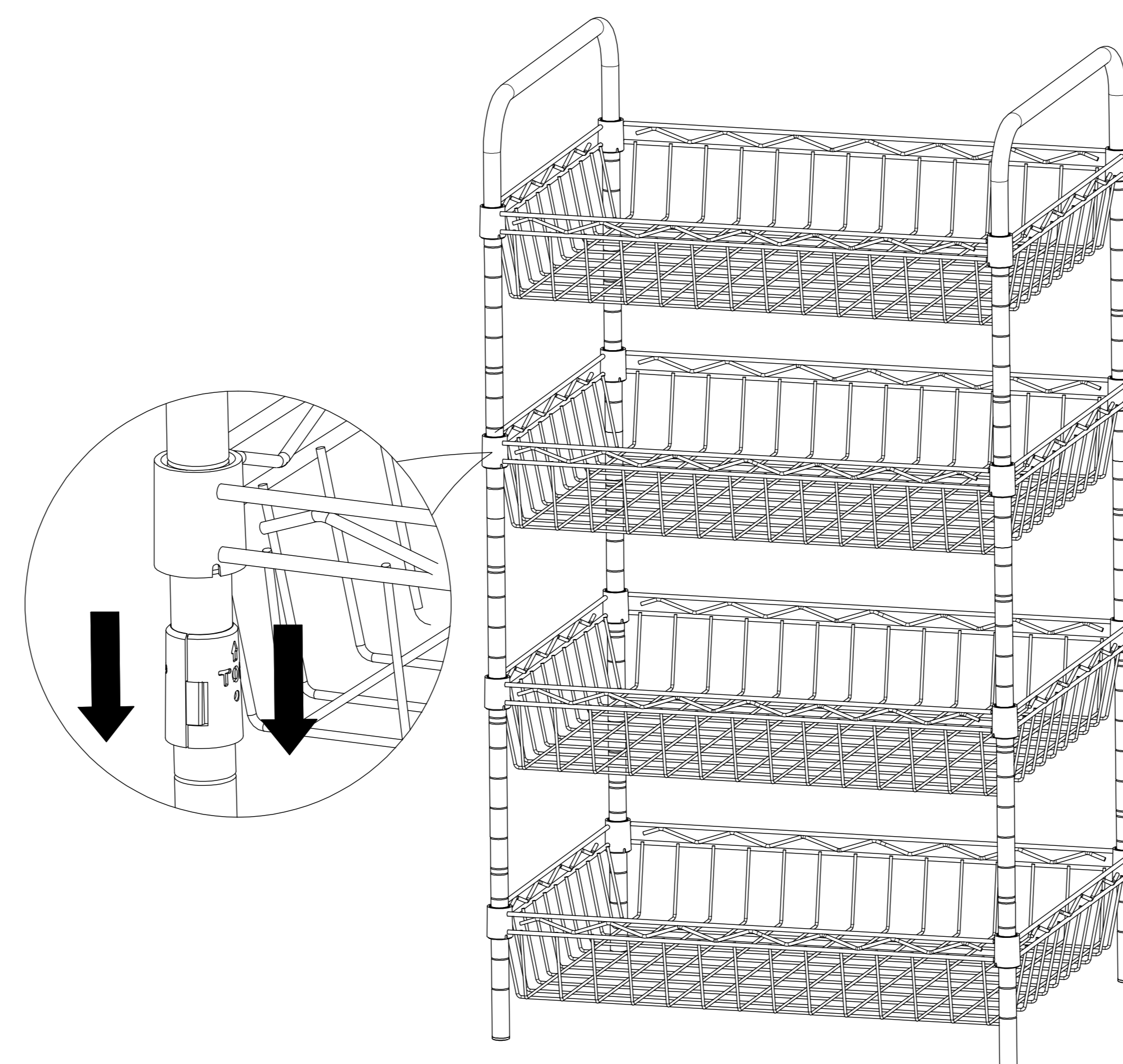
- ③ Snap the Plastic Clips(D) into the grooves of assembled U-shaped poles at your desired position for the wire basket, make sure that the plastic clips is under the wire basket and it's arrow pointed up.



- ④ Set the whole rack upright, and press the wire basket firmly down onto the plastic clips.



- ⑤ Repeat the step ② and the step ③ to assemble the rest three wire baskets.



- ⑥ Screw the Nylon Casters(E) into the bottom of poles at clockwise direction. Pushing firmly down on every basket at corners by rubber mallet to ensure the basket in a place over the plastic clips.

