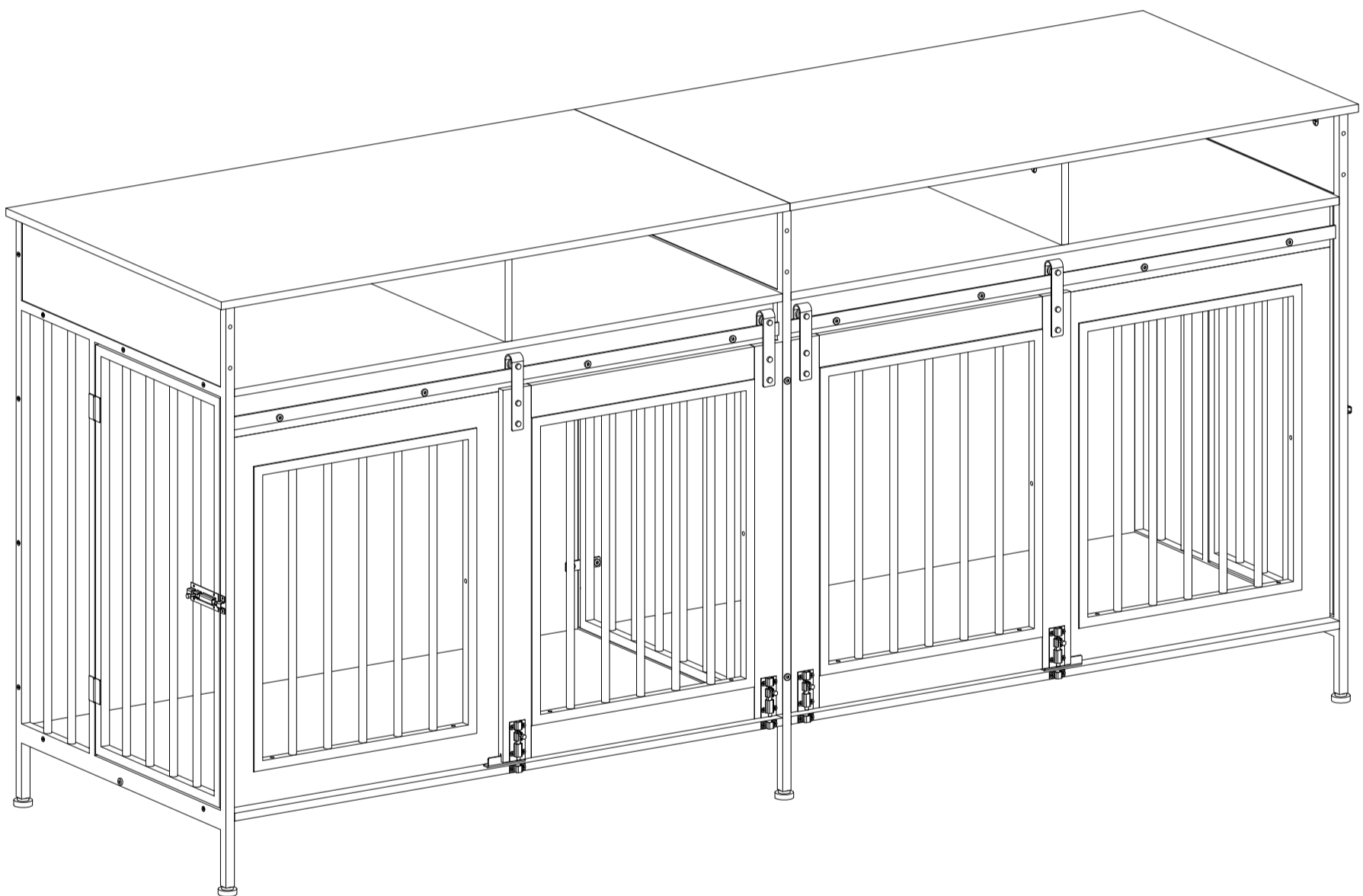


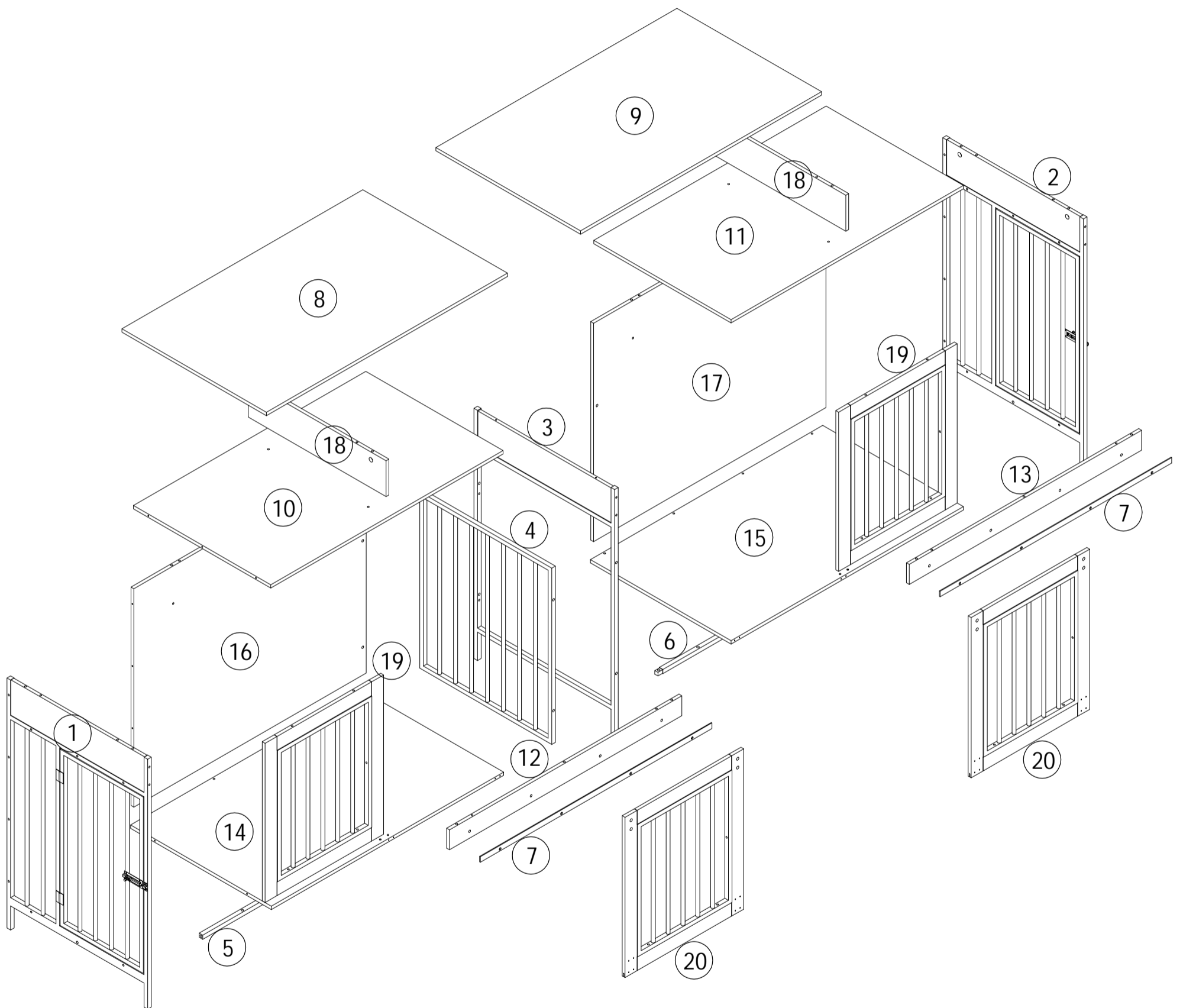
Assembly Instruction



Note:

When you are assembling the shelf, please do not overtighten the screws. After you confirm that the shelf assembly is complete, please tighten the screw at this time.

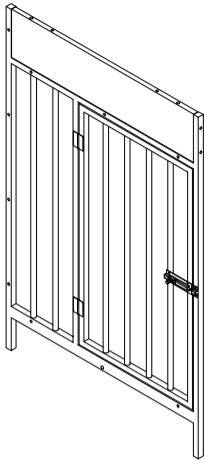
Parts List(EN)/Teile Liste(DE)



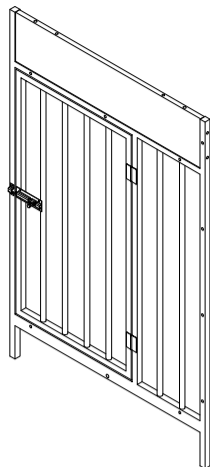
Note:

When you are assembling the shelf, please do not overtighten the screws. After you confirm that the shelf assembly is complete, please tighten the screw at this time.

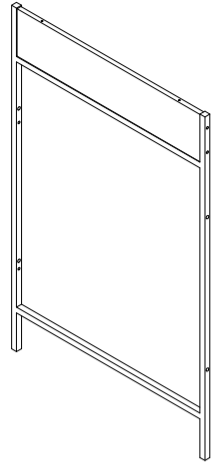
Parts List(EN)/Teile Liste(DE)



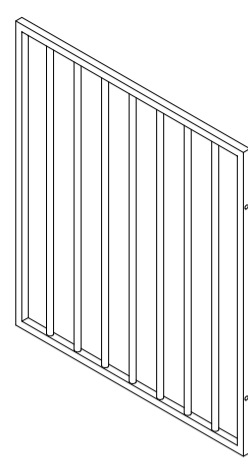
① X 1PC



② X 1PC



③ X 1PC



④ X 1PC



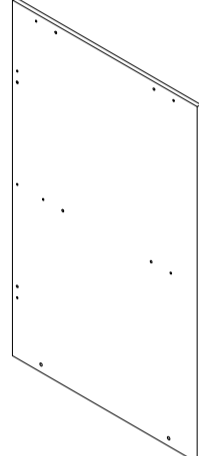
⑤ X 1PC



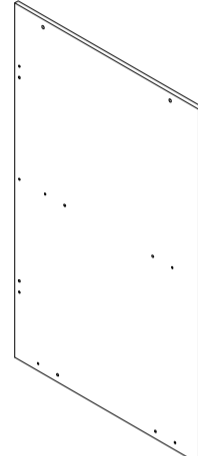
⑥ X 1PC



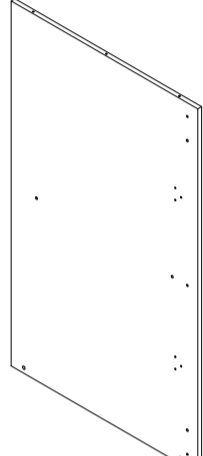
⑦ X 2PCS



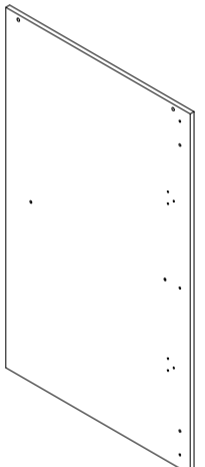
⑧ X 1PC



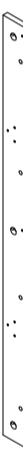
⑨ X 1PC



⑩ X 1PC



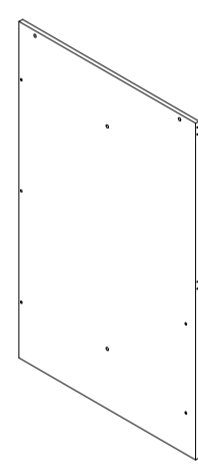
⑪ X 1PC



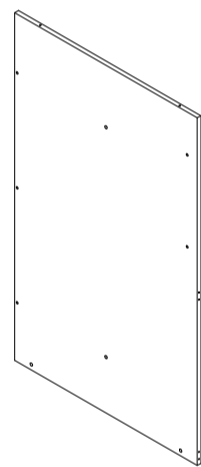
⑫ X 1PC



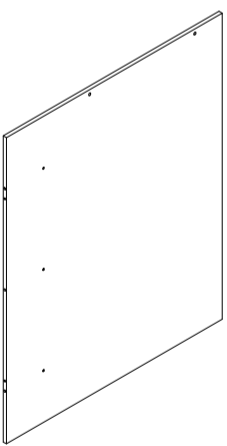
⑬ X 1PC



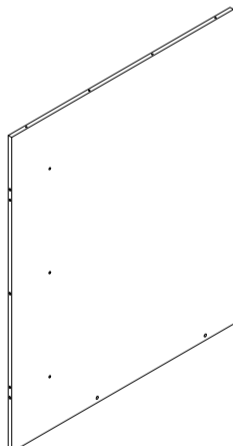
⑭ X 1PC



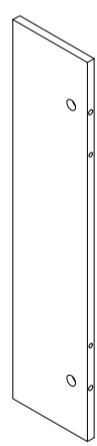
⑮ X 1PC



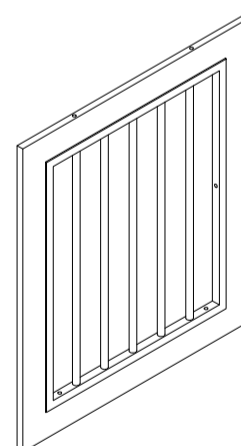
⑯ X 1PC



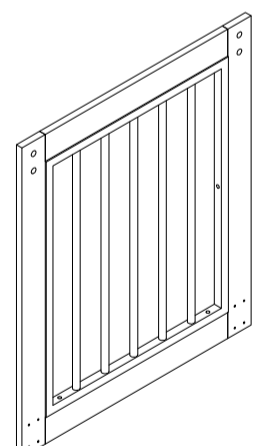
⑰ X 1PC



⑱ X 2PCS

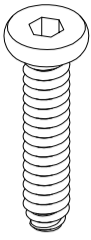
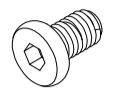
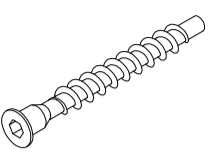
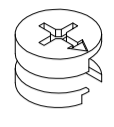
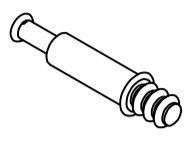
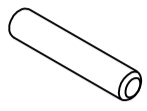

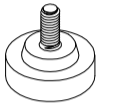
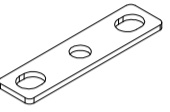
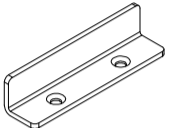
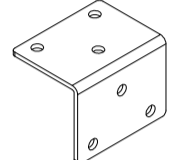

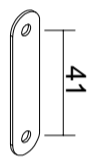
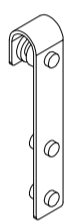
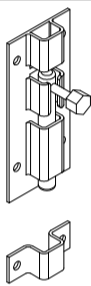
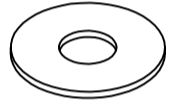
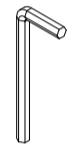

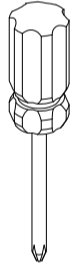


⑲ X 2PCS



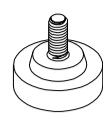
⑳ X 2PCS

Hardware List(EN)/Teile Liste(DE)

<p>A</p>  <p>M6*25 19+1PCS</p>	<p>B</p>  <p>M6*10 30+2PCS</p>	<p>C</p>  <p>M5*40 40+2PCS</p>	<p>D</p>  <p>Ø15*10 20+1PCS</p>	<p>E</p>  <p>Ø6*35 20+1PCS</p>	<p>F</p>  <p>M6*30 20+2PCS</p>
<p>G</p>  <p>M3.5*12 60+5PCS</p>	<p>H</p>  <p>Ø28*M6*15 6PCS</p>	<p>I</p>  <p>60*15*2.0 8PCS</p>	<p>J</p>  <p>65*15*15 2 PCS</p>	<p>K</p>  <p>48*36*36 4 PCS</p>	<p>L</p>  <p>8+1PCS</p>
<p>M</p>  <p>41 4PCS</p>	<p>N</p>  <p>117*20*20 4PCS</p>	<p>O</p>  <p>O1x4 O2x4 4PCS</p>	<p>P</p>  <p>5+1PCS</p>	<p>Q</p>  <p>M3 1PC</p>	<p>R</p>  <p>M4 1PC</p>
<p>S</p>  <p>1PC</p>					

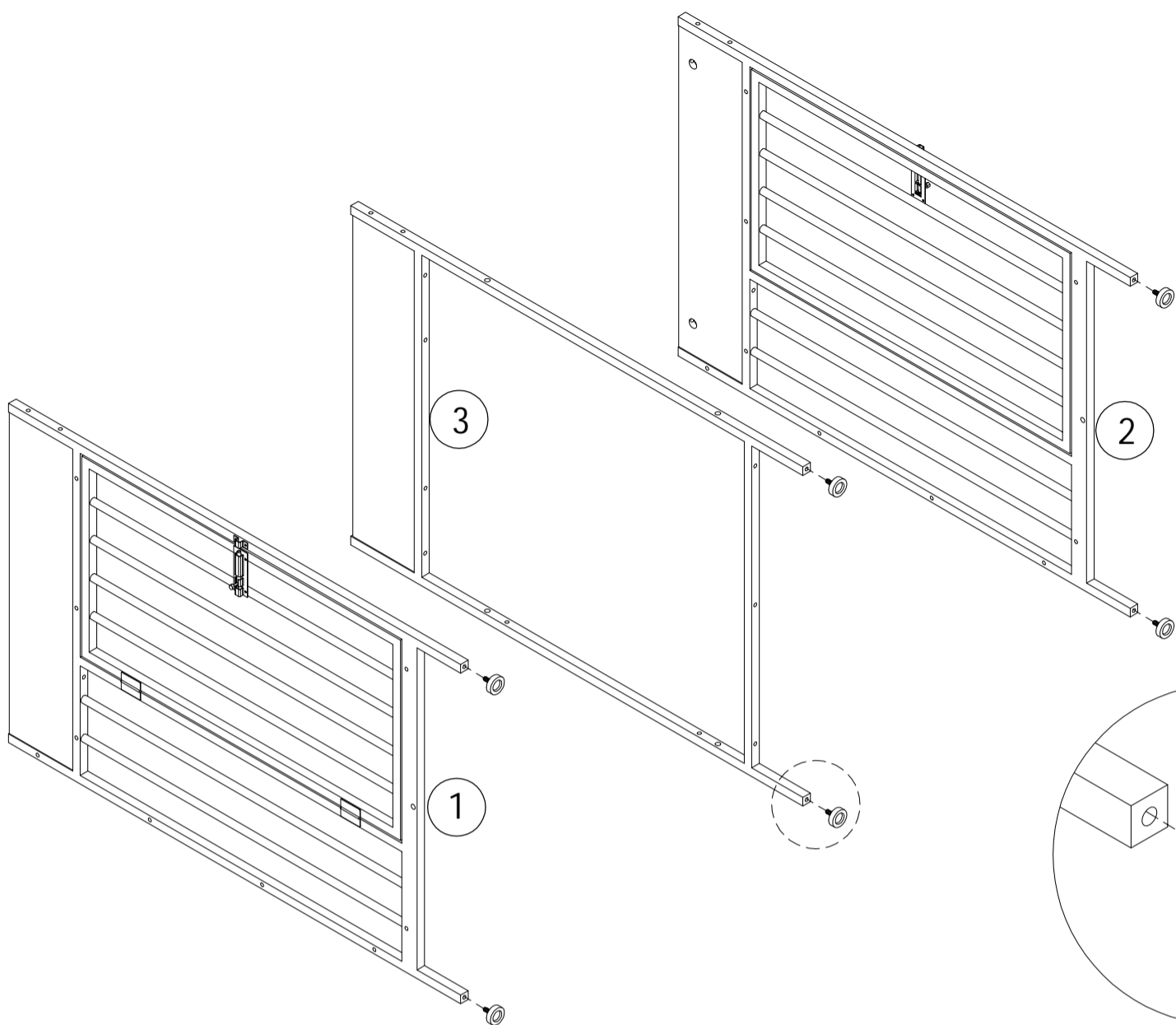
Assembly(EN)/Montageschritte(DE)

Step 1



H

X 6

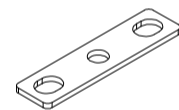


Step 2



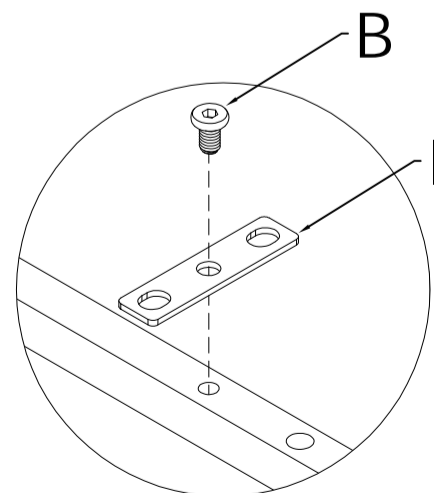
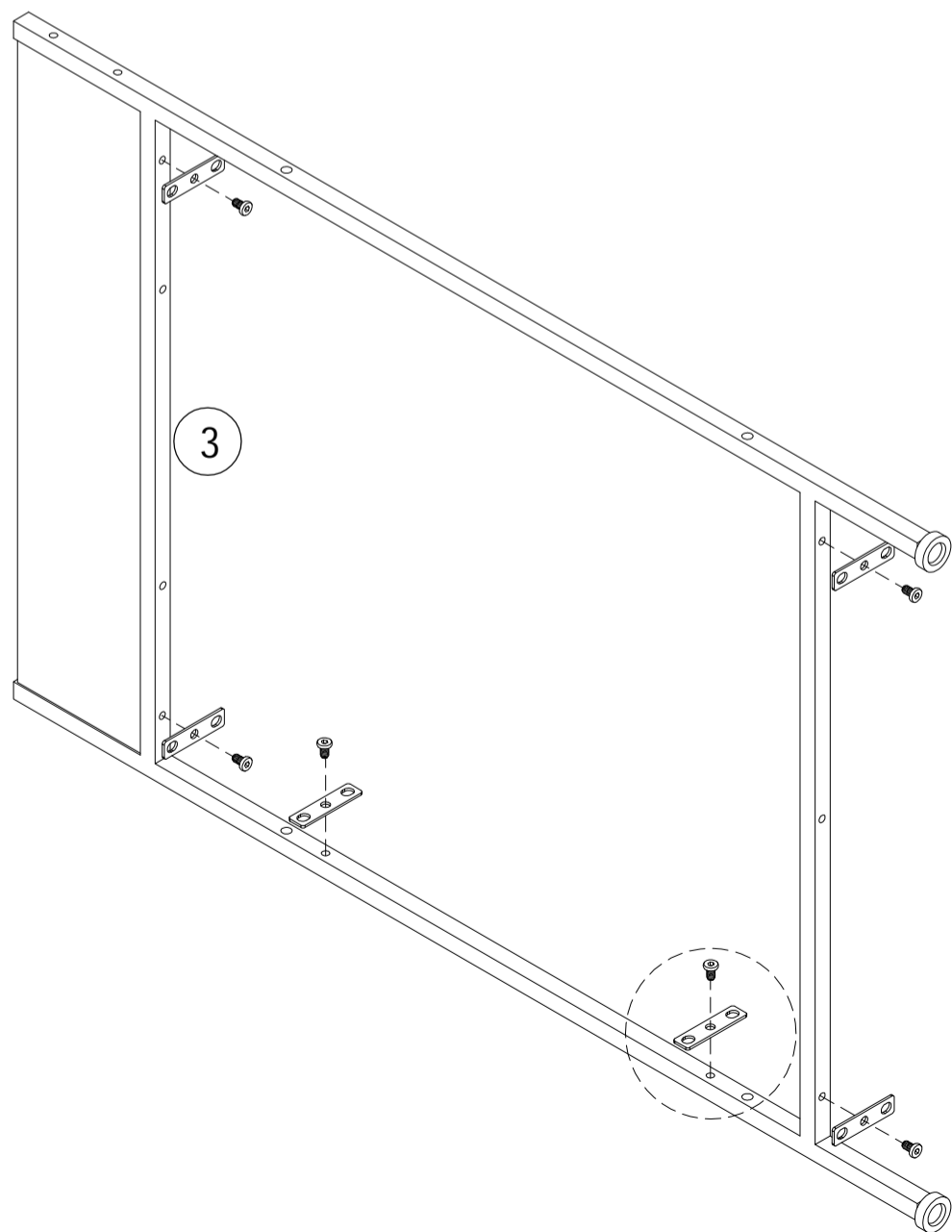
B

X 6

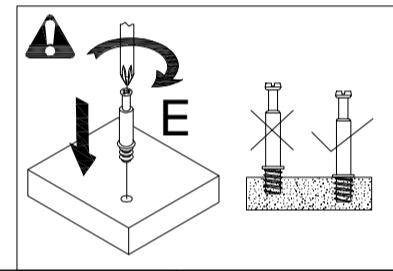
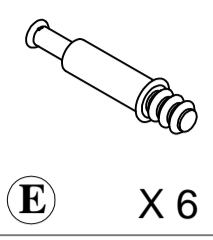
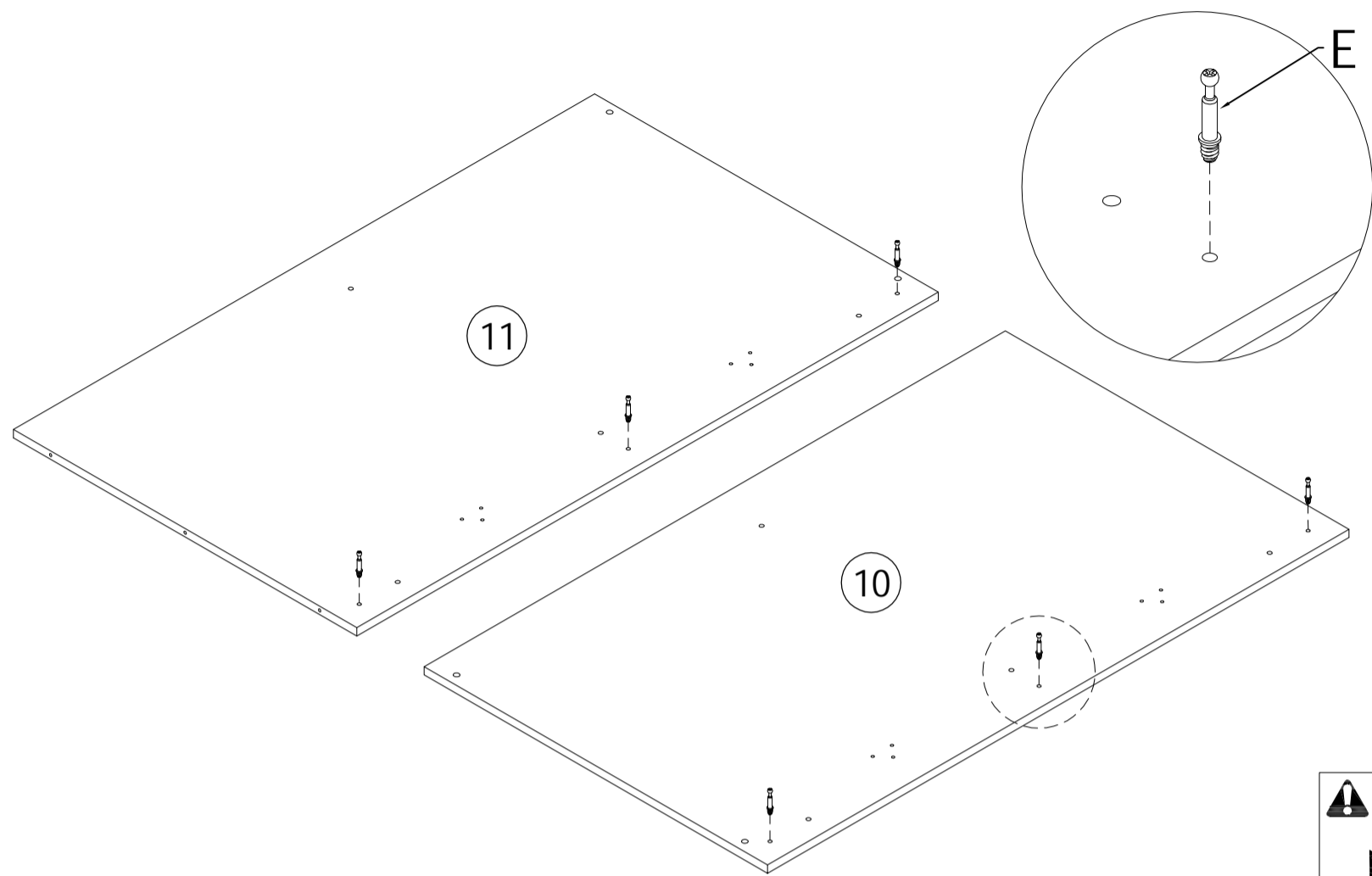


I

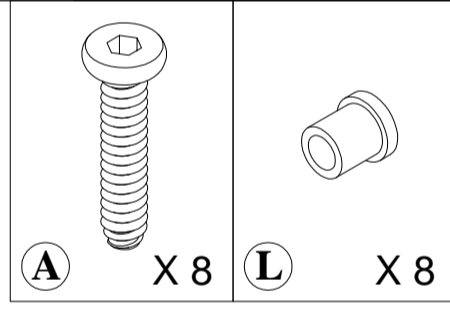
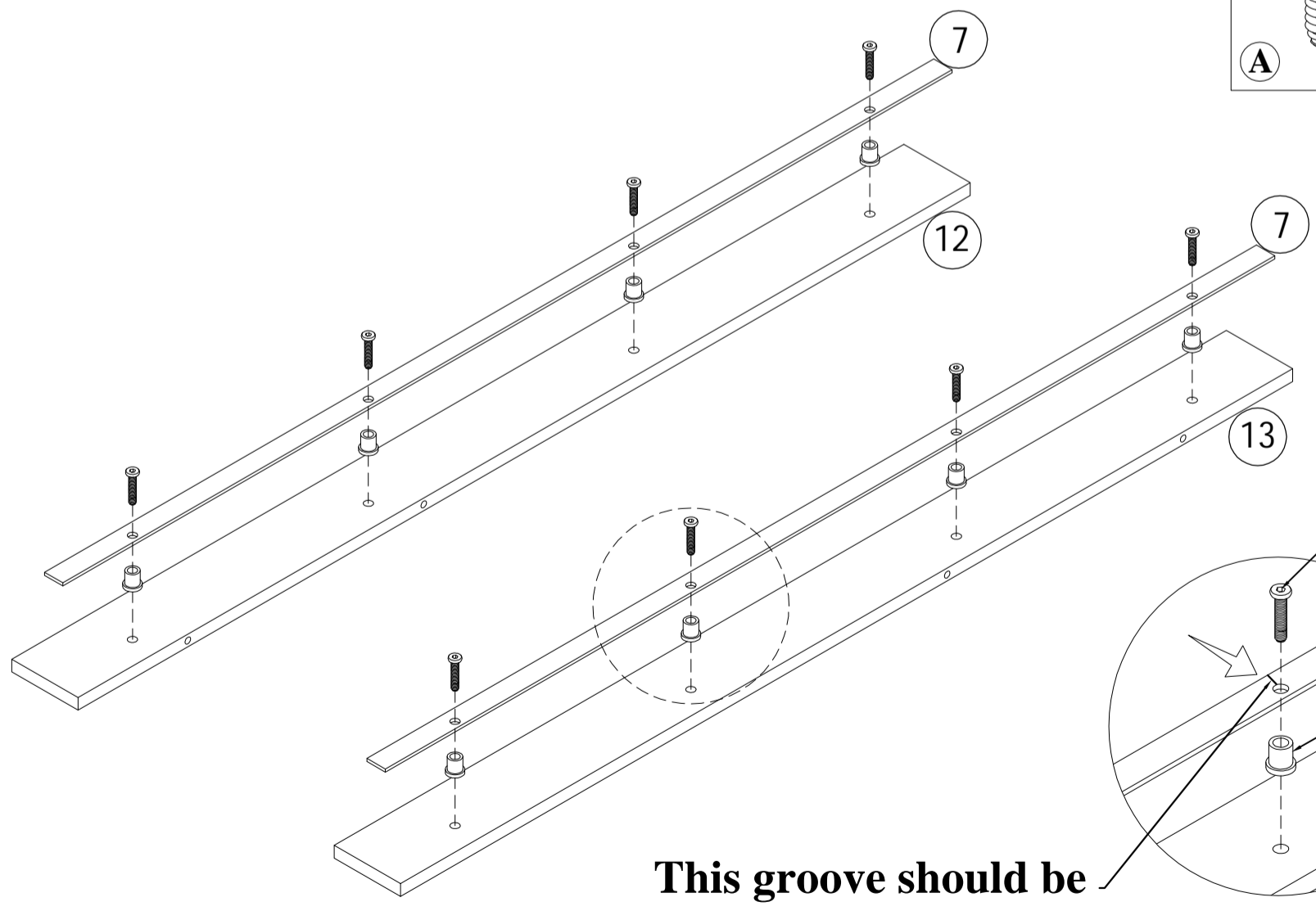
X 6



Step 3



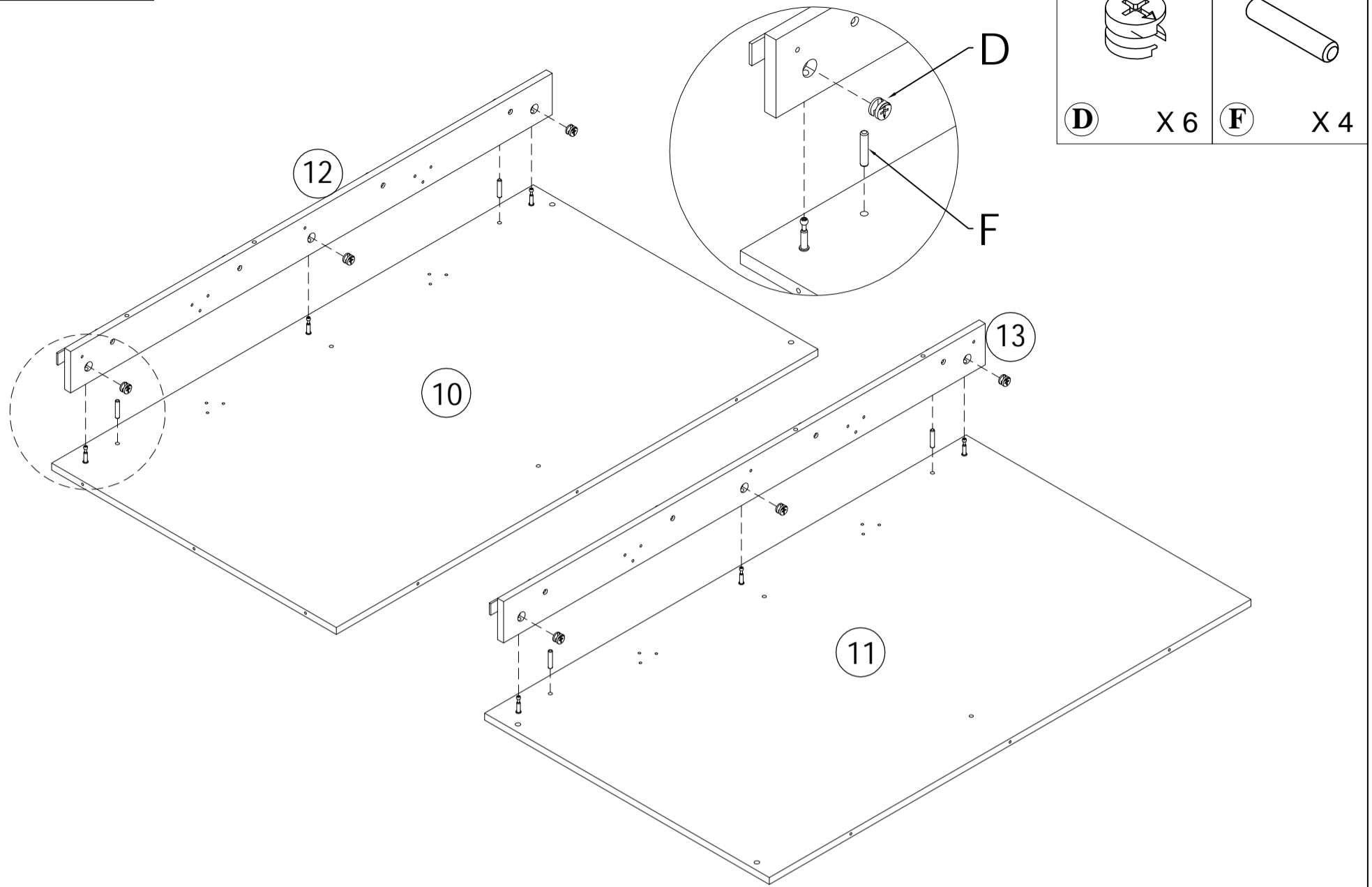
Step 4



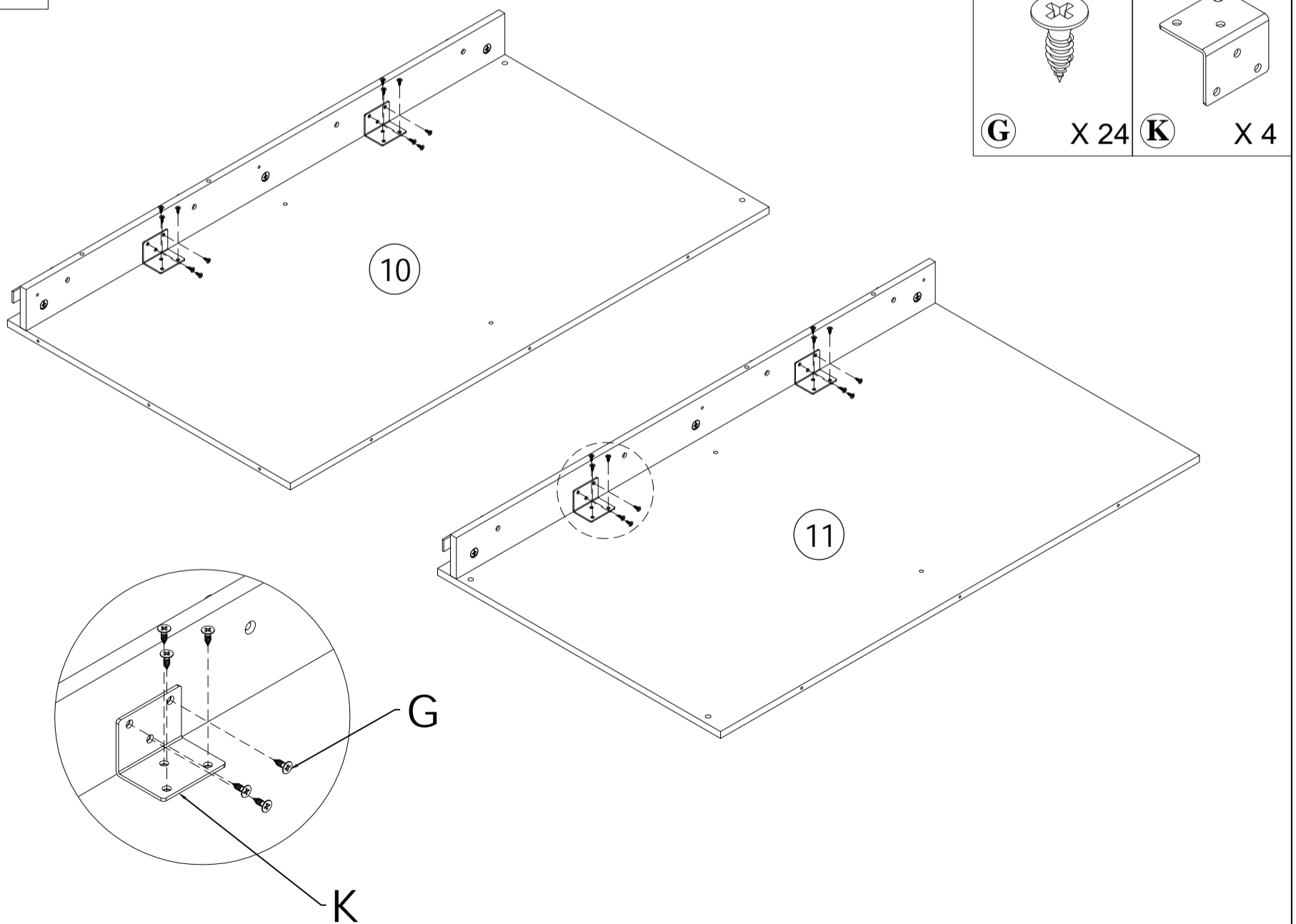
This groove should be wider at the edge

Assembly(EN)/Montageschritte(DE)

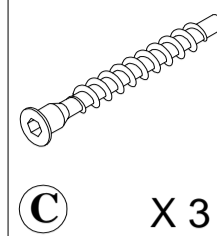
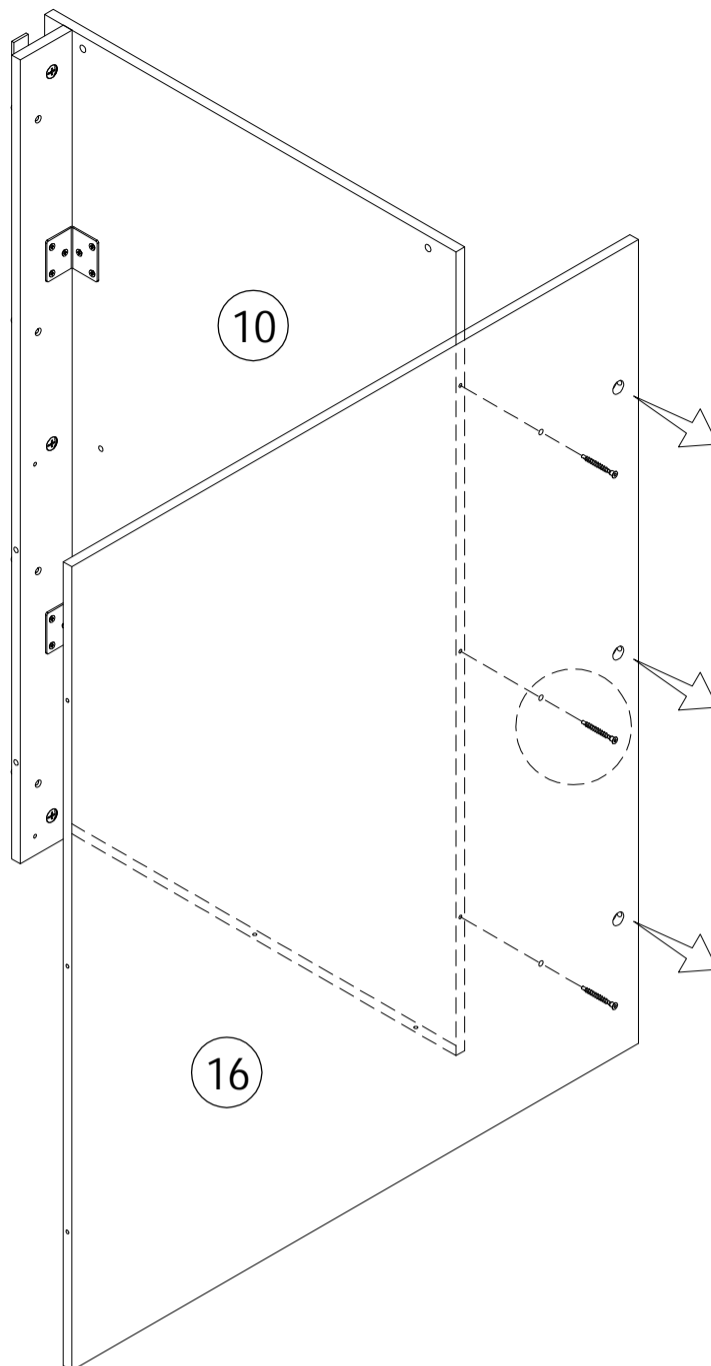
Step 5



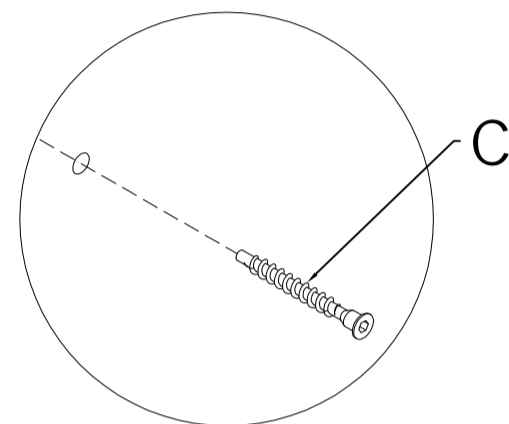
Step 6



Step 7

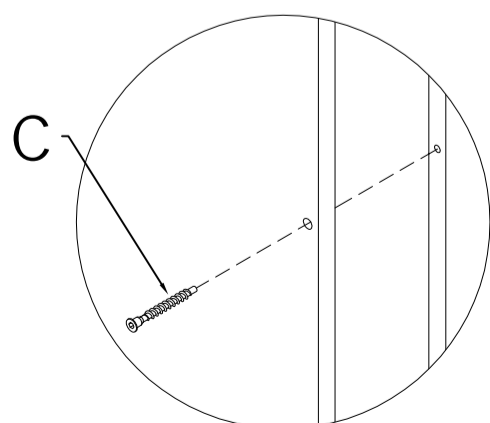
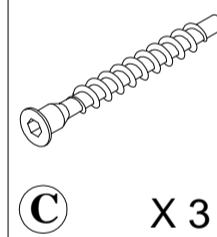
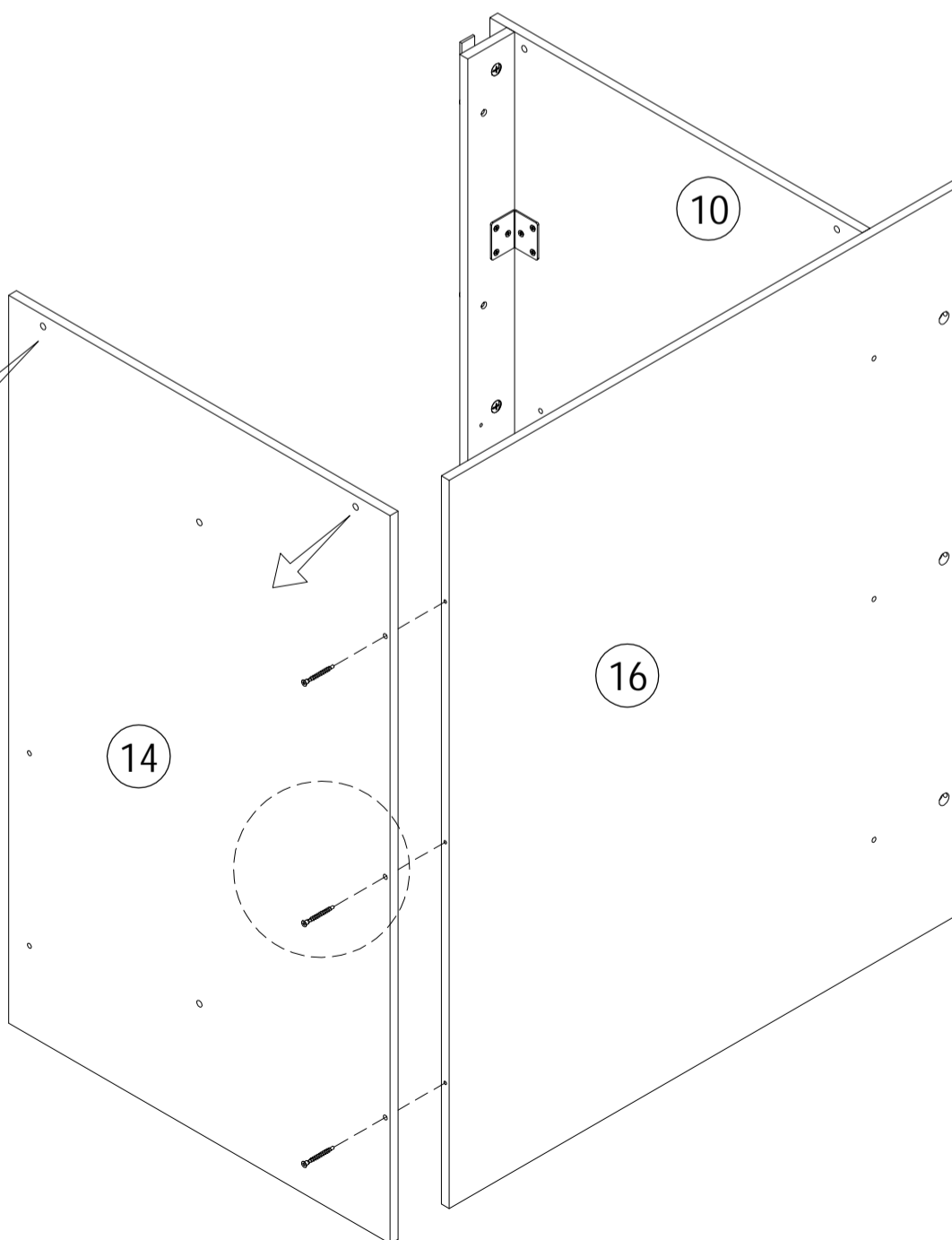


Installation with holes facing in the direction indicated by the arrow



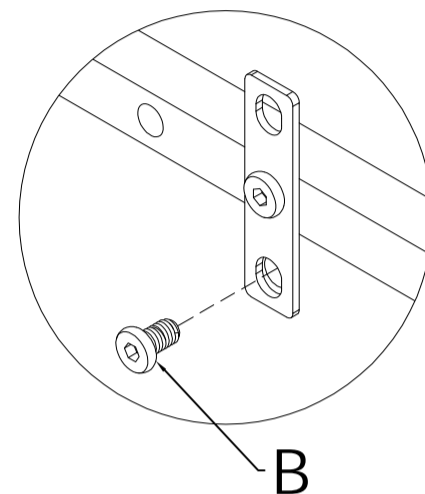
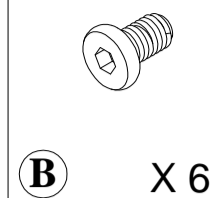
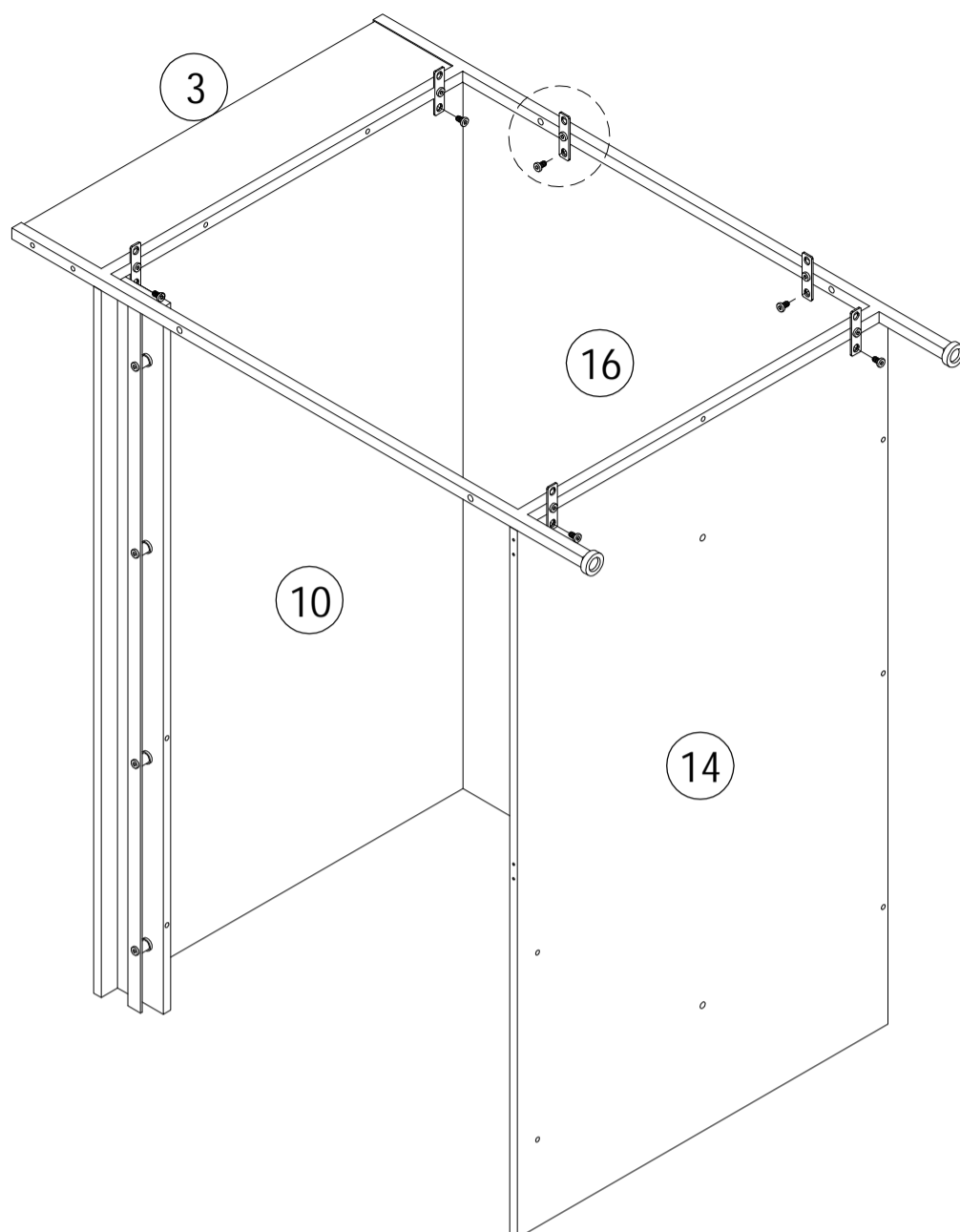
Step 8

Installation with holes facing in the direction indicated by the arrow



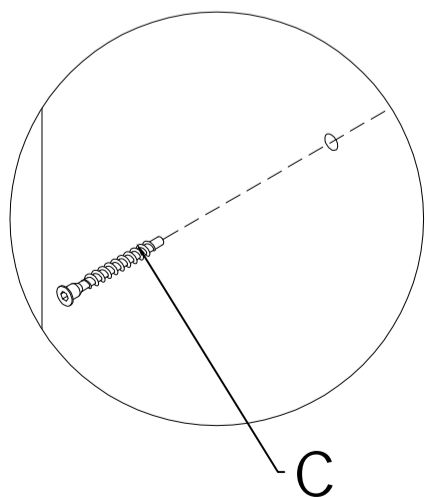
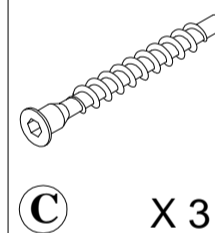
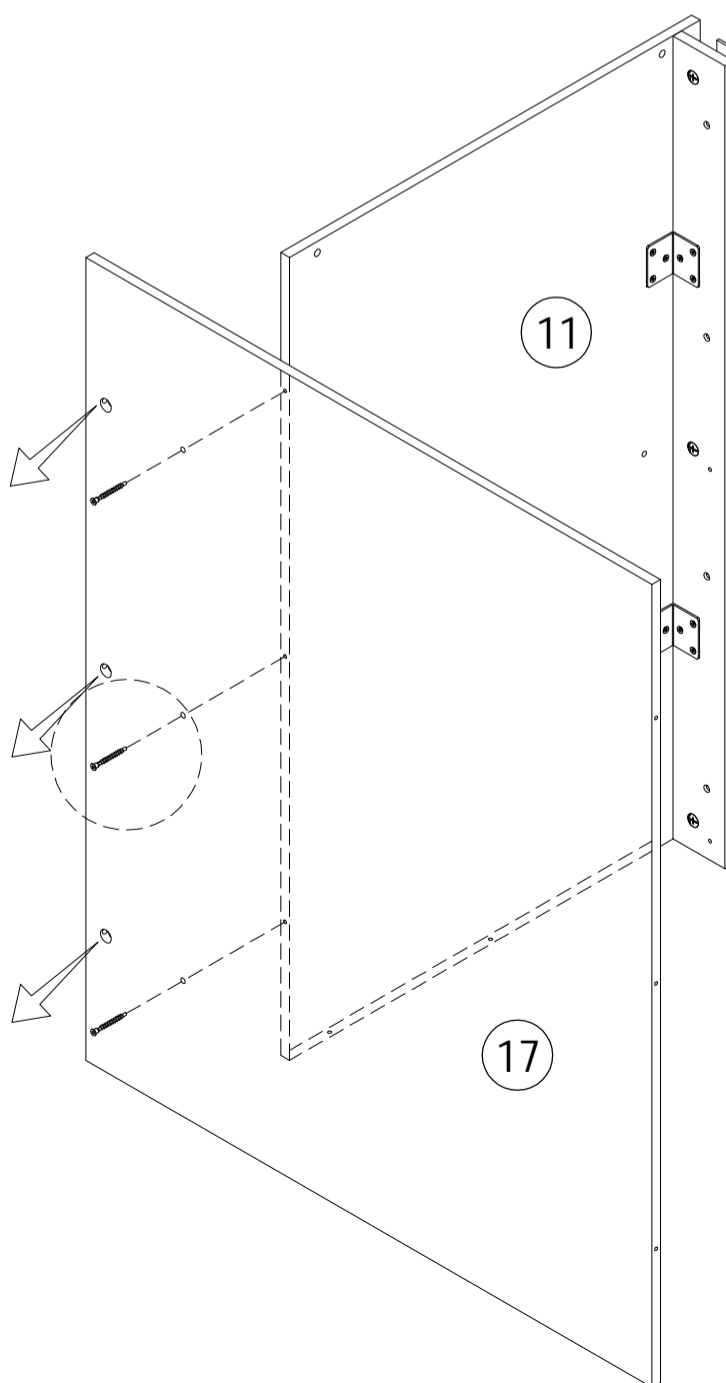
Assembly(EN)/Montageschritte(DE)

Step 9



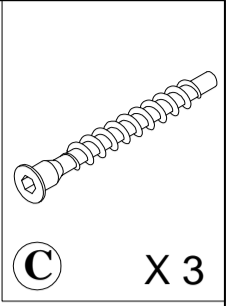
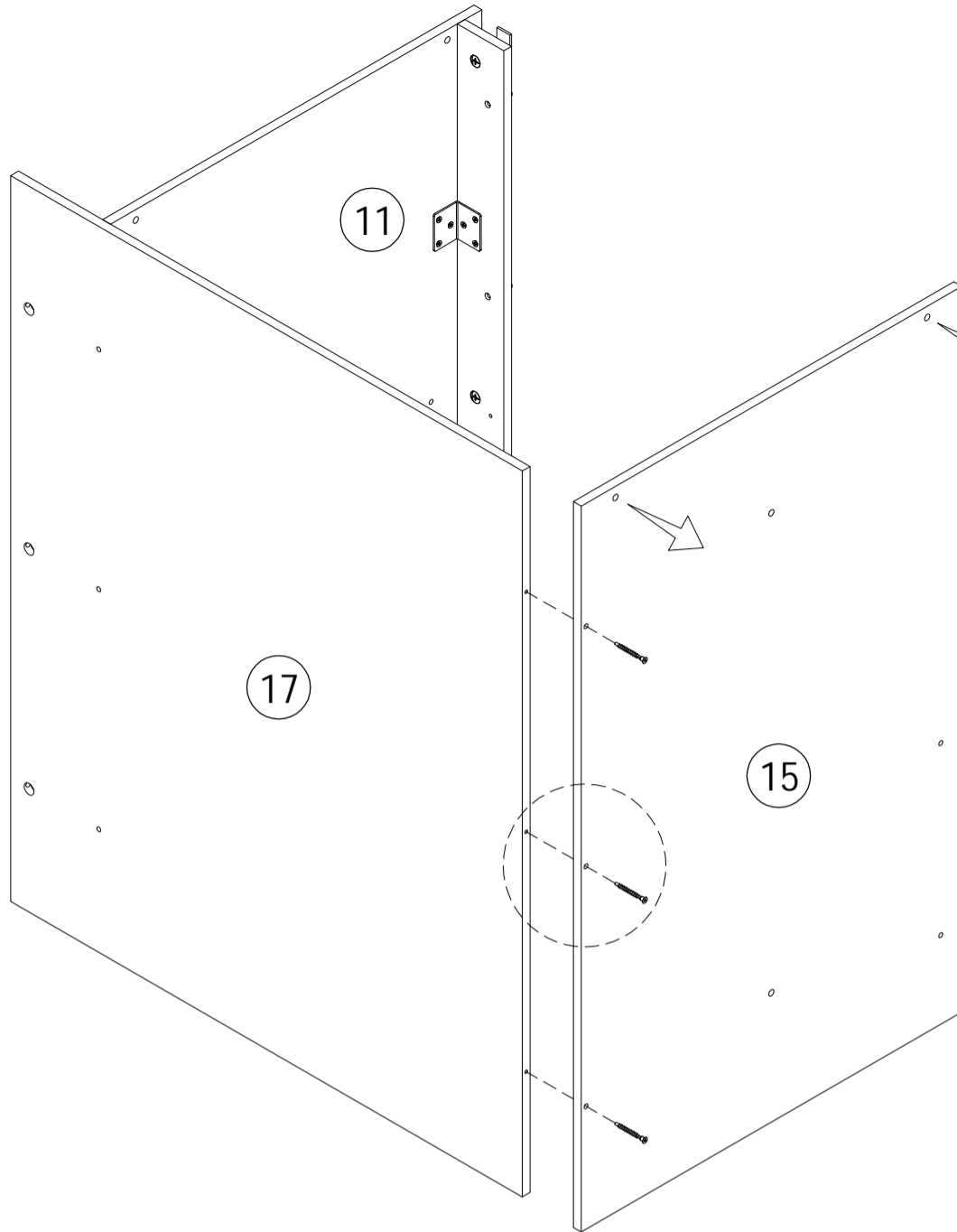
Step 10

Installation with holes facing in the direction indicated by the arrow

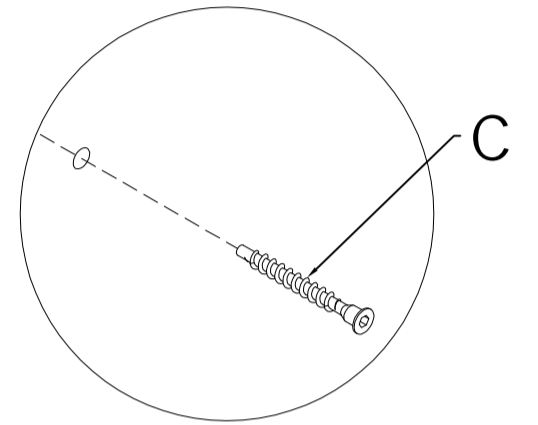


Assembly(EN)/Montageschritte(DE)

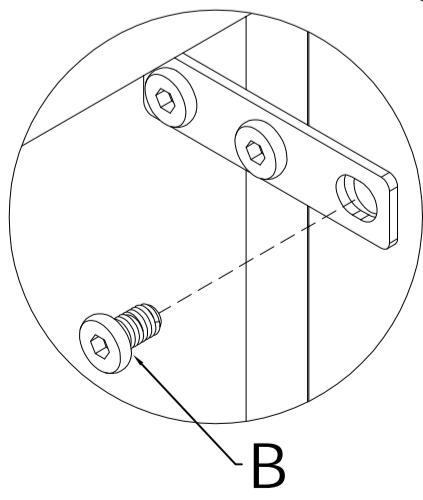
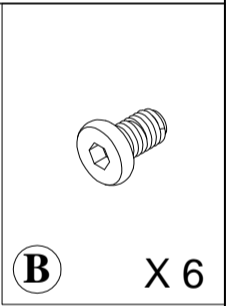
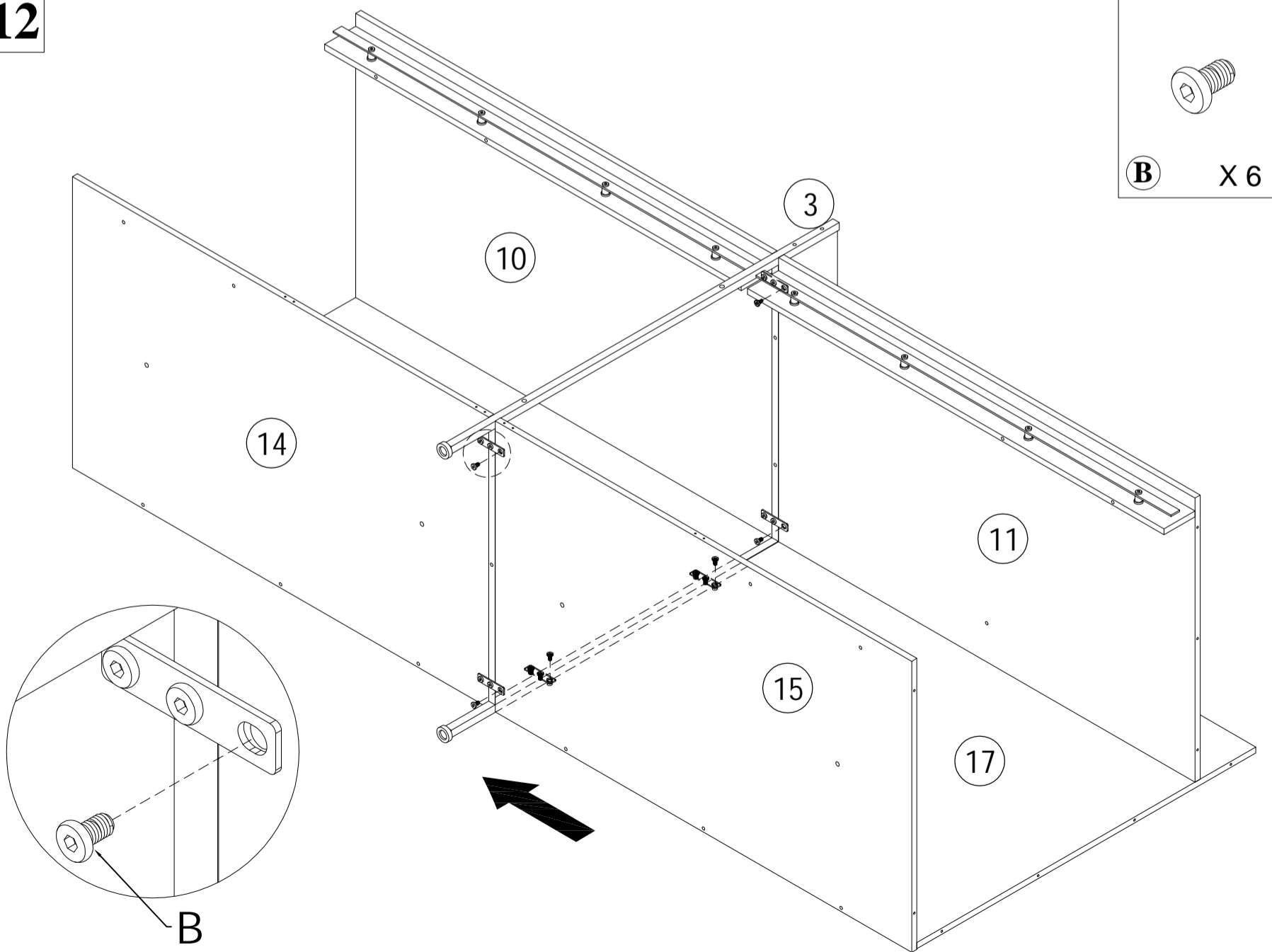
Step 11



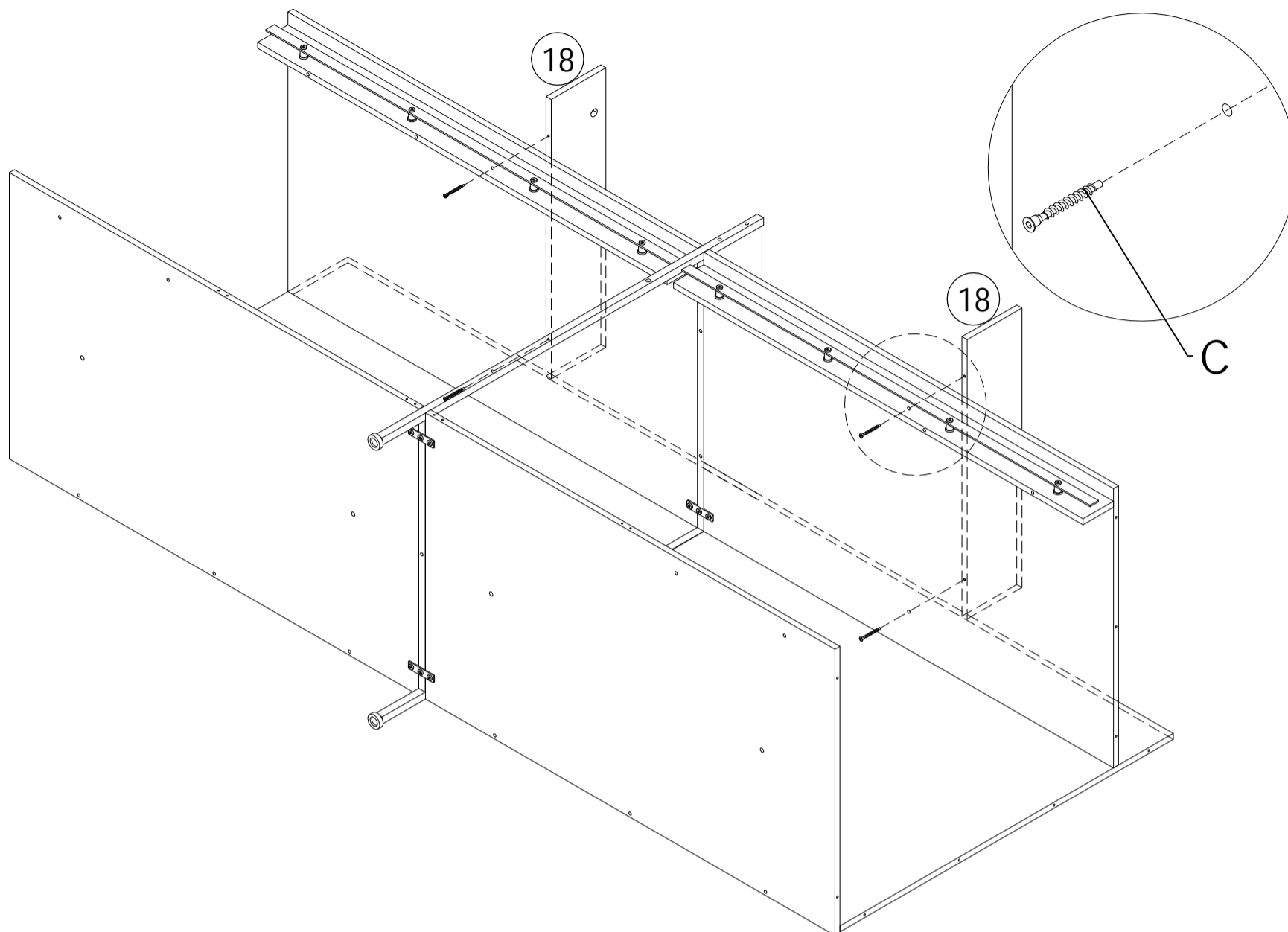
Installation with holes facing in the direction indicated by the arrow



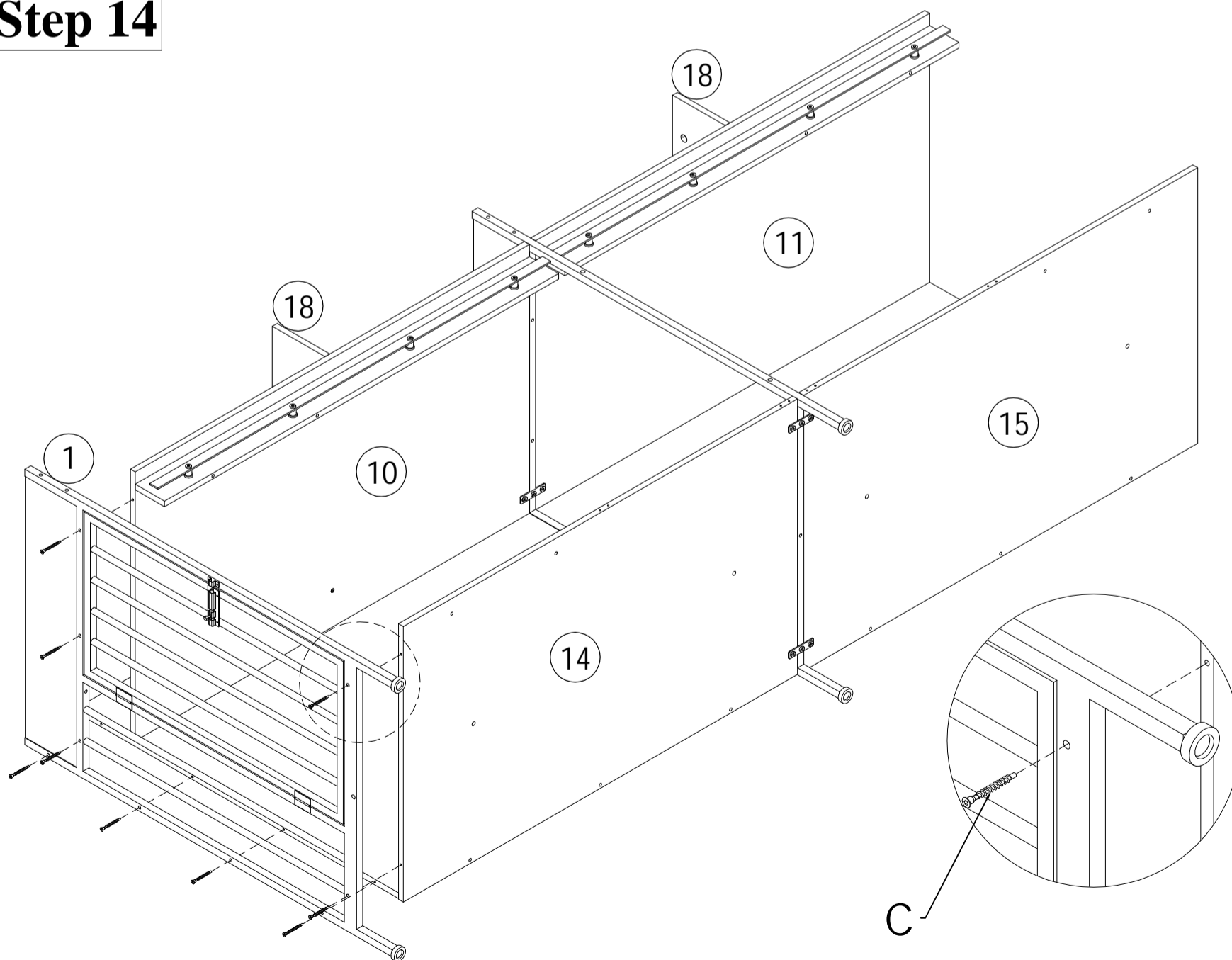
Step 12



Step 13

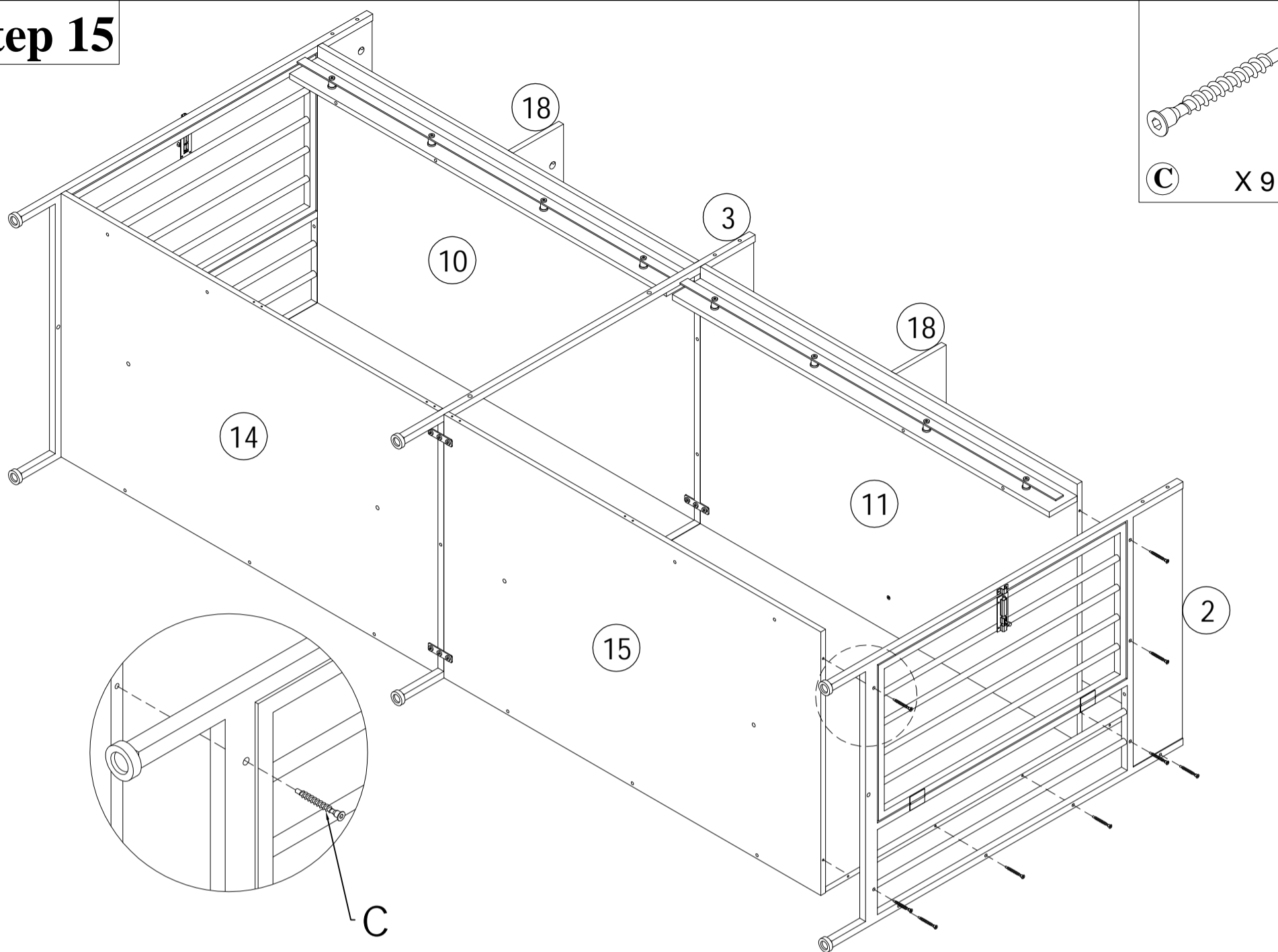


Step 14

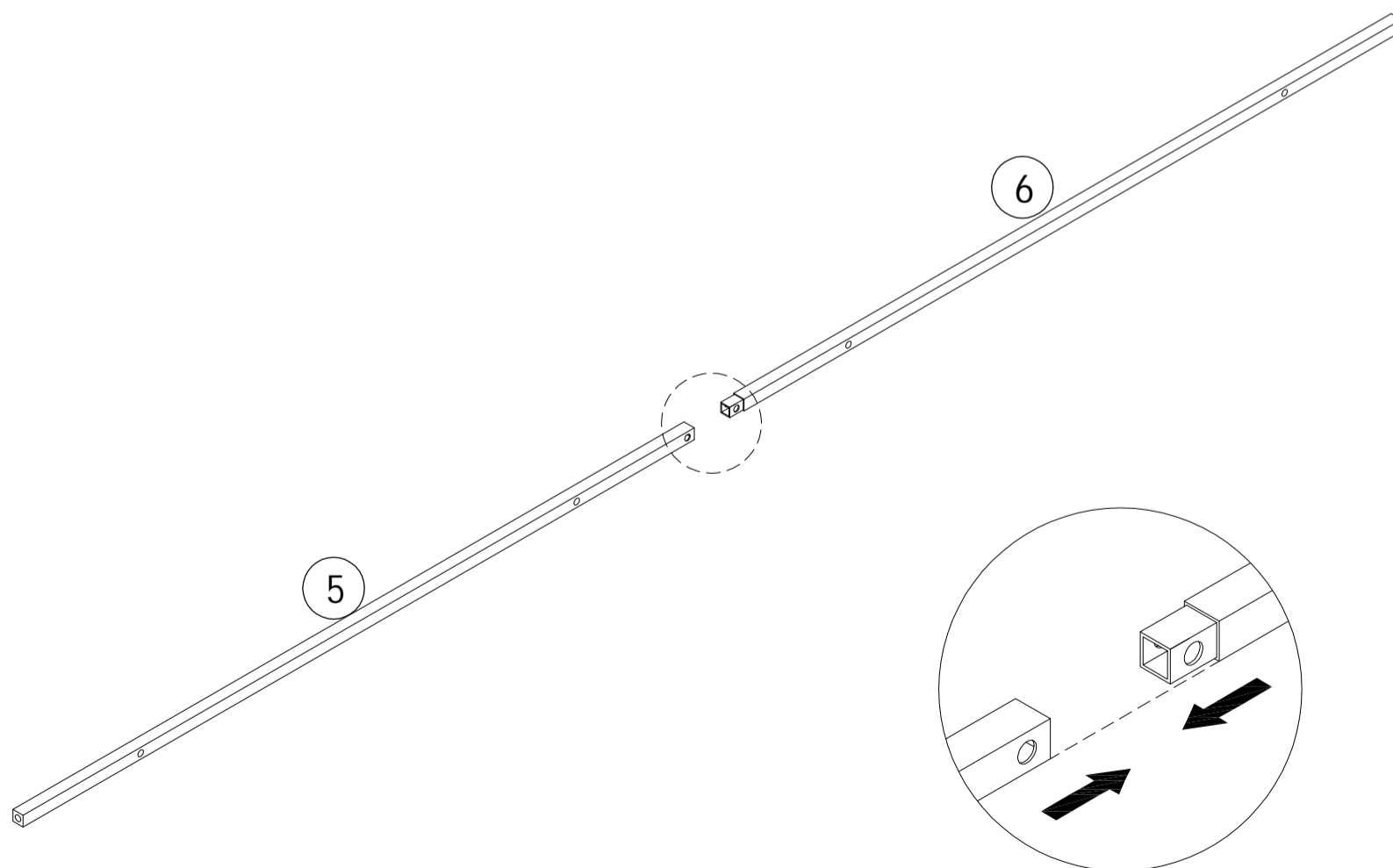


Assembly(EN)/Montageschritte(DE)

Step 15

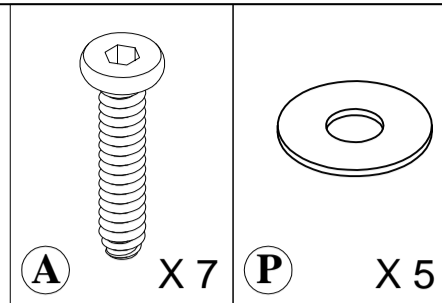
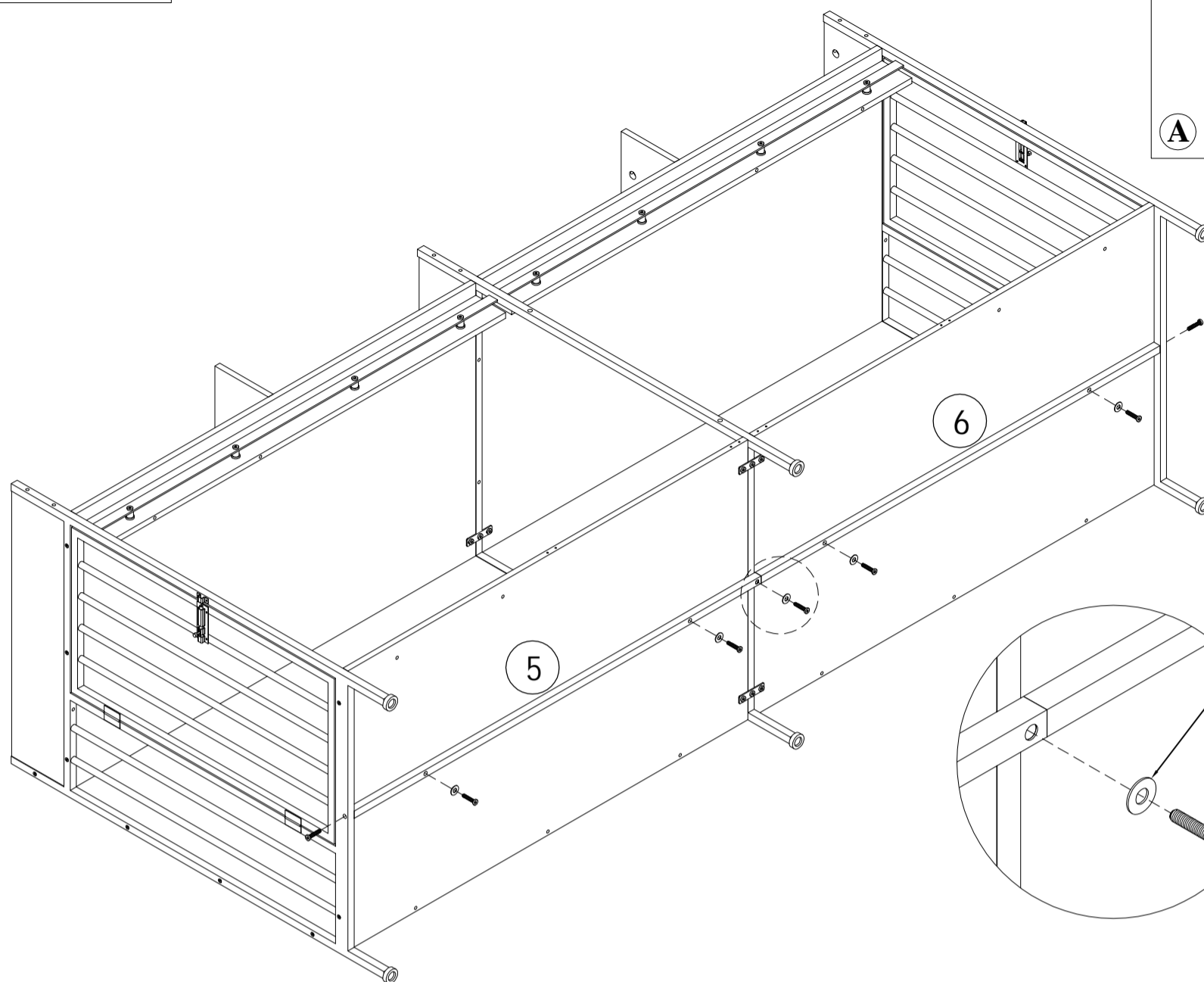


Step 16

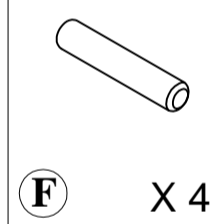
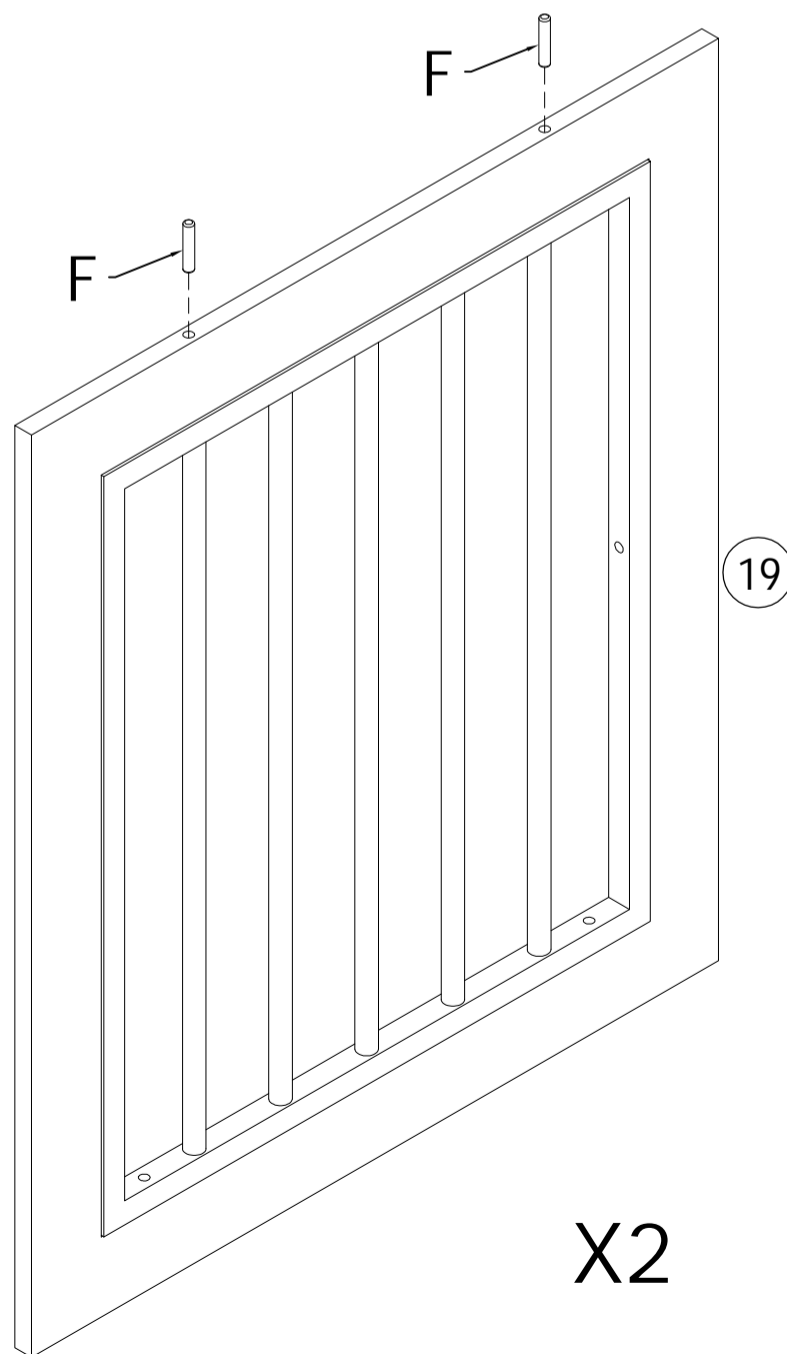


Assembly(EN)/Montageschritte(DE)

Step 17

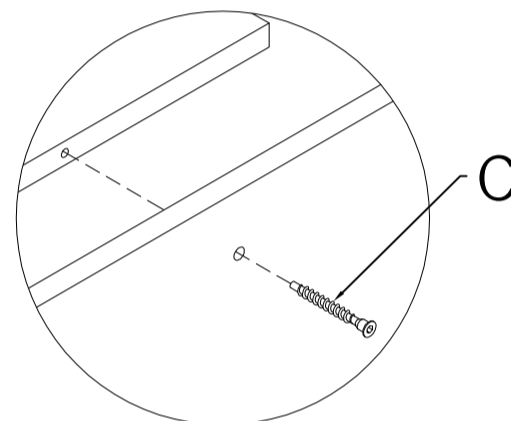
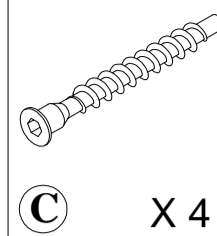
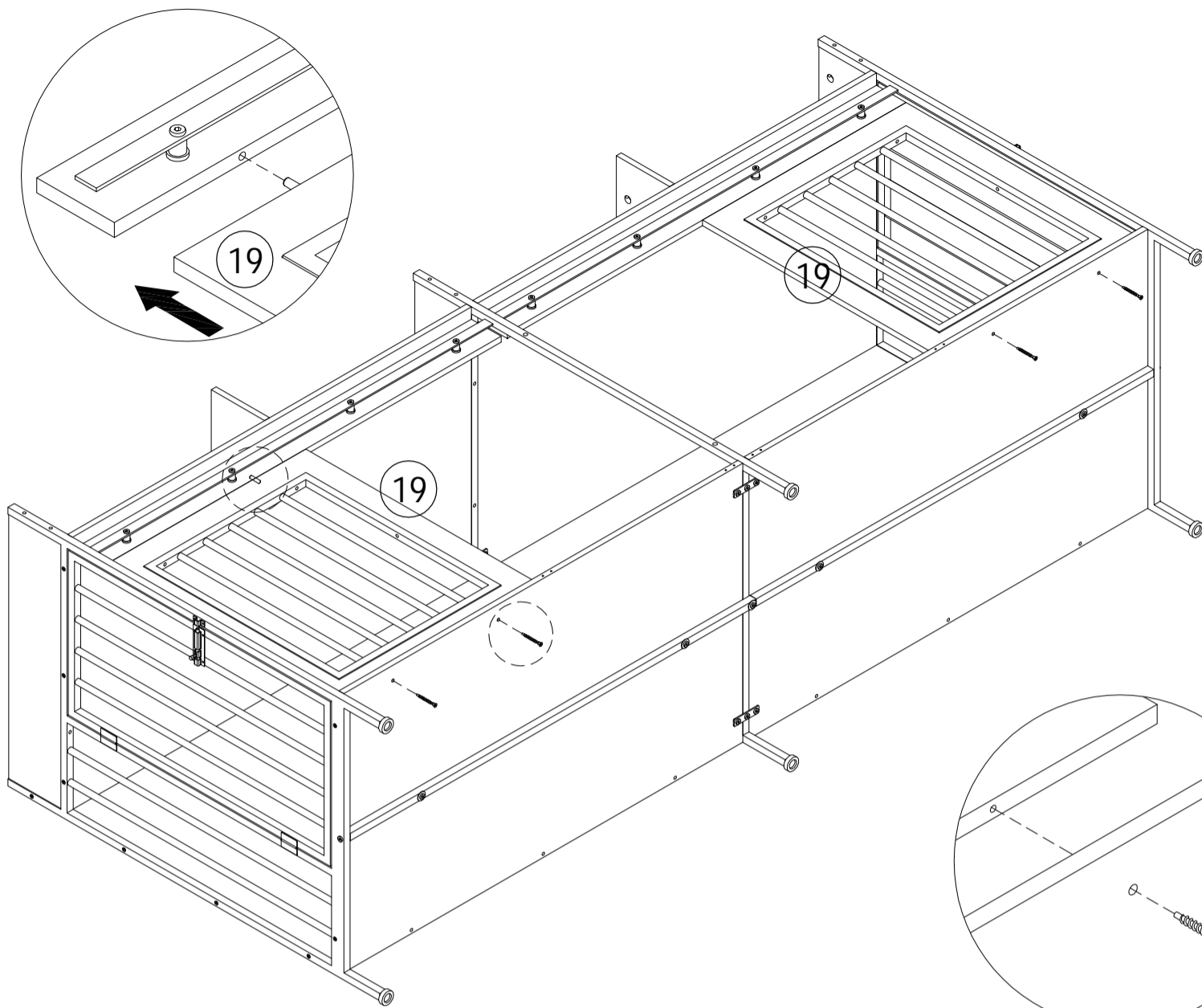


Step 18

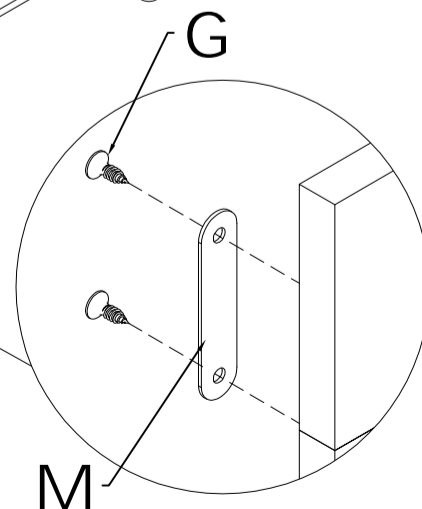
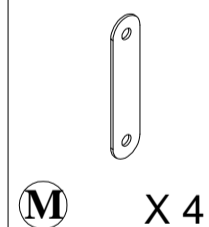
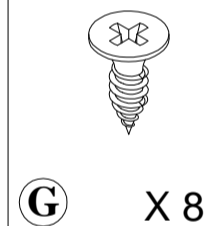
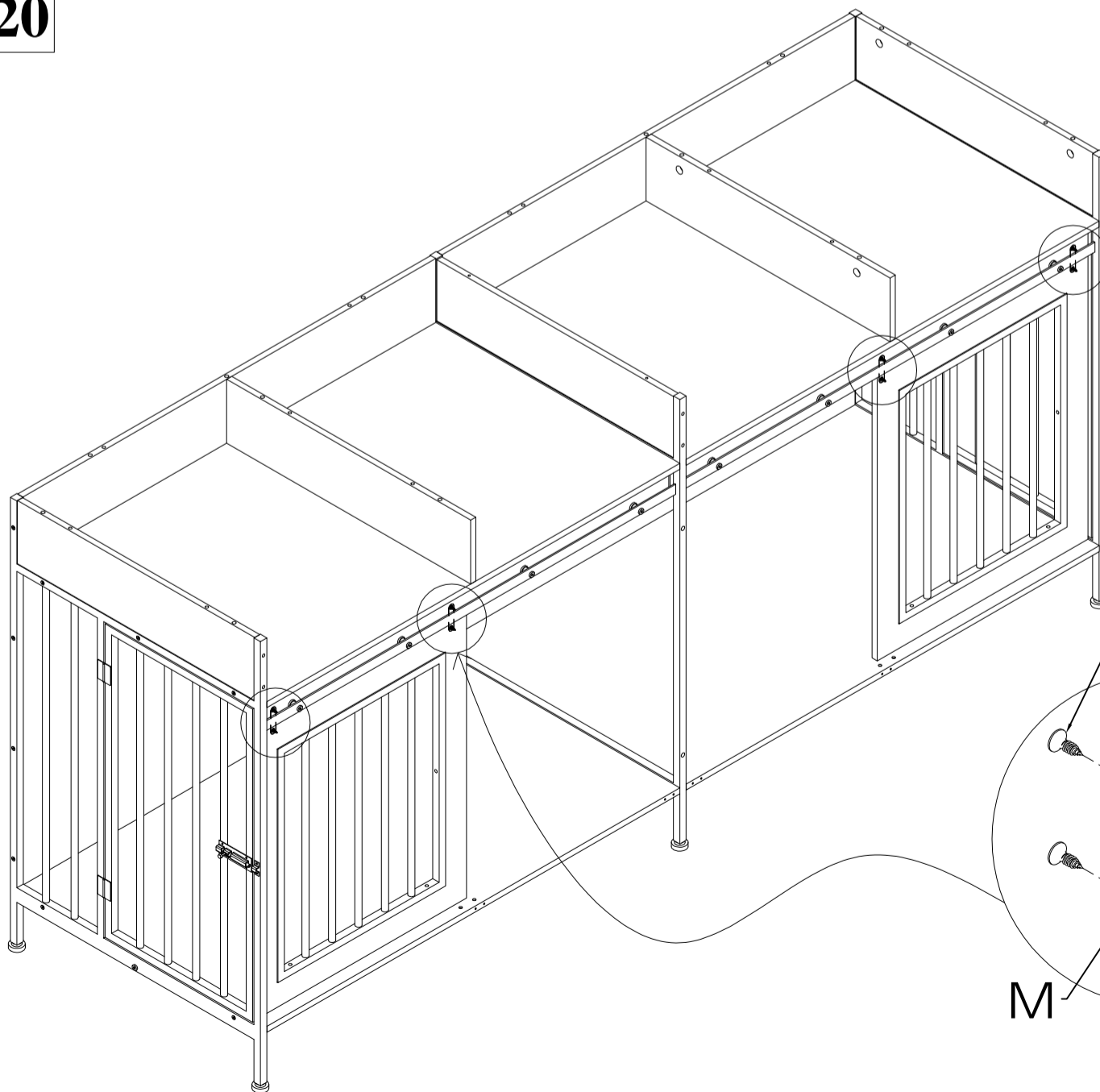


Assembly(EN)/Montageschritte(DE)

Step 19

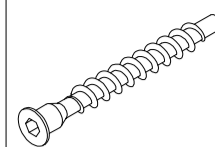
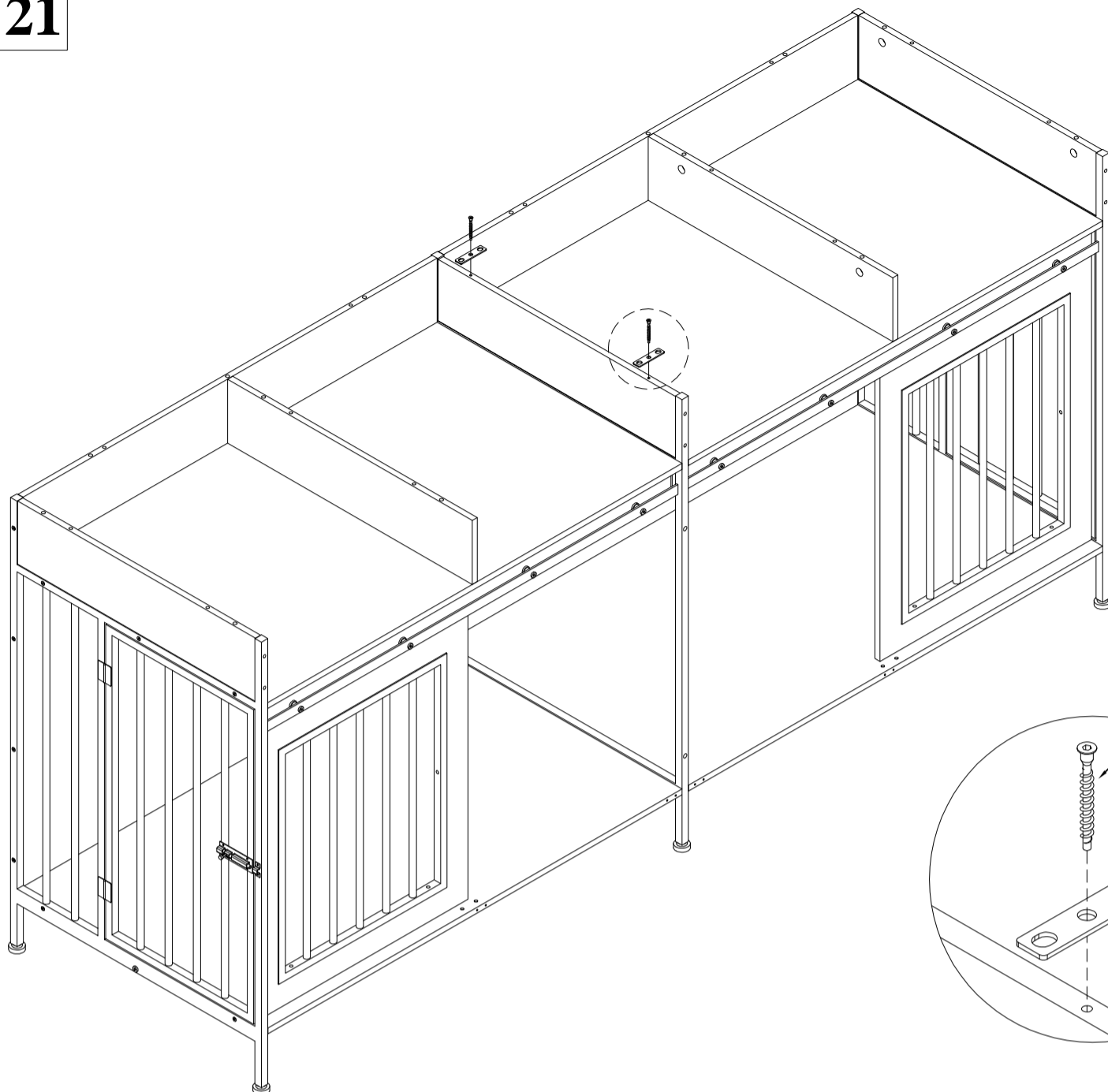


Step 20

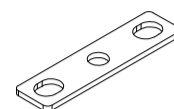


Assembly(EN)/Montageschritte(DE)

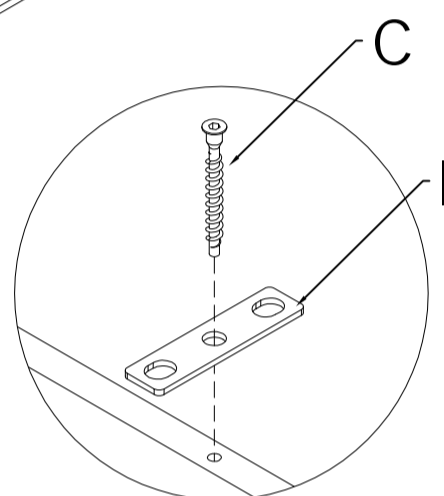
Step 21



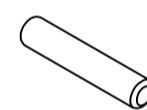
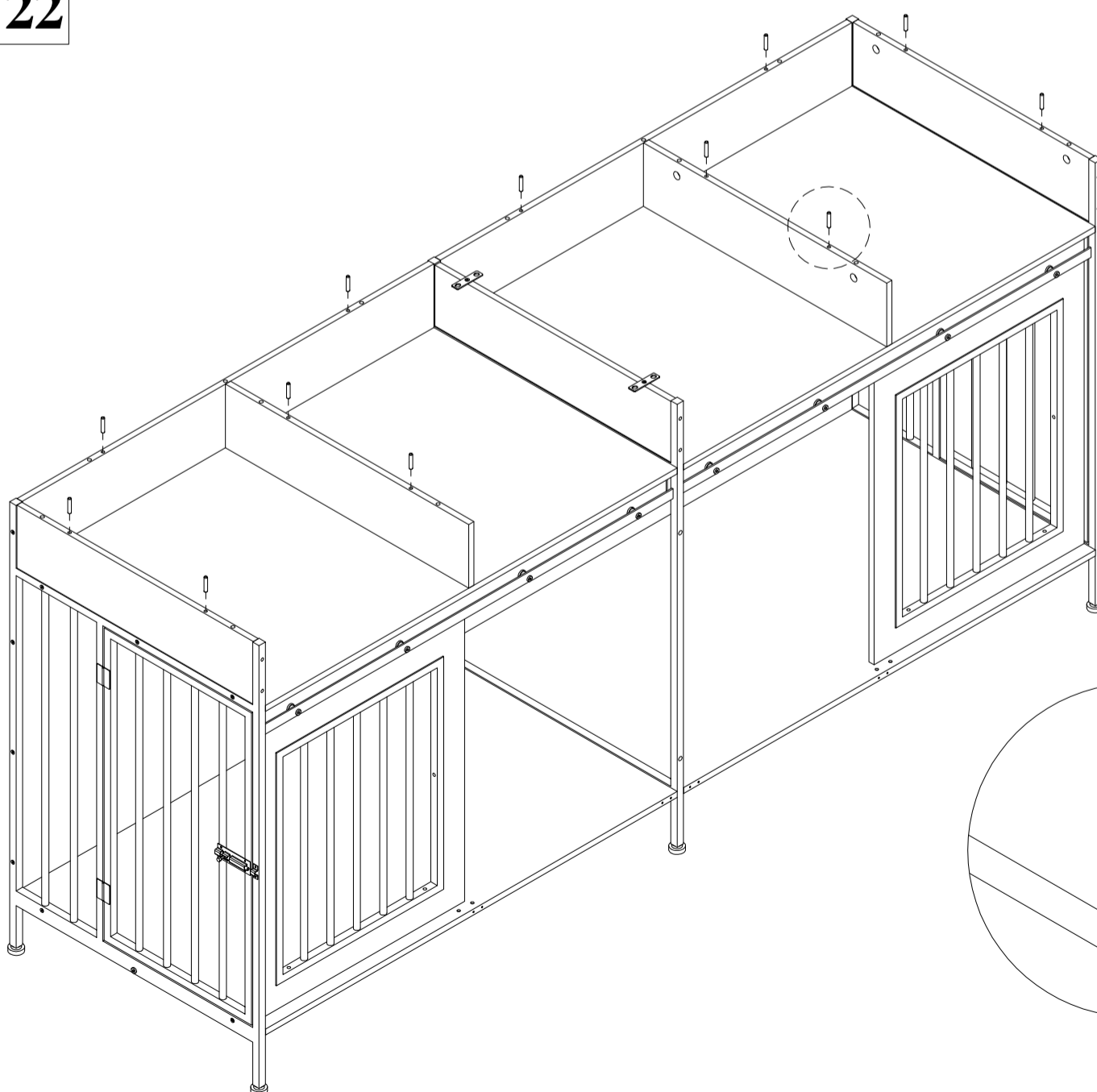
C X 2



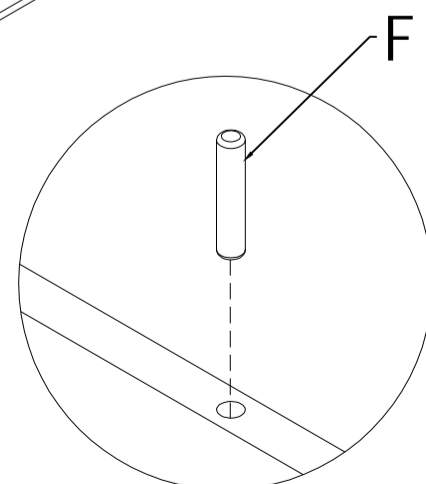
I X 2



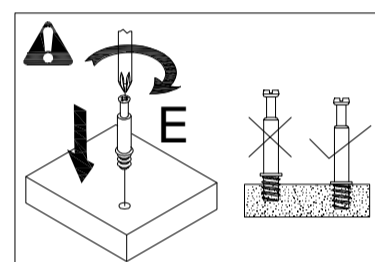
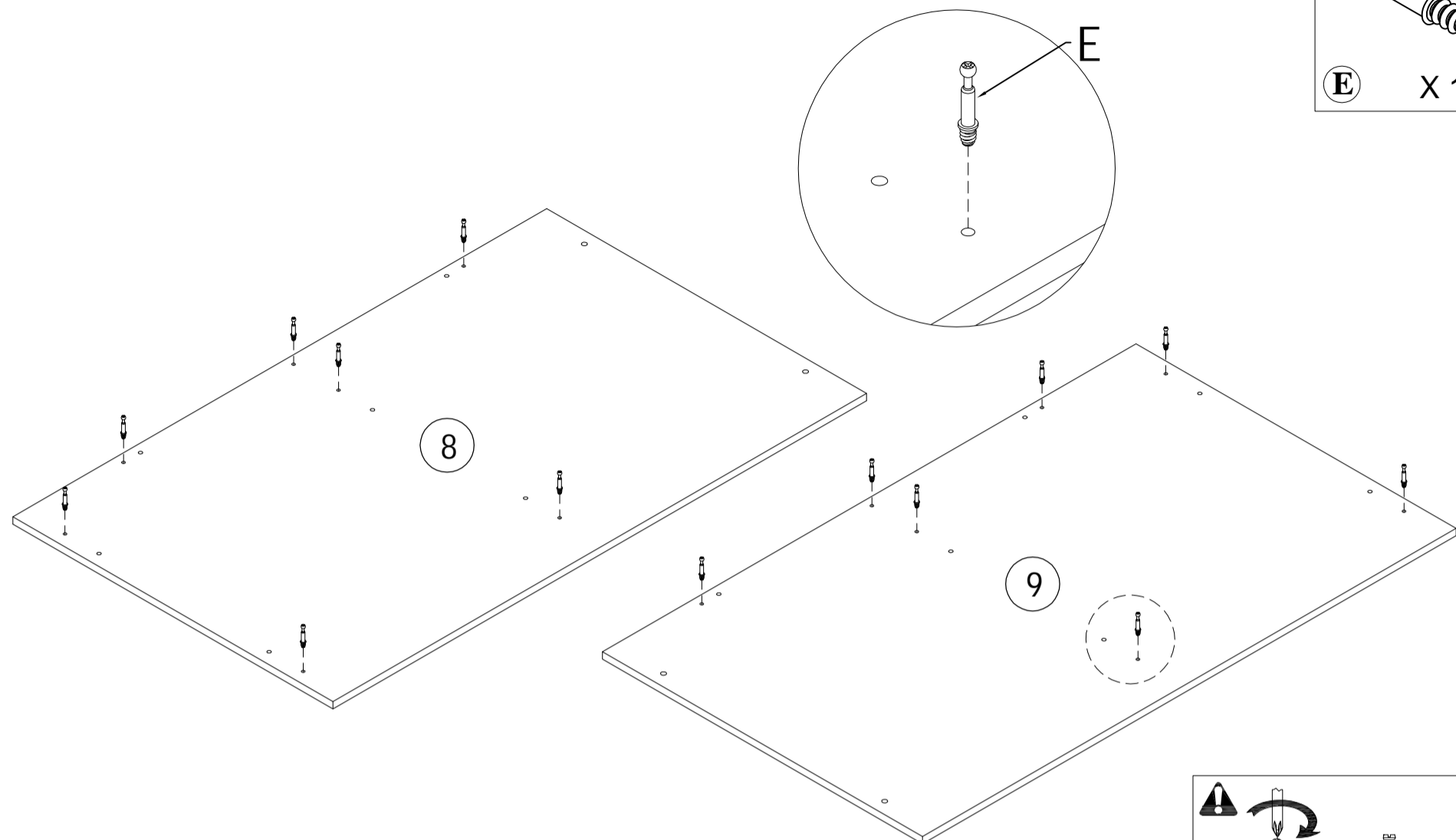
Step 22



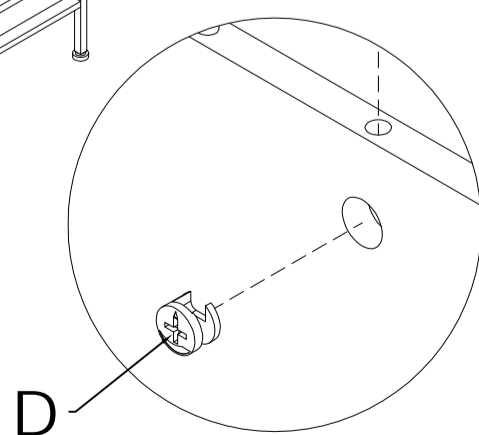
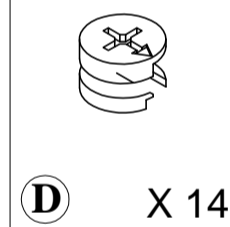
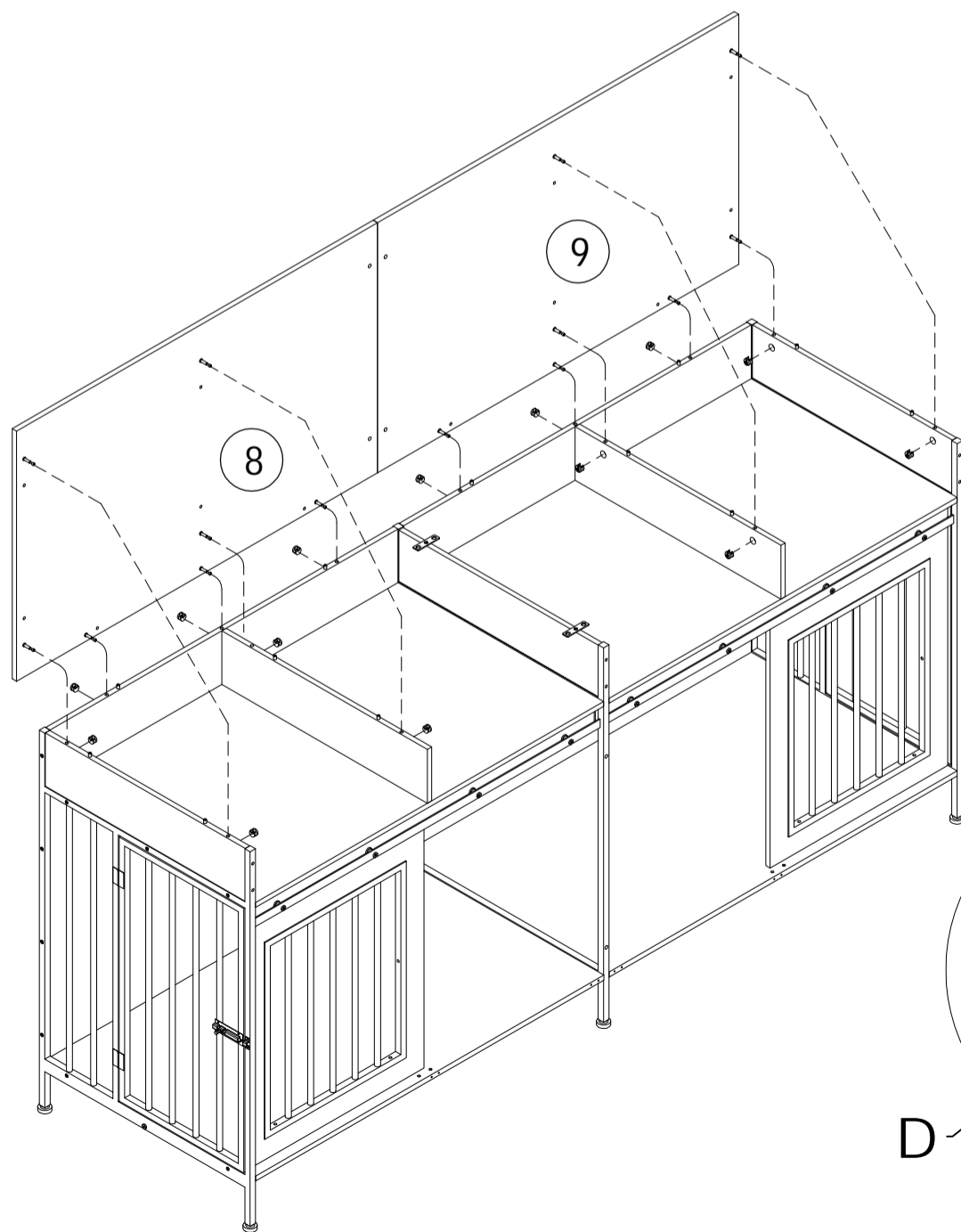
F X 12



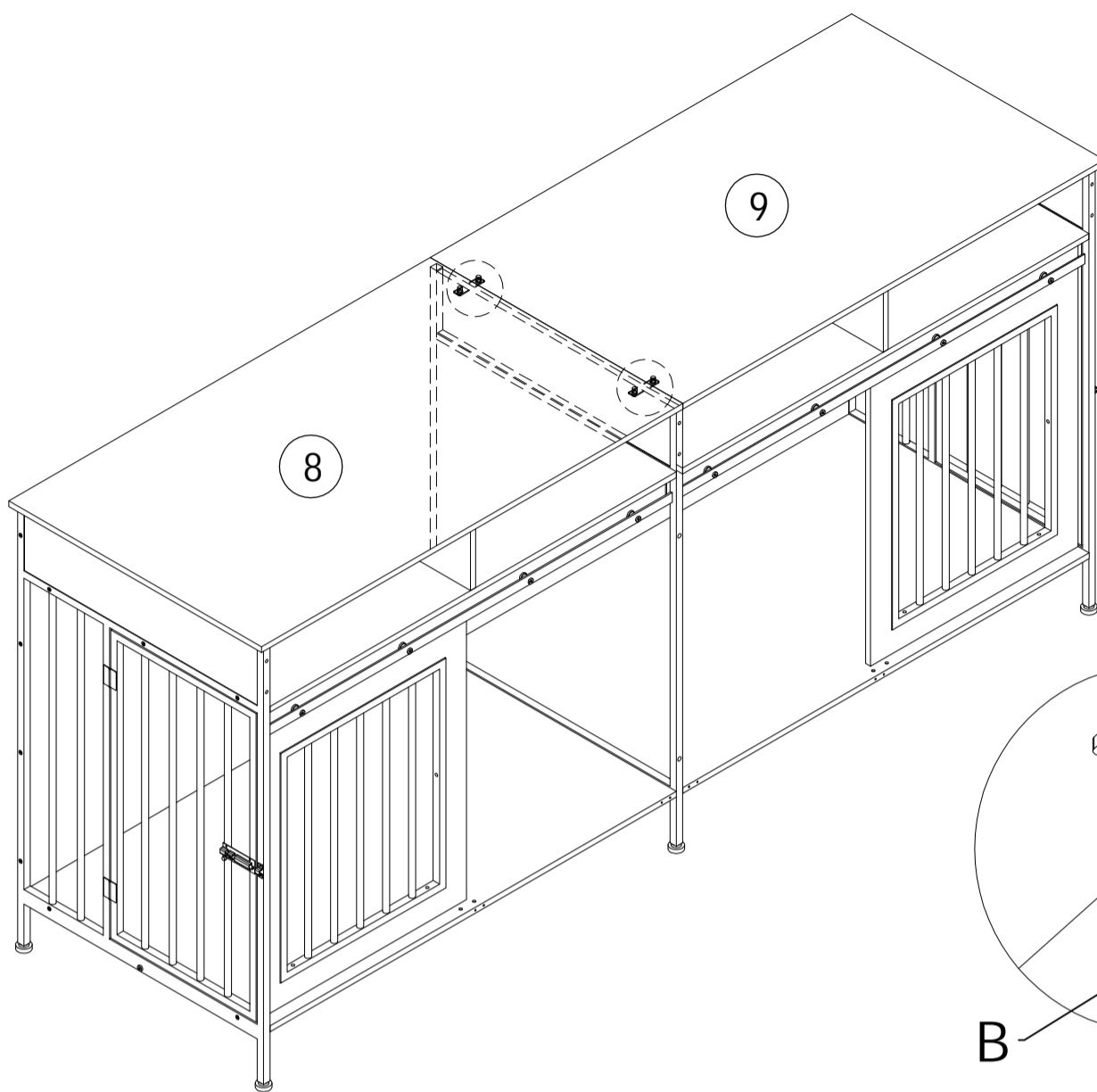
Step 23

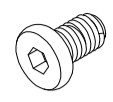


Step 24

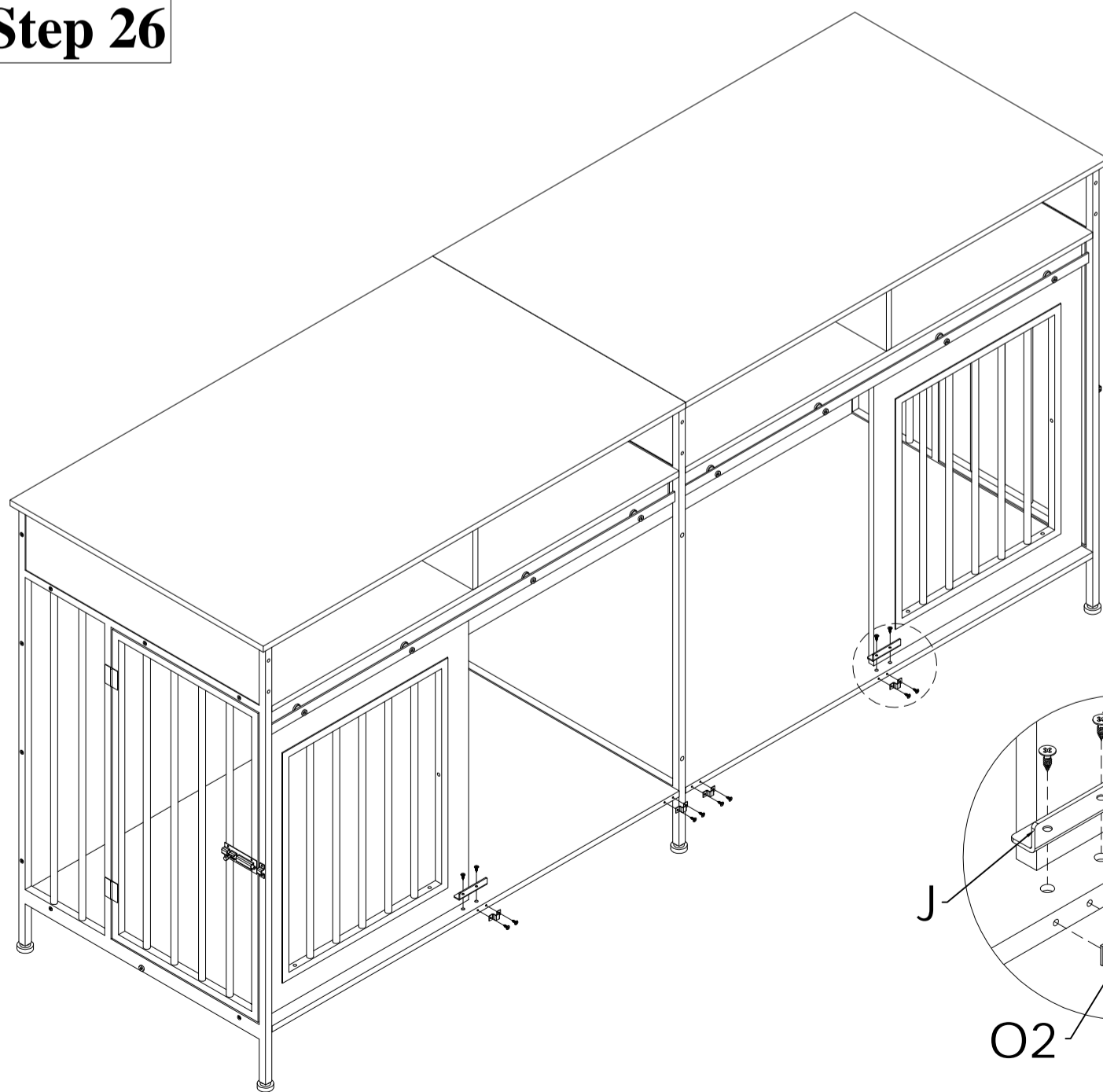


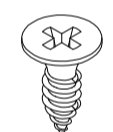
Step 25

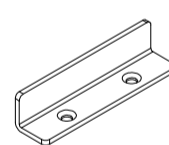


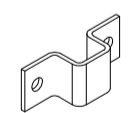
-  **B** X 4

Step 26

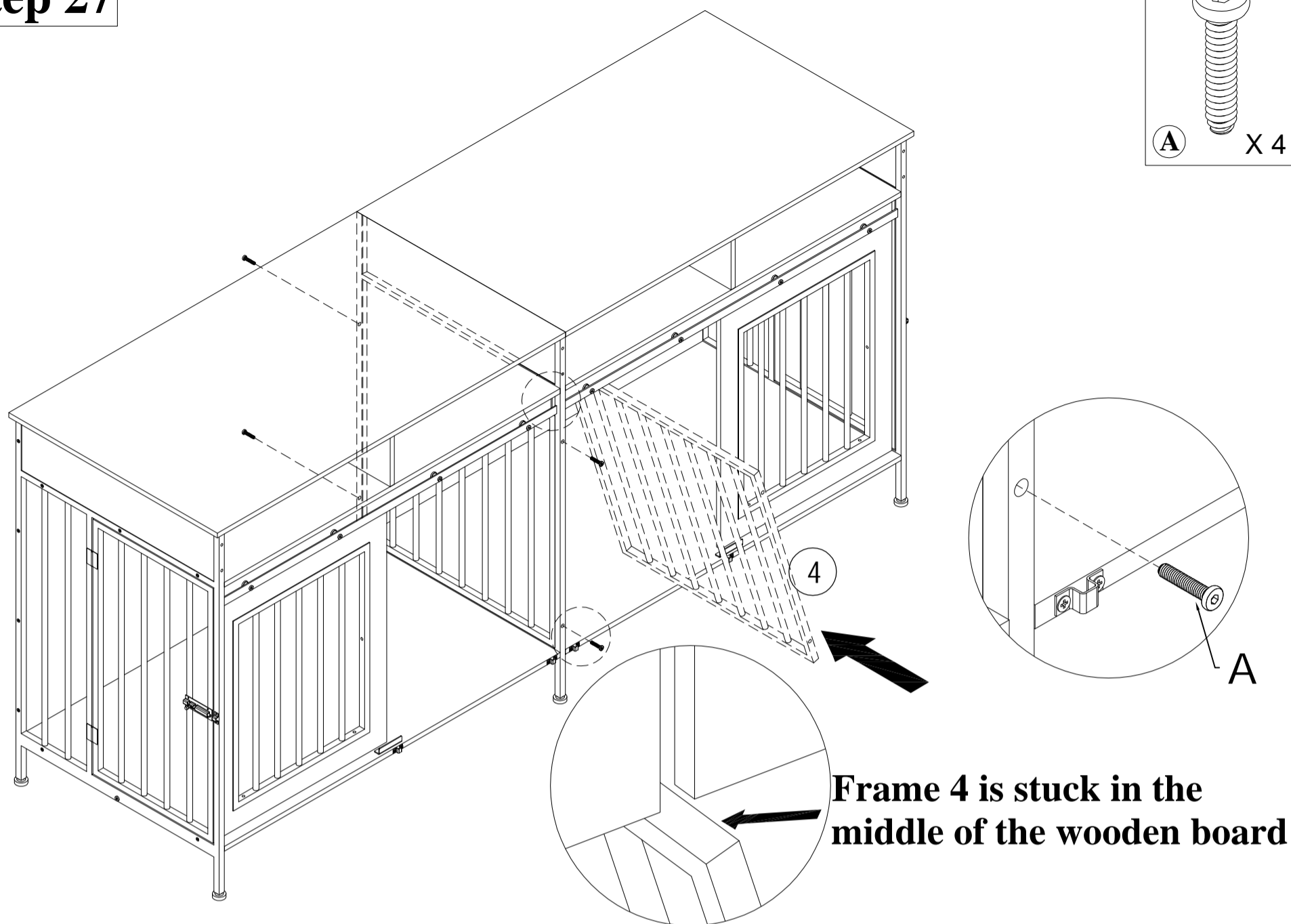


-  **G** X 12

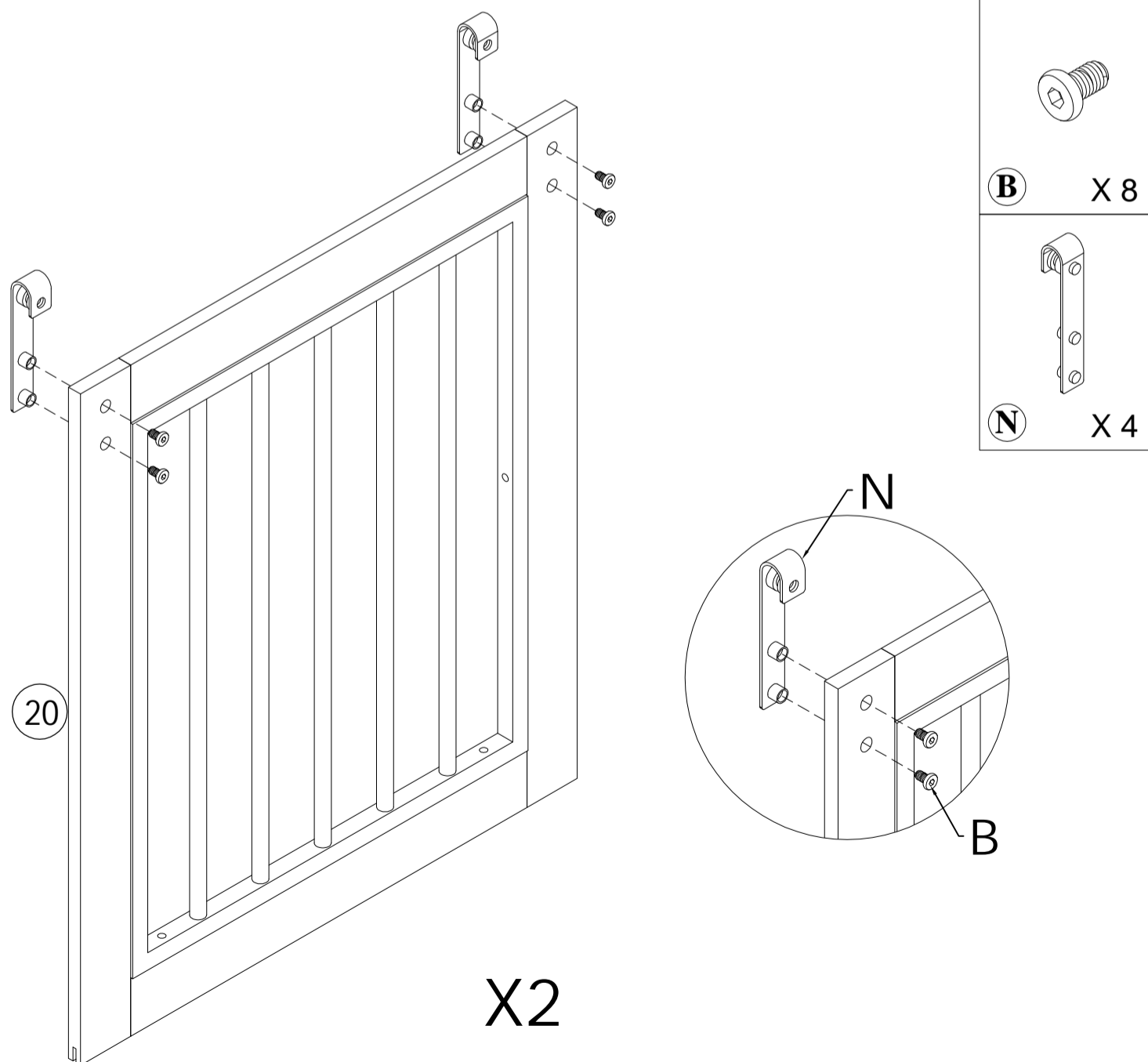
-  **J** X 2

-  **O2** X 4

Step 27

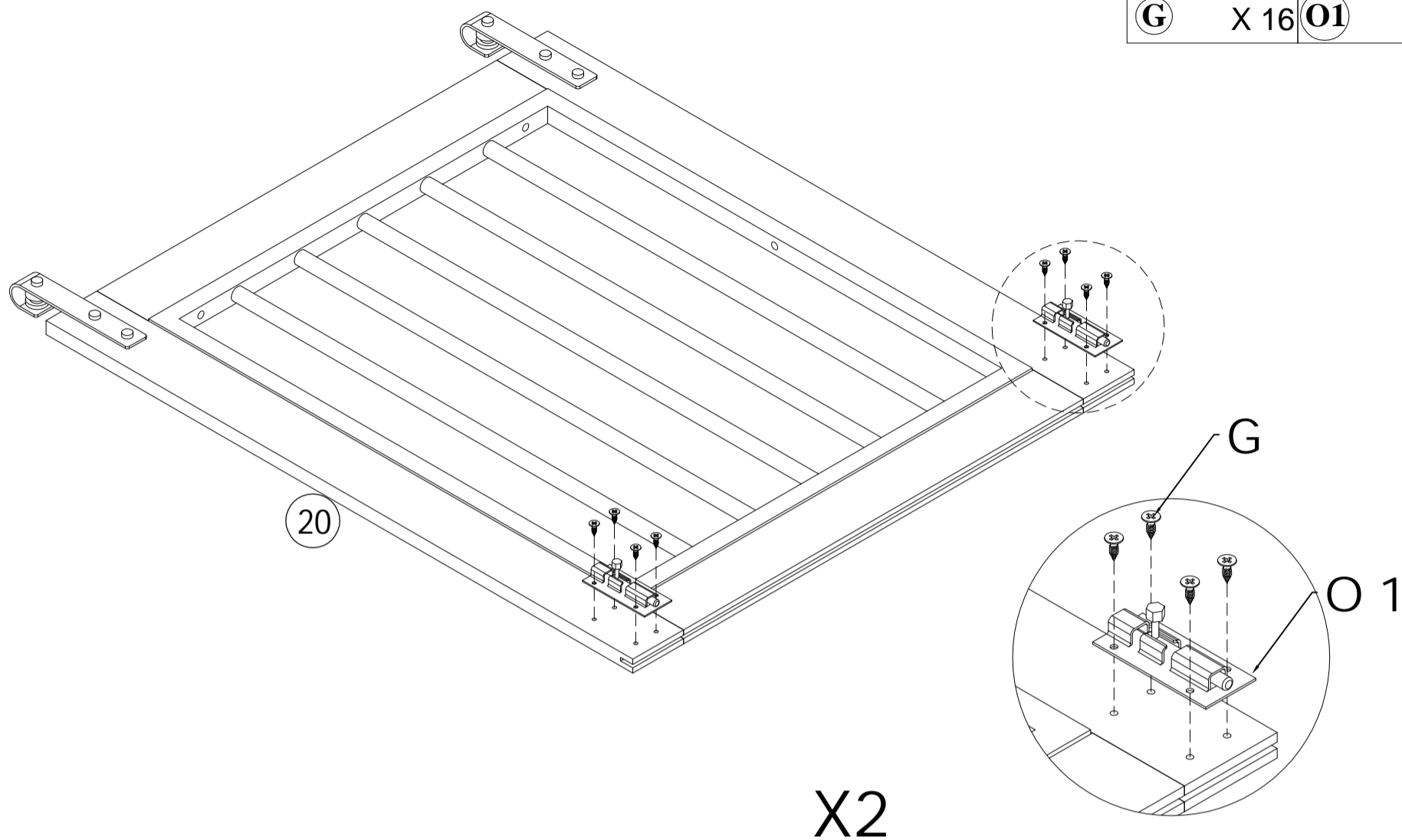


Step 28

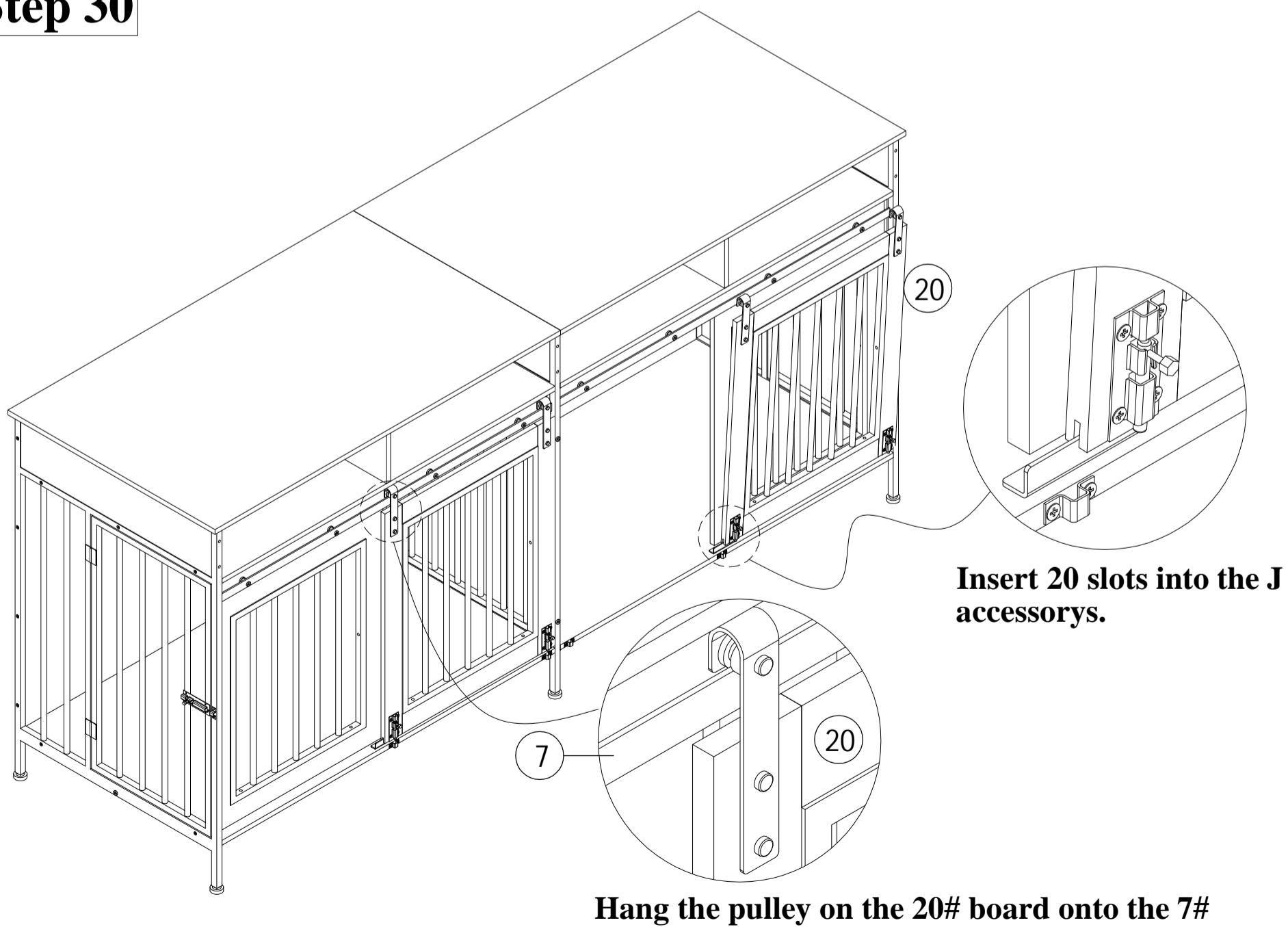


Assembly(EN)/Montageschritte(DE)

Step 29



Step 30



Step 31

