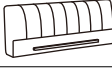
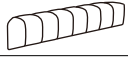
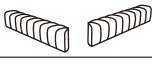
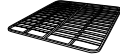






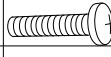
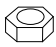
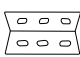

ASSEMBLY INSTRUCTION

BED

Components

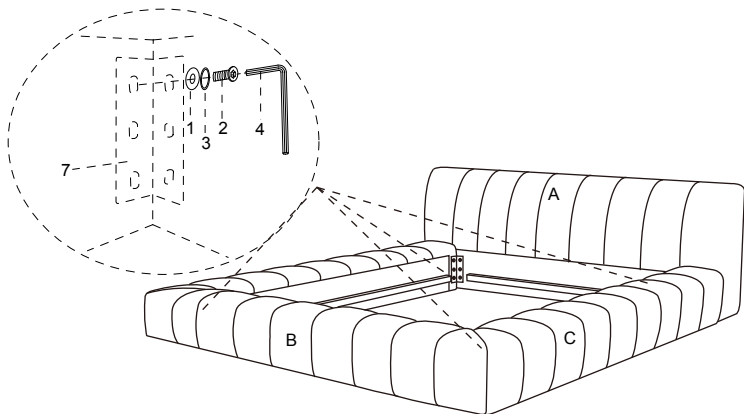
NO.	PICTURE	DESCRIPTION	QTY
A		Headboard	1
B		Footboard	1
C		Side rail	1set
D		Bed slat	1

Hardware

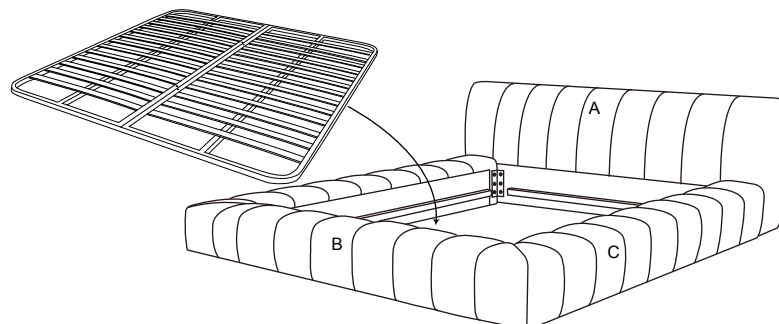
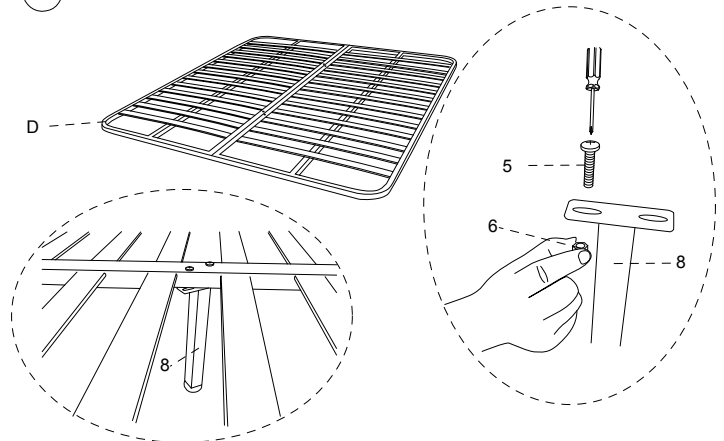
NO.	PICTURE	DESCRIPTION	SPEC.	QTY
1		Washer	$\phi 17*2\text{mm}$	24
2		Bolt	M8*30mm	24
3		Washer	$\phi 13*2\text{mm}$	24
4		Spanner	M8	1
5		Bolt	M6*45mm	4
6		Nut	15.5*5.8mm	4
7		Connector	180*60mm	4
8		Middle leg	200mm	2

Assembly steps

①



②



Made in China