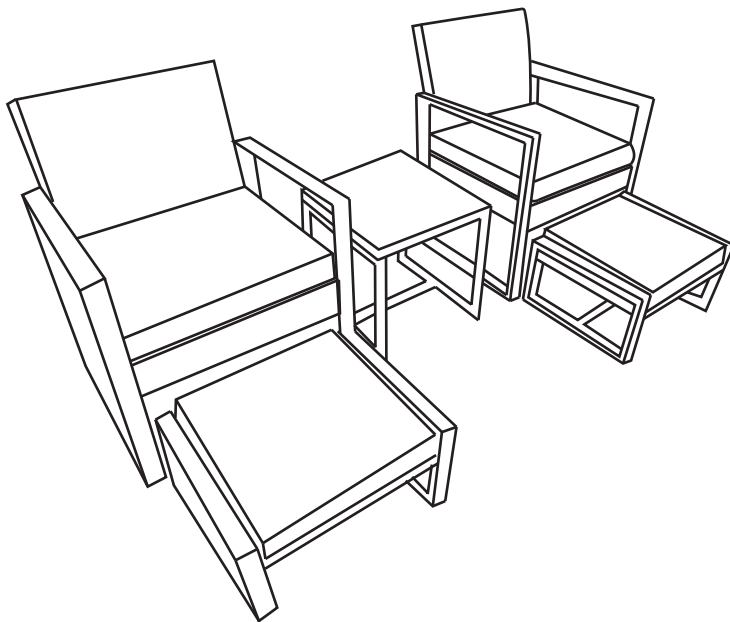


5-Pieces Bistro Set





**IMPORTANT, RETAIN FOR
FUTURE REFERENCE:
READ CAREFULLY.**

Safety

- For domestic use only.
- Always use on firm level ground.
- Don't tighten all the bolts before the product is fully assembled.
- It would be useful to ask someone to help you assemble the product.
- Periodic structural checks of this product should be undertaken, do not use if you have any doubts about its fitness for purpose.
- Do not stand on the seat.
- Do not sit on the armrest.
- Do not let children play with this product.
- Maximum load per seat: 250 lbs.

At the beginning of the season

- Check to ensure that all components and fixings of this product are secure, do not use if you have any doubts about its fitness for purpose.

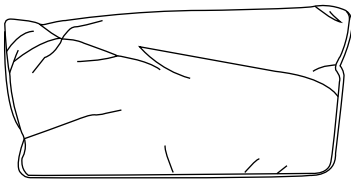
At the end of the season

- This product should be stored under cover during prolonged spells of adverse weather (wet or cold) and also during the winter (ideally in a garden shed or garage).
- Always clean and dry thoroughly before storage.

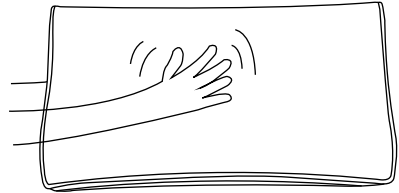
Tips for Cushions

In order to compress the package, we put the cushions in the gap of some parts. So there may be crinkle on the fabric. Don't worry. Just flap every corner of the cushion evenly and it will get back into its original shape soon.

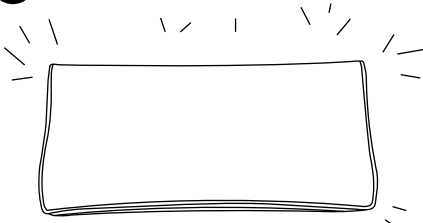
1



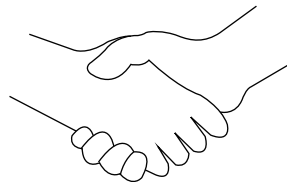
2



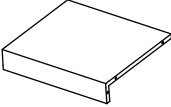
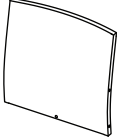
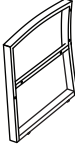
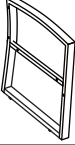

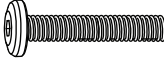


3



OK



COMPONENT LIST -ARMCHAIR X 2

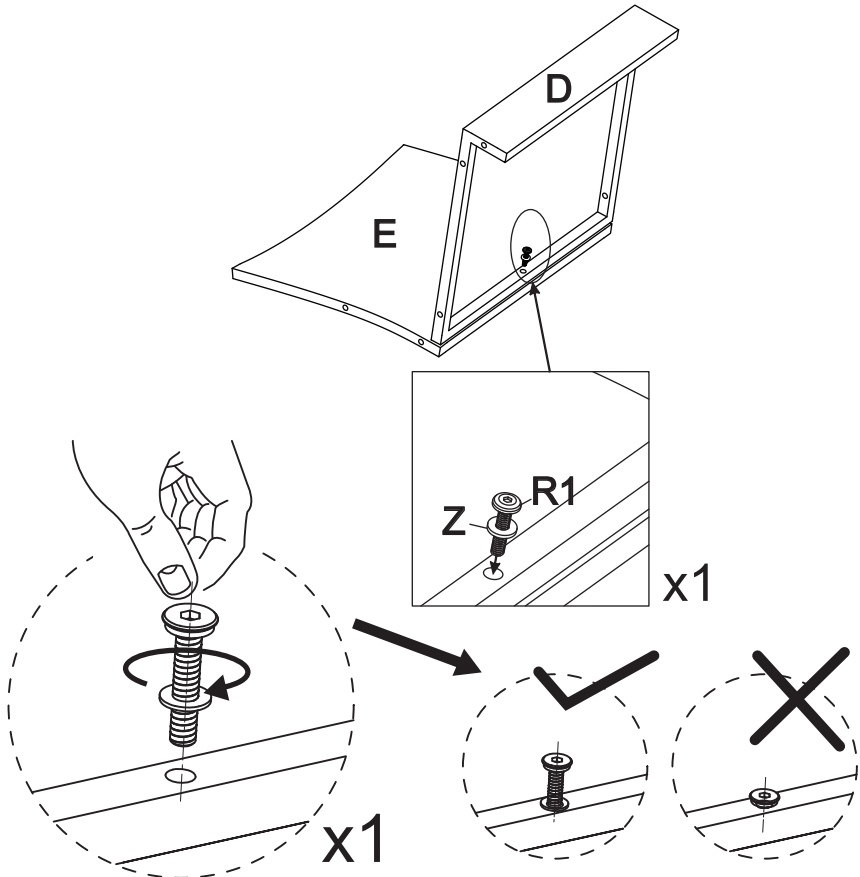
Item no.	Reference Image	Description	Qty.
D		Seat Base	1
E		Seat Back	1
F		Right Armrest	1
G		Left Armrest	1
I		Seat Cushion	1
R1		M6X40 Head Cap Screws	11
Z		Washer	11
T		Allen Key	1

NOTE:

When tightening the screws, tighten sequentially.
DO NOT tighten any screws fully and then move on to the next one.
This may cause the frame to warp.
If there is still wobbles or screw holes cannot be aligned, loosen the screws and execute this same process.
If the Chair is not stable it could lead to damage to the product.

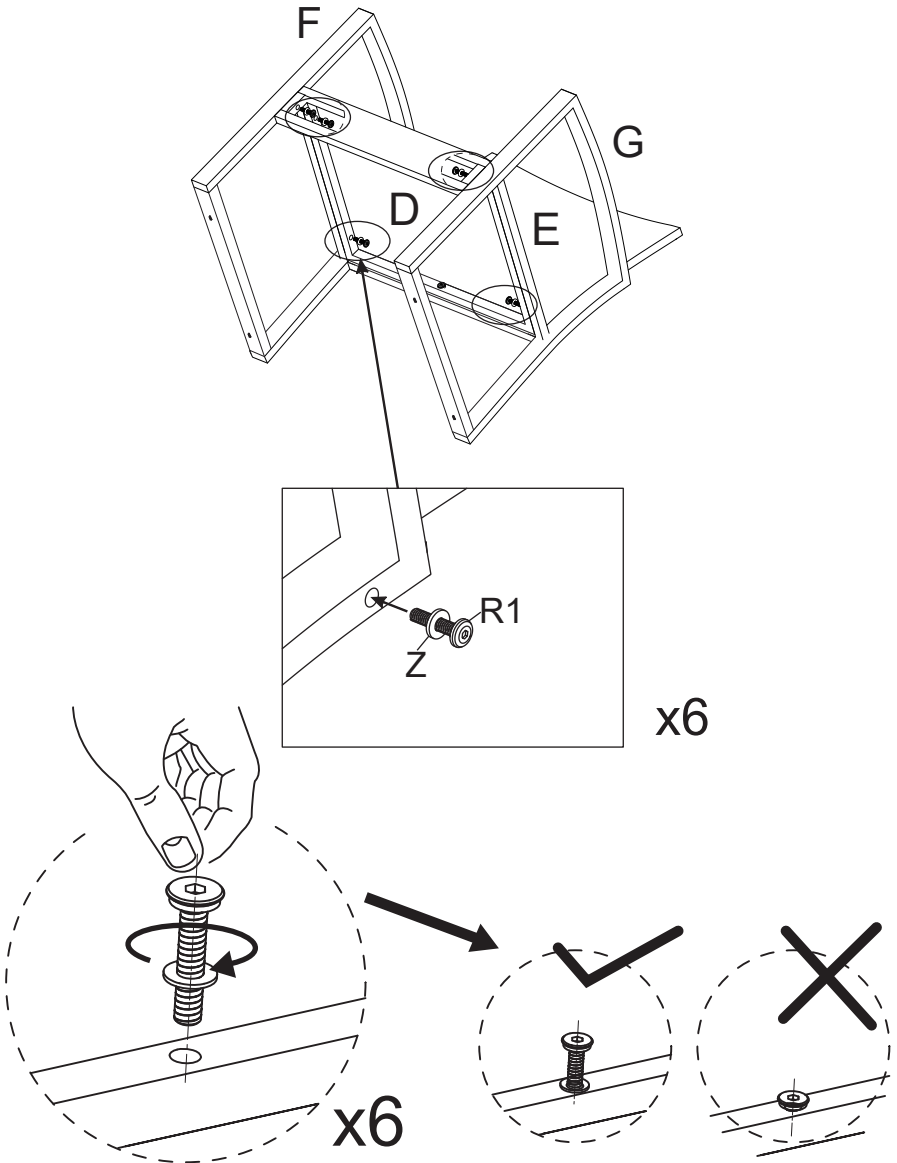
1

Attach the Seat Base (D) to the Seat Back (E) by securing with M6*40 Head Cap Screw (R1) and Washer (Z). Do this in 1 place.



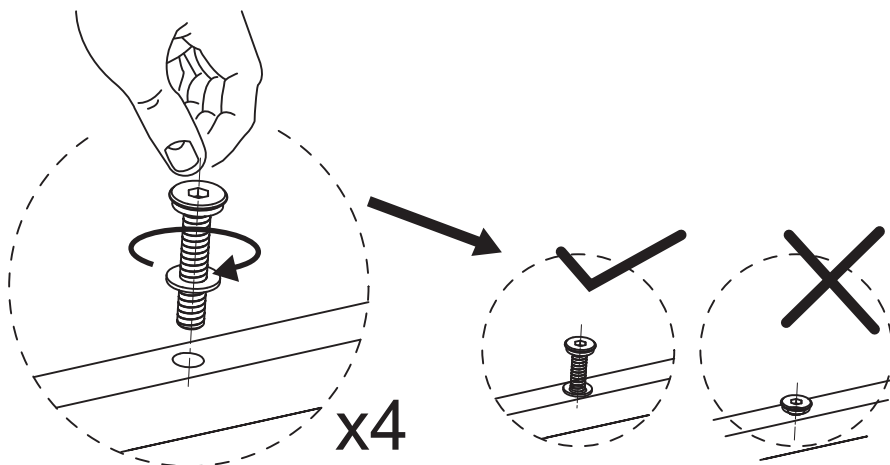
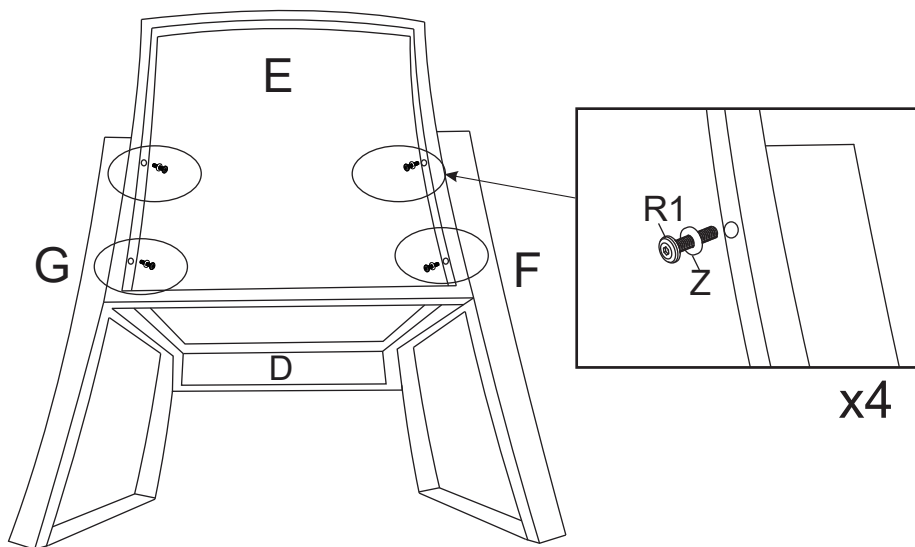
NOTE:DO NOT TIGHTEN THE SCREWS COMPLETELY.

- 2** Attach the Seat Base (D) to the Armrests (F) & (G) by securing with M6*40 Head Cap Screws (R1) and Washers (Z). Do this in 6 places.



NOTE:DO NOT TIGHTEN THE SCREWS COMPLETELY.

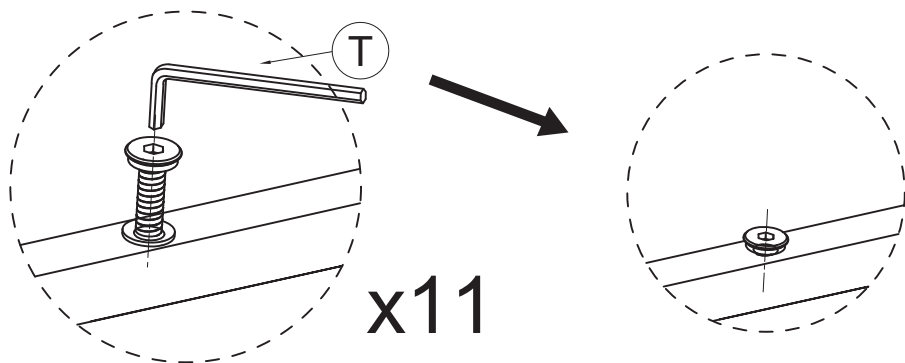
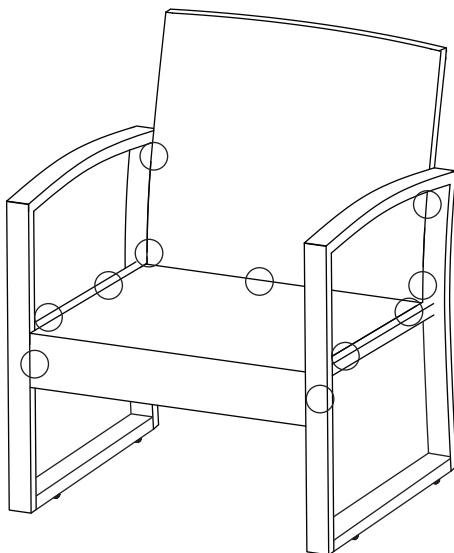
- 3** Attach the Seat Back (E) to the Armrests (F) & (G) by securing with M6*40 Head Cap Screws (R1) and Washers (Z). Do this in 4 places.



NOTE: DO NOT TIGHTEN THE SCREWS COMPLETELY.

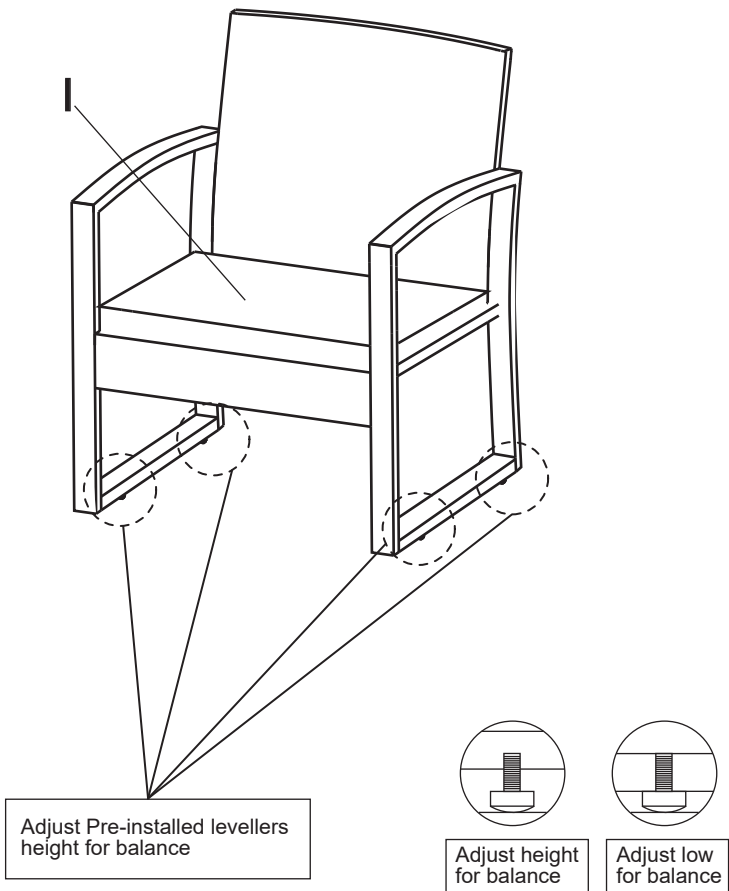
4

Tighten all 11 Screws into place with Allen Key (T).

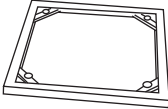
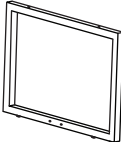

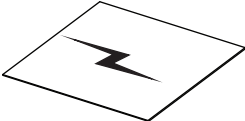






NOTE:IF ANY SCREW HOLES CANNOT BE ALIGNED,
LOOSEN ALL THE SCREWS AND GO BACK STEP
1 AND RESTART ASSEMBLY.

- 5** Place the chair on a level surface, then place Seat Cushion (I) on the chair. Your chair is ready for use.



COMPONENT LIST -TABLE

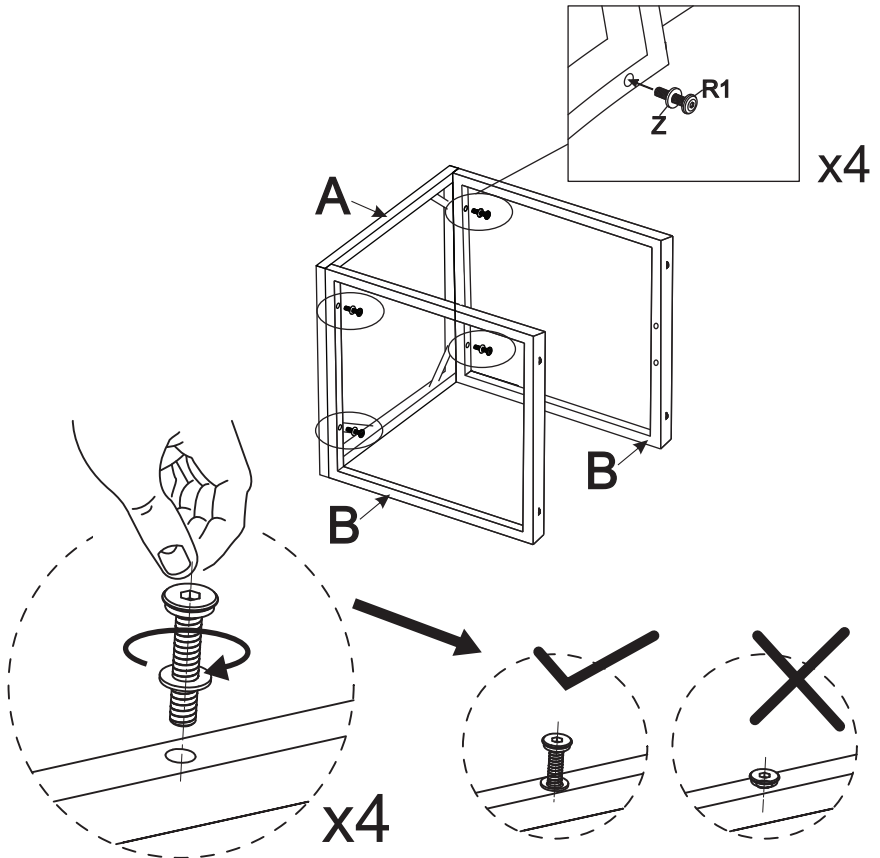
Item no.	Reference Image	Description	Qty.
A		Table Top	1
B		Table Leg	2
C		Connector	1
H		Glass	1
R1		M6X40 Head Cap Screws	4
R2		M6X20 Head Cap Screws	4
Z		Washer	8
T		Allen Key	1

NOTE:

When tightening the screws, tighten sequentially.
DO NOT tighten any screws fully and then move on to the next one.
This may cause the frame to warp.
If there is still wobbles or screw holes cannot be aligned, loosen the screws and execute this same process.
If the Table is not stable it could lead to damage to the product.

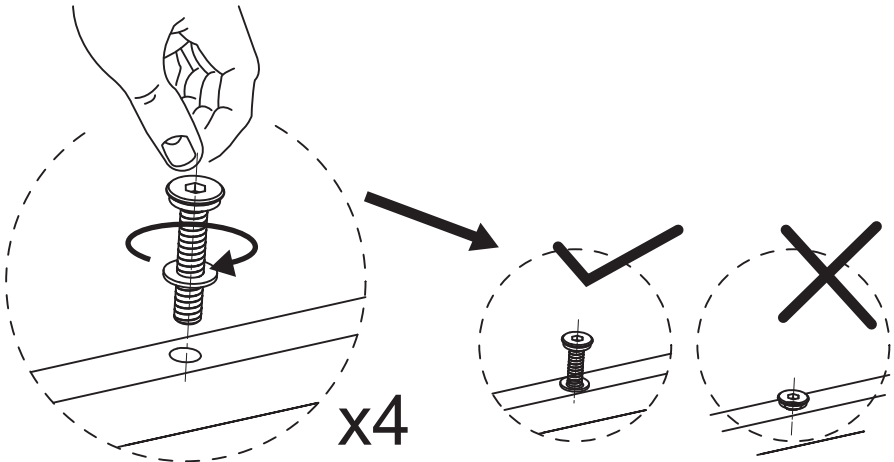
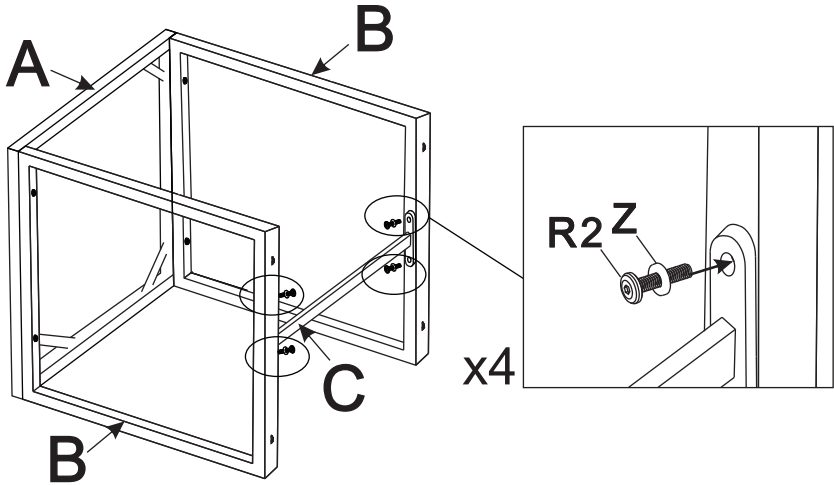
1

Attach the Table Legs (B) to the Table Top (A) by securing with M6*40 Head Cap Screws (R1) and Washers (Z). Do this in 4 places.



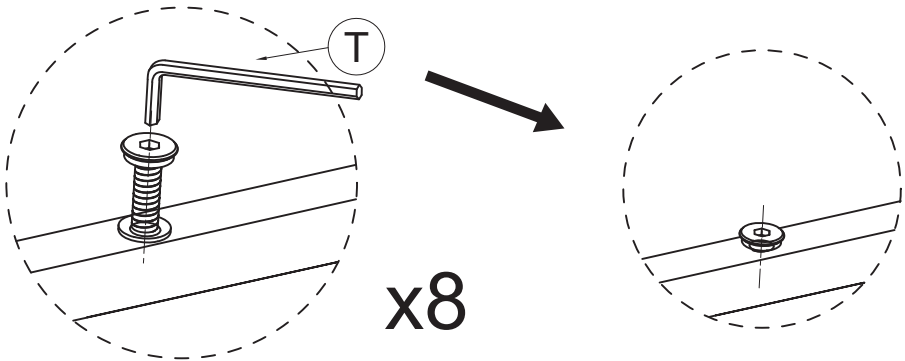
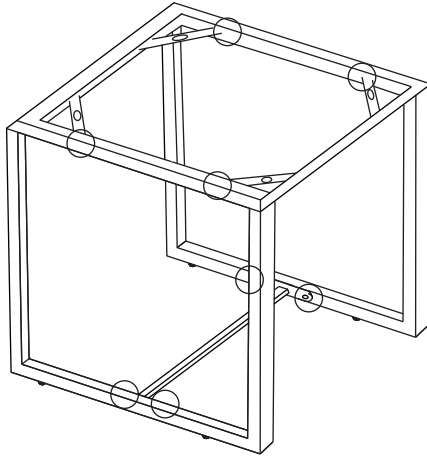
NOTE:DO NOT TIGHTEN THE SCREWS COMPLETELY.

- 2** Attach the Connector (C) to the Table Legs (B) by securing with M6*20 Head Cap Screws (R2) and Washers (Z). Do this in 4 places.



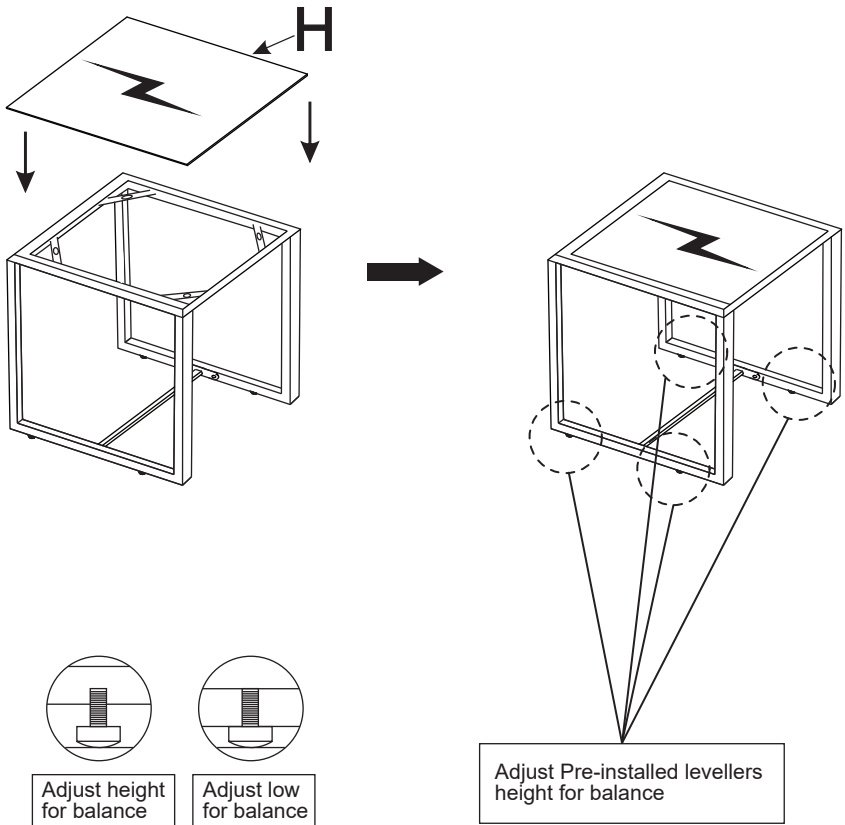
NOTE:DO NOT TIGHTEN THE SCREWS COMPLETELY.

3 Tighten all 8 Screws into place with Allen Key (T).

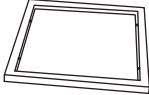




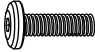




NOTE:IF ANY SCREW HOLES CANNOT BE ALIGNED,
LOOSEN ALL THE SCREWS AND GO BACK STEP
1 AND RESTART ASSEMBLY.

- 4** Place the table on a level surface, then place Glass (H) on the table. Your table is ready for use.



COMPONENT LIST -OTTOMAN X 2

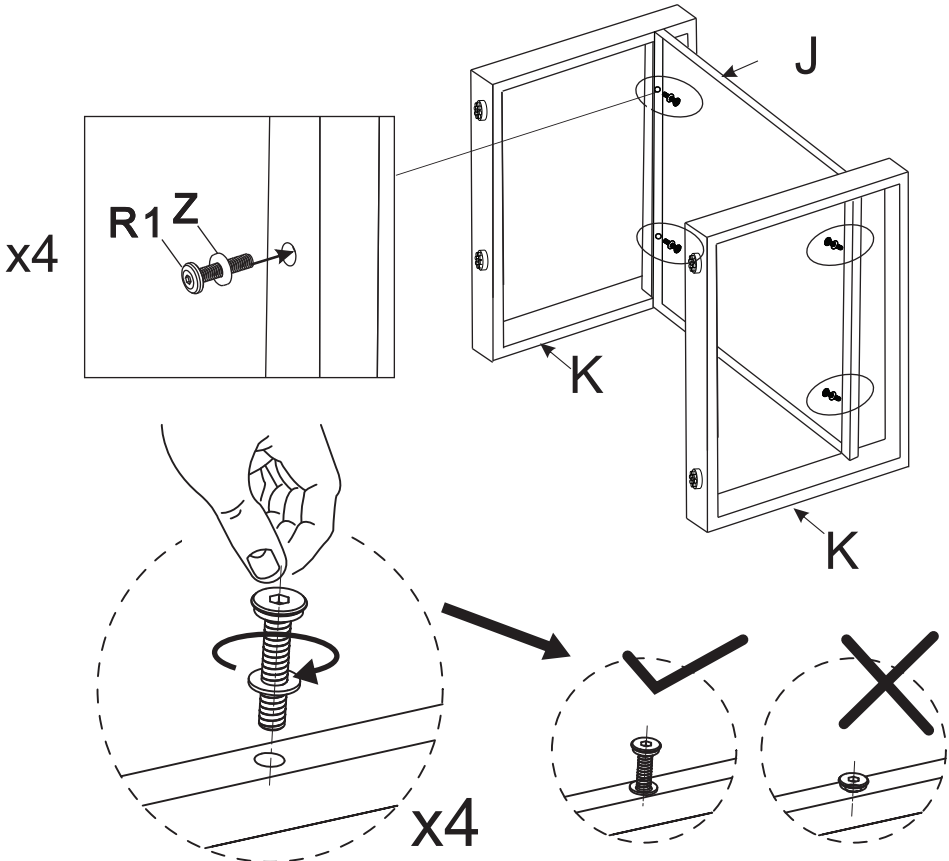
Item no.	Reference Image	Description	Qty.
J		Ottoman Top	1
K		Ottoman Leg	2
L		Connecting Rod	1
M		Ottoman Cushion	1
R1		M6X40 Head Cap Screws	4
R2		M6X20 Head Cap Screws	4
Z		Washer	8
T		Allen Key	1

NOTE:

When tightening the screws, tighten sequentially.
DO NOT tighten any screws fully and then move on to the next one.
This may cause the frame to warp.
If there is still wobbles or screw holes cannot be aligned, loosen the screws and execute this same process.
If the Ottoman is not stable it could lead to damage to the product.

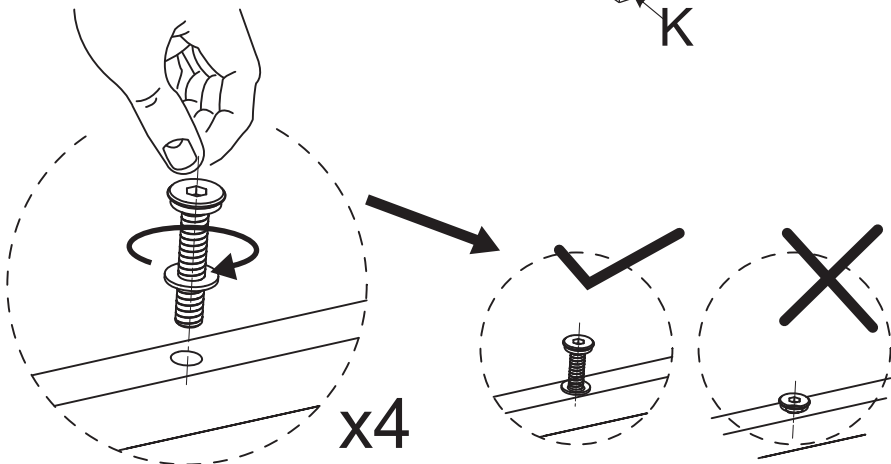
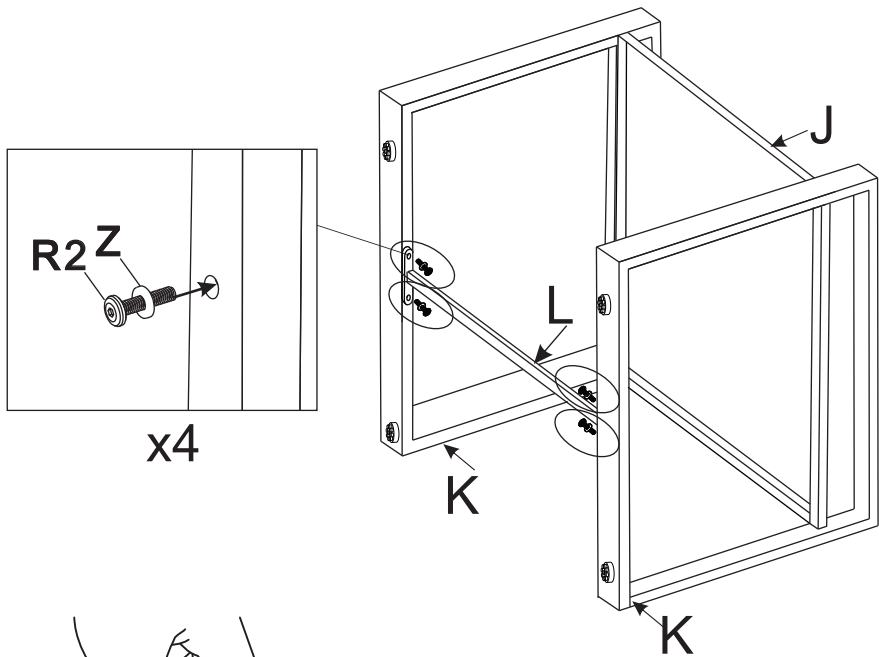
1

Attach the Ottoman Legs (K) to the Ottoman Top (J) with M6*40 Head Cap Screws (R1) and Washers (Z). Do this in 4 places.



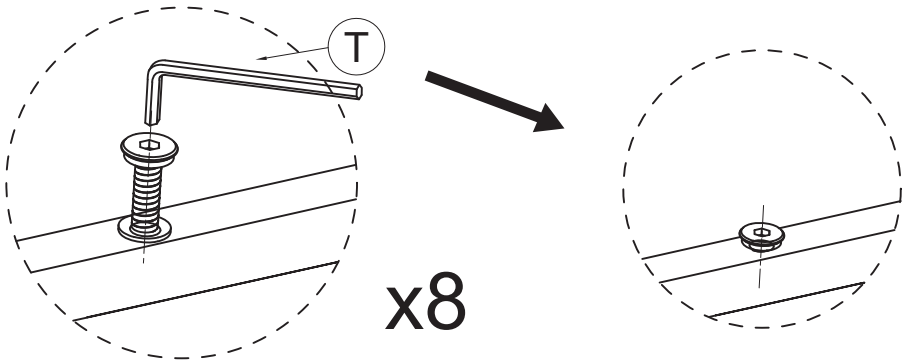
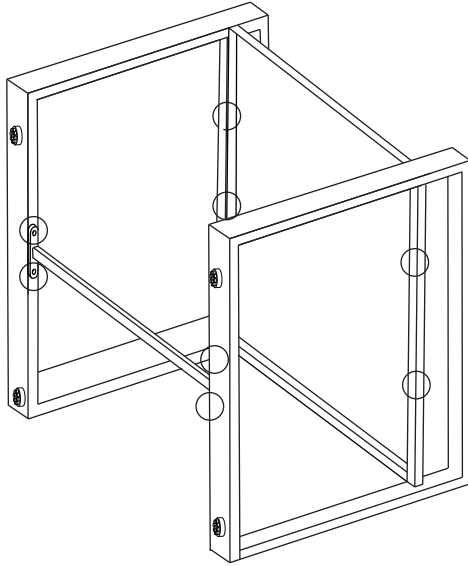
NOTE:DO NOT TIGHTEN THE SCREWS COMPLETELY.

- 2** Attach the Connecting Rod (L) to the Ottoman Legs (K) with M6*20 Head Cap Screws (R2) and Washers (Z). Do this in 4 places.



NOTE:DO NOT TIGHTEN THE SCREWS COMPLETELY.

3 Tighten all 8 Screws into place with Allen Key (T).



NOTE:IF ANY SCREW HOLES CANNOT BE ALIGNED,
LOOSEN ALL THE SCREWS AND GO BACK STEP
1 AND RESTART ASSEMBLY.

4 Place the Ottoman on a level surface. Place the Ottoman Cushion (M) on the ottoman. Your Ottoman is ready for use.

