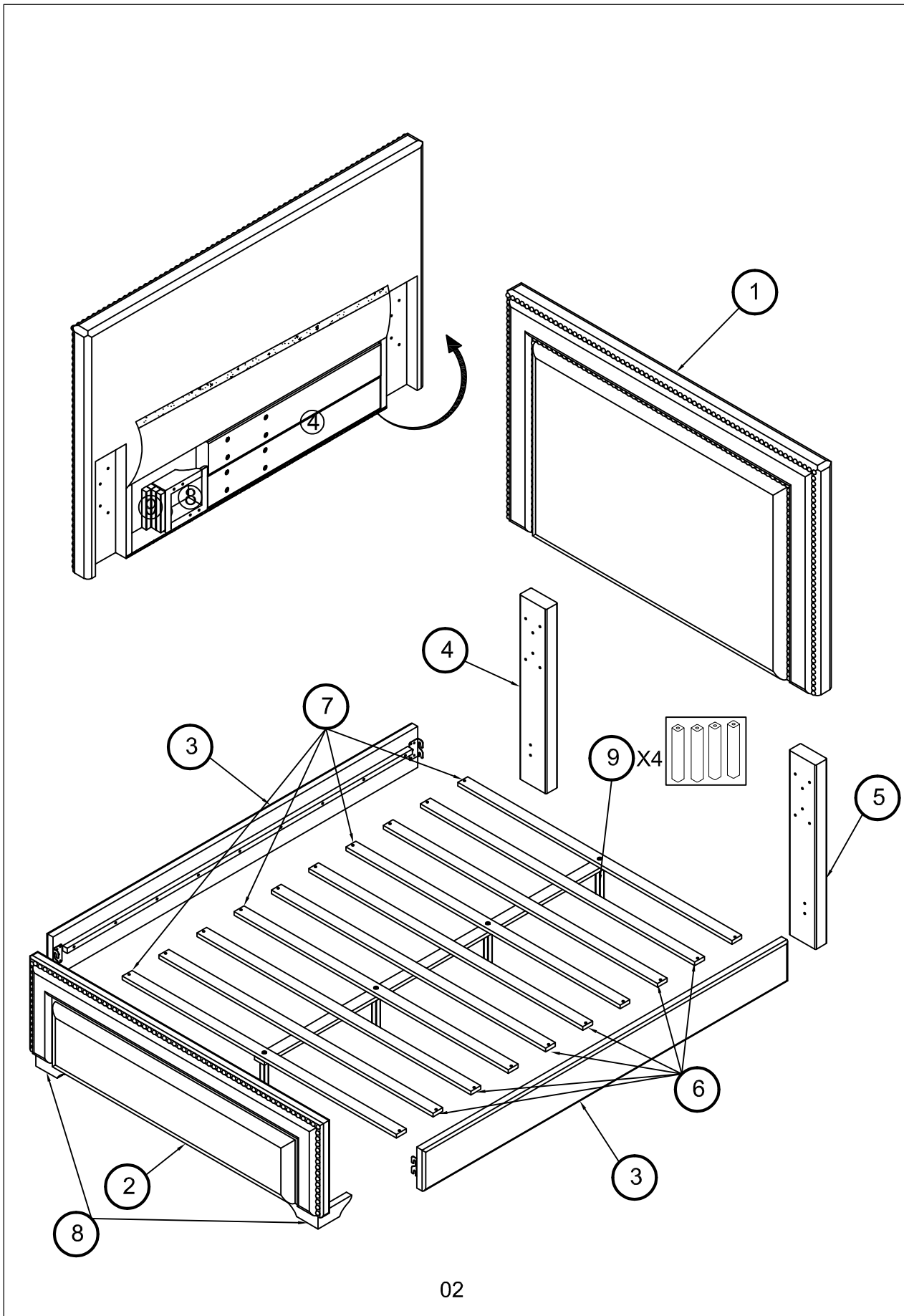


# ASSEMBLY INSTRUCTIONS

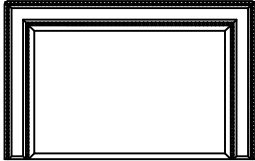


# PARTS

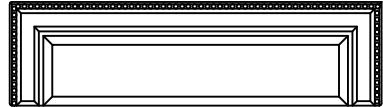
check that you've received  
all parts listed below

BOX:1/1

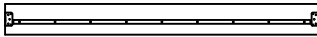
① (1PC)



② (1PC)



③ (2PCS)



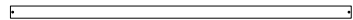
④ (1PCS)



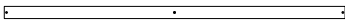
⑤ (1PCS)



⑥ (4PC)



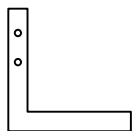
⑦ (6PCS)



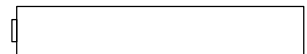
⑧ (1PCS)



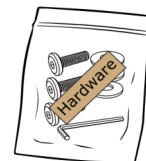
⑨ (2PCS)



⑩ (4PCS)




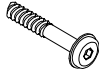
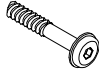
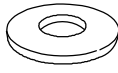
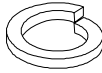

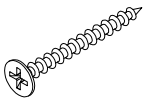
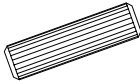
HARDWARE







# HARDWARE

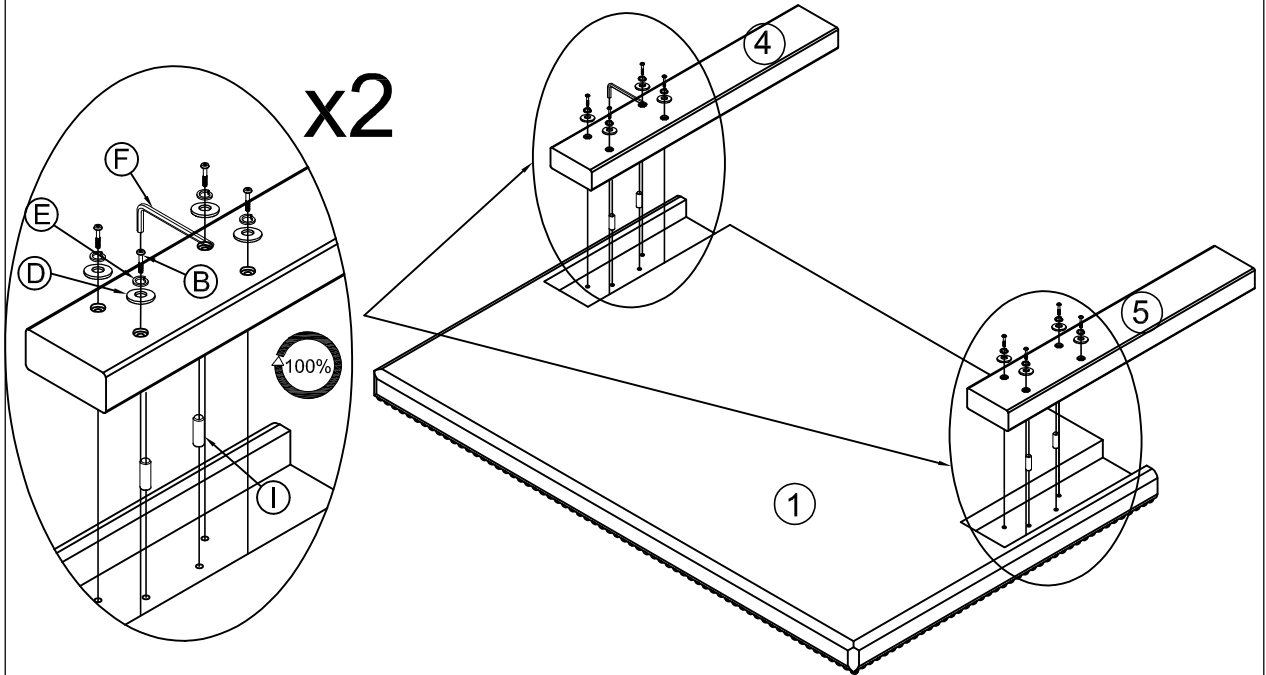
check that you've received  
all parts listed below

## Hardware List






NO	OUTLOOK	DESC	QTY
A		Bolts Ø5/16" x 30 mm	8 pcs
B		Bolts Ø5/16" x 85 mm	8 pcs
C		Bolts Ø5/16" x 50 mm	8 pcs
D		Plain washer Ø19x1.5 mm	24 pcs
E		Spring washer Ø13x1 mm	24 pcs
F		Allen key 80x30x4 mm	1 pc
J		Screws Ø4x30 mm	20 pcs
I		Dowel Ø10 x 30 mm	4 pcs

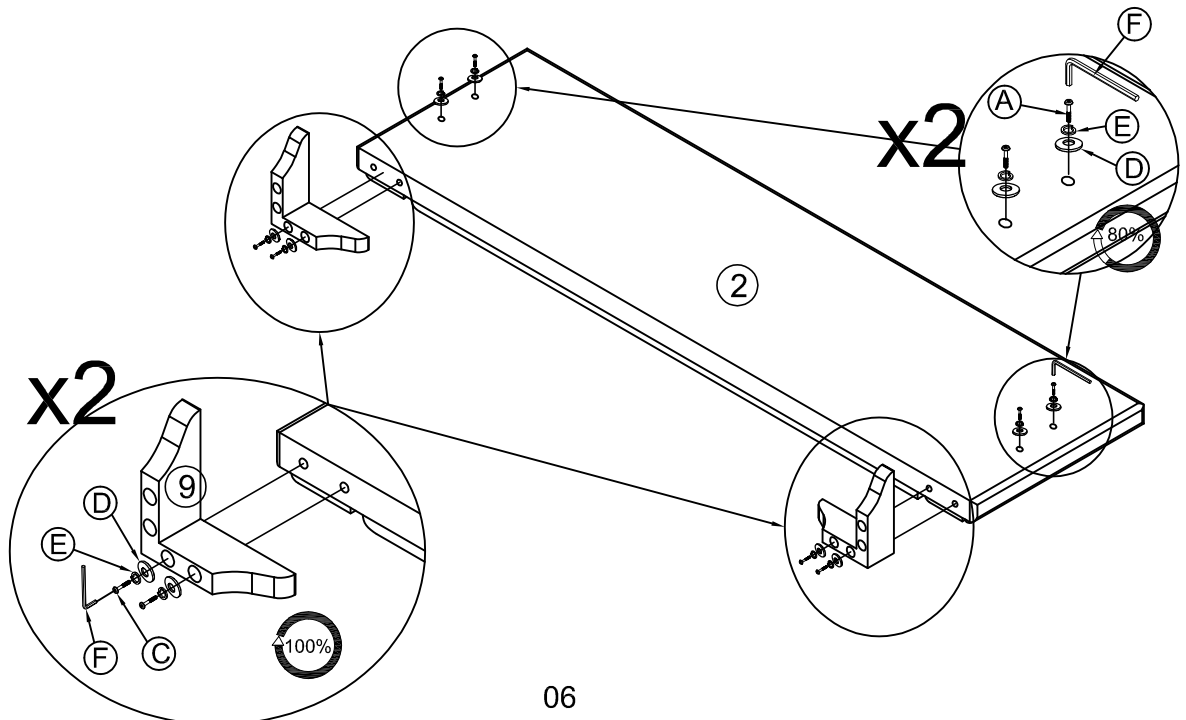
# STEP 1

Bx8  Ø5/16" x 85 mm	Dx8 	Ex8 	Fx1 	
--	--	--	--	--

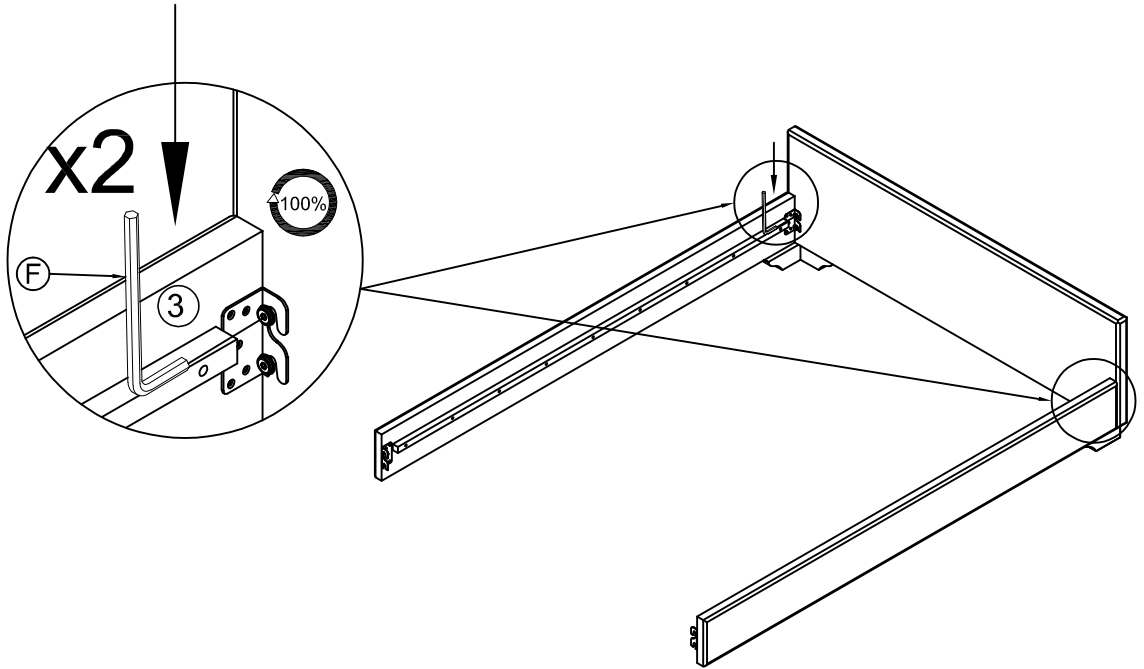
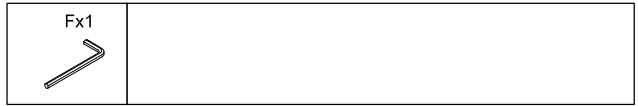


# STEP 2

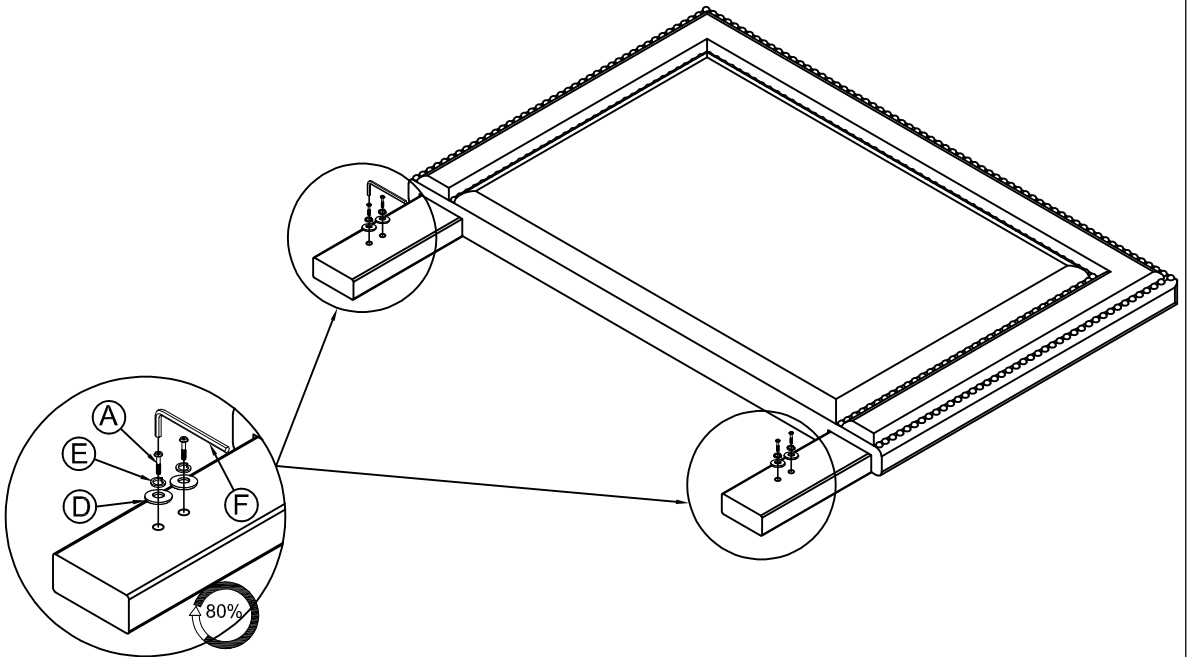
Ax4  Ø5/16" x 30 mm	Cx4  Ø5/16" x 50 mm	Dx8 	Ex8 	Fx1 
--	--	--	--	--



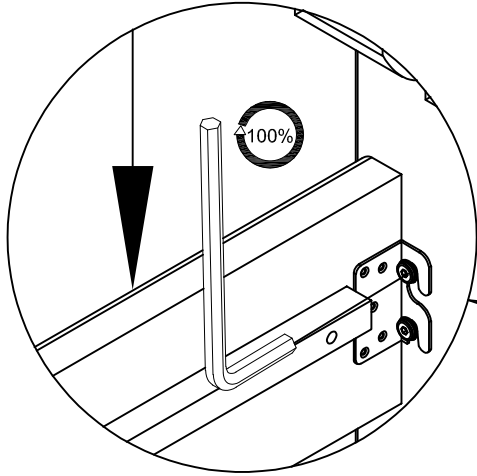
# STEP 3



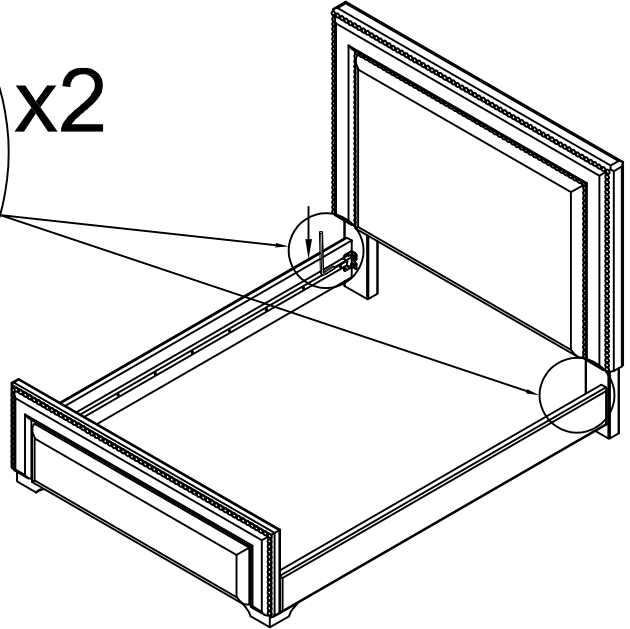
# STEP 4



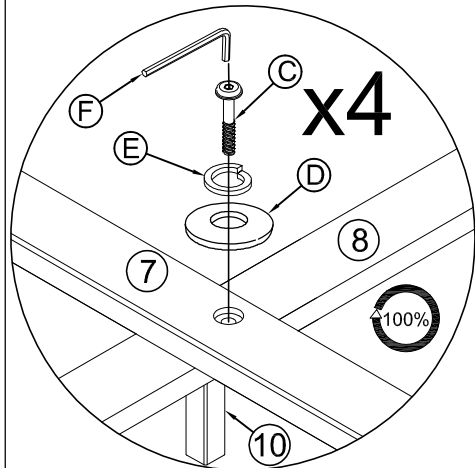
# STEP 5



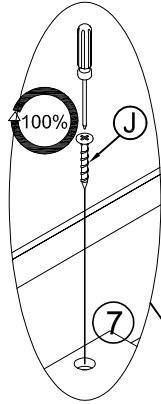
x2



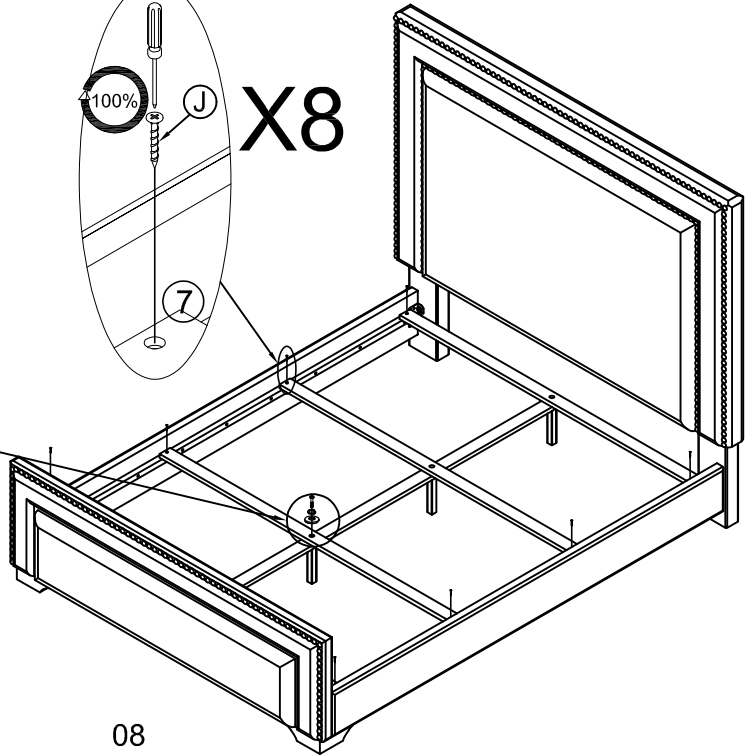
# STEP 6



x4



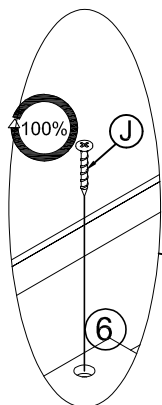
x8



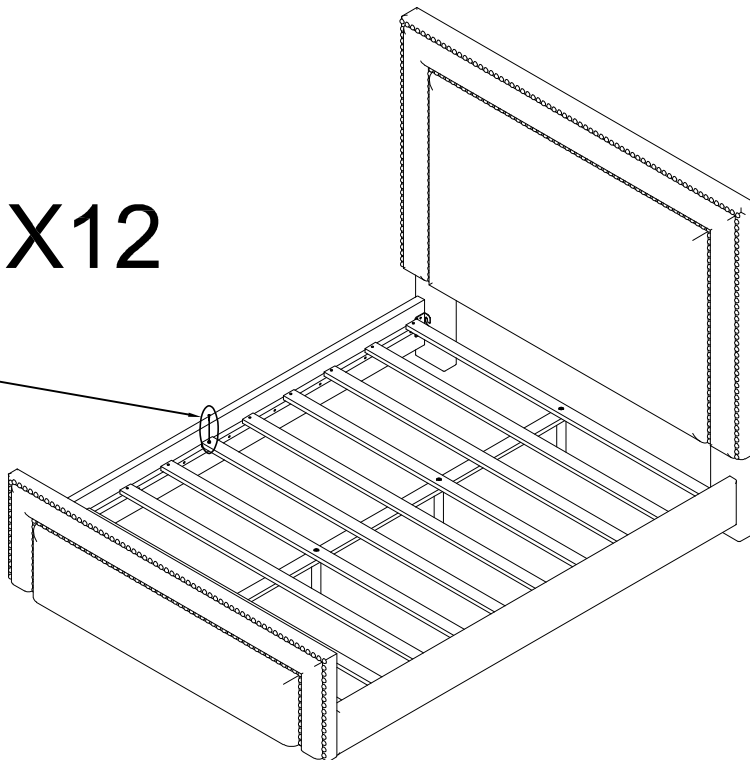
08

# STEP 7

Fx12



X12



# finish

