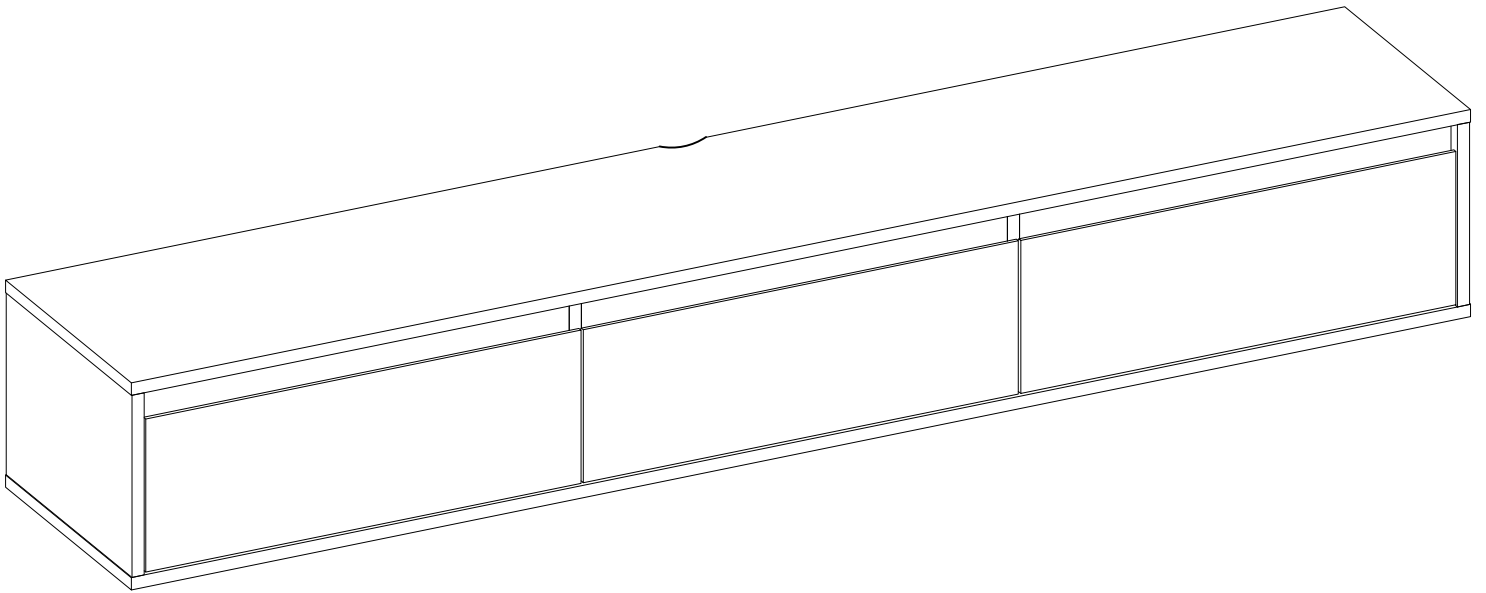
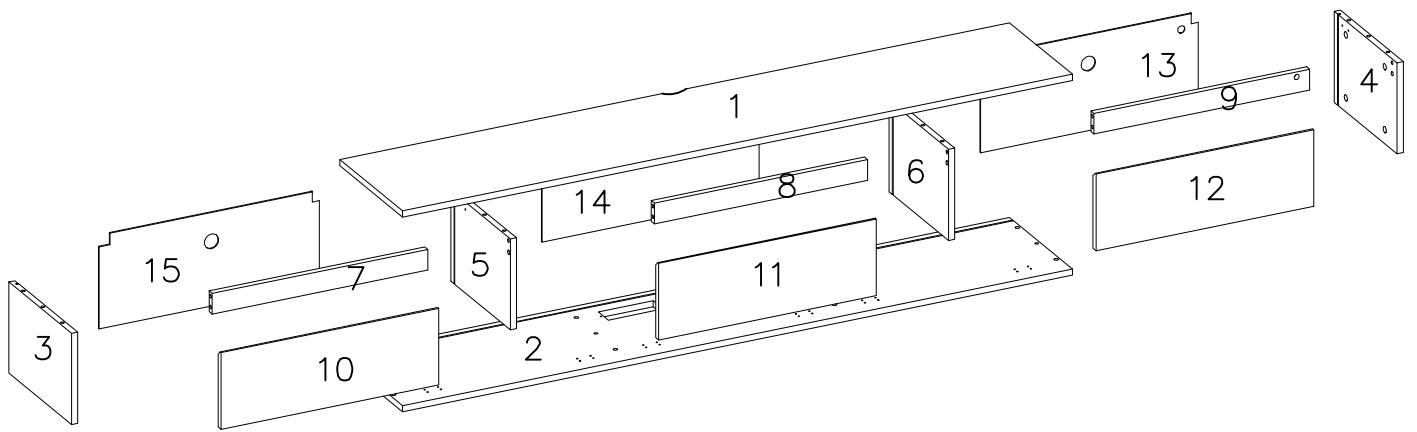
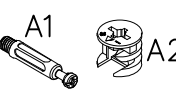
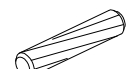

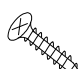



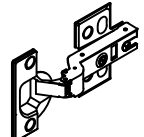
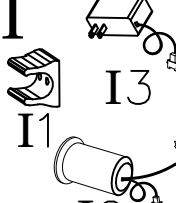
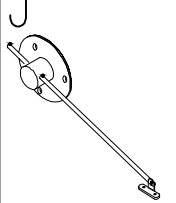
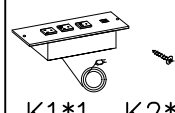
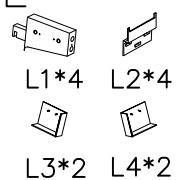
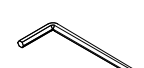

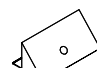

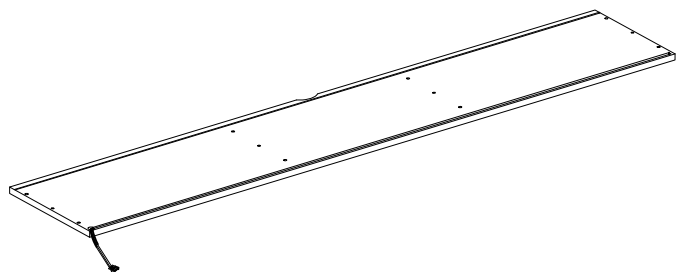

User's Manual





<p>A</p>  <p>A1 A2</p> <p>22pcs</p>	<p>B</p>  <p>$\phi 8 \times 30\text{mm}$</p> <p>10pcs</p>	<p>C</p>  <p>$\phi 3 \times 12\text{mm}$</p> <p>2pcs</p>	<p>D</p>  <p>$\phi 3.5 \times 14\text{mm}$</p> <p>63pcs</p>	<p>E</p>  <p>$\phi 3.5 \times 30\text{mm}$</p> <p>8pcs</p>	<p>F</p>  <p>$\phi 3.5 \times 40\text{mm}$</p> <p>8pcs</p>	<p>G</p>  <p>$8 \times 40\text{mm}$</p> <p>8pcs</p>	<p>H</p>  <p>6pcs</p>
<p>I</p>  <p>I1 I2 I3</p> <p>1pc</p>	<p>J</p>  <p>3pcs</p>	<p>K</p>  <p>K1*1 K2*2</p> <p>1pc</p>	<p>L</p>  <p>L1*4 L2*4 L3*2 L4*2</p> <p>1pc</p>	<p>M</p>  <p>1pc</p>	<p>N</p>  <p>22pcs</p>	<p>O</p>  <p>12pcs</p>	<p>P</p>  <p>$\phi 8 \times 50\text{mm}$</p> <p>2pcs</p>

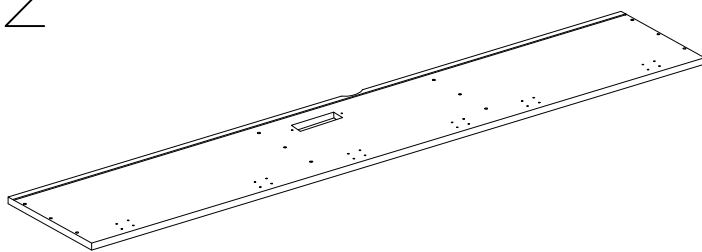
1



1650*310*15mm

1pc

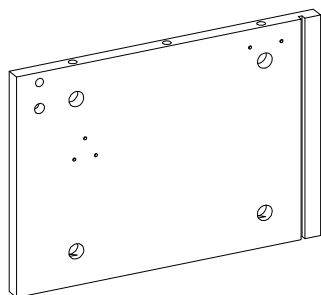
2



1650*310*15mm

1pc

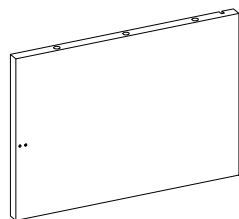
3



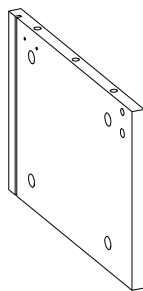
220*309*15mm

1pc

4



one side

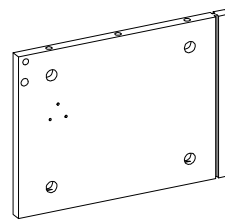


the other side

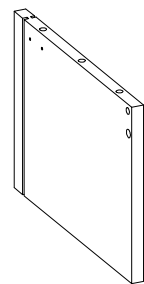
220*309*15mm

1pc

5



one side

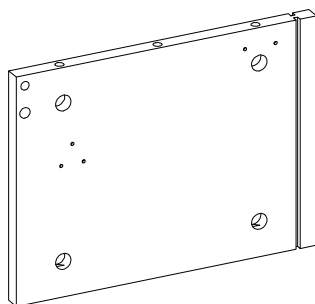


the other side

220*293*15mm

1pc

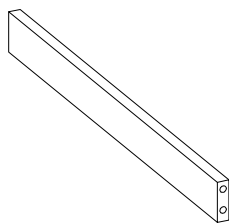
6



220*293*15mm

1pc

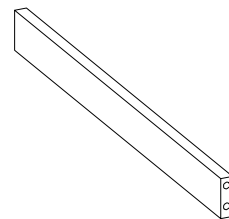
7



531.5*50*15mm

1pc

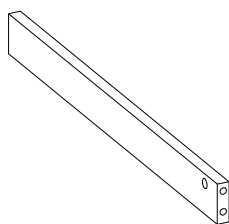
8



525*50*15mm

1pc

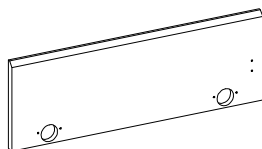
9



531.5*50*15mm

1pc

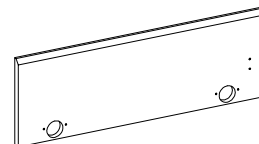
10



536*185*15mm

1pc

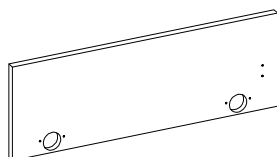
11



536*185*15mm

1pc

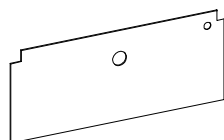
12



536*185*15mm

1pc

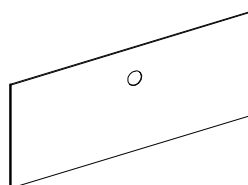
13



230*540*3mm

1pc

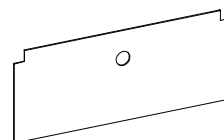
14



230*533*3mm

1pc

15



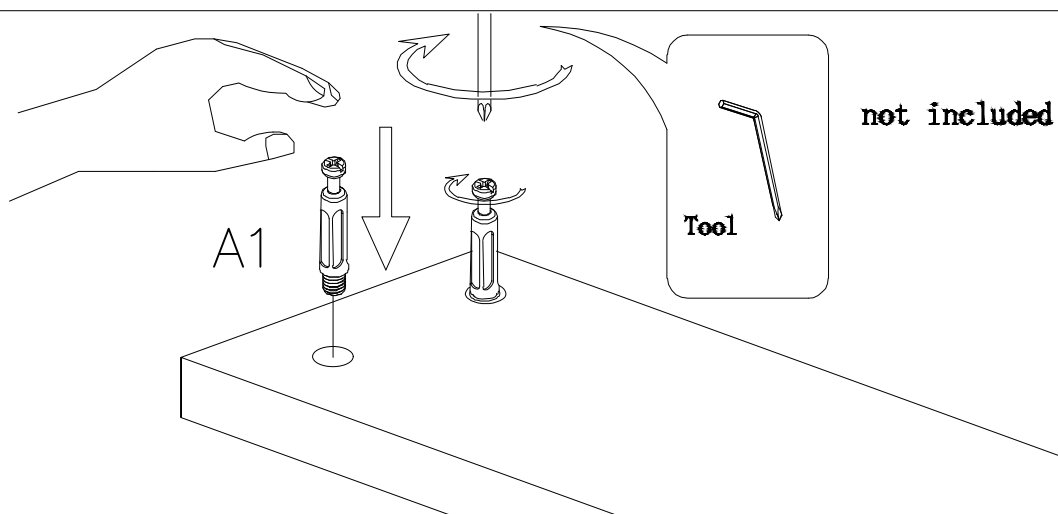
230*540*3mm

1pc

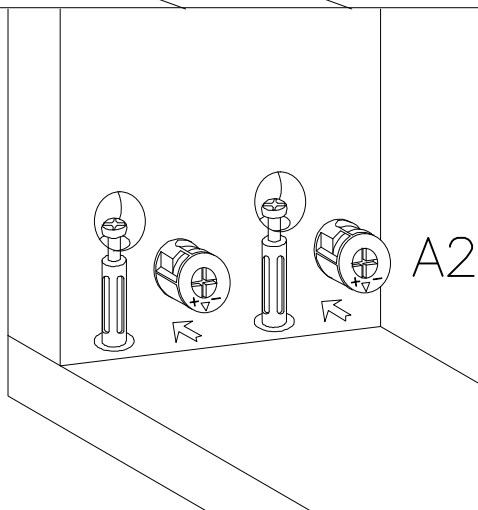
Hardware installation demonstration

NOTE: Please make sure
"A1" hardware tightened
and can't be pulled out!

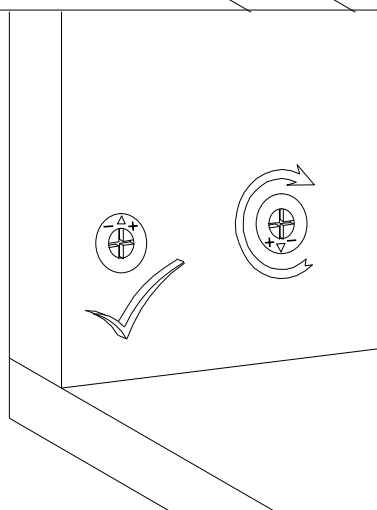
I



II



III



STEP 1

A1

M

K2

K1

2

	A1 × 8PCS
	K2 × 2PCS
	M × 1PC
	K1 × 1PC

STEP 2

3

4

5

5

6

6

one side

the other side

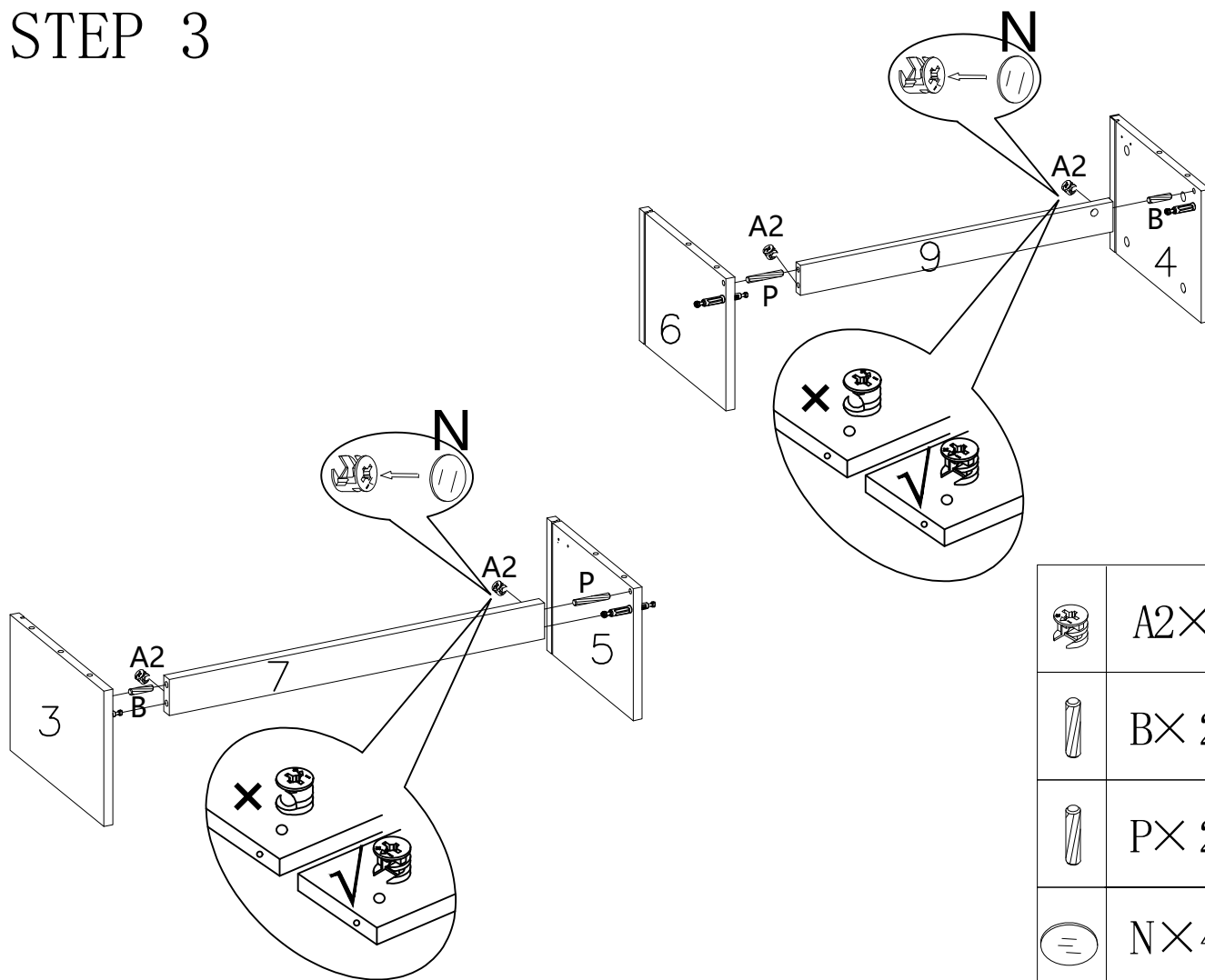
one side





the other side

A1

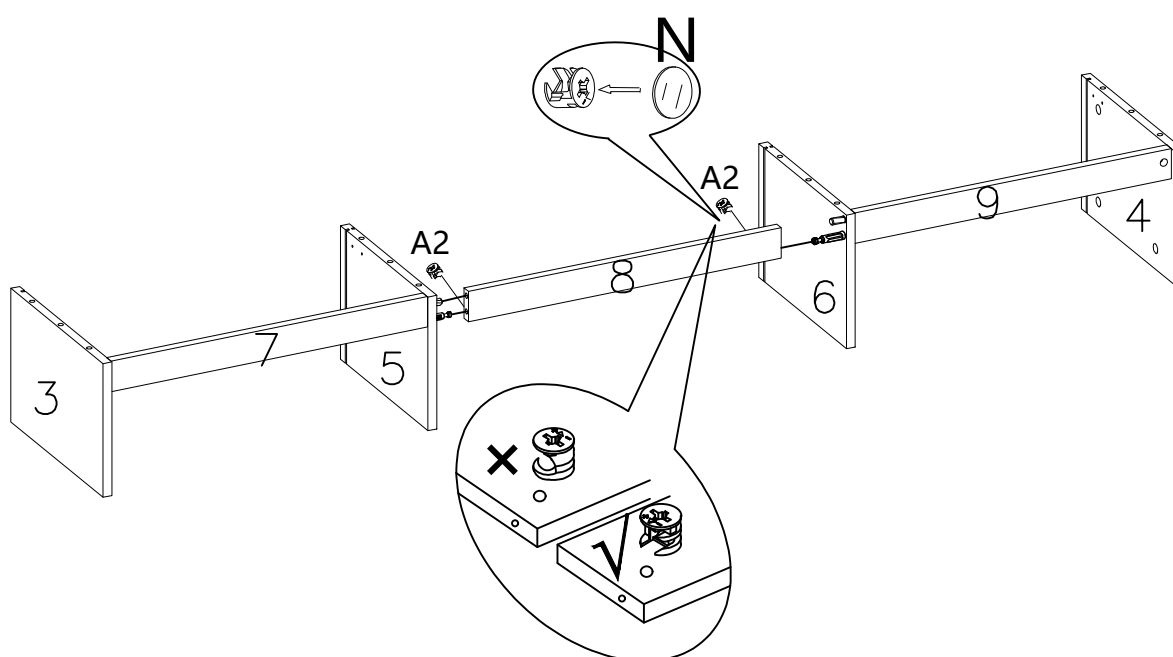
	A1 × 6PCS
--	-----------



STEP 3



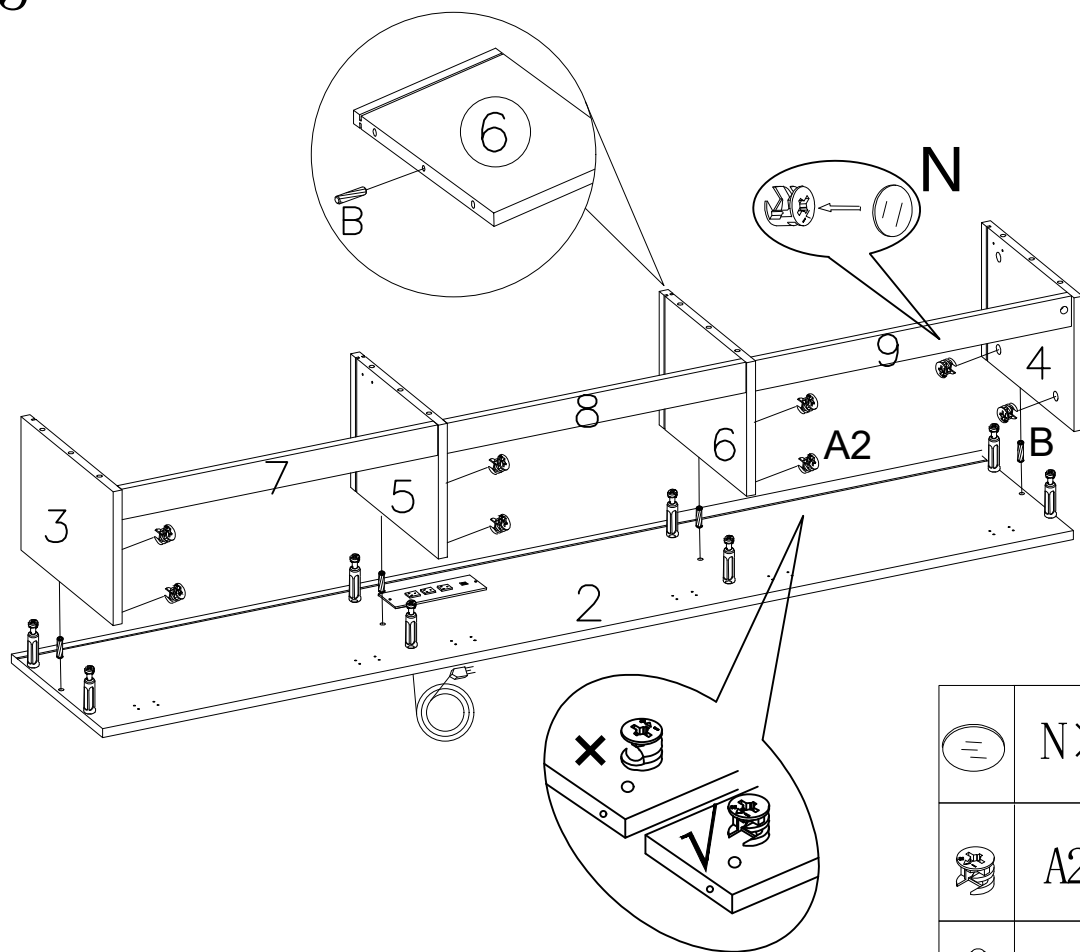
	A2× 4PCS
	B× 2PCS
	P× 2PCS
	N× 4PCS



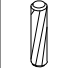
STEP 4



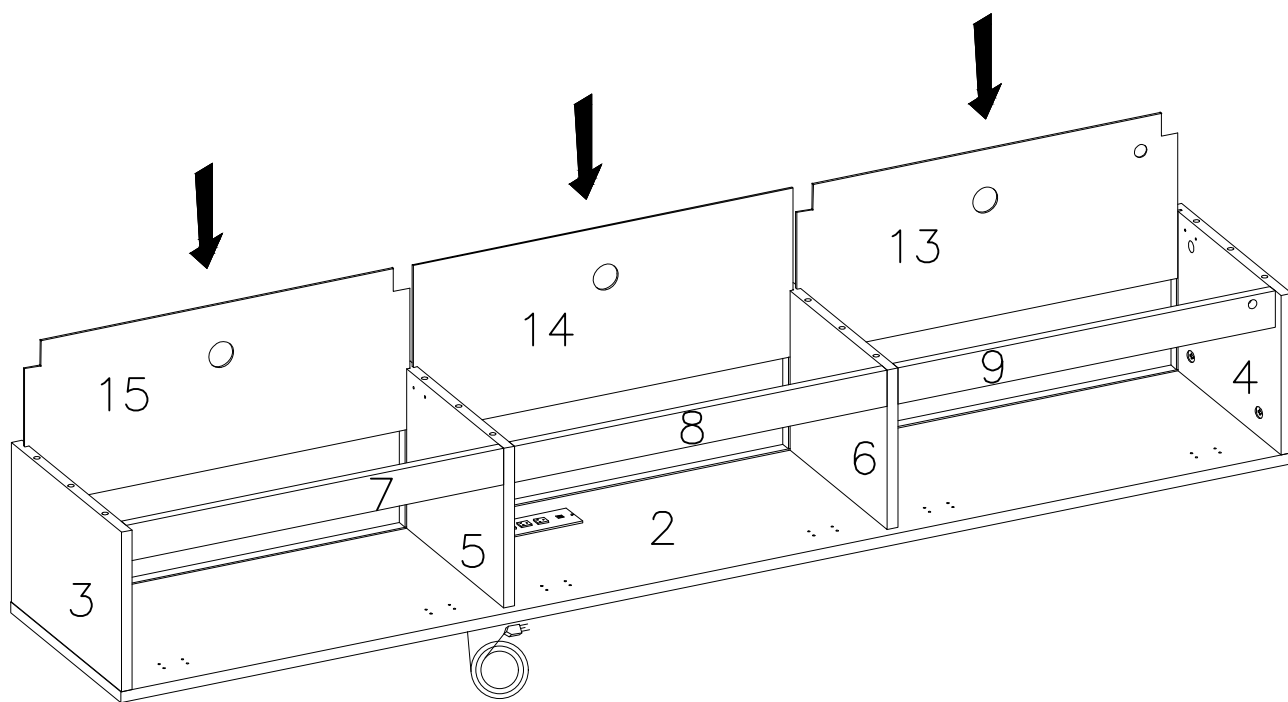
	A2× 2PCS
	N× 2PCS

STEP 5

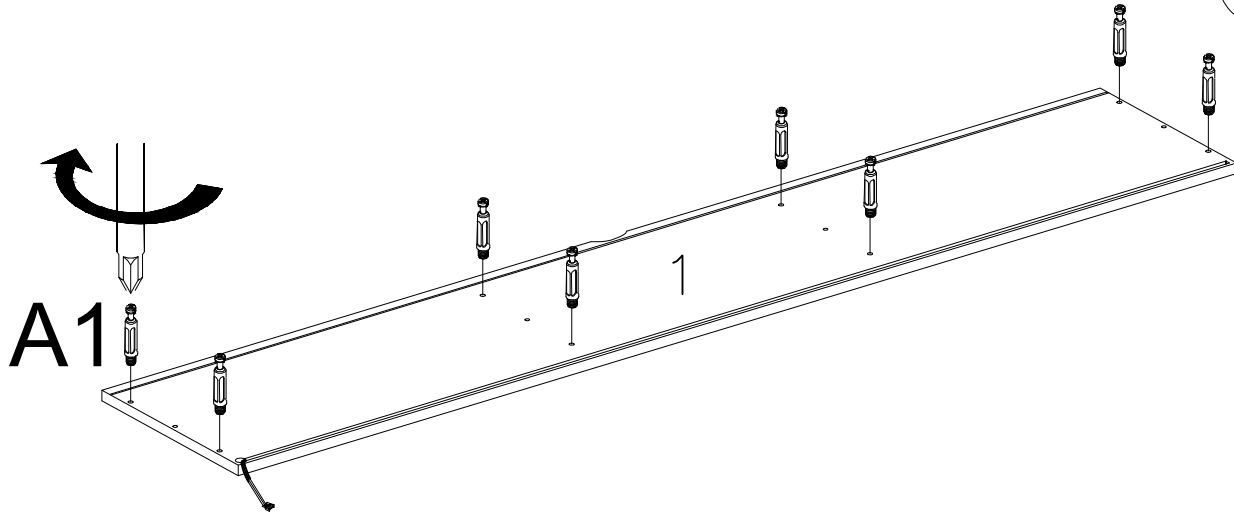
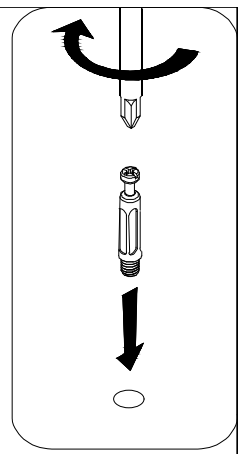
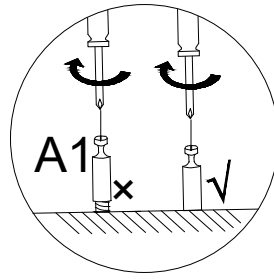



	N × 8PCS
	A2 × 8PCS
	B × 4PCS

STEP 6

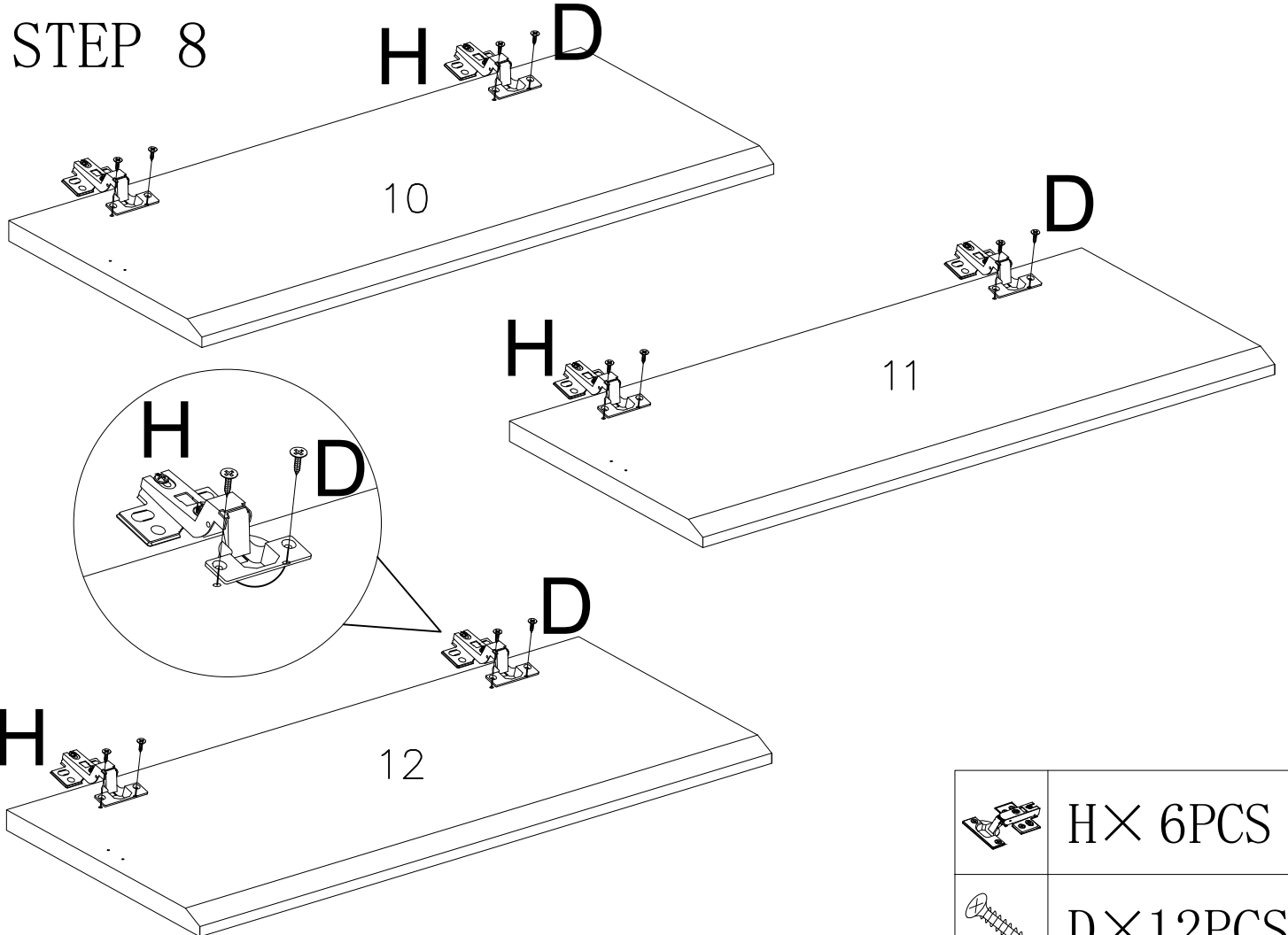




STEP 7



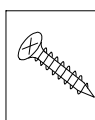
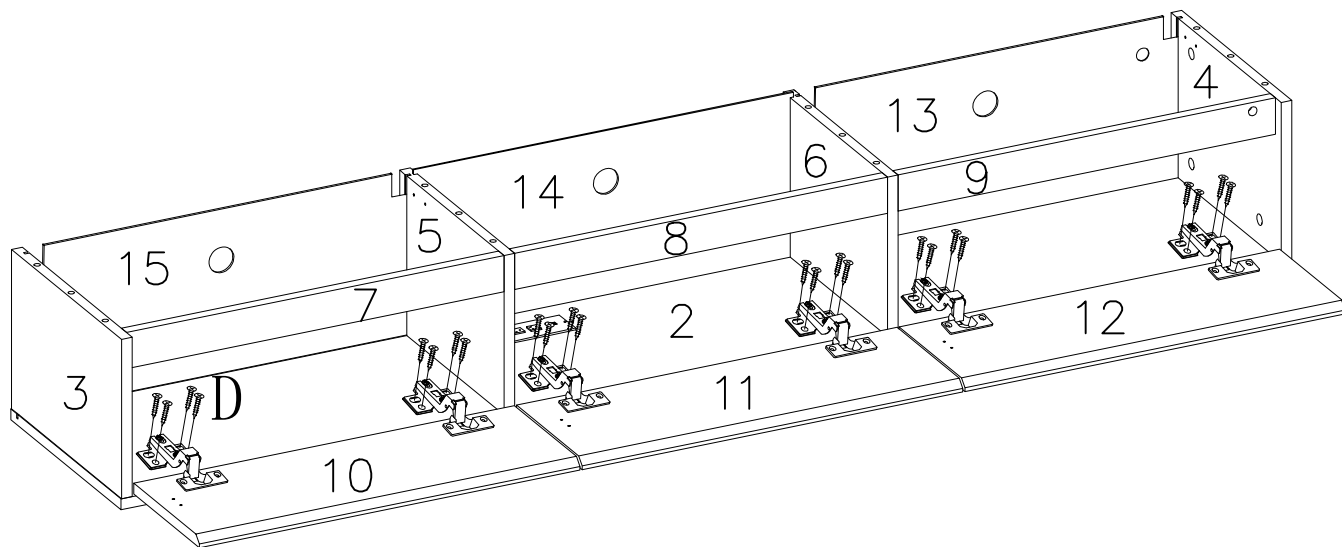
	A1 × 8PCS
---	-----------

STEP 8



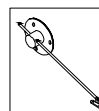
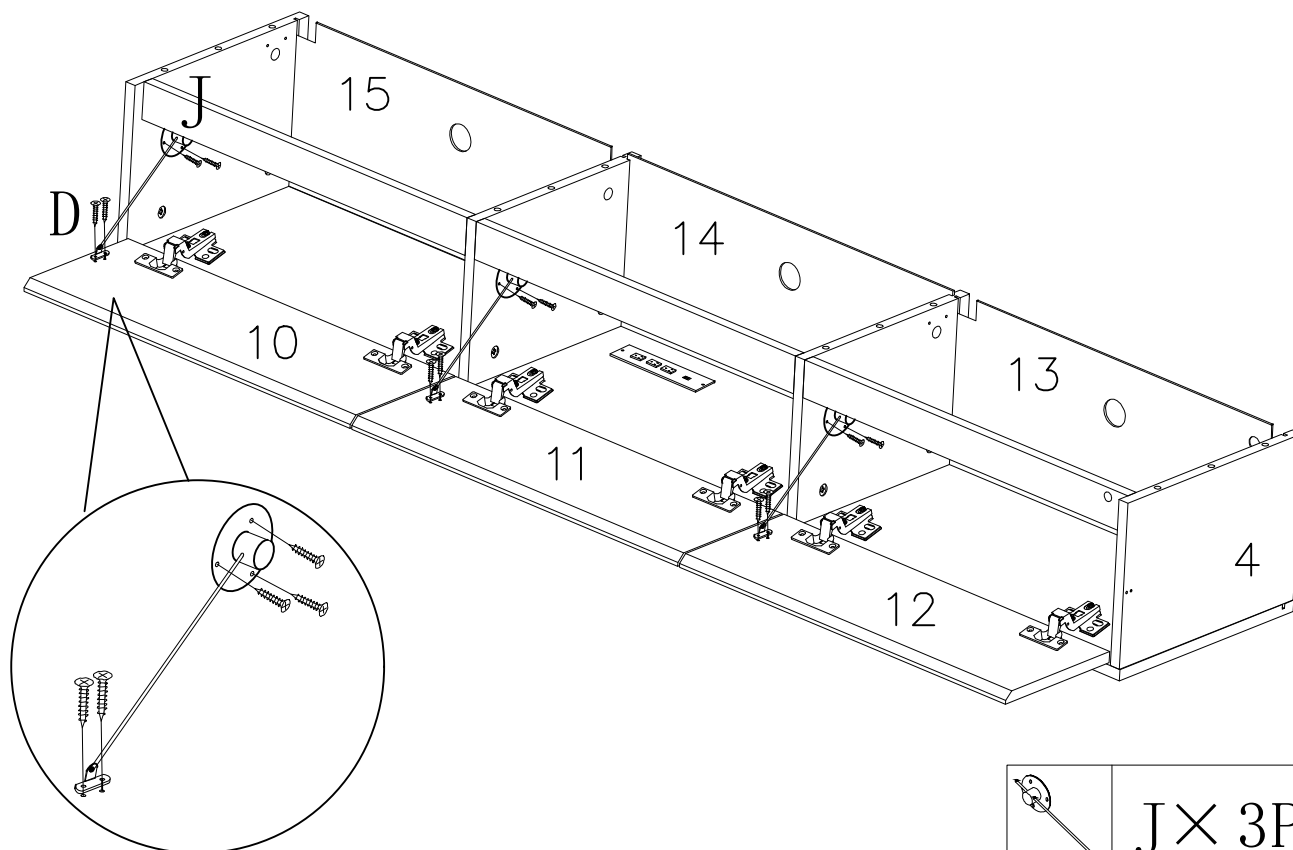
	H × 6PCS
	D × 12PCS

STEP 9



D × 24PCS

STEP 10

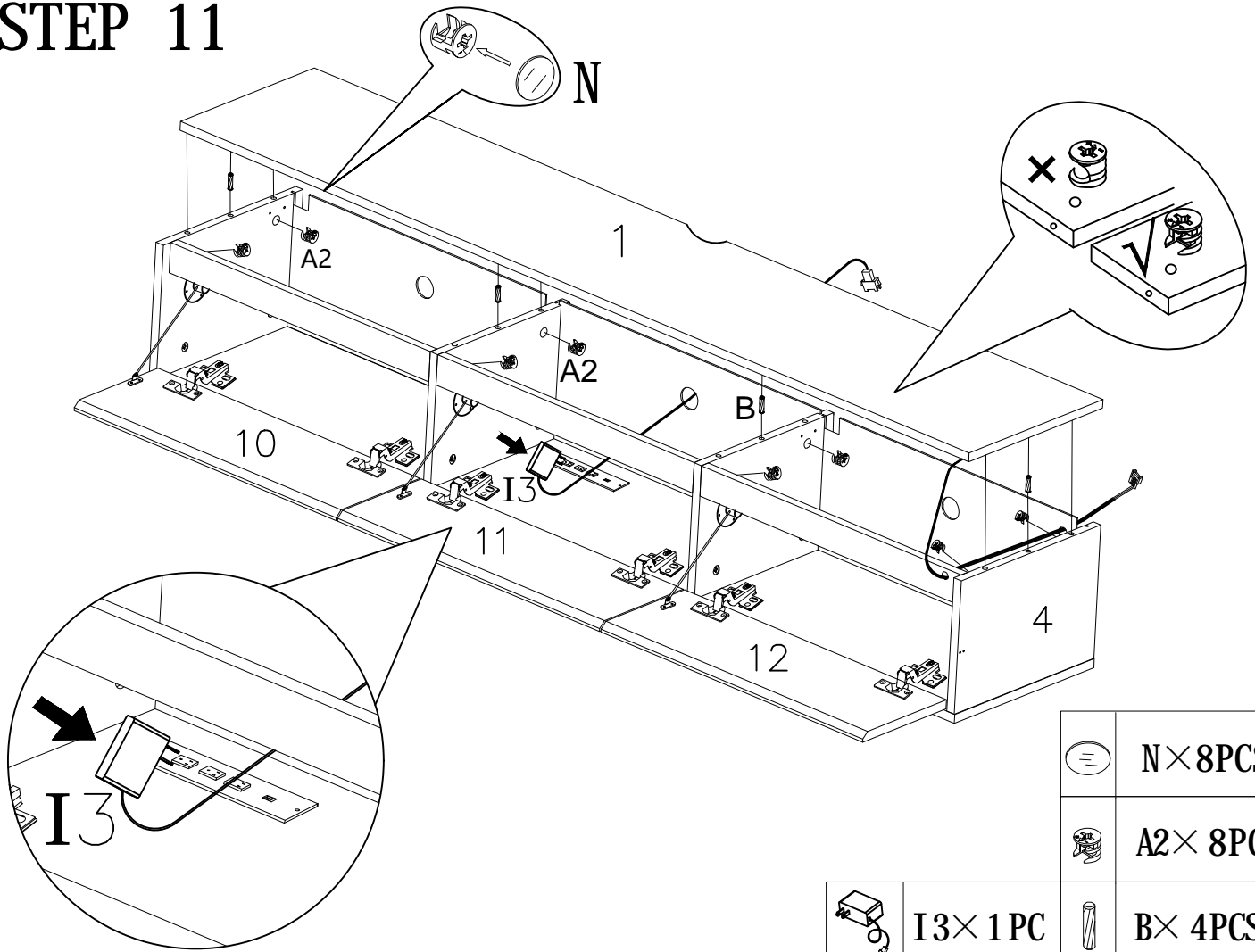


J × 3PCS

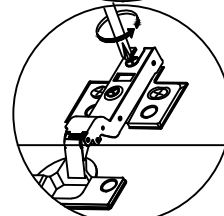
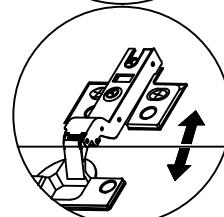
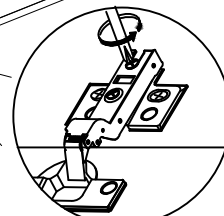
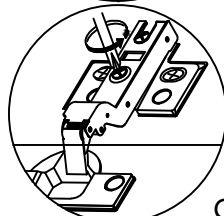
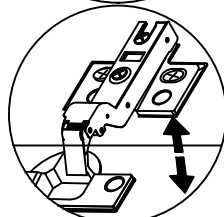
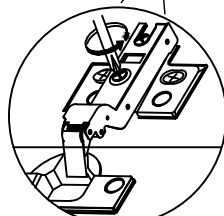
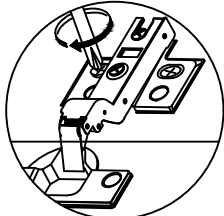
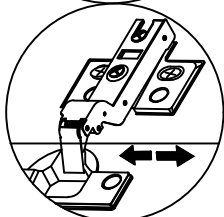
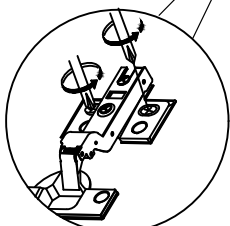
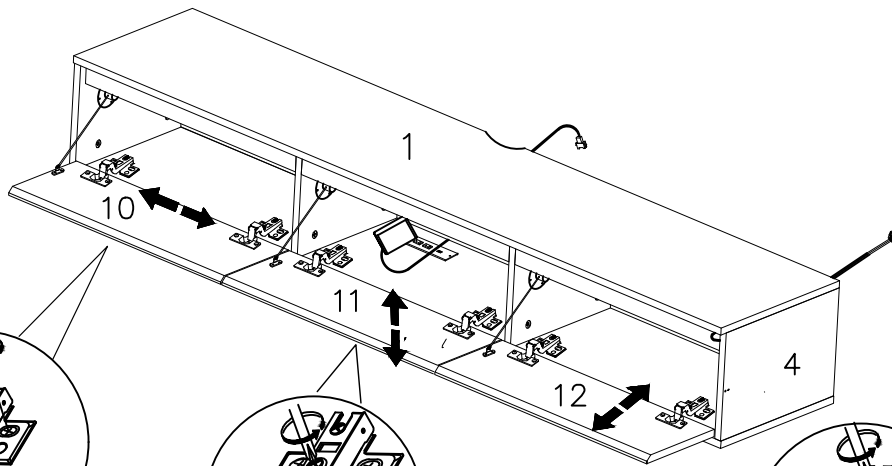


D × 15PCS

STEP 11



STEP 12

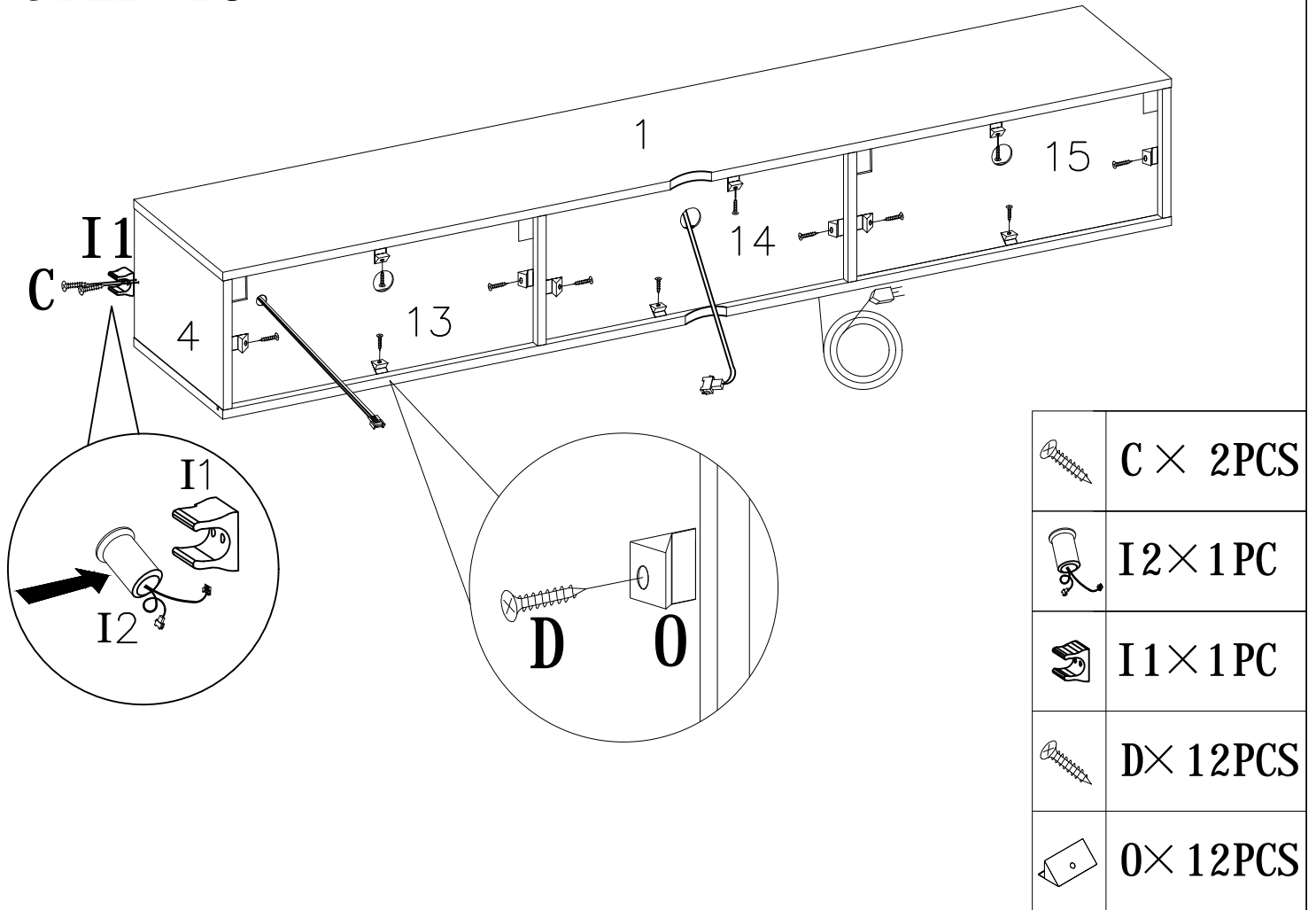


Fine-tune the gap after the cabinet door is closed

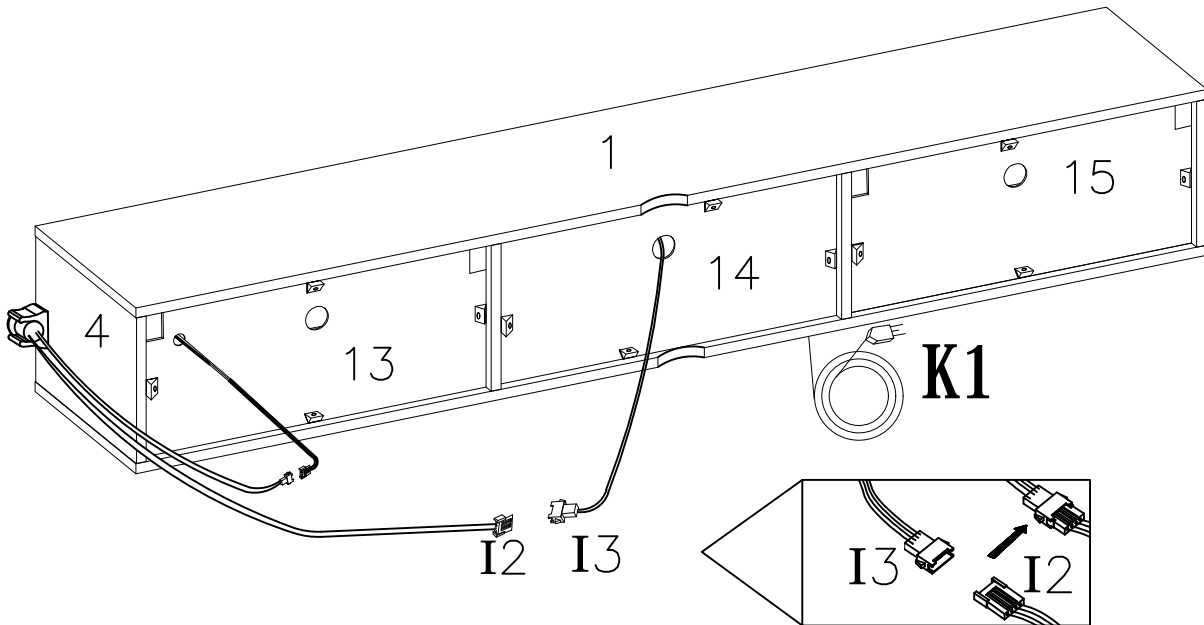
Cabinet door left and right fine adjustment

Cabinet door up and down fine adjustment

STEP 13



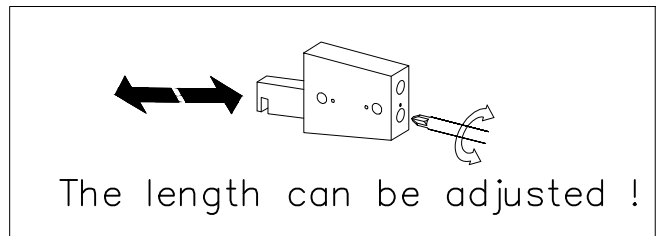
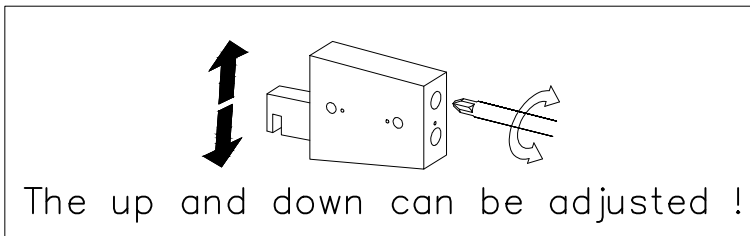
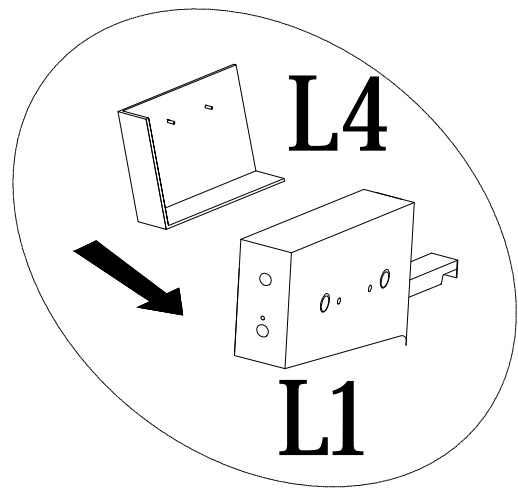
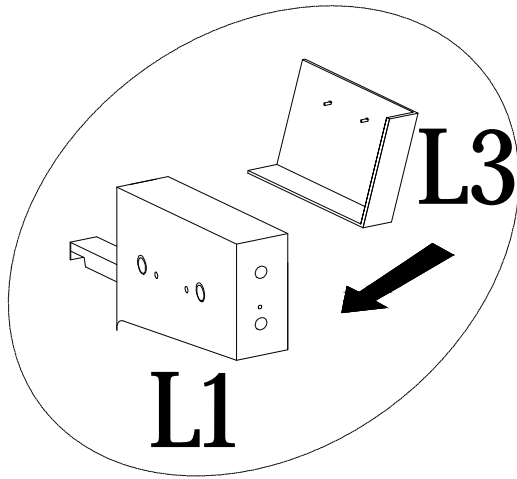
STEP 14



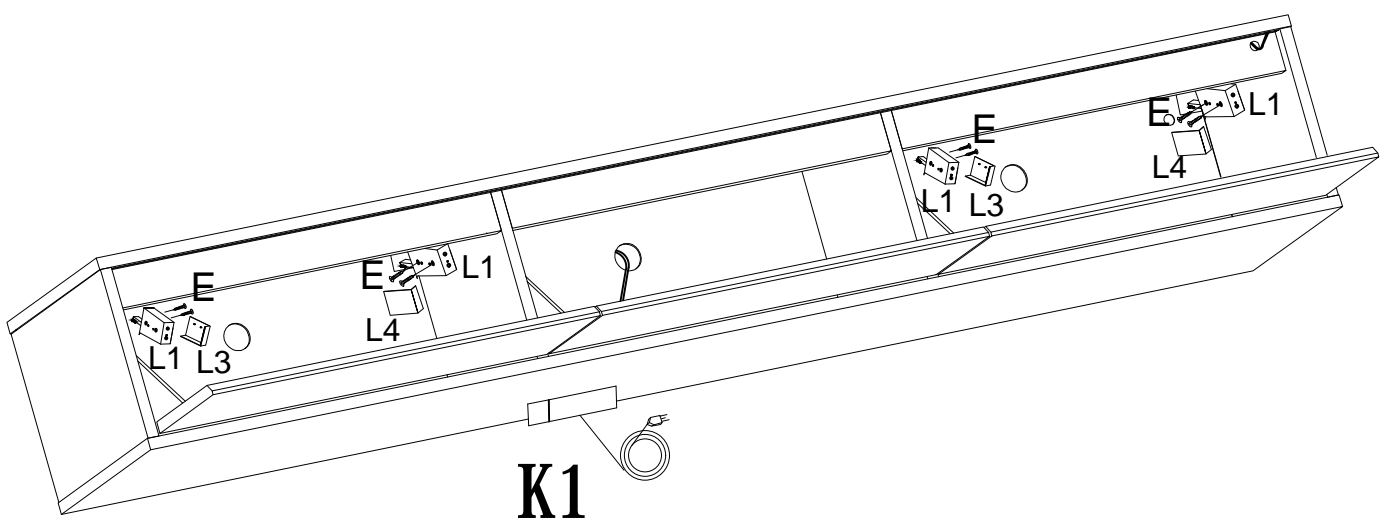
I2 and I3 are connected;
Light Strip and I2 connected



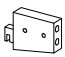

lug the K1 into the power supply !

STEP 15



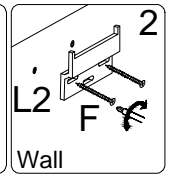
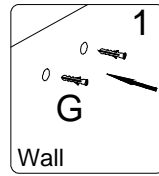
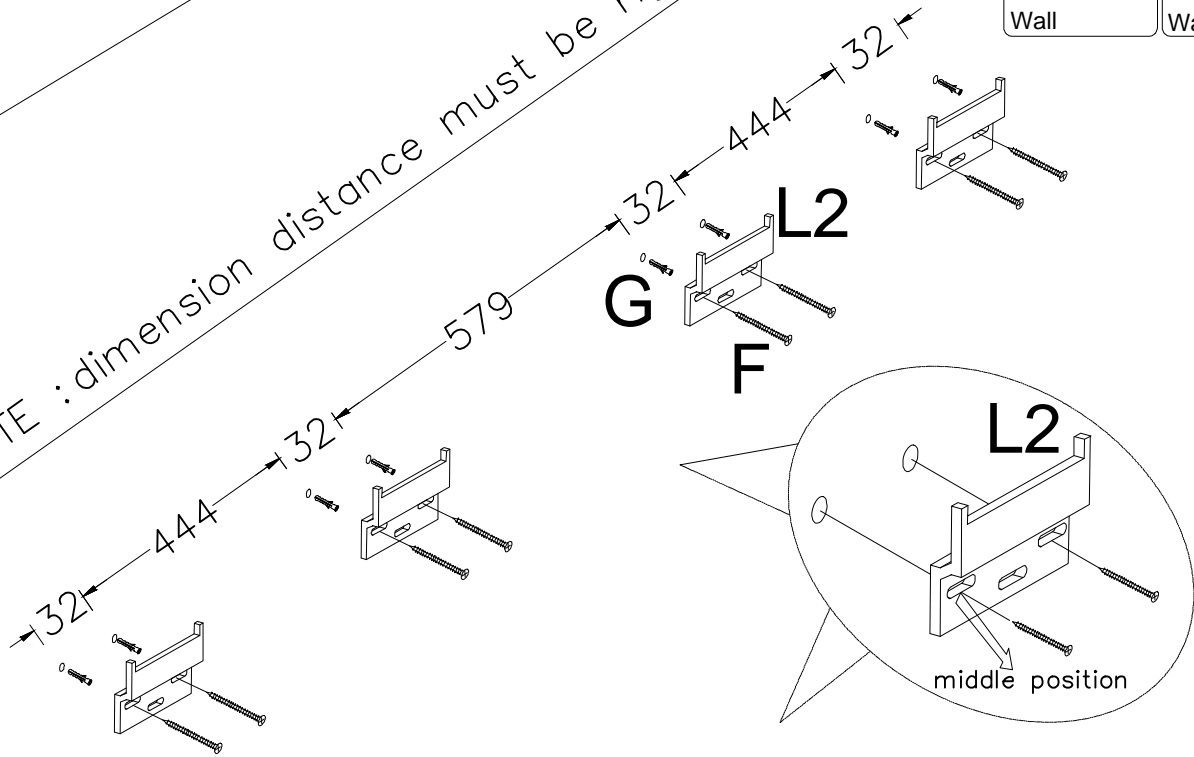
STEP 16



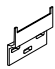


	E × 8PCS		L3 × 2PCS
	L1 × 4PCS		L4 × 2PCS

STEP 17

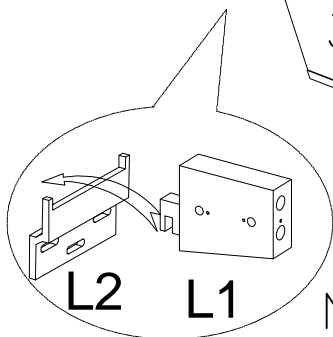
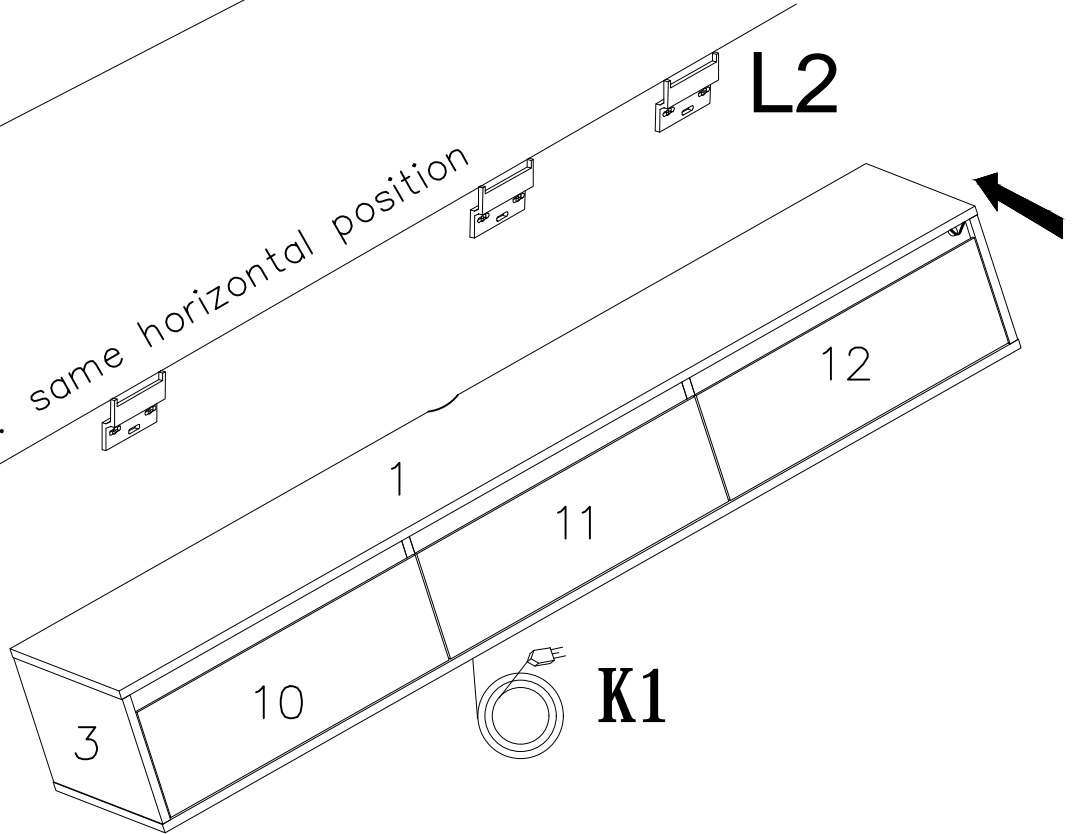
NOTE : dimension distance must be right !



	F × 8PCS		G × 8PCS		L2 × 4PCS
---	-----------------	---	-----------------	---	------------------

STEP 18

NOTE : same horizontal position



NOTE : install the cabinet on the L2 !

IMPORTANT-READ CAREFULLY-RETAIN FOR FUTURE REFERENCE

WARNING:

- Children must stay away from the assembly zone, preventing children from potential asphyxia because of plastic bag and foam breathing in nose;
- For your safety, please do not tread or climb product.
- The loading weight shall be within the range that vendor claims. The product is designed for adults use, domestic use and indoor use only.
- The product shall not combine with other product for use.
- If the product with seat height adjustments with energy accumulators that only trained personnel may replace or repair seat height adjustment components with energy accumulators
- Check regularly that all assembly fastenings are properly tightened, do not use the product if any structural part is broken or missing
- Incorrect installation and incorrect use can cause accidents. Please completely follow the guidance of assembly instruction.

Security instructions:

- Before assembling check whether all parts listed in the parts list have been delivered. Do not start assembling if parts are missing or damaged.
- A failure to assemble this product correctly could cause damage or result in serious injury! Before assembling make sure that you have enough space for the procedure. Assemble on a flat surface.
- Keep the assembly instructions available at all times and follow each of the individual steps exactly.
- During assembly, be careful with all the parts of the assembly (do not walk on them or distort them) and beware of shearing and trapping risks. Keep children and pets away while setting up the furniture.