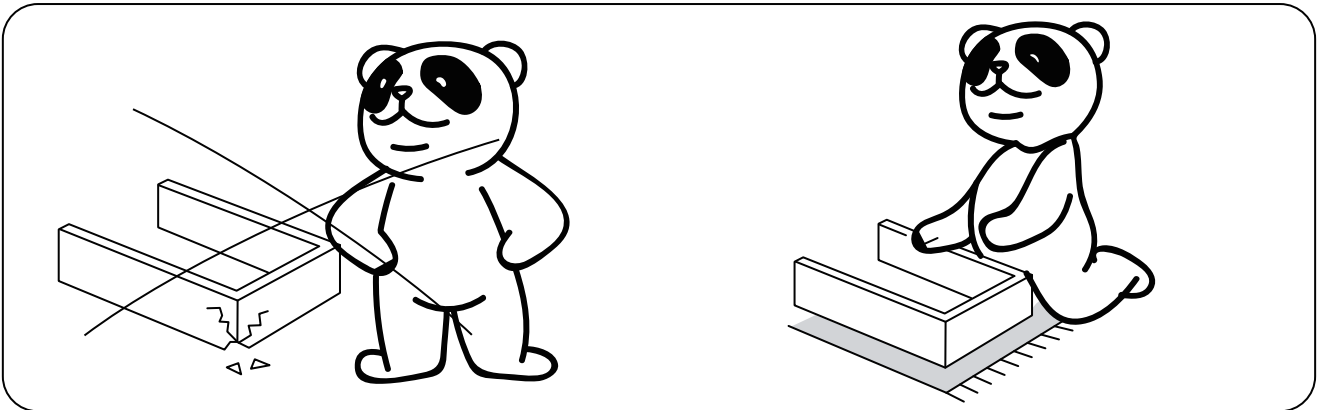
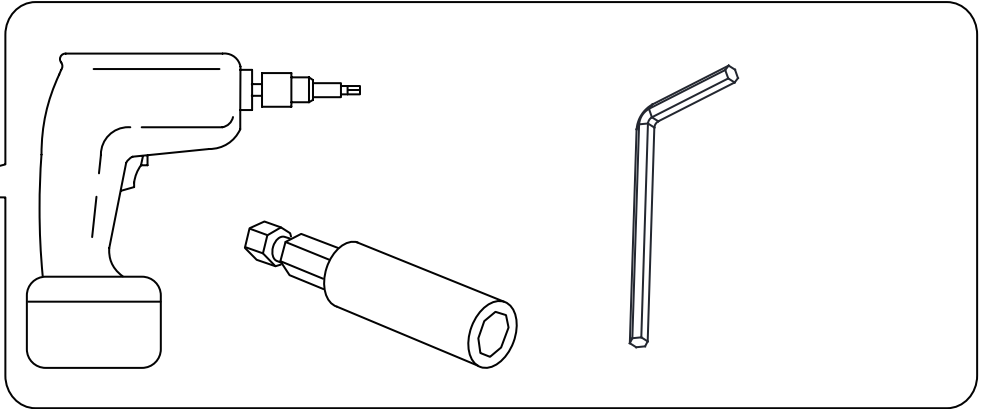
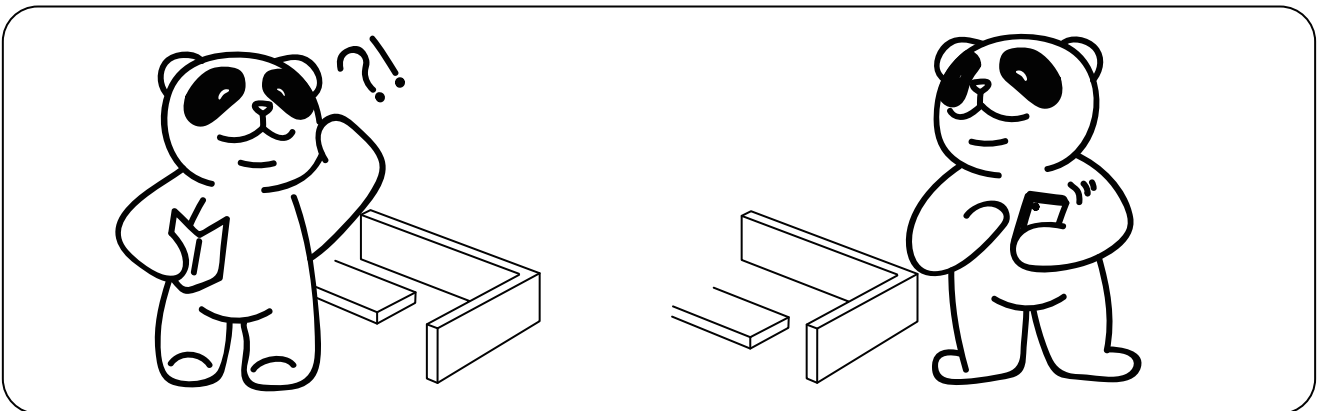


Installation & Assembly Loft Bed

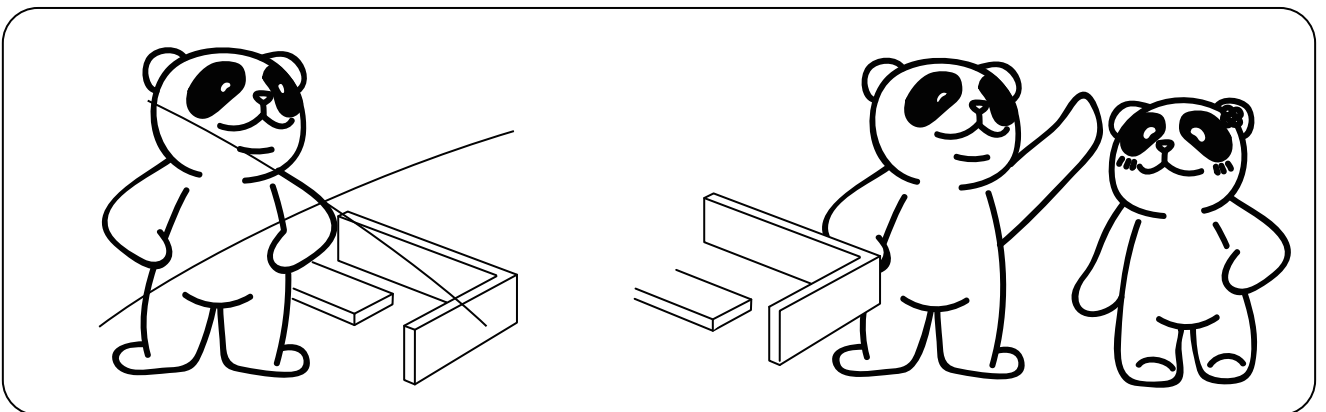




Violent installation is prohibited



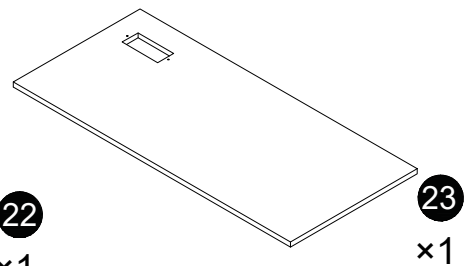
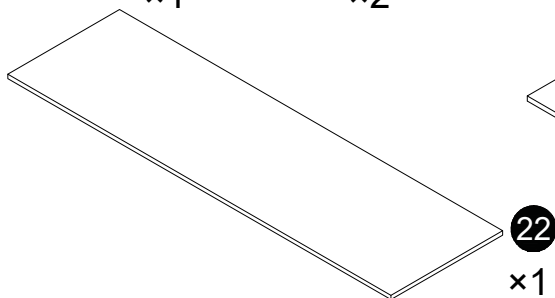
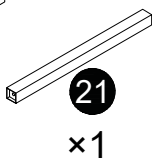
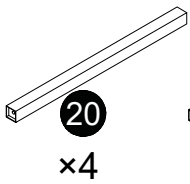
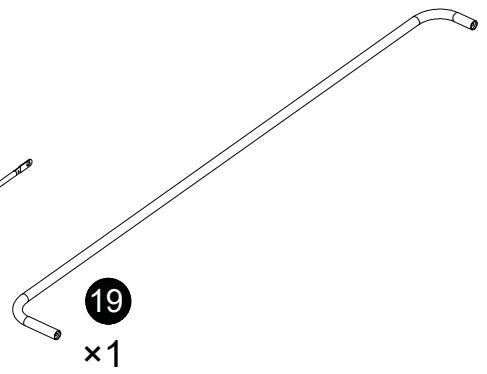
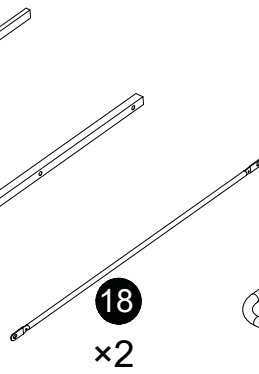
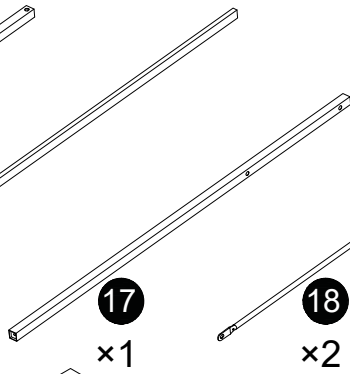
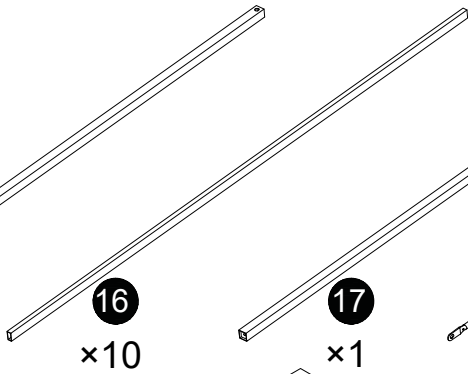
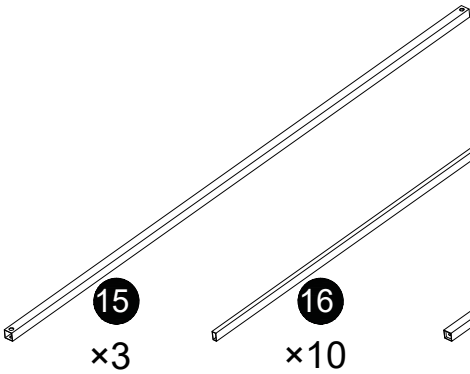
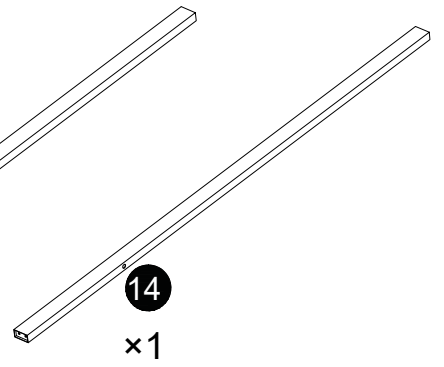
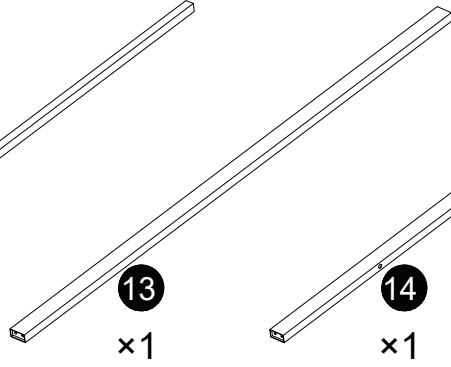
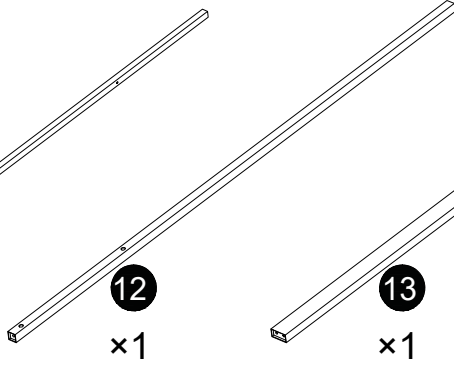
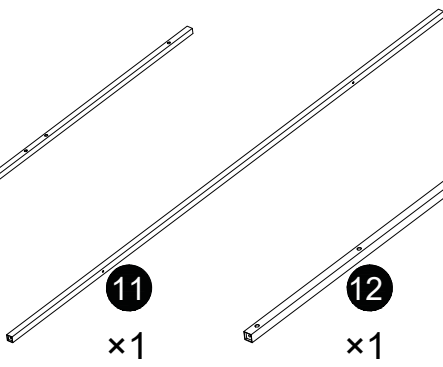
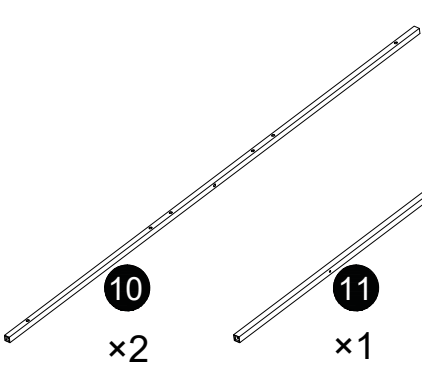
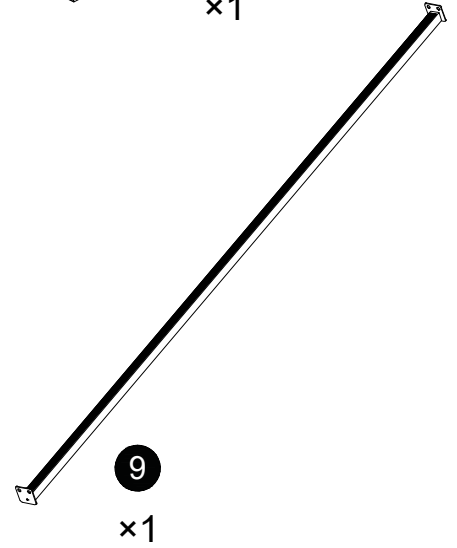
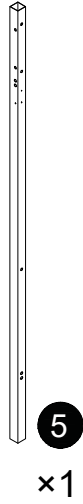
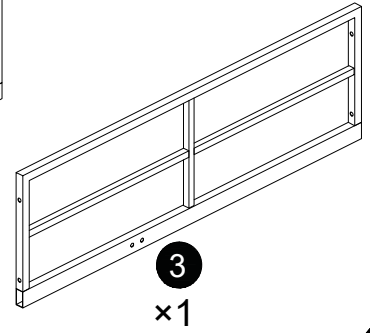
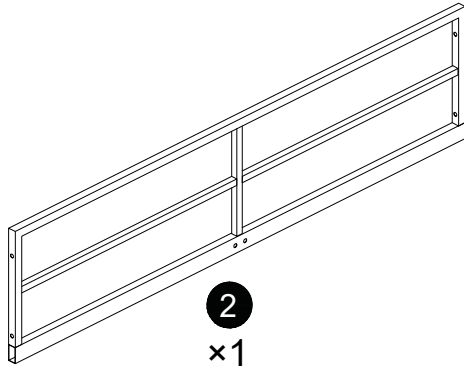
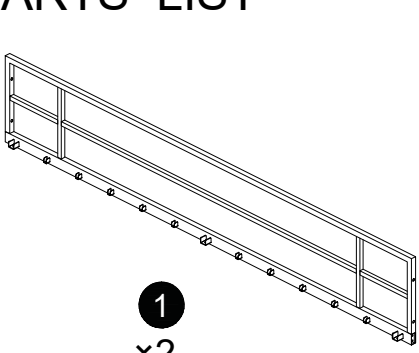
Please call if you need help



Multi-person cooperation is recommended

Install parts

PARTS LIST



HARDWARE LIST



A

M6*12
x19+1



B

M6*25
x10+1



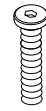
C

M6*28
x11+1



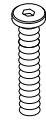
D

M6*32
x2



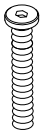
E

M6*40
x11+1



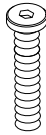
F

M6*50
x14+1



G

M6*60
x6



H

M8*60
x16+1



I

3.5*12
x2



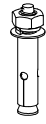
J

M6*17
x20+2



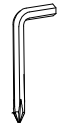
K

φ18*8
x44+4



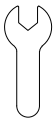
L

M8*60
x2



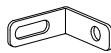
M

M4
x2



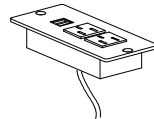
N

x1



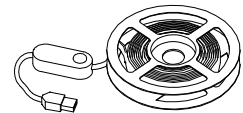
O

x2



P

x1



Q

x1



R

x1



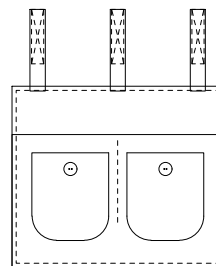
S

x3



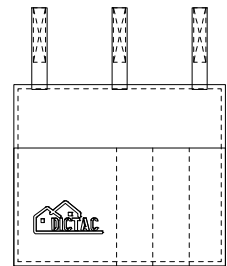
T

x4



U

x1

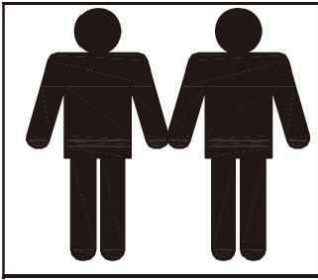


V

x1

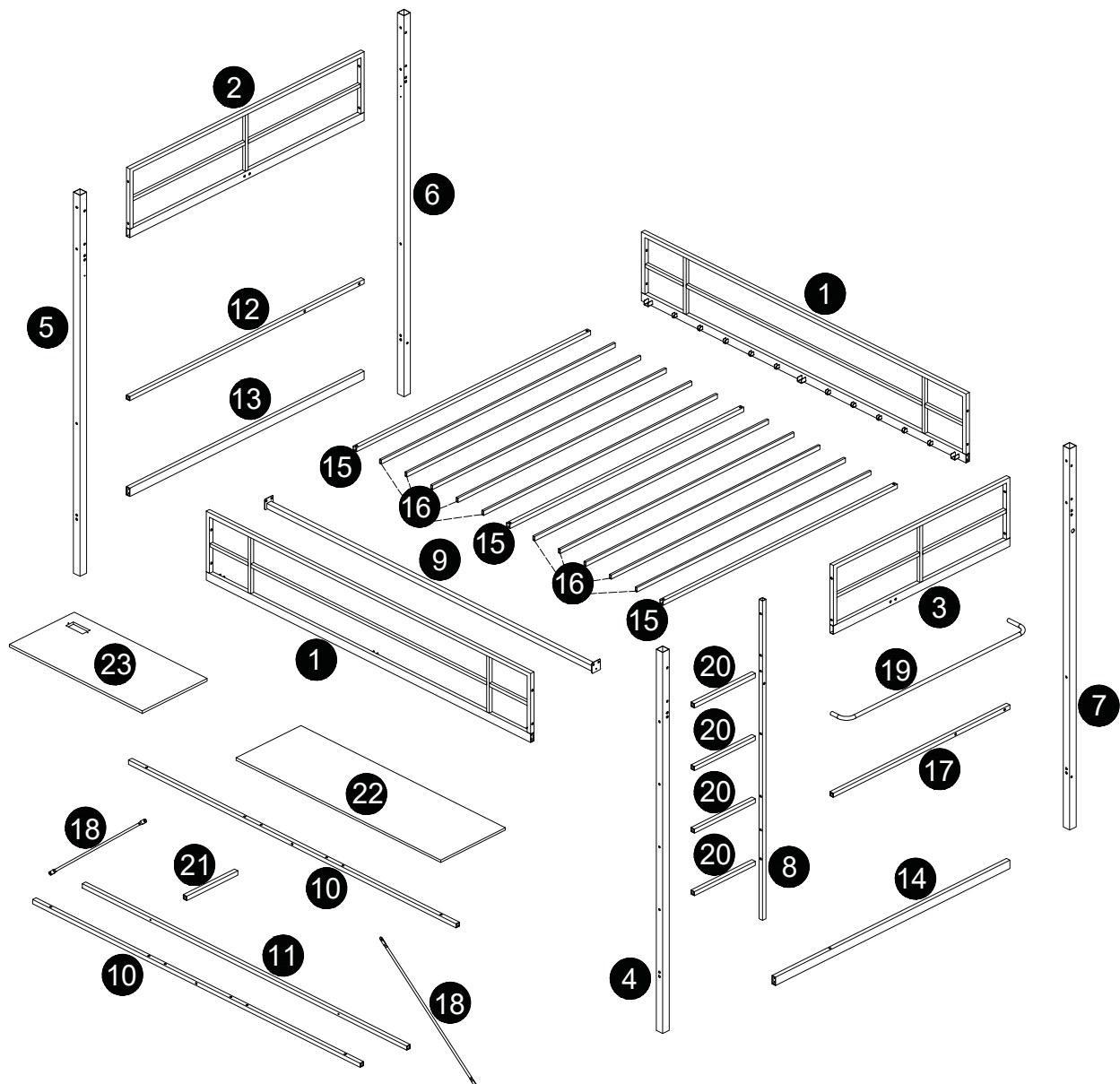
Note:

1. Should be assembled on flat ground to keep balance.
2. Before completing the installation, do not tighten the screws.

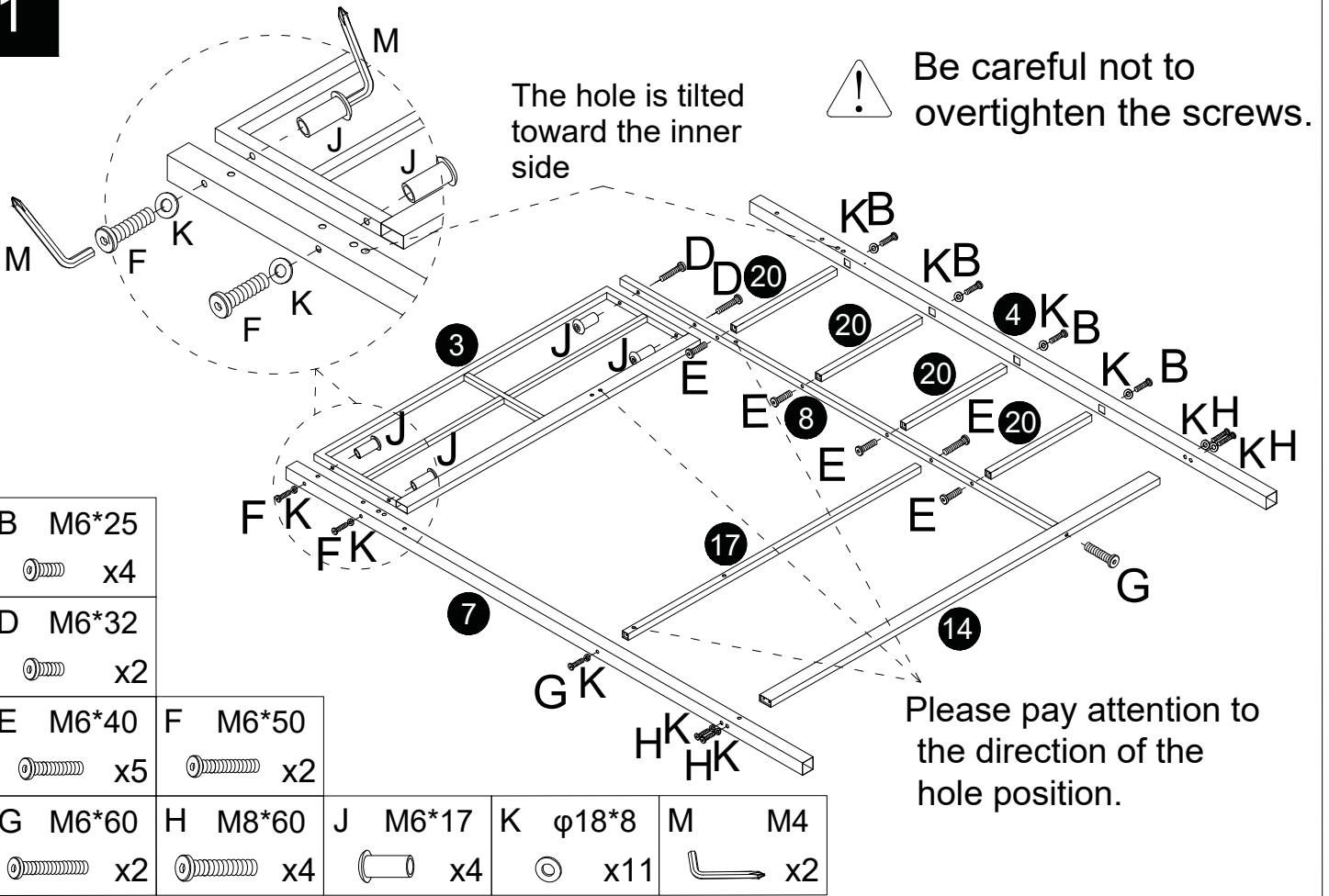


**Before starting the assembly,
you must read the whole manual
and follow the instructions**

**It needs at least
two people to install.**



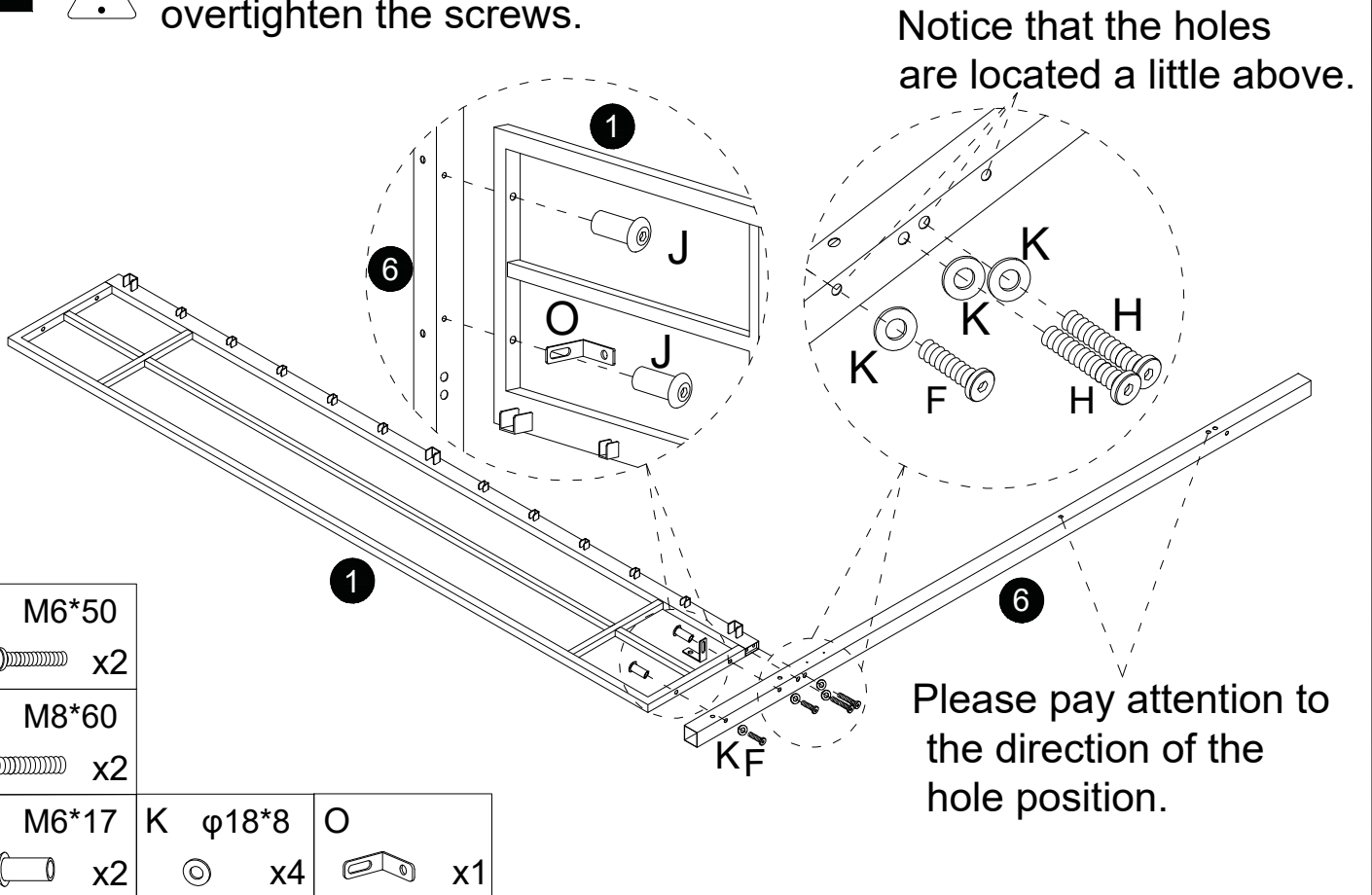
1



2



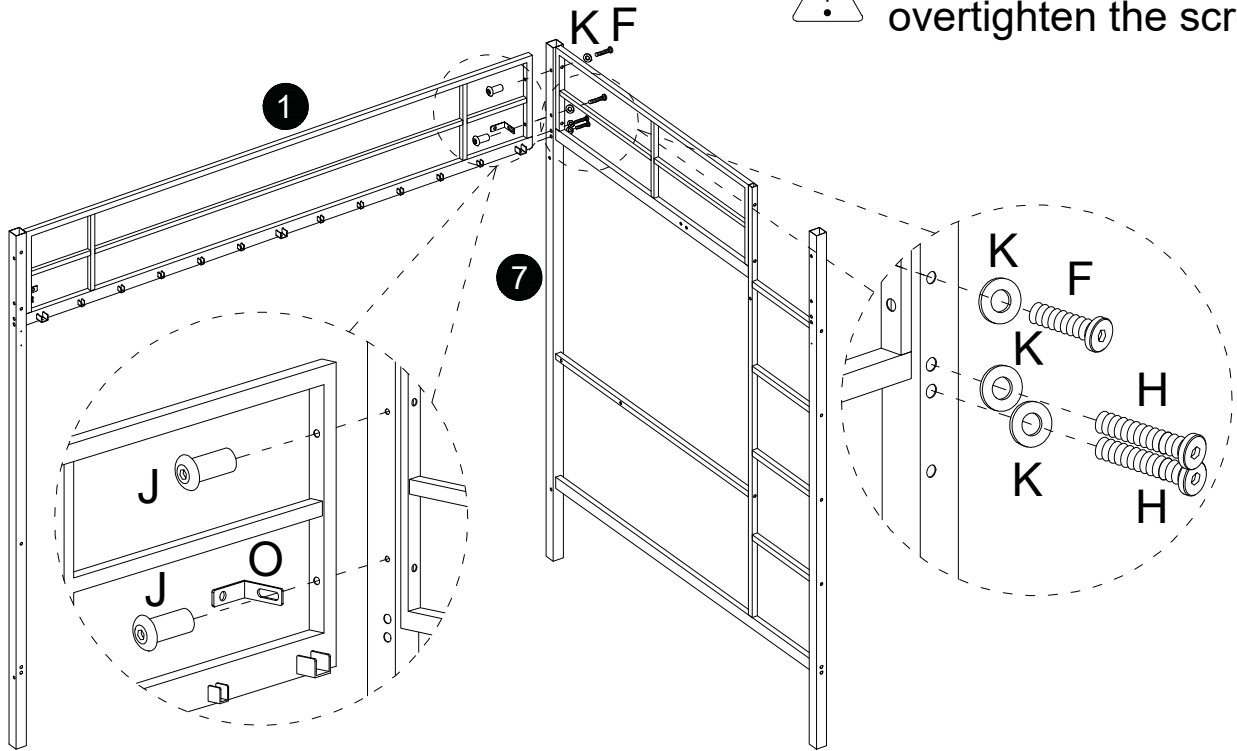
Be careful not to overtighten the screws.



3



Be careful not to overtighten the screws.



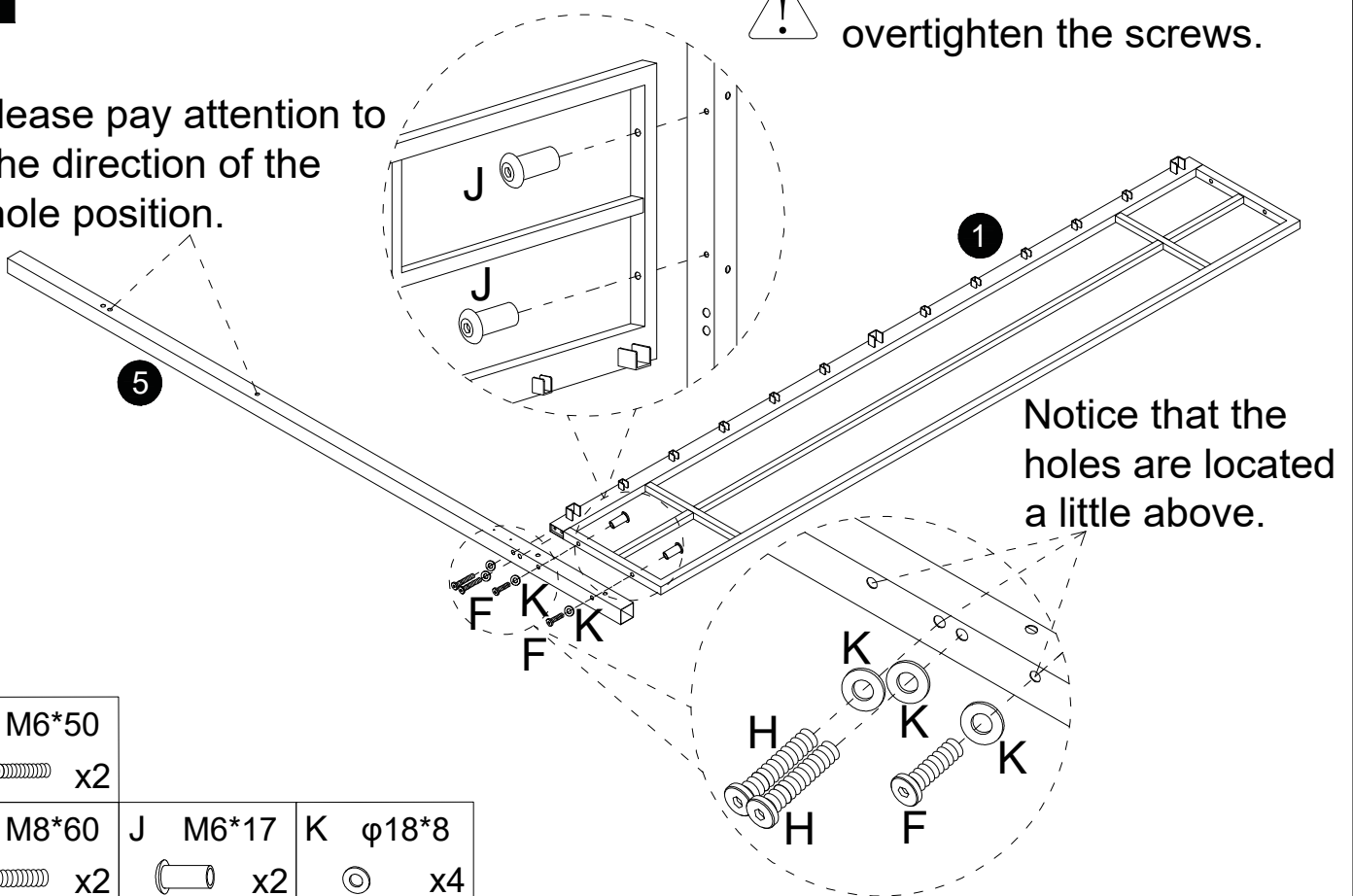
F	M6*50	H	M8*60	J	M6*17	K	φ18*8	O	
	x2		x2		x2		x4		x1

4



Be careful not to overtighten the screws.

Please pay attention to the direction of the hole position.

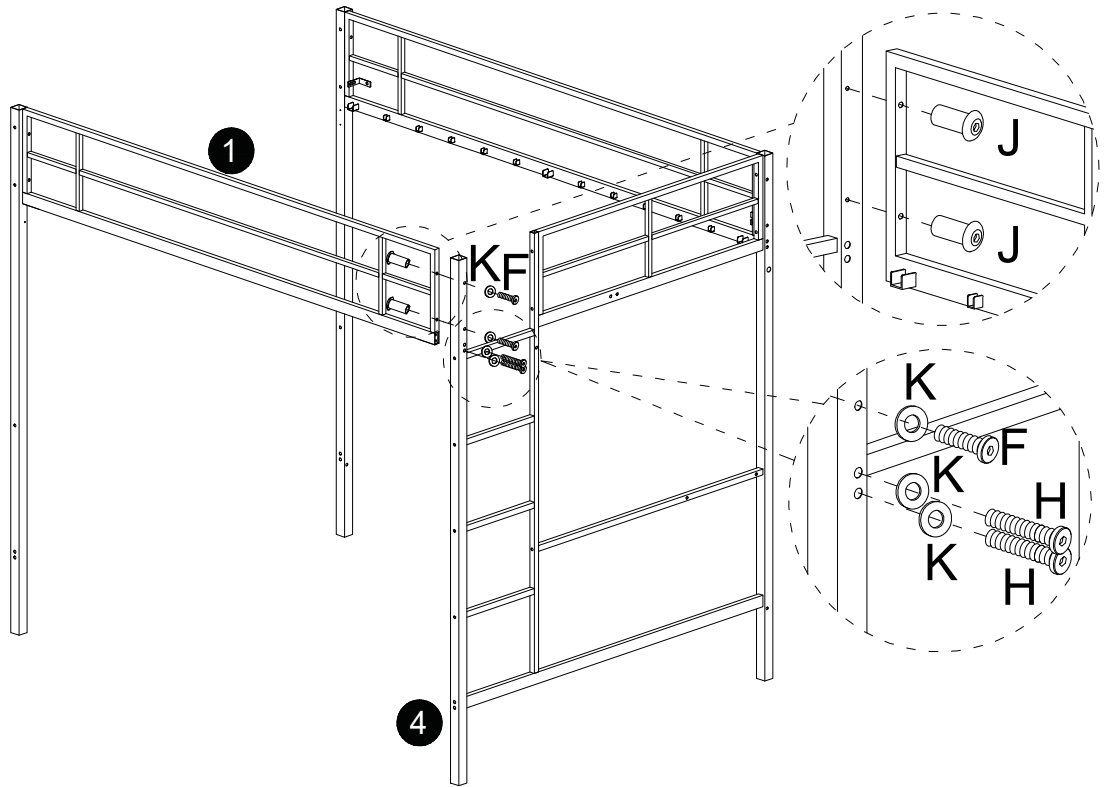


F	M6*50	H	M8*60	J	M6*17	K	φ18*8
	x2		x2		x2		x4

5



Be careful not to overtighten the screws.

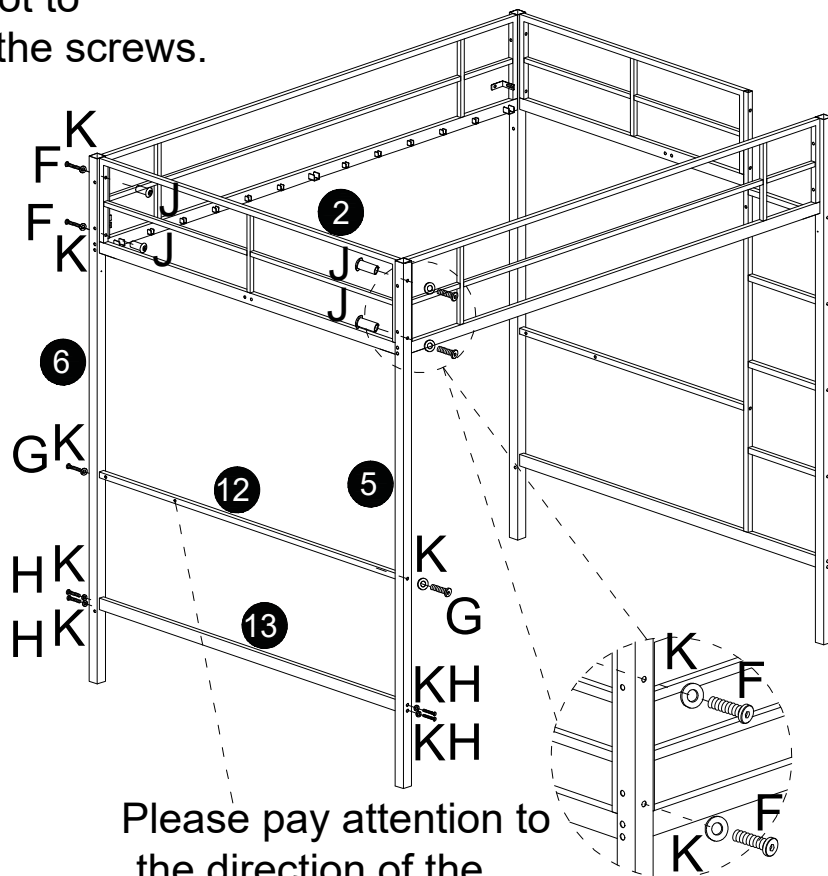


F	M6*50		x2
H	M8*60		x2
J	M6*17		x2
K	φ18*8		x4

6



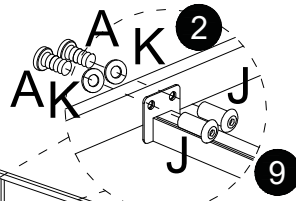
Be careful not to overtighten the screws.



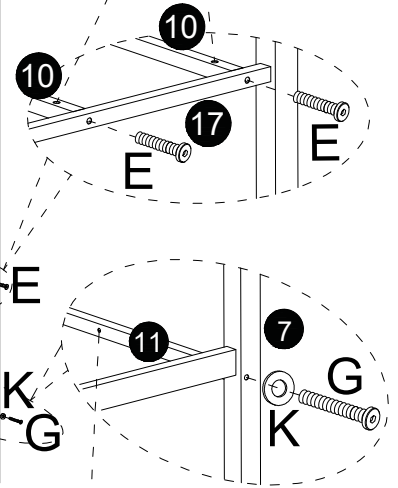
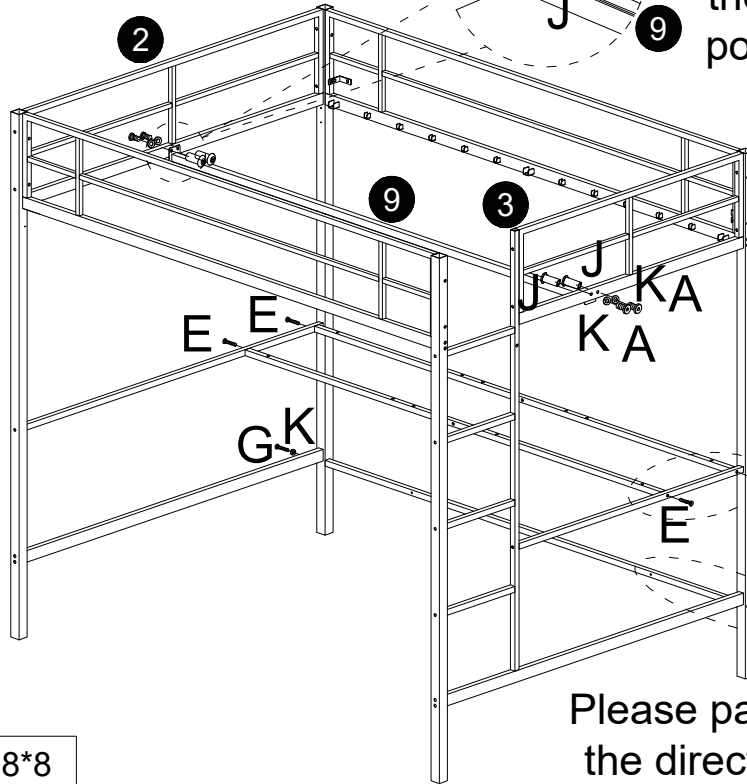
F	M6*50		x4
G	M6*60		x2
H	M8*60		x4
J	M6*17		x4
K	φ18*8		x10

Please pay attention to the direction of the hole position.



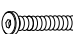
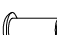

7



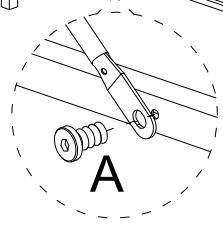
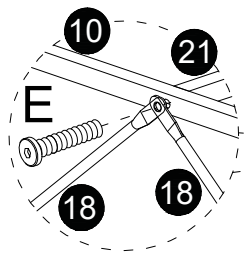
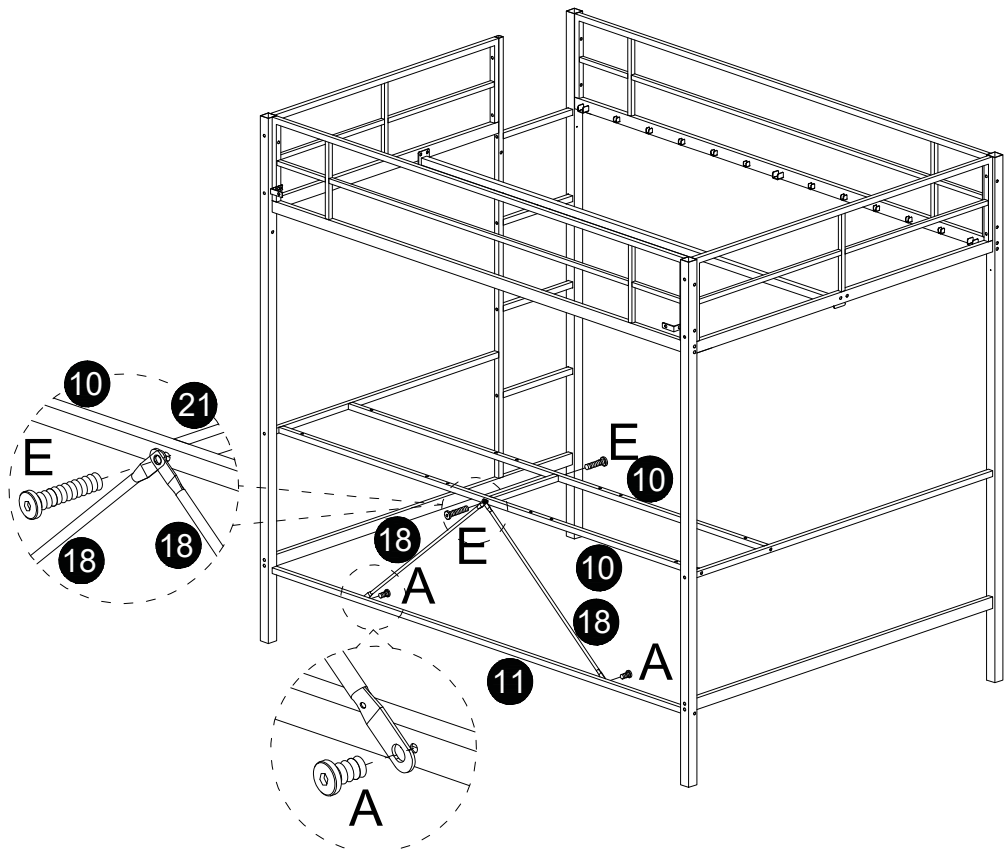
Please pay attention to the direction of the hole position.


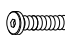


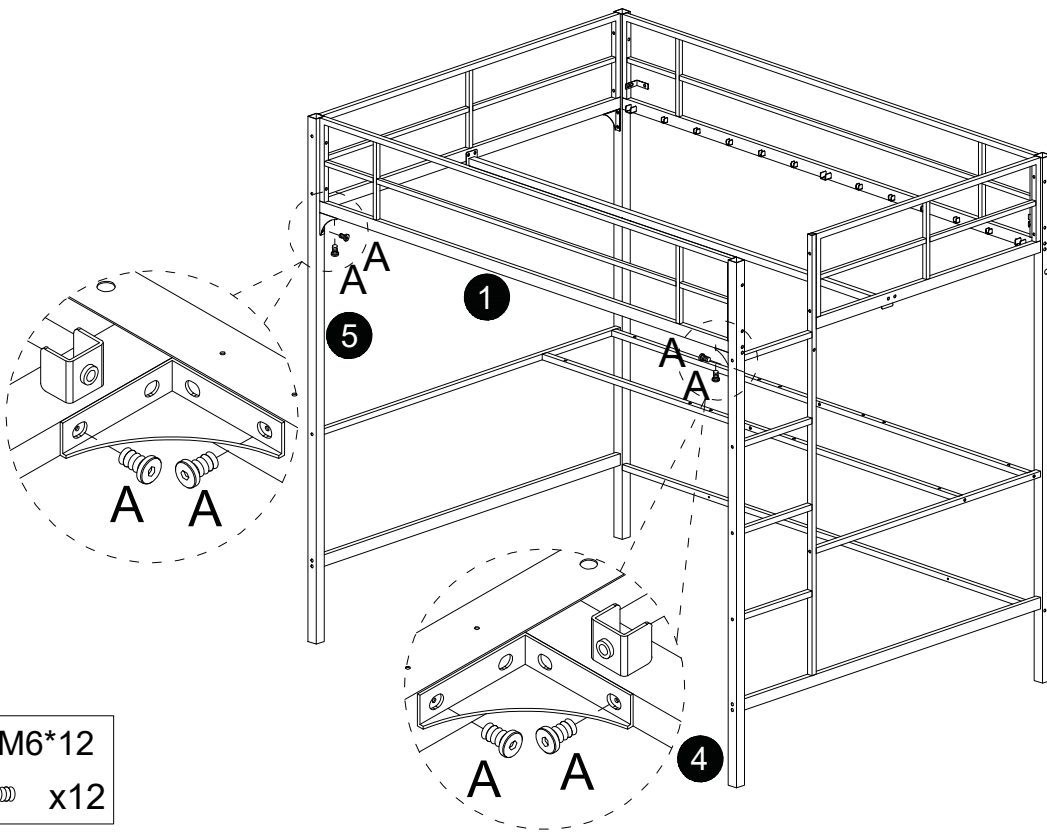
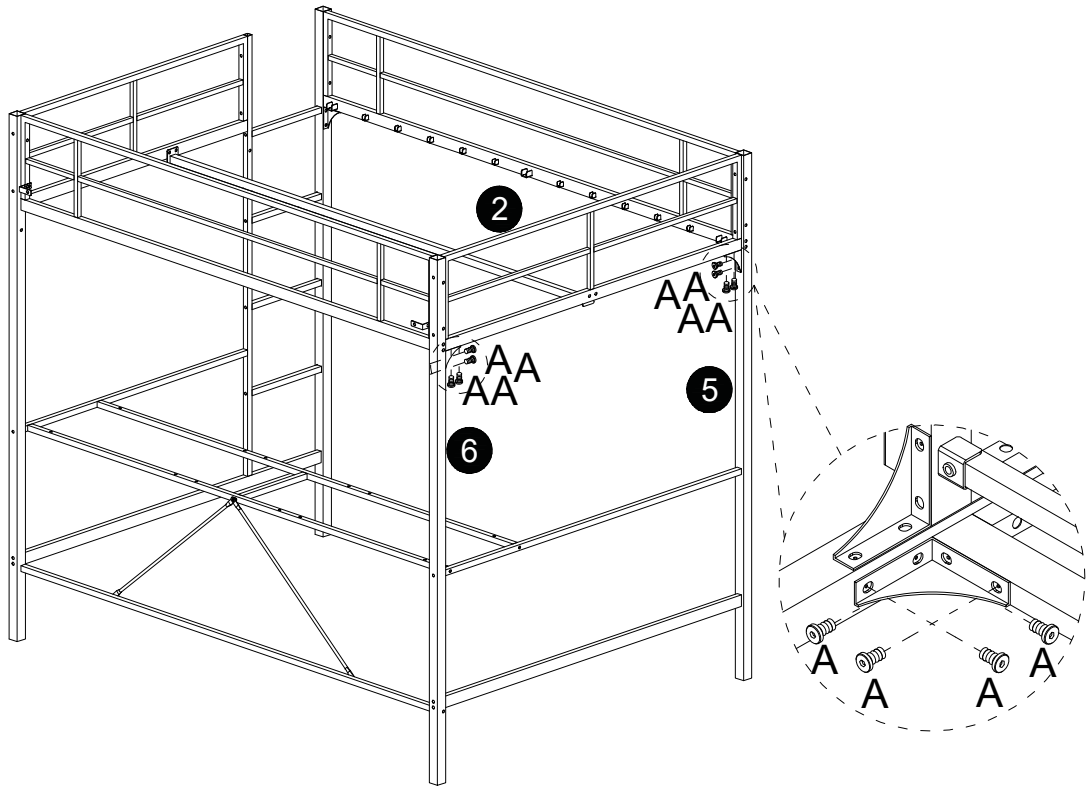
Please pay attention to the direction of the hole position.


A	M6*12		x4
E	M6*40		x4
G	M6*60		x2
J	M6*17		x4
K	φ18*8		x6


8



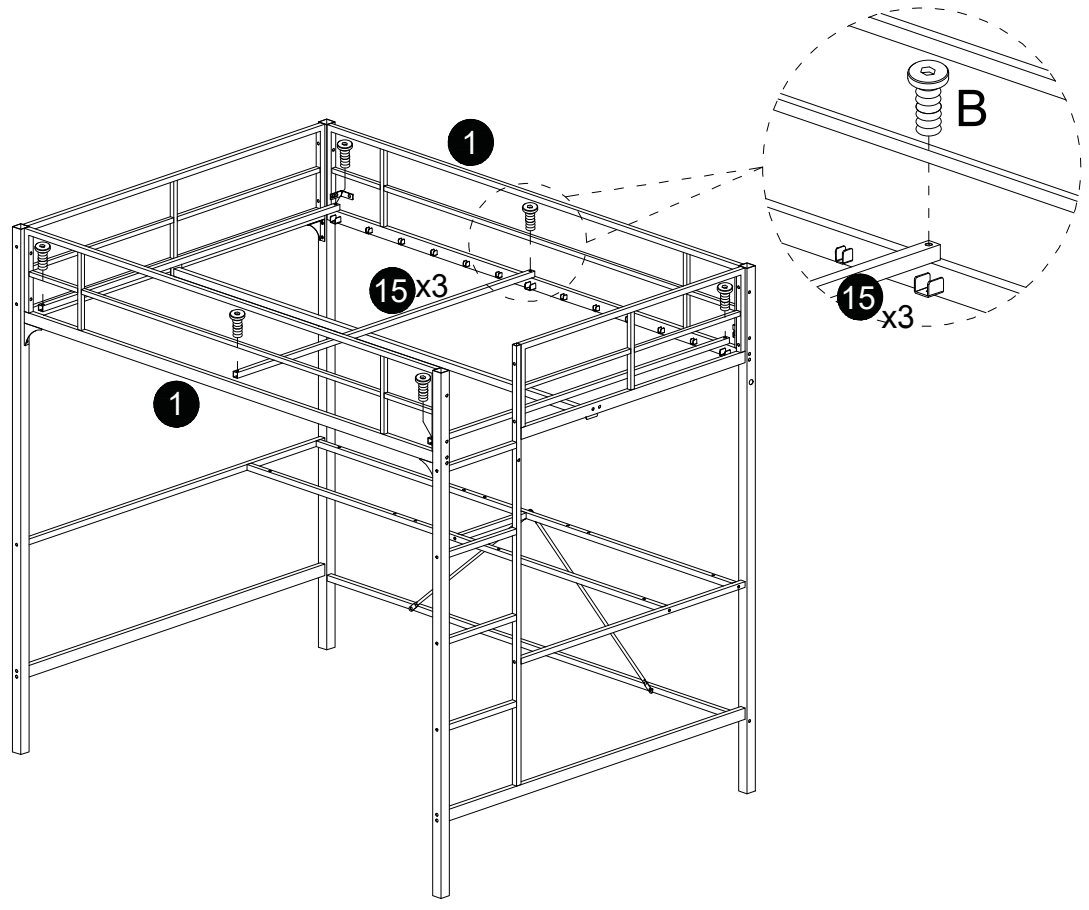
A	M6*12		x2
E	M6*40		x2



A M6*12
 x12

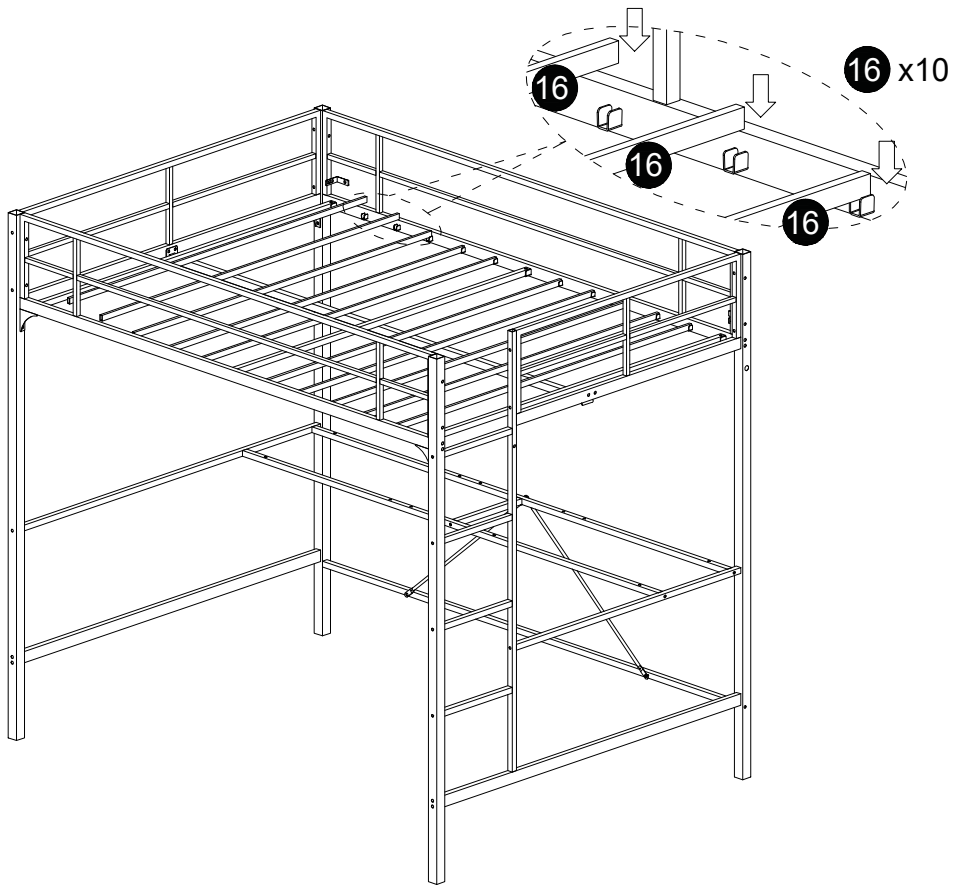
T
 x4

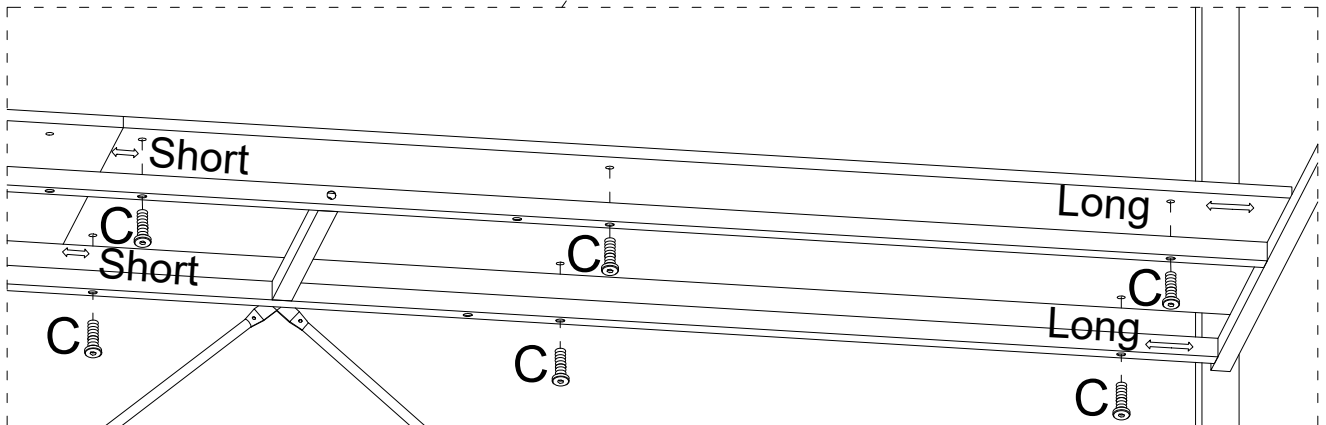
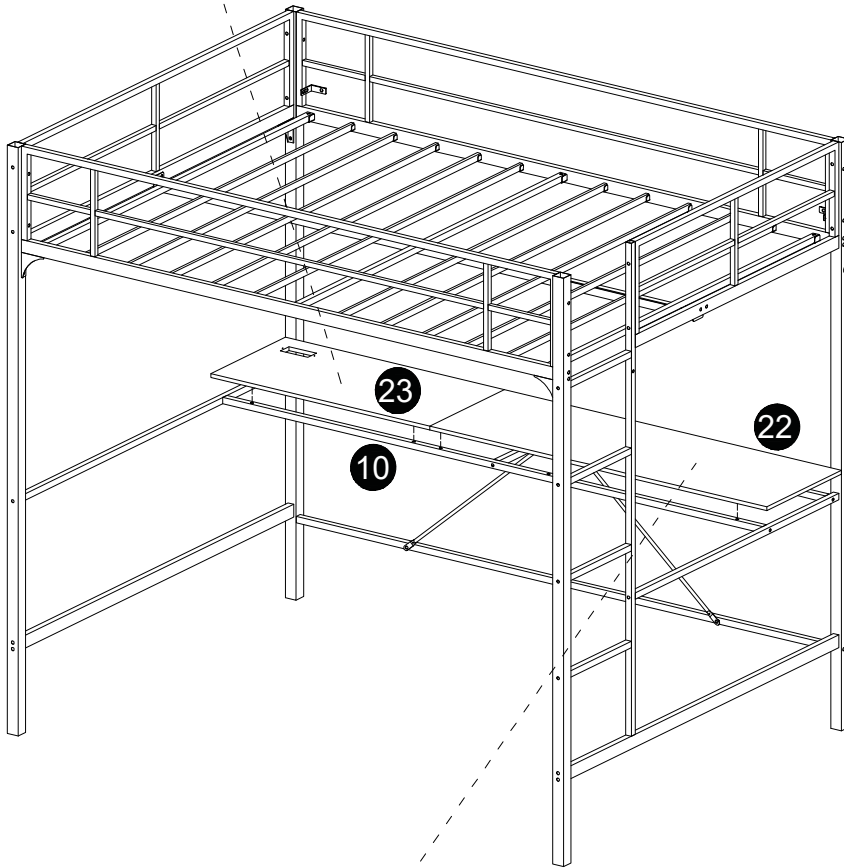
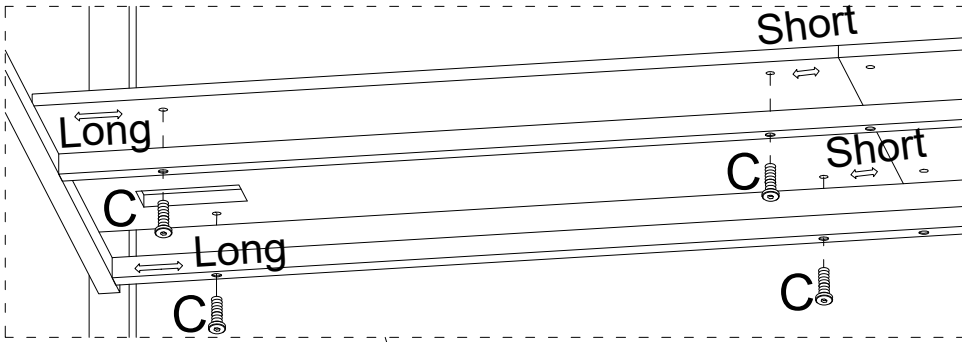
10

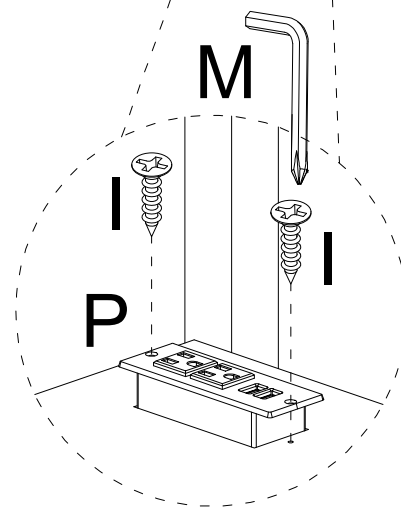
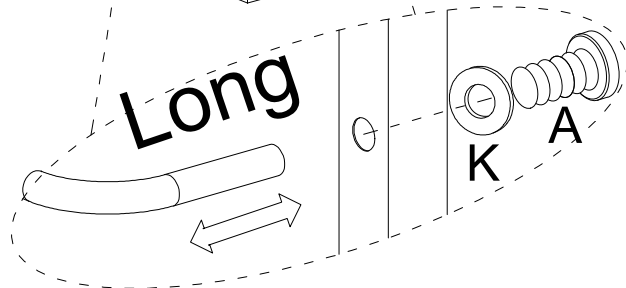
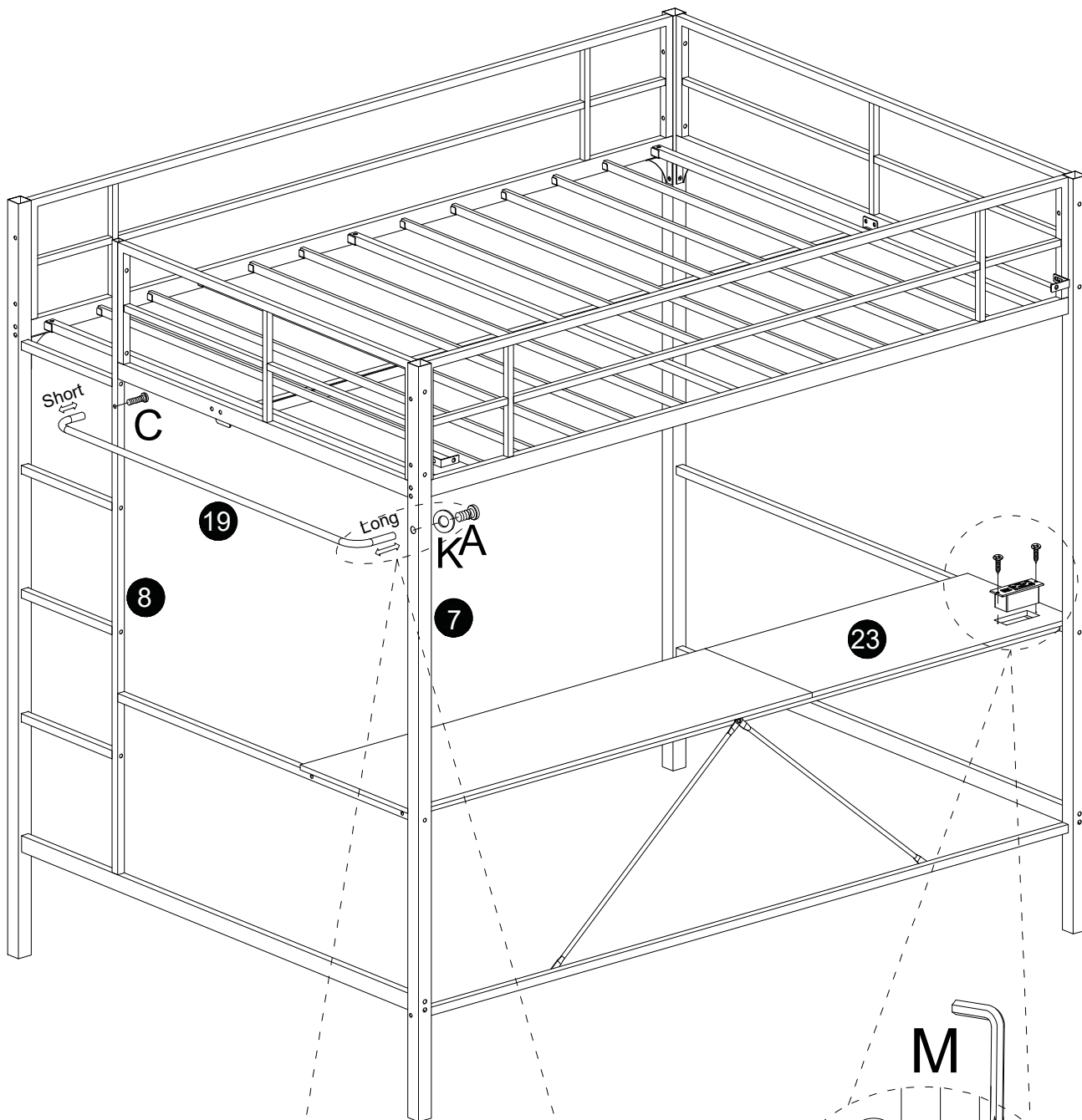



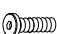




B M6*25
x6

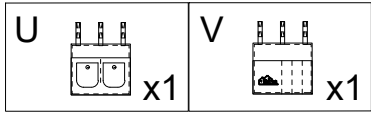
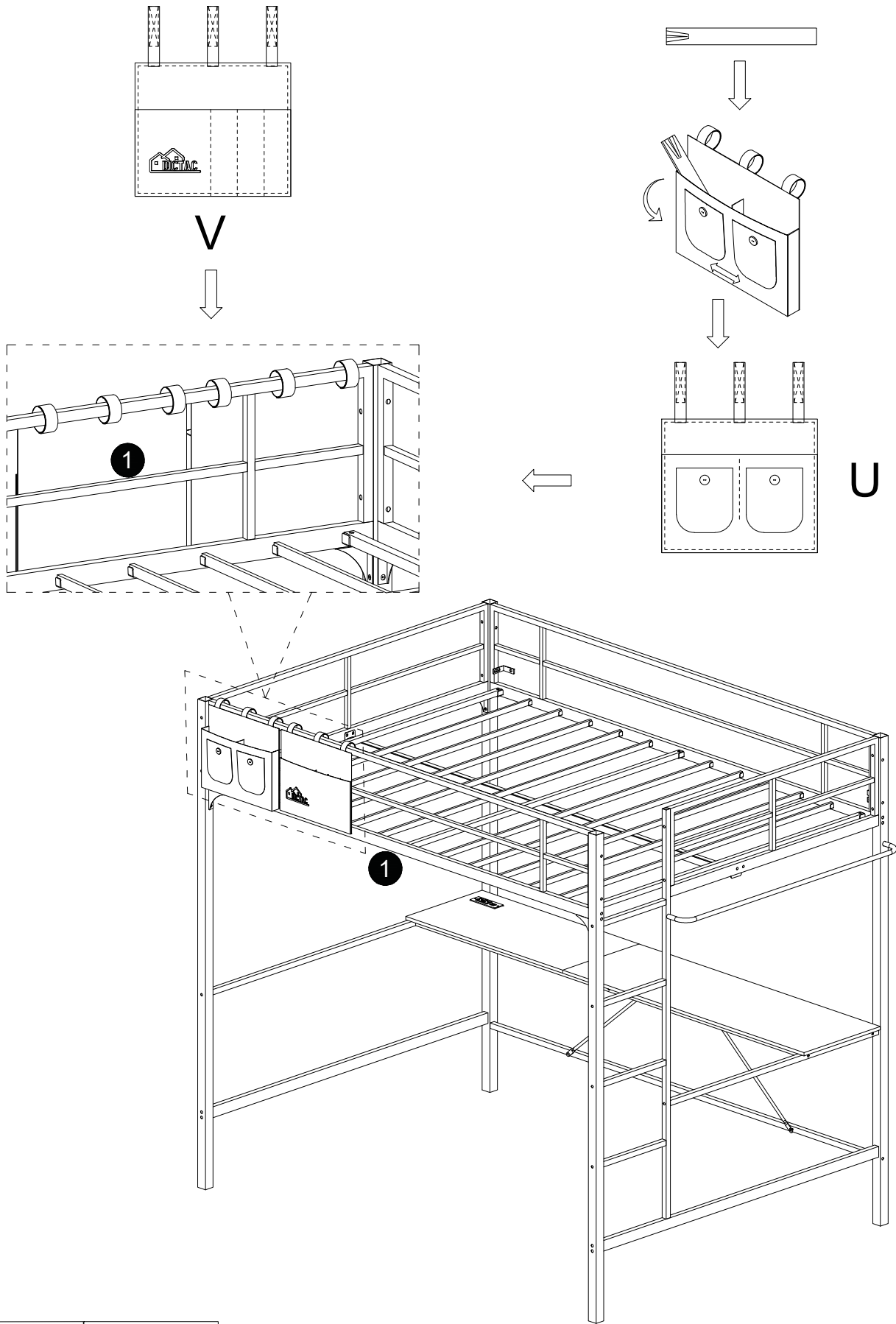
11



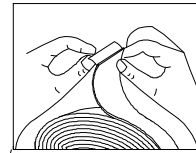




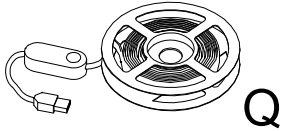
A	M6*12		x1
C	M6*28		x1
I	3.5*12		x2
K	φ18*8		x1
M	M4		x1
P			x1



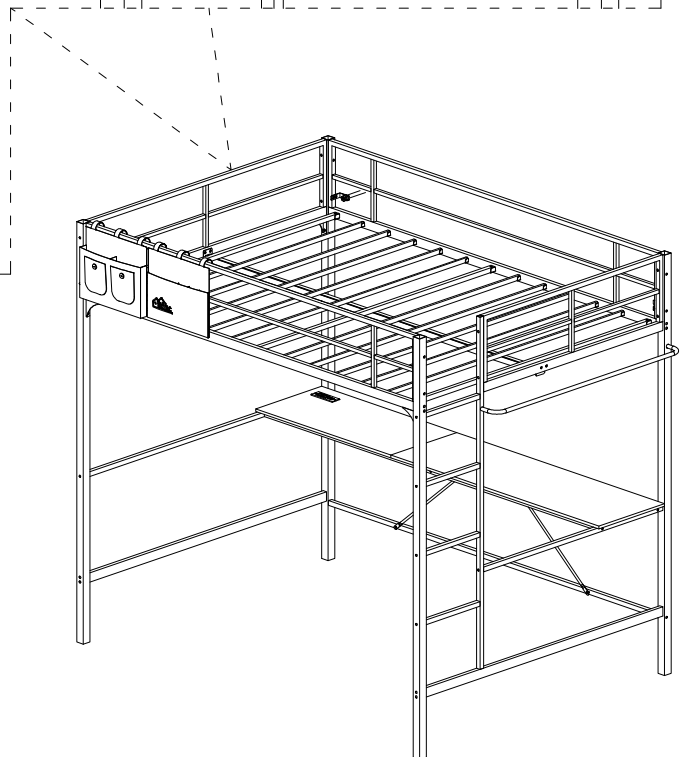
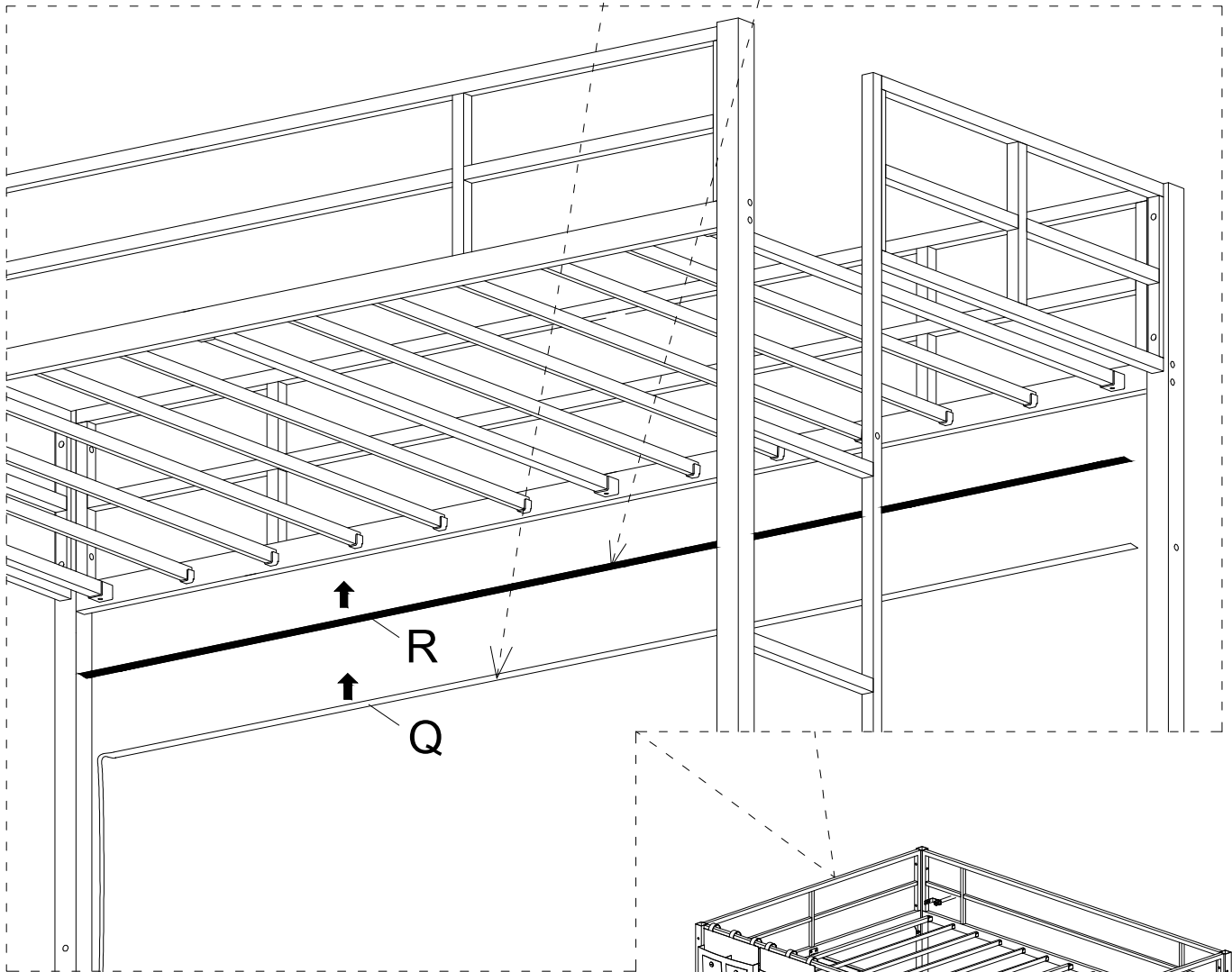
1: Please remove the adhesive tape numbered R first, and then stick it to the bottom of the bed side.
As shown in the figure





2: Unfold the light belt

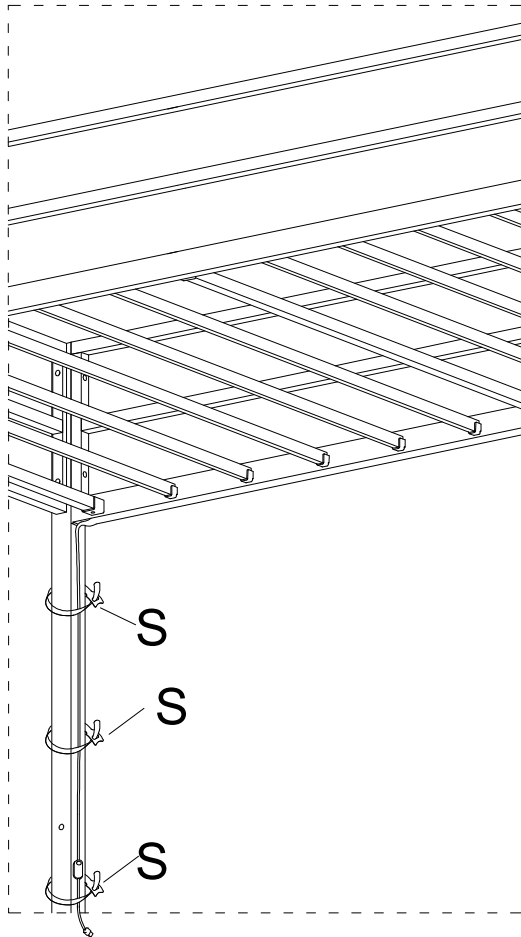


tear off the end of the tape and stick it to the bottom of the bed side tube.

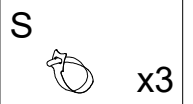
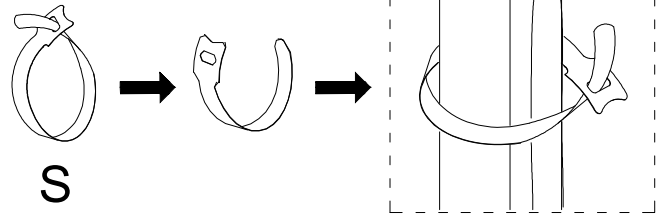


Q	R
 x1	 x1

16

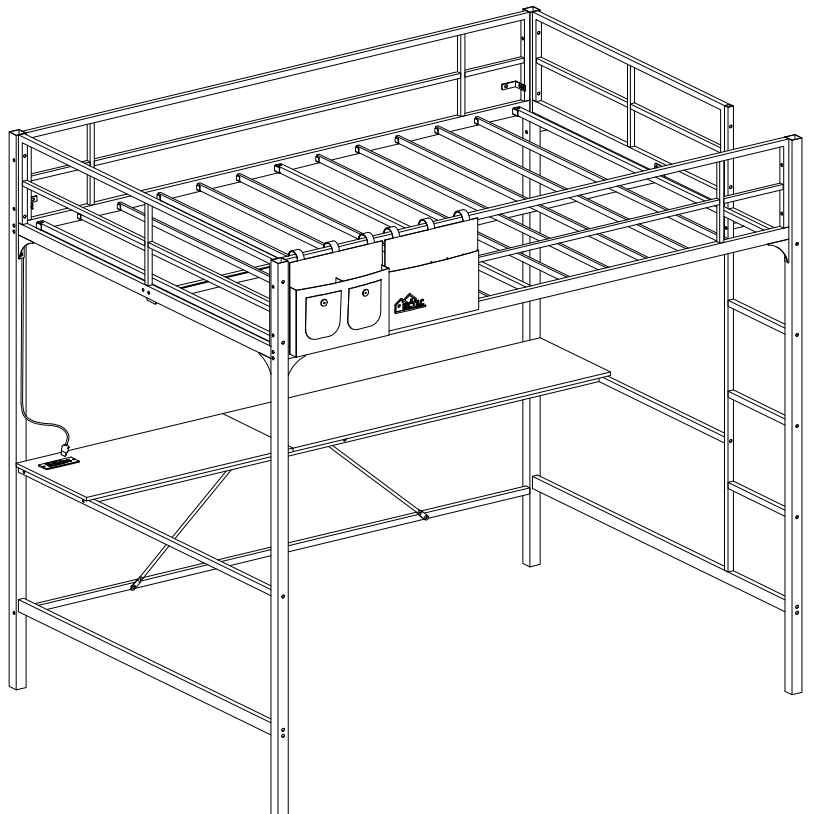


Please loosen the tie and tie it onto the iron pipe. As shown in the figure.



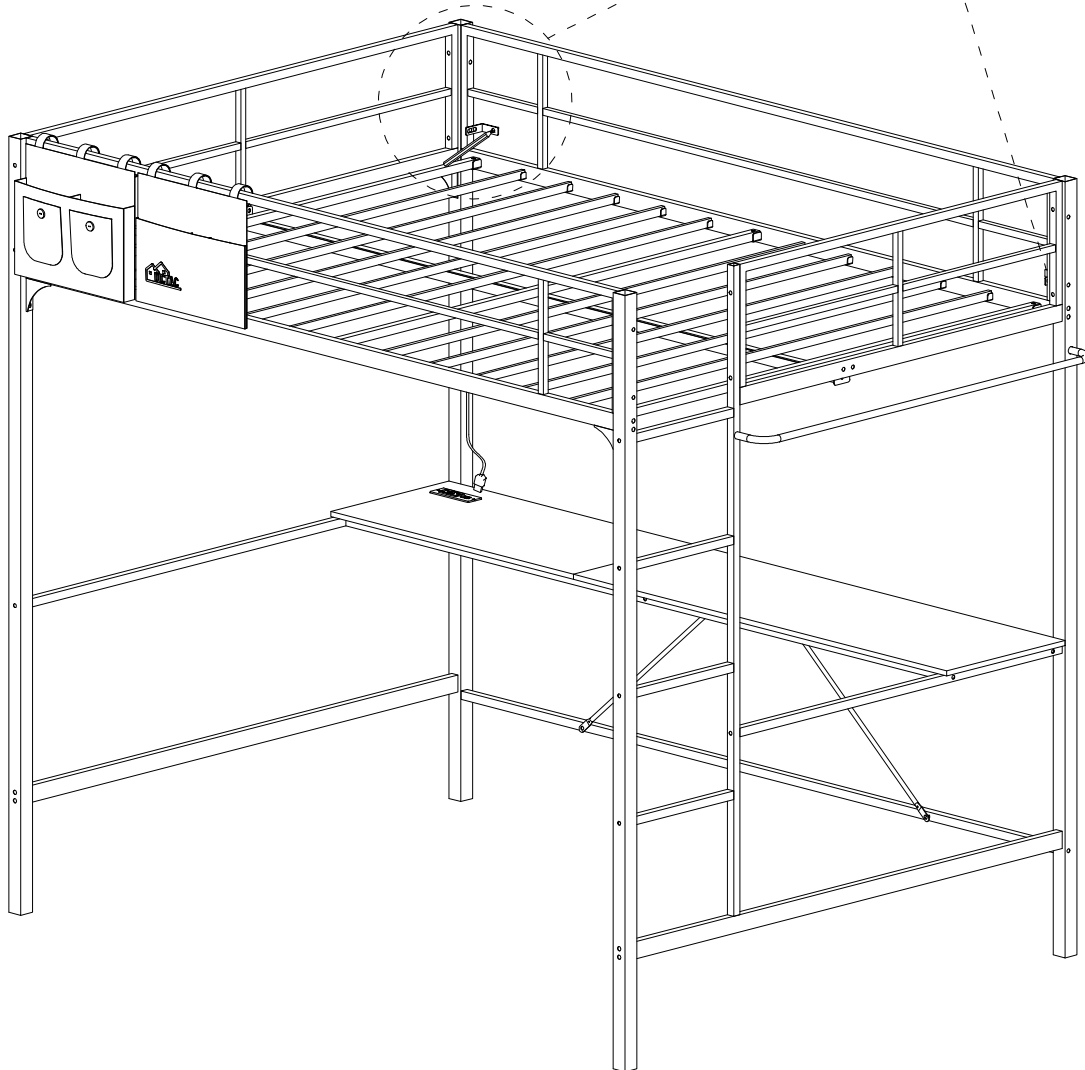
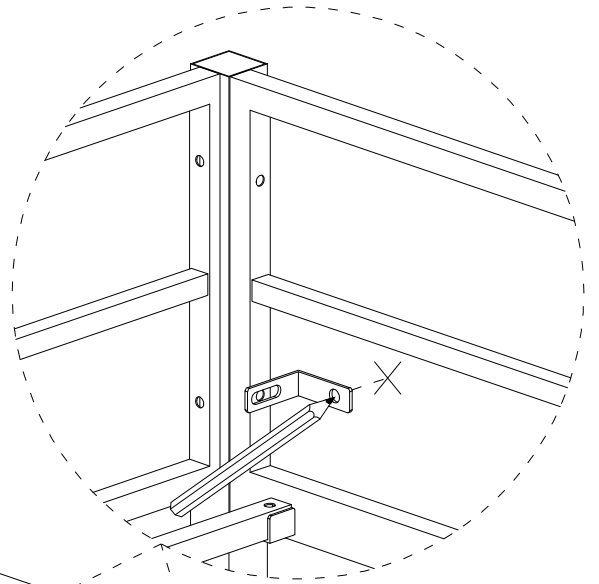
17

Please insert the plug of the light strip into the socket.



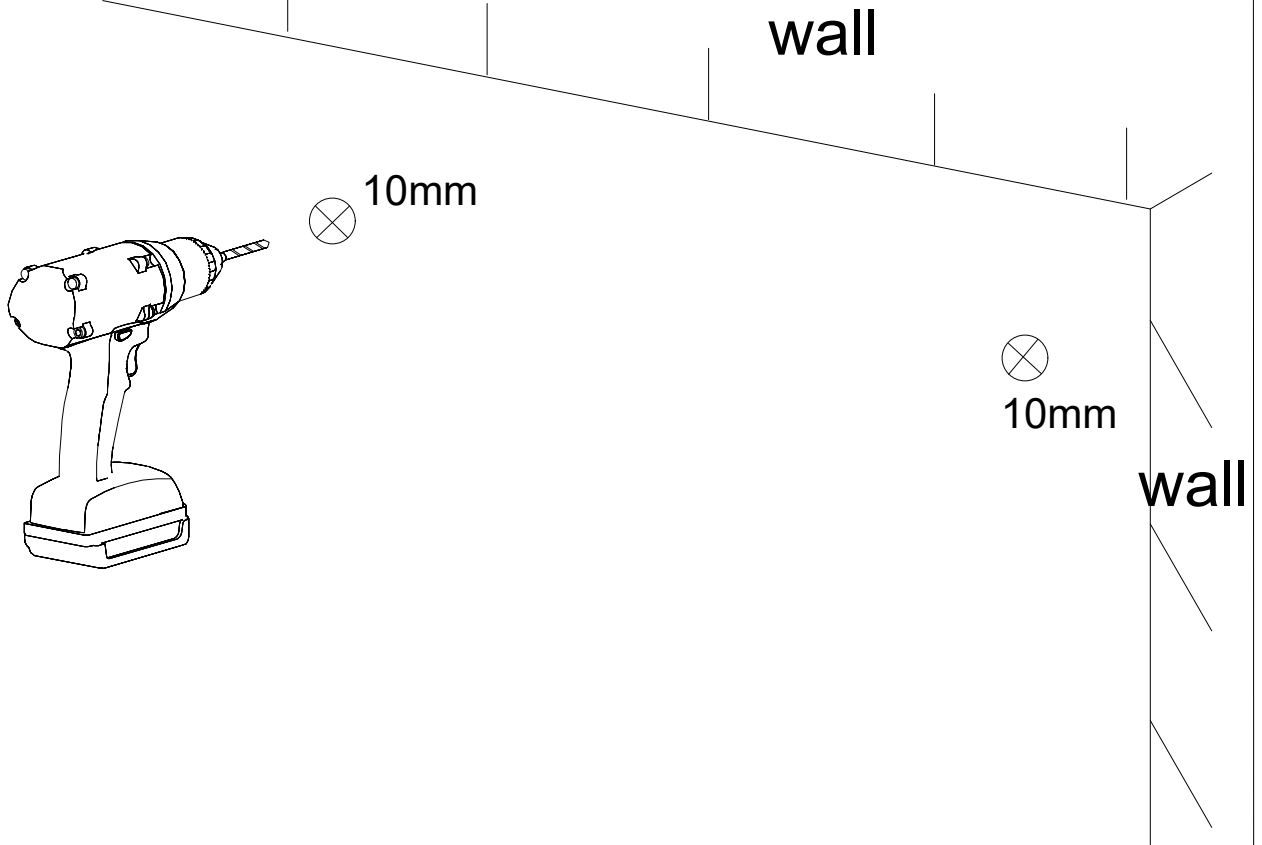
18 Positioning

wall

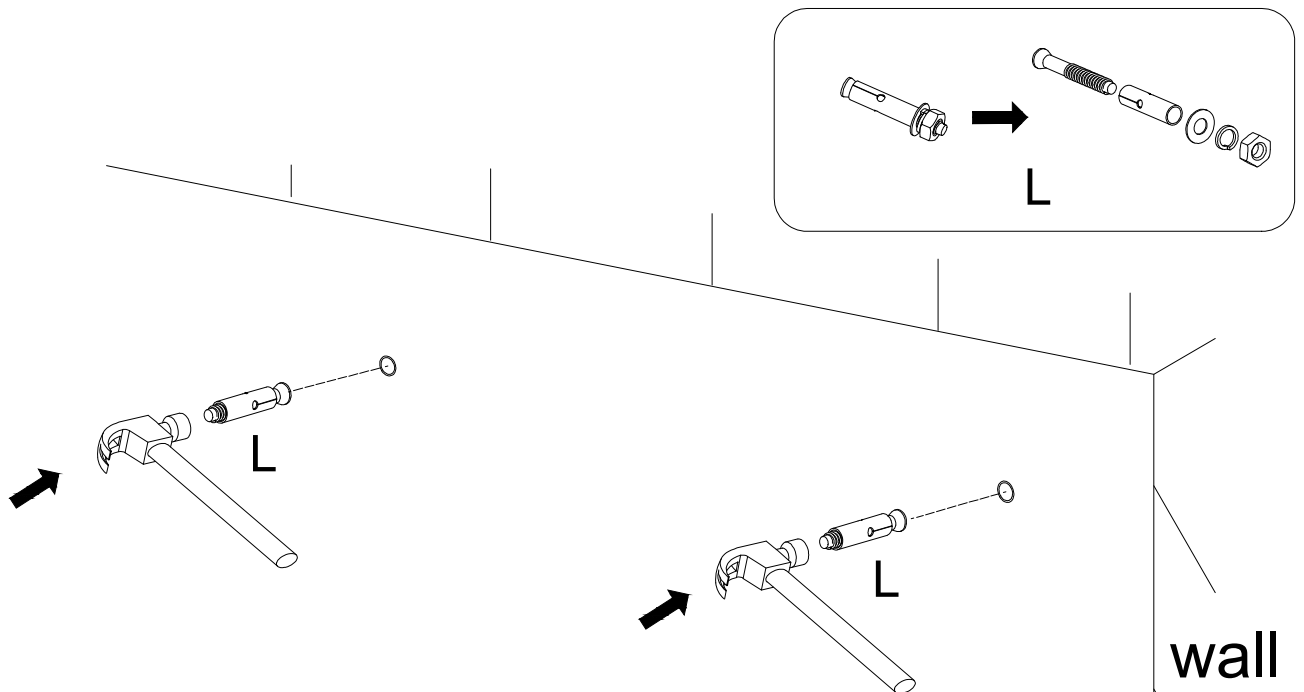


wall

19 Drilling

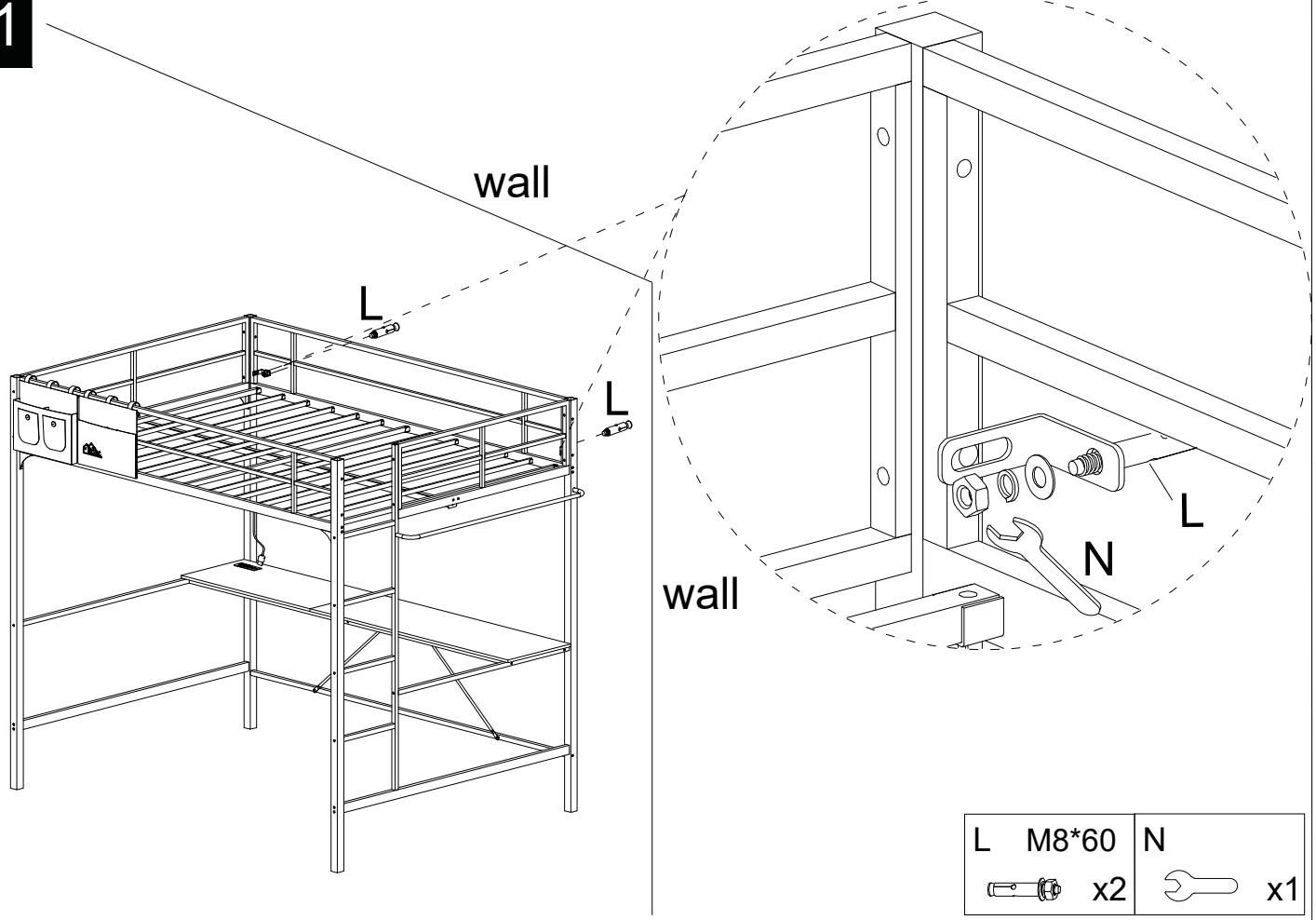


20



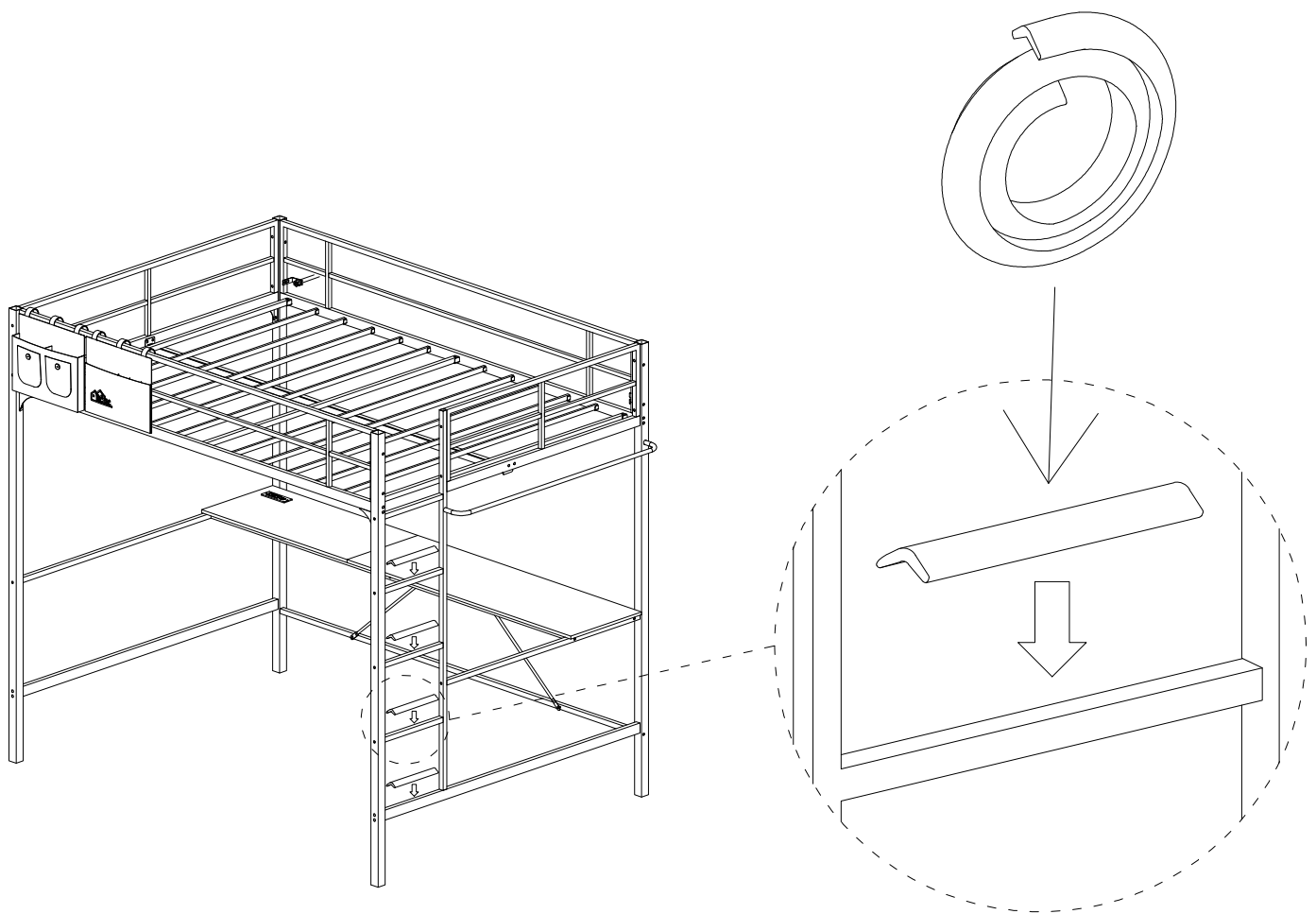
Please lock the expansion screw onto the wall.

21



22





Giveaway:

If you feel hurt when your feet step on the stairs, you can cut the protective cotton according to the size of the stairs and glue the protective cotton to the stairs.