

TWIN TRUNDLE

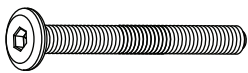
Congratulations on the purchase of your Twin Trundle. This trundle has been crafted to the highest standards of quality and safety and will give you many years of enjoyment and practical use.

Because this trundle is composed of wood there will be variations in color and grain, and minor checking may occur. This is normal and does not compromise the integrity of your trundle.

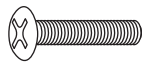
On this insert you will find a list of hardware and parts necessary for assembly, as well as detailed instructions. Assembly is quite simple and requires only a Phillips Head screwdriver. The use of a power drill with the torque setting on low and a Phillips Head attachment is helpful but not necessary. Assembly will be most easily accomplished if you take the time to carefully sort the hardware and familiarize yourself with the function of each piece.

Thank you and Enjoy

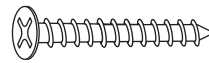
HARDWARE LIST



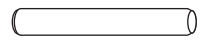
8x **35mm Bolt**



4x **30mm Machine Screws**
Used to attach Trundle Handles



6x **25mm Wood Screws**
Used to attach plank braces



4x **Dowels**
Used to connect panels



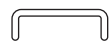
1x **4mm Allen Wrench**



4x **Trundle Handles**

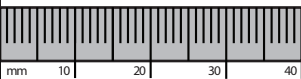


40x **25mm Screws**
Used to attach planks

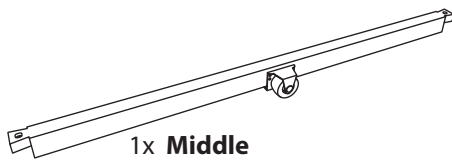


2x **Wire Retainers**

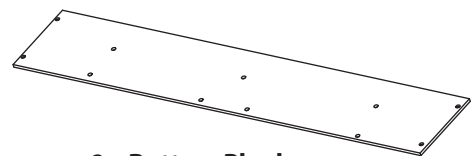
Guide



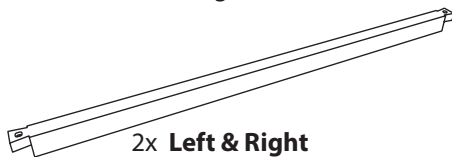
TRUNDLE BED PARTS



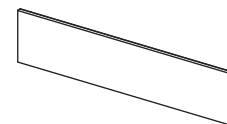
1x **Middle Trundle Brace (Long)**



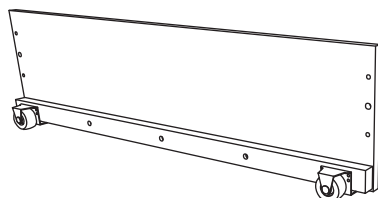
3x **Bottom Planks**



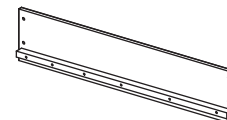
2x **Left & Right Trundle Braces (Long)**



1x **Drawer Divider**

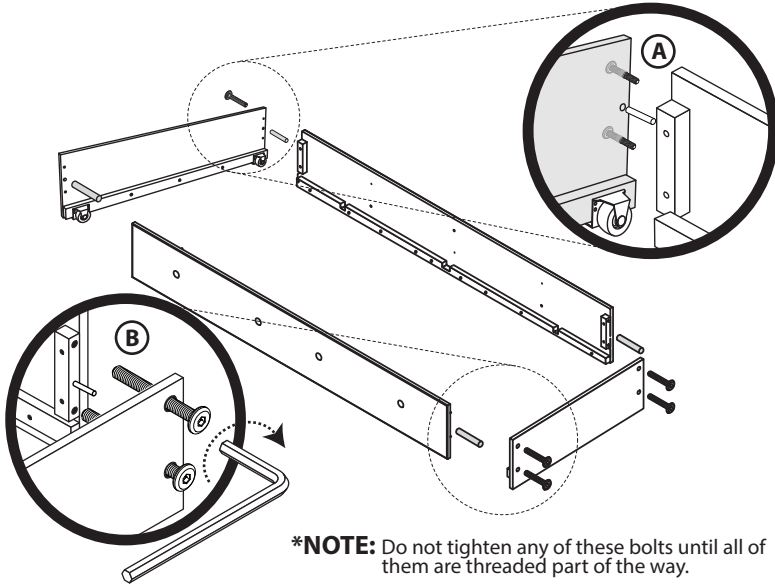


2x **Trundle Side Panels**

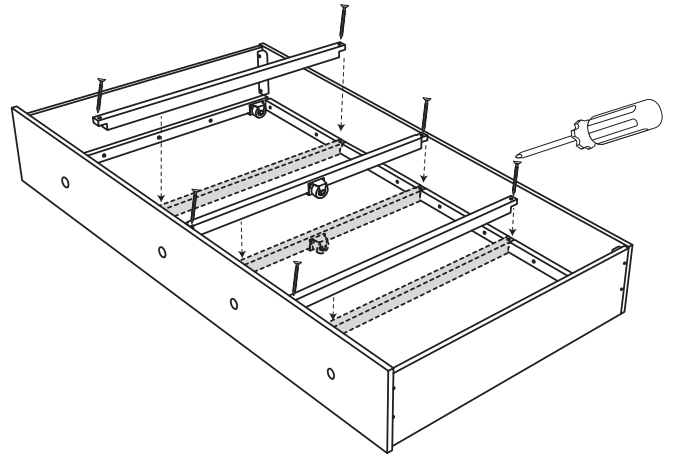


2x **Trundle End Bed Panel**

- 1** Attach long end panels to the front and back panels with wooden dowels. (A) Use 35mm bolts to tighten the long end panels with the front and back panel (B).

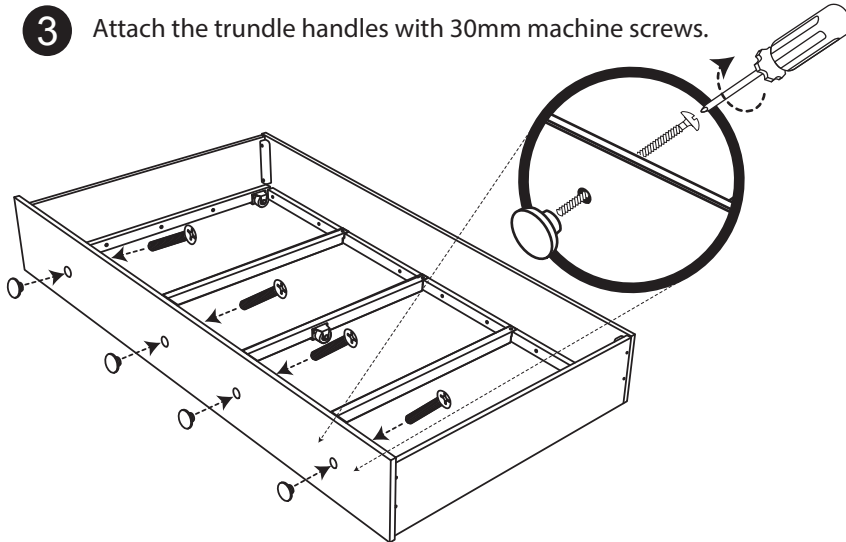


- 2** Attach the two plank braces and middle plank brace to the trundle with 25mm wood screws.



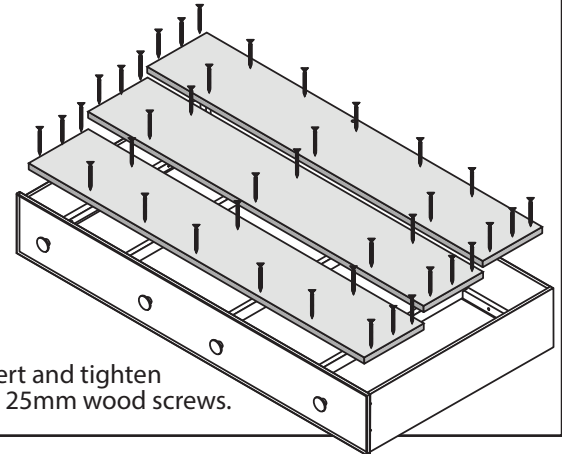
The braces should lay flush with the surrounding ledge.

- 3** Attach the trundle handles with 30mm machine screws.



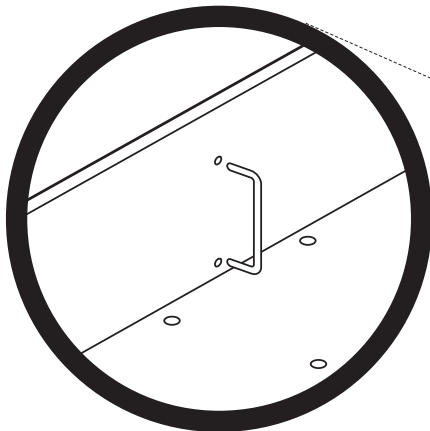
Hold the handle tight to the drawer face and use a Phillips Head screwdriver to secure the handles.

- 4** Lay the three bottom planks into the trundle. The top side of the planks will have countersunk holes for the 25mm wood screws.



Insert and tighten the 25mm wood screws.

- 6** OPTIONAL STORAGE DIVIDER



To use the storage divider, insert the wire retainers and slide the drawer dividers into the wire retainers down the grooves on the dividers.

