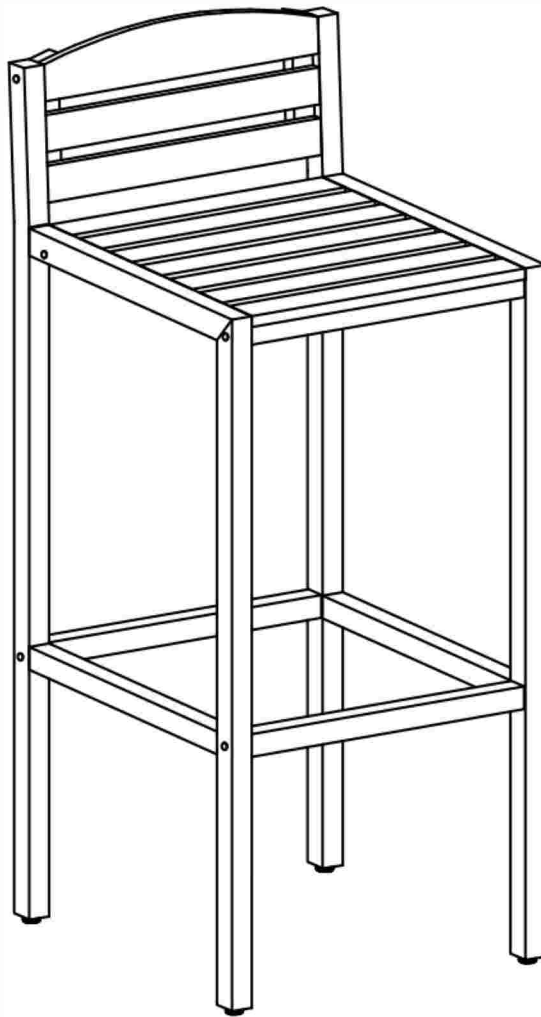


Assembly Instructions

BAR STOOL

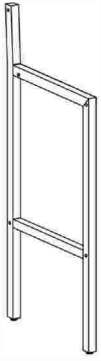

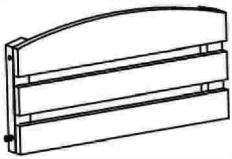
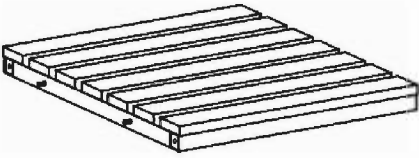

CAUTION: You must read this before you proceed.

Please look in the leg connector for hardware packs.





CAUTION: This Barstool is NOT a TOY.
Keep your child / children at bay during the assembly process.
For moving the Barstool and to prevent damage to the Barstool, two adults may be needed to execute this action.

Parts List

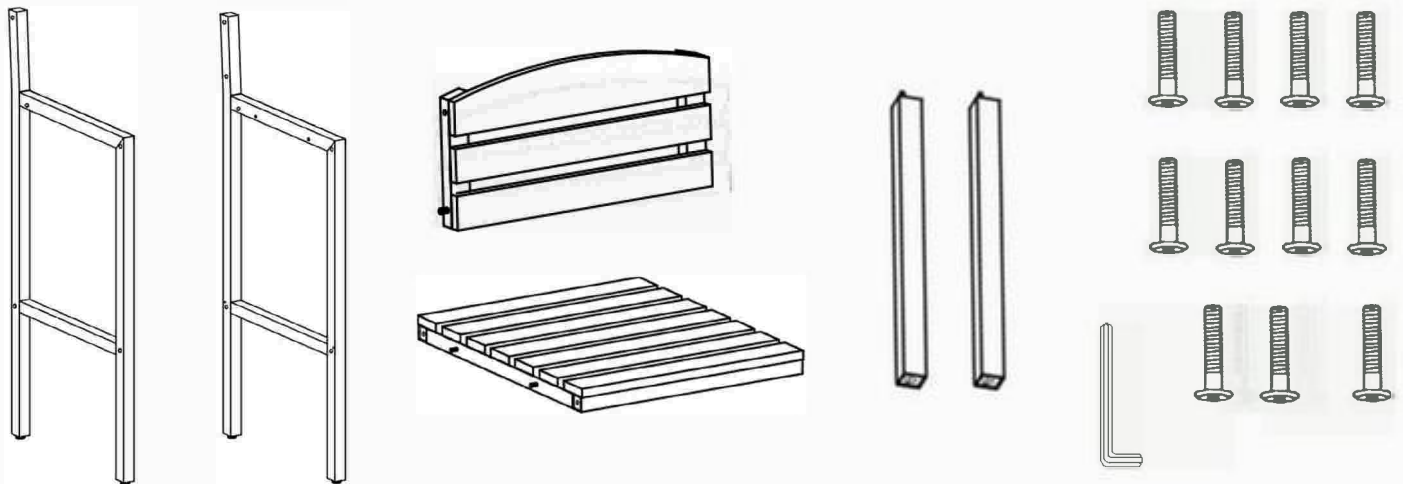
No.	Picture	Description	Qty
A1		Left Leg Panel	1
A2		Right Leg Panel	1
B		Backrest Panel	1
C		Seat Panel	1
D		Leg Connector	2

Hardware

No.	Picture	Description	Qty
①		Bolt (M6x45mm)	11
②		Allen Wrench	1

Assembly Preparation

Before Beginning Assembly:



Read instructions, cover to cover.



Have 2 adults on hand for assembly.



Do not assemble on flooring or carpet.



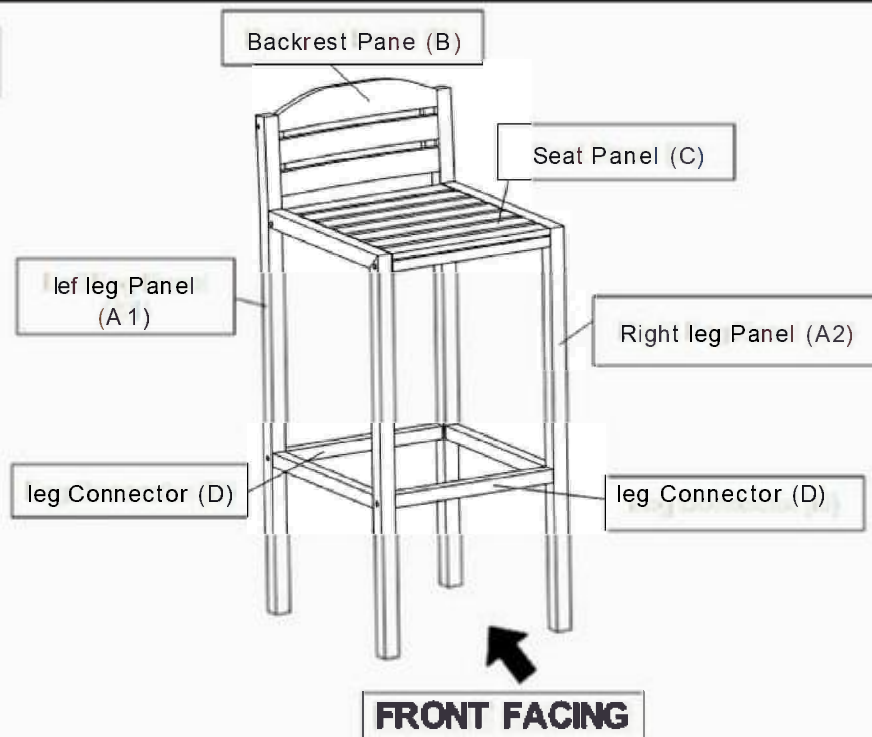
Assemble on a clean non-marring surface (packing foam).



Save all packaging until

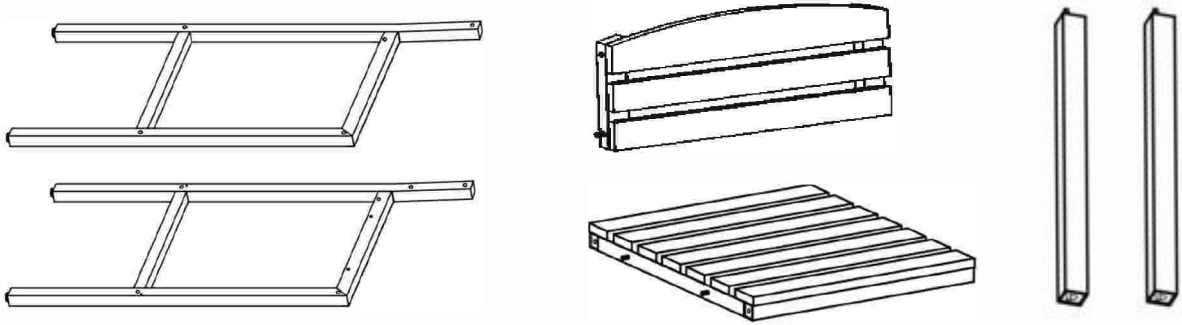
Assembly Steps

OVERVIEW



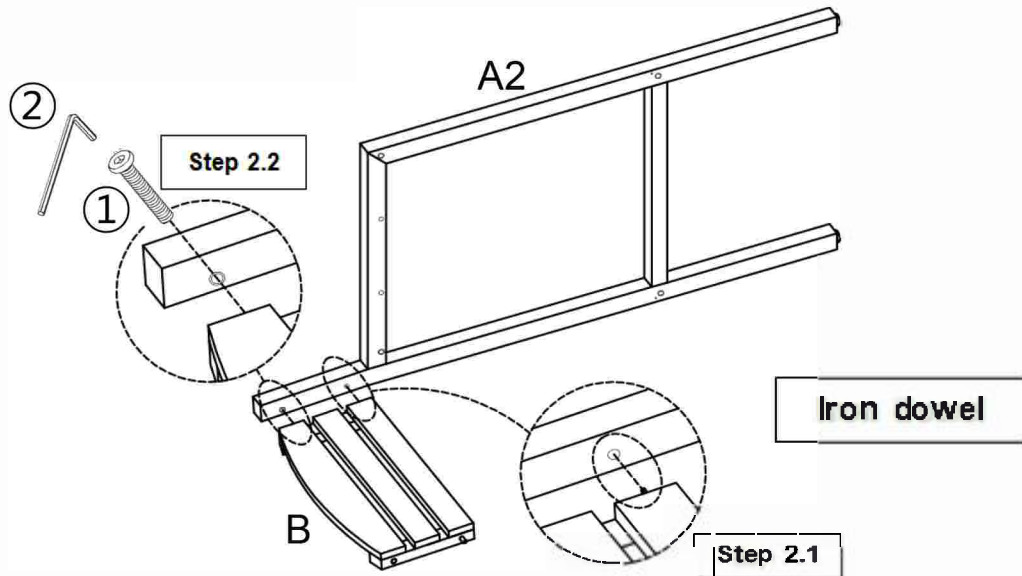
This Barstool has multiple parts and may require up to 30 minutes to assemble. To give you an overview of the Barstool parts, the above picture is to help you put the various parts into perspective. Please read through the instructions below to familiarise yourself with the parts and steps before assembly.

Step 1



Unpack and place all parts on a clean, non-marring surface.

Step 2

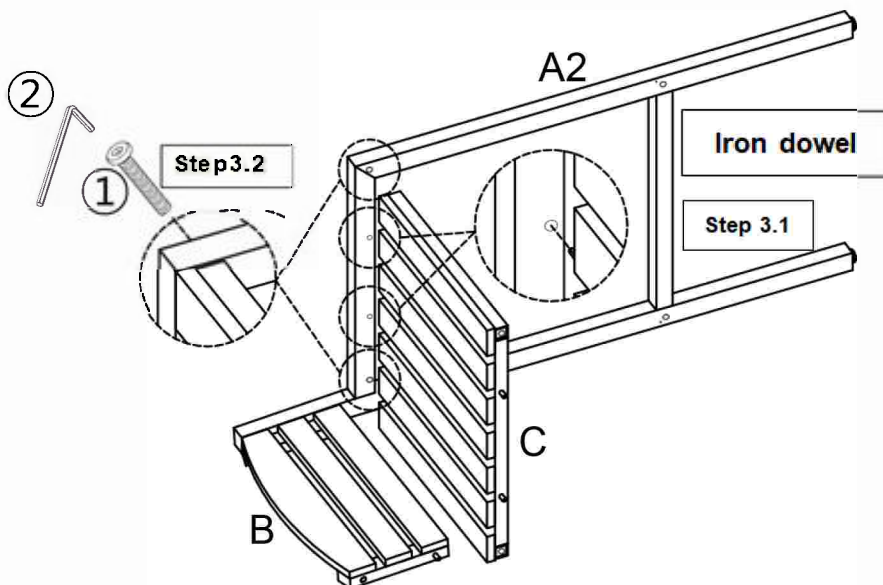


2.1) Insert prefixed iron dowel of **Backrest Panel** (B) into housing of Right Leg Panel (A2).

2.2) Secure **Backrest Panel** (B) to Right Leg Panel (A2) using Bolts (1) with Allen Wrench (2).

Do not fully tighten Bolts

Step 3

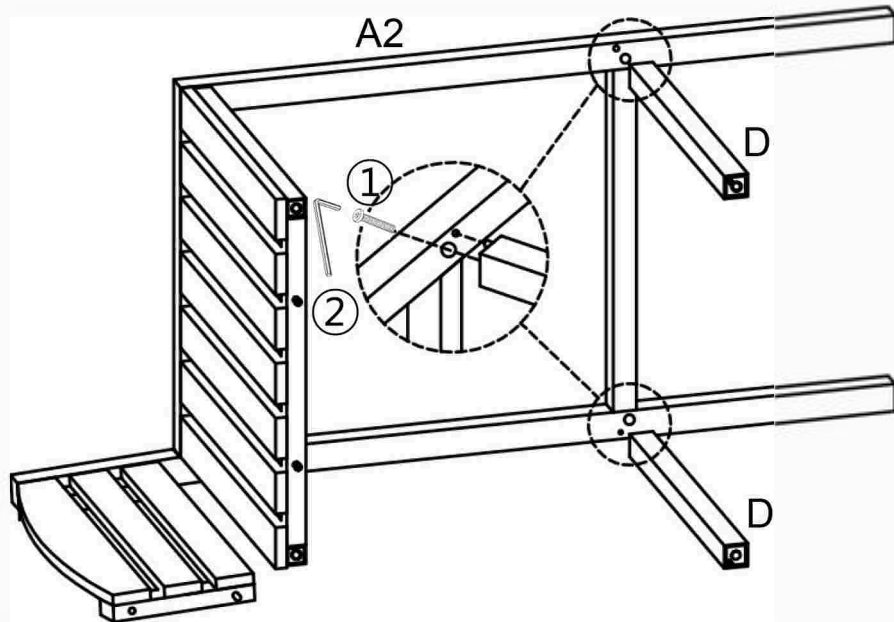


3.1) Insert 2 prefixed iron dowels of **Seat Panel** (C) into housings of Right Leg Panel (A2).

3.2) Secure **Seat Panel** (C) to Right Leg Panel (A2) using 2 Bolts (1) with Allen Wrench(2).

Do not fully tighten Bolts

Step 4



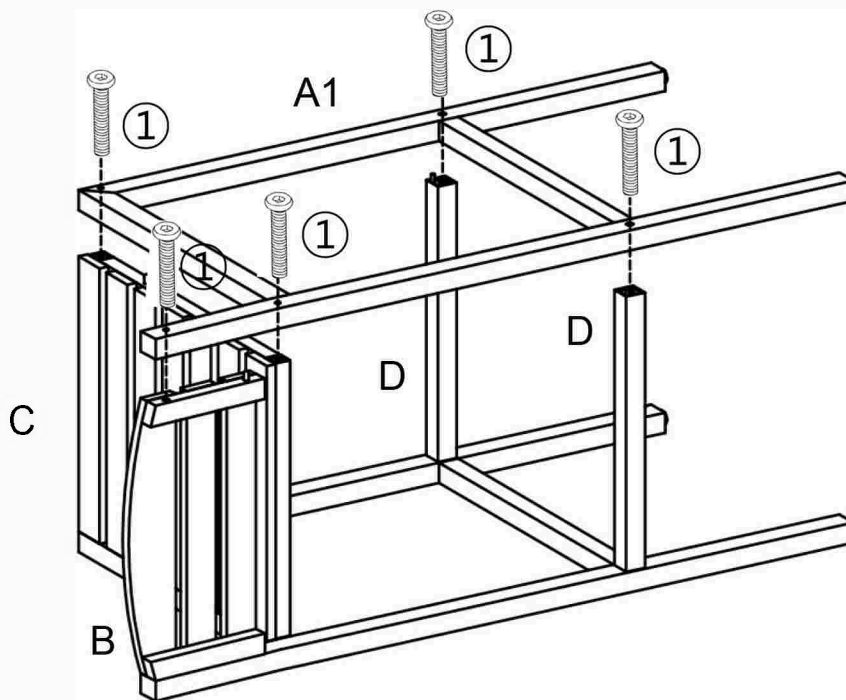
4.1) Insert prefixed iron dowel of Leg Connector (D) into housing of Right Leg Panel (A2).

4.2) Secure Leg Connector (D) to Right Leg Panel (A2) by using Bolts (①) with Allen Wrench(②).

Do not fully tighten Bolts.

Repeat the same process with the other Leg Connector (D)

Step 5

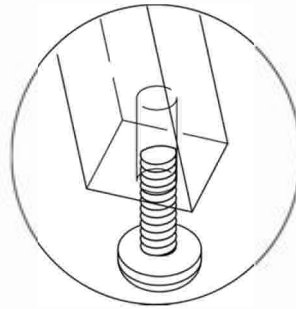
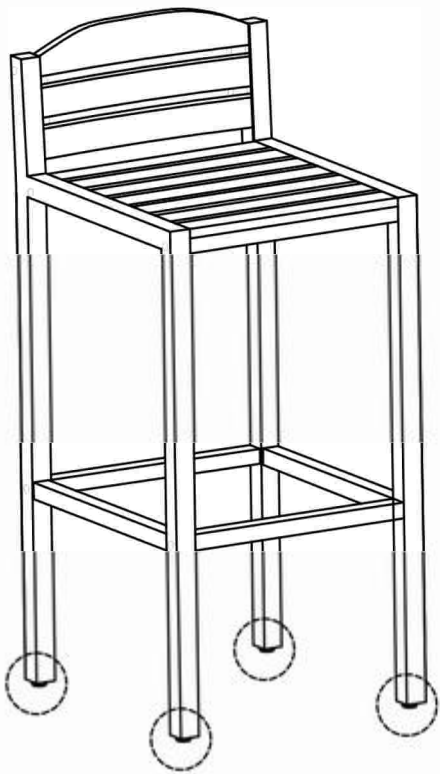


With the assistance of an adult helper, turn the Barstool 90 degree.

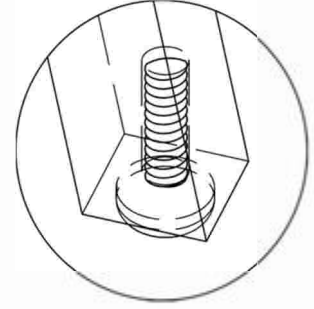
Attached Left Leg Panel (A1) to frame in step 4 then secure Left Leg Panel (A1) to Backrest Panel (B) , Seat Panel (C) and Leg Connectores (D) by using Bolts (①) and Allen Wrench (②)

Do not fully tighten Bolts

Step 6



Adjust height for balance



Adjust low for balance

Adjust Pre-installed Levellers height for balance

Stand the Barstool up, with assistance from your adult partner.

Place the Barstool on a LEVEL surface.

Inspect it and make sure all parts are adequately connected.

Exert pressure floorwards, onto the Barstool with both your hands.

This pressure will help the Legs and Barstool reach full alignment status.

Proceed to tighten the Bolts in a sequential manner, until evenly secured.

When tightening the Bolts tighten sequentially.











Do not tighten any Bolt fully and then move on towards the next one.

With assistance from your adult partners, adjust the Levellers to desired height to avoid wobbles.

Your Barstool is ready for use.

This Barstool can only be used on a flat, level surface.

Care & Maintenance

- ⊘  ● Prolonged exposure to rain may cause rusting which can stain floors.
- ⊘  ● Do not put hot items directly on furniture surface.
- ⊘  ● Do not clean furniture with harsh cleansers or polish.
- ✓  ● To obtain the longest lifespan of your outdoor products, minimizing exposure to direct sunlight is recommended.
- ⊘  ● Children should not climb or jump on the furniture.
- ⊘  ● Do not write on furniture without a padded barrier to protect the surface.
- ✓  ● To obtain the longest lifespan of your outdoor products, avoid extended and lengthy exposure to rain, snow, and direct sunshine. Whenever possible cover the product and /or place under patio or awnings.
- ⊘  ● Not for commercial use. For residential use only.
- ⊘  ● Stains may be removed with mild soap solution and damp cloth.
- ✓  ● Dust and pick-up spills using a clean, non-colored, lint-free cloth.