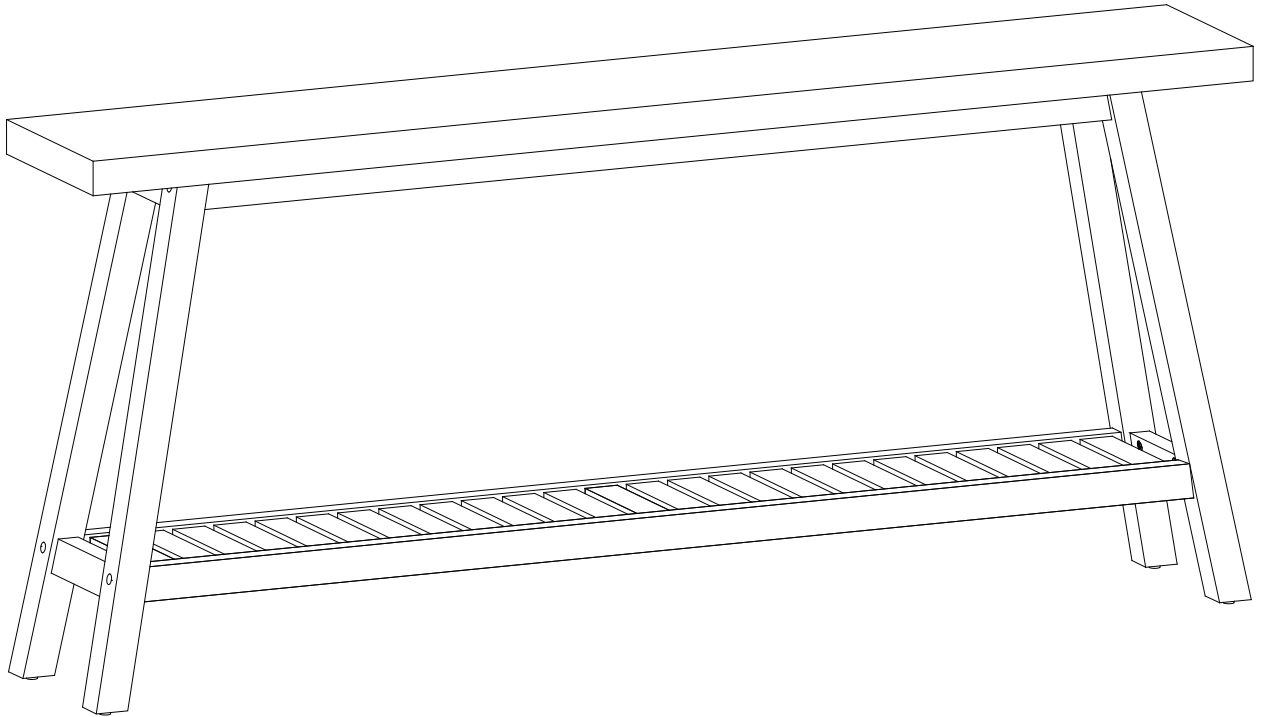


Assembly Instructions



Sofa Table

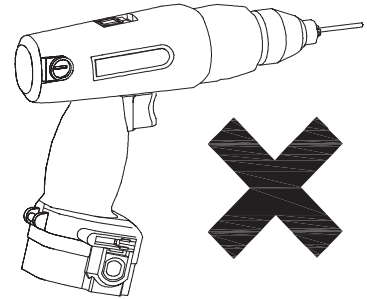
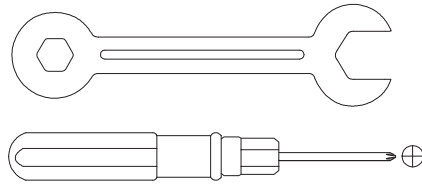
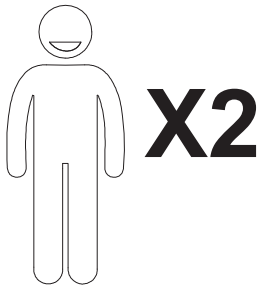
Contact Us

We're here to help you.

Your satisfaction is our top priority. If you encounter any issues with this product, such as missing or damaged parts, we're here to help. Please retain the original packaging and take photos of the packaging and the product, then contact us as soon as possible.

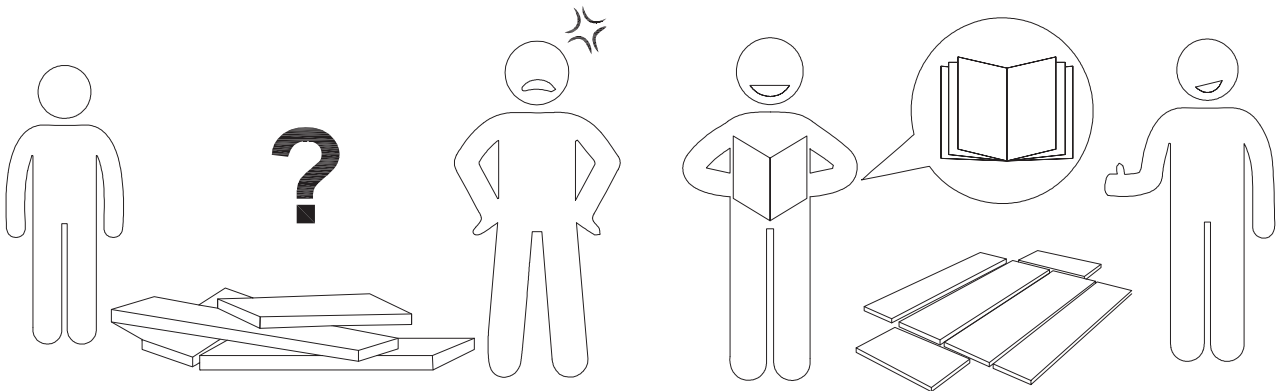
Warm Tips

1. Carefully read these instructions and keep them for future reference.
2. Check the parts list and confirm everything's there before starting assembly.
3. When assembling, put all parts on a soft, smooth surface like a carpet to avoid scratches.
4. Don't fully tighten screws until all parts are confirmed in place to avoid misalignment.



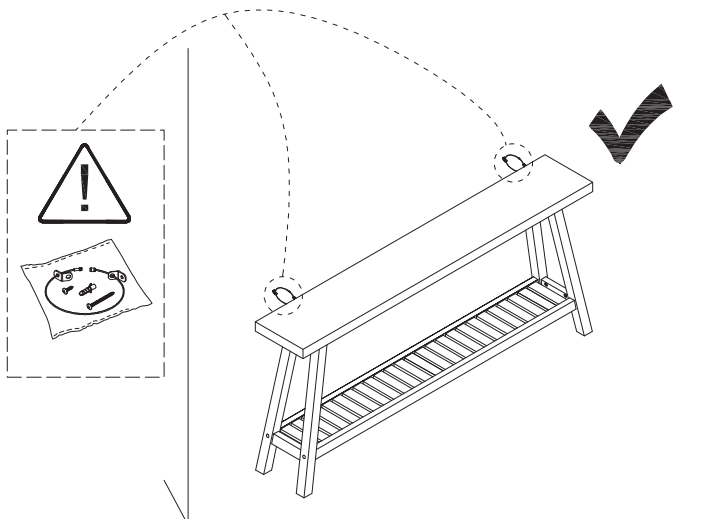
We recommend using hand tools for assembly.

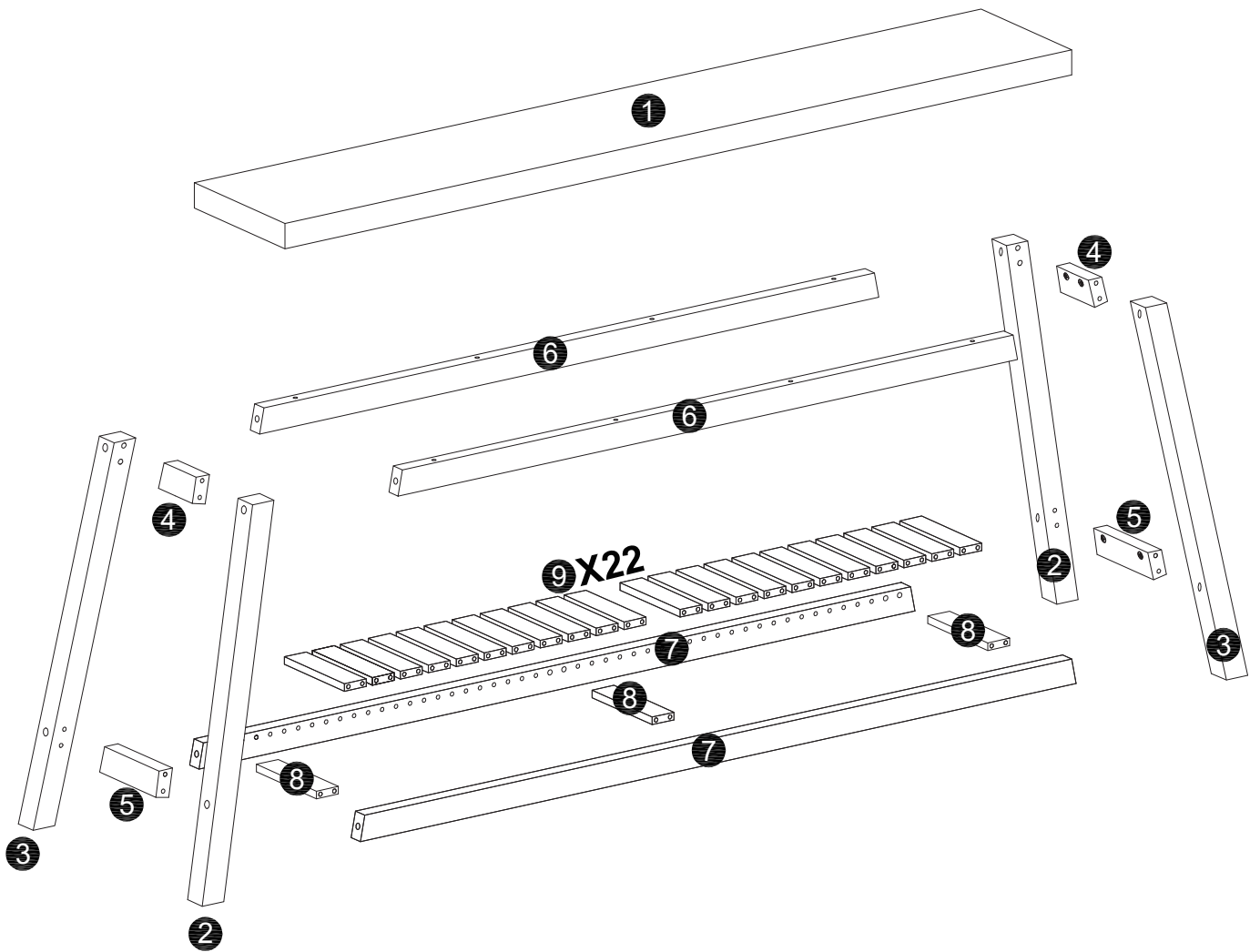
If an electric screwdriver is used, reduce power and torque to avoid damage to the product.



Install the Anti-Tip Straps

Using the anti-tip straps can reduce the risk of tipping over, but can not eliminate it.

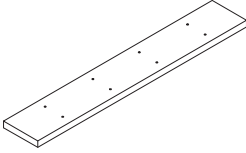
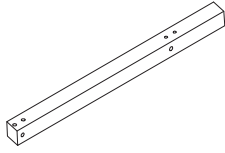
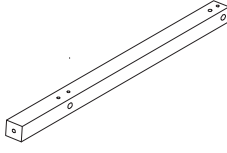
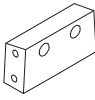
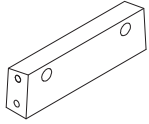
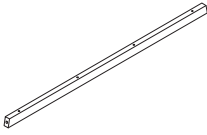
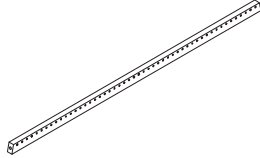
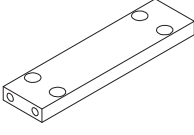
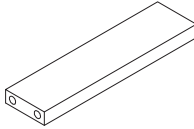




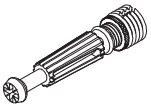

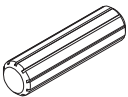
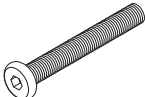

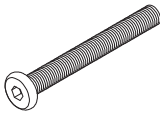
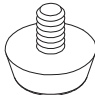
⚠ Caution

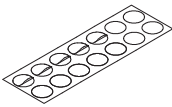
Make sure all parts are included. Most board parts are labeled or stamped on the raw edge. Contact us for a free replacement if you encounter any damaged or missing parts.

Parts List

<p>①</p>  <p>1 pc</p>	<p>②</p>  <p>2 pcs</p>	<p>③</p>  <p>2 pcs</p>	<p>④</p>  <p>2 pcs</p>	<p>⑤</p>  <p>2 pcs</p>
<p>⑥</p>  <p>2 pcs</p>	<p>⑦</p>  <p>2 pcs</p>	<p>⑧</p>  <p>3 pcs</p>	<p>⑨</p>  <p>22 pcs</p>	

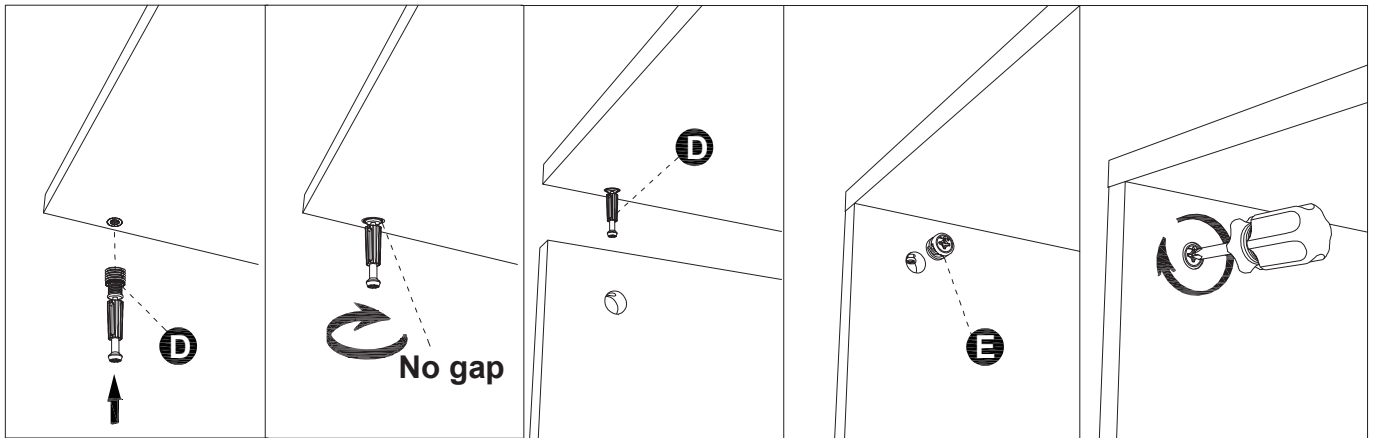
Hardware List

<p>A</p>  <p>M6x40mm</p> <p>21 pcs</p>	<p>B</p>  <p>∅15x12mm</p> <p>21 pcs</p>	<p>C</p>  <p>∅8x30mm</p> <p>97 pcs</p>	<p>D</p>  <p>M6x50mm</p> <p>9 pcs</p>	<p>E</p>  <p>M4</p> <p>1 pc</p>	<p>F</p>  <p>M6x55mm</p> <p>9 pcs</p>	<p>G</p>  <p>4 pcs</p>
--	---	--	---	--	---	--

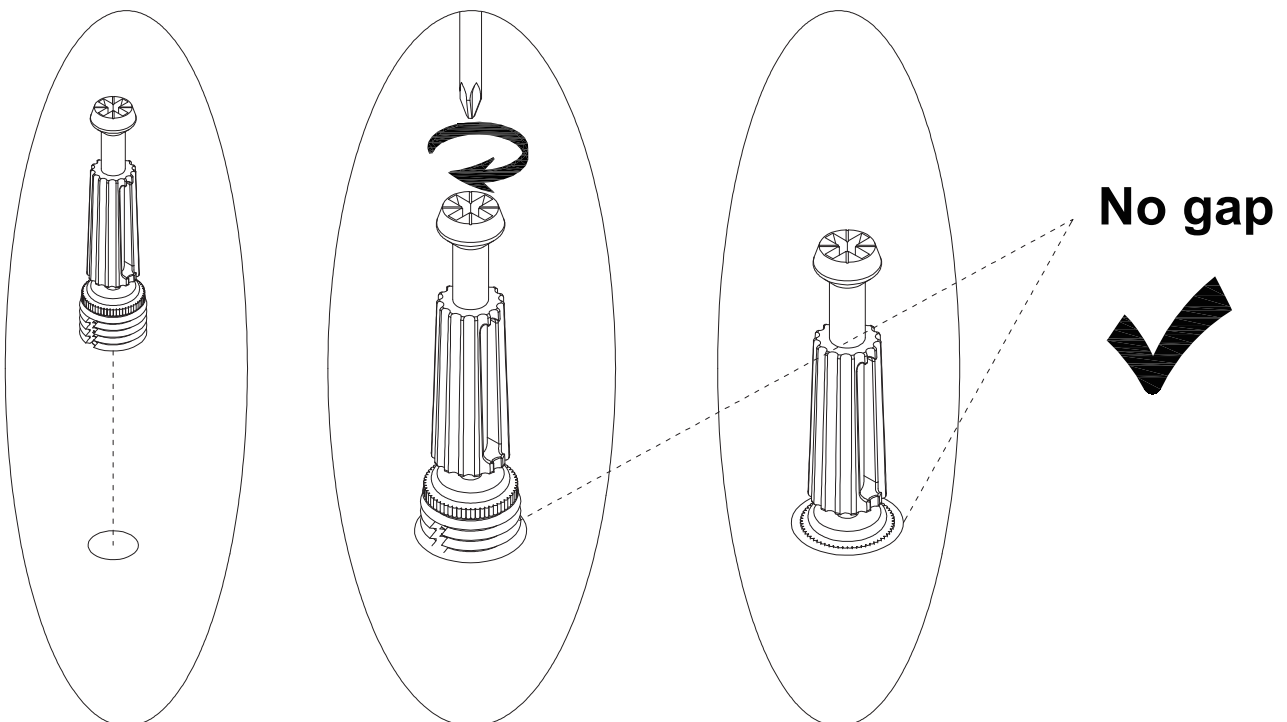
<p>H</p>  <p>13 pcs</p>	<p>I</p>  <p>2 pcs</p>					
---	--	--	--	--	--	--

Installation of Cams and Pins

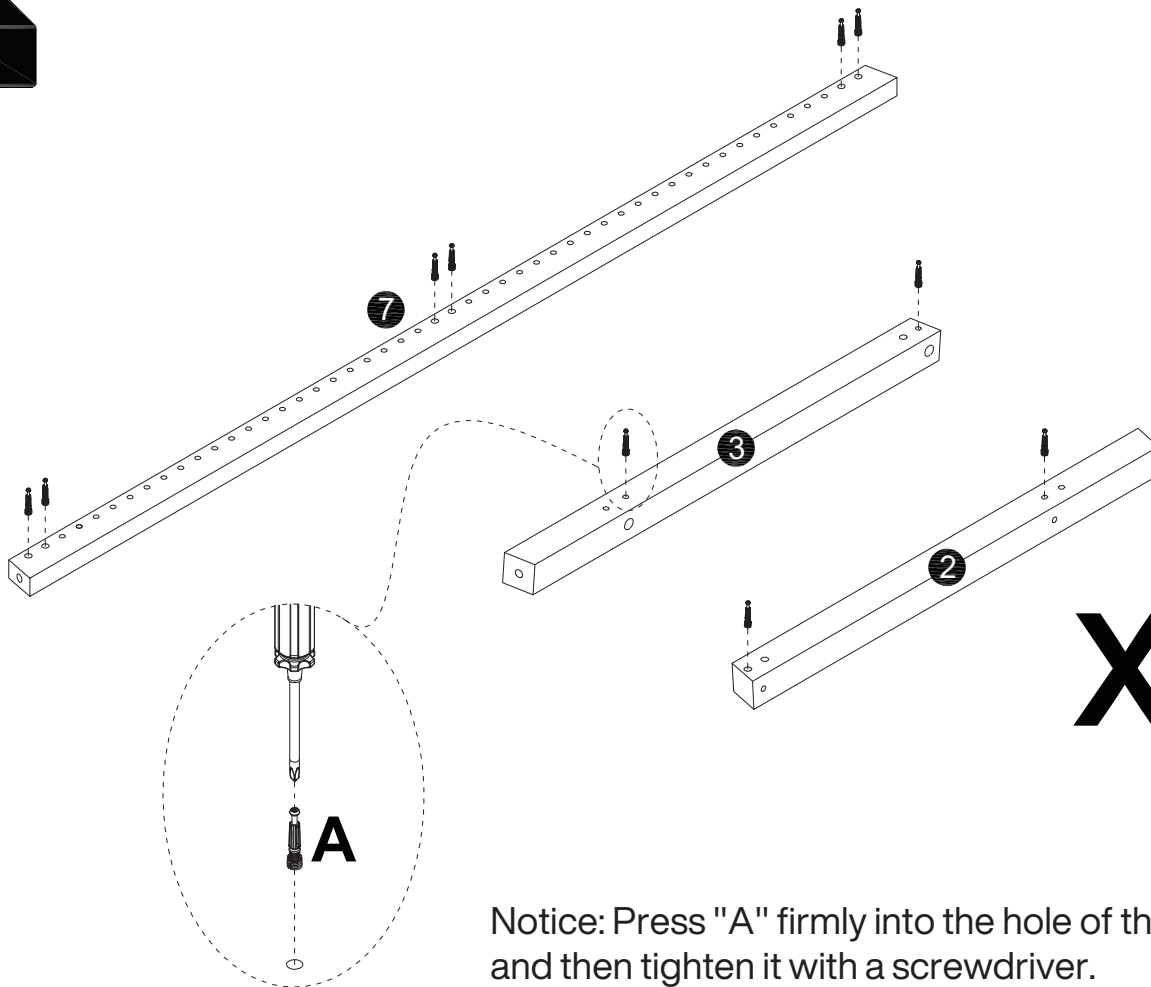
Screw the pin into the hole. To set the cams correctly, ensure that the arrow on the cam is opening to the hole of the pin it is locking. Lock the cam by turning the cam head with a screwdriver until it is tightened. Please do not use an electric screwdriver to assemble the unit.




Read each step carefully before starting. It is very important that each step of instruction is performed in the correct order. If these steps are not followed in sequence, assembly difficulties will occur.



1

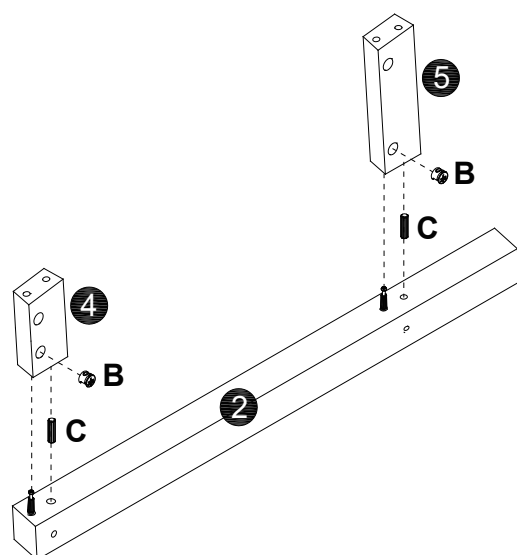
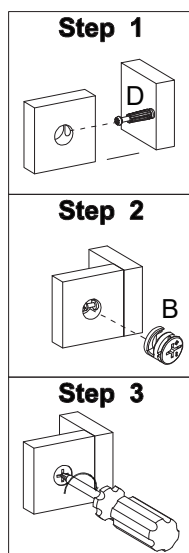



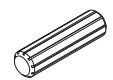
A

M6x40mm
20 pcs

X2

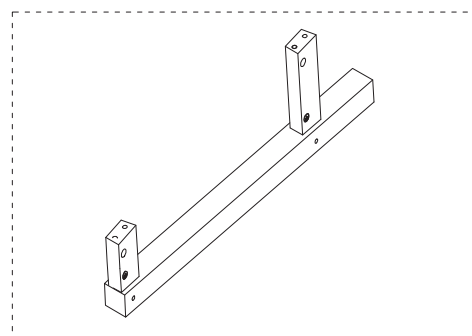
Notice: Press "A" firmly into the hole of the board, and then tighten it with a screwdriver.

2


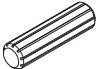


B	C
	
∅ 15x12mm	∅ 8x30mm
4 pcs	4 pcs

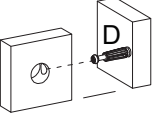
X2



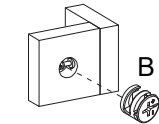
3

B	C
	
∅ 15x12mm	∅ 8x30mm
4 pcs	4 pcs

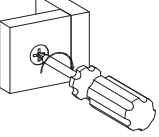
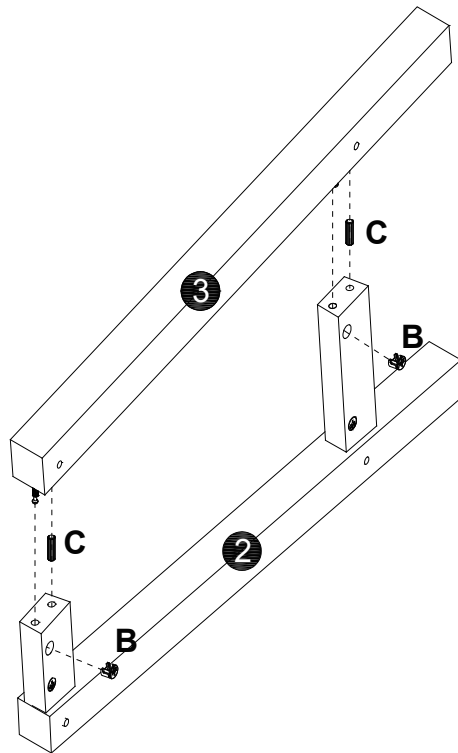
Step 1



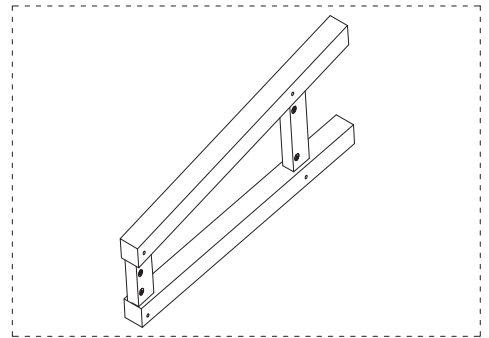
Step 2



Step 3





X2

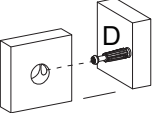


4

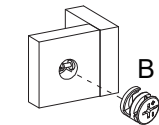
Notice: The installation direction of #8 must be consistent with the illustration.

B

∅ 15x12mm
6 pcs

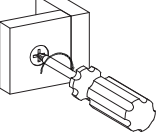
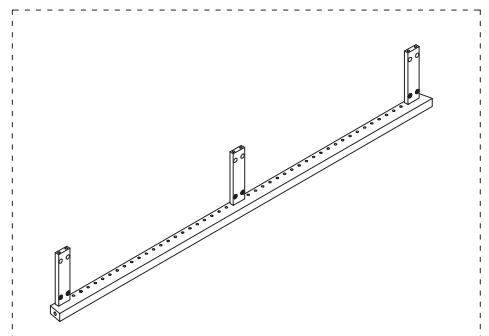
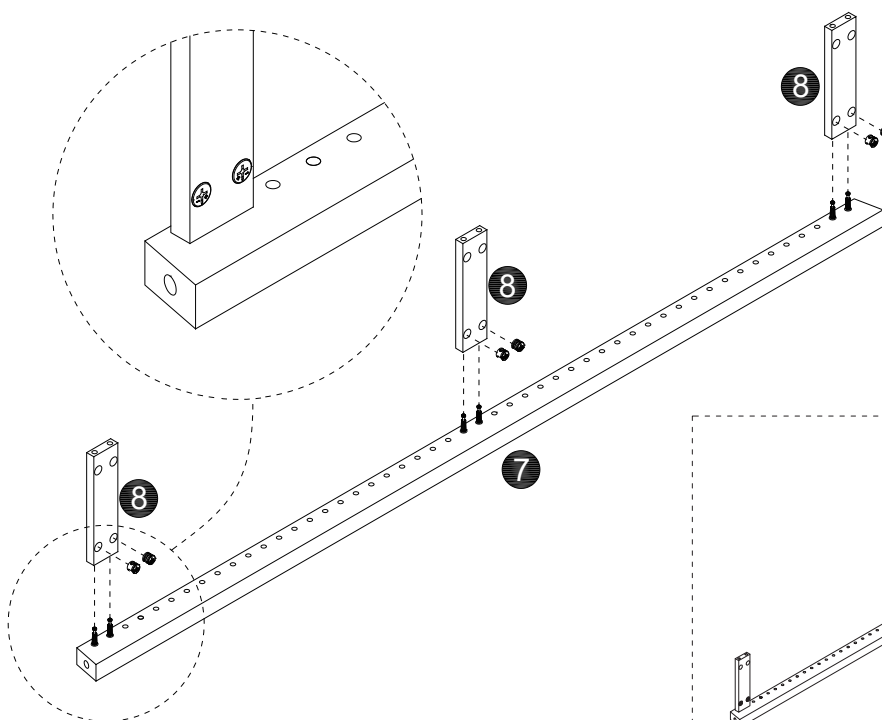
Step 1



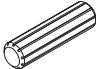
Step 2

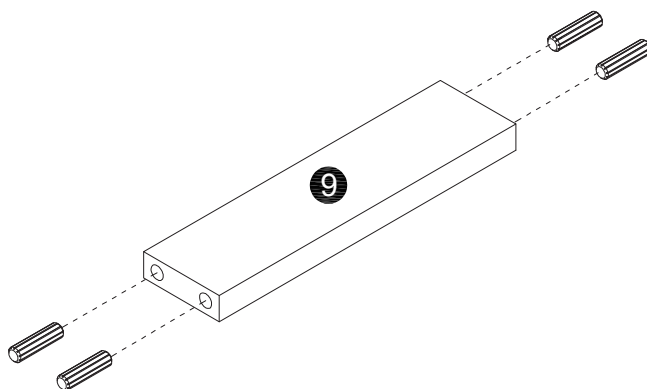


Step 3

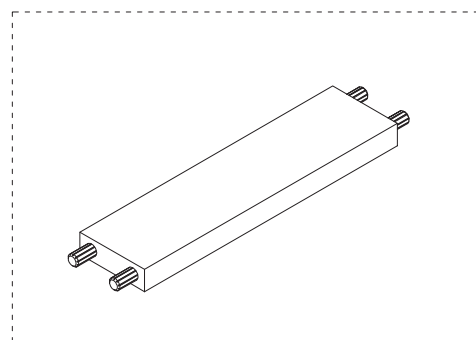



5

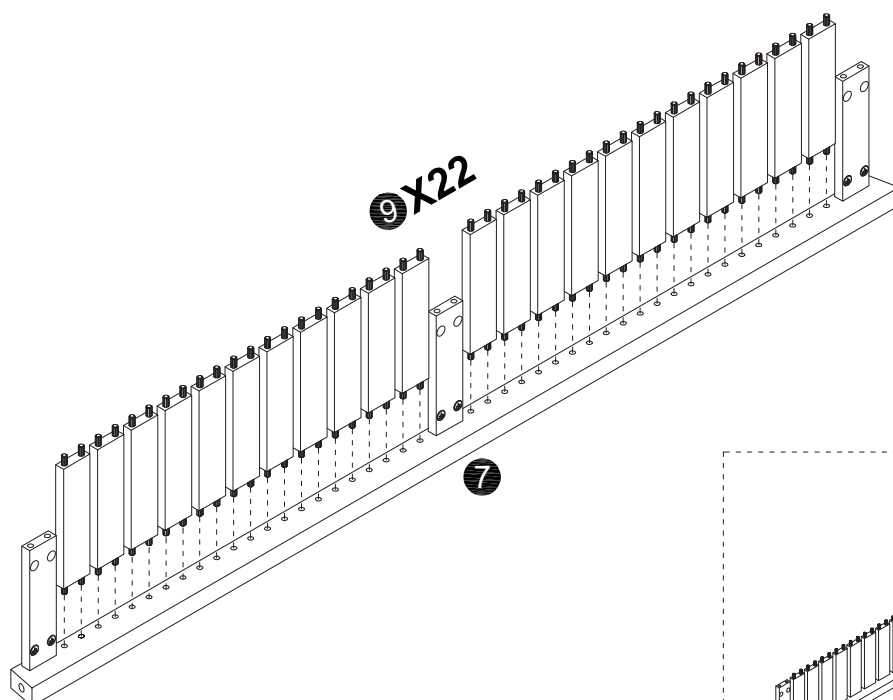
C

Ø8x30mm
88 pcs



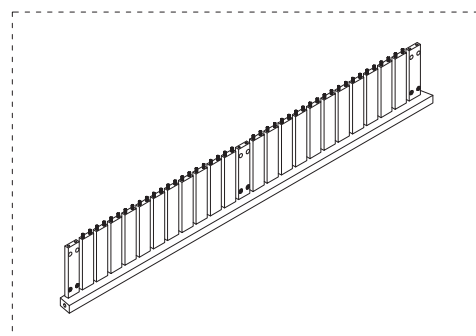
X22




6



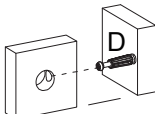
7



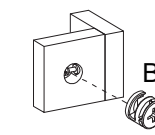
7

B

Ø 15x12mm
6 pcs

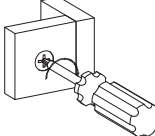
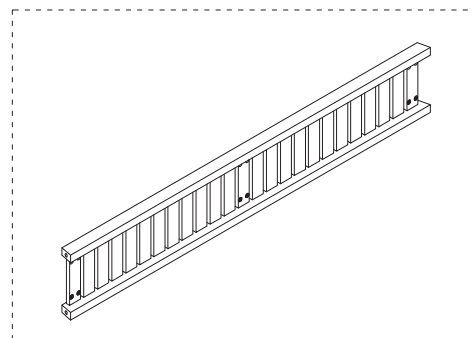
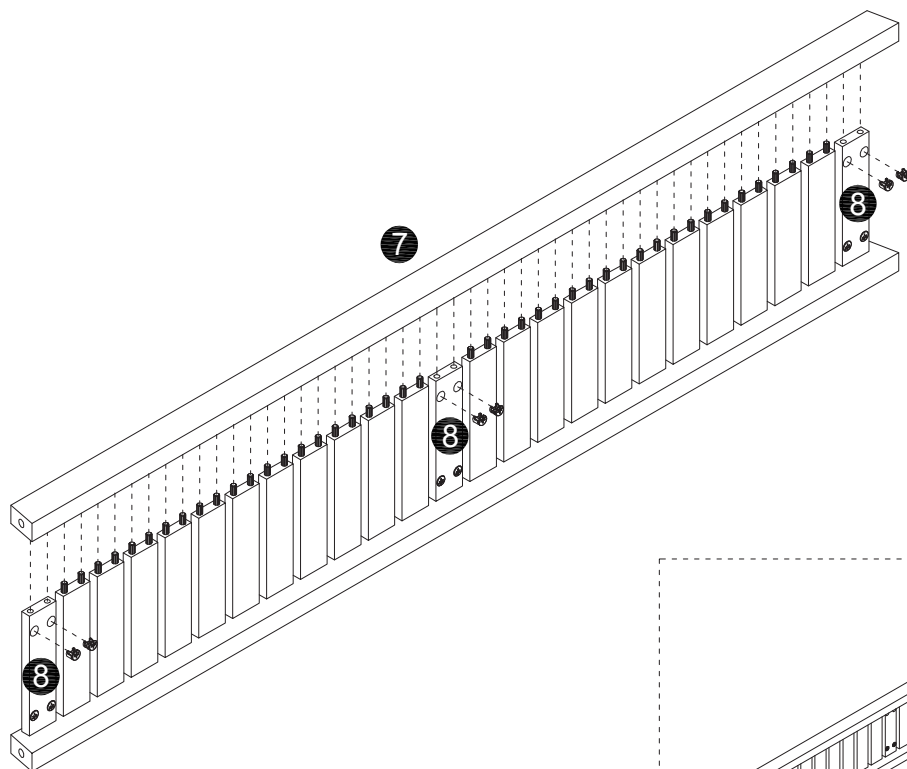
Step 1





Step 2

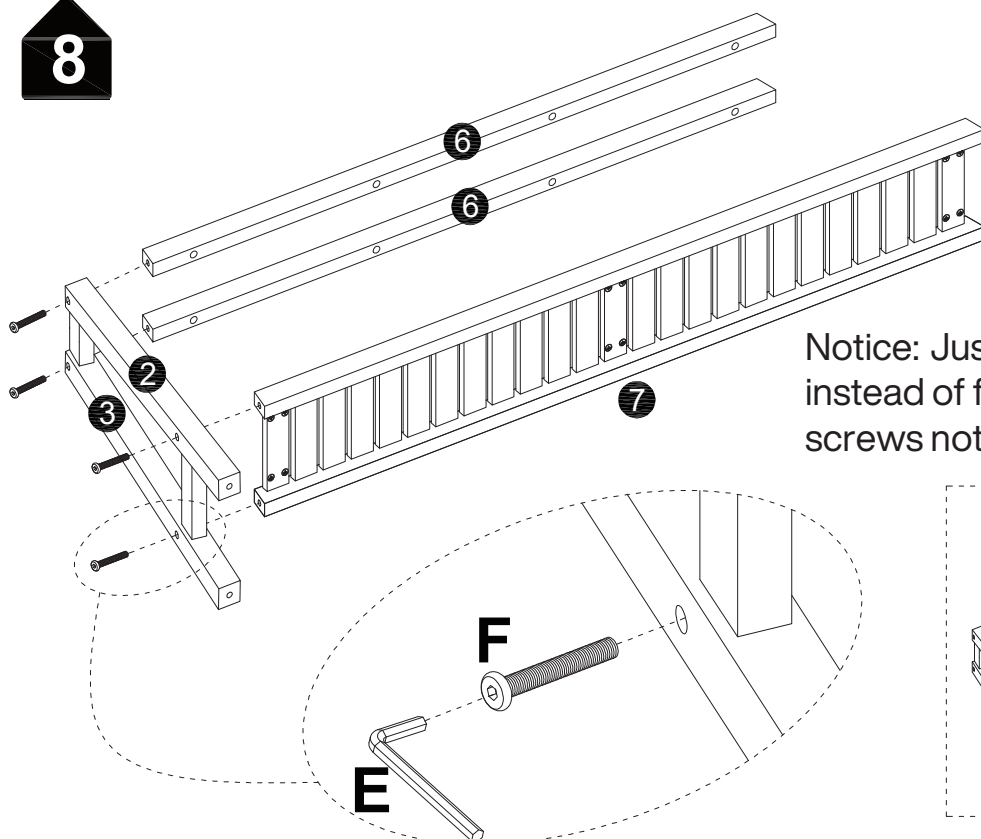


Step 3

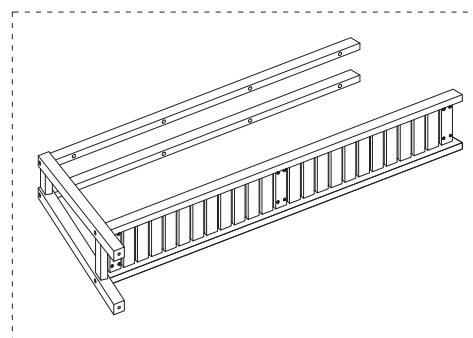



8

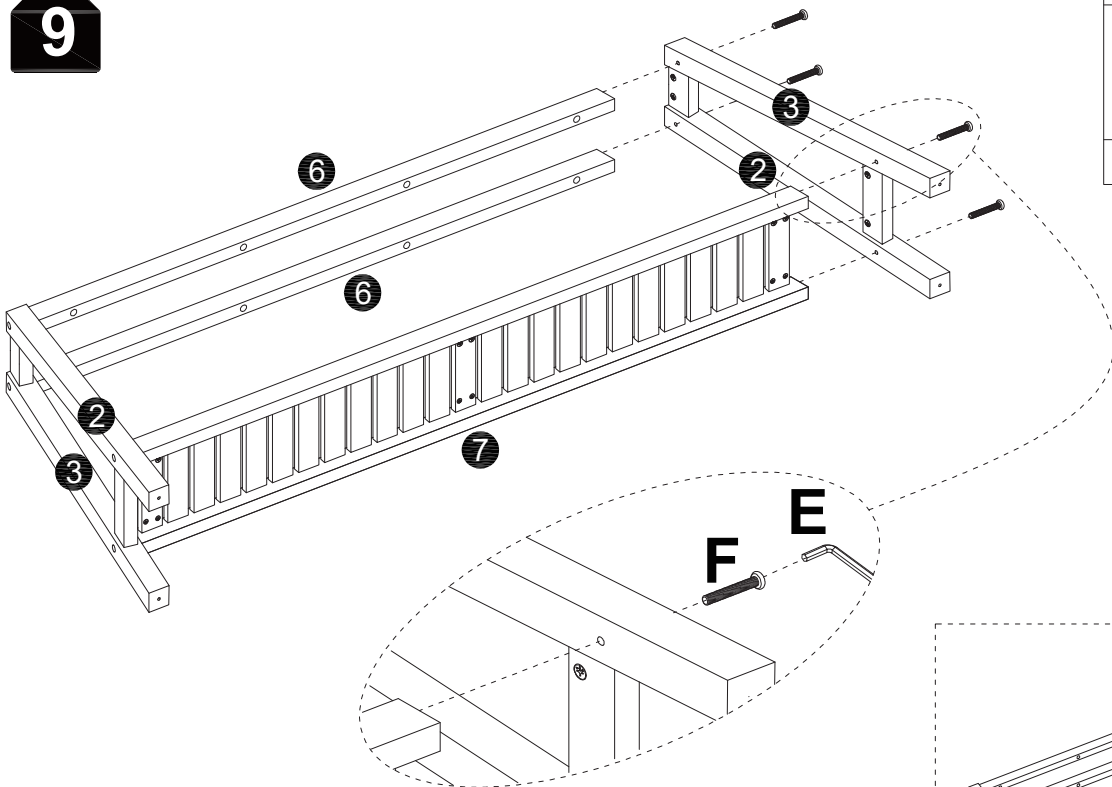
F	E
	
M6x55mm	M4
4 pcs	1 pc


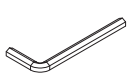


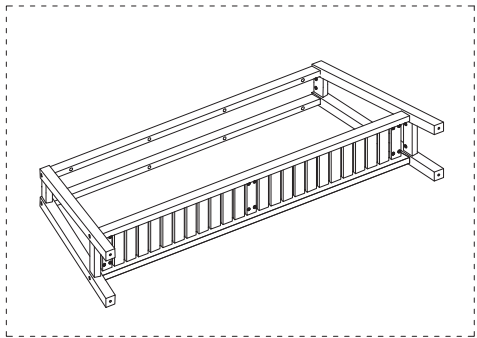
Notice: Just tighten the screw to 60% instead of fully tightened to avoid other screws not aligning with the holes.



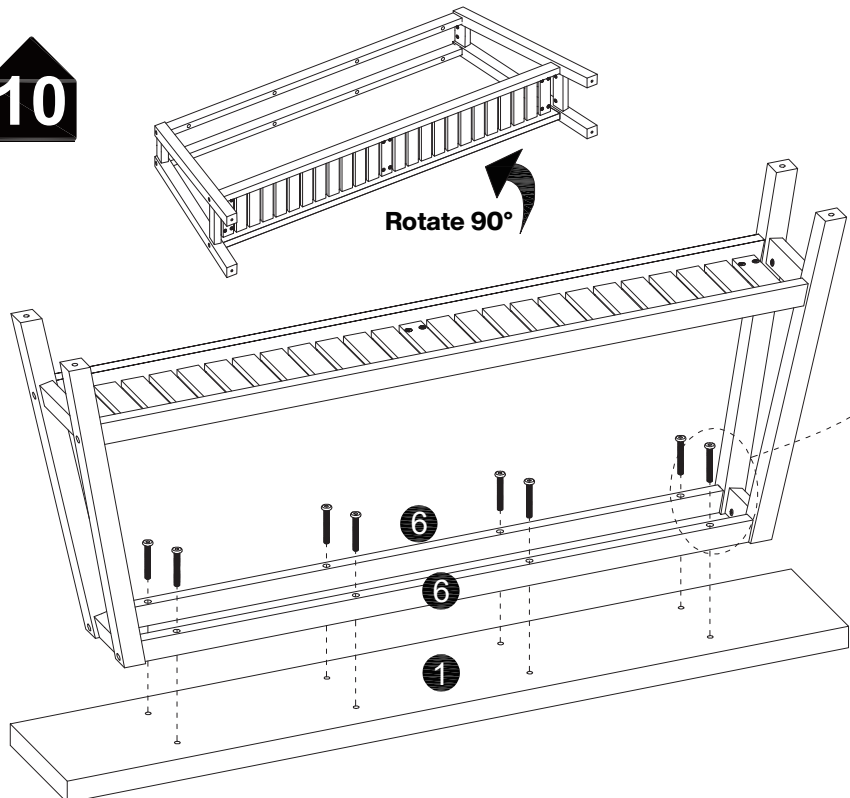
9





F	E
	
M6x55mm	M4
4 pcs	1 pc

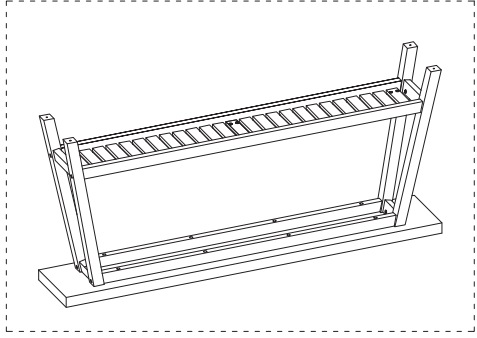
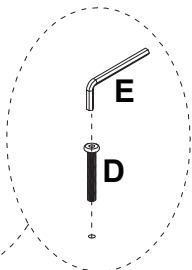


10



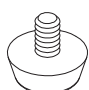
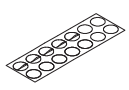
Rotate 90°

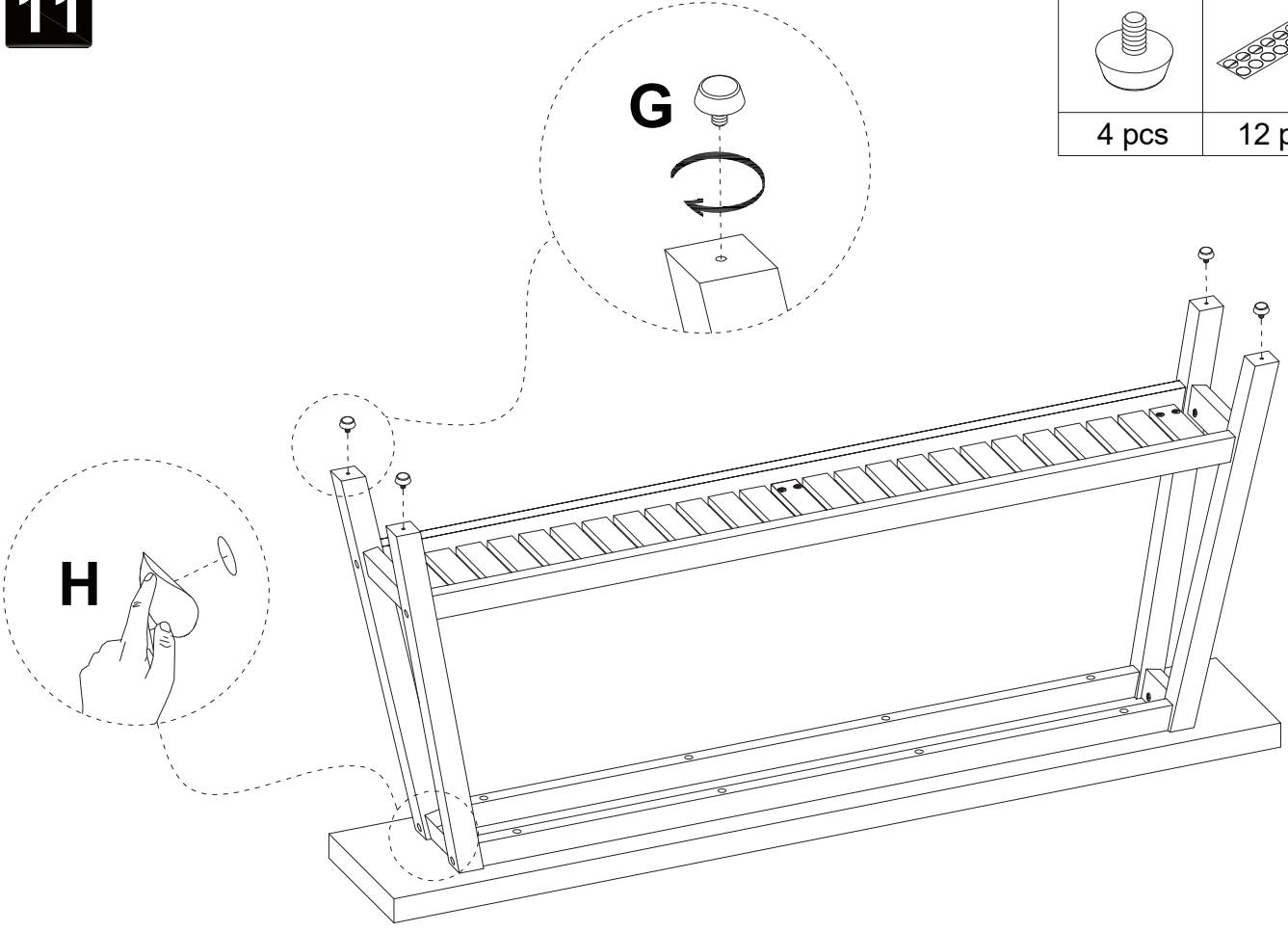
D	E
	
M6x50mm	M4
8 pcs	1 pc




Notice: Tighten all screws completely until you ensure that they are all fit into the holes.

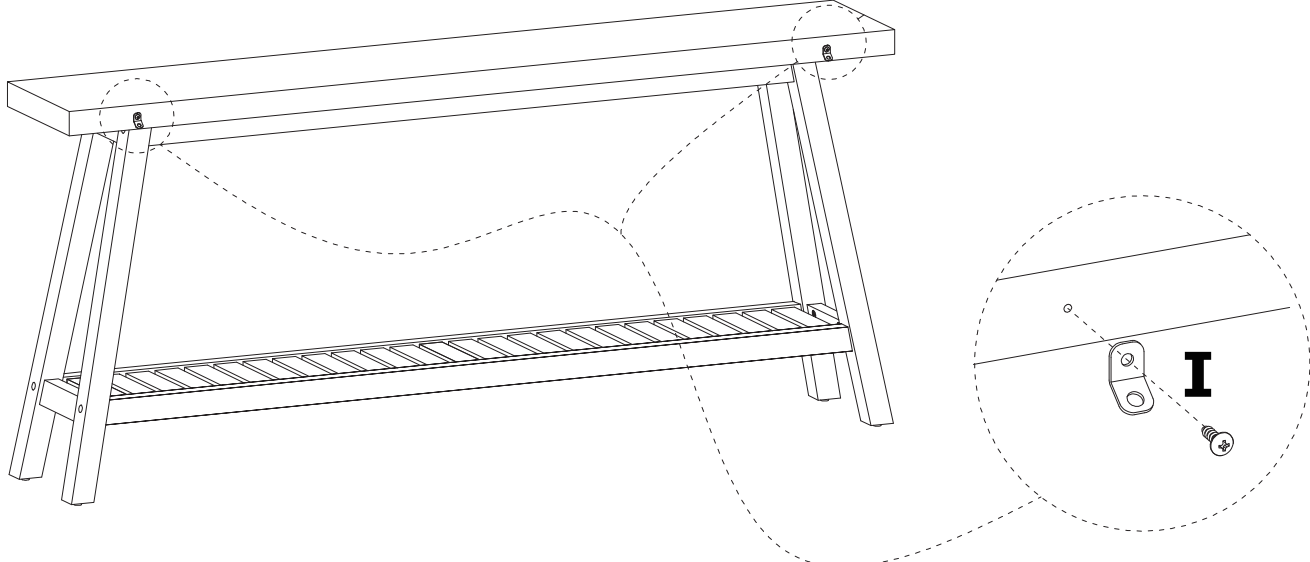
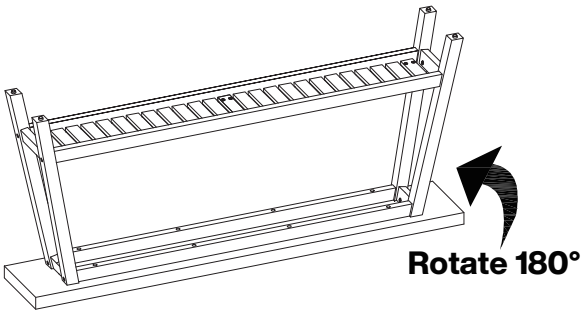
11

G	H
	
4 pcs	12 pc



12

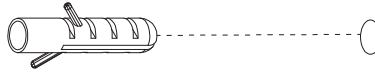
I

2 pcs



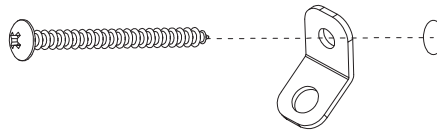
13

Wall

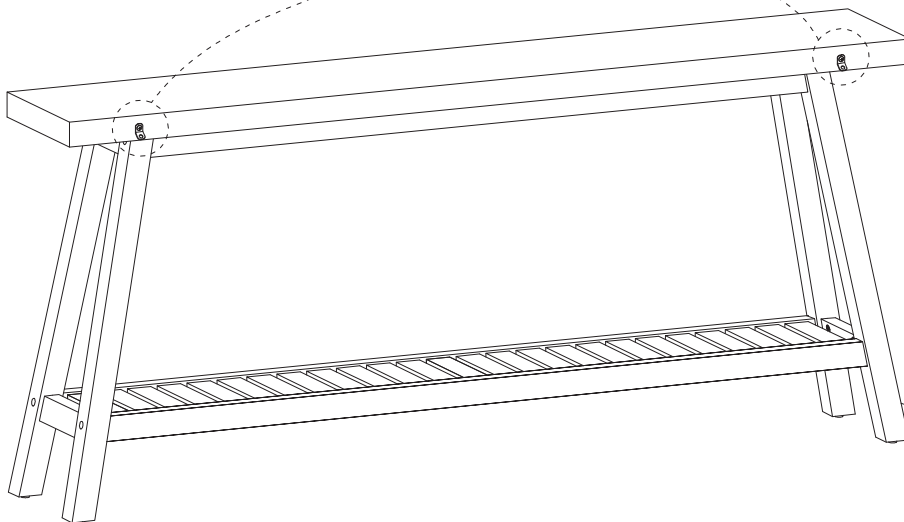
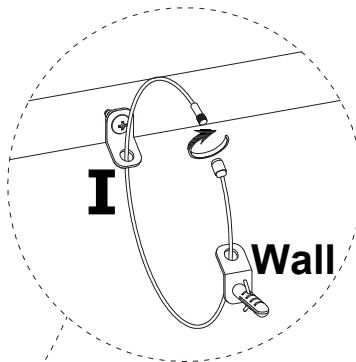
Step1



Step2



Step3



Thank you for your support!

