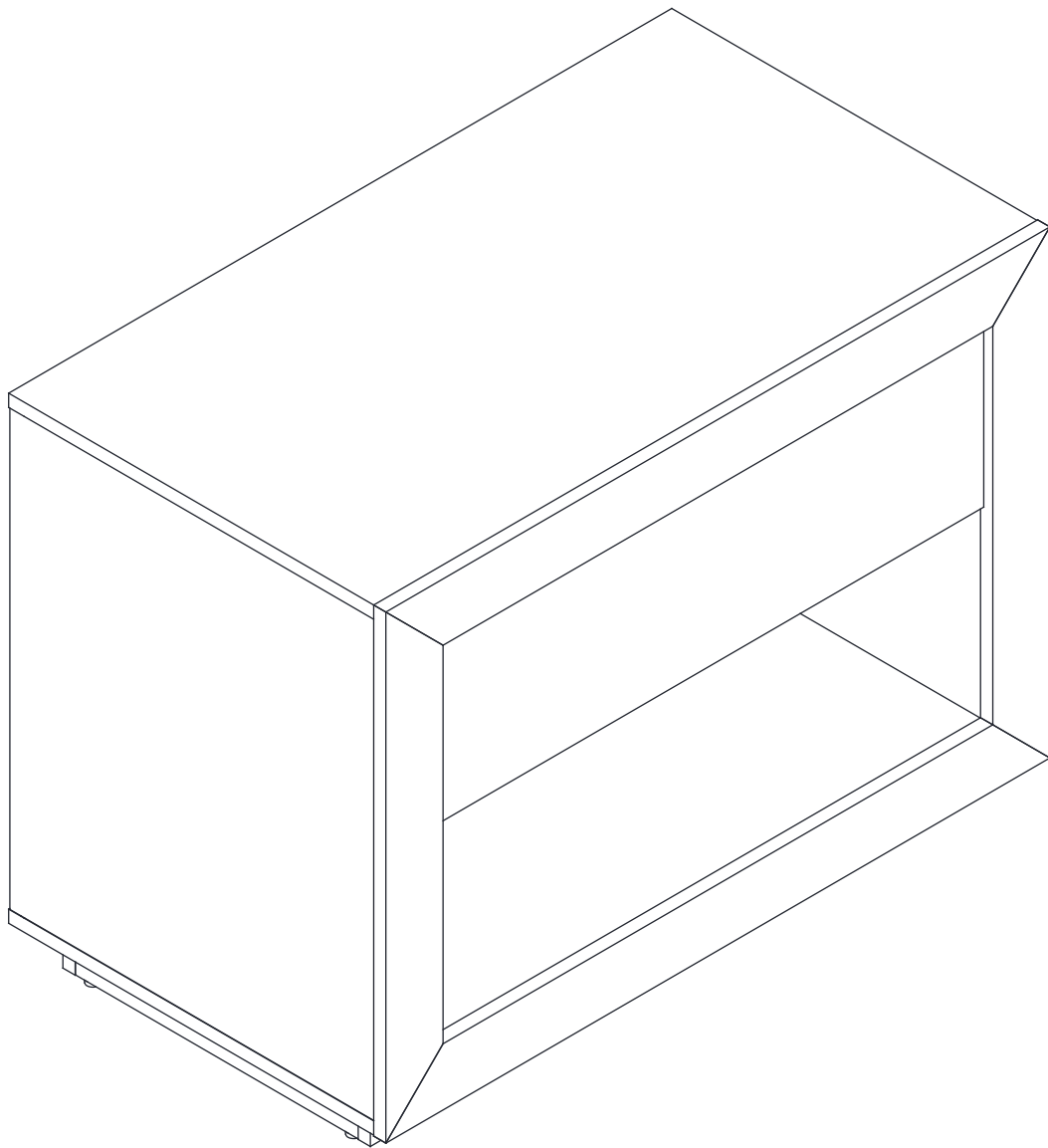




**MANHATTAN
COMFORT**

NS1877



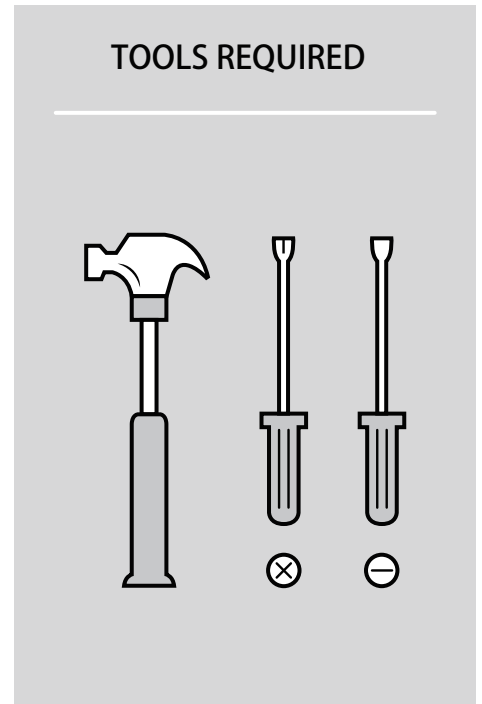
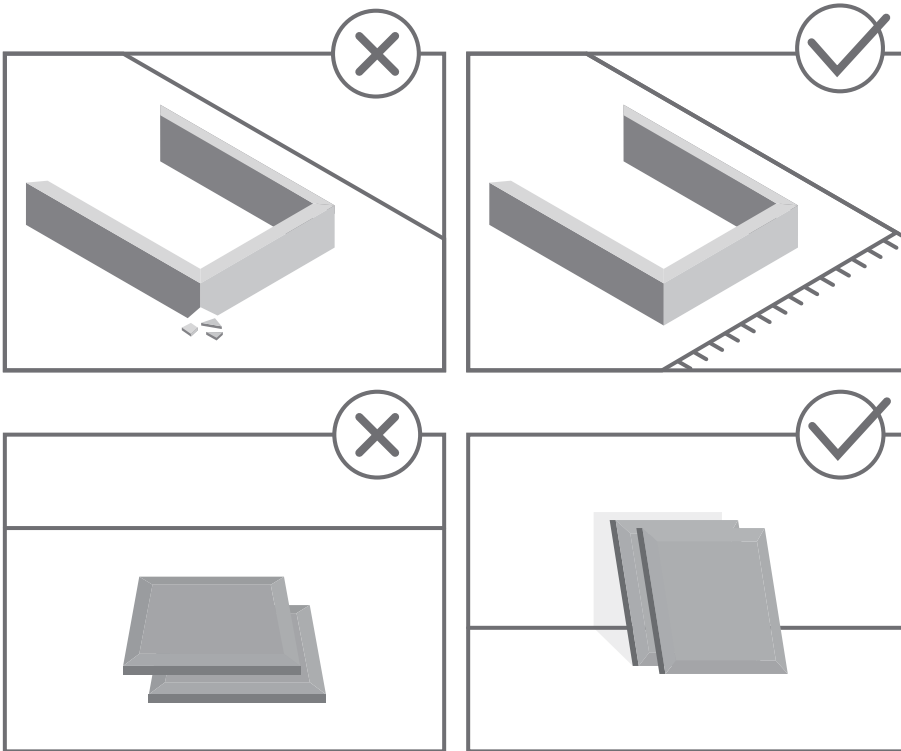


STOP!

Before beginning the assembly process, ensure all boxes and parts have been delivered.

FOR BEST RESULTS:

- Do not throw away packaging materials until assembly is complete.
- Assemble item on a soft surface, such as cardboard or carpet, to protect finish.
- Proper assembly requires two people.



View our assembly video online:
WWW.MANHATTANCOMFORT.COM



Stuck? Question? We are here to help.
tel: 908-888-0818
e-mail: help@manhattancomfort.com

Support Site



Included in this package:

A:Top Panel (1)

B:Bottom Panel (1)

C:Left Side Panel (1)

D:Right Side Panel (1)

E:Back Panel (1)

F:Deco Frame (1)

G:Front and Back Plinth (2)

H:Left and Right Plinth (2)

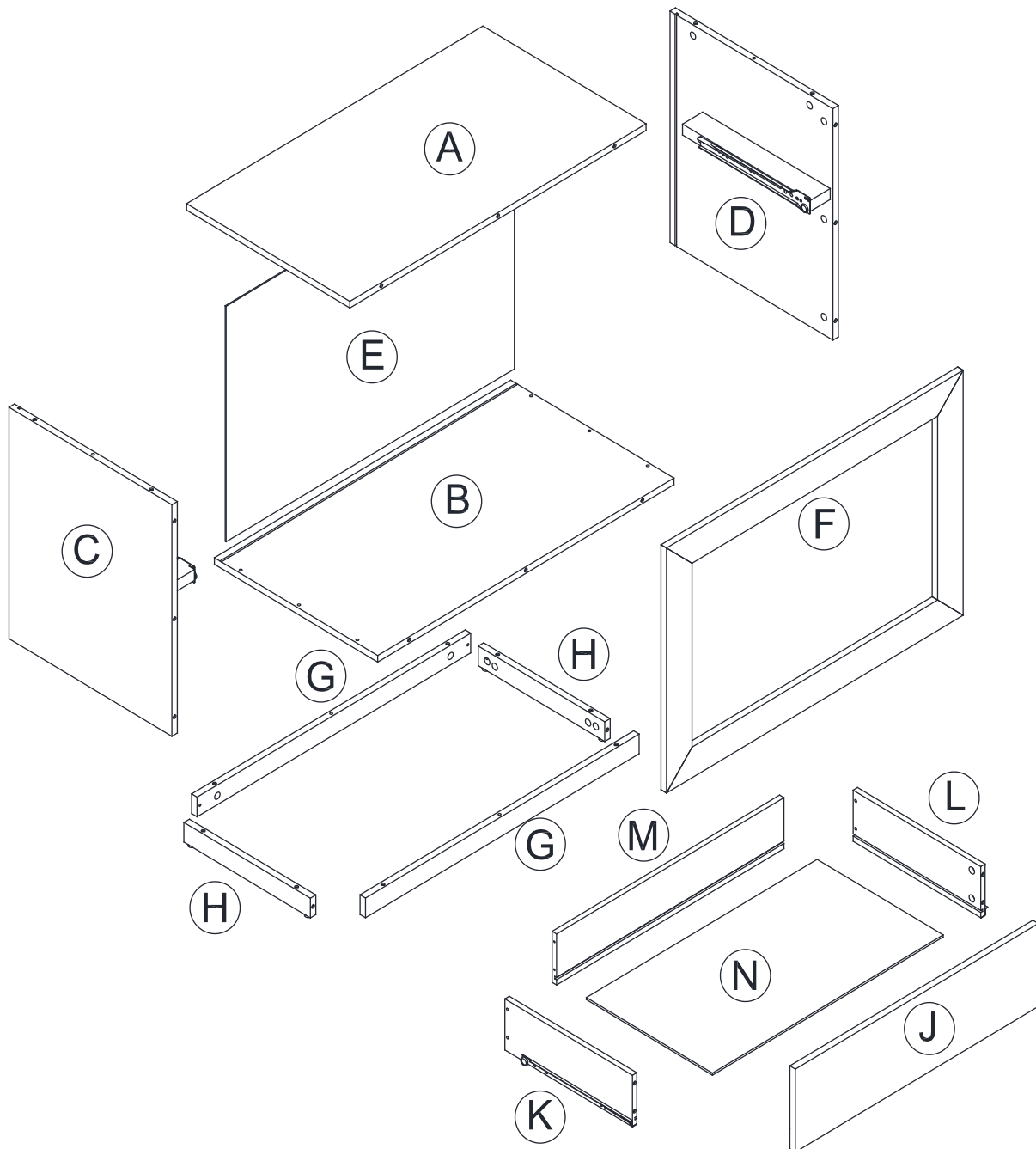
J:Drawer Front Panel (1)

K:Drawer Side Panel Left (1)

L:Drawer Side Panel Right (1)

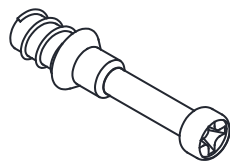
M:Drawer Back Panel (1)

N:Drawer Bottom Panel (1)



Hardware Identification

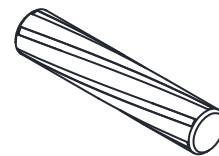
① CAM SCREW - 32pcs



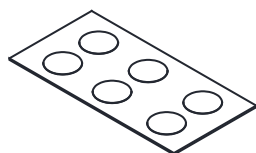
② HIDDEN CAM - 32pcs



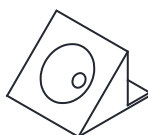
③ WOOD DOWEL - 6pcs



④ APPLIQUE CARD - 6pcs



⑤ BACK PANEL CLIP - 10pcs

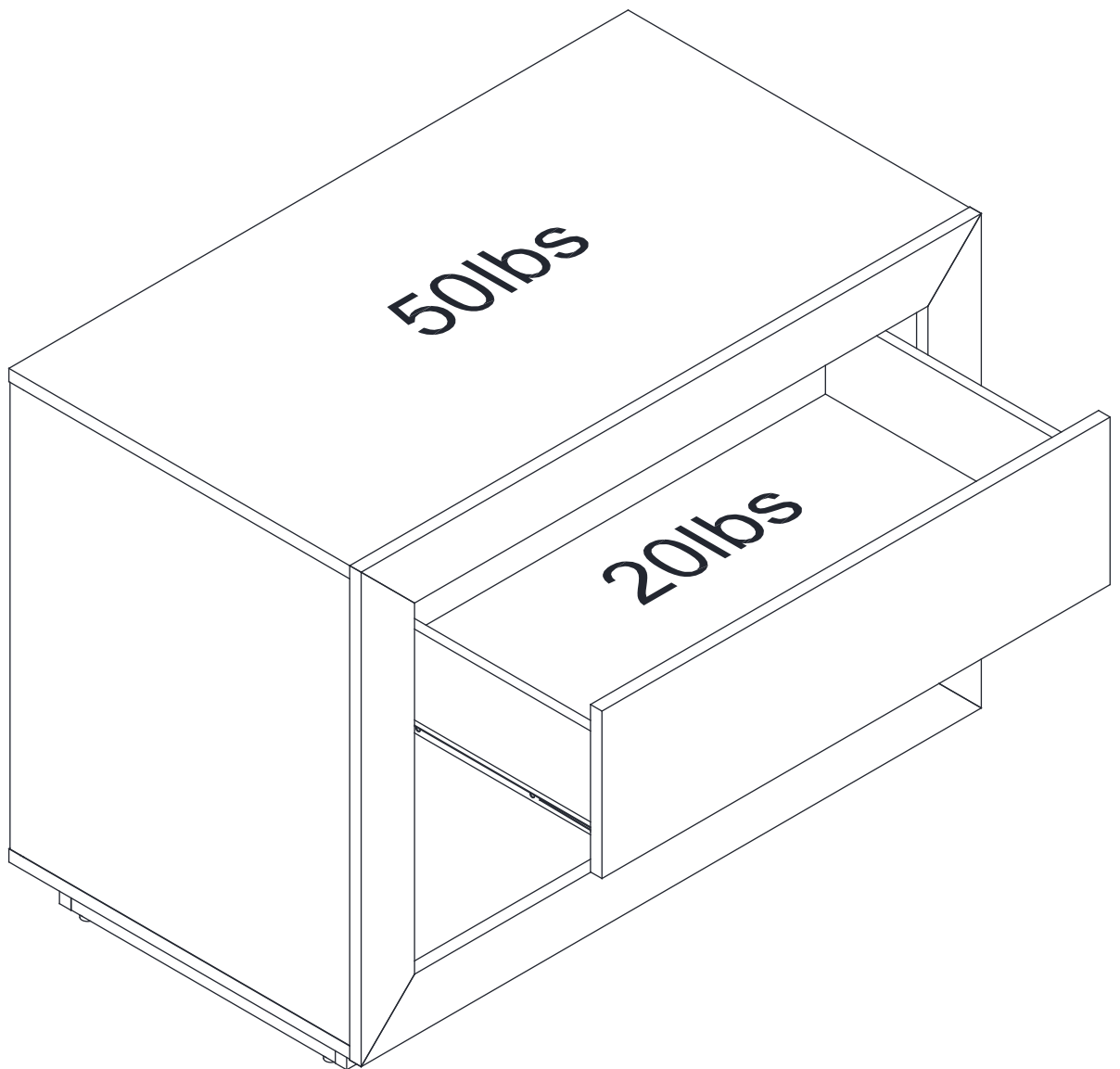


⑥ PAN HEAD SCREW
M5*35 - 8pcs



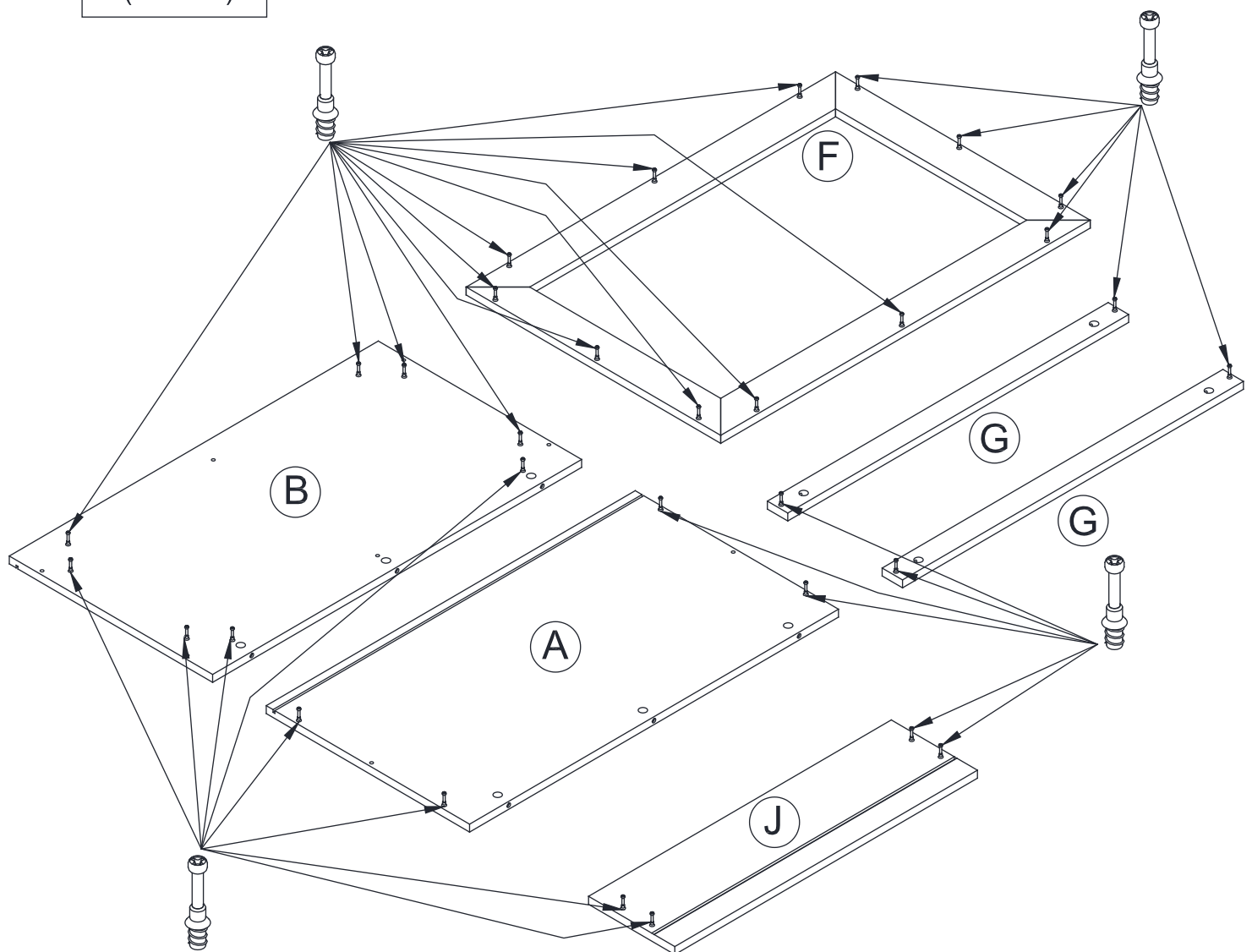
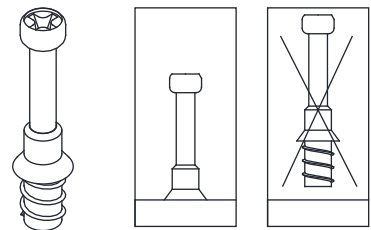
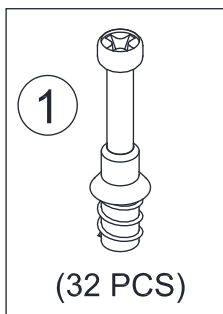
⑦ FLAT HEAD SCREW
M3*16 - 10pcs





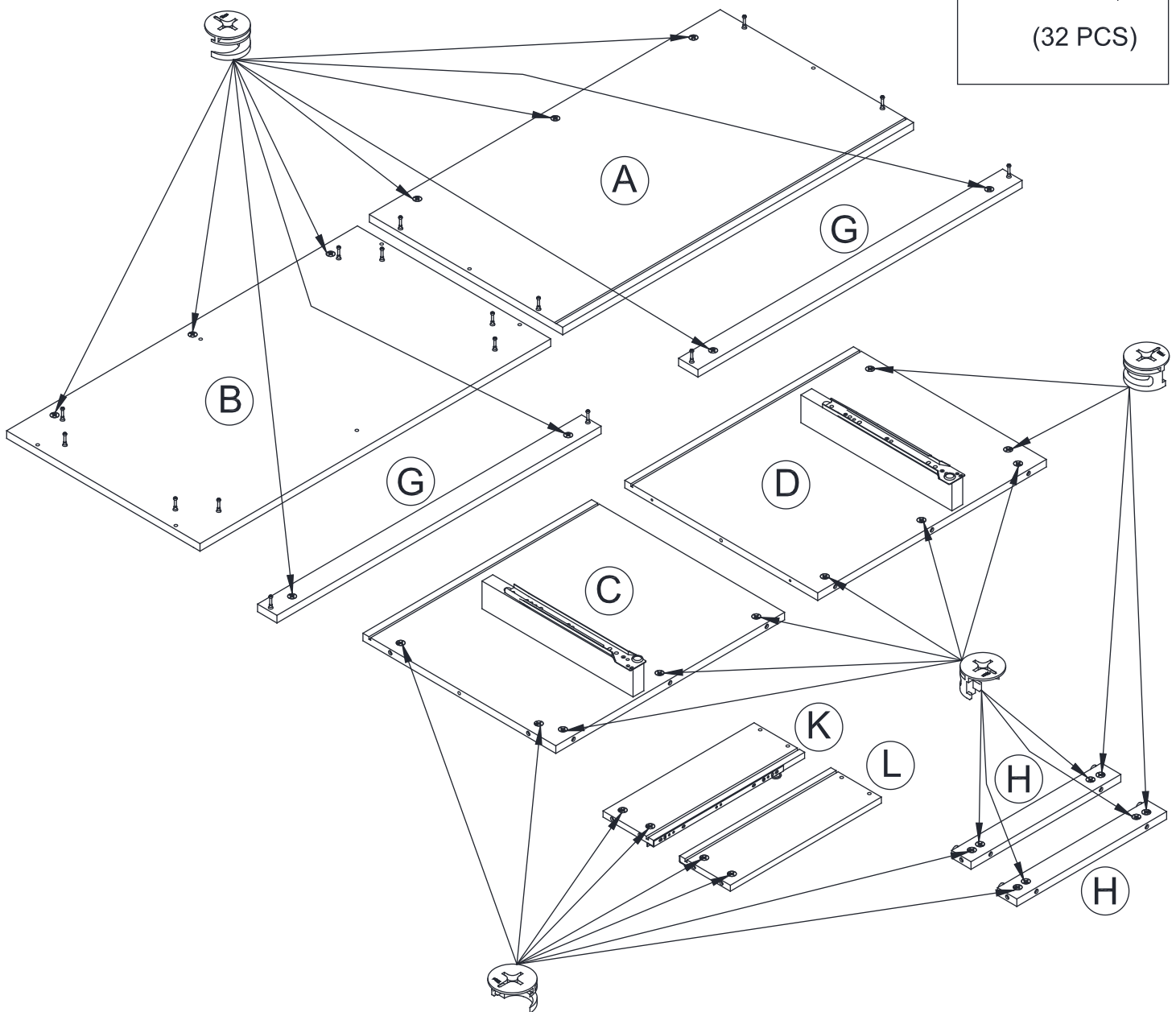
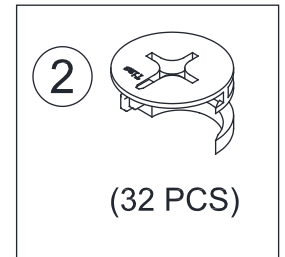
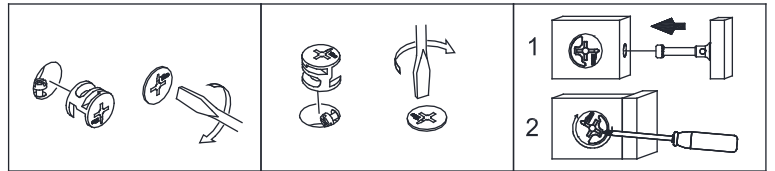
Step 1

- ◆ Screw 32 Cam Screw (1) into the Top Panel (A), the Bottom Panel (B), the Deco Frame (F), the Front and Back Plinth (G), and the Drawer Front Panel (J).



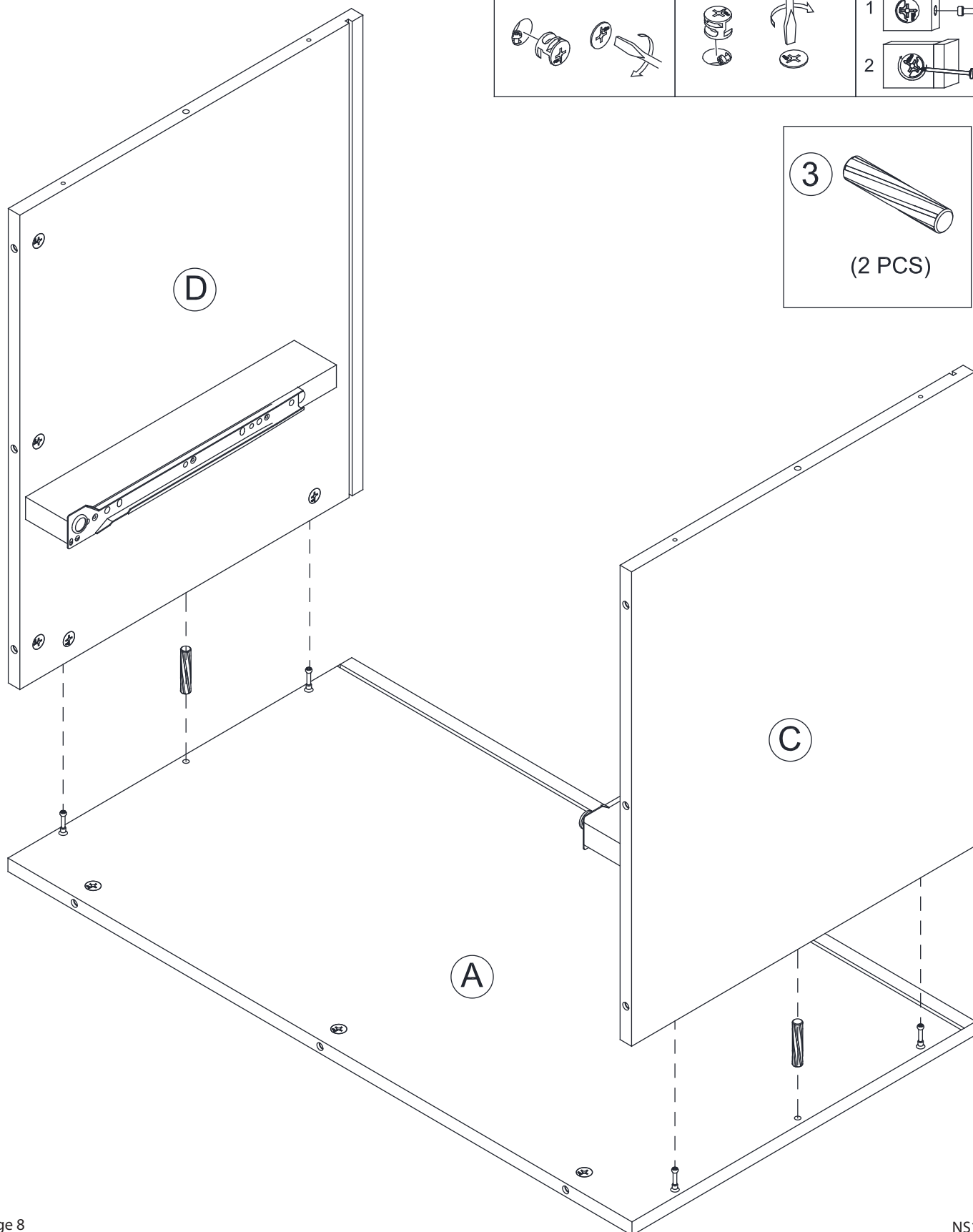
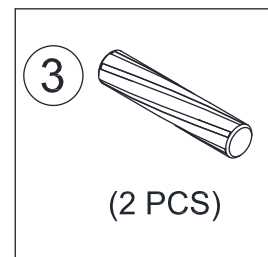
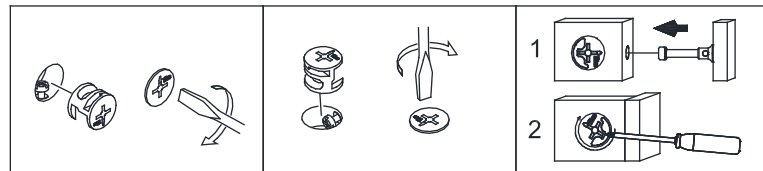
Step 2

- ◆ Insert 32 Hidden Cam (2) into the Top Panel (A), the Bottom Panel (B), the Left and Right Side Panel (C, D), the Front and Back Plinth (G), Left and Right Plinth (H), and the Drawer Side Panel Left and Right (K,L).



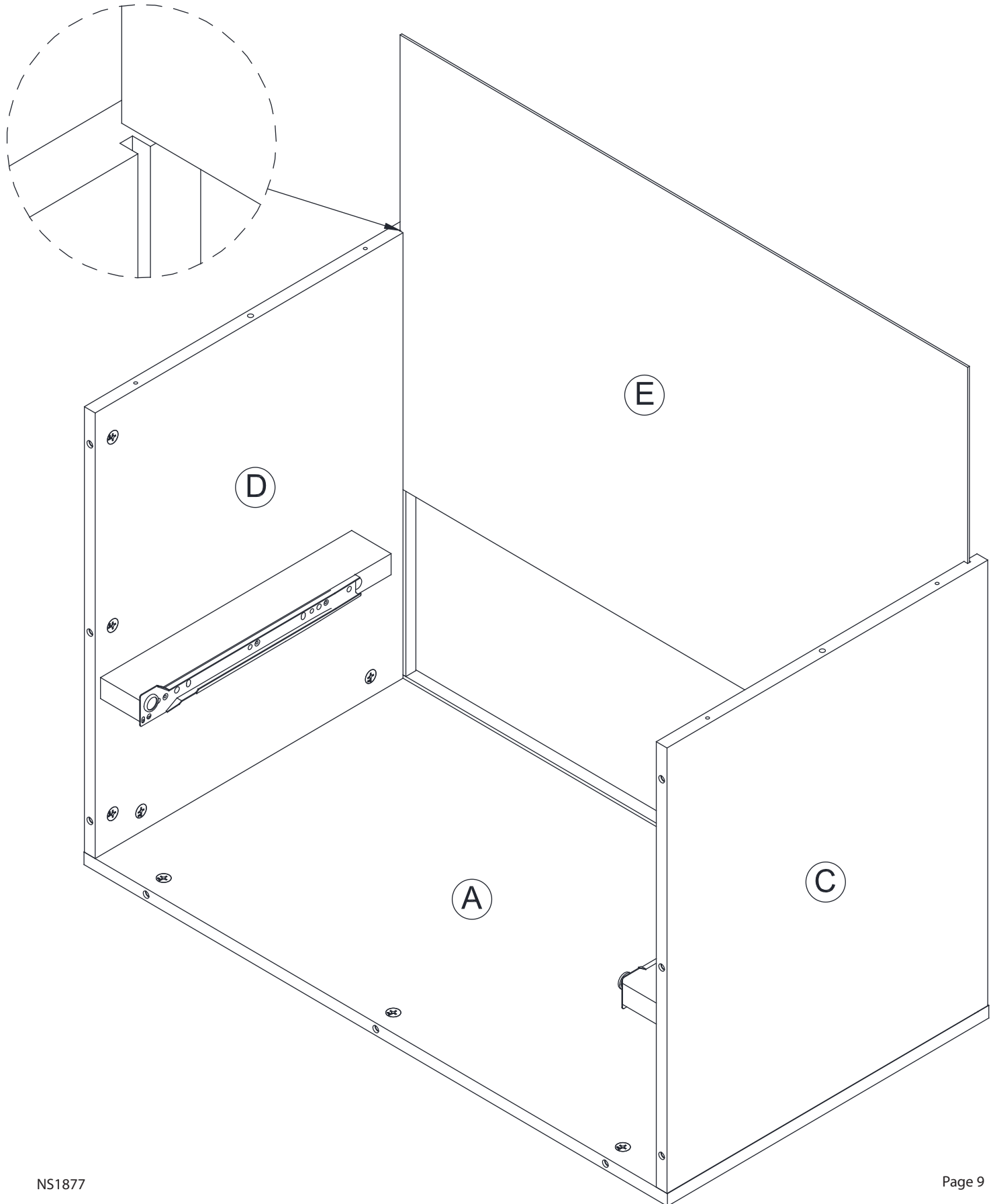
Step 3

- ◆ Use Wood Dowel (3) and Hidden Cam (2), secure the Left and Right Side Panel (C,D) to the Top Panel (A).



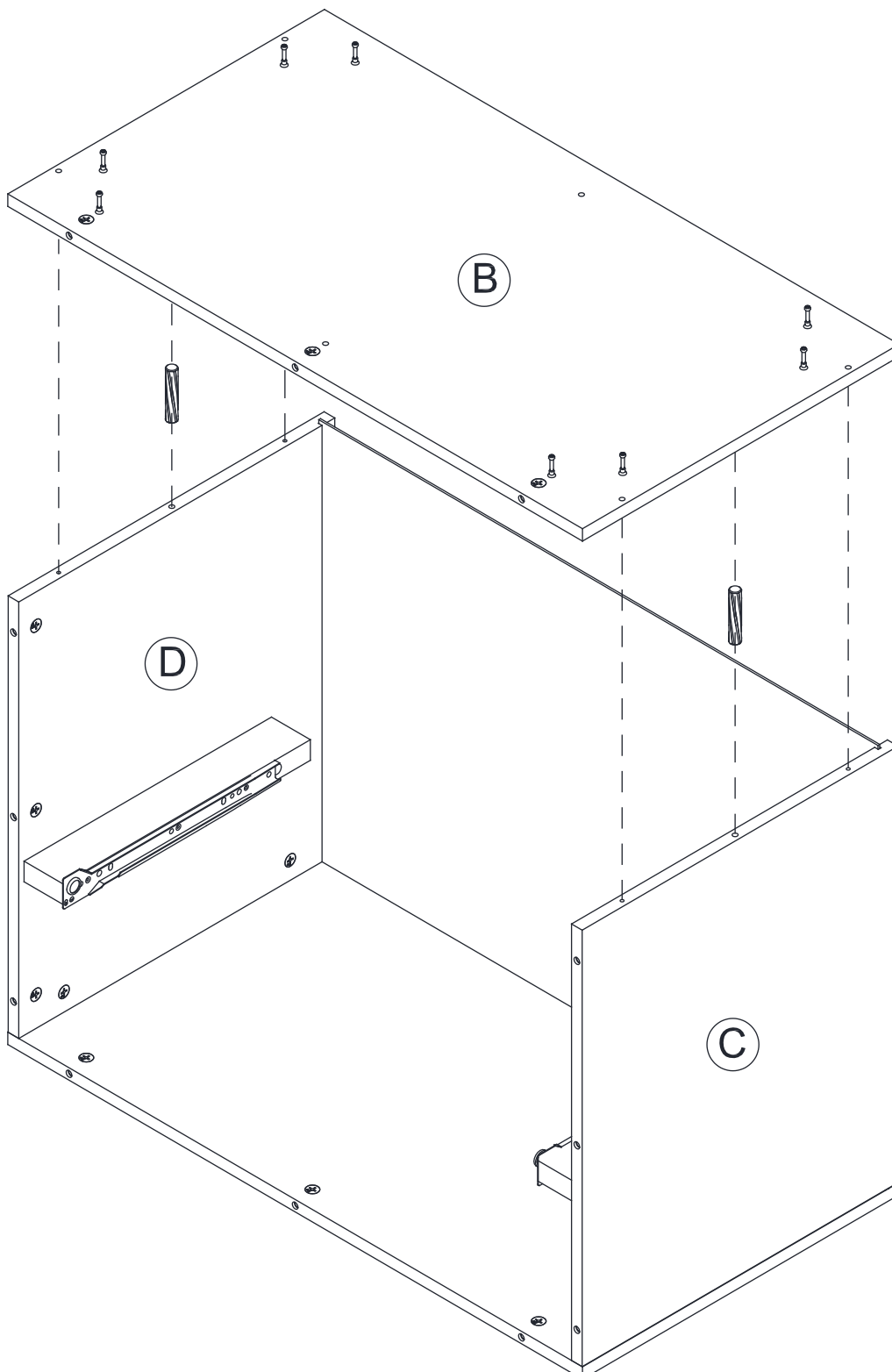
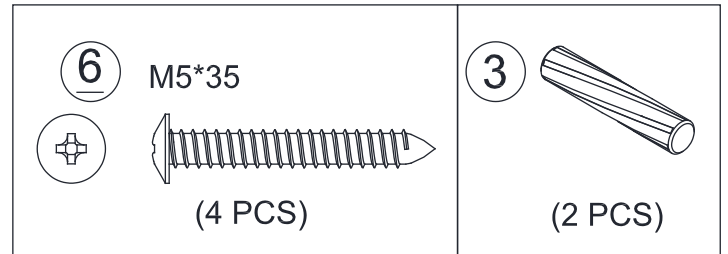
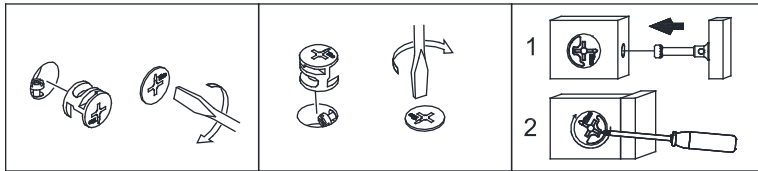
Step 4

- ◆ Slide the Back Panel (E) into the grooves of the Left and Right Side Panel (C,D) and the Top Panel (A).



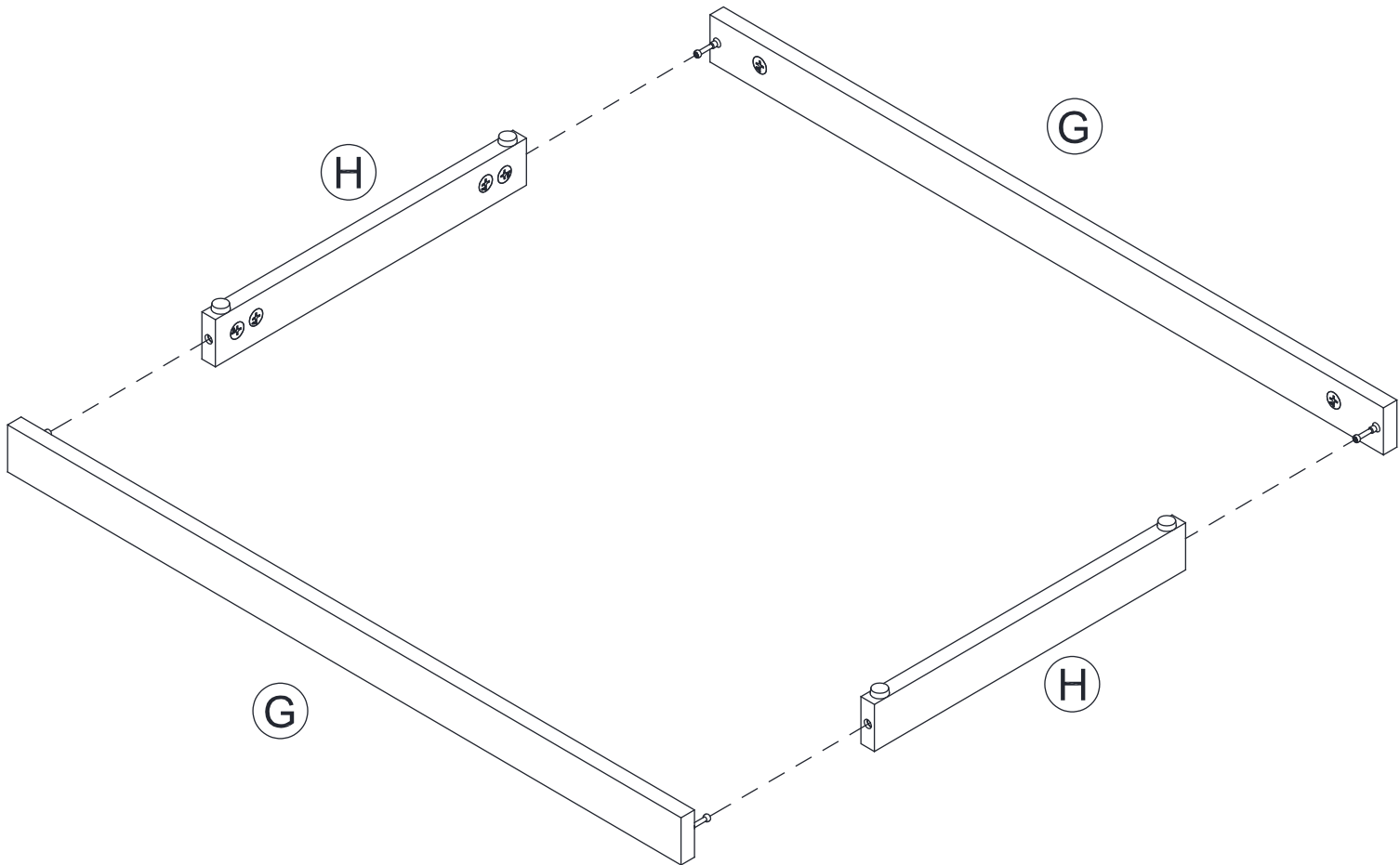
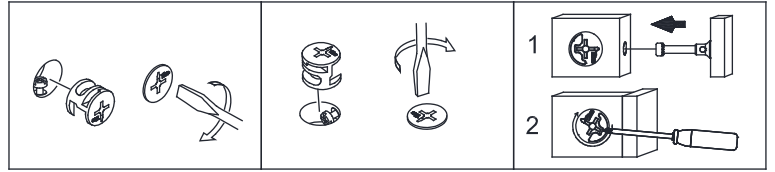
Step 5

- ◆ Use Wood Dowel (3) and Pan Head Screw (6), secure the Left and Right Side Panel (C,D) to the Bottom Panel (B).



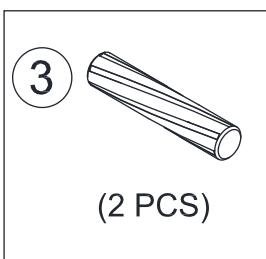
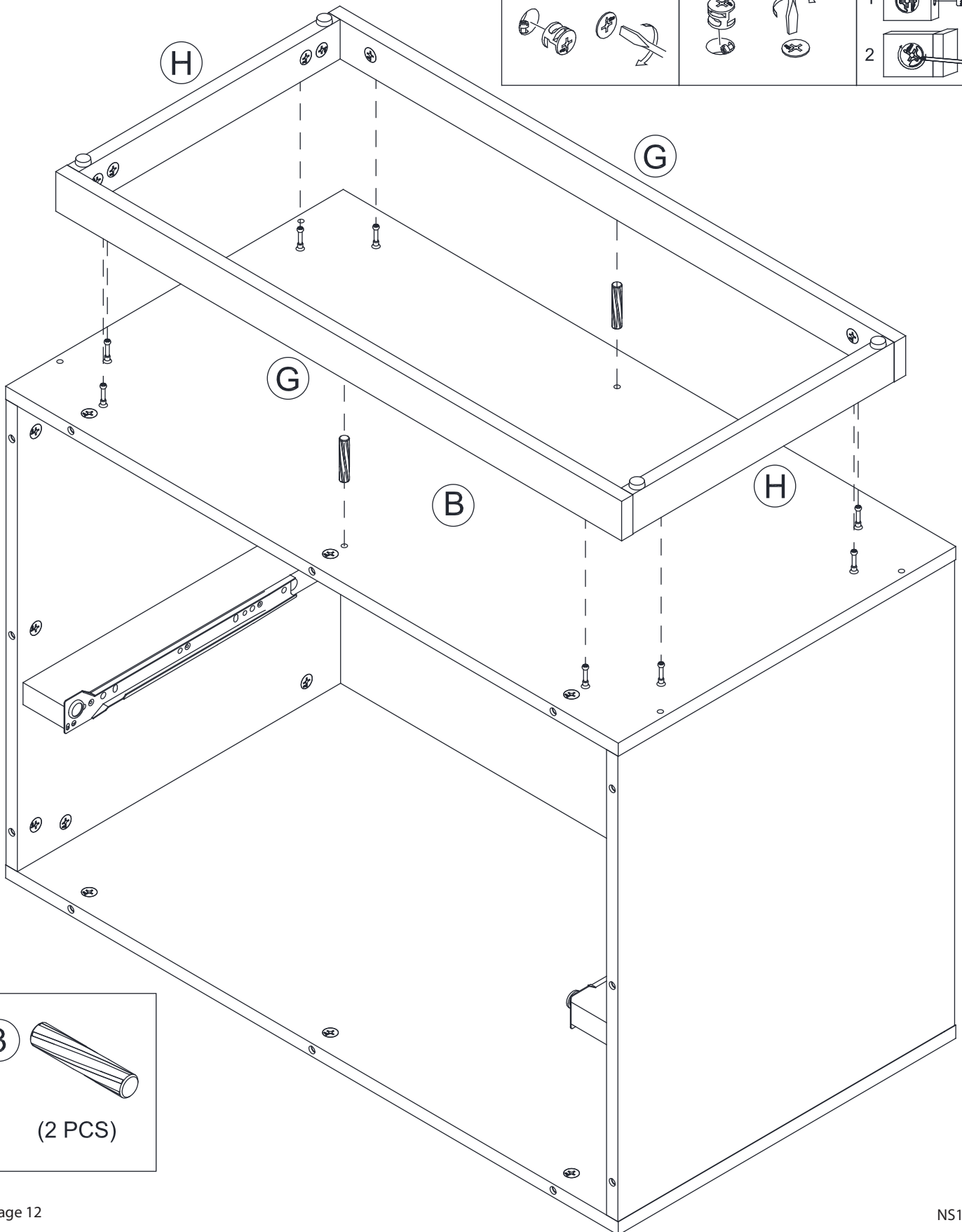
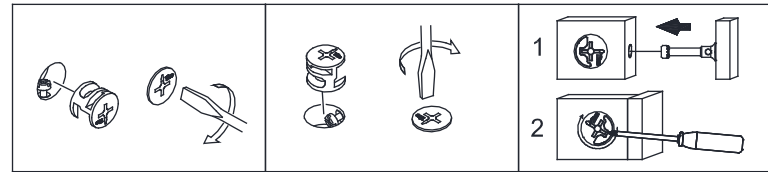
Step 6

- ◆ Using Hidden Cam (2), secure the Front and Back Plinth (G) to the Left and Right Plinth (H).



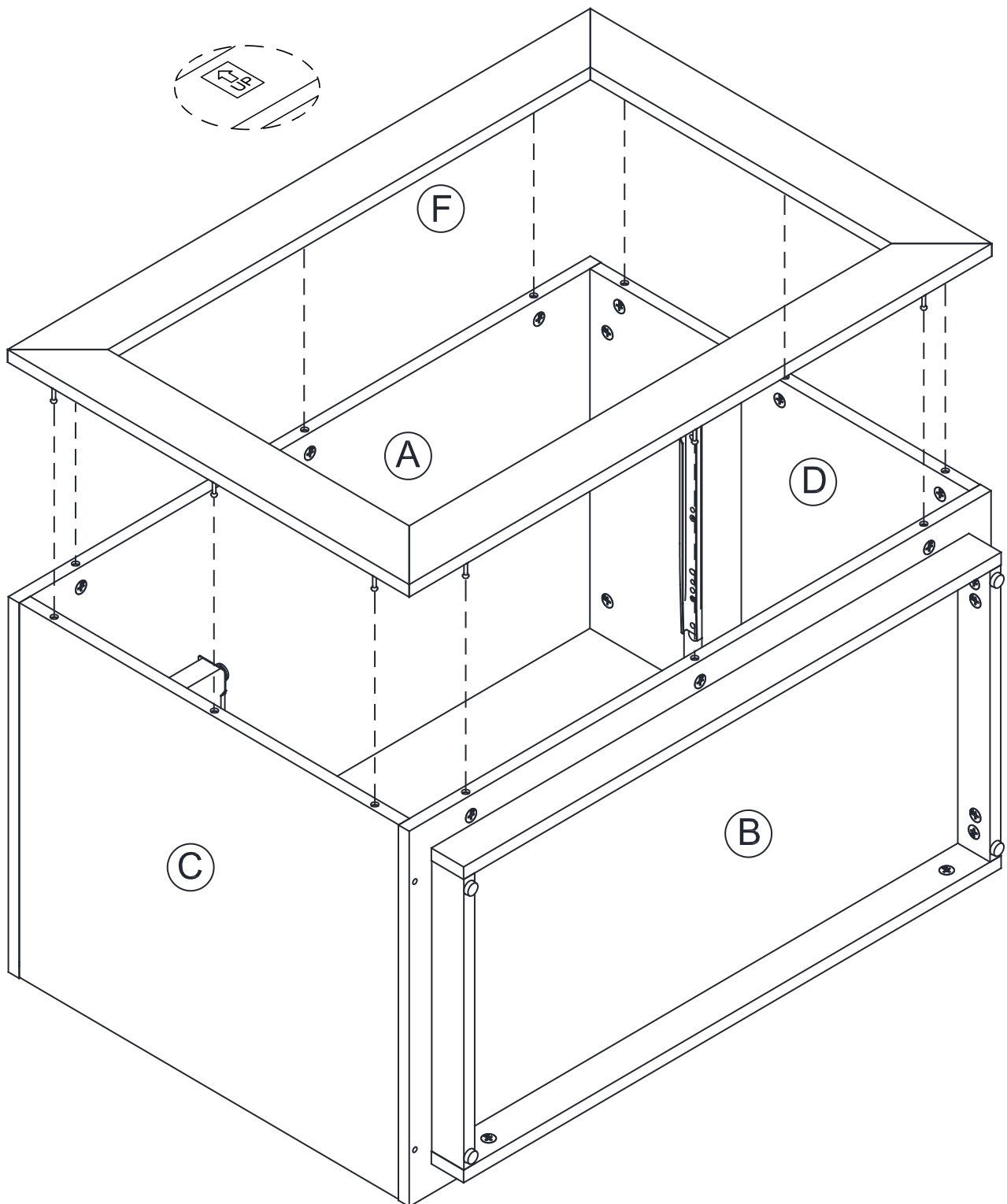
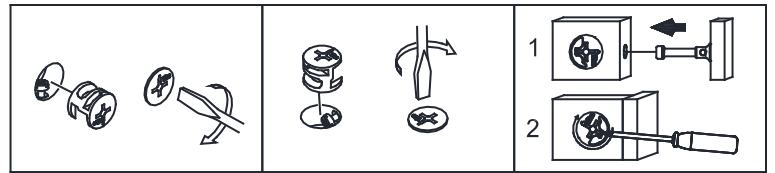
Step 7

- ◆ Using Wood Dowel (3) and Hidden Cam (2), secure the Front and Back Plinth (G) and the Left and Right Plinth (H) to the Bottom Panel (B).



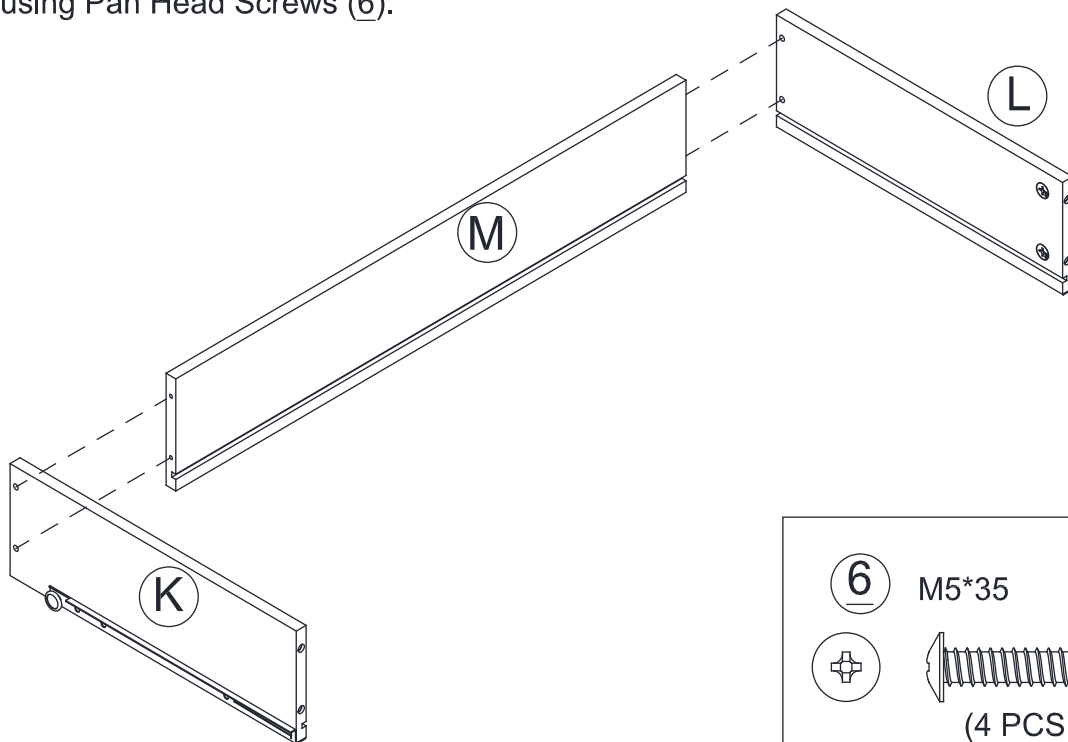
Step 8

- ◆ Using Hidden Cam (2), secure the Deco Frame (F) to Top Panel (A), the Bottom Panel (B) and the Left and Right Side Panel (C,D).

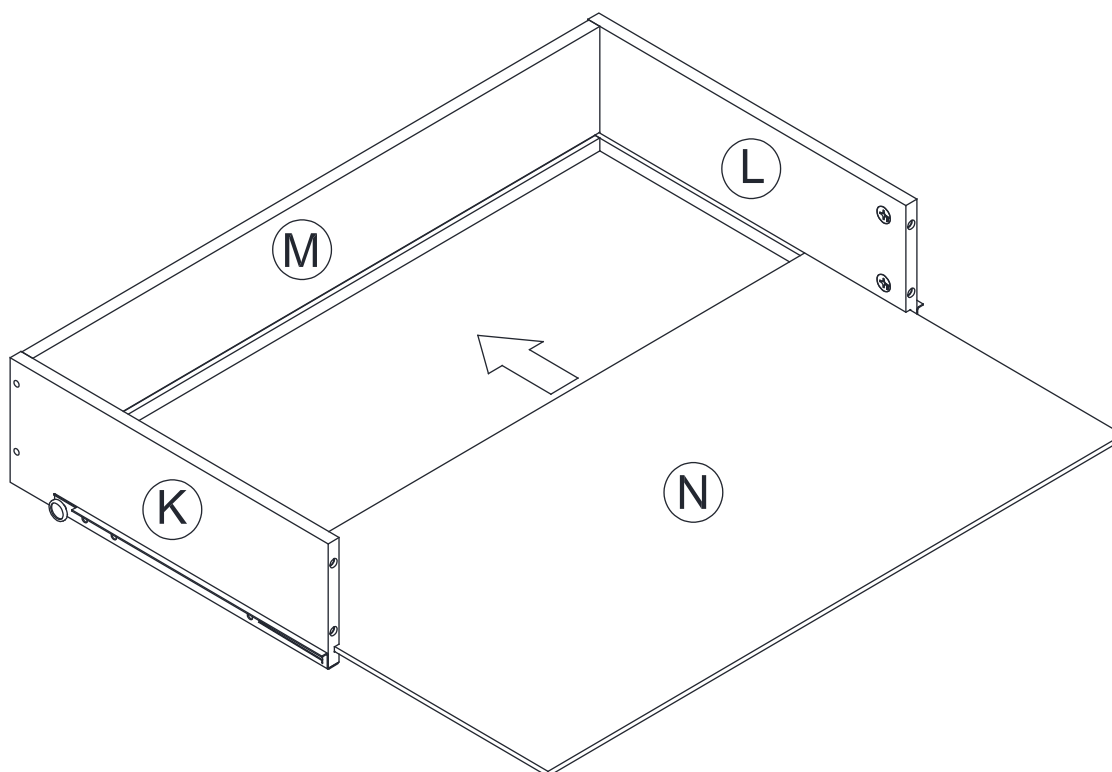


Step 9

- ◆ Fasten the Drawer Side Panel Left (K) and Drawer Side Panel Right (L) to the Drawer Back Panel (M) using Pan Head Screws (6).

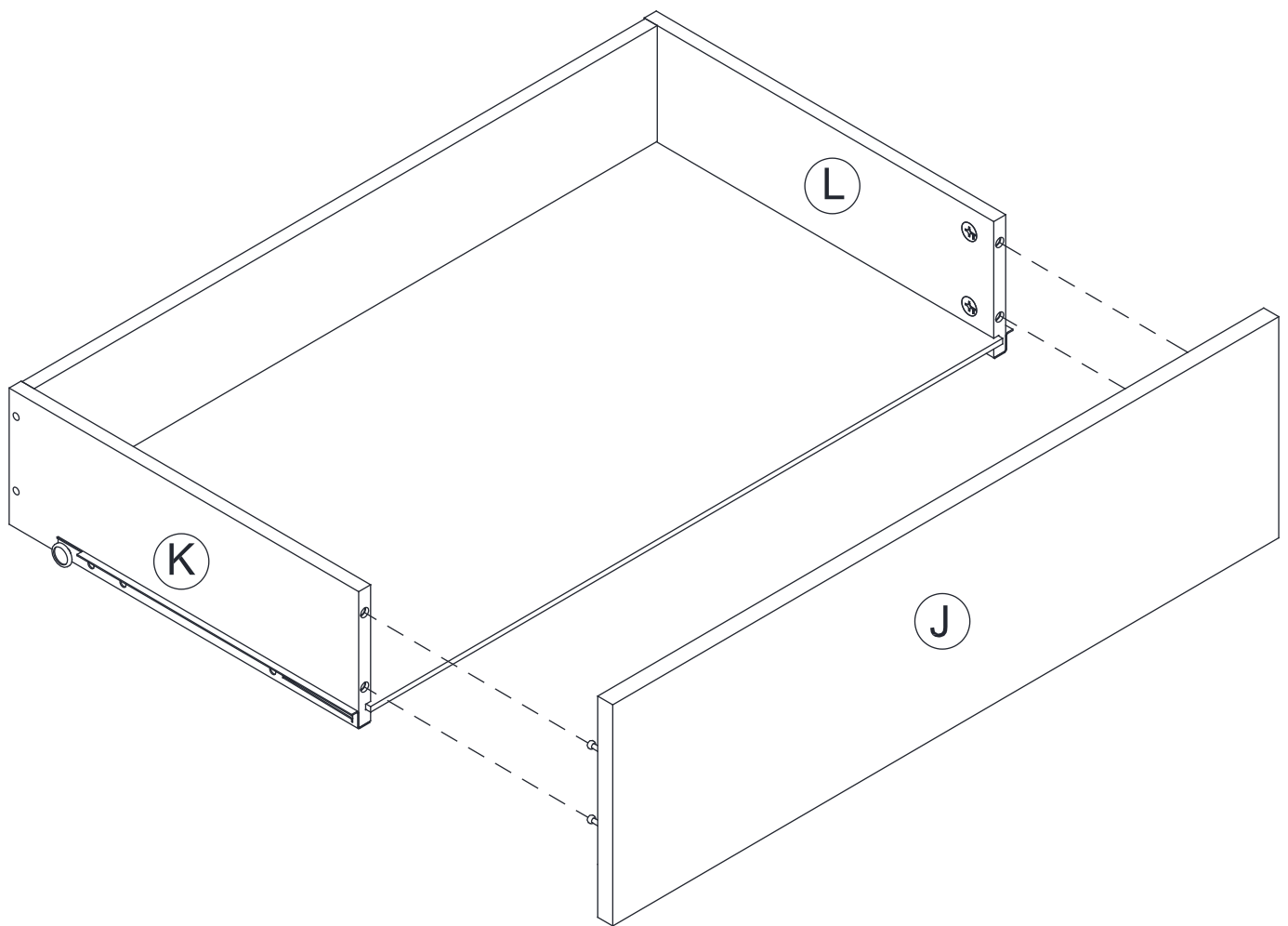
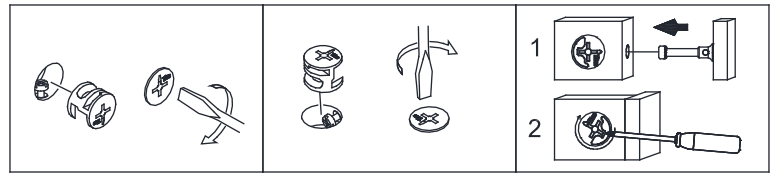


- ◆ Slide the Drawer Bottom Panel (N) into the grooves of the Drawer Side Panel Left and Right (K, L) and the Drawer Back Panel (M).



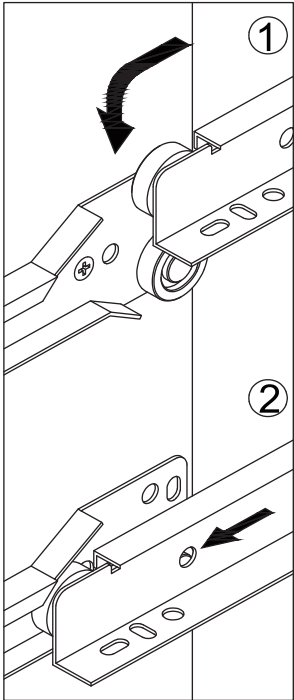
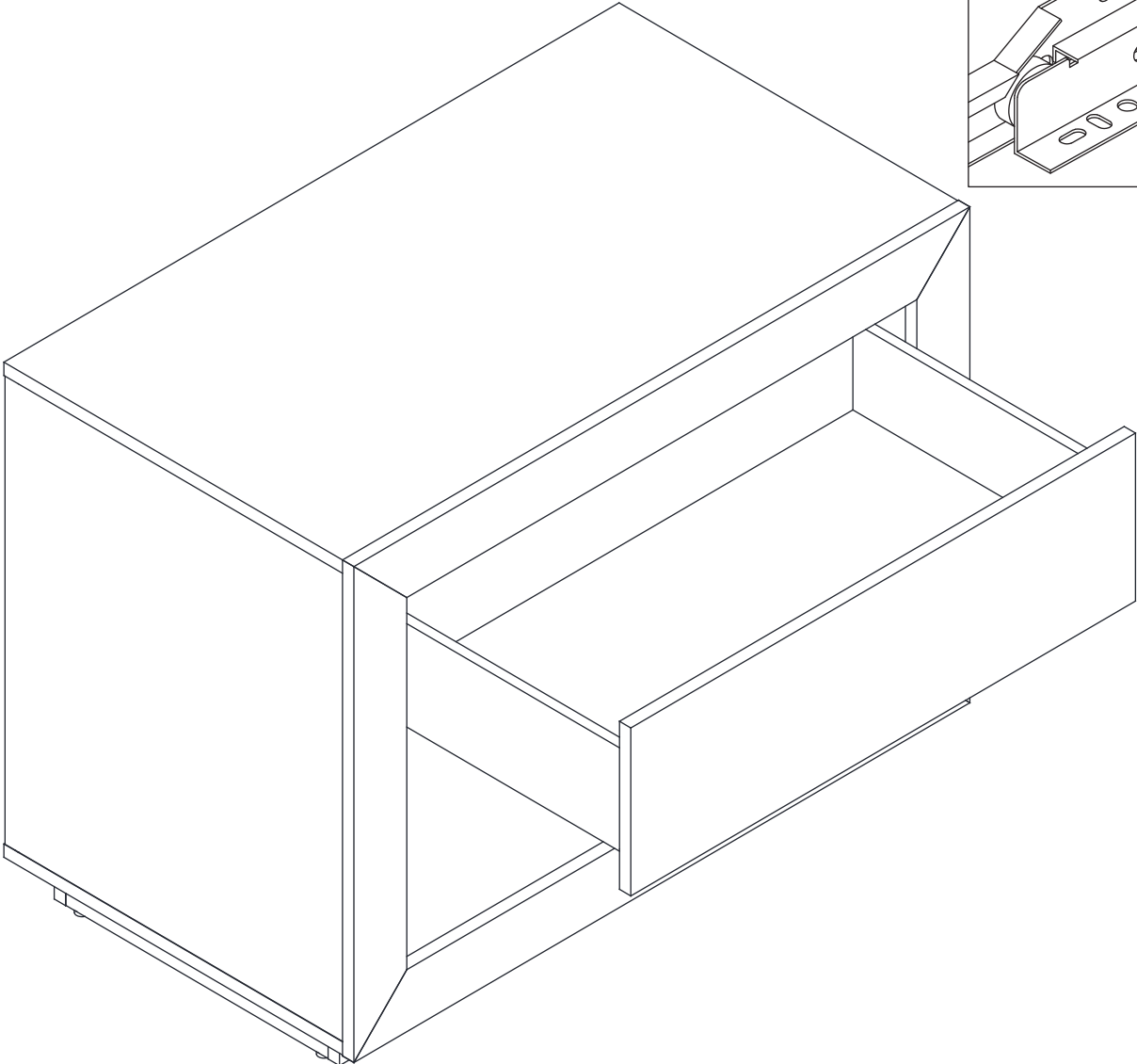
Step 10

- ◆ Using Hidden Cam (2), secure the Drawer Front Panel (J) to the Drawer Side Panel Left and Right (K, L)



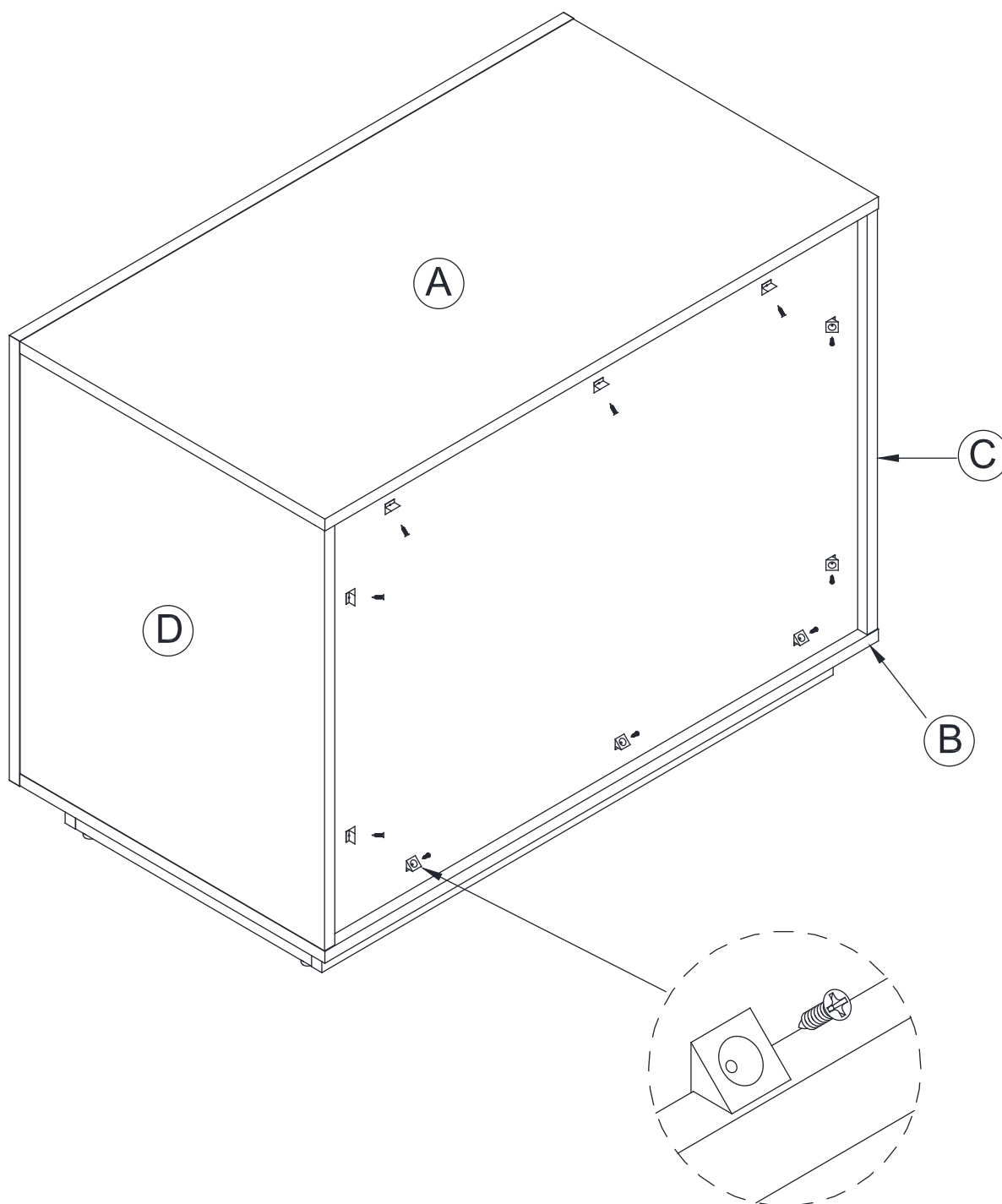
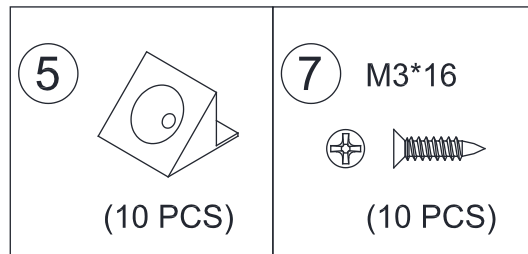
Step 11

◆ Insert the drawer into the cabinet.



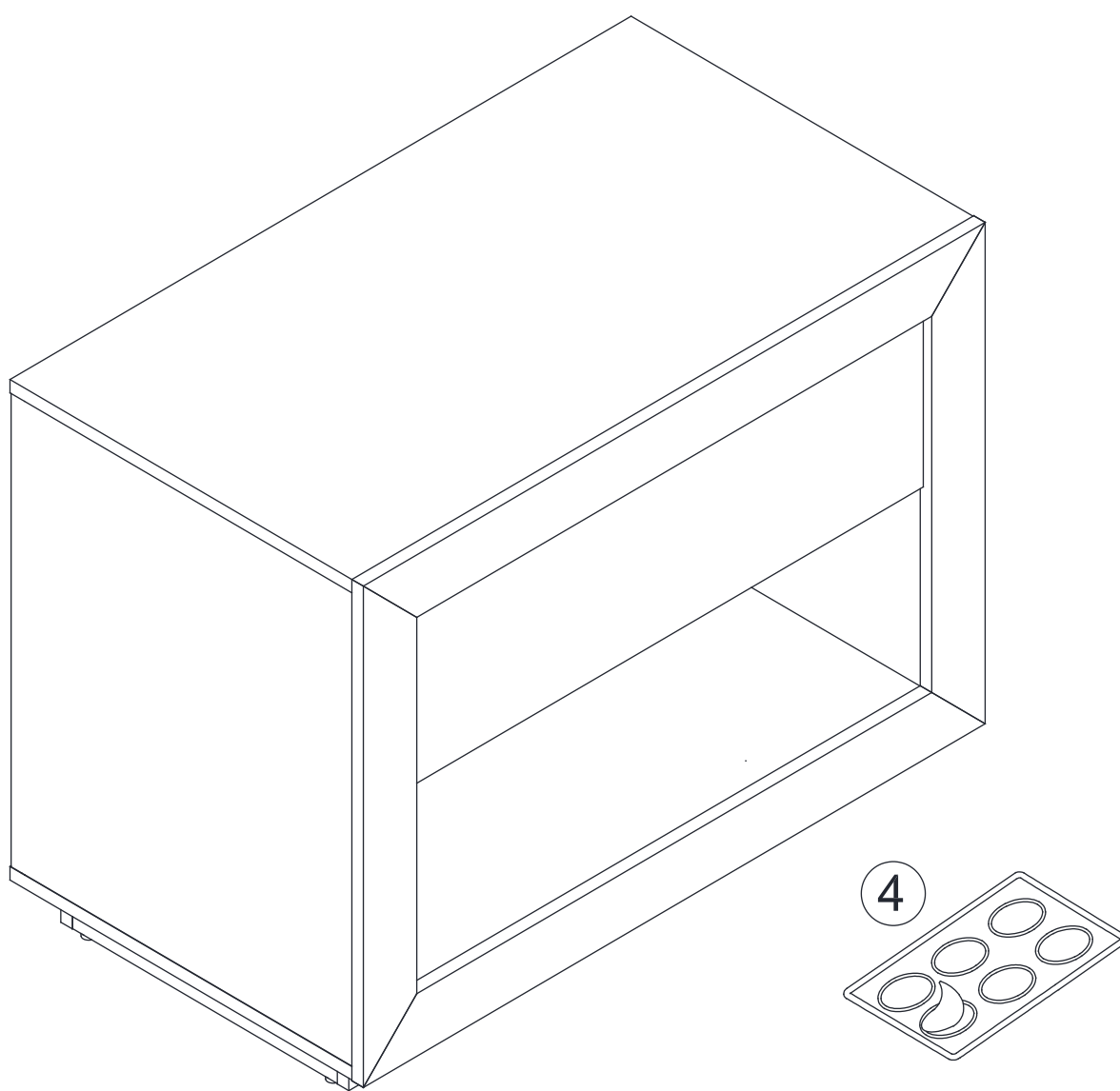
Step 12

- ◆ Insert the Back Panel Clips (5) into the gaps between the Top Panel (A), the Bottom panel (B), and the Left and Right Side Panel (C, D) of the Back Panel (E), then secure them with Flat Head Screws (7).



Step 13

- ◆ Peel off the Applique Card (4) and apply them to each visible Hidden Cam (2).





MANHATTAN COMFORT

WARRANTY POLICY

All Manhattan Comfort furniture products are warranted, to the original purchaser at the time of purchase and for a period of 30 days thereafter.

Our warranty is limited to new products purchased in factory sealed cartons. This warranty is valid in the United States of America and Canada.

In order to provide you with timely assistance, please thoroughly inspect your furniture for missing or defective parts immediately after opening the carton.

Manhattan Comfort offers a 30-day parts replacement warranty on all items.

Our furniture products are not intended for outdoor use.

THE WARRANTY DOES NOT COVER:

- Defects/damages by improper assembly or disassembly.
- Defects/damages caused by shipping. Claims for damage during transit should be placed immediately to the transportation company.
- Defects/damages caused by inappropriate use of the furniture.



319 Ridge Rd. Dayton, NJ 08810

908-888-0818