

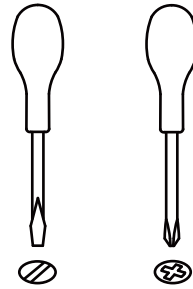
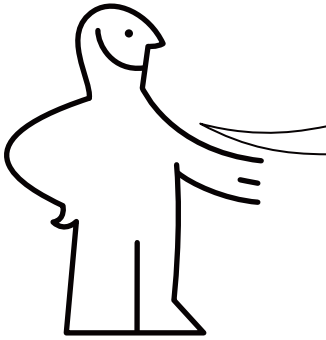
# ASSEMBLY INSTRUCTIONS

## 3 DRAWERS

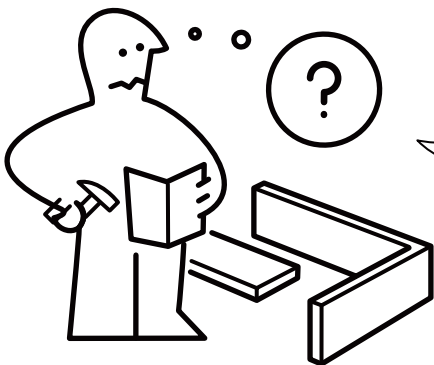
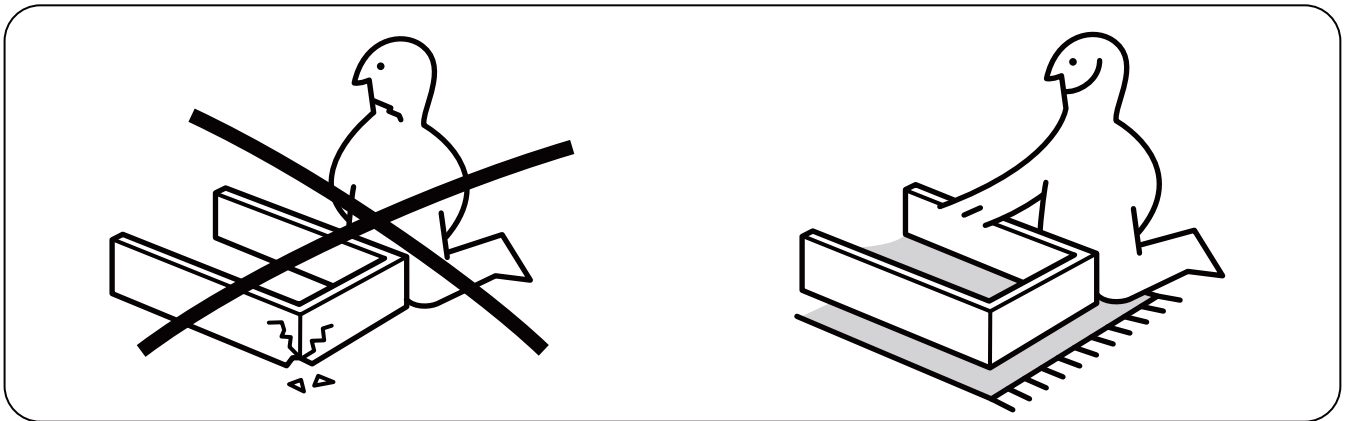
---



## Tools Required For Assembly

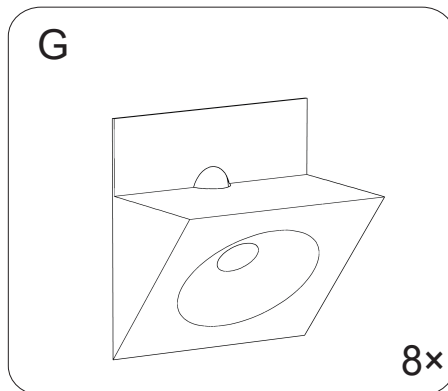
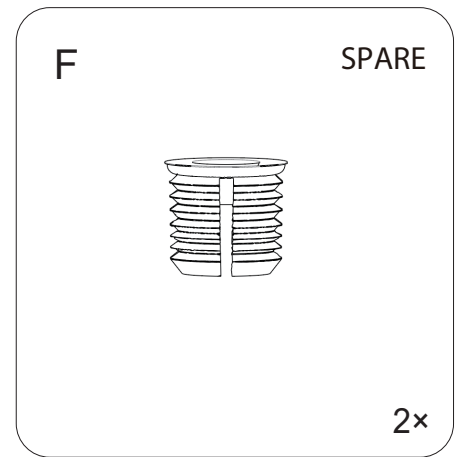
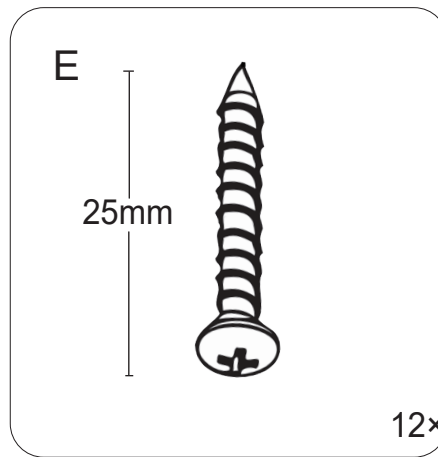
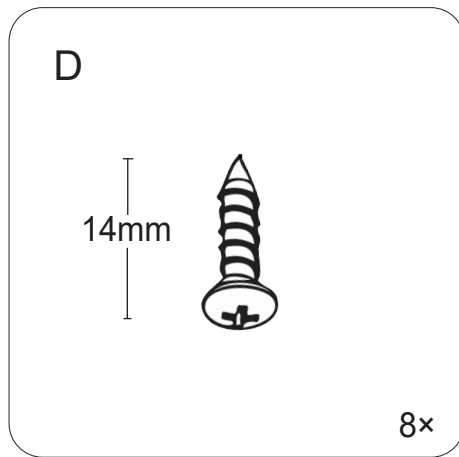
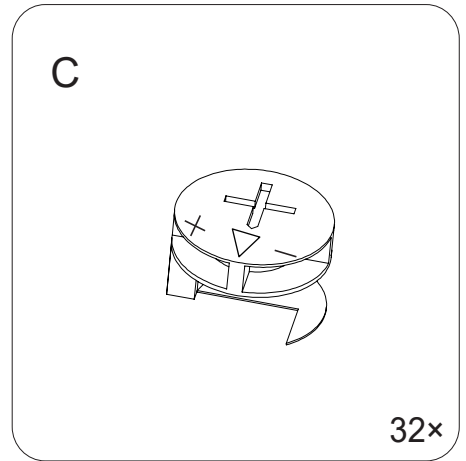
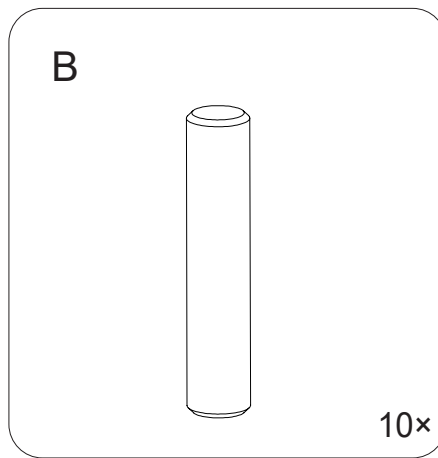
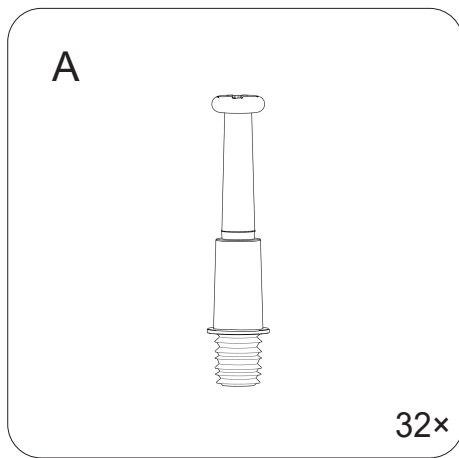


## Assemble Item On a Clean Flat Surface



If there are any product quality problems or you encounter difficulties during installation, please contact us. We will do our utmost to solve the problems for you.

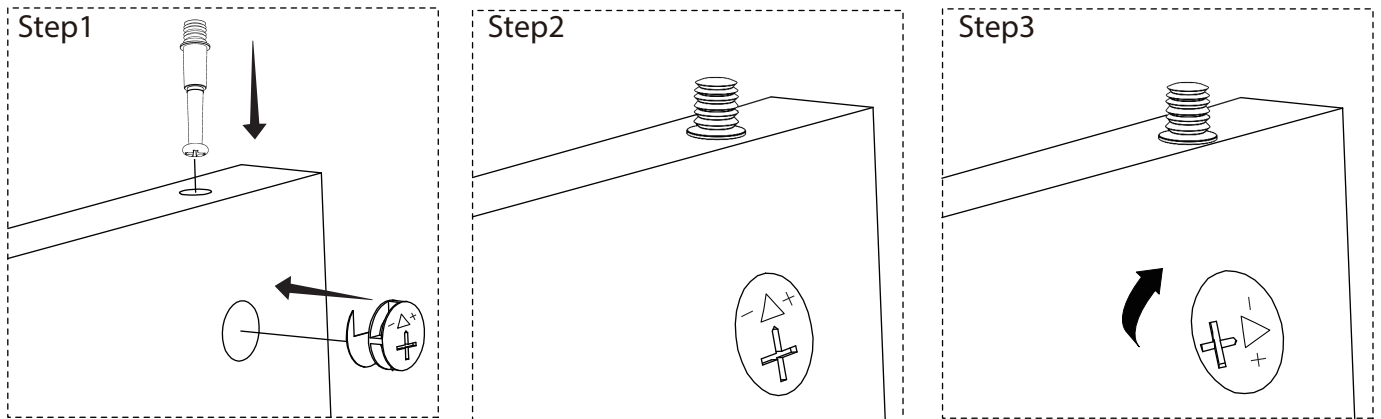
# PARTS:



## USEFUL HINTS BEFORE YOU START:

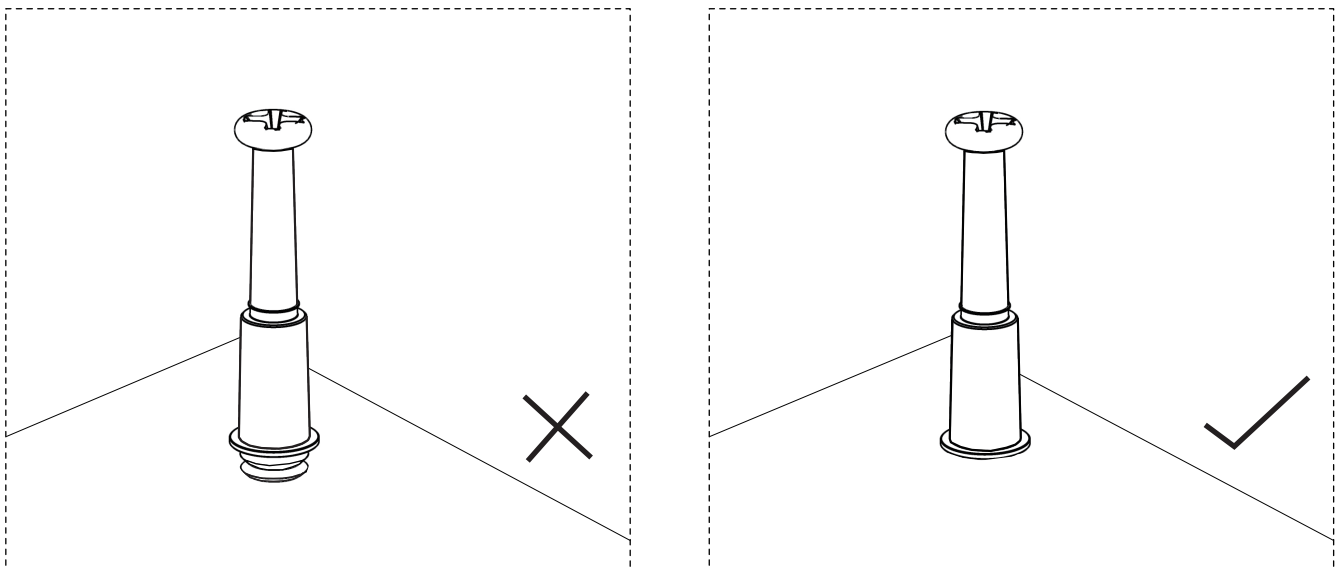
1. Read each step carefully before starting.
2. It is important that each step is performed in correct order to avoid difficulties.
3. Identify, soft and count the parts before assembly.
4. Assemble your furniture on packaging cardboard to prevent scratch or damage.
5. Clean the product with mild cleanser using soft damped cloth. Do not use harsh or abrasive cleanser.
6. Using incompatible hardware might cause damage to product.
7. If there are any missing parts, please send us an email and we will send them to you.

# REMARK:



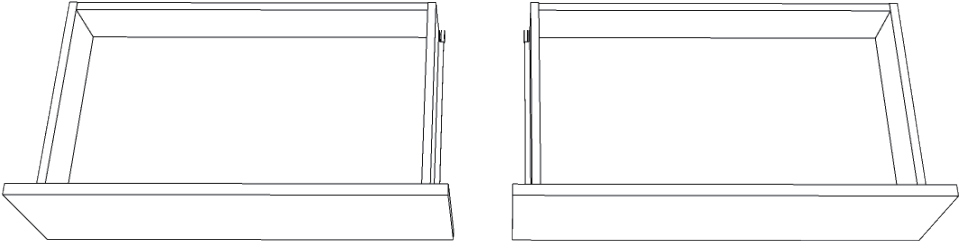
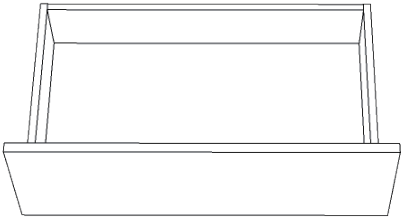
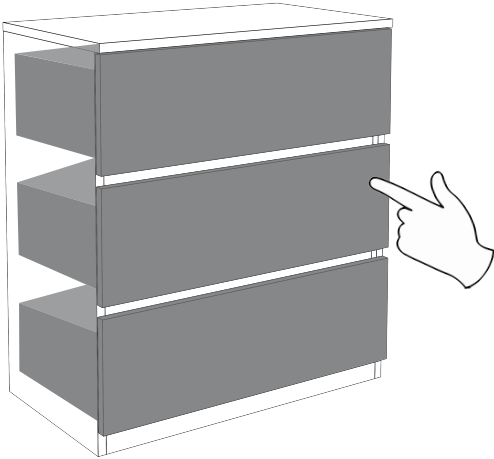
**Locking:** Use a tool to turn the cam locknut clockwise. When it won't turn anymore, it's locked.

**Unlocking:** Use a tool to turn the cam locknut counterclockwise about 90 degrees. When the arrow points toward the cam screw, you can remove the cam screw.

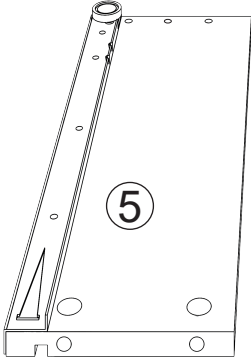


**NOTE:** The threaded part of the cam screw must be fully embedded in the panel; otherwise, there will be a gap between the two panels at the joint.

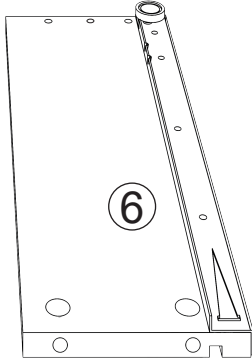
# DRAWER



3x



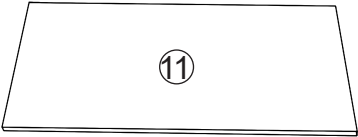
3x



3x

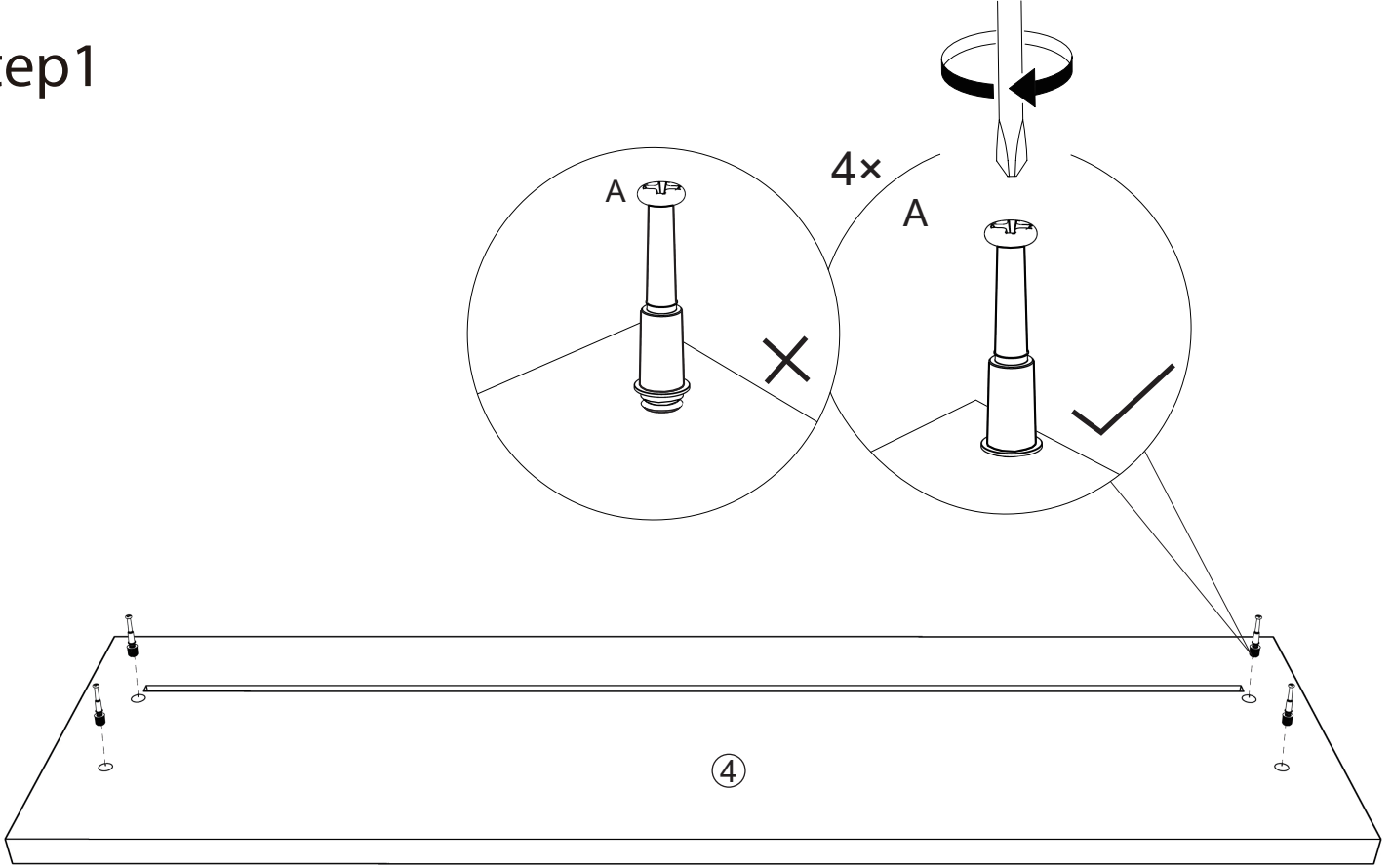


3x



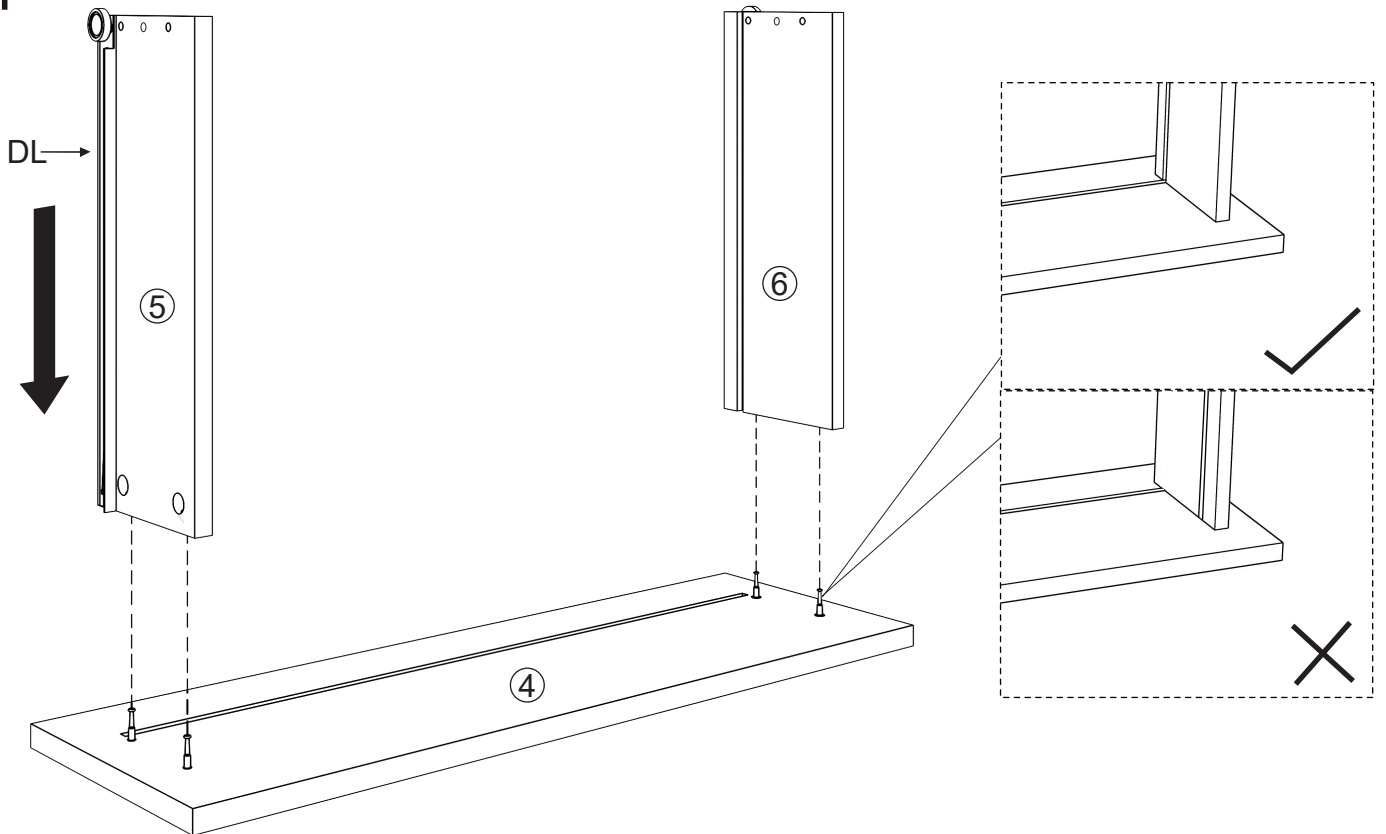
3x

# Step1



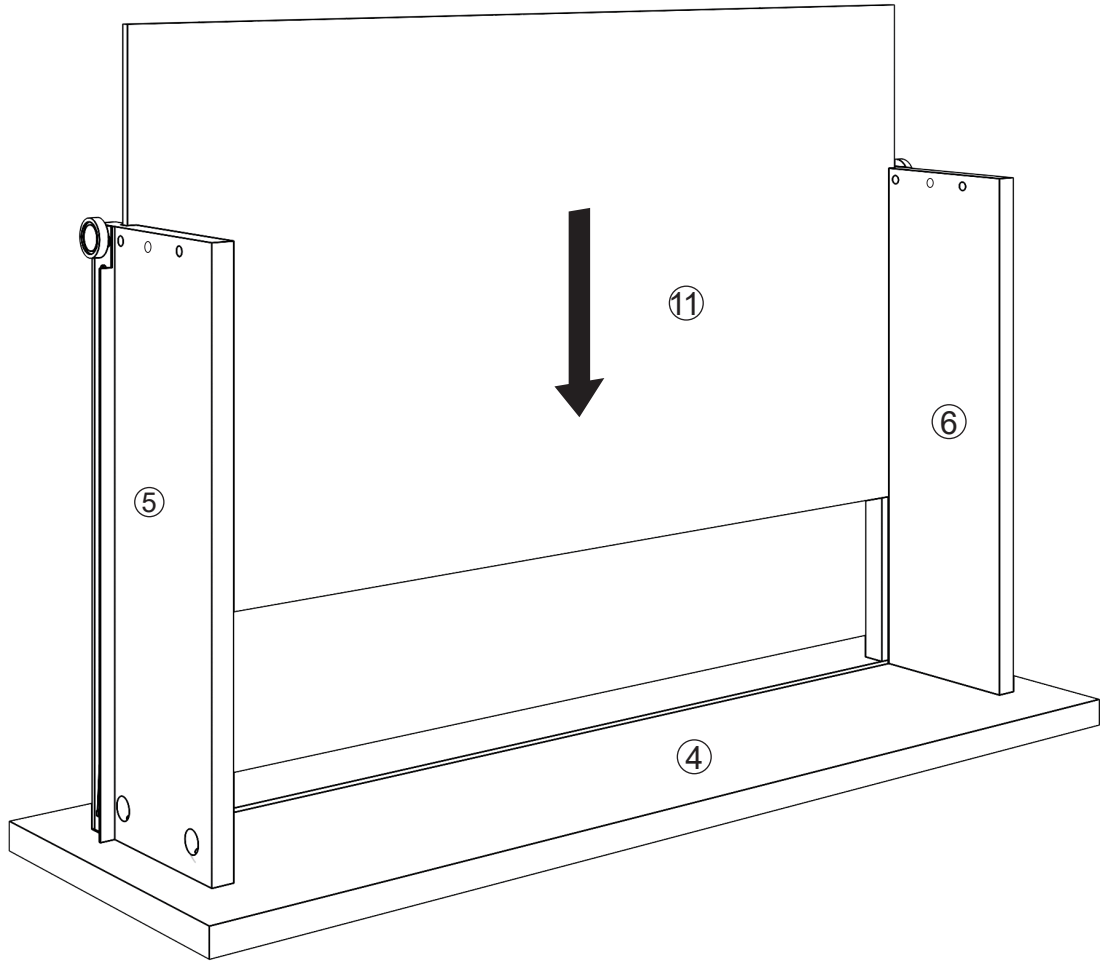
NOTE: Use tools to install Part A onto the panel, making sure all threads of Part A are fully inserted into the holes of the panel.

# Step2

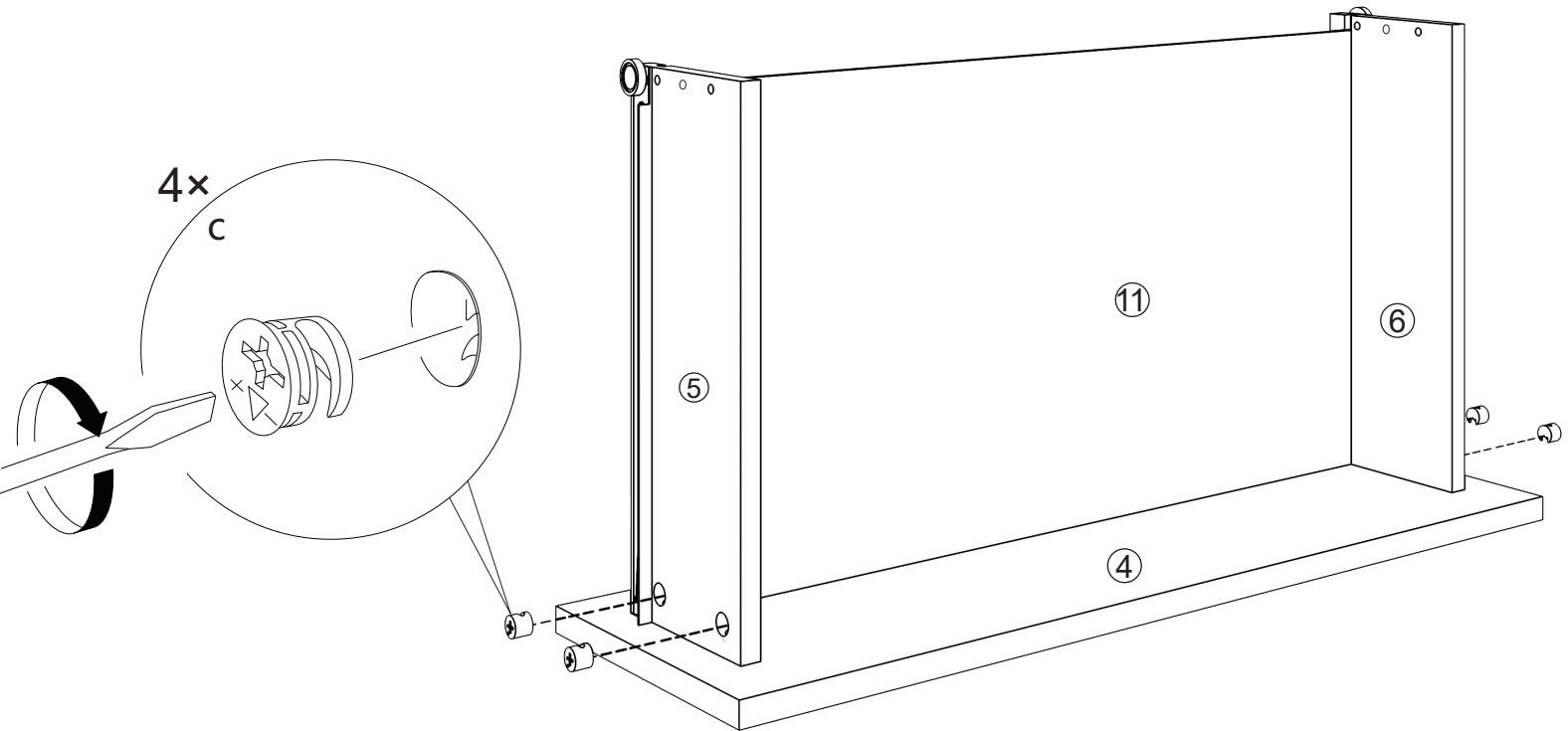


NOTE: Panel No. 5 is the left-side panel of the drawer, and the track has the letters DL printed on it. Panel No. 6 is the right-side panel, with the track marked with DR.

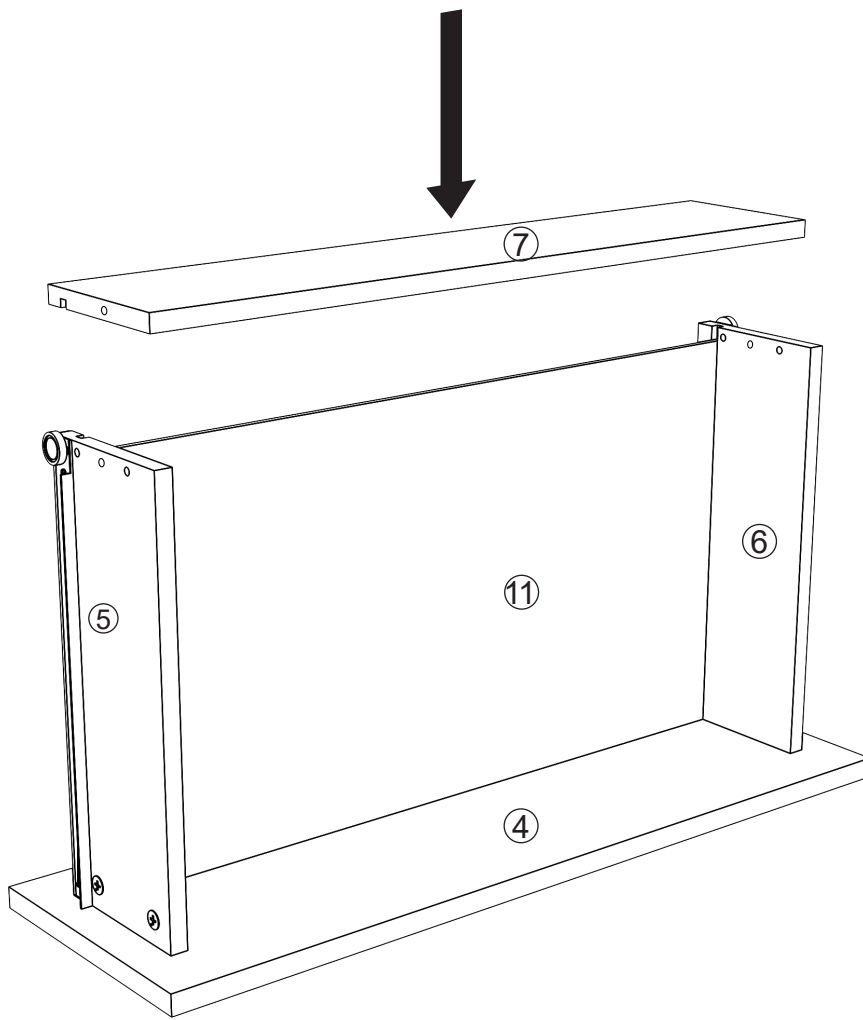
# Step3



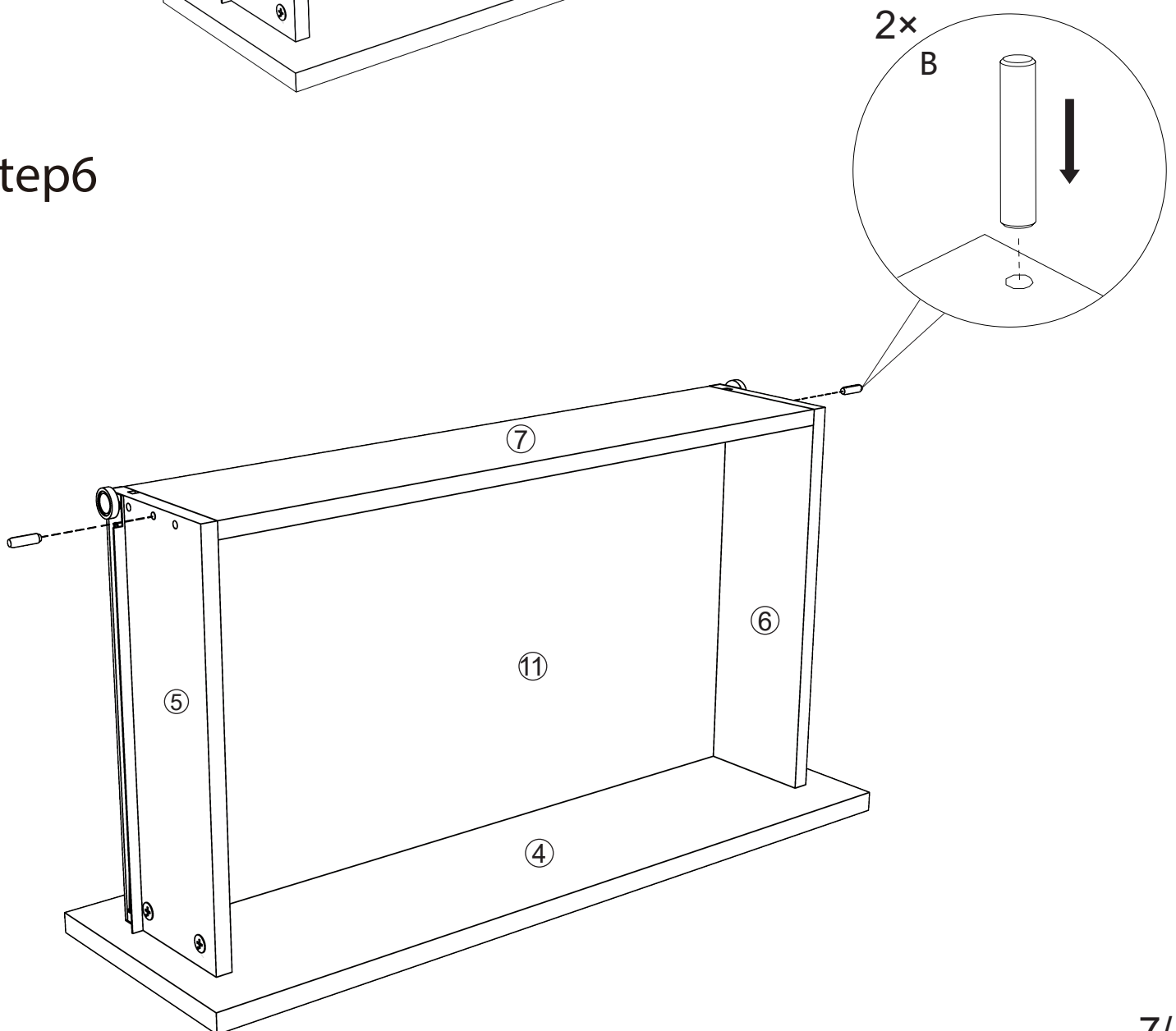
# Step4



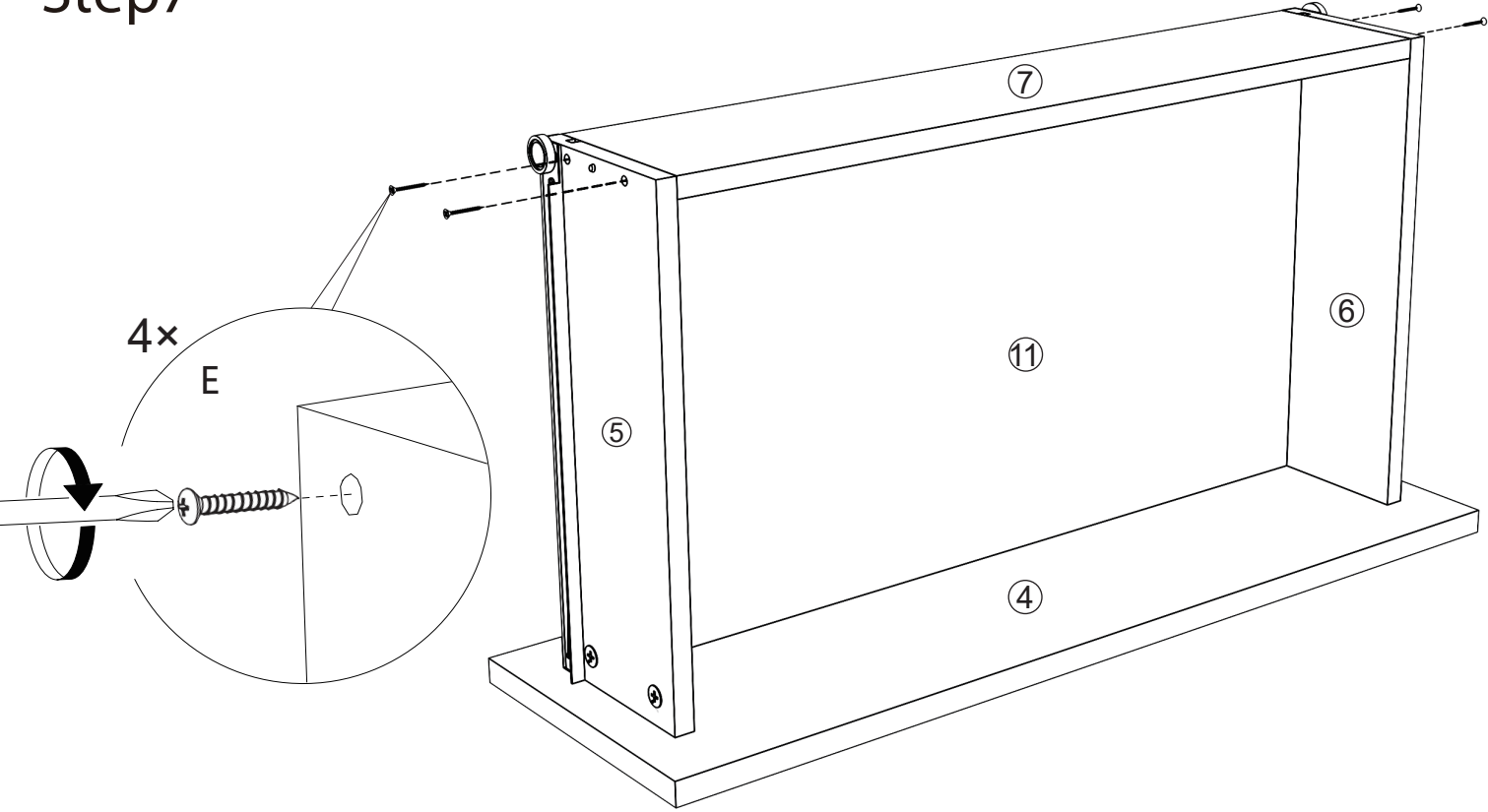
# Step5



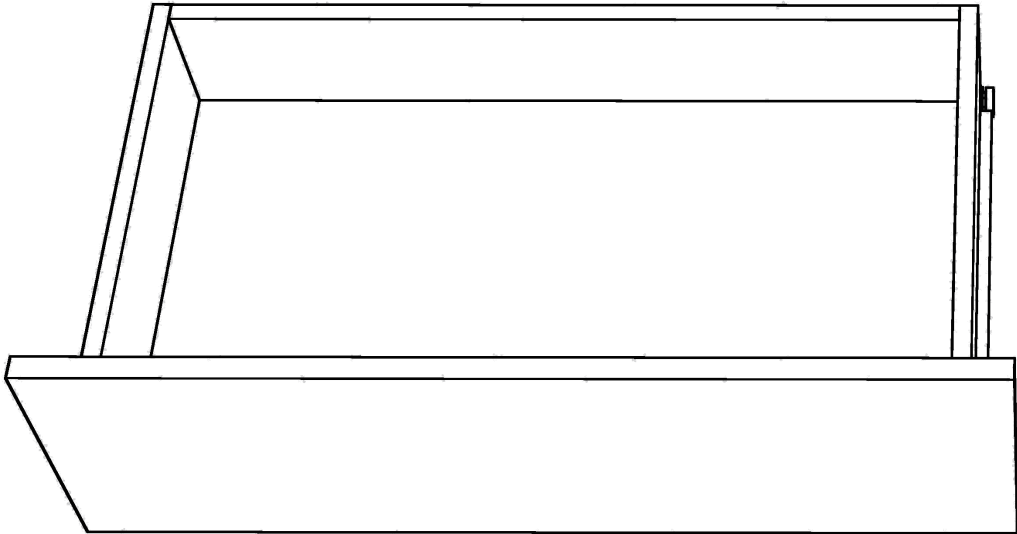
# Step6



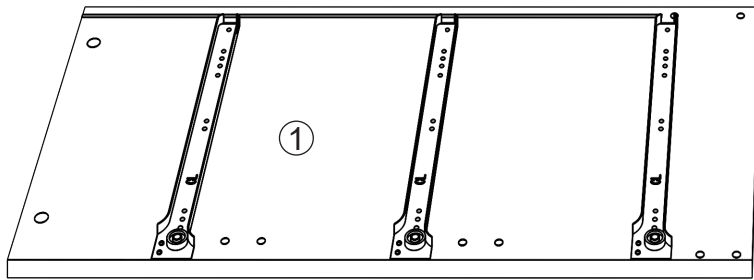
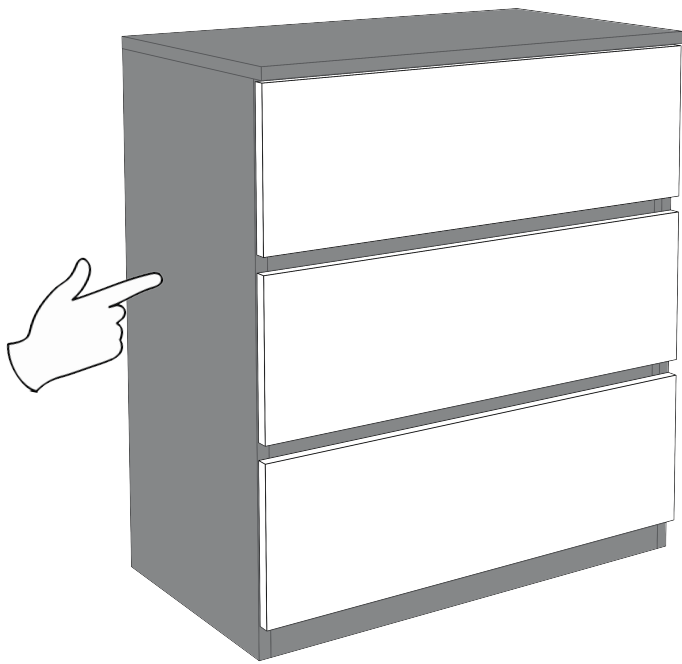
# Step7



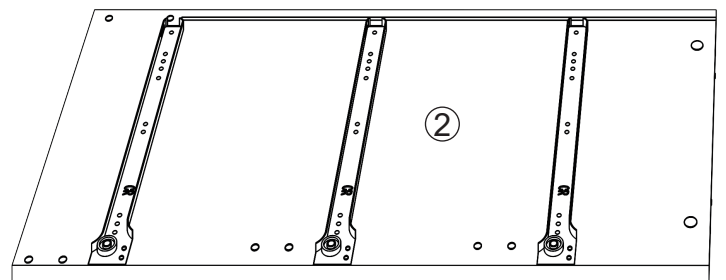
# Step8



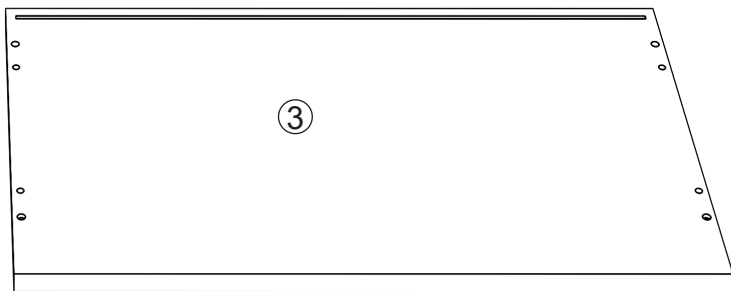
# CABINET



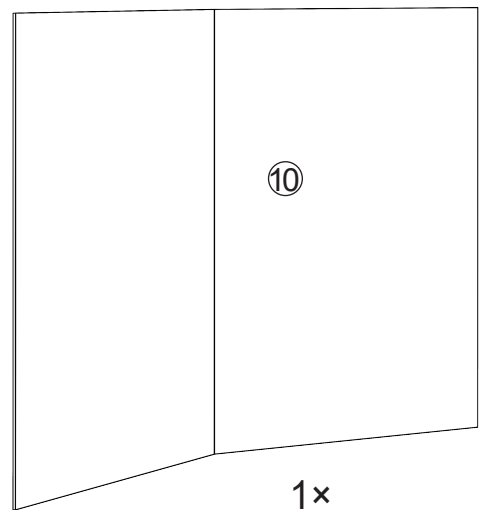
1x



1x



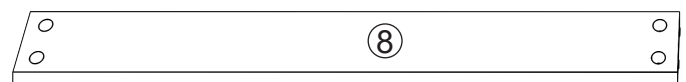
1x



1x

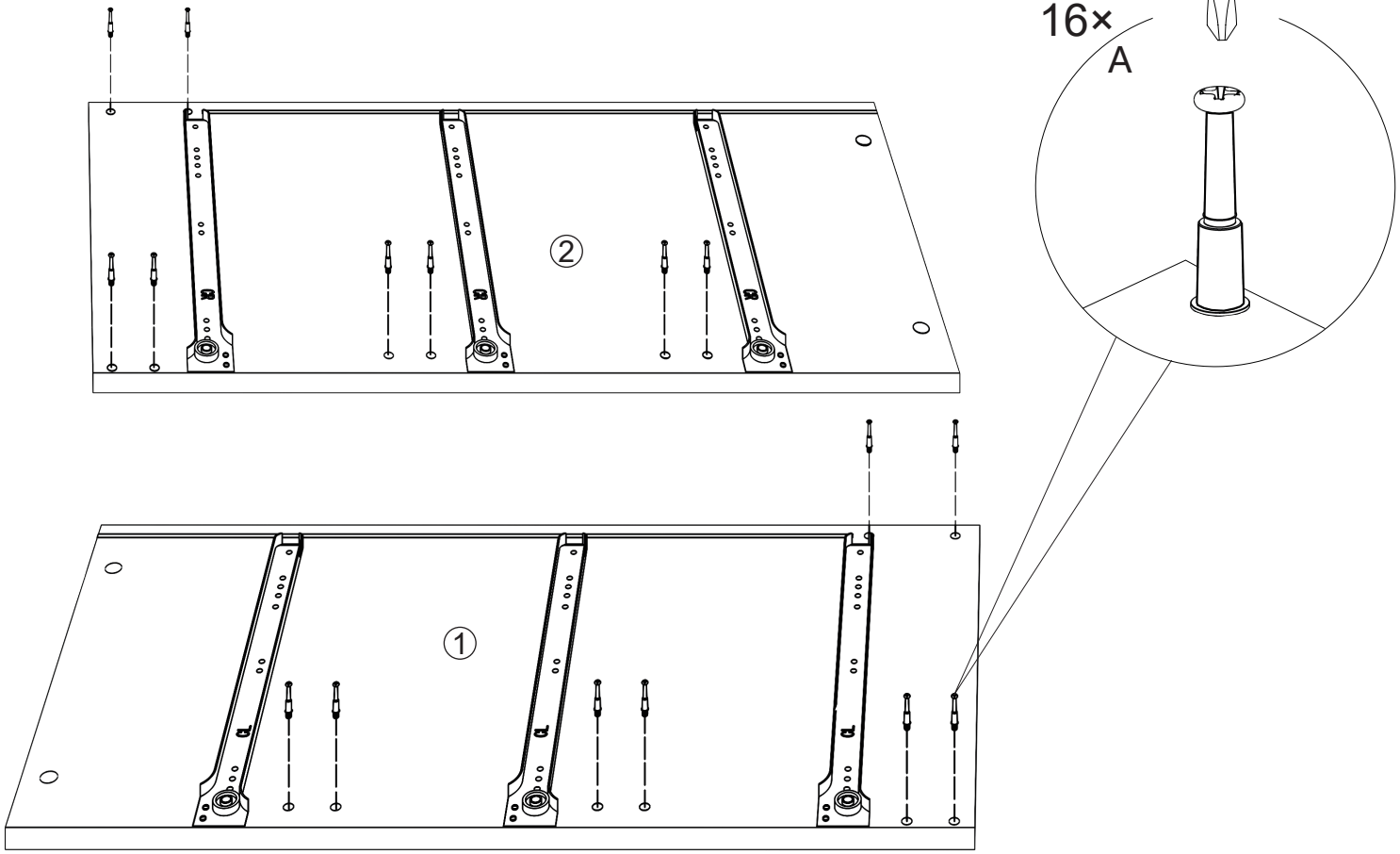


1x

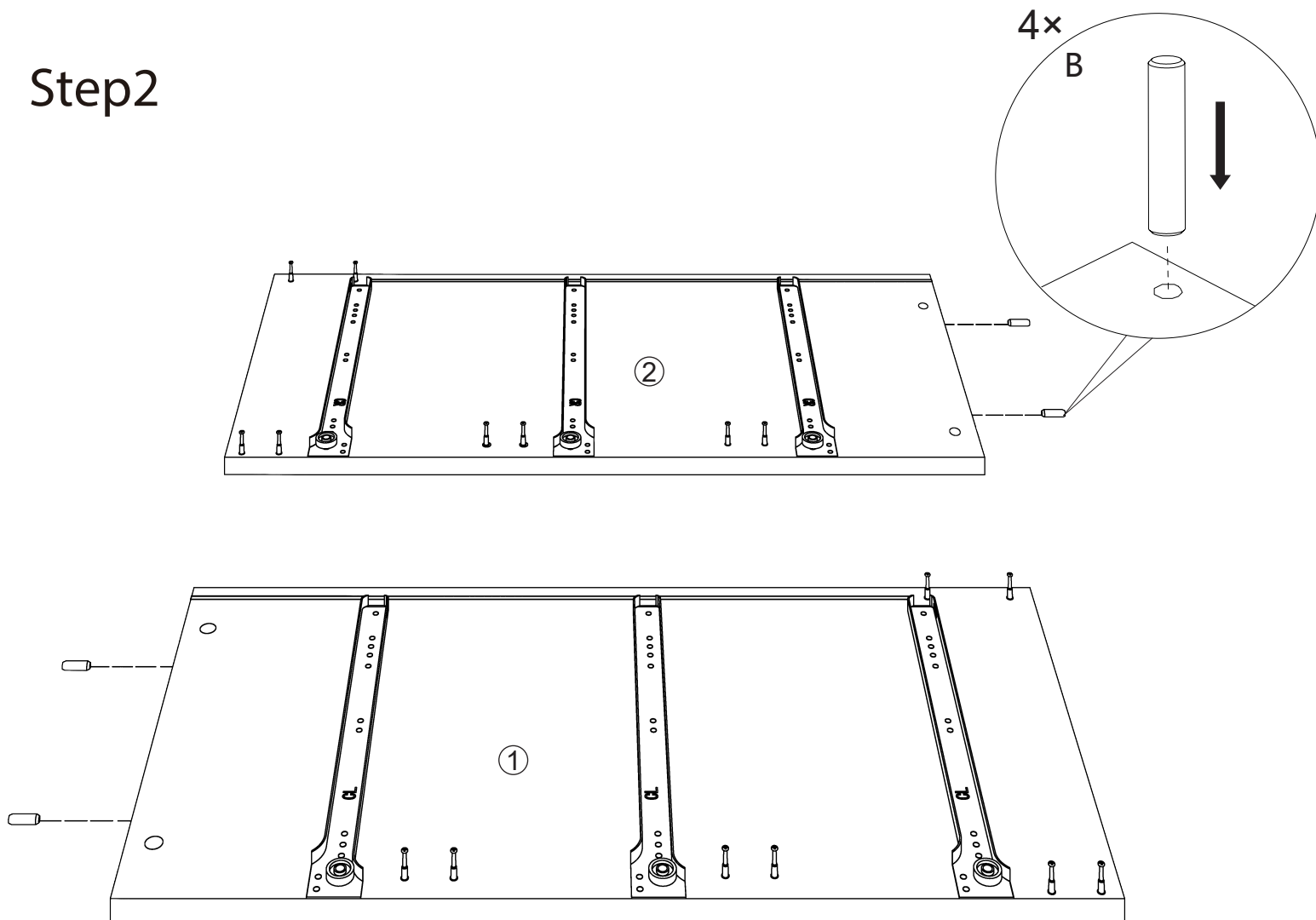


3x

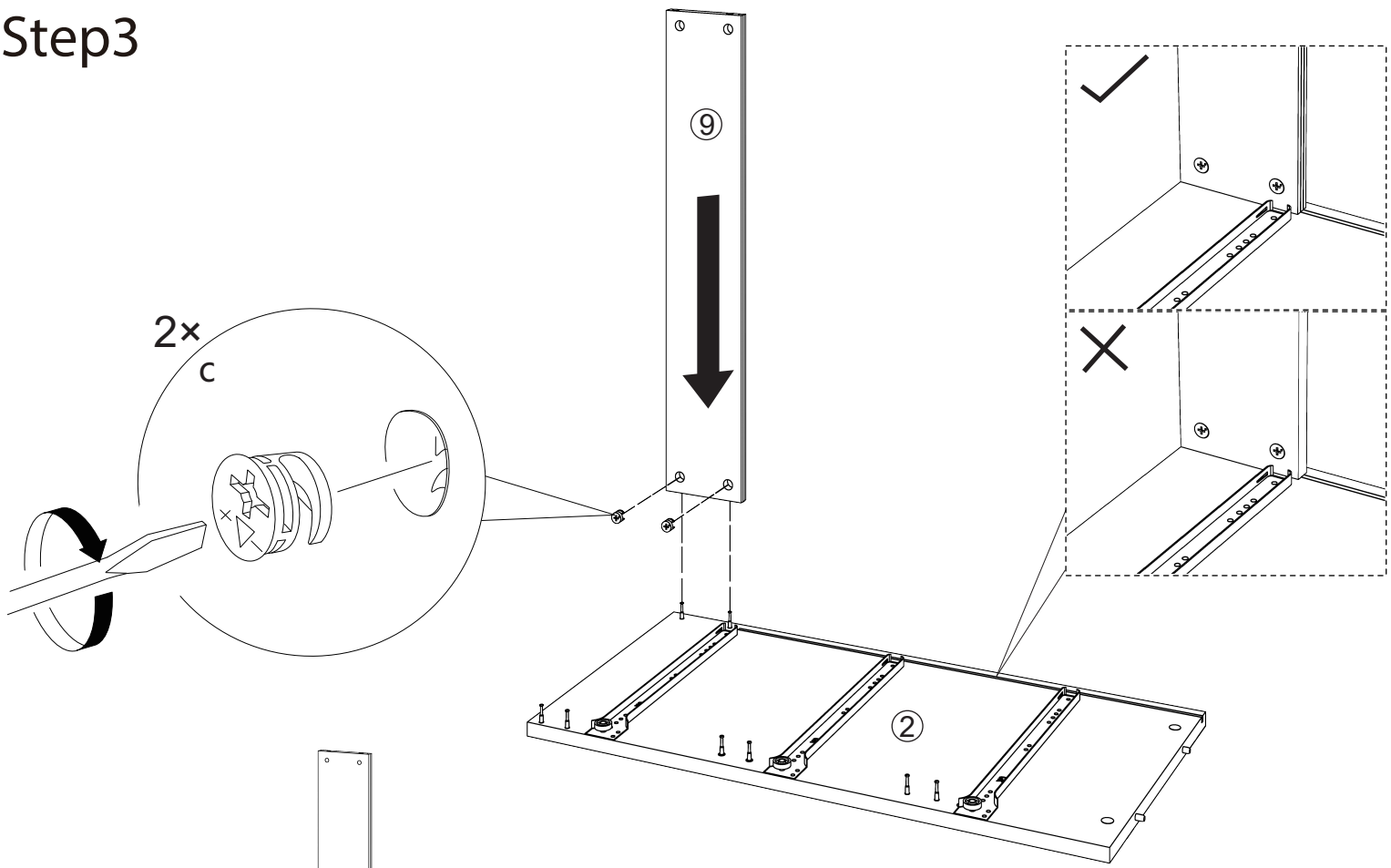
# Step1



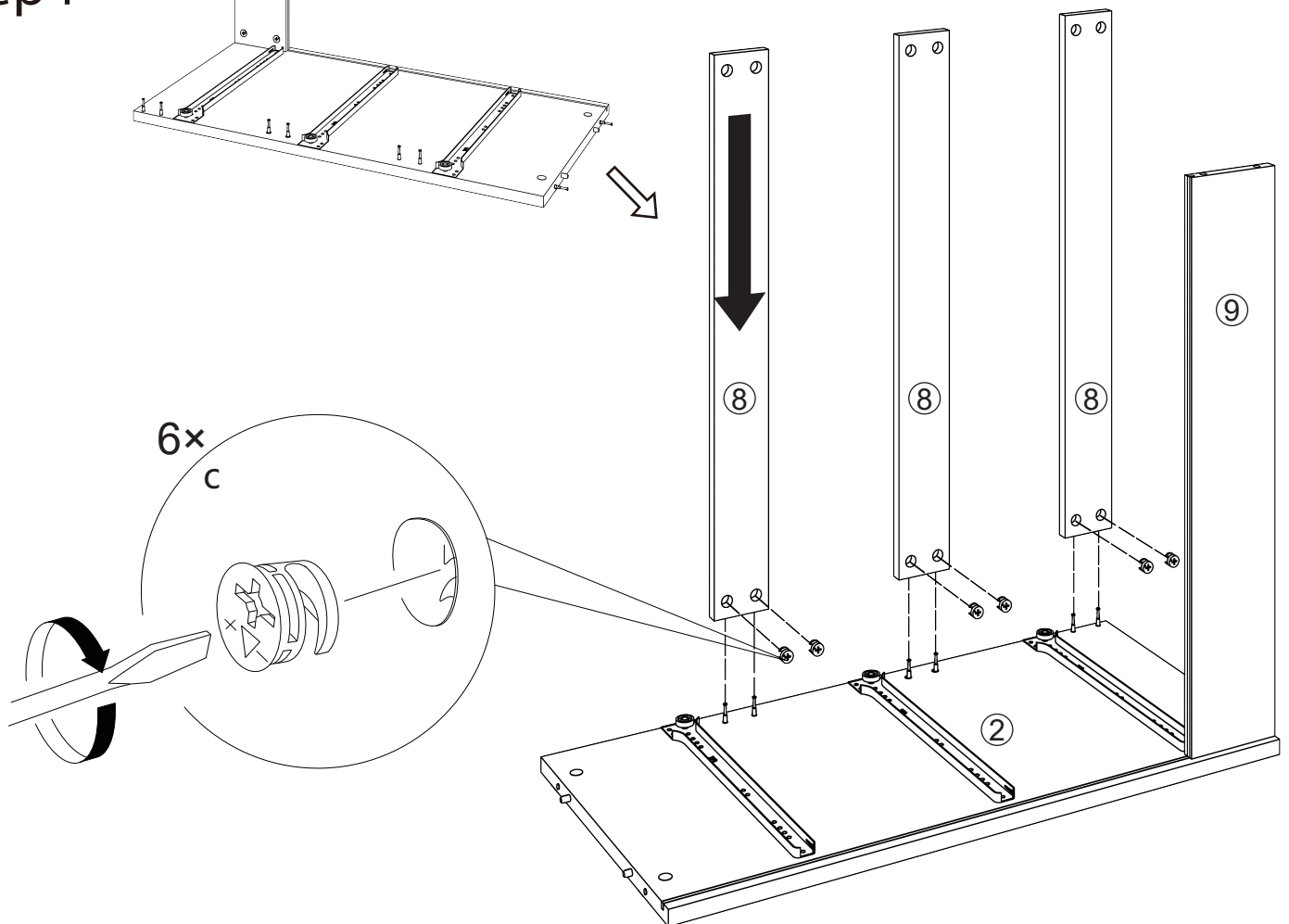
# Step2



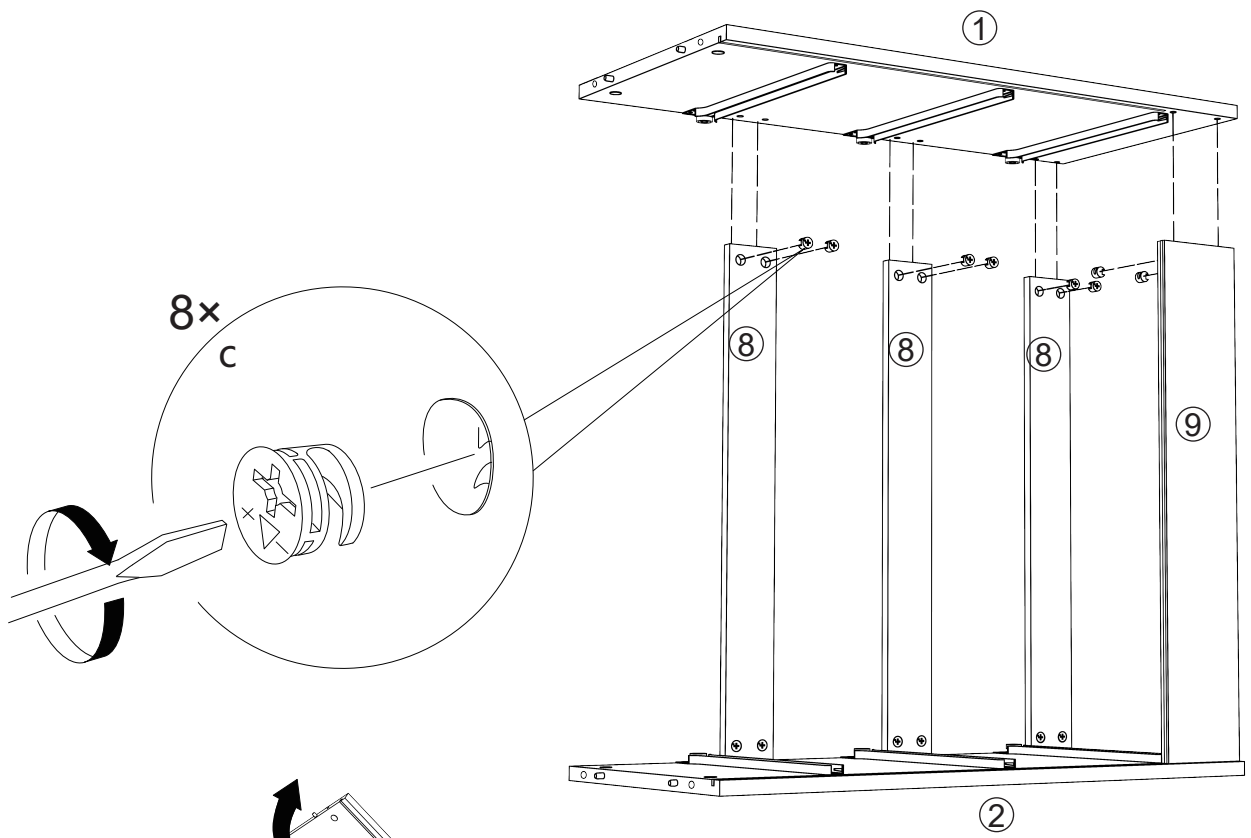
# Step3



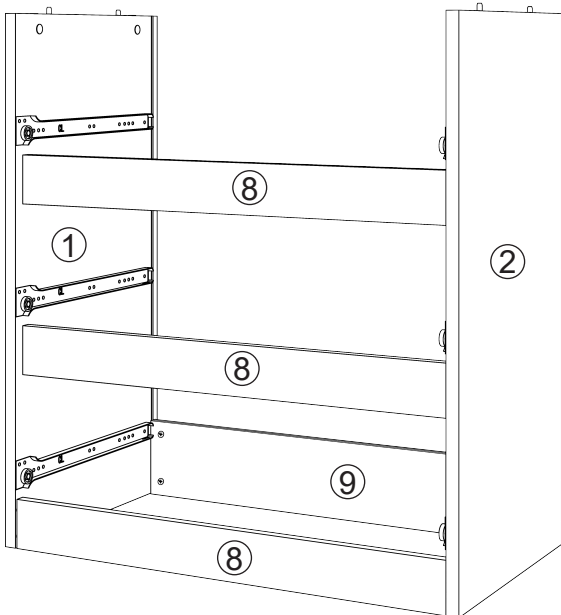
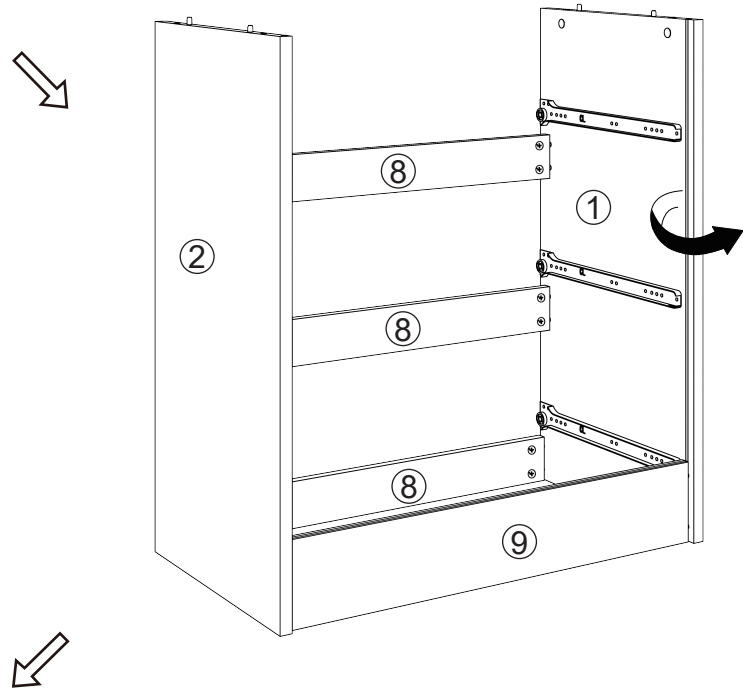
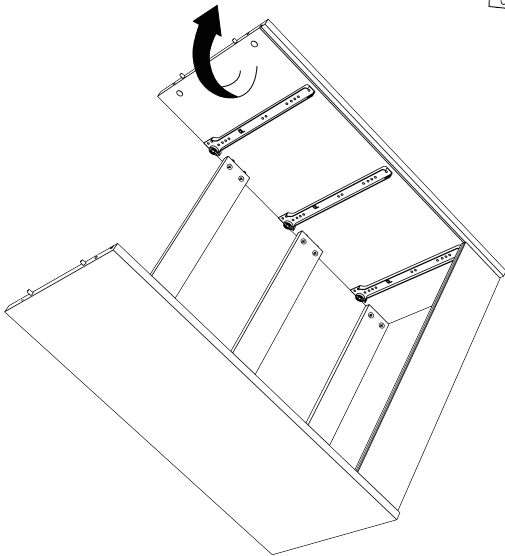
# Step4



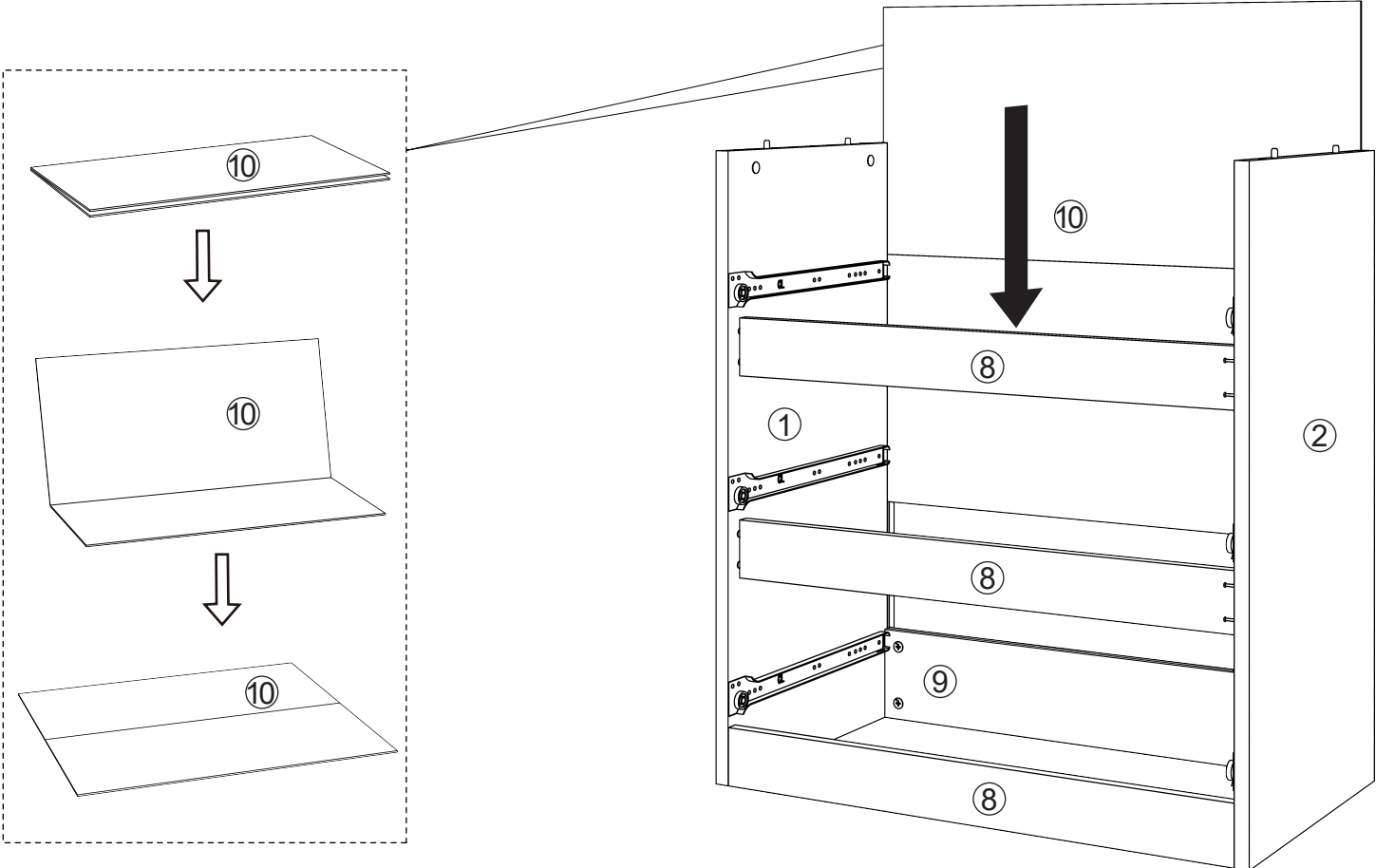
# Step 5



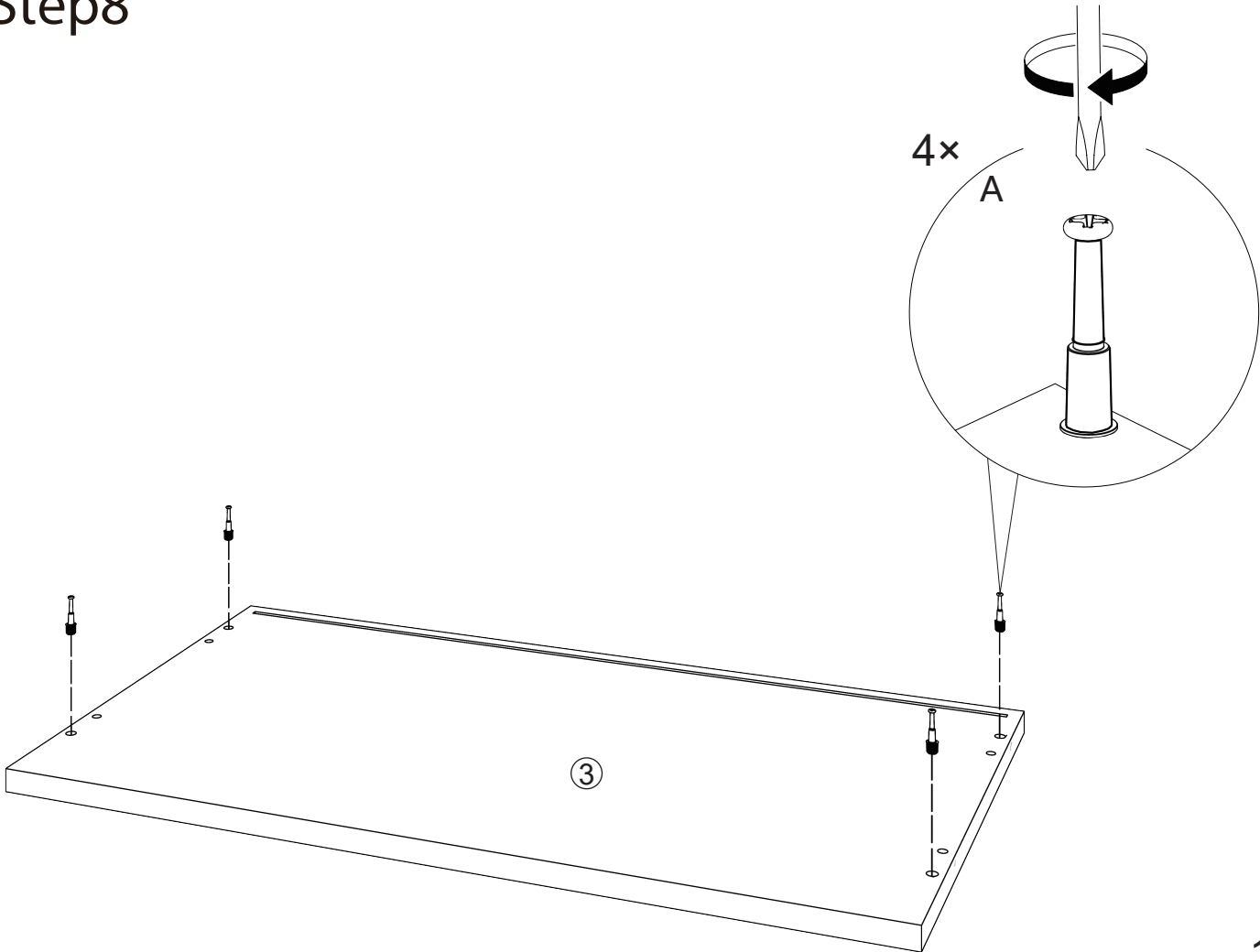
# Step 6



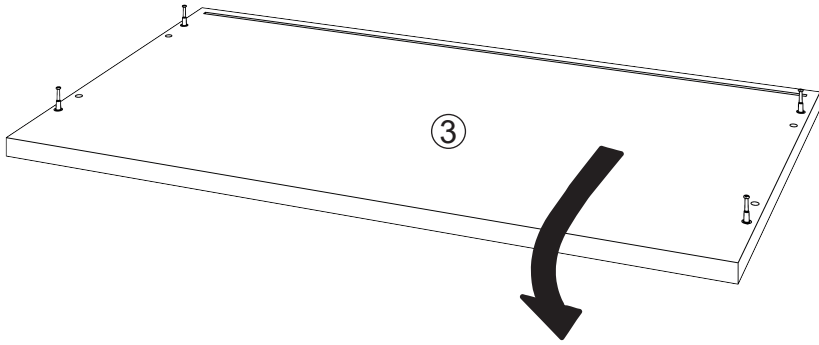
# Step7



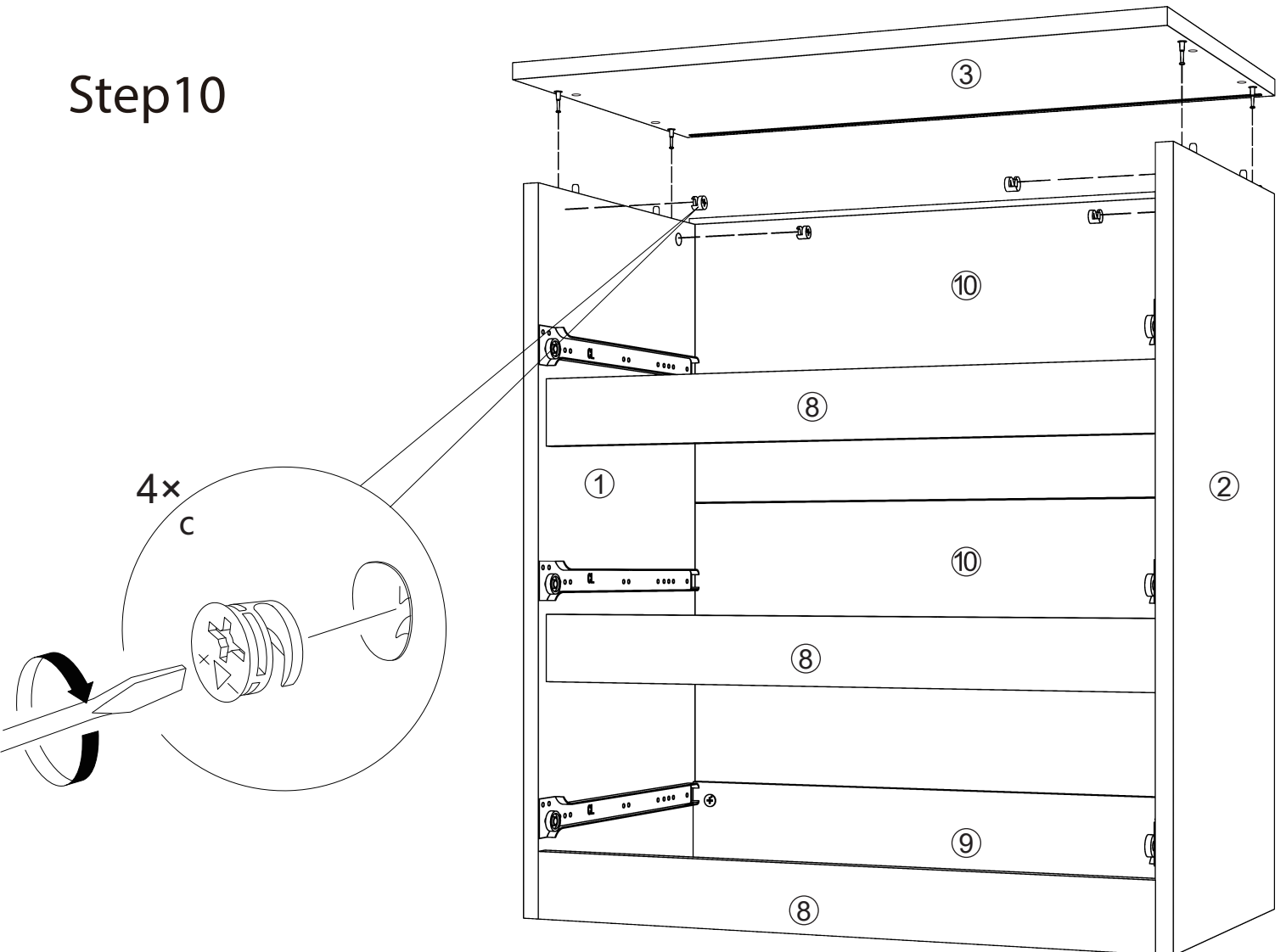
# Step8



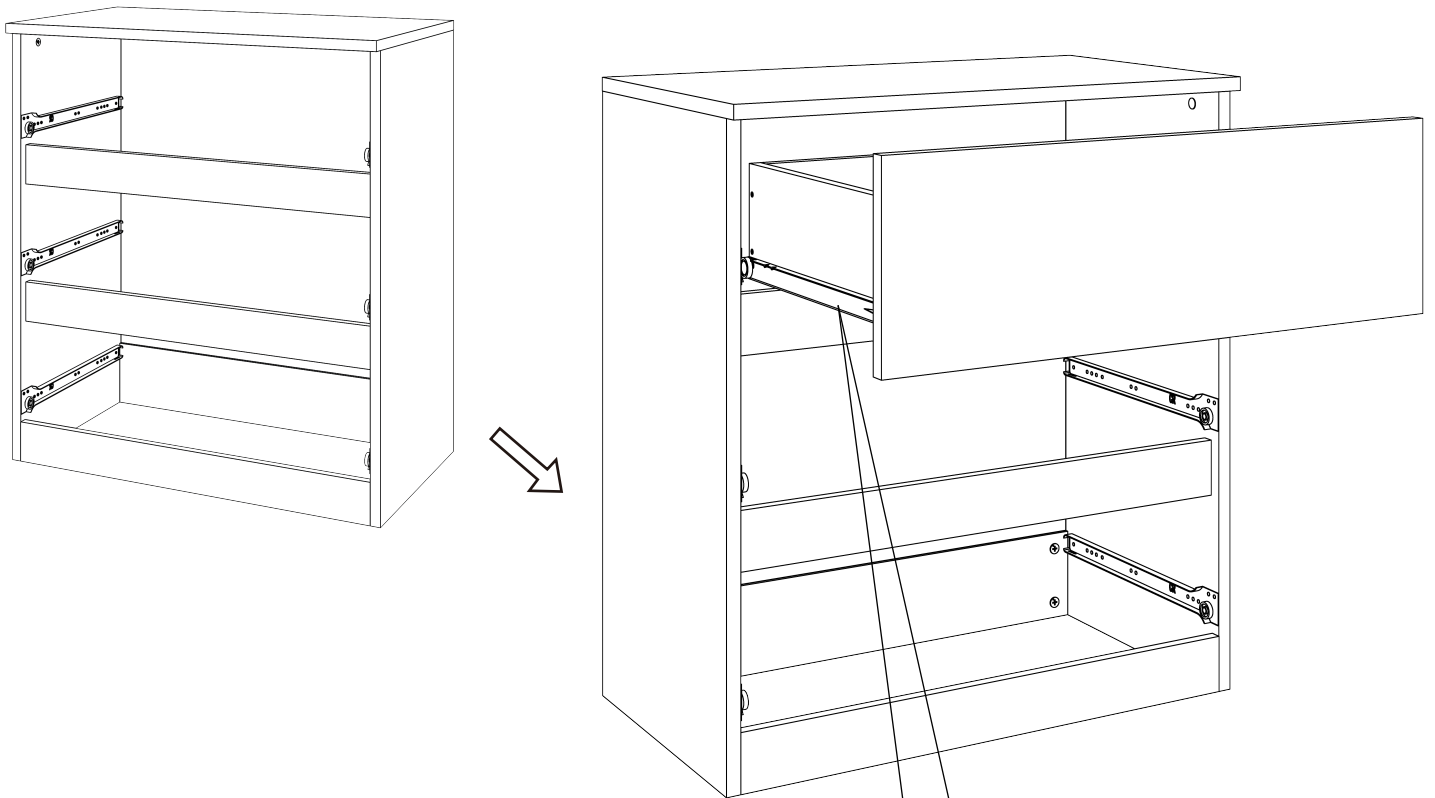
# Step9



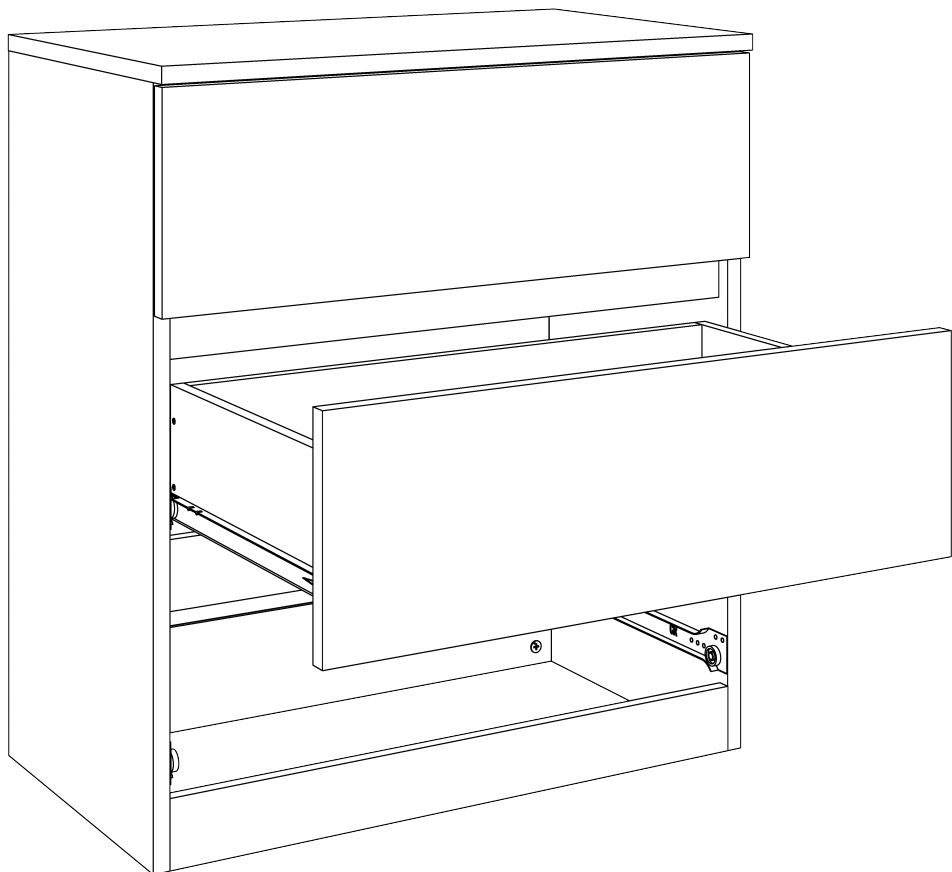
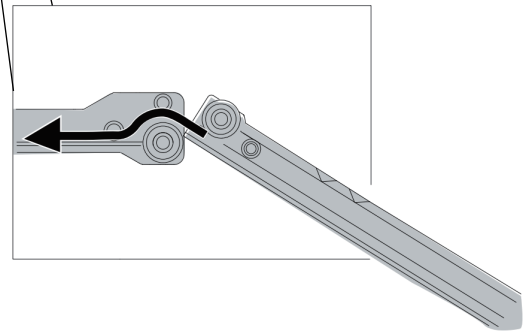
# Step10



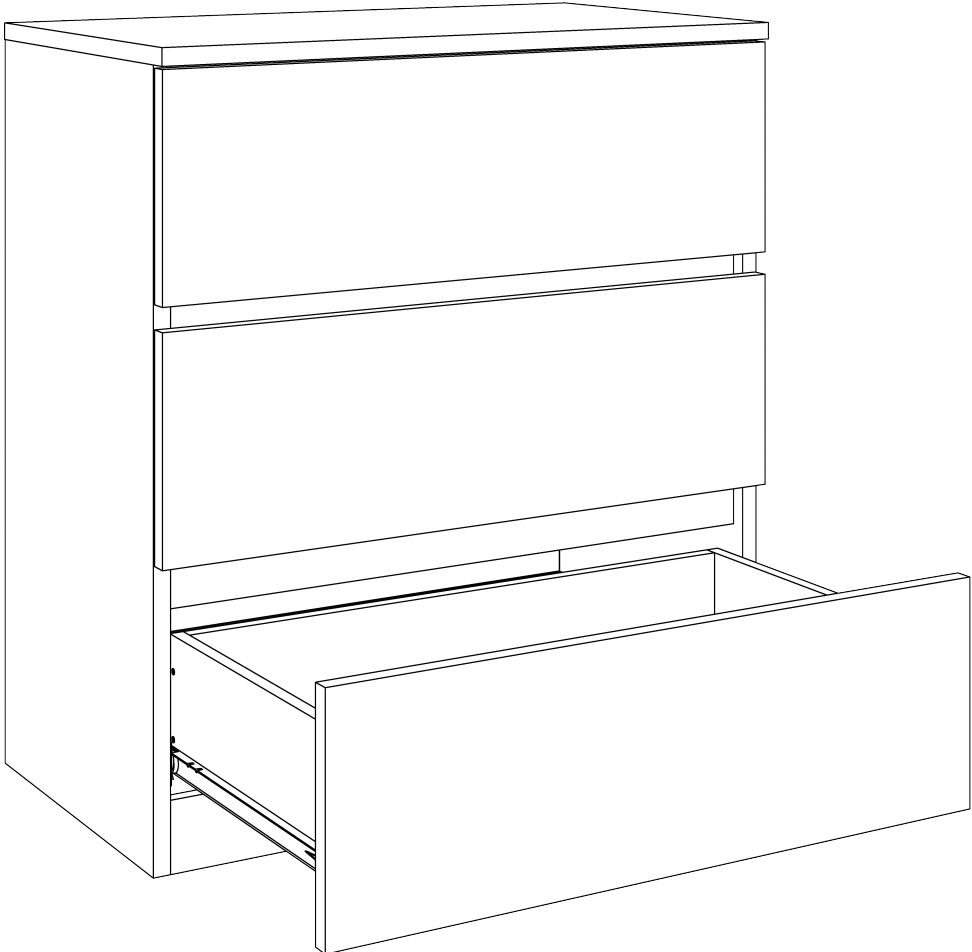
# Step 11



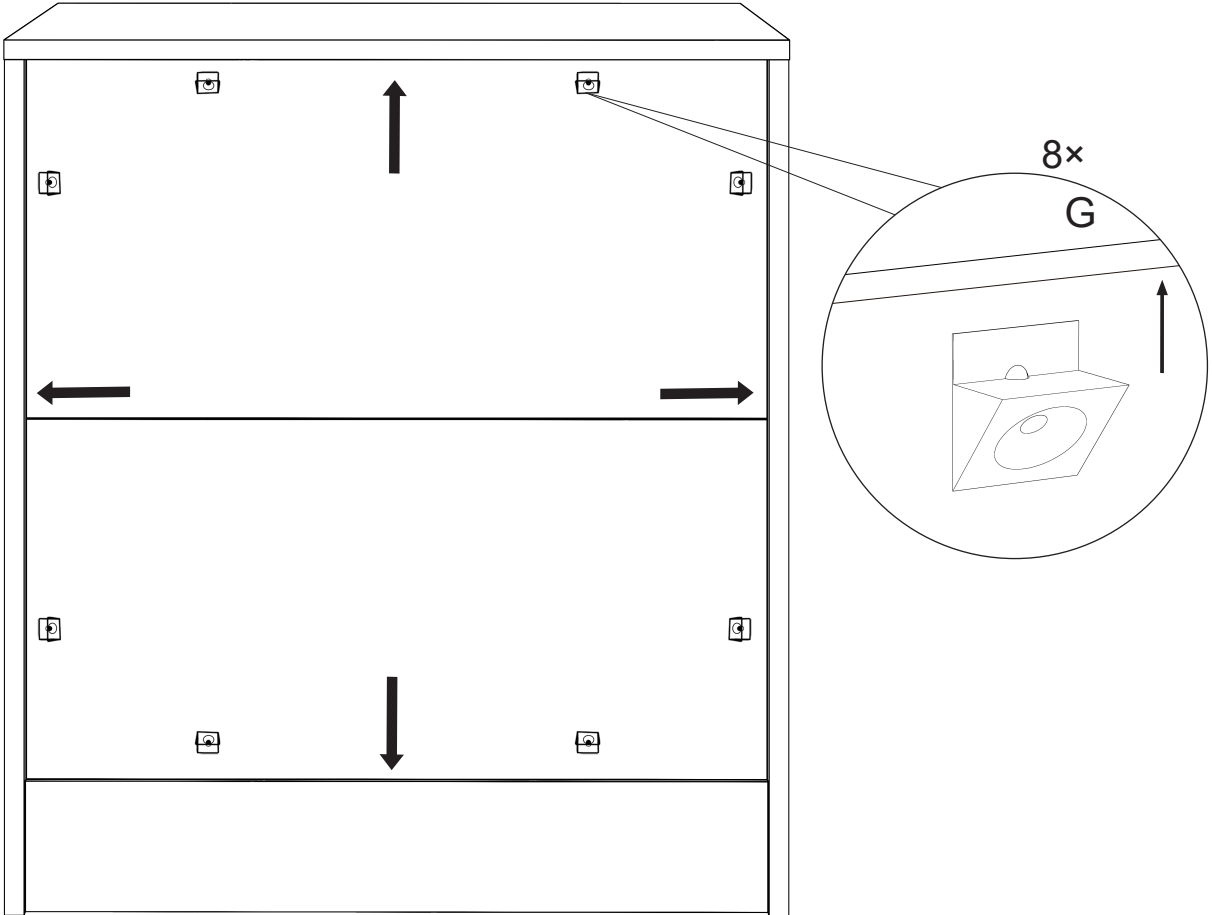
# Step 12



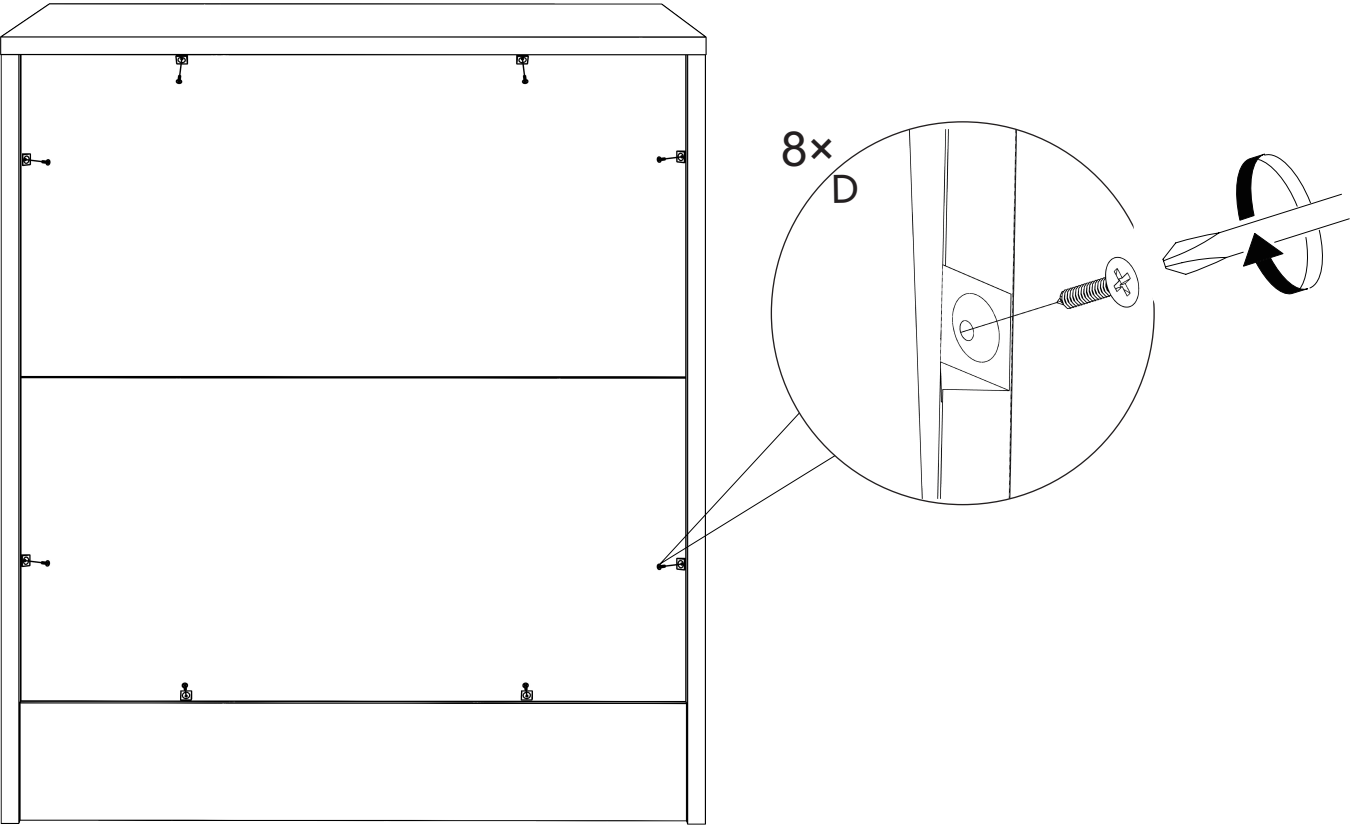
# Step13



# Step14



# Step15



# Step16

