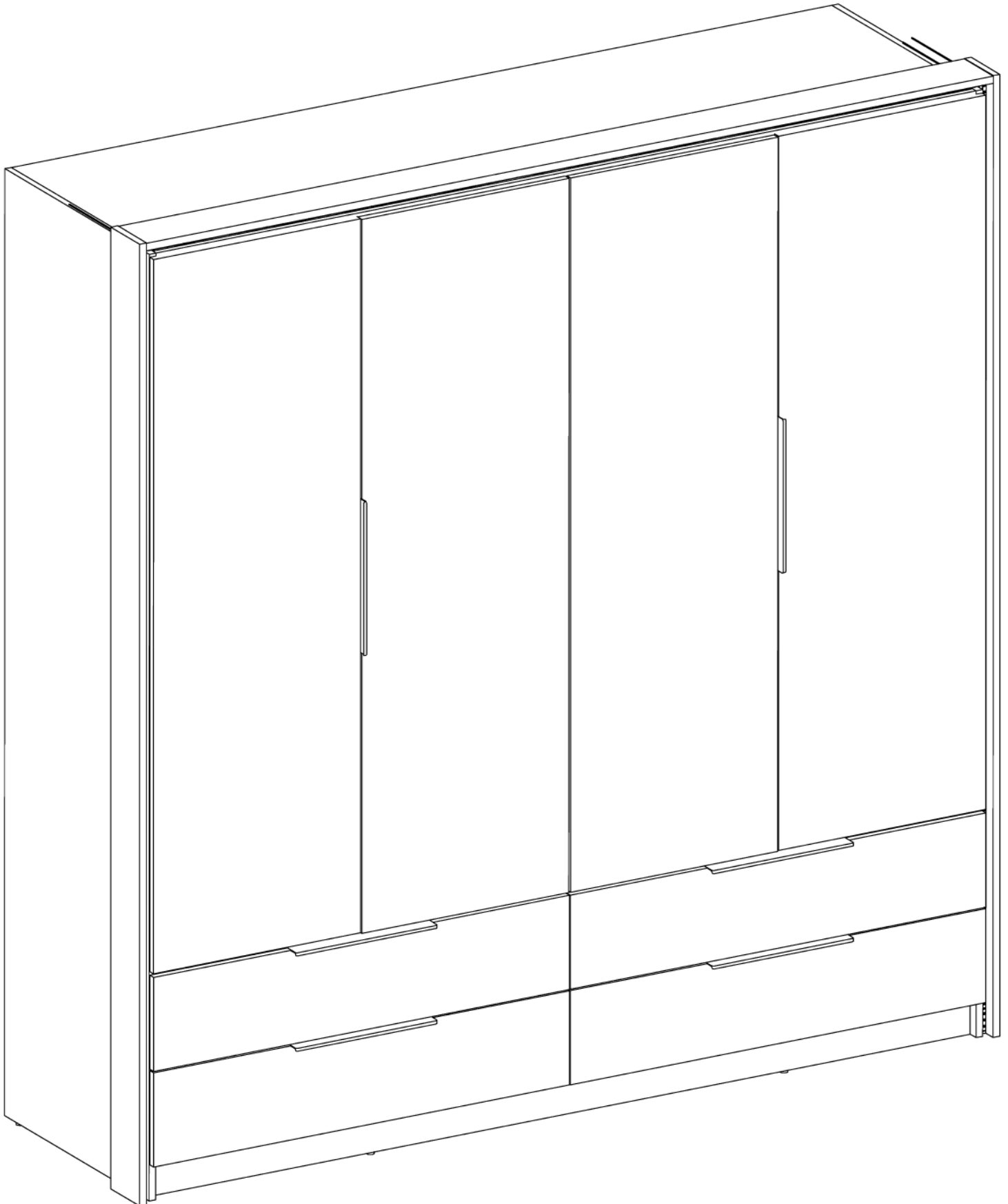
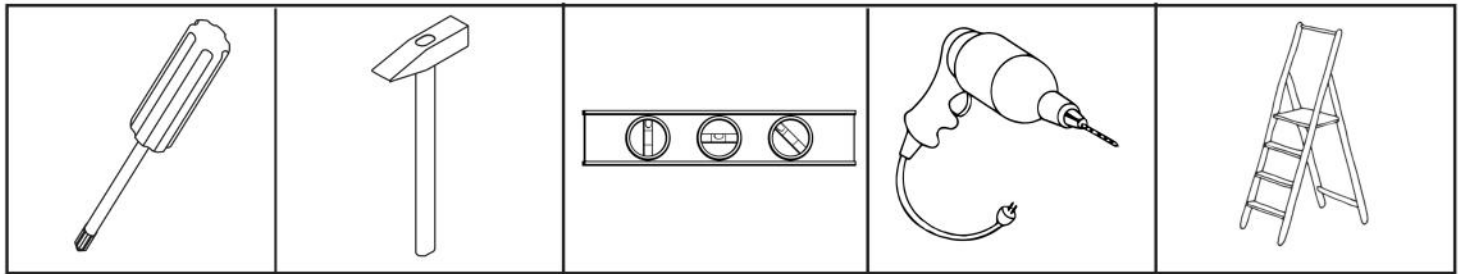
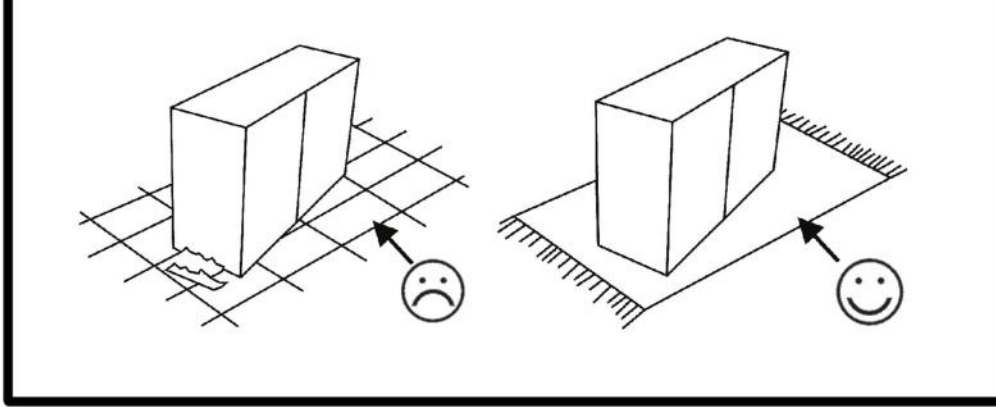




PL - Instrukcja montażu **D** - Montageanleitung **GB** - Assembly instructions
RO - instructiuni de montaj **SK** - Návod na montáž **TR** - Montaj tali matu
NL - Handleiding voor de montage **IT** - Istruzioni di montaggio **FR** - Notice de montage
CZ - Montážní návod **HU** - Szerelési útmutató **RU** - Инструкция по монтажу



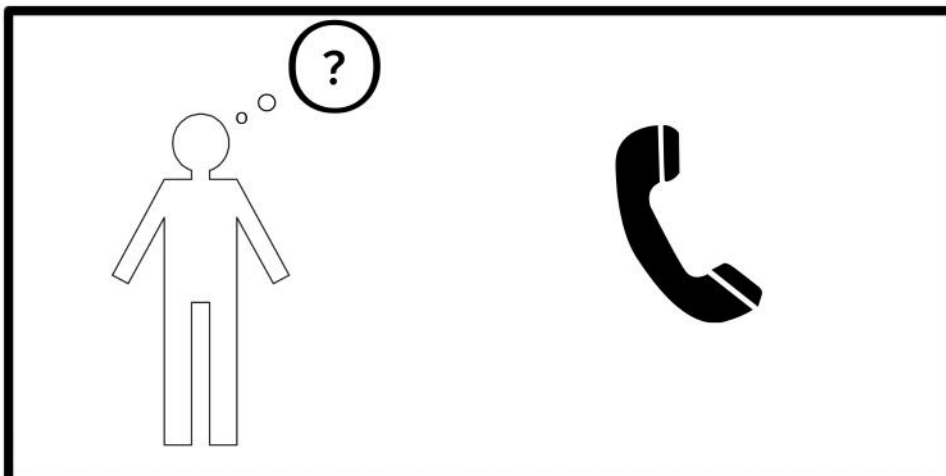
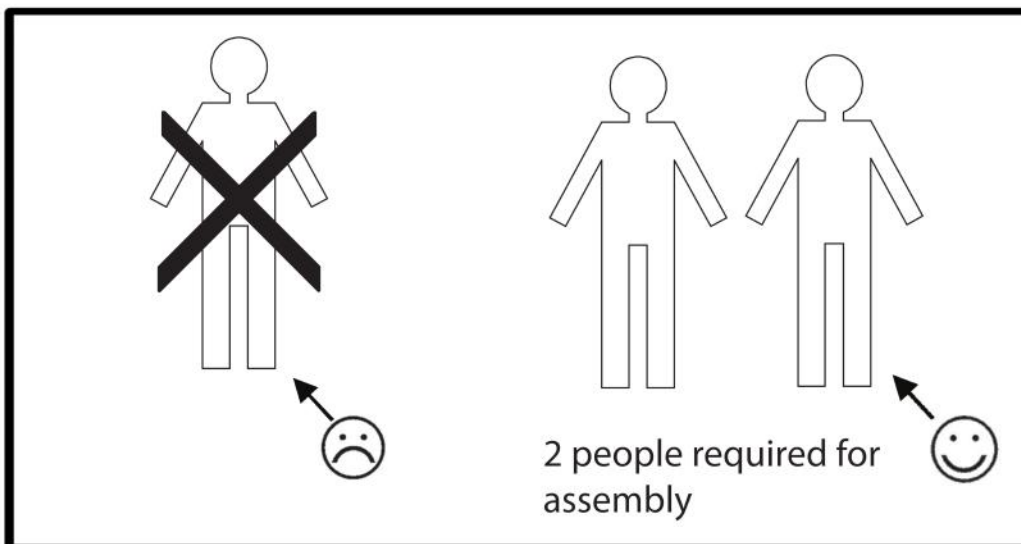


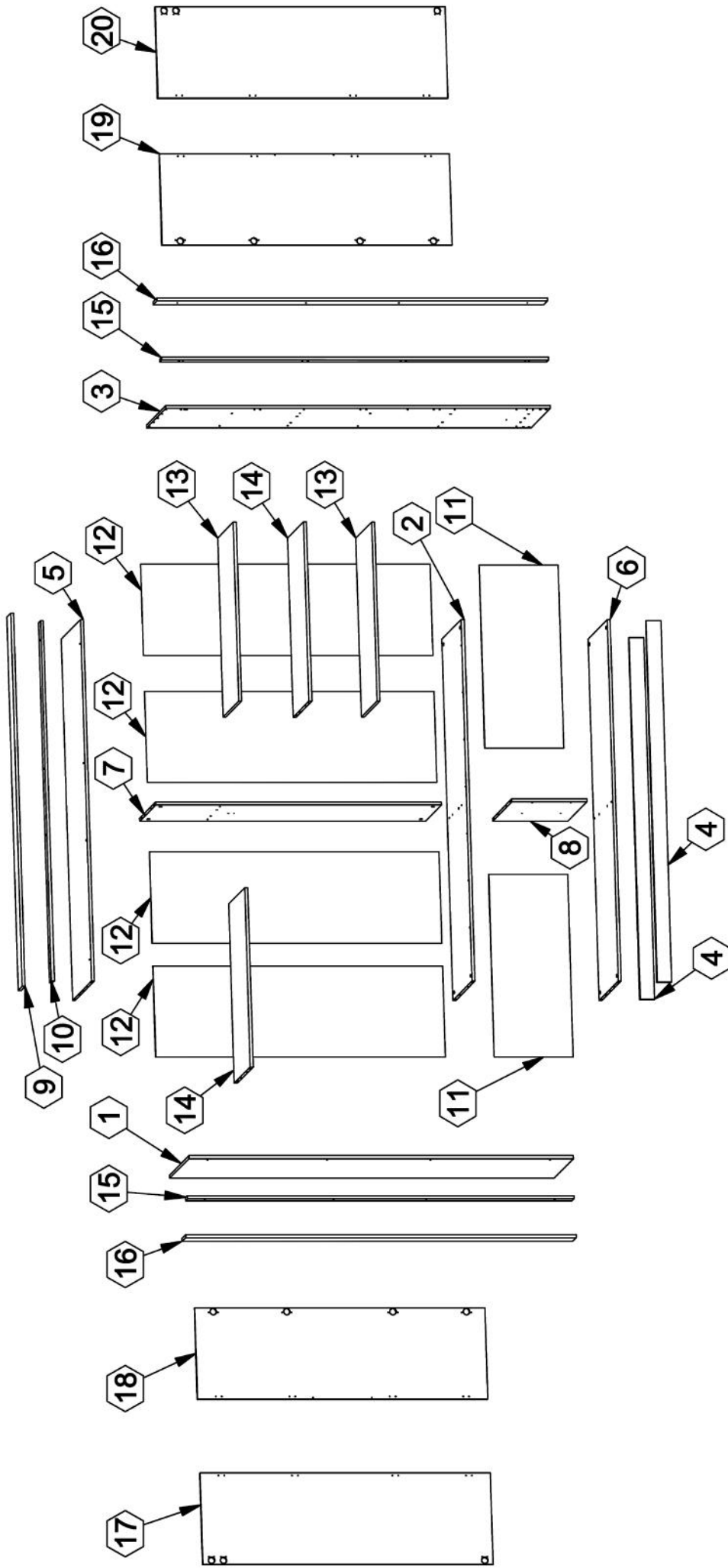
Phillips Screwdriver | Hammer

Level

Drill








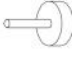
































Ladder



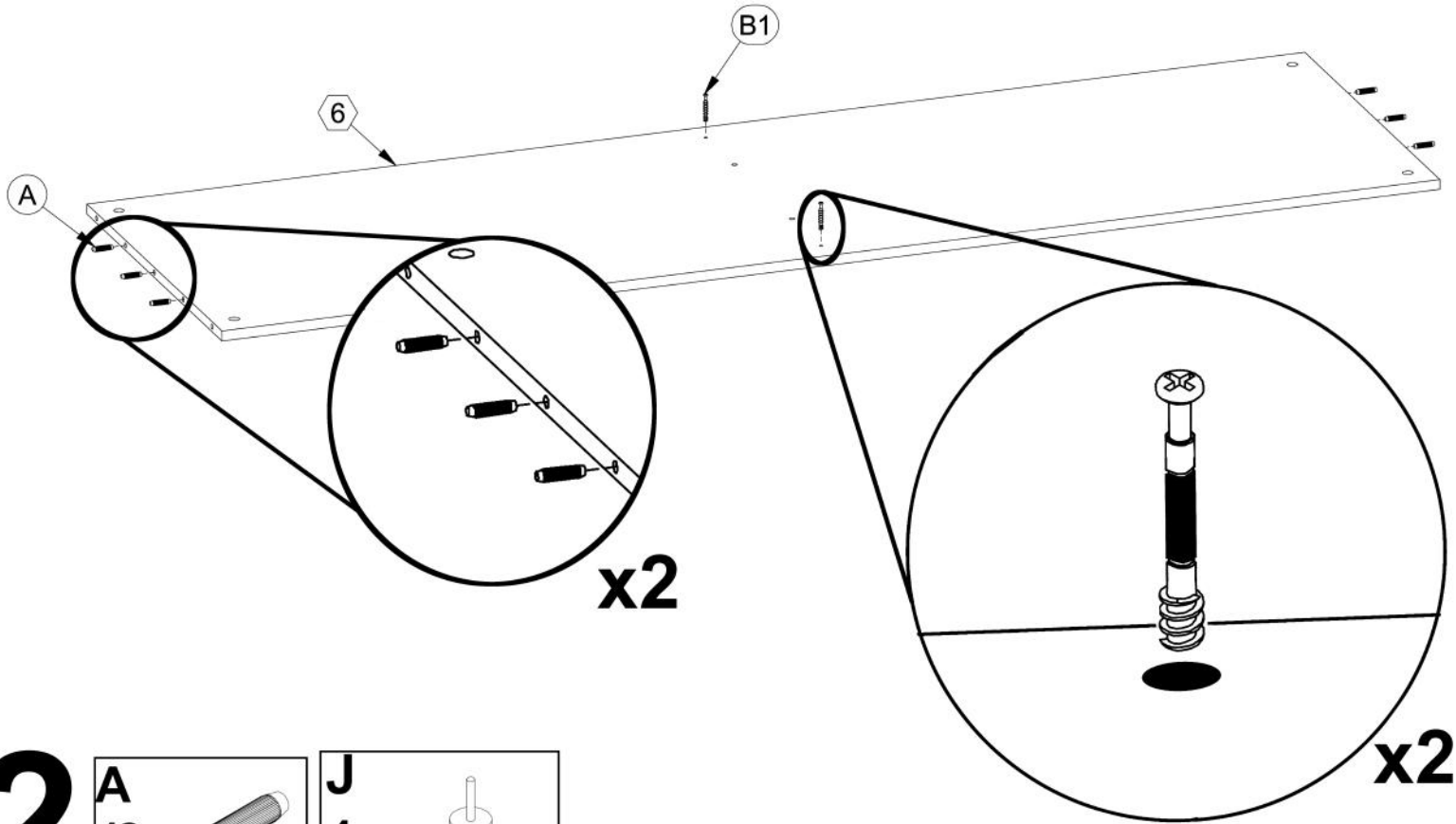
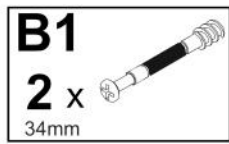
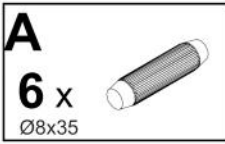


Nr	X mm	Y mm	Z mm	Qnt.	Nr	X mm	Y mm	Z mm	Qnt.
1	2160	600	16	1	14	976	550	16	2
2	1968	600	16	1	15	2312	60	16	2
3	2160	600	16	1	16	2333	120	16	2
4	1968	80	16	2	17	1578	497	16	1
5	1968	600	16	1	18	1578	497	16	1
6	1968	600	16	1	19	1578	497	16	1
7	1555	550	16	1	20	1578	497	16	1
8	477	600	16	1	21	130	500	16	4
9	2033	120	16	1	22	130	500	16	4
10	1960	60	16	1	23	130	918	16	4
11	498	996	2,5	2	24	505	948	2,5	4
12	1576	497	2,5	4	25	242	997	16	2
13	976	550	16	2	26	242	997	16	2

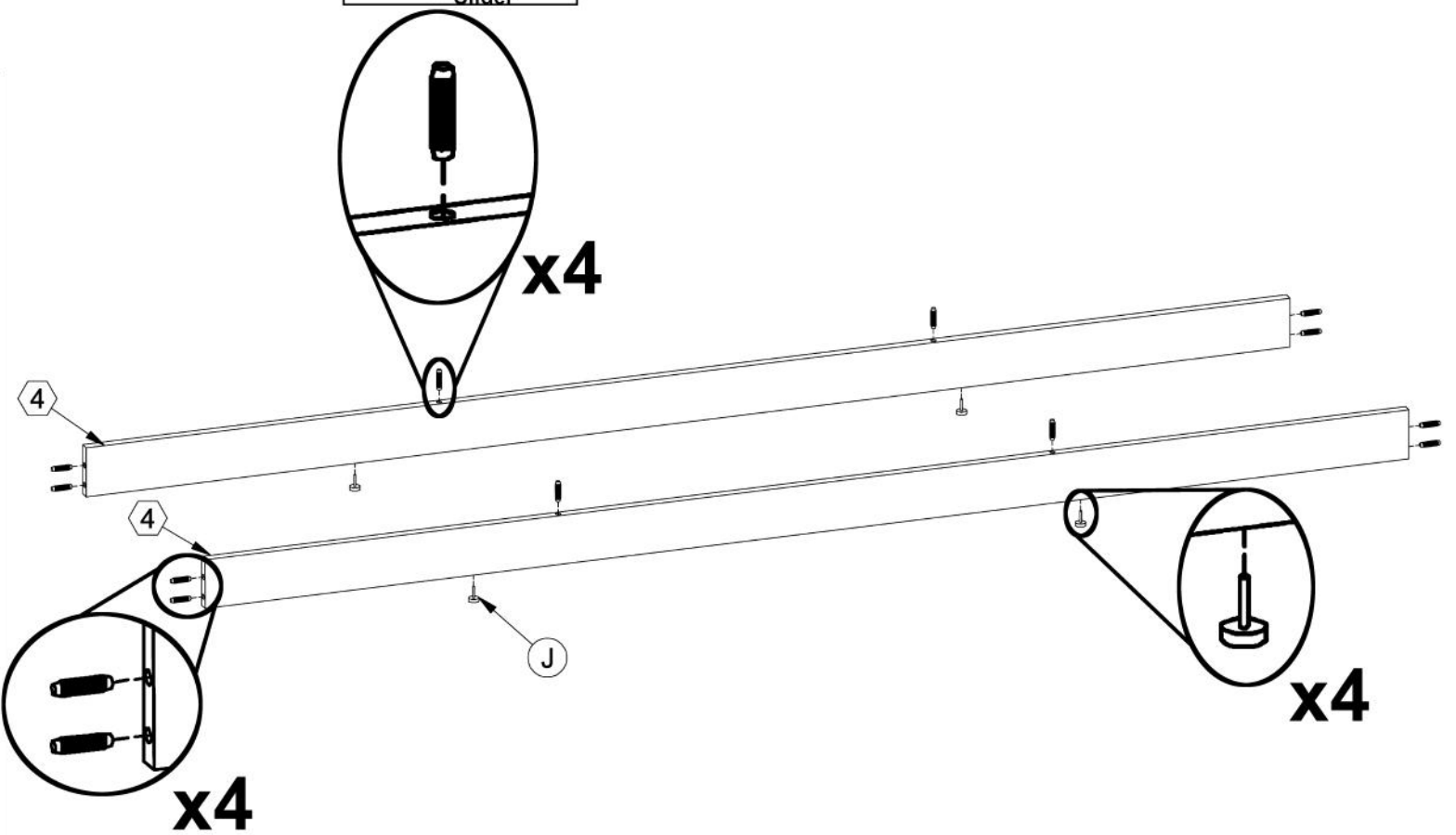
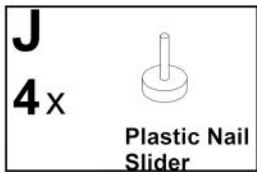
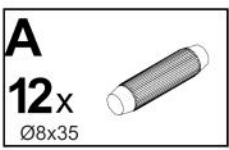
Accessories

K 1 X  Glue	Z1 1 X 	Z2 2 X 	C2 8 X Ø3x25 	A 76 X Ø8x35 
E 8 X handles 	C2 16 X Ø3x25 	J 8 X Plastic Nail Slider 	D3 32 X 	B 44 X Ø15x12 
C4 2 X Gold/Silver Ø4x16 	F1 2 X Rod Holder 	H 8 X shelf holder 	Z3 8 X 	B1 44 X 34mm 
C4 16 X 	I 1 X 	F 1 X 482 mm hanging rail 	C4 32 X 	B2 44 X Ø17 
C4 200 X 	C5 200 X 	I1 1 X 	D6 8 X 	G 1 X 
D1 8 X 	D2 8 X 	H1 2 X 	Z4 8 X 	G1 1 X 
D2 8 X 	H3 4 X 	C 32 X 	D8 8 X 	G2 1 X 
D3 8 X 	C 12 X 	C3 2 X 	G 1 X 	C 12 X 

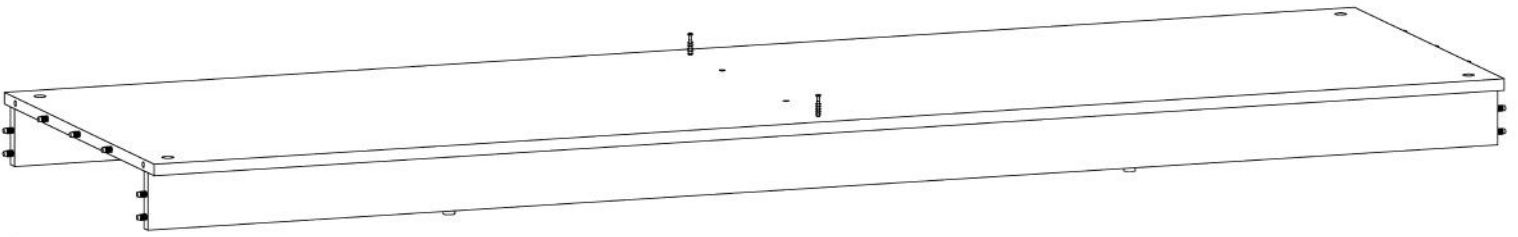
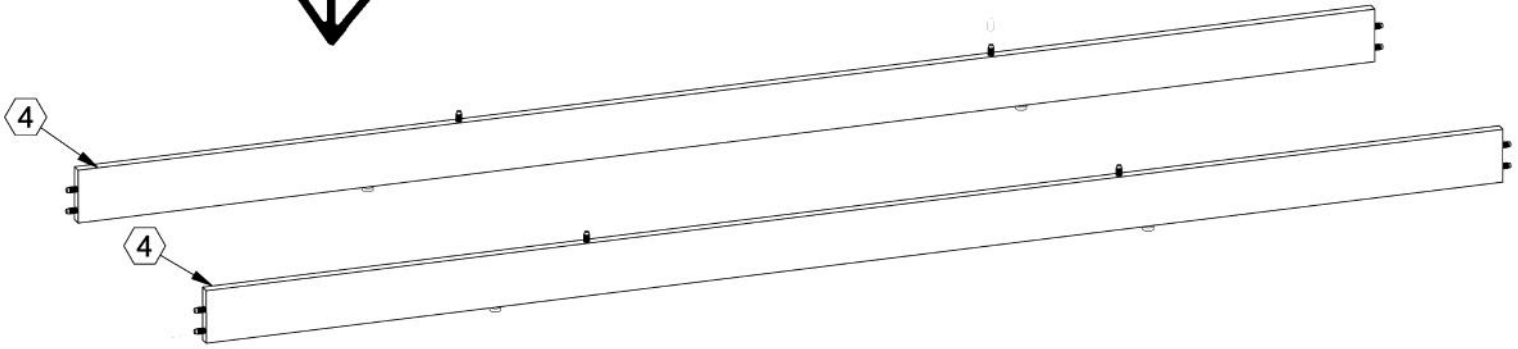
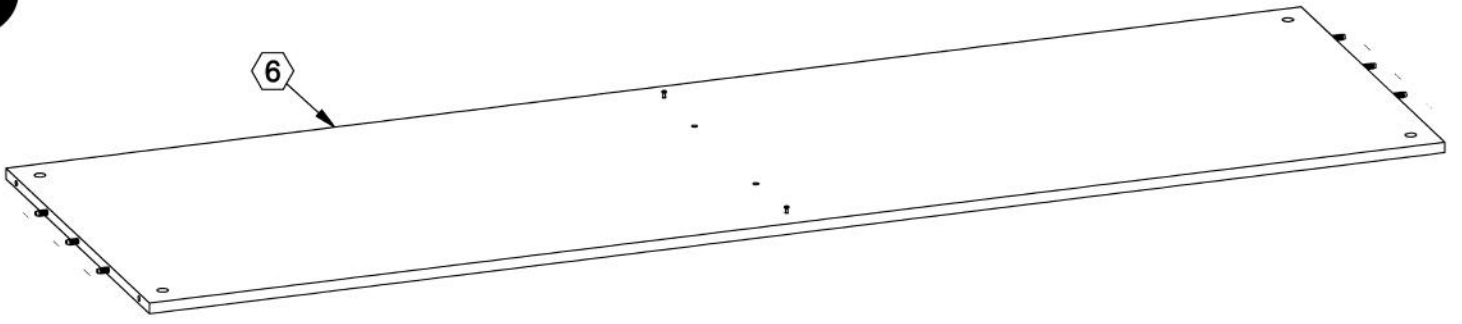
1



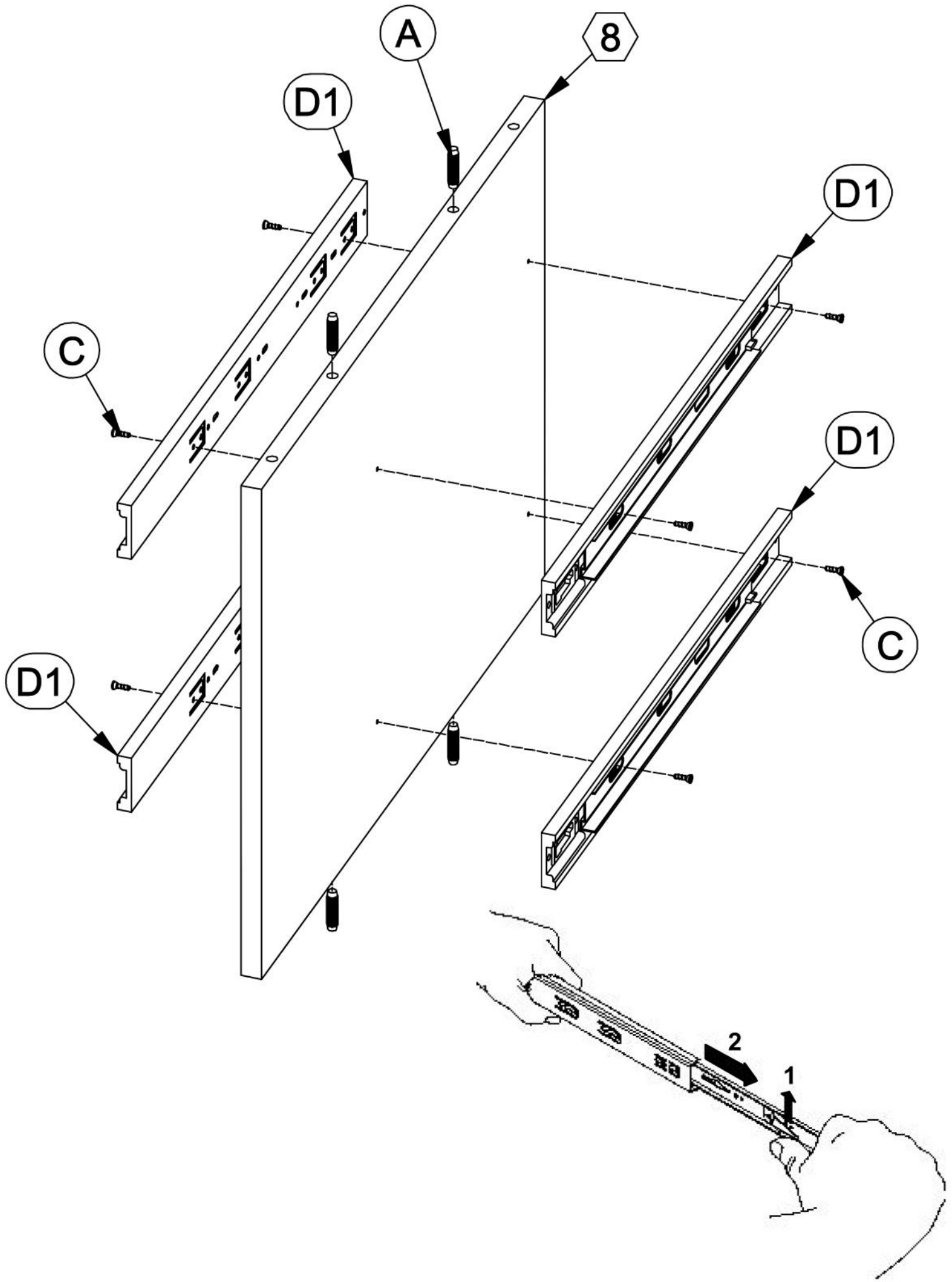
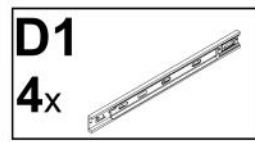
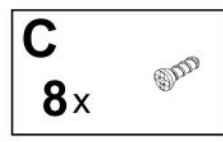
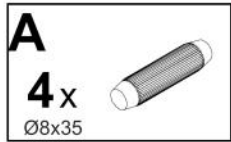
2



3


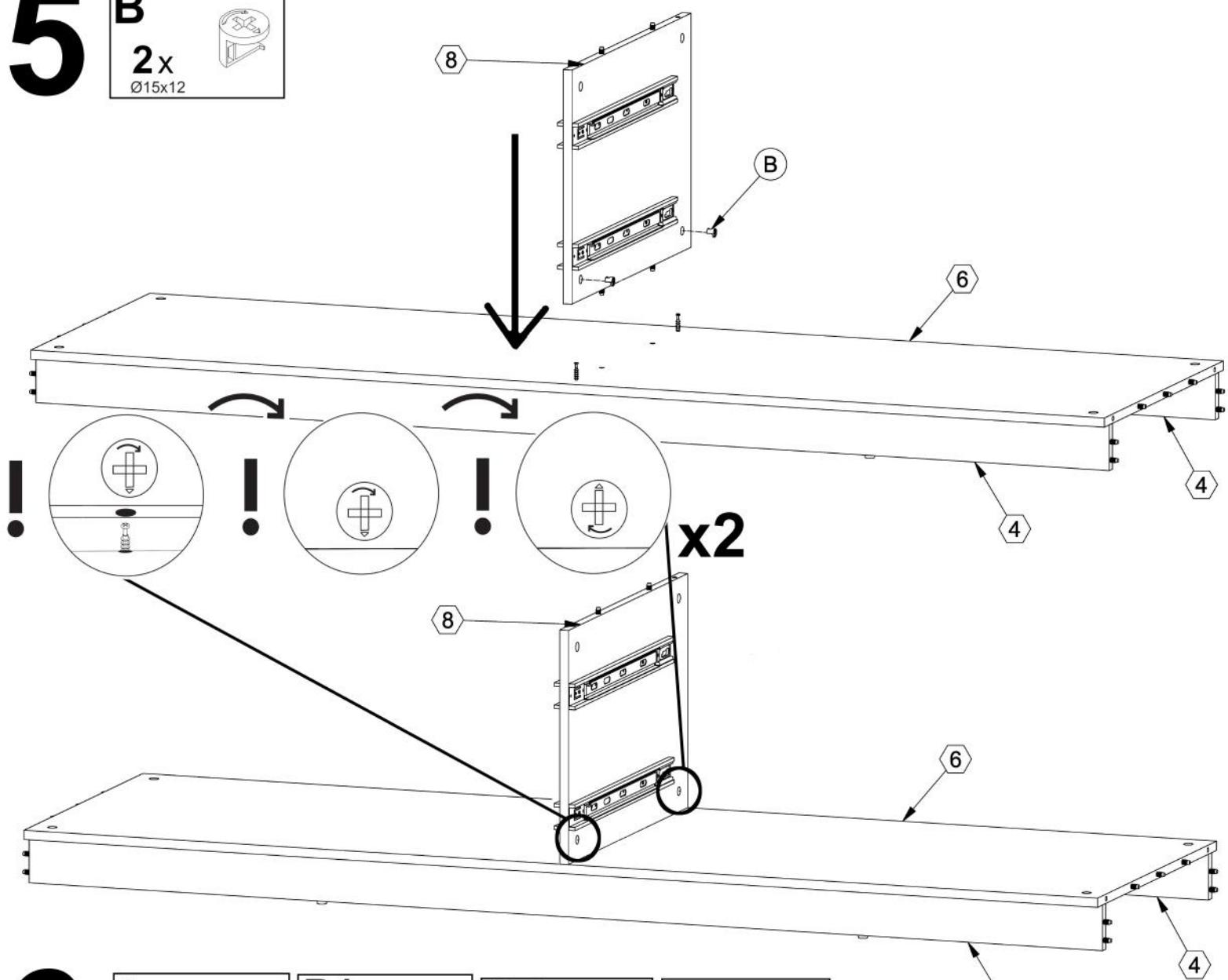


4



5

B
2x
Ø15x12

6


A
4x
Ø8x35




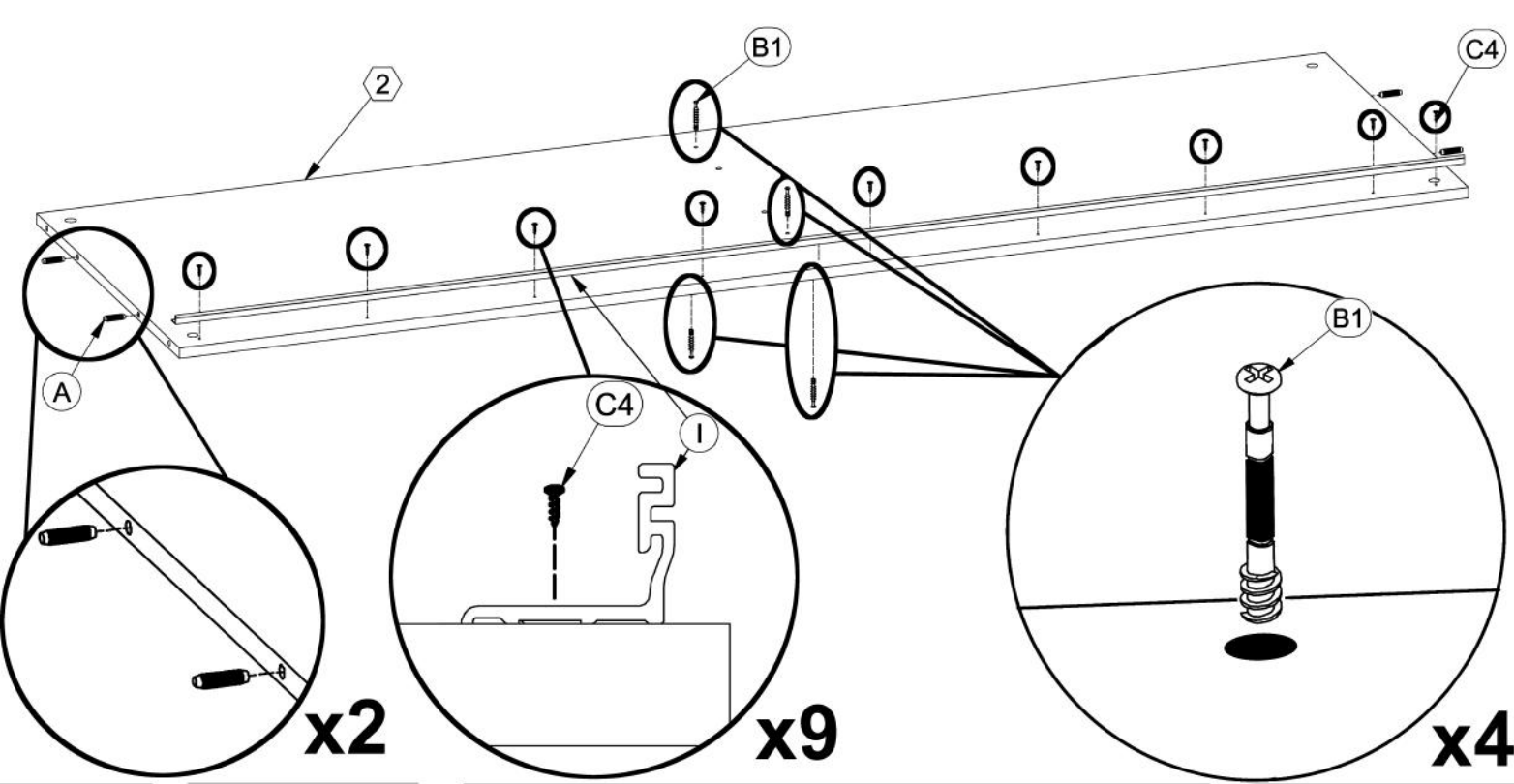
B1
4x
34mm



C4
9x



I
1x

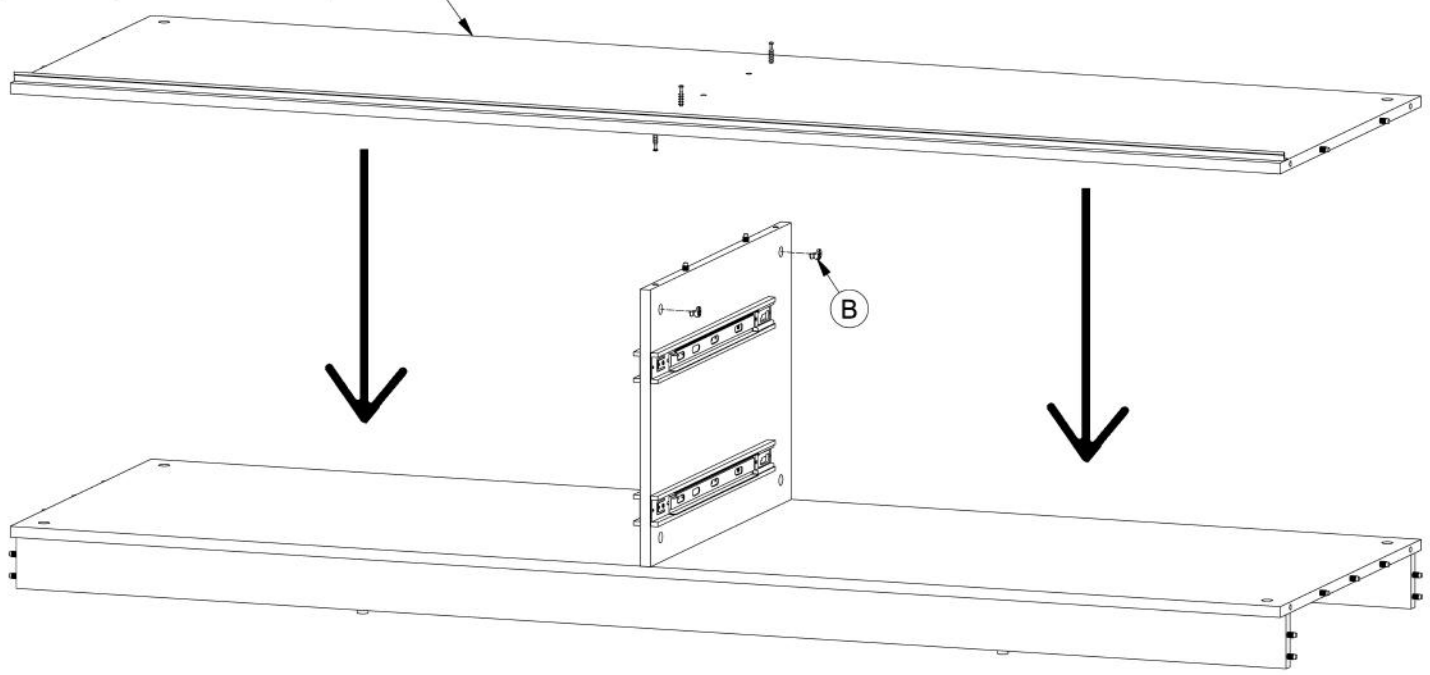



7

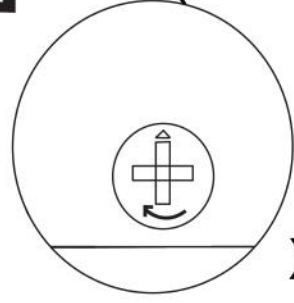
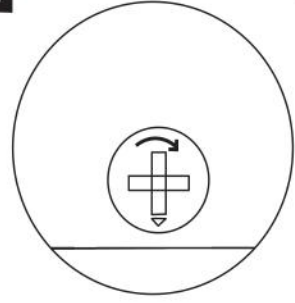
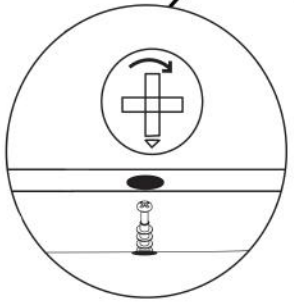
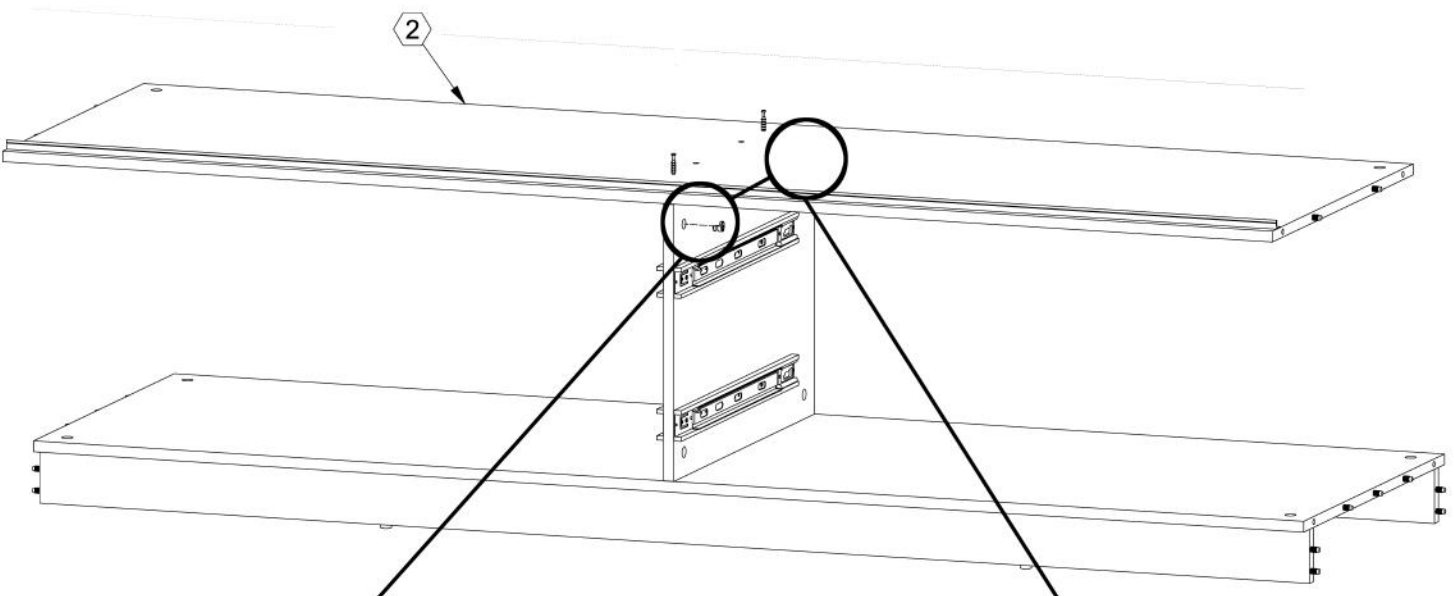
B
2 x
Ø15x12



2



2



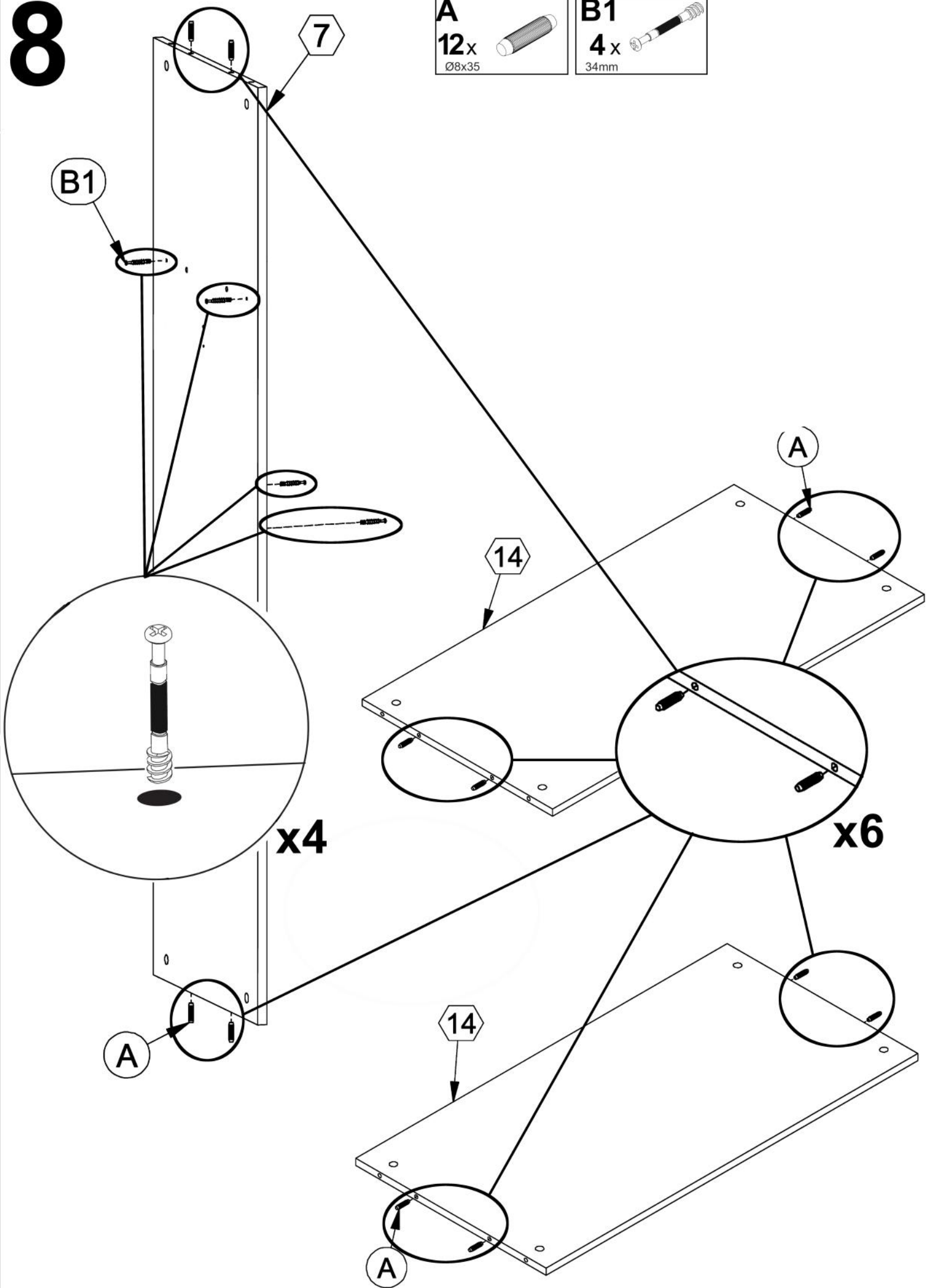
x2

8

A
12x
Ø8x35

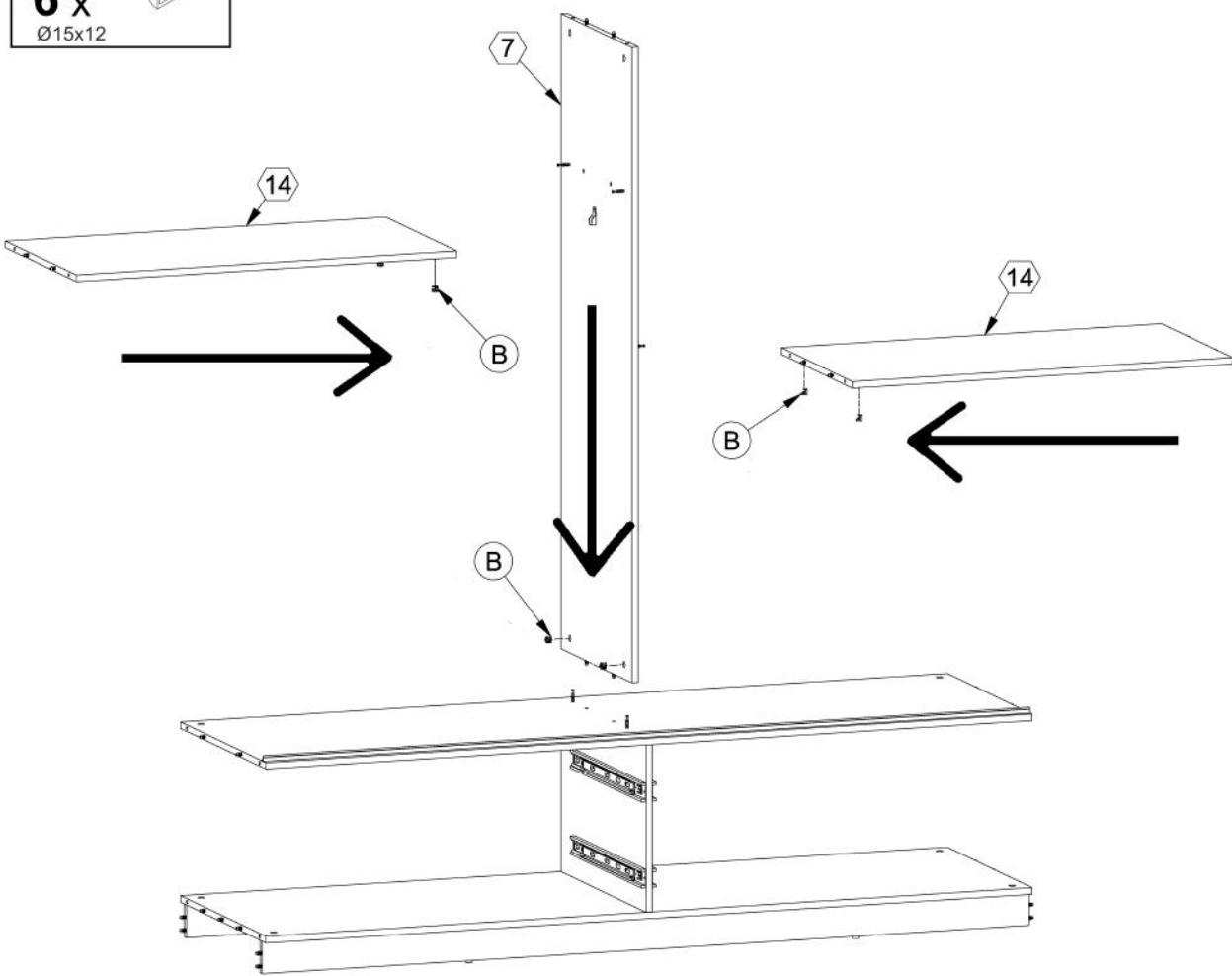


B1
4x
34mm

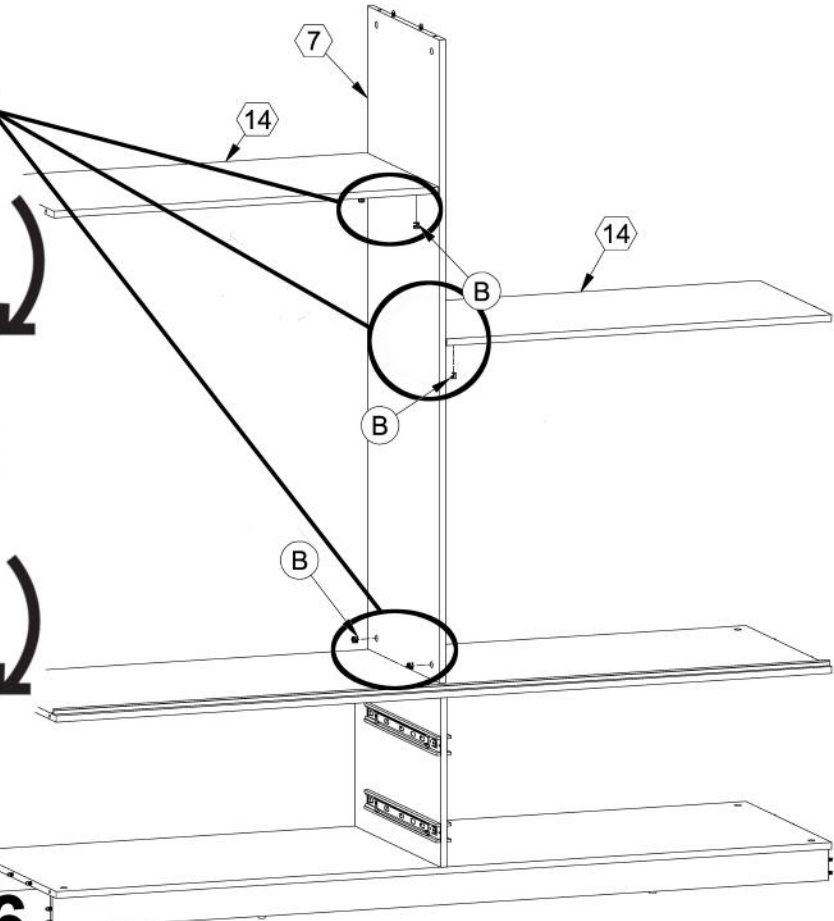
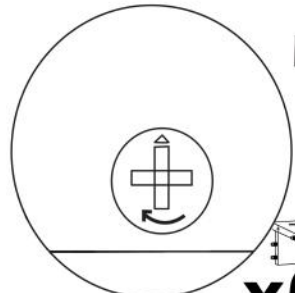
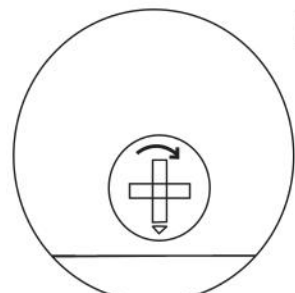
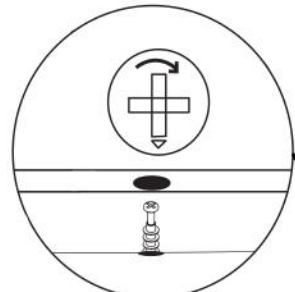


9

B
6 x
Ø15x12



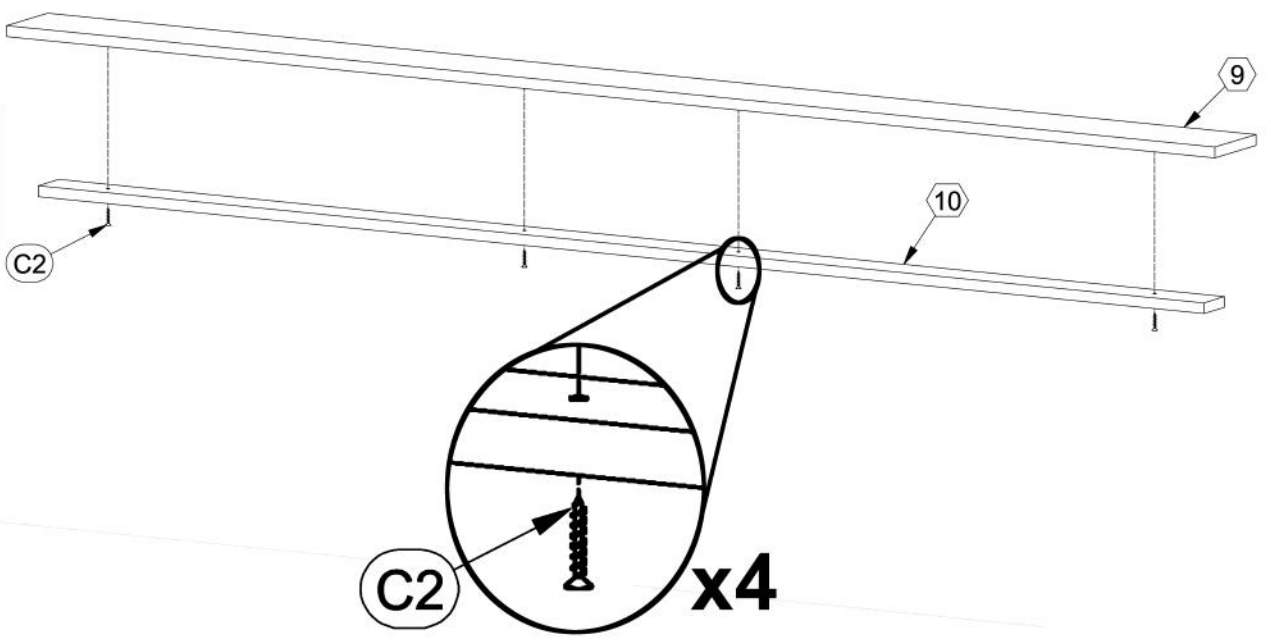
!
!
!



x6

10

- C2**
- 4x
- Ø3x25

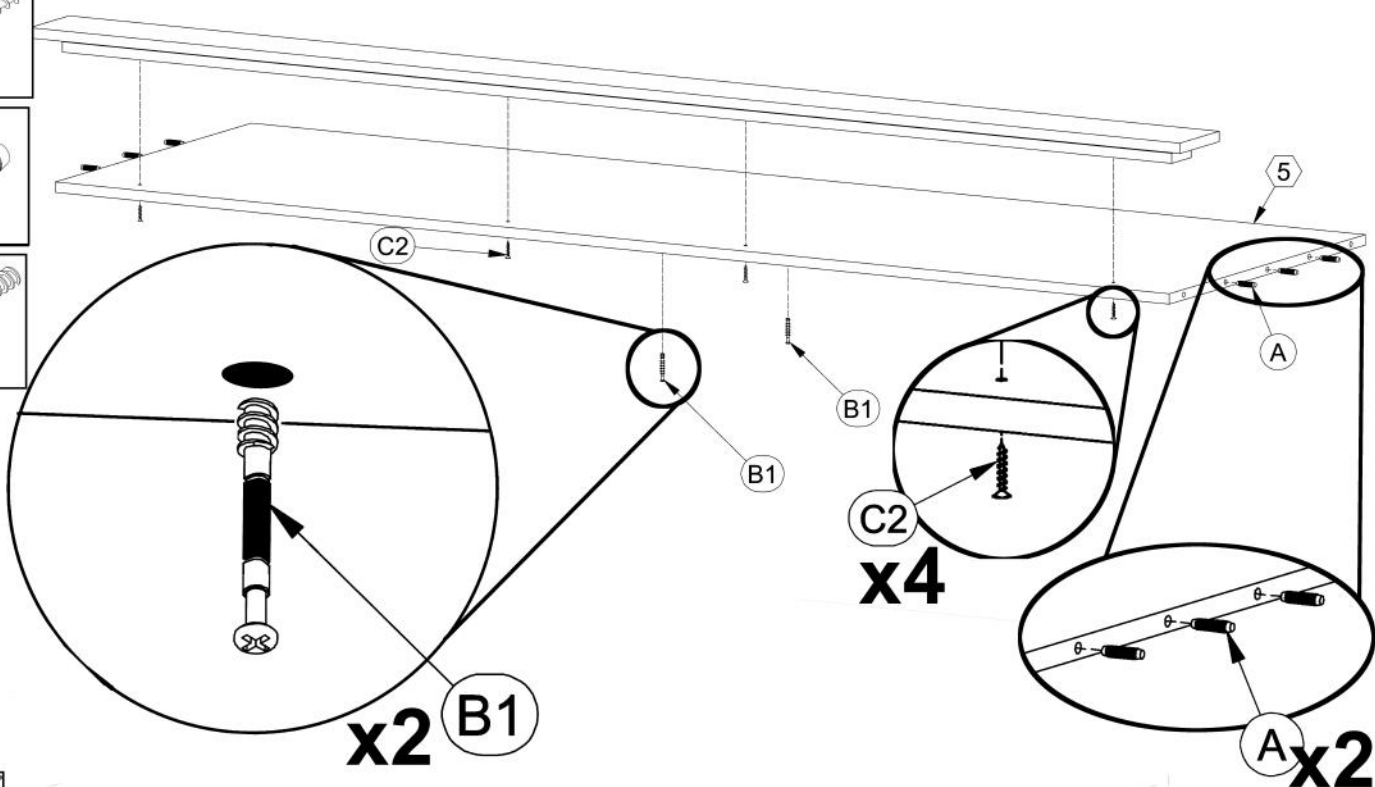


11

- C2**
- 4x
- Ø3x25

- A**
- 6x
- Ø8x35

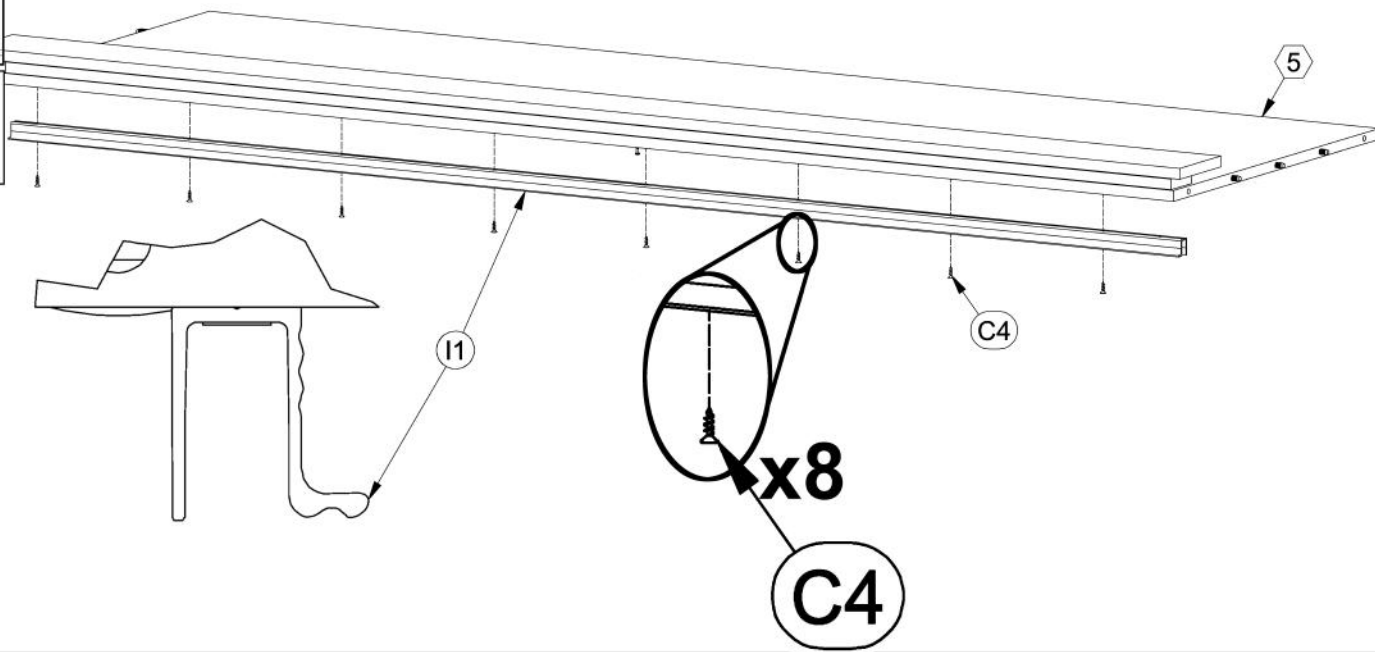
- B1**
- 2x
- 34mm



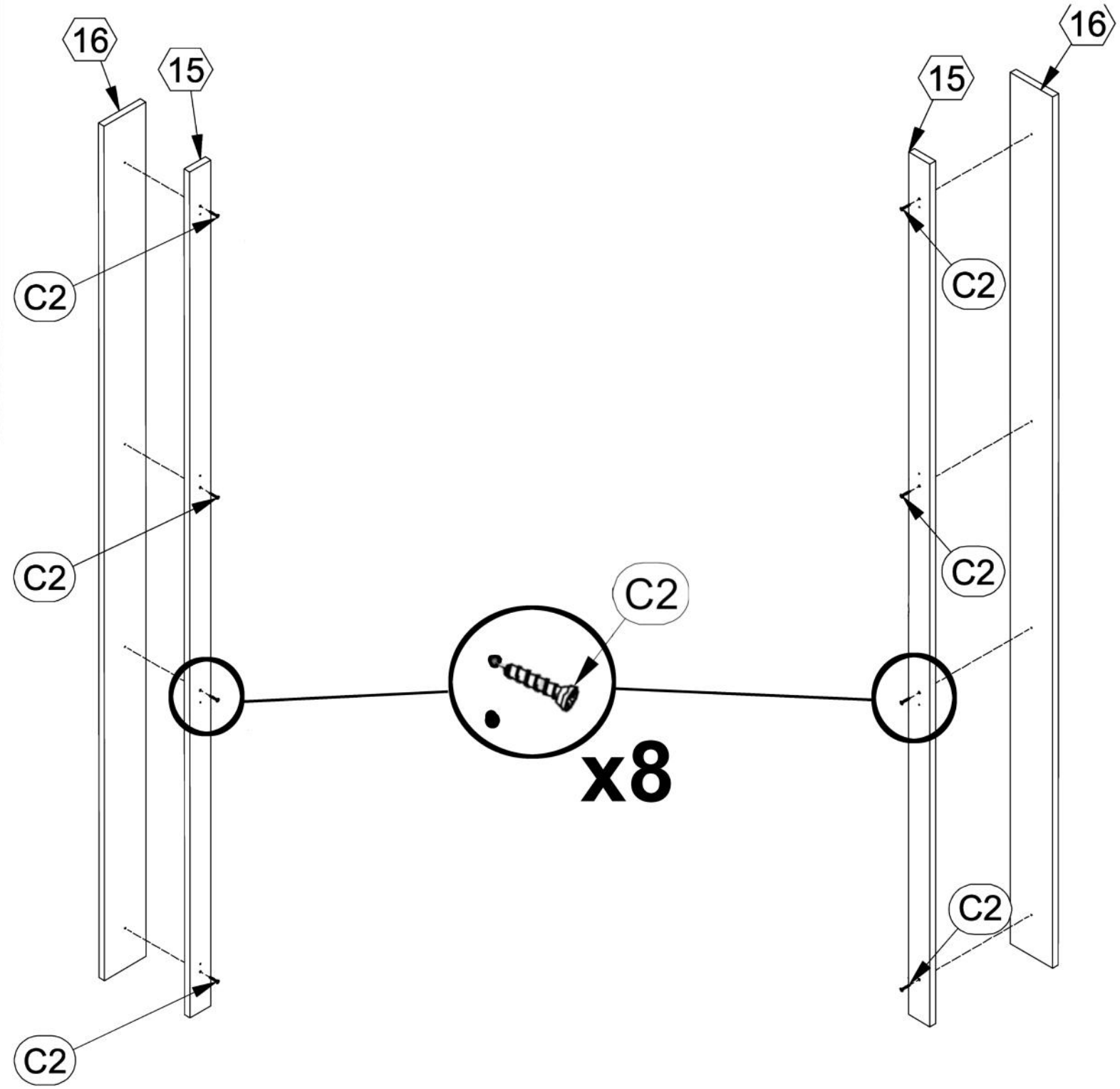
12

- I1**
- 1x

- C4**
- 8x

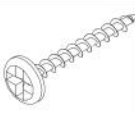


13




14


C2
8x
Ø3x25




J
4x




C
8x



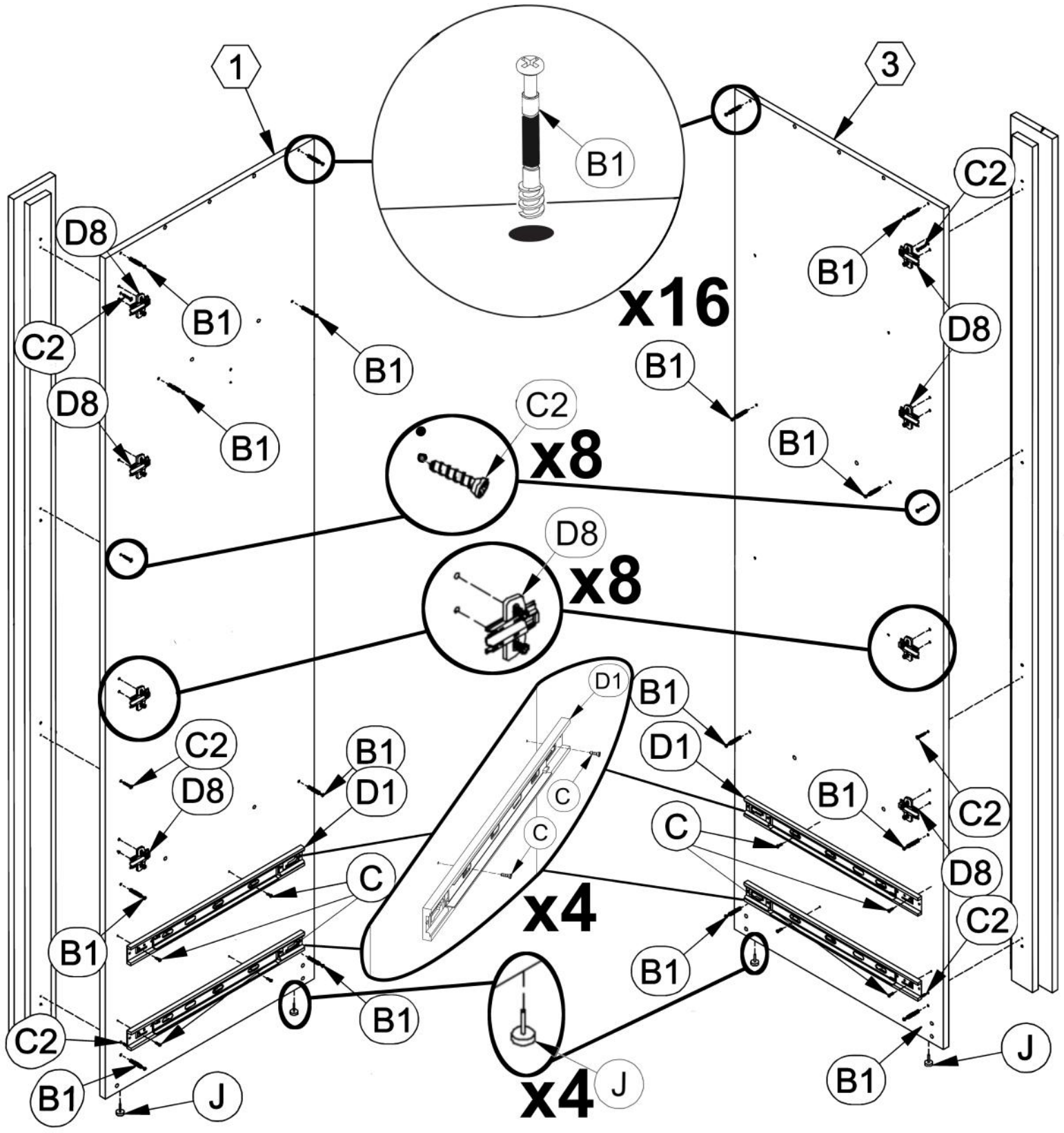

D1
4x



D8
8x

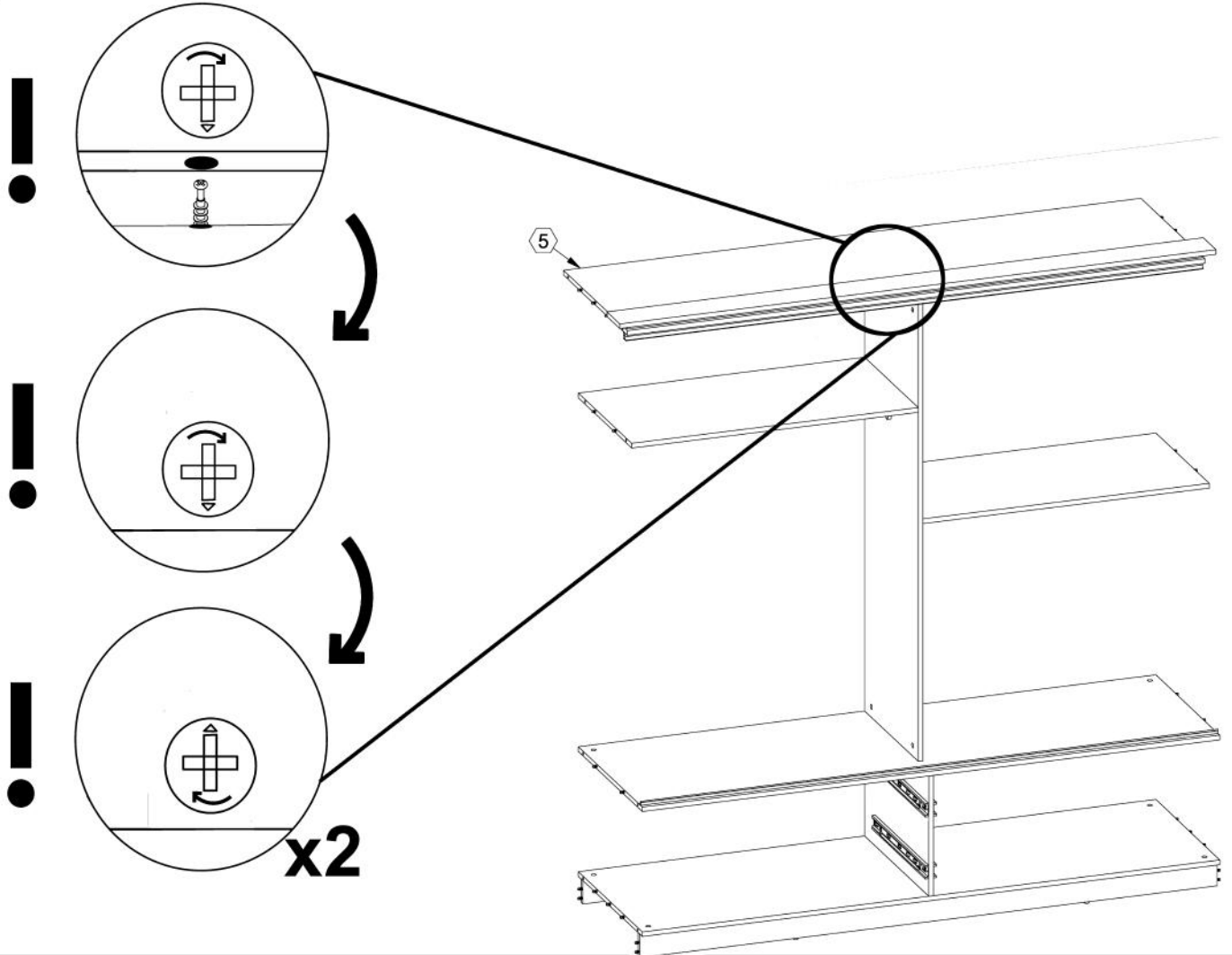
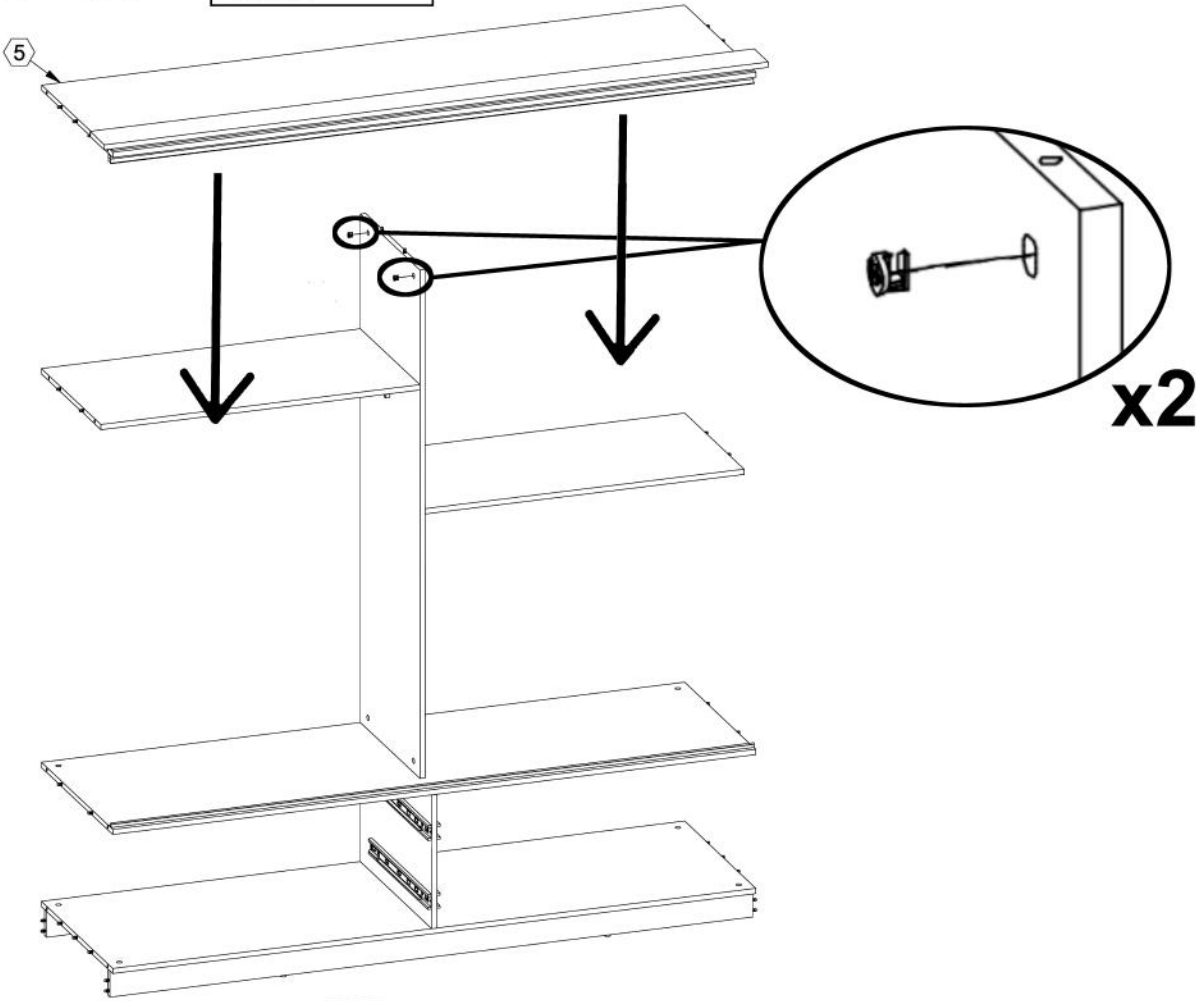


B1
16x



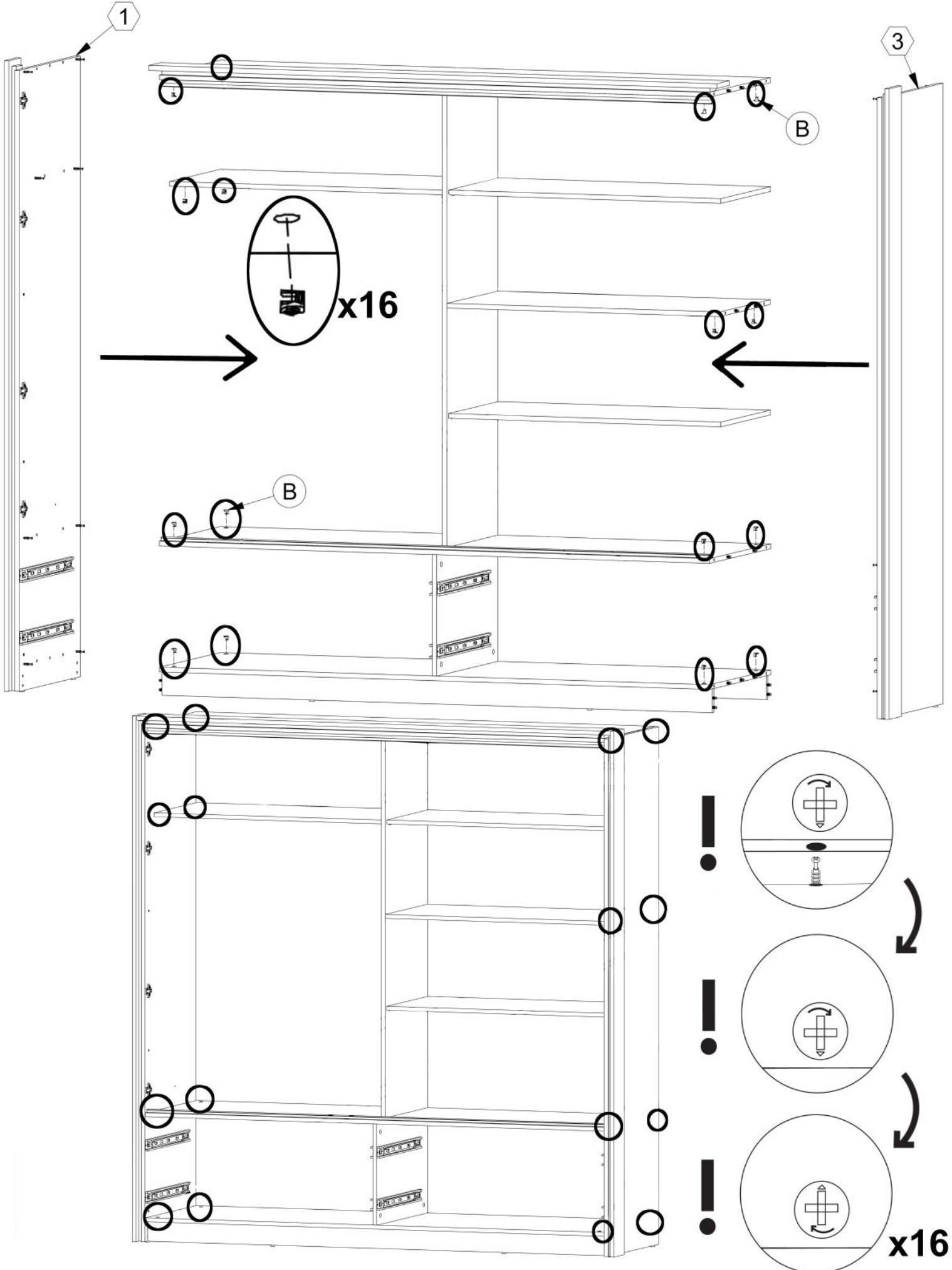
15

B
2x
Ø15x12






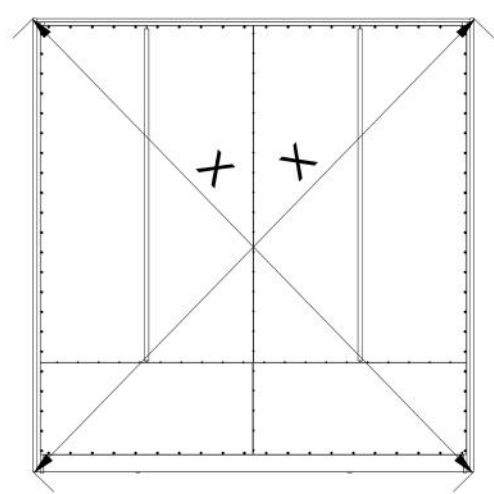
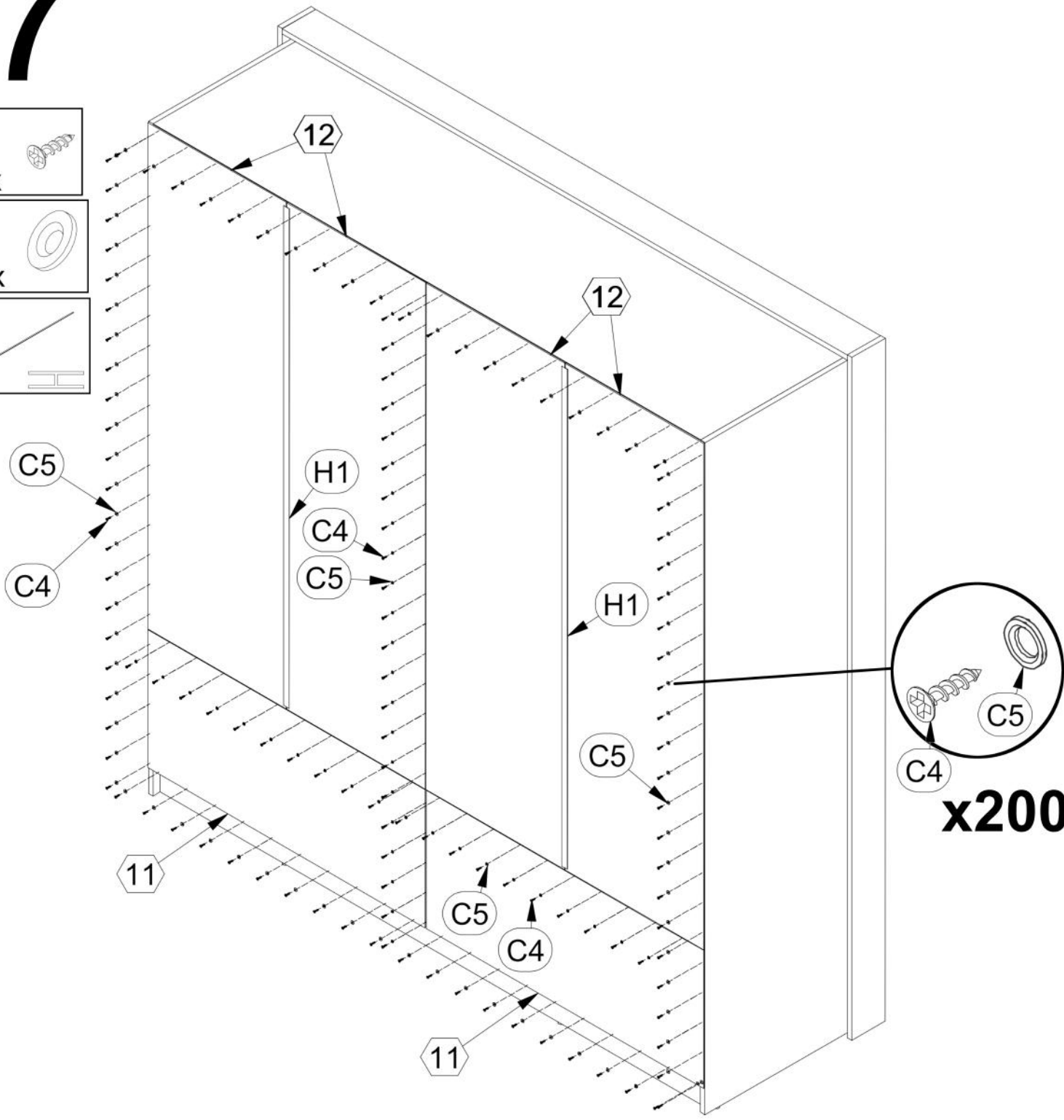
16

B
16x
Ø15x12



17

- C4**
200x 
- C5**
200x 
- H1**
2 x 



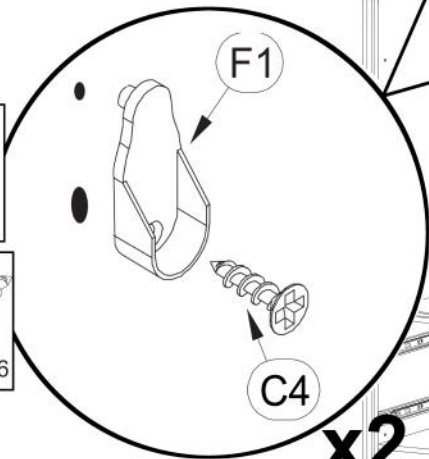
X=X

18

H
8 x
shelf holder

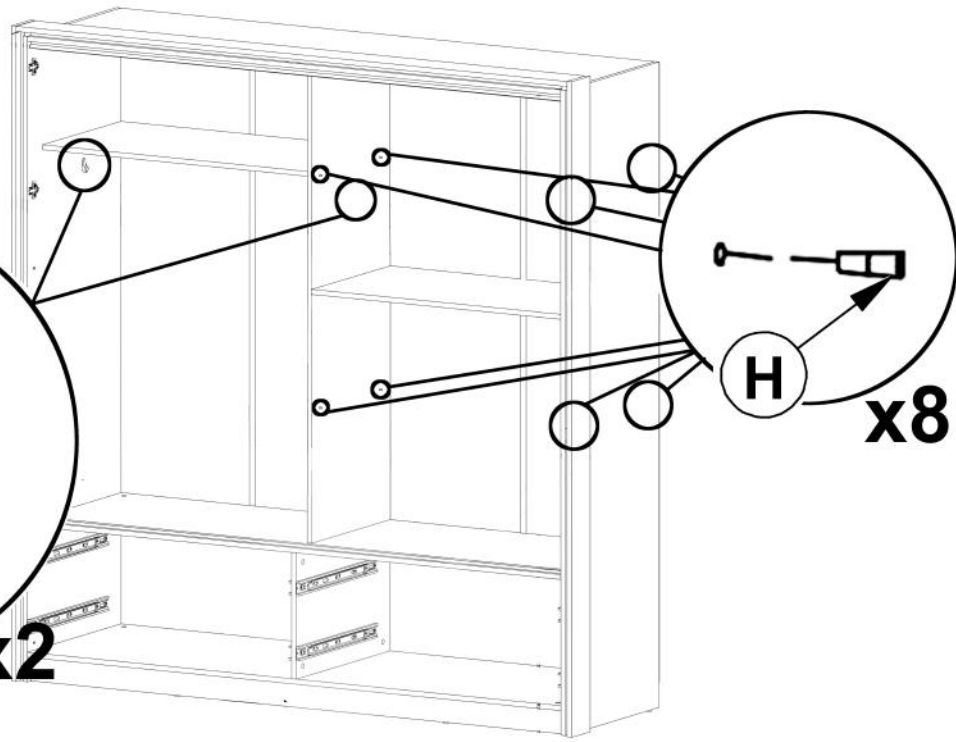
F1
2 x
Rod Holder

C4
2 x
Gold/Silver
Ø4x16

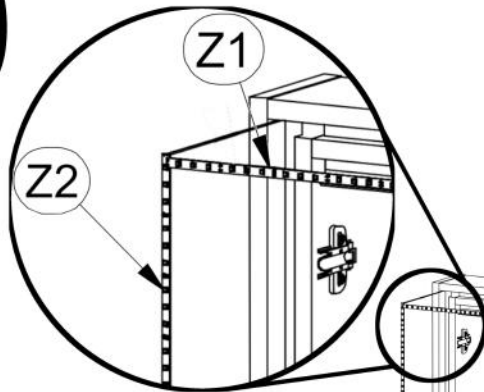


x2

H
x8



19



LED Strips

F

Z2

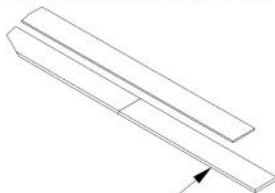
Z1

13

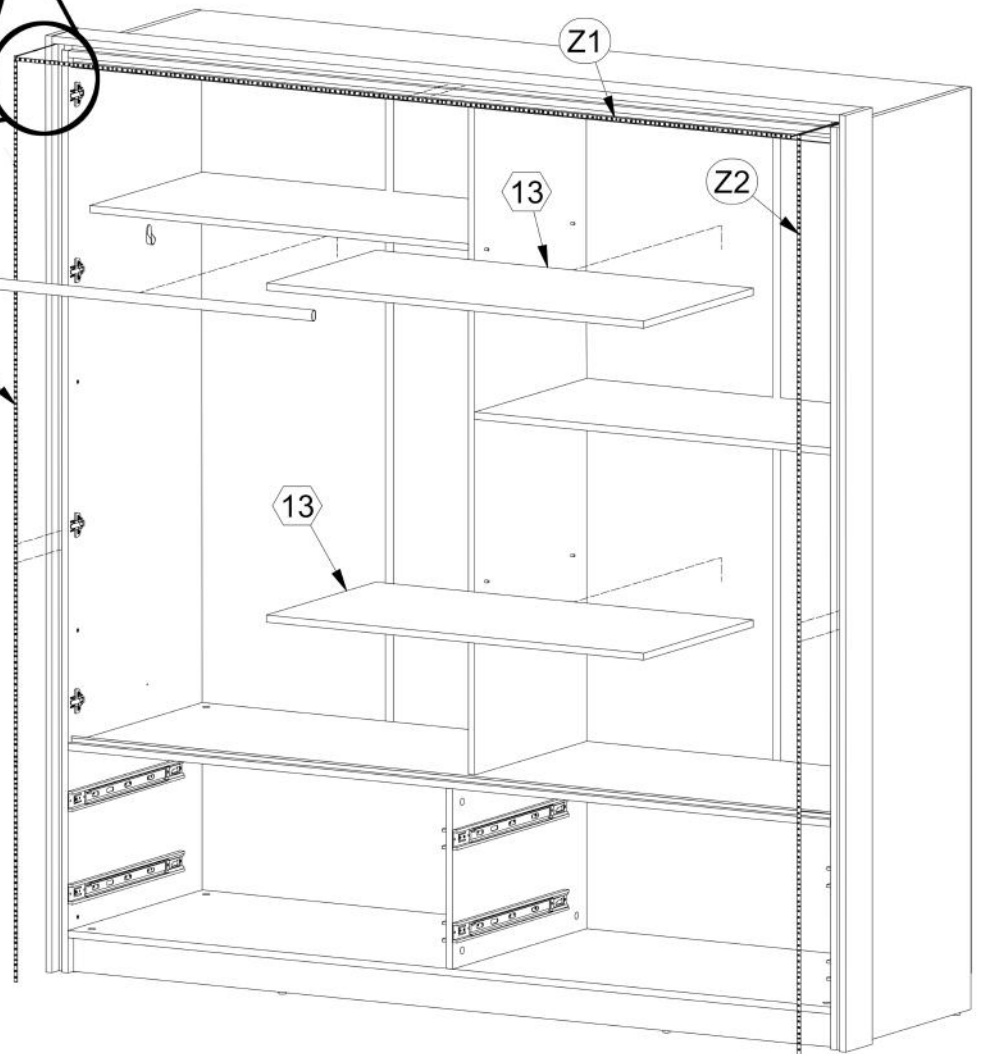
Z2

13

Expose Adhesive Strip



Z1, Z2



20

C
12x

C4
16x

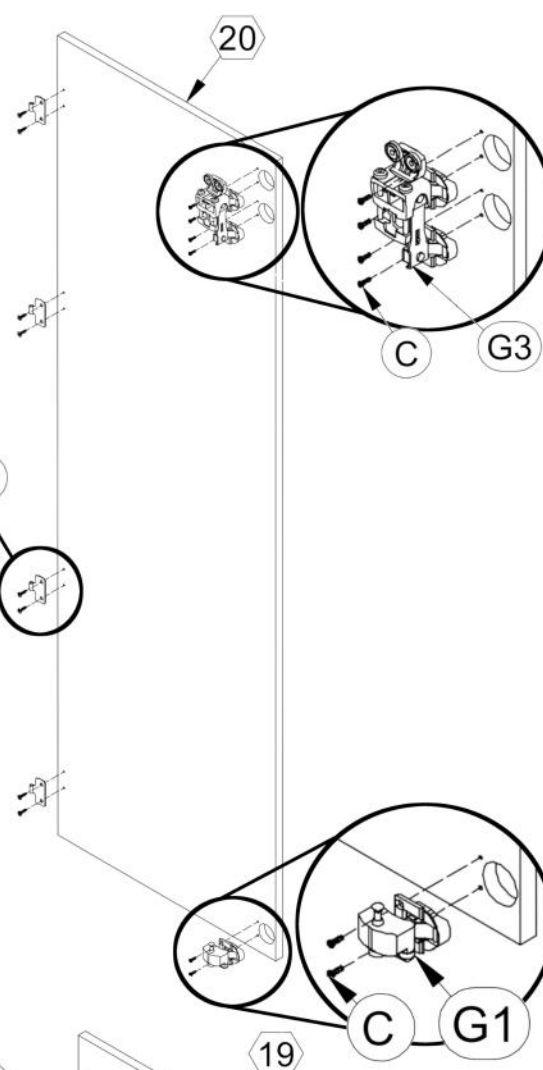
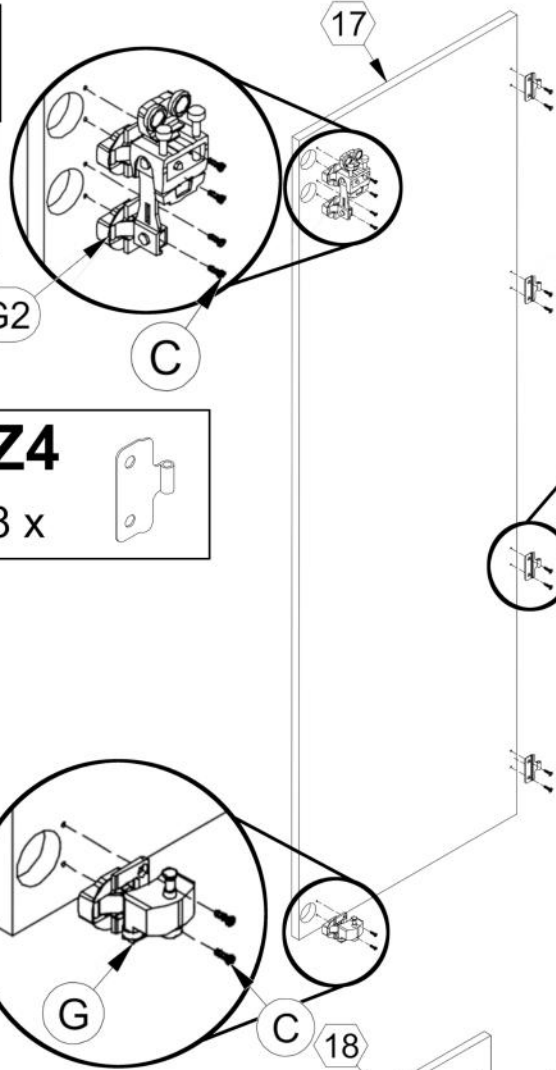
G2
1x

G3
1x

Z4
8x

G
1x

G1
1x



21

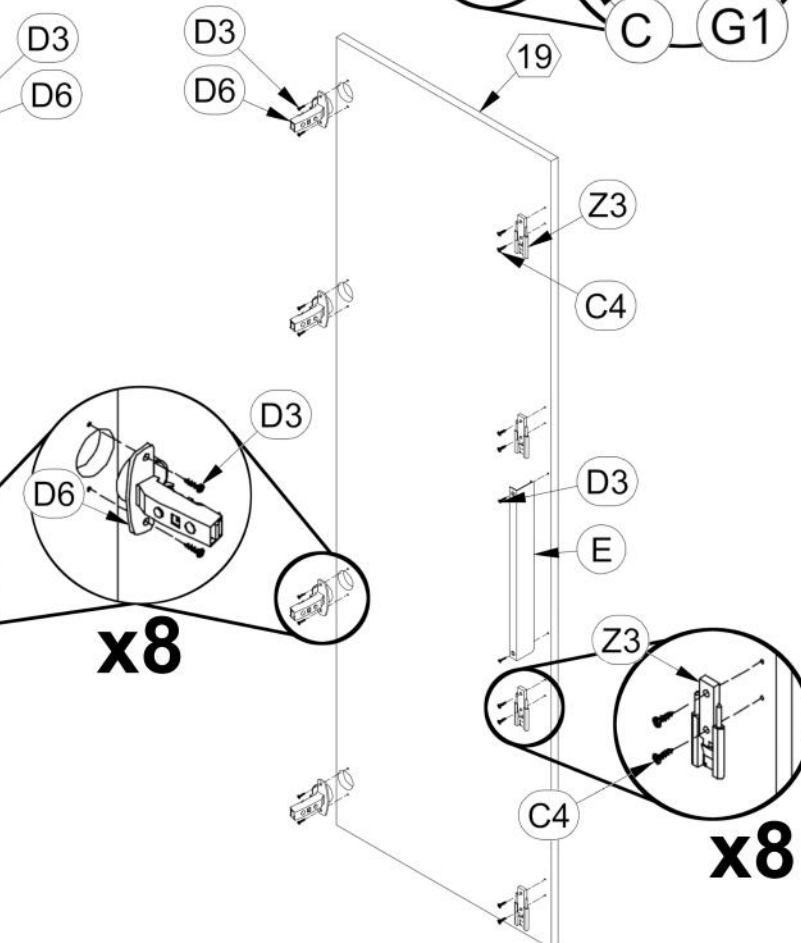
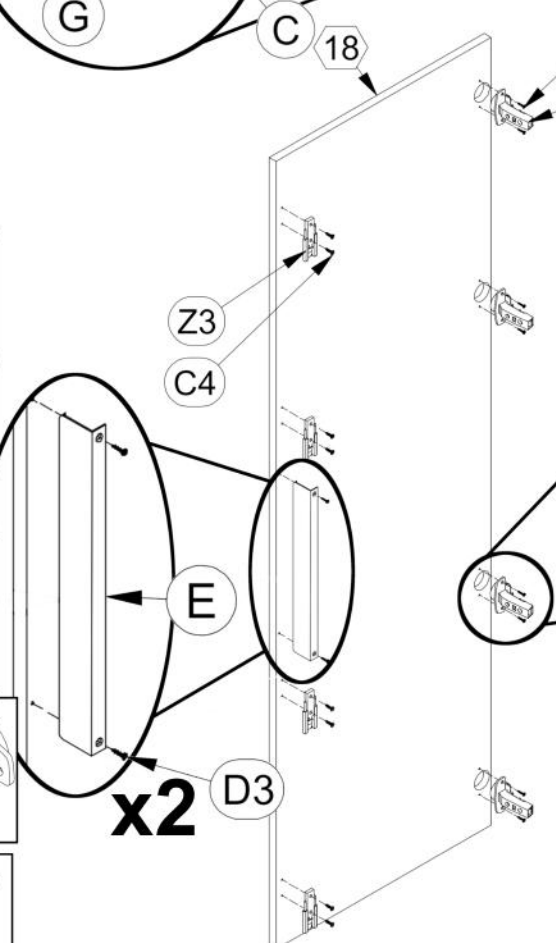
C4
16x

Z3
8x

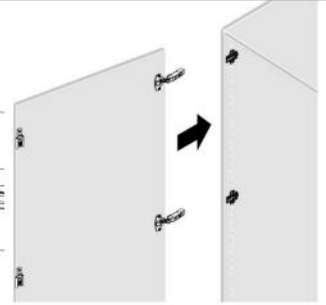
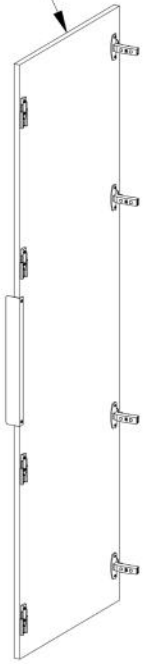
D3
20x

D6
8x

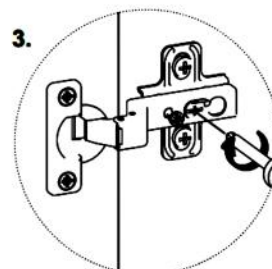
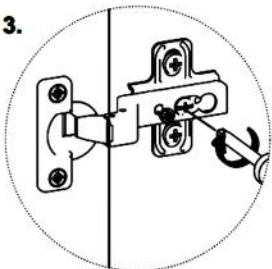
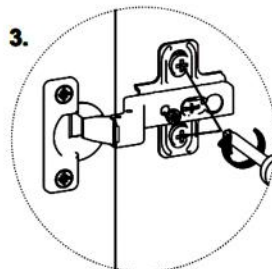
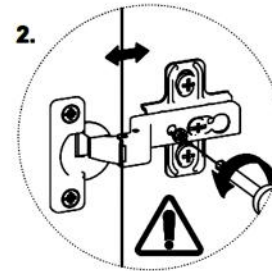
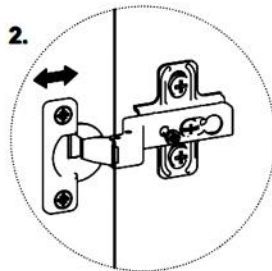
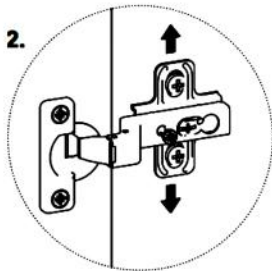
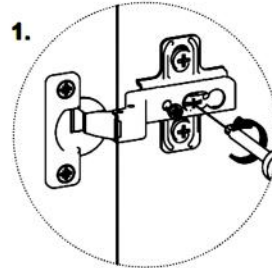
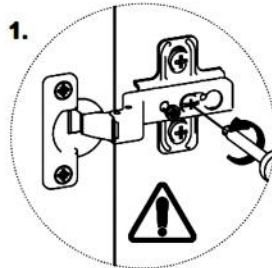
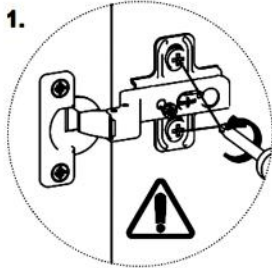
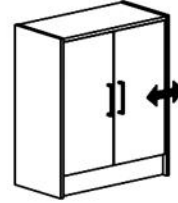
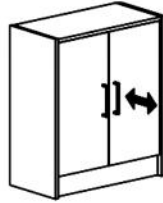
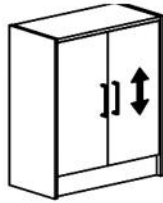
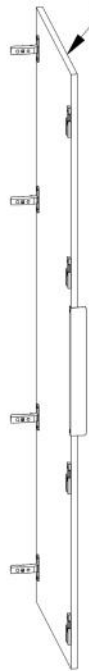
E
2x
handles



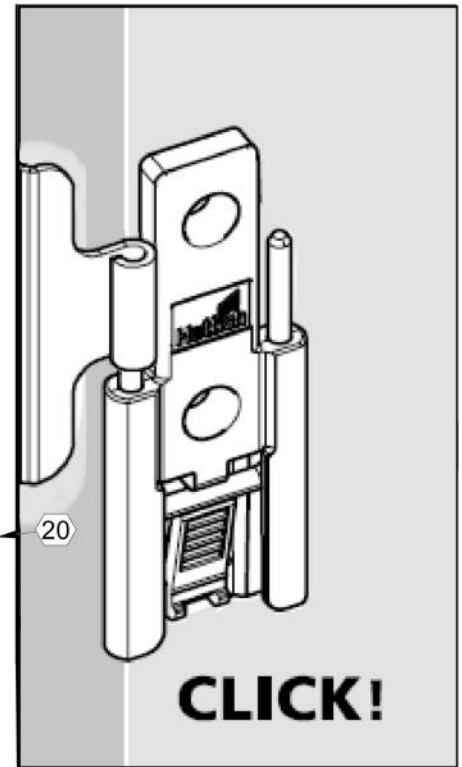
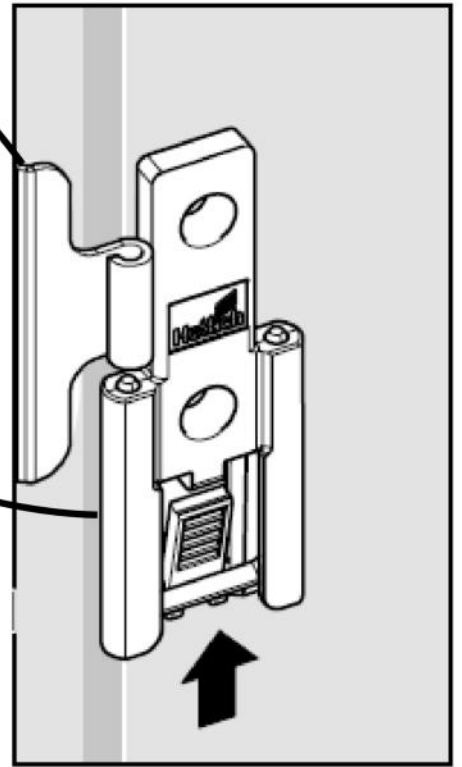
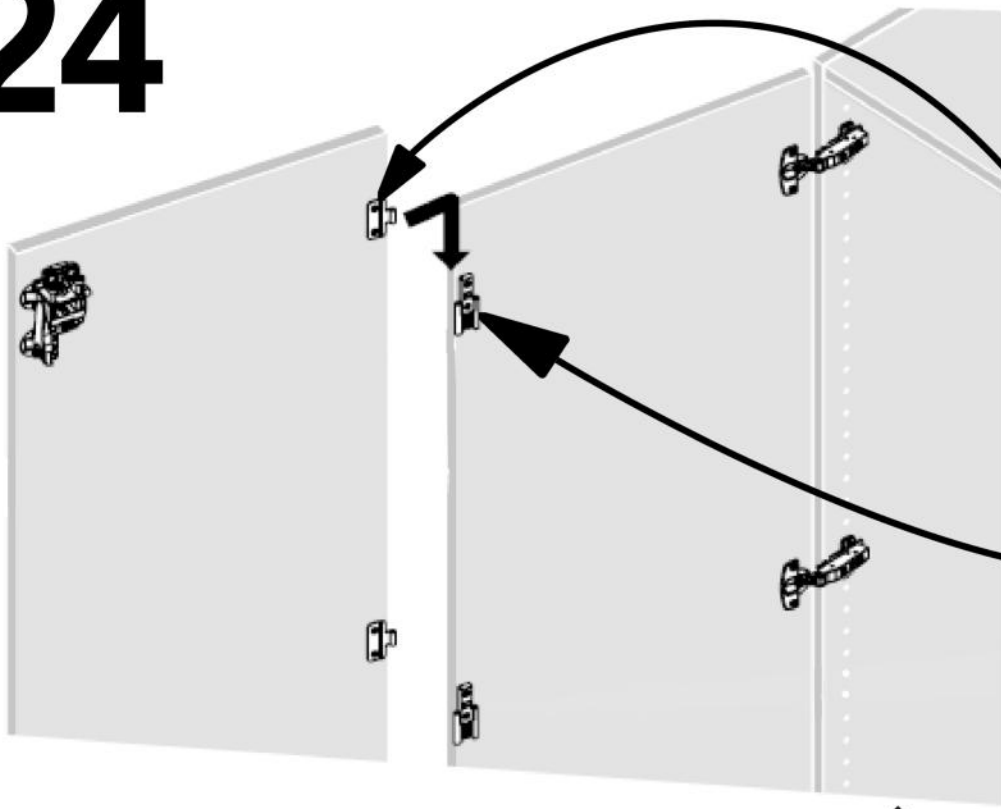
18



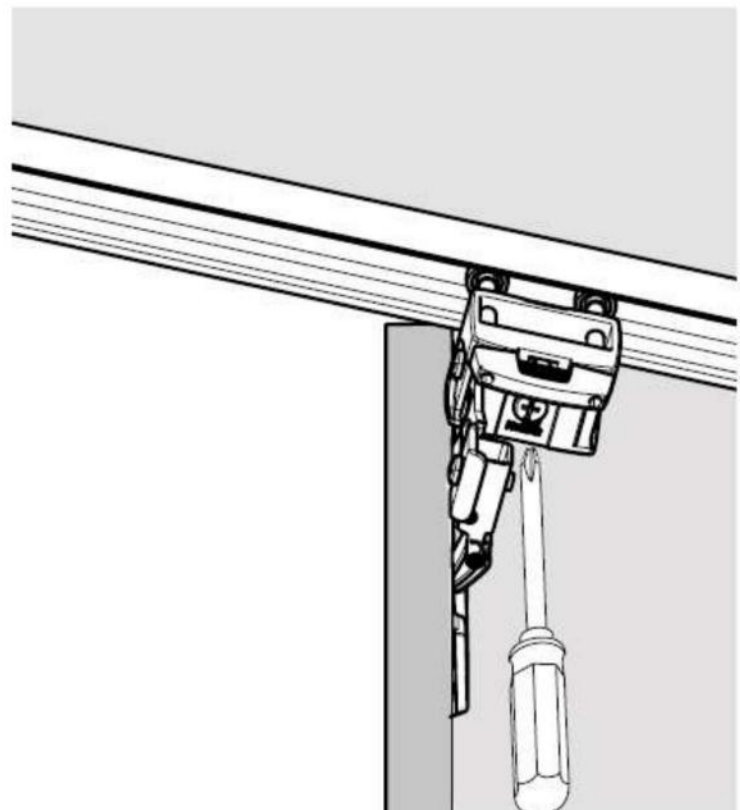
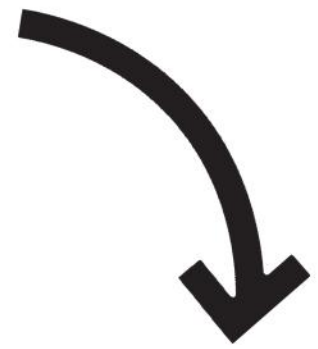
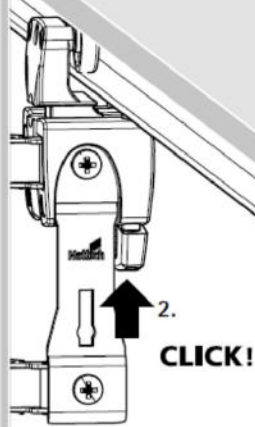
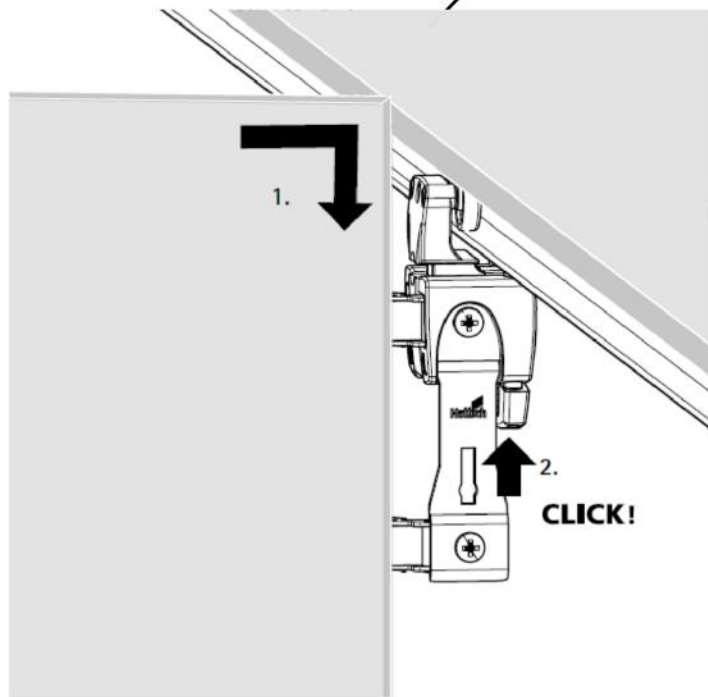
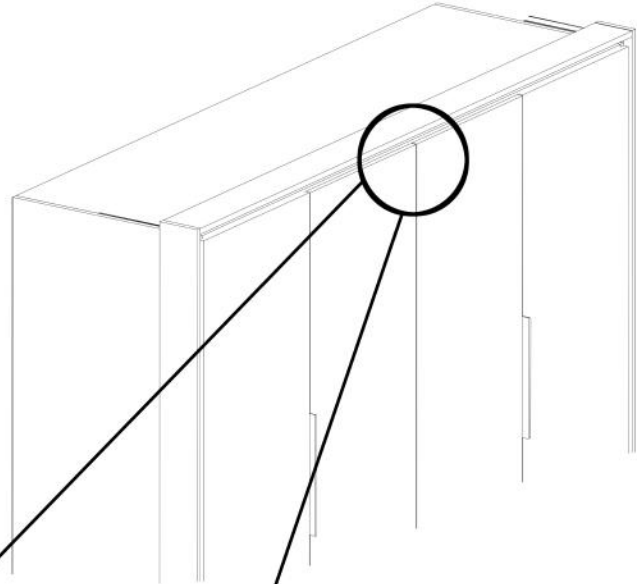
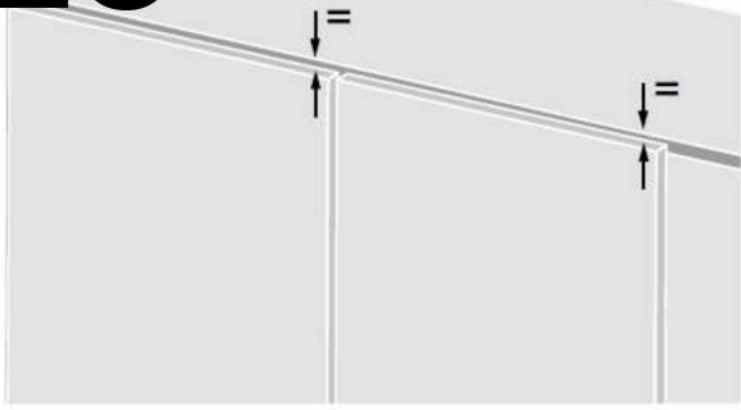
19



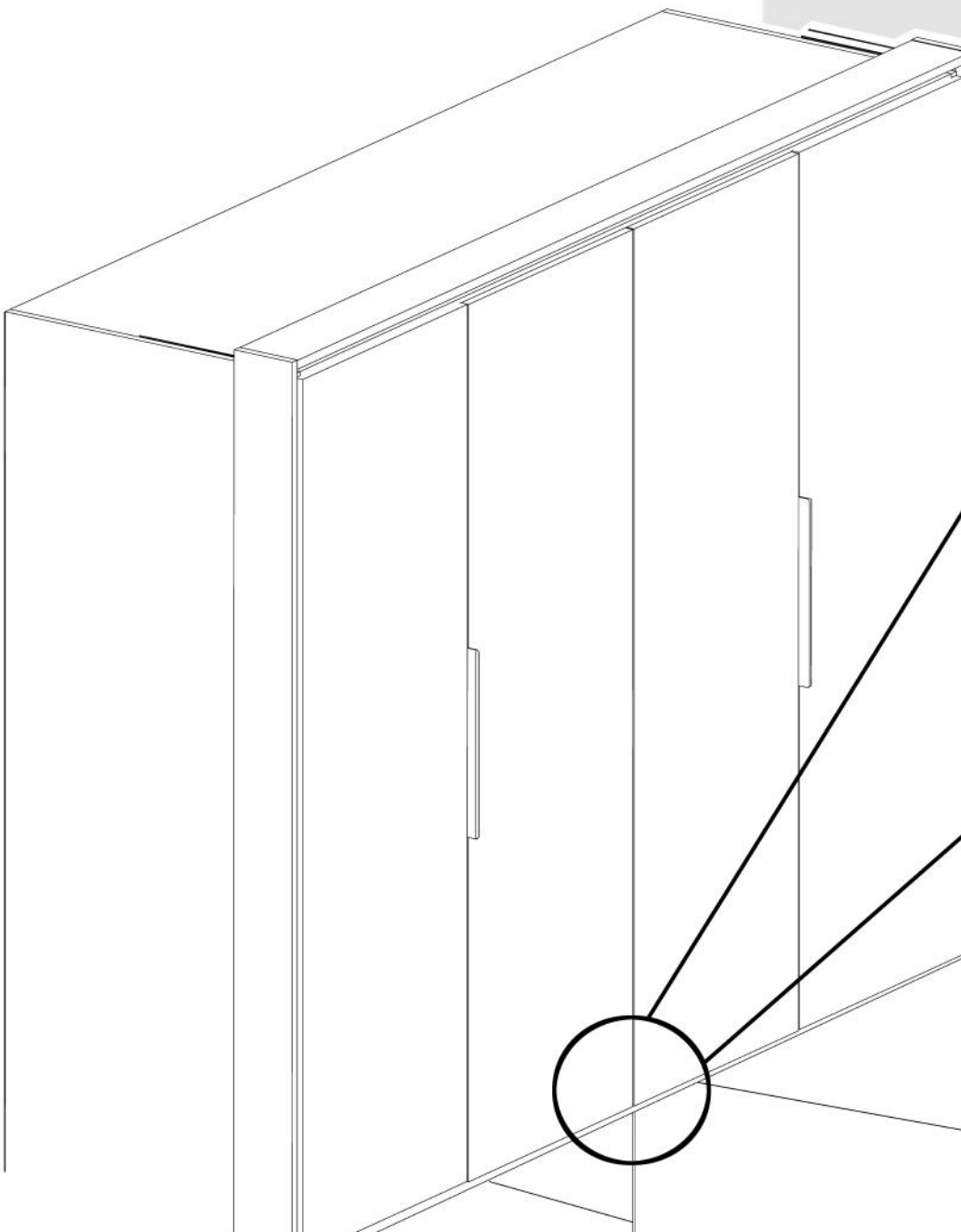
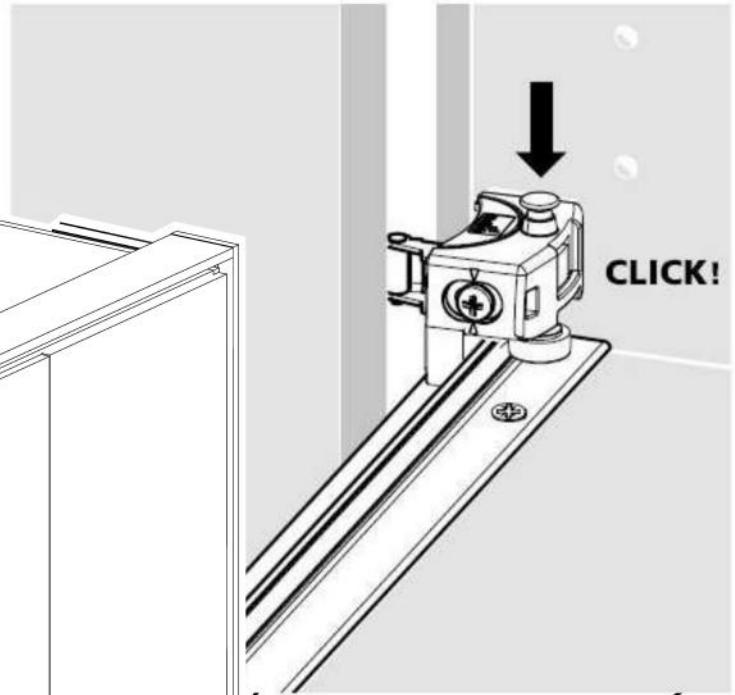
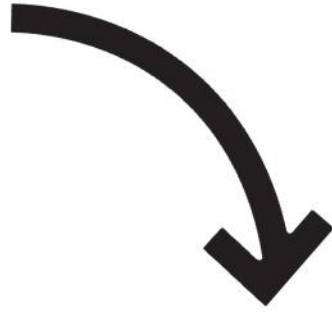
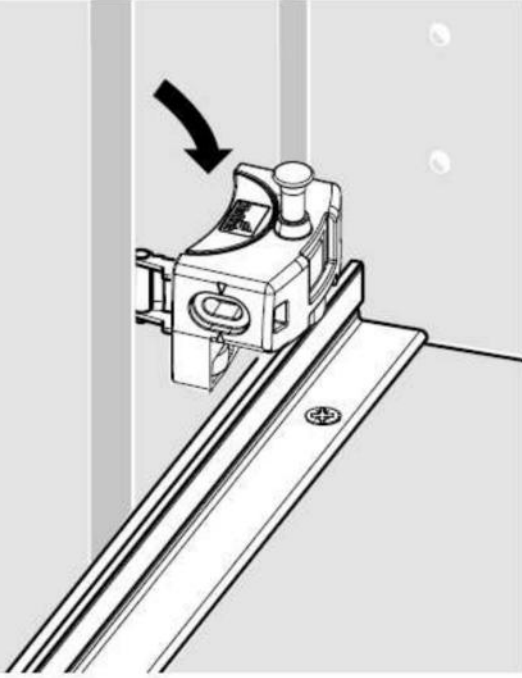
24



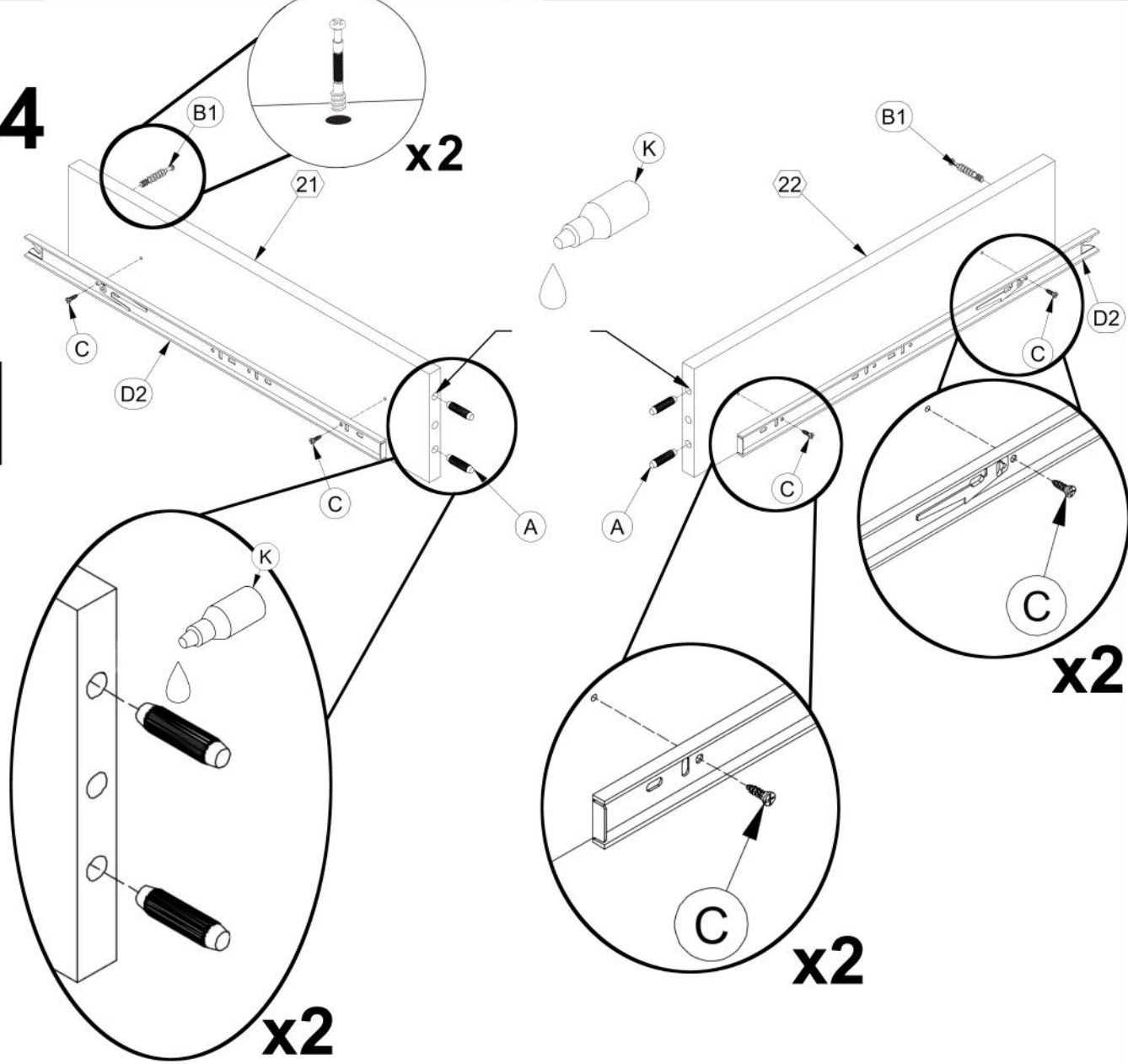
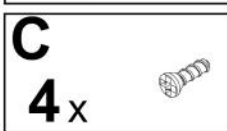
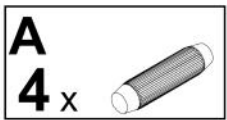
25



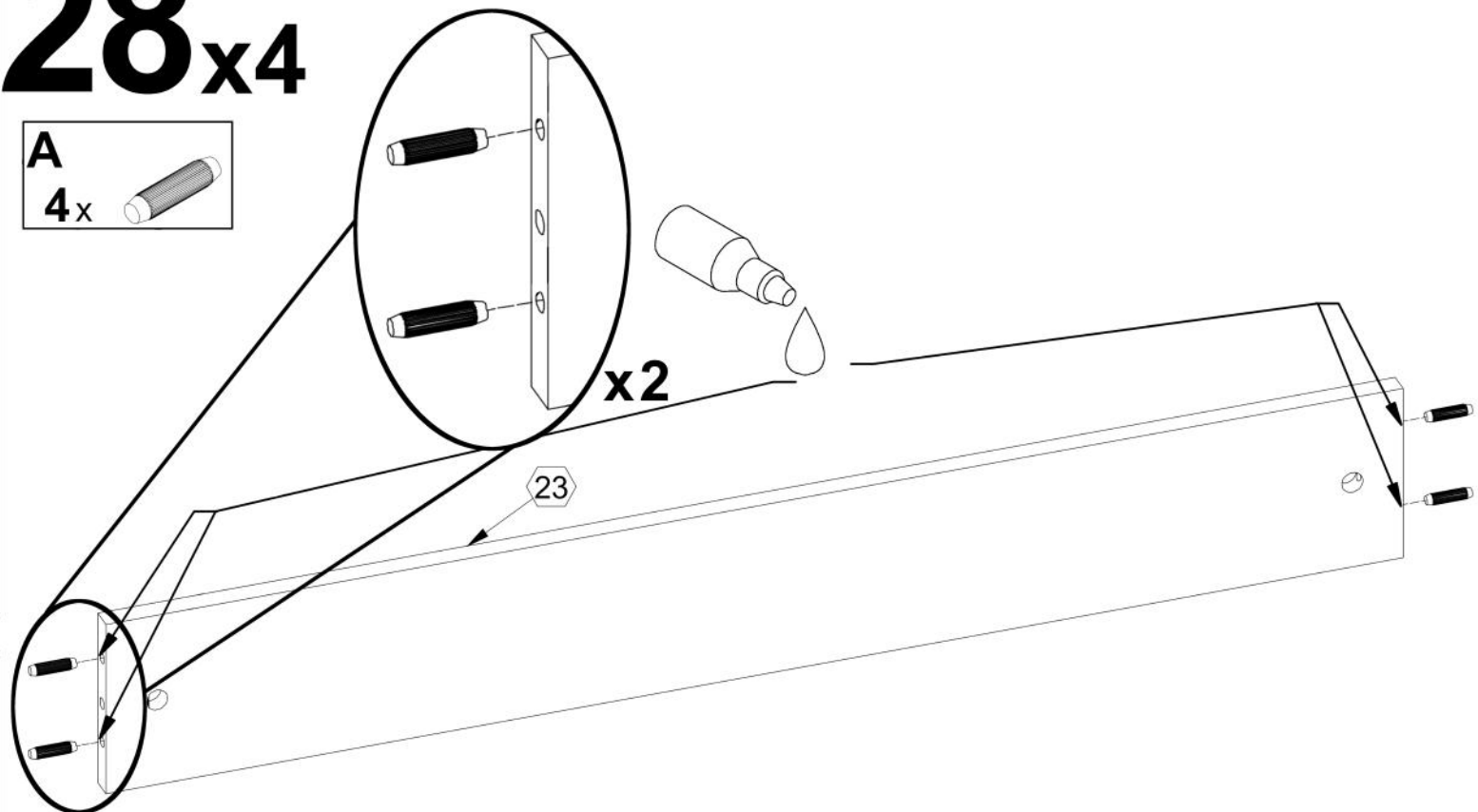
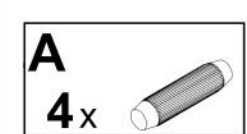
26



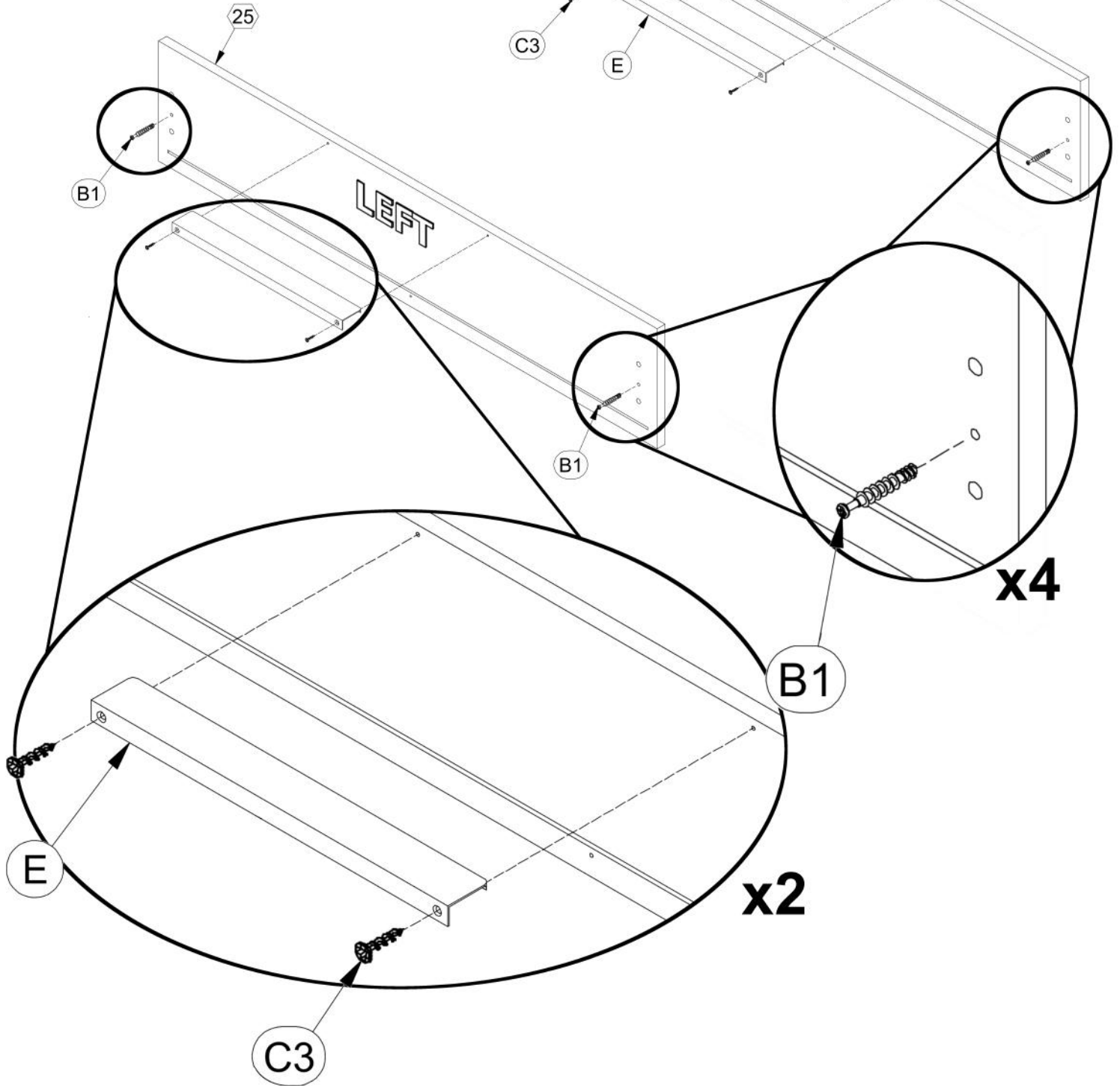
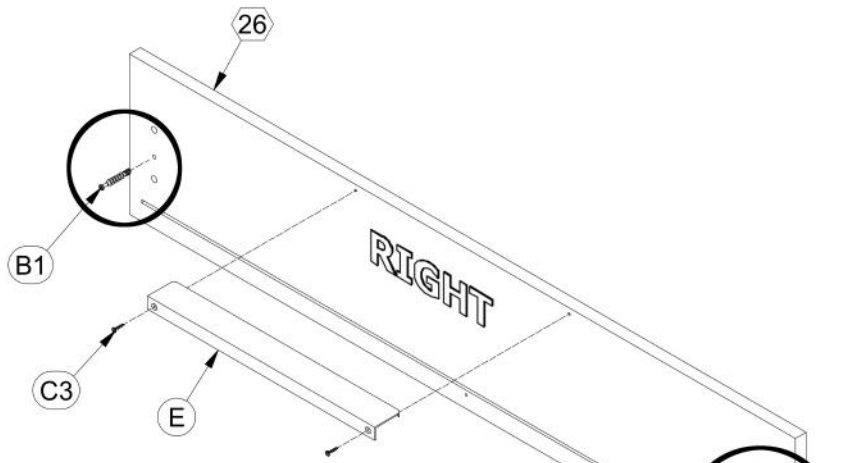
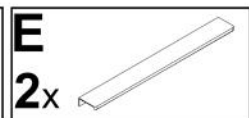
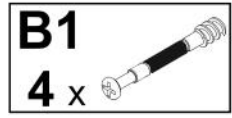
27x4



28x4



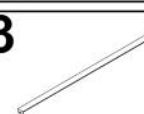


29_{x2}



31_{x4}

X=X

C4 20 X		C3 2 X	
H3 1 X		C5 20 X	