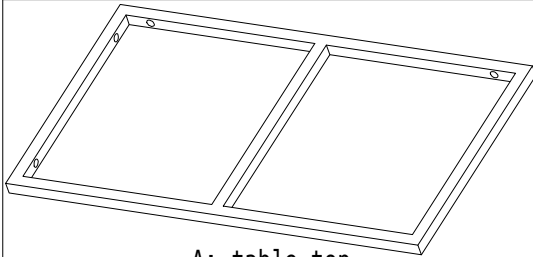
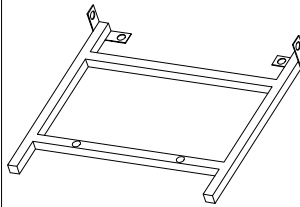


# 2-Layer Coffee Table

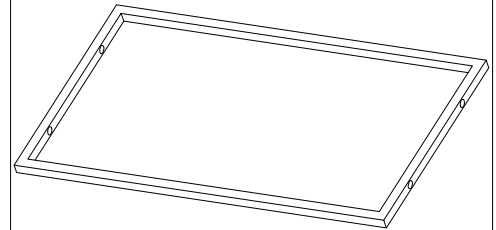
- a. Opening, please check the parts. In case of broken glass, please avoid scratching your fingers! Any defect or missing, contact us in time.
- b. Advisable to assemble on the mat to avoid wear and tear. Avoid all sharp objects touching the product surface. Do not allow the children to play around.
- c. Do not tighten all screws entirely until assemble is completed. Power tools are available, don't over-tighten for strip threads.



A: table top  
1 pcs



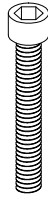
B: table leg  
2 pcs



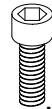
C: table shelf  
1 pcs



S: shim  $\varnothing 16 \times 6.4 \times 1$   
12 pcs



T: screw M6\*35mm  
4 pcs



V: screw M6\*15mm  
8 pcs



Inner hexagon spanner  
1 pcs

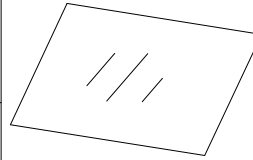
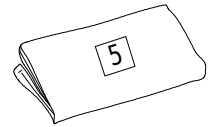


table glass  
1 pcs



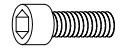
furniture cover  
1 pcs

## Step 1

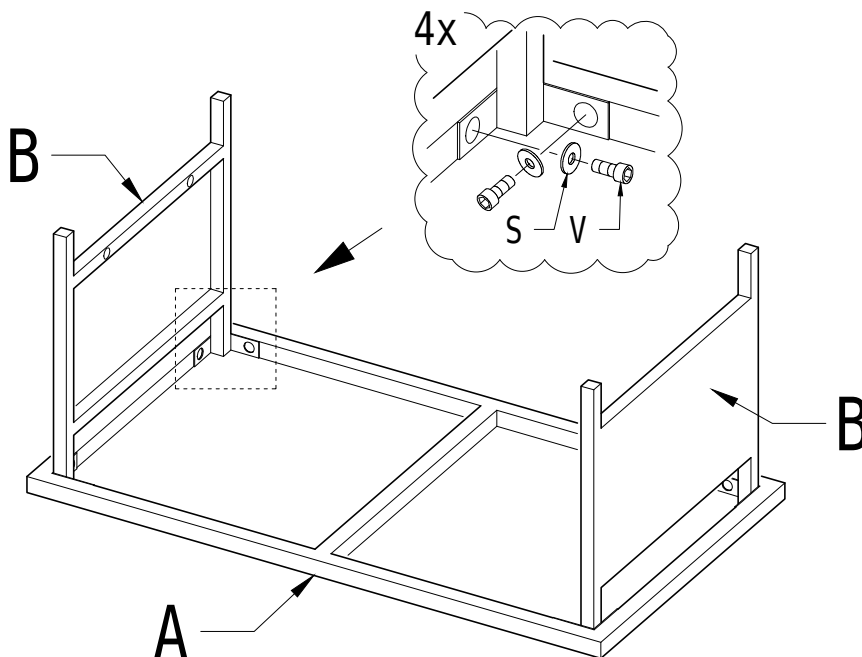
A x 1, B x 2



S: shim  $\varnothing 16 \times 6.4 \times 1$   
8 pcs



V: screw M6\*15mm  
8 pcs



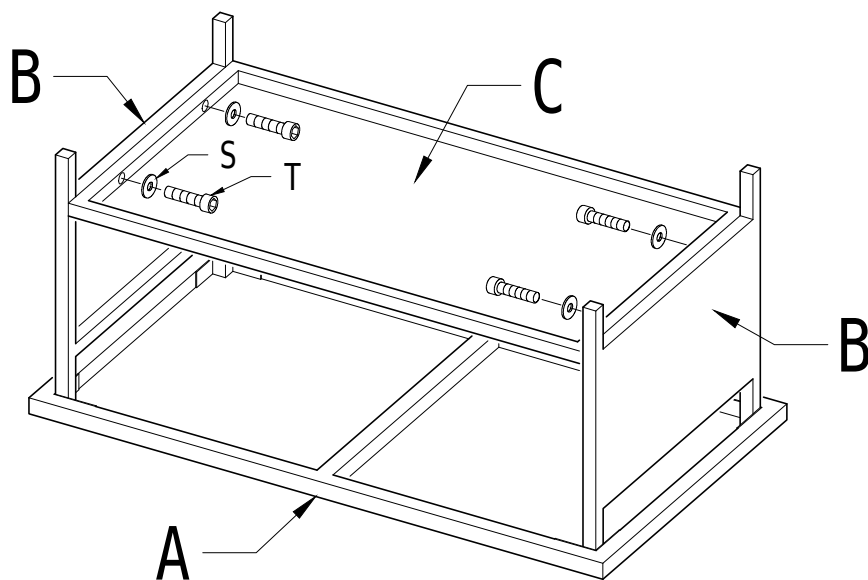
1

# Step 2

C x 1



S: shim  $\varnothing 16 \times 6.4 \times 1$     T: screw M6\*35mm  
4 pcs                                    4 pcs



# Step 3

