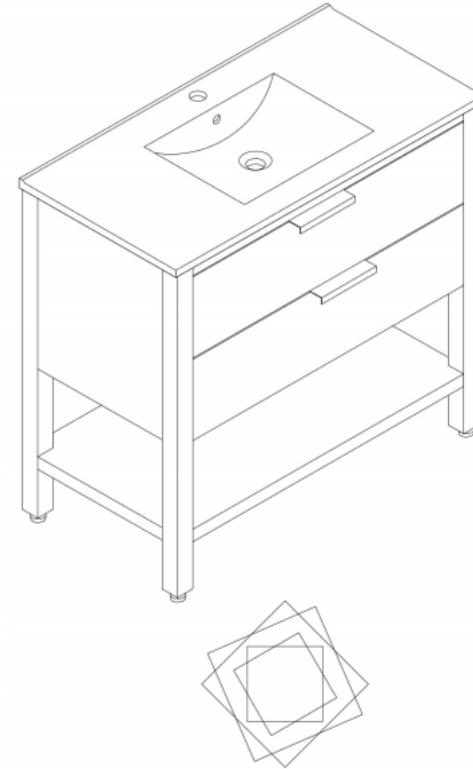


Installation Manual-01030

MOTIVATE
YOUR LIFE !

THANKS FOR WATCHING

Your feedback is invaluable to us and we would love to hear about your experience. Please take the time to leave us a review.


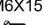







Thank you for shopping with us!

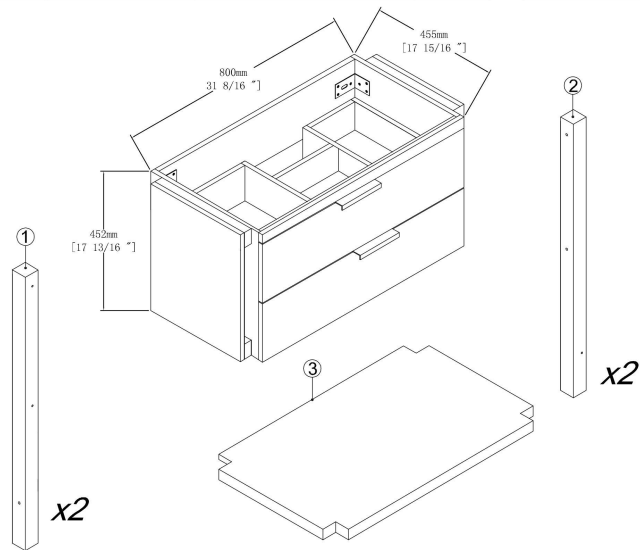
We encourage you to take a few minutes to go through this booklet. It contains important information on installation and care tips to keep your furniture looking as good as new.

Item NO.:BV B01036

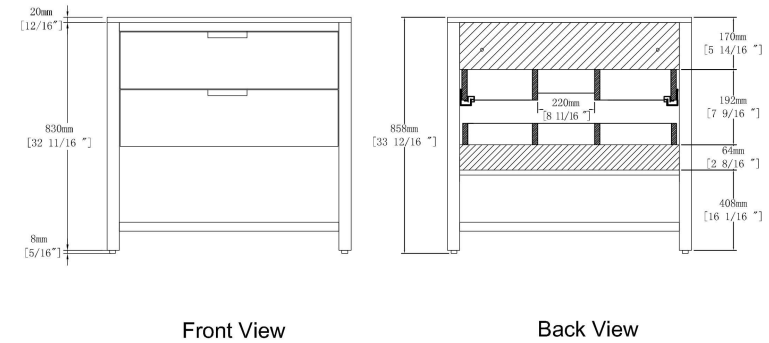
Hardware

NO.	Description		QTY
A	M6X30 	Screws M6x30mm	8
B	M6X15 	Screws M6x15mm	8
C		Adjustable feet M6x20mm	4
D		Shelf Support (32*32*25mm)	4
E		Screws for fix on the wall M5.5x60	2
F		Sticker	8
G		Expansion Bolts	2

Tools



Dimensions



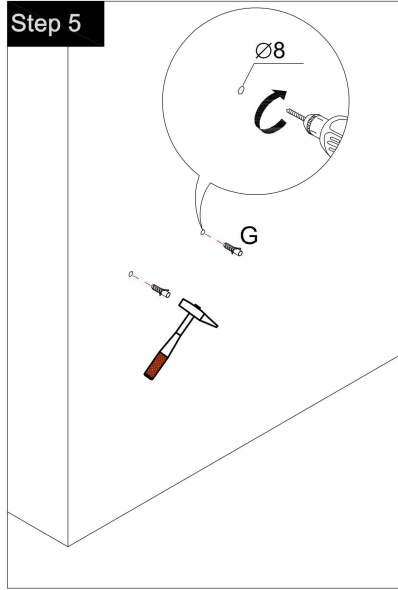
Front View

Back View

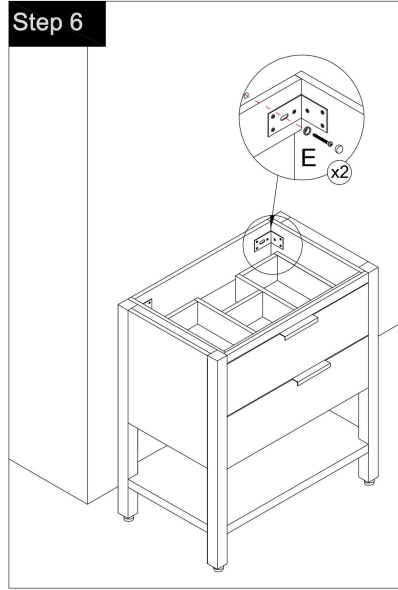
CARE CLEANING AND MAINTENANCE

1. Dust regularly with a soft , dry cloth .
2. Avoid the use of all chemicals household cleaners, abrasives, or cleaners that contain lemon, vinegar, or other acids that may damage the finish.
3. Excessive exposure to sunlight and extreme changes in temperature and moisture can damage wood furniture .
4. The sink top is resilient, but care needs to be taken to preserve its appearance.
5. Do not place hot appliances, such as curling irons and hot hair dryers directly on the countertop. Wipe spills immediately.

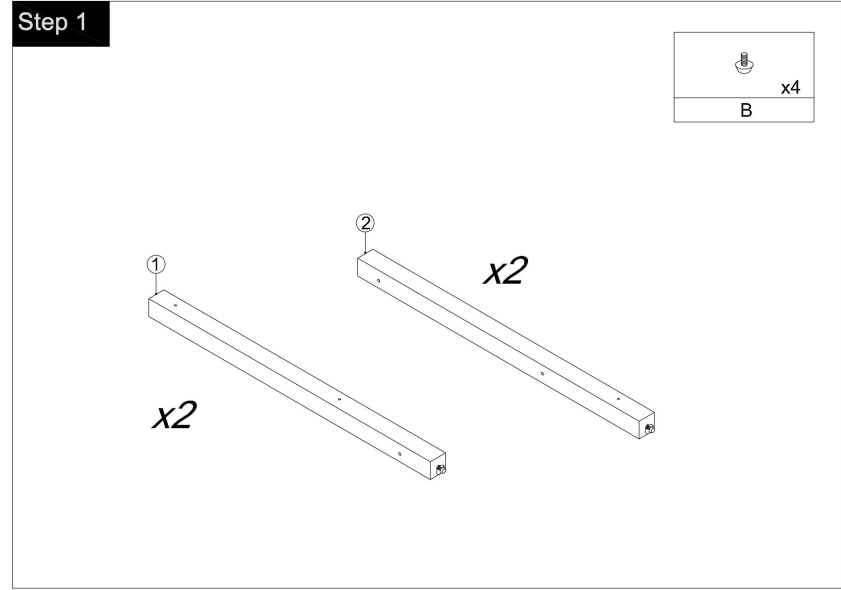
Step 5



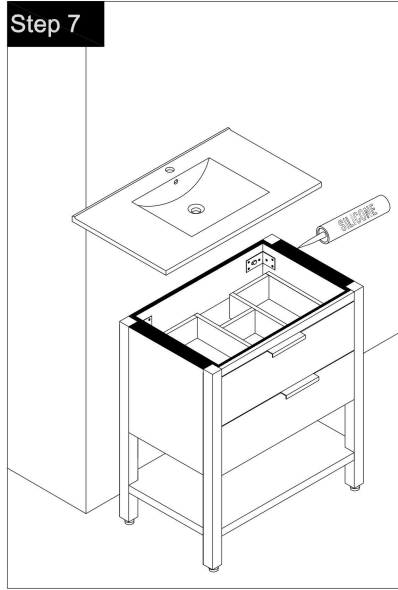
Step 6



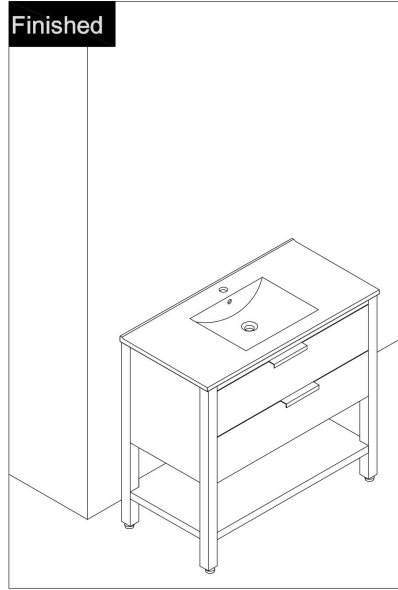
Step 1



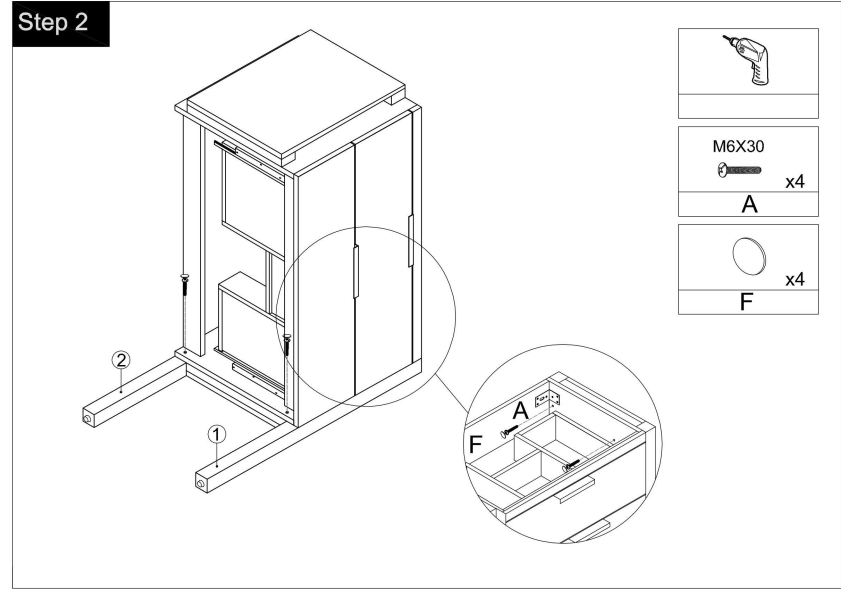
Step 7



Finished



Step 2

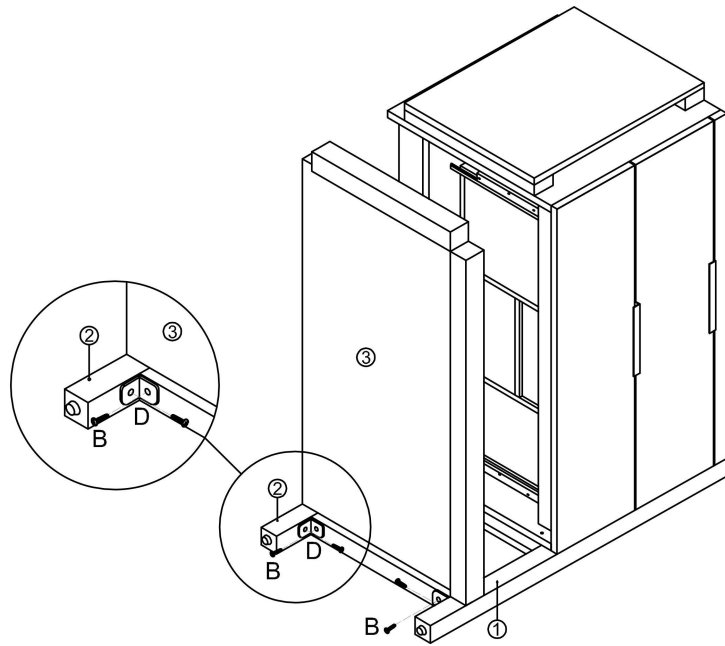


Step 3



M6X15
x4
B

x2
D



Step 4



M6X30
x4
A

x4
F

M6X15
x4
B

x2
D

