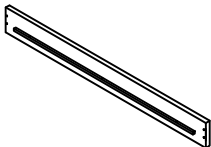
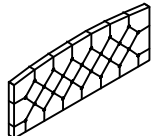

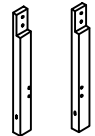
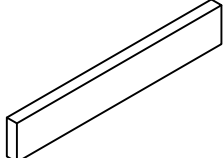
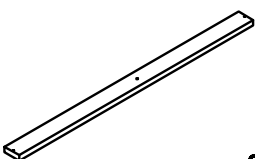


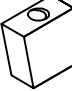

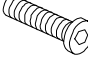
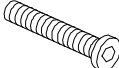
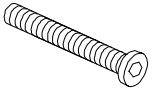
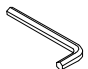

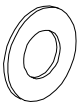
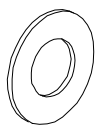
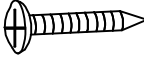
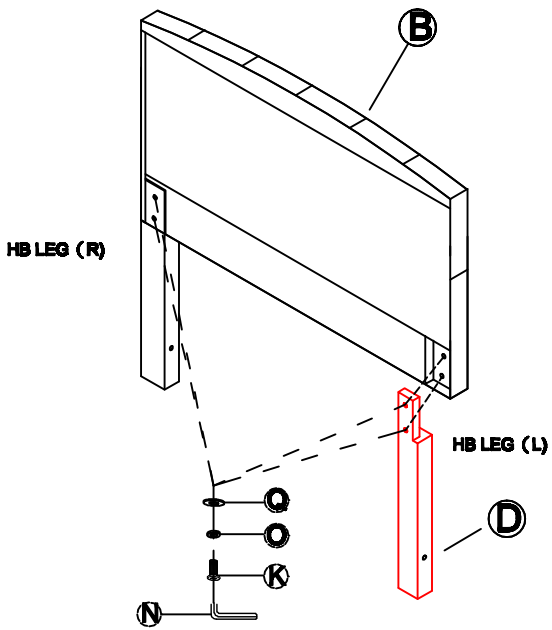


ASSEMBLY INSTRUCTION

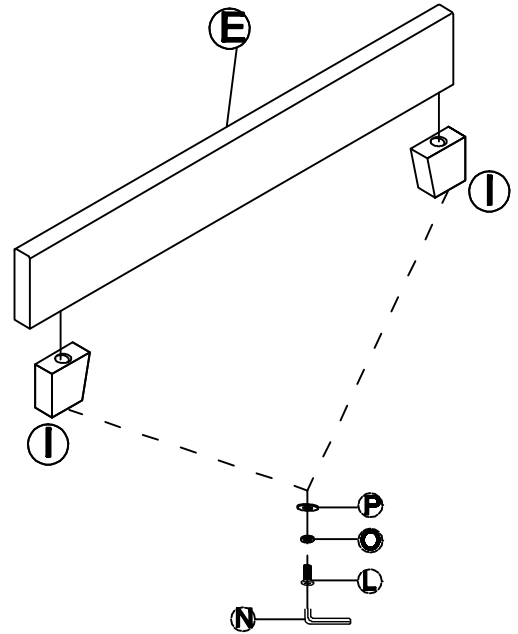
B002/B003/B004/B0005/B0006-Q

<p>A RAIL</p>  <p>2PCS</p>	<p>B HEADBOARD</p>  <p>1PC</p>	<p>C Wingback(L&R)</p>  <p>2PCS</p>	<p>D HB LEG (L&R)</p>  <p>2PCS</p>
<p>E FOOTBOARD</p>  <p>1PC</p>	<p>F WOOD SLAT</p>  <p>3PCS</p>	<p>G SUPPORT LEG</p>  <p>3PCS</p>	<p>H CONNECTION STRAP</p>  <p>4PCS</p>
<p>I FB FEET</p>  <p>2PCS</p>	<p>J BOLT $\frac{5}{16}$"x1"</p>  <p>16PCS</p>	<p>K BOLT $\frac{5}{16}$"x2"</p>  <p>8PCS</p>	<p>L BOLT $\frac{5}{16}$"x3"</p>  <p>2PCS</p>
<p>M BOLT $\frac{5}{16}$"x5"</p>  <p>2PCS</p>	<p>N ALLEN WRENCH 5MM</p>  <p>1PC</p>	<p>O LOCK WASHER 5/16"Ø12MM</p>  <p>28PCS</p>	<p>P FLAT WASHER 5/16"Ø19MM</p>  <p>18PCS</p>
<p>Q FLAT WASHER 5/16"Ø22MM</p>  <p>10PCS</p>	<p>R SCREW 8MMx1-3/4"</p>  <p>6PCS</p>		

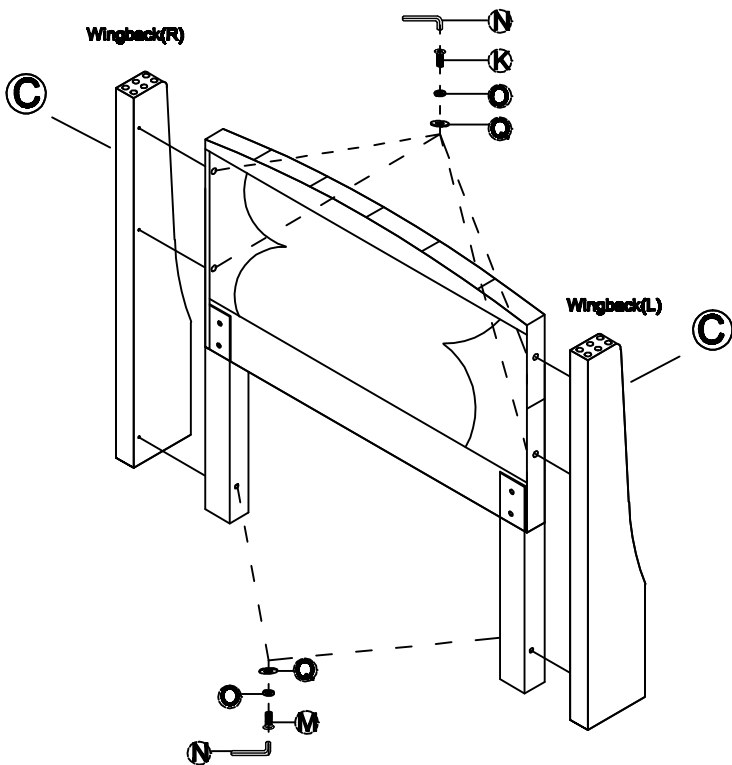
STEP 1



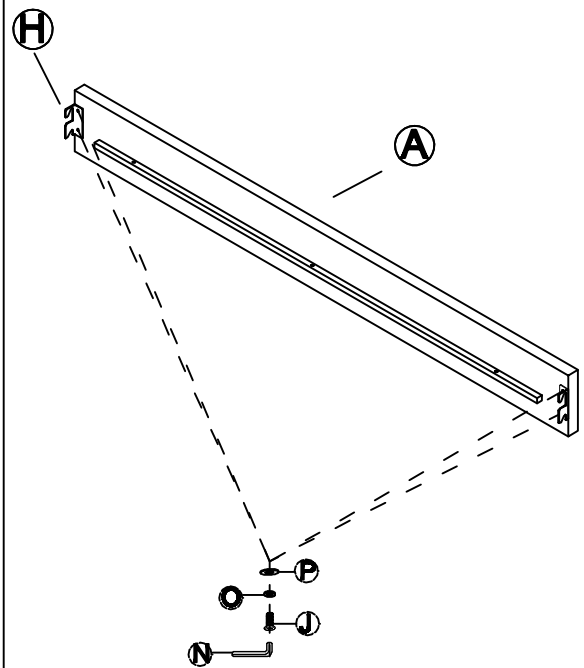
STEP 2



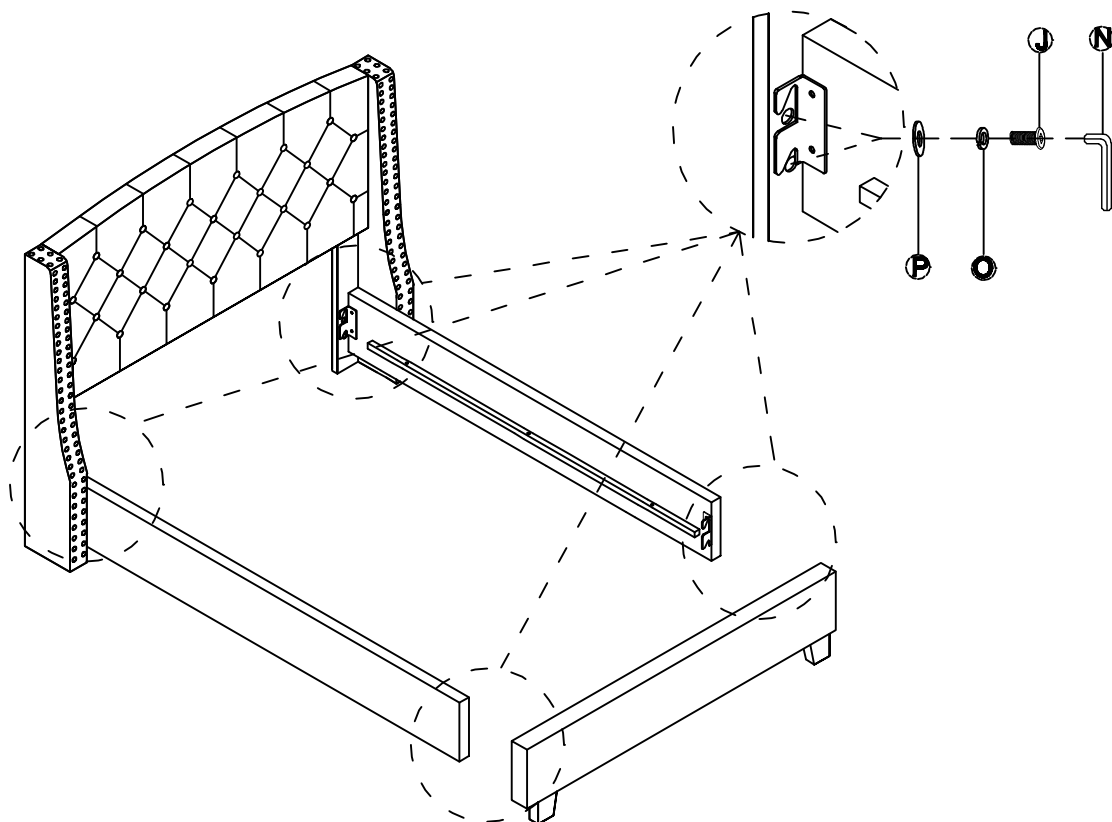
STEP 3



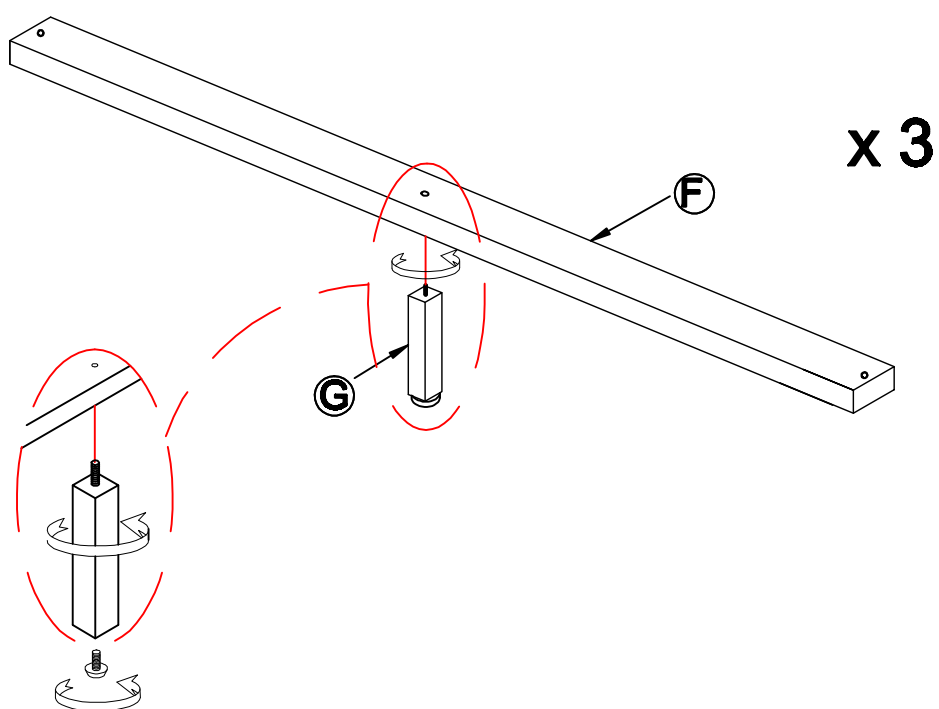
STEP 4



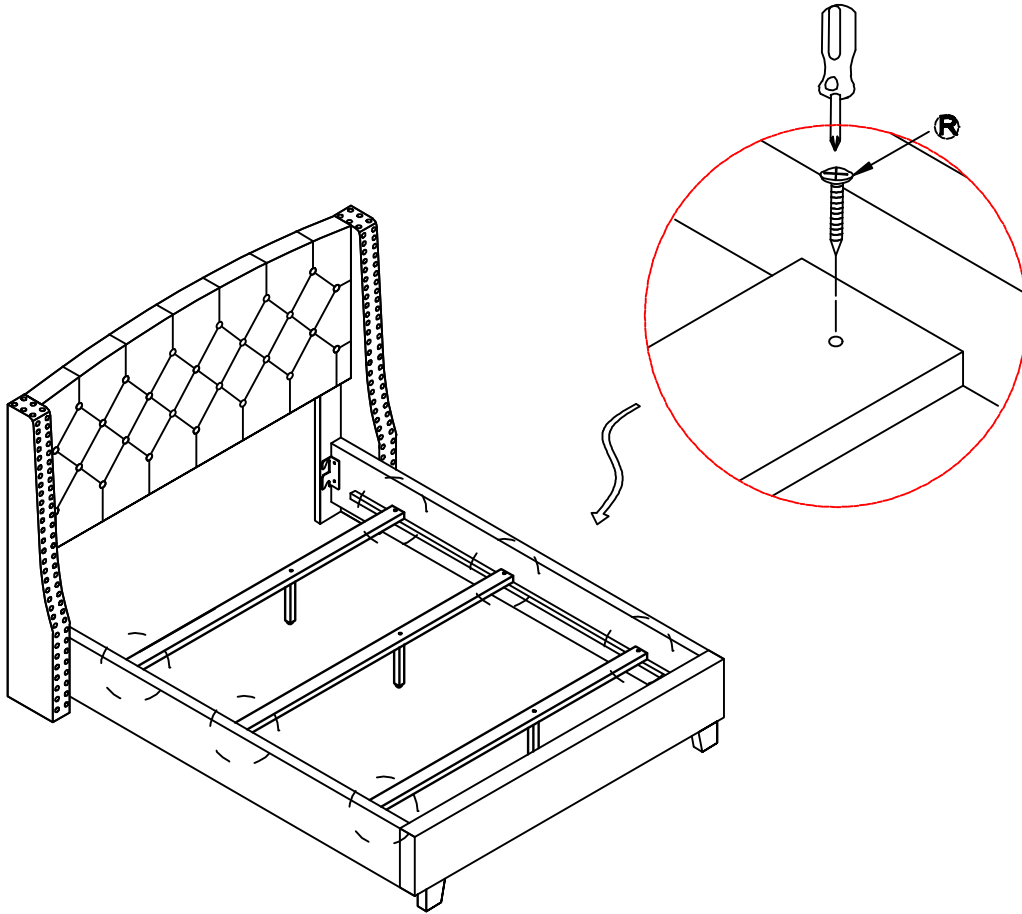
STEP 5



STEP 6



STEP 7



STEP 8

