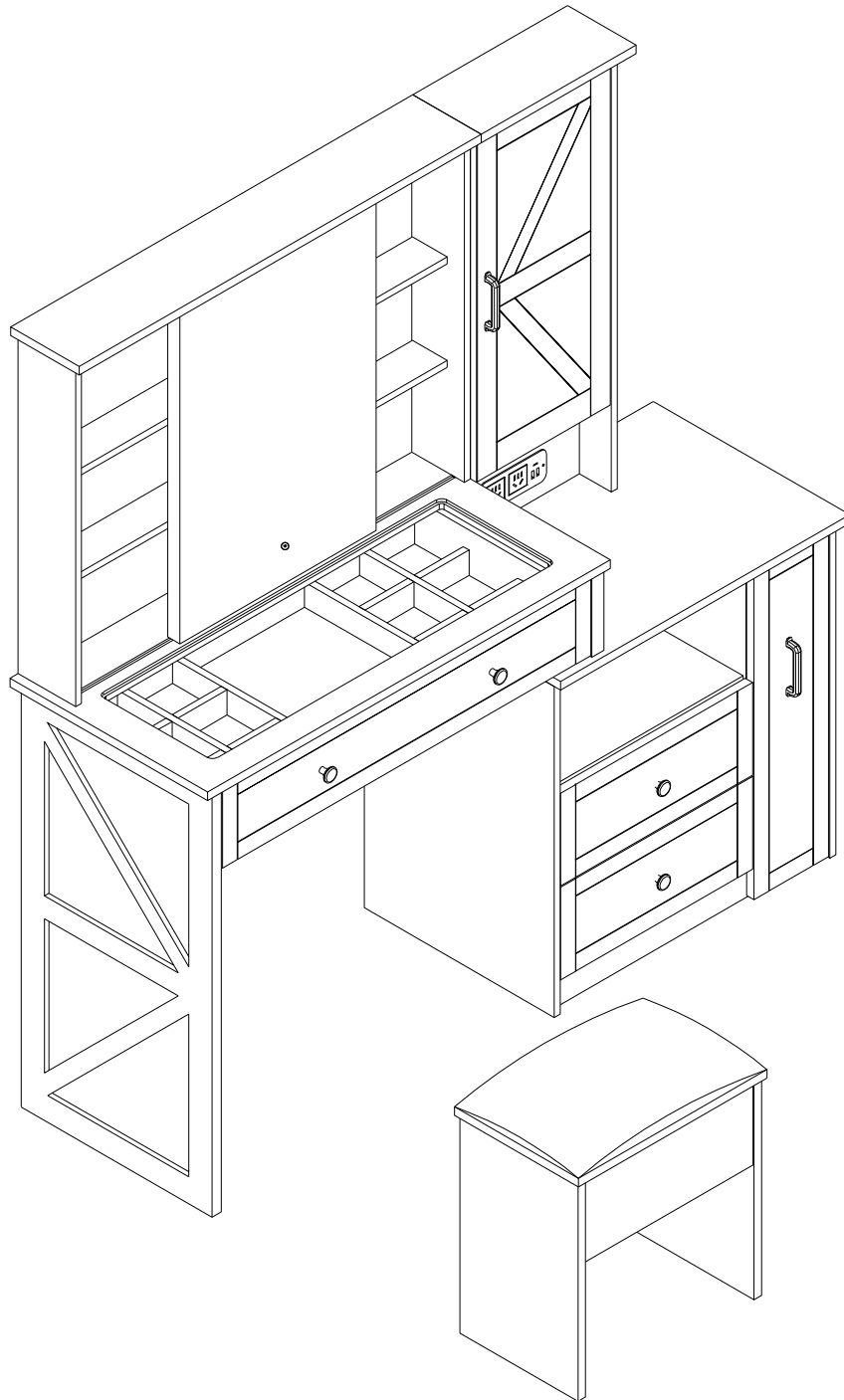
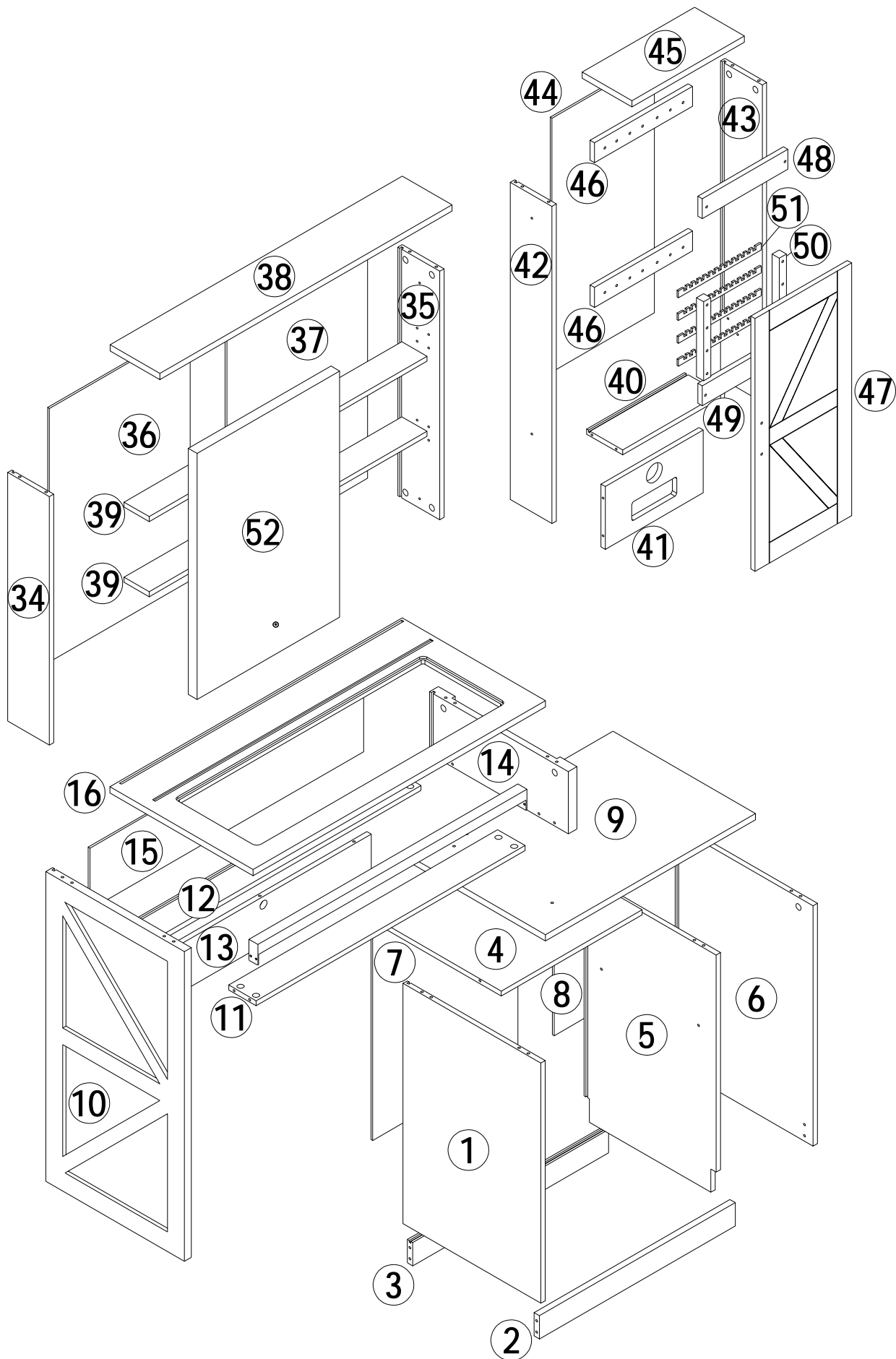
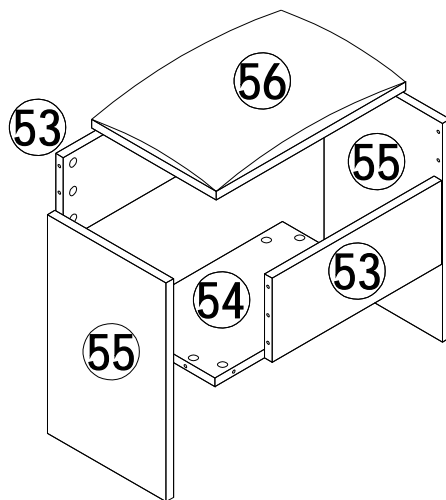
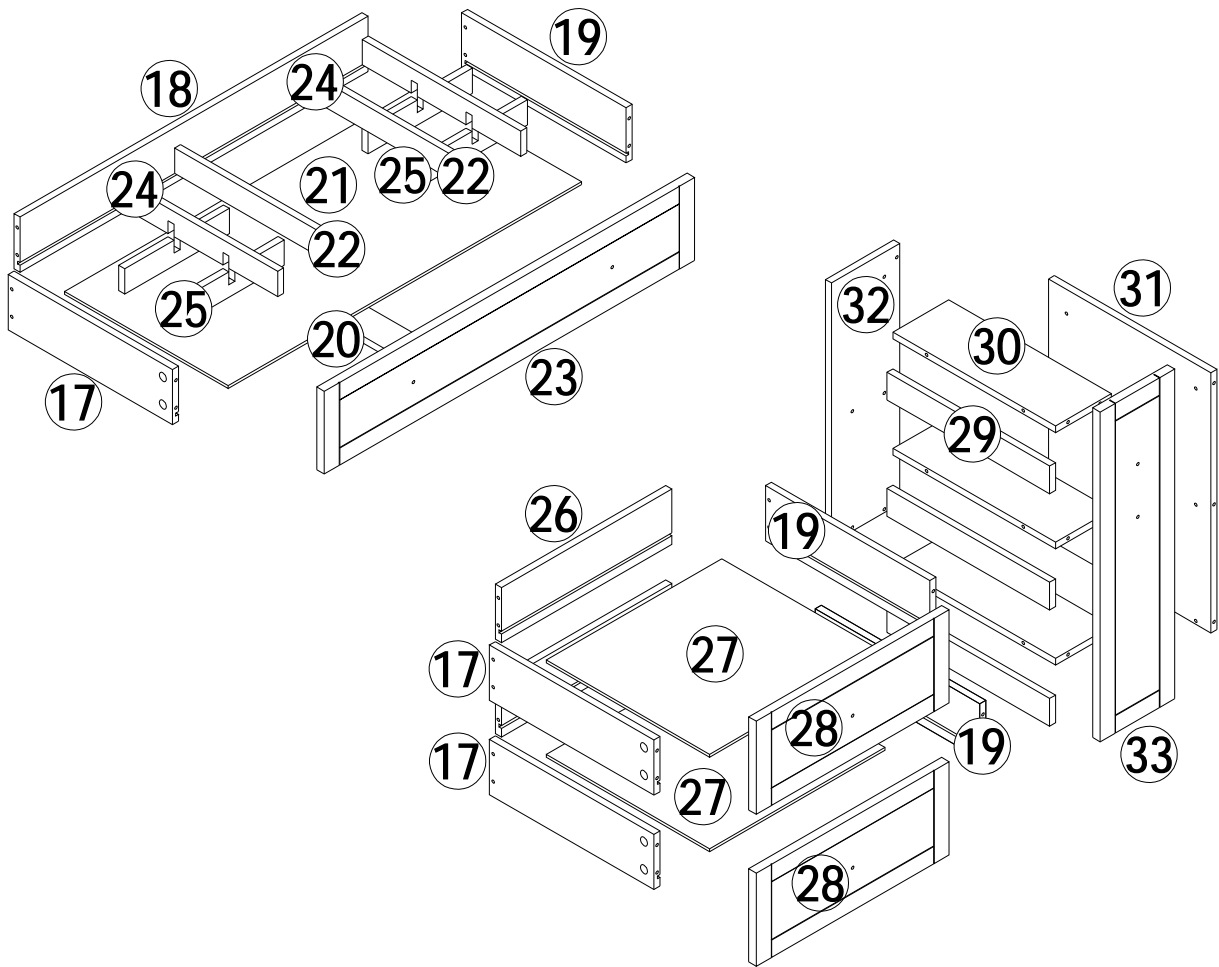



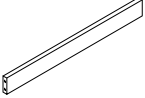

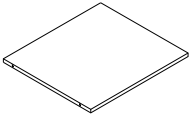

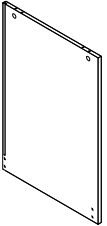
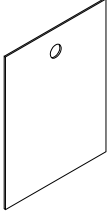

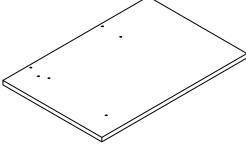
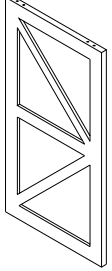
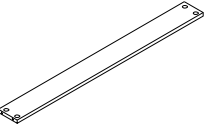
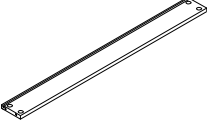
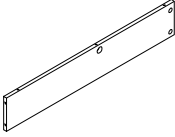
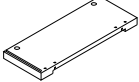
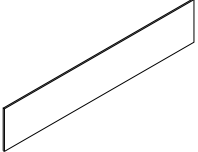
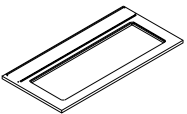
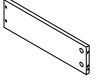
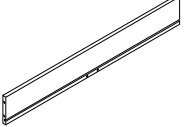
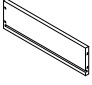
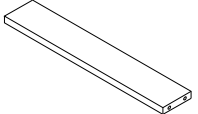
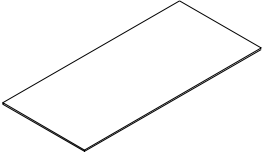
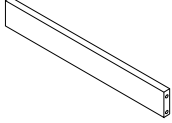
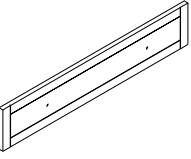
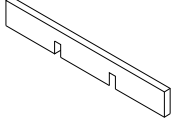
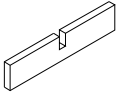
# Assembly Guide



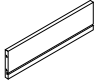
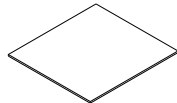
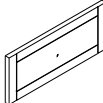
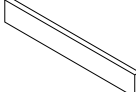
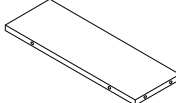
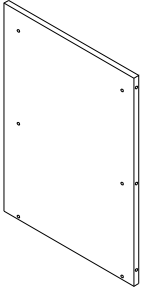

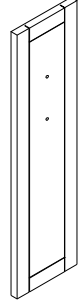


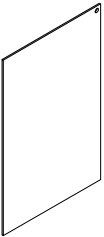

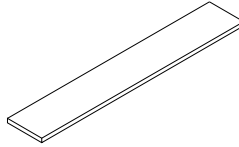
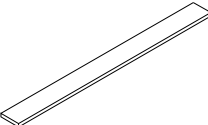
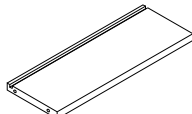
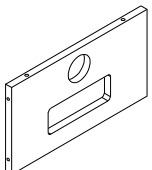


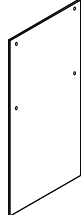
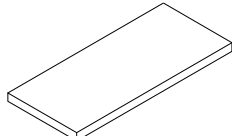
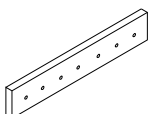
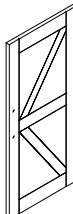
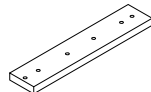
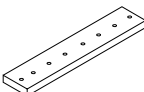





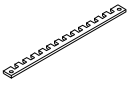
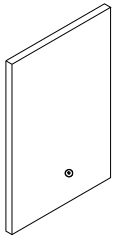
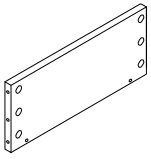
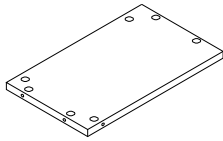
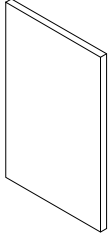
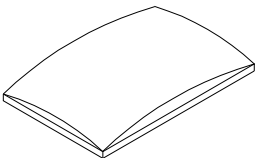
# PARTS LIST

<b>1</b> 	<b>2</b> 	<b>3</b> 	<b>4</b> 	<b>5</b> 
1	1	1	1	1
<b>6</b> 	<b>7</b> 	<b>8</b> 	<b>9</b> 	<b>10</b> 
1	1	1	1	1
<b>11</b> 	<b>12</b> 	<b>13</b> 	<b>14</b> 	<b>15</b> 
1	1	1	1	1
<b>16</b> 	<b>17</b> 	<b>18</b> 	<b>19</b> 	<b>20</b> 
1	3	1	3	1
<b>21</b> 	<b>22</b> 	<b>23</b> 	<b>24</b> 	<b>25</b> 
1	2	1	2	4

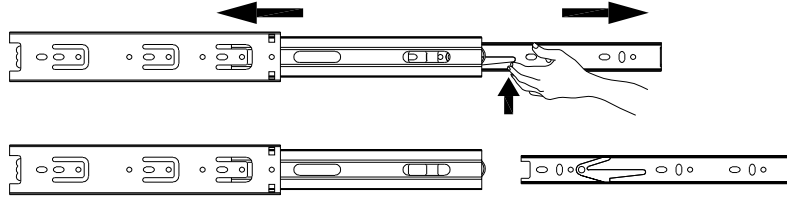
# PARTS LIST

<b>26</b> 	<b>27</b> 	<b>28</b> 	<b>29</b> 	<b>30</b> 
2	2	2	3	3
<b>31</b> 	<b>32</b> 	<b>33</b> 	<b>34</b> 	<b>35</b> 
1	1	1	1	1
<b>36</b> 	<b>37</b> 	<b>38</b> 	<b>39</b> 	<b>40</b> 
1	1	1	2	1
<b>41</b> 	<b>42</b> 	<b>43</b> 	<b>44</b> 	<b>45</b> 
1	1	1	1	1
<b>46</b> 	<b>47</b> 	<b>48</b> 	<b>49</b> 	<b>50</b> 
2	1	1	1	2

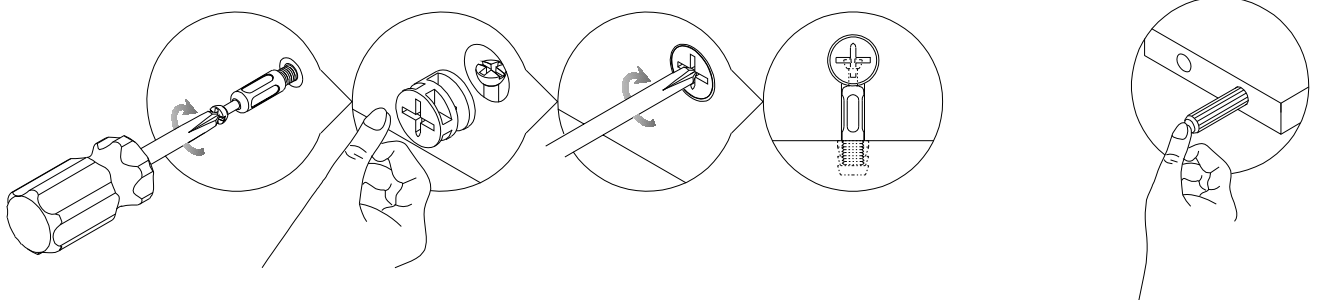
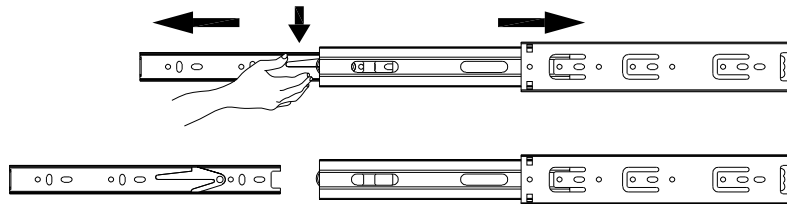
# PARTS LIST

<p><b>51</b></p> 	<p><b>52</b></p> 	<p><b>53</b></p> 	<p><b>54</b></p> 	<p><b>55</b></p> 
<p>4</p>	<p>1</p>	<p>2</p>	<p>1</p>	<p>2</p>
<p><b>56</b></p> 				
<p>1</p>				

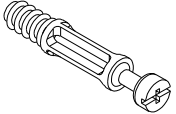

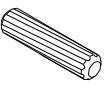
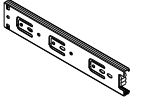
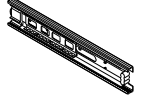
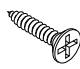
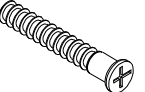
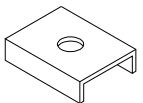
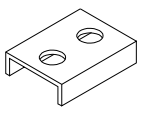
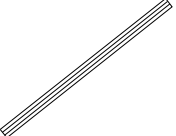
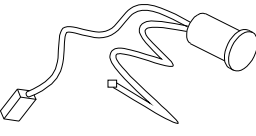
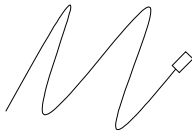
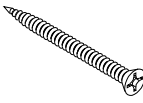
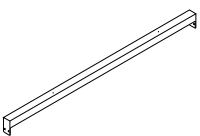

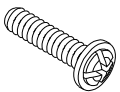
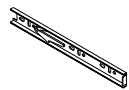
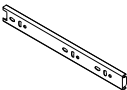
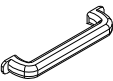
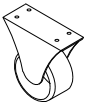
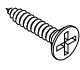
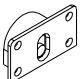
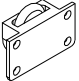
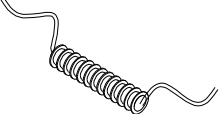

left



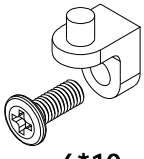
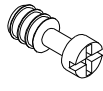
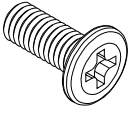
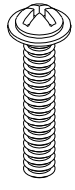
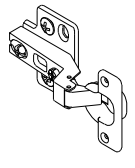
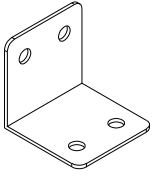
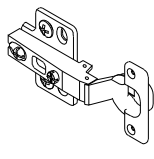
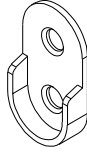
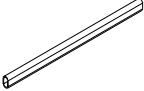
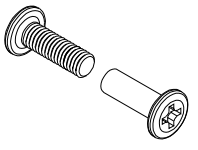
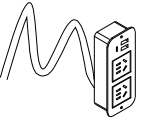
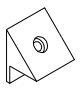
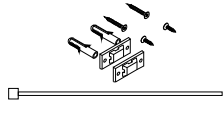
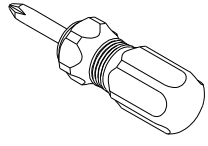
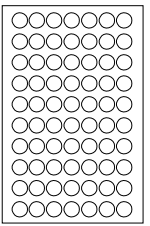
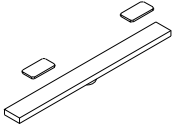
right

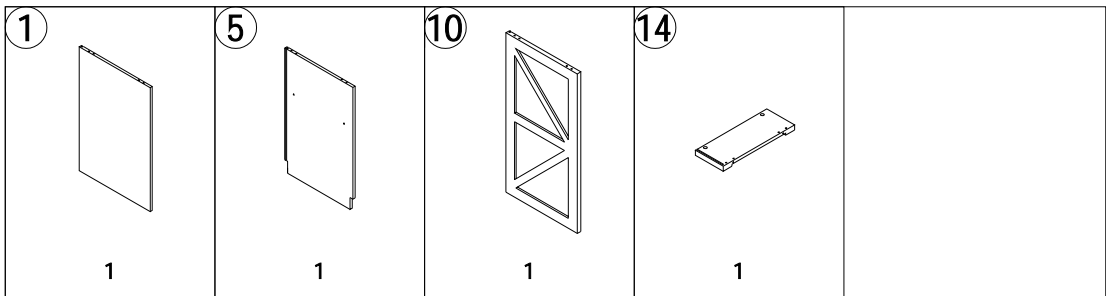


# HARDWARE LIST

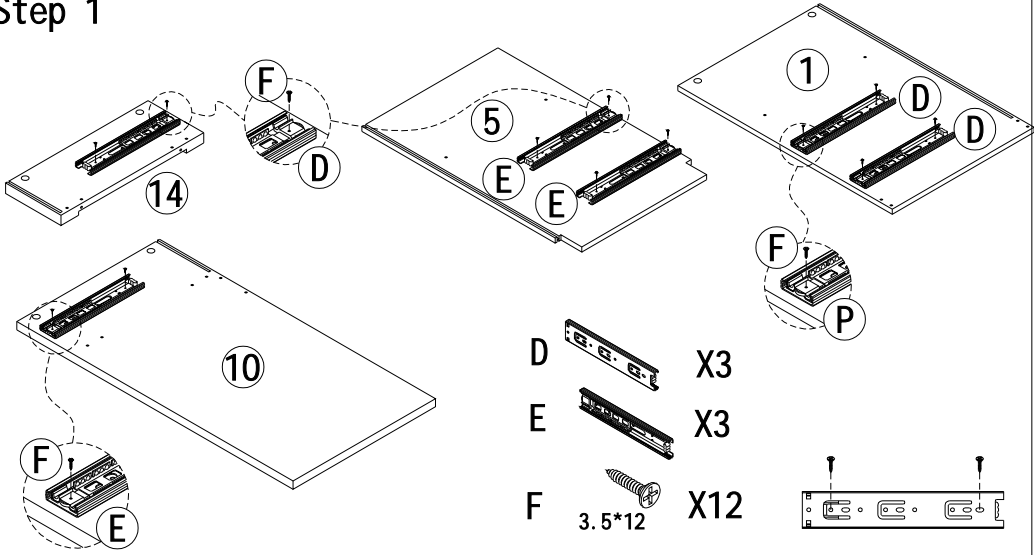
<b>A</b>	<b>B</b>	<b>C</b>	<b>D</b>	<b>E</b>
				
		6*30	300MM, right	300MM, left
127	127	18	3	3
<b>F</b>	<b>G</b>	<b>H</b>	<b>I</b>	<b>J</b>
				
3.5*12	7*38			1M
112	14	4	1	1
<b>K</b>	<b>L</b>	<b>M</b>	<b>N</b>	<b>O</b>
				
		3.5*35		
1	1	2	1	4
<b>P</b>	<b>Q</b>	<b>R</b>	<b>S</b>	<b>T</b>
				
4*20	right	left	96mm	
12	3	3	2	2
<b>U</b>	<b>V</b>	<b>W</b>	<b>X</b>	<b>Y</b>
				
5*12				
8	2	2	1	1

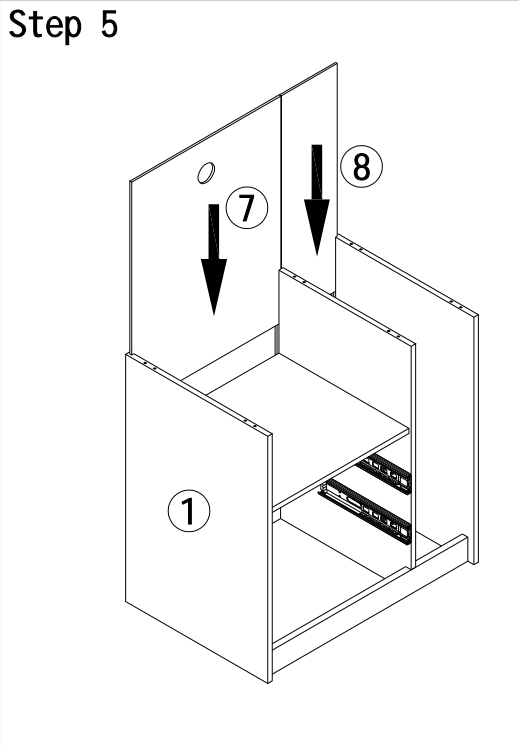
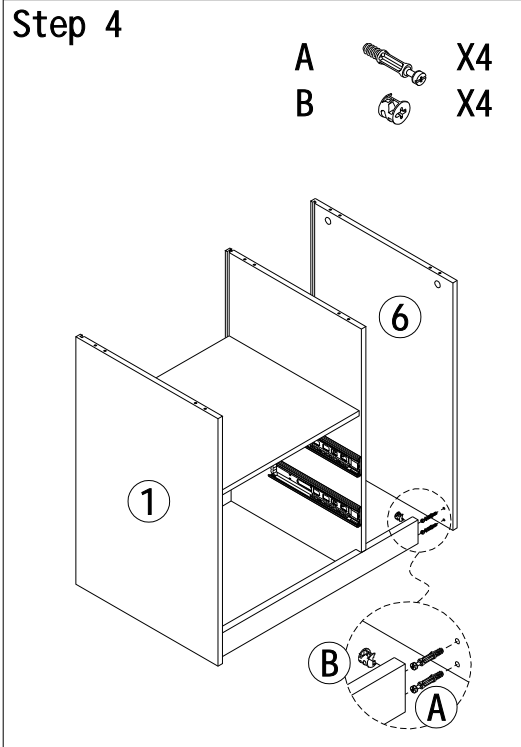
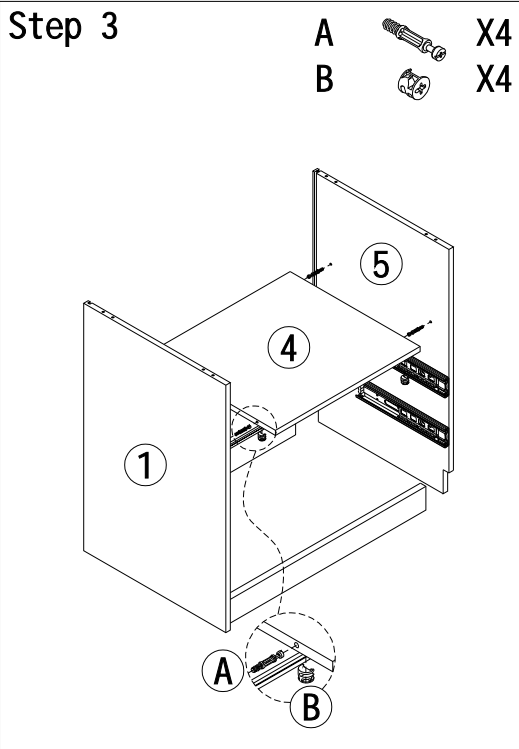
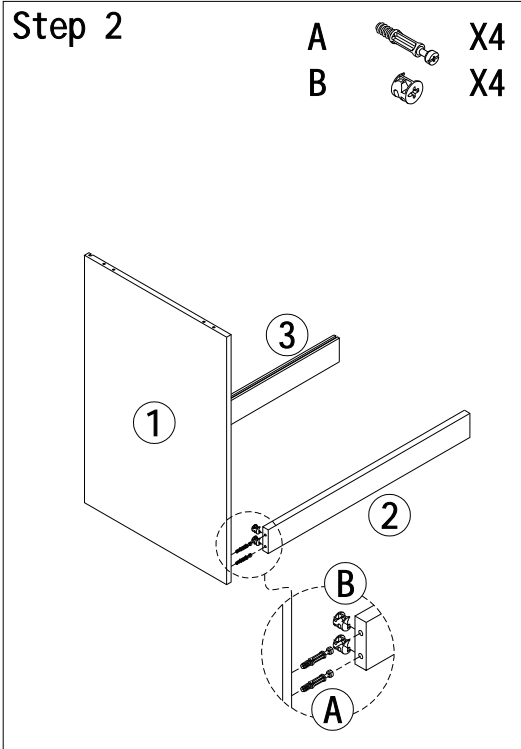
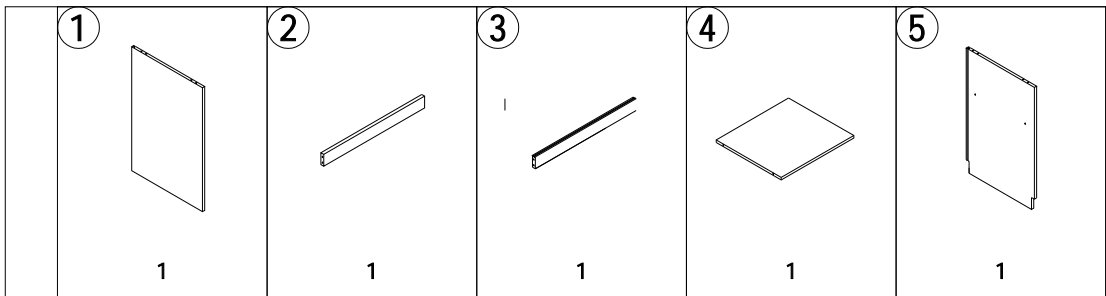
# HARDWARE LIST

<b>z</b>  <b>6*10</b> <b>8</b>	<b>a</b>  <b>6*16</b> <b>24</b>	<b>b</b>  <b>4*10</b> <b>16</b>	<b>c</b>  <b>4*35</b> <b>8</b>	<b>e</b>  <b>2</b>
<b>f</b>  <b>4</b>	<b>g</b>  <b>2</b>	<b>h</b>  <b>4</b>	<b>i</b>  <b>2</b>	<b>j</b>  <b>6*20</b> <b>2</b>
<b>l</b>  <b>1</b>	<b>m</b>  <b>24</b>	<b>n</b>  <b>2</b>	<b>o</b>  <b>1</b>	<b>q</b>  <b>3</b>
<b>r</b>  <b>1</b>				

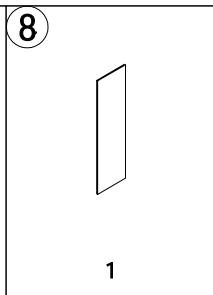
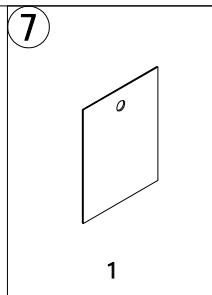
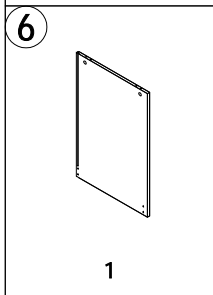


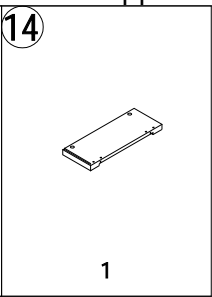
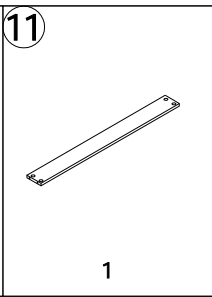
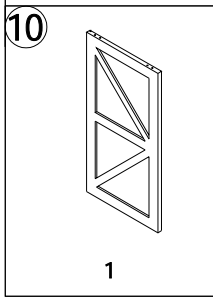
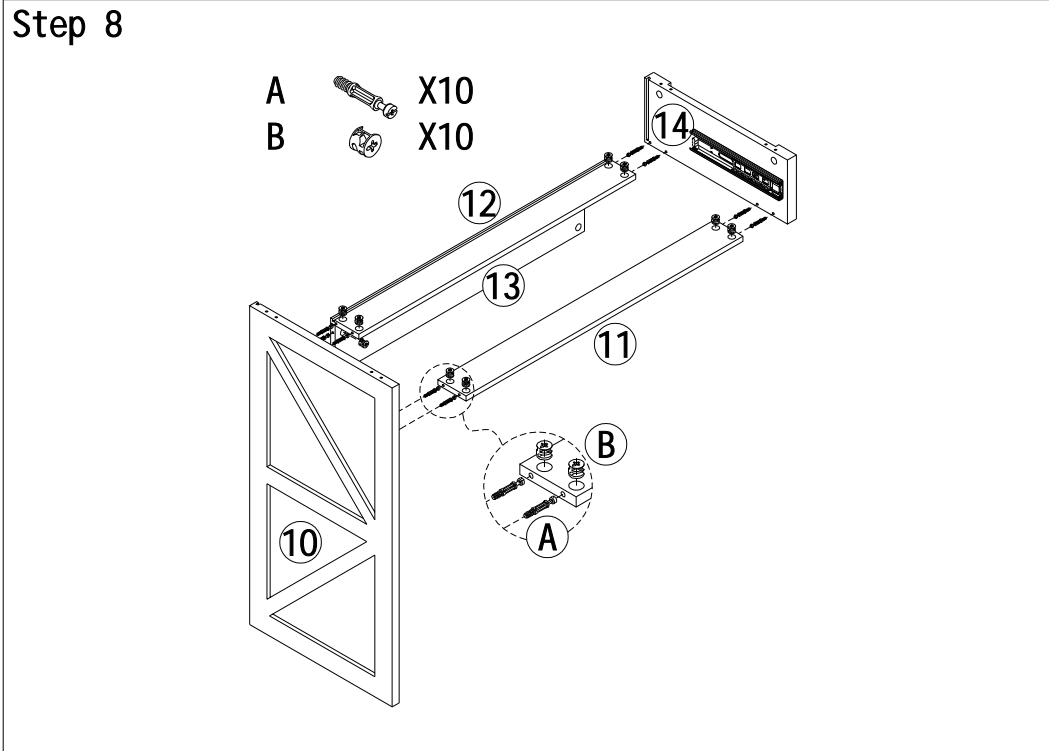
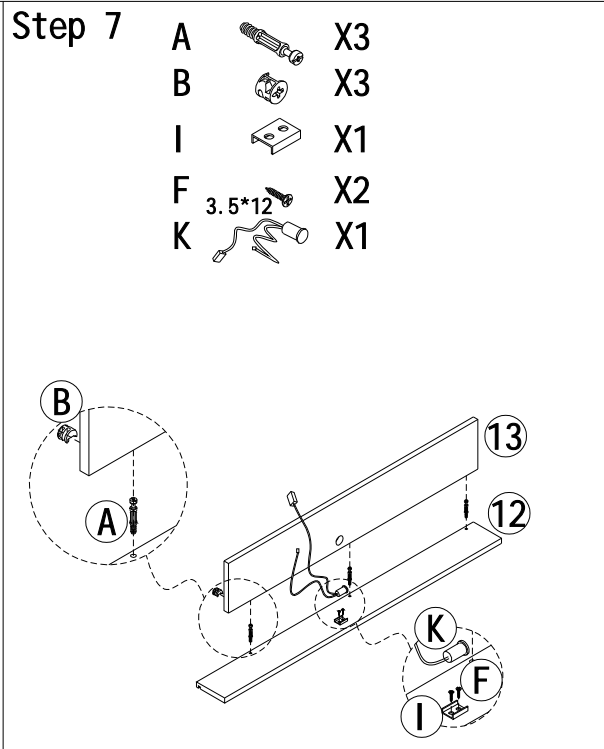
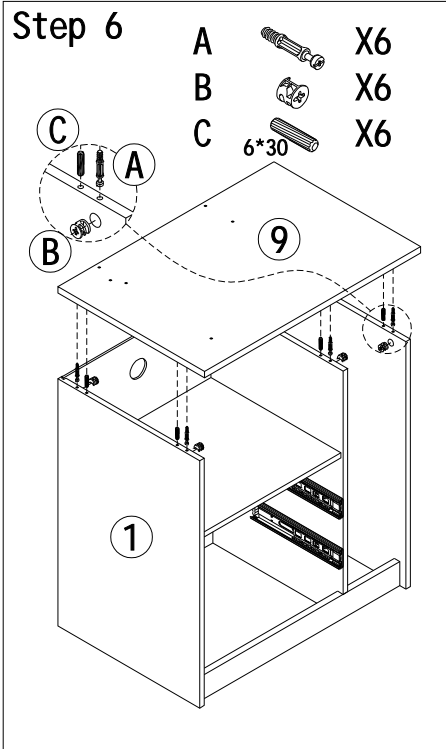
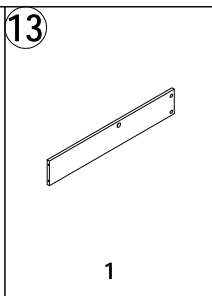
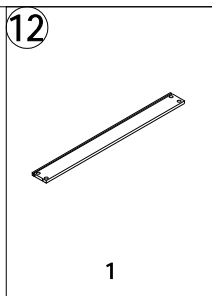
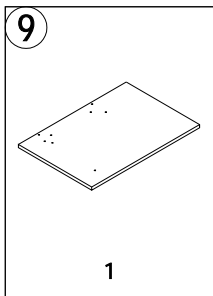
Step 1





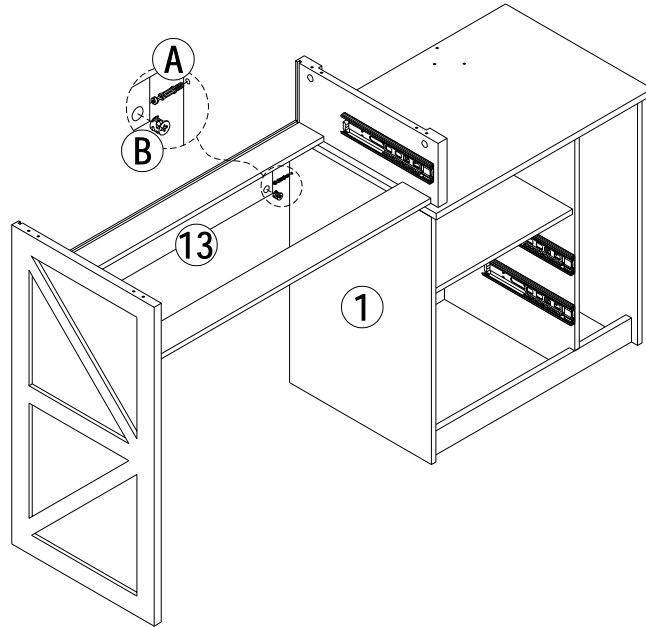
10





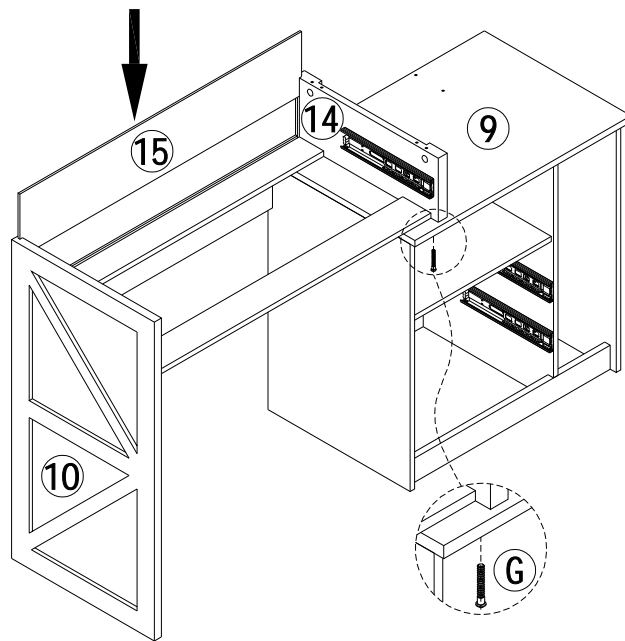
### Step 9

- A  X2
- B  X2



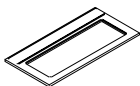
### Step 10

- G  7\*38 X2



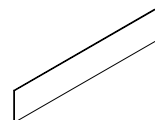
12

16



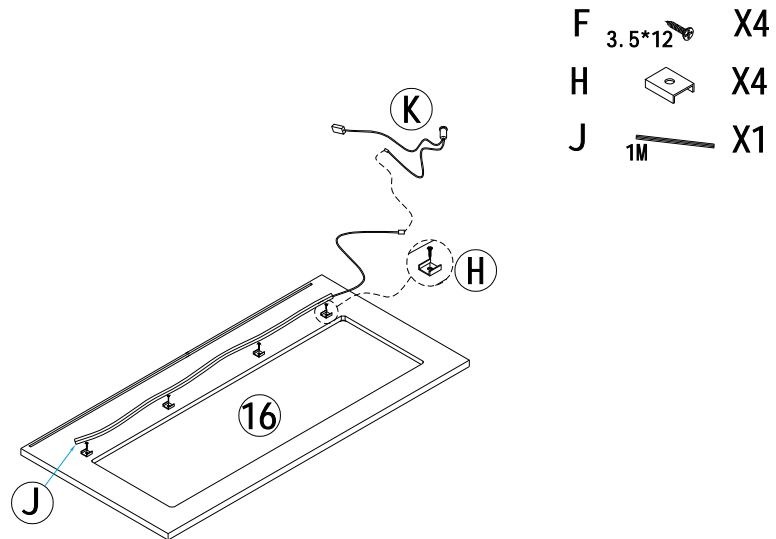
1

15

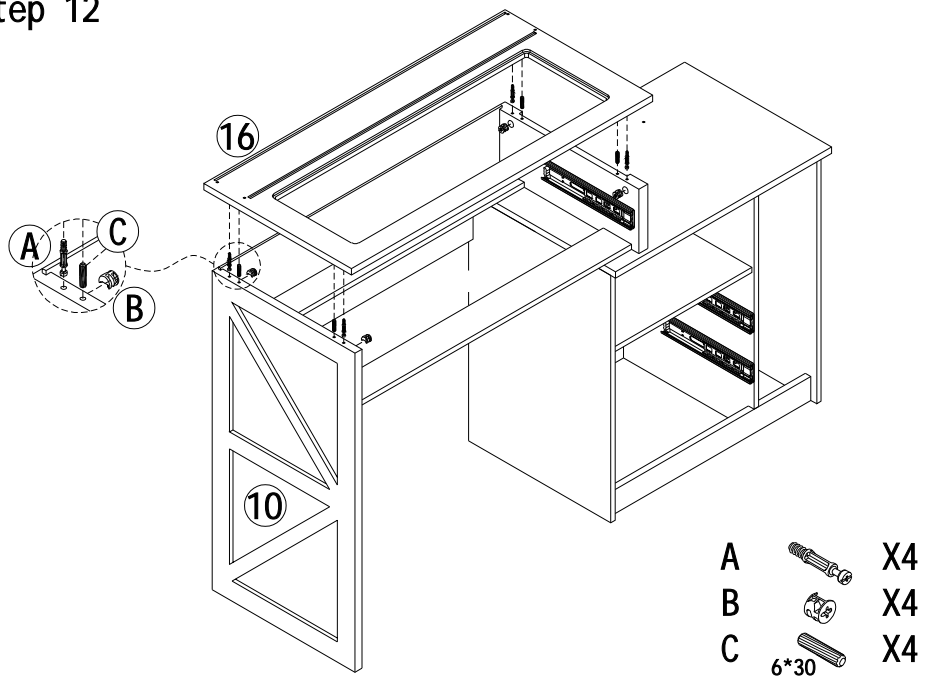


1

## Step 11

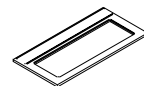


## Step 12



13

16

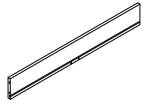


17



1

18



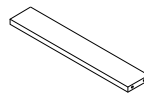
1

19



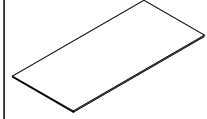
1

20






1

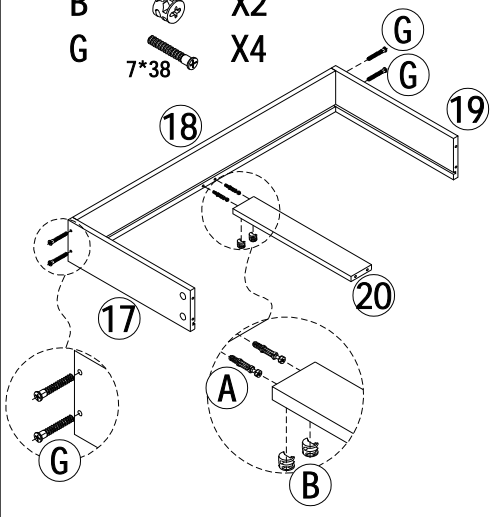
21



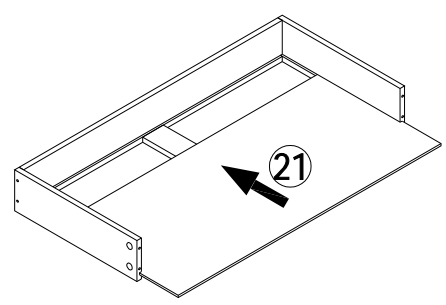
1

### Step 13




- A  X2
- B  X2
- G  7\*38 X4

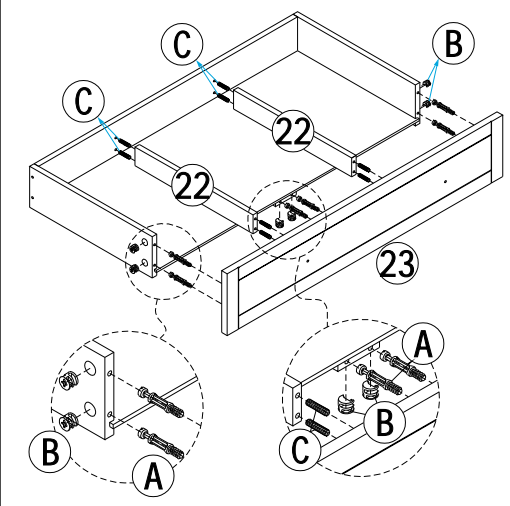


### Step 14



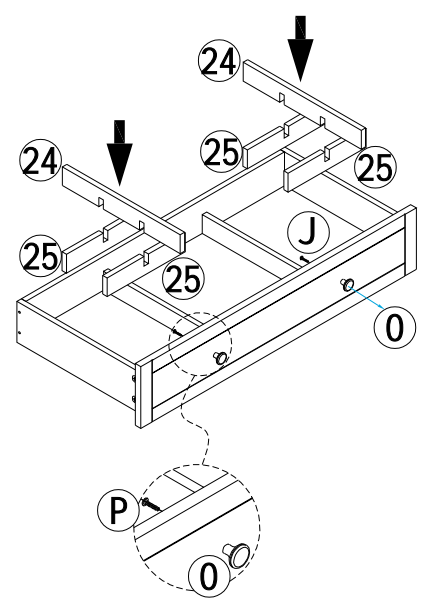
### Step 15

- A  X6
- B  X6
- C  6\*30 X8



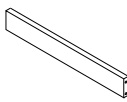
### Step 16

- O  X2
- P  4\*20 X2



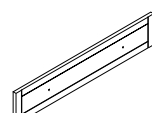
14

22



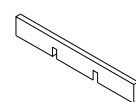
2

23



1

24



2

25



4

17



2

19



2

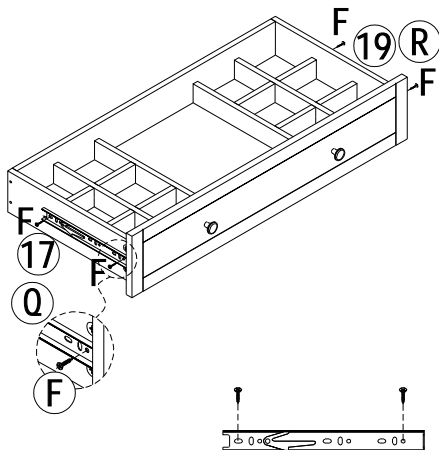
26



2

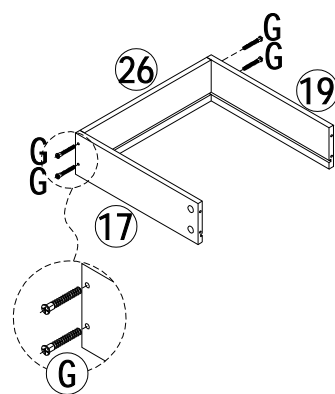
Step 17

- F 3.5\*12 X4
- Q X1
- R X1

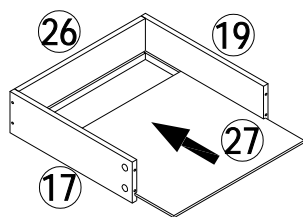


Step 18 X2

- G 7\*38 X8

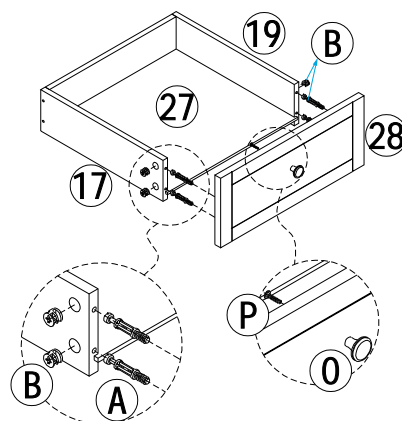


Step 19 X2



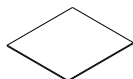
Step 20 X2

- A X8
- B X8
- O X2
- P 4\*20 X2



15

27



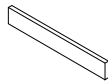
2

28



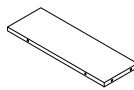
2

29



3

30



3

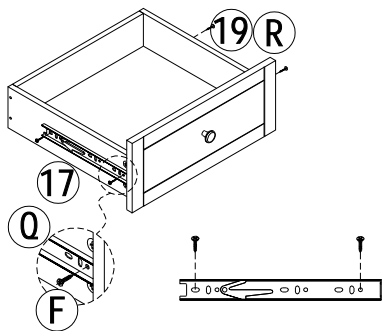
31



1

Step 21 X2

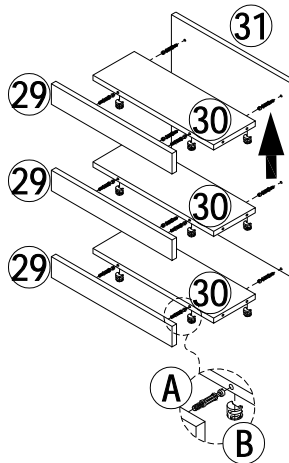
- F 3.5\*12 X8
- Q X2
- R X2



Step 22

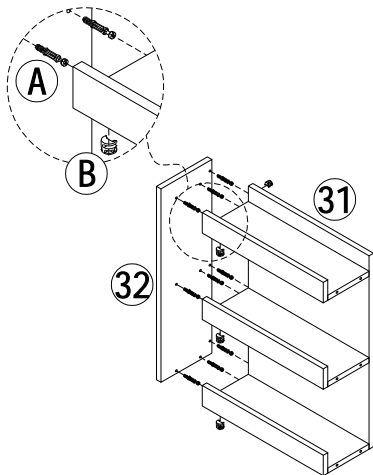
- A X12
- B X12

注意：31板件箭头标签方向



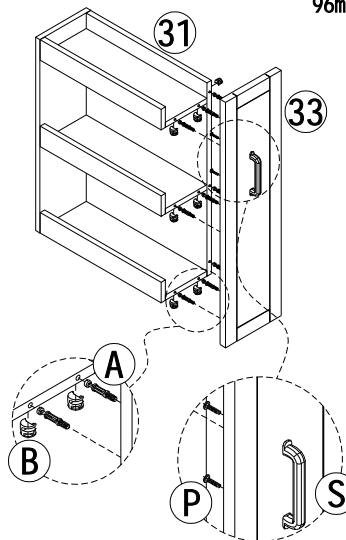
Step 23

- A X9
- B X9



Step 24

- A X9
- B X9
- P 4\*20 X2
- S 96mm X1



16

32



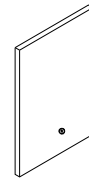
1

33



1

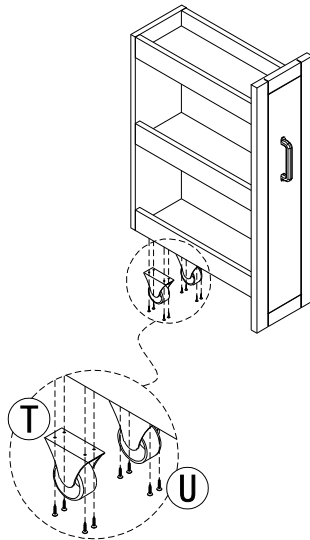
52



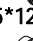



1

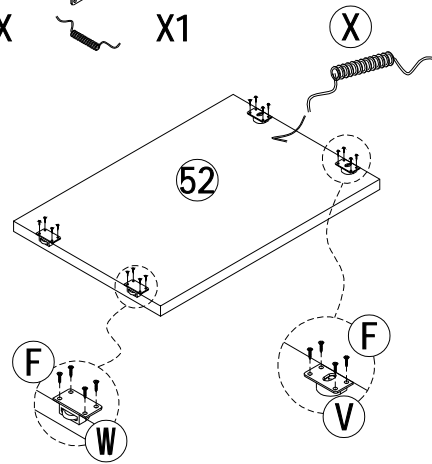
### Step 25

- T  X2
- U  5\*12 X8

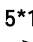
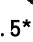



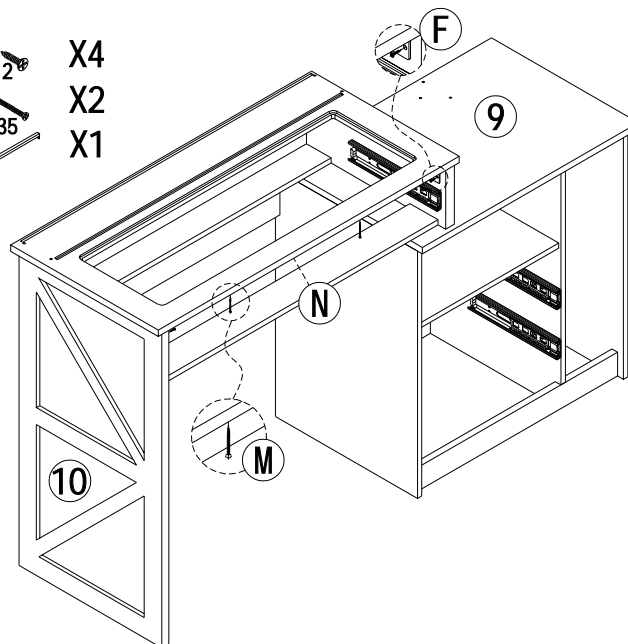
### Step 26

- F  3.5\*12 X16
- V  X2
- W  X2
- X  X1

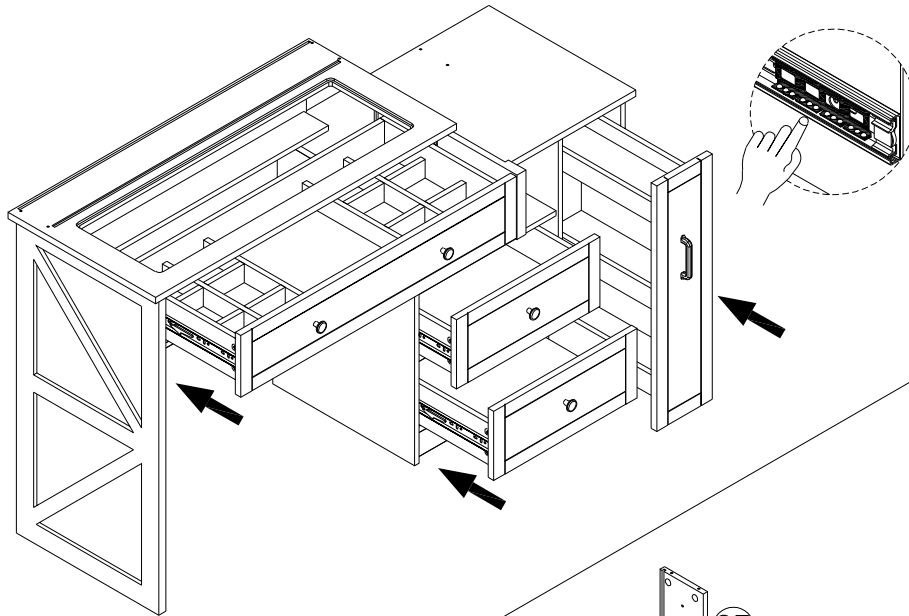


### Step 27

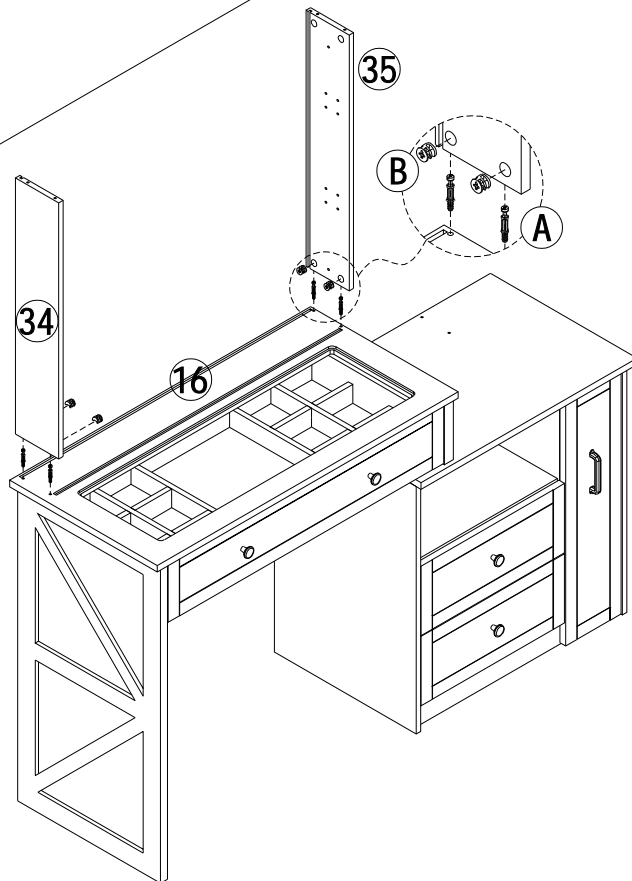
- F  3.5\*12 X4
- M  X2
- N  3.5\*35 X1



Step 28



Step 29



- A  X4
- B  X4

18

34



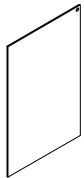
1

35



1

36



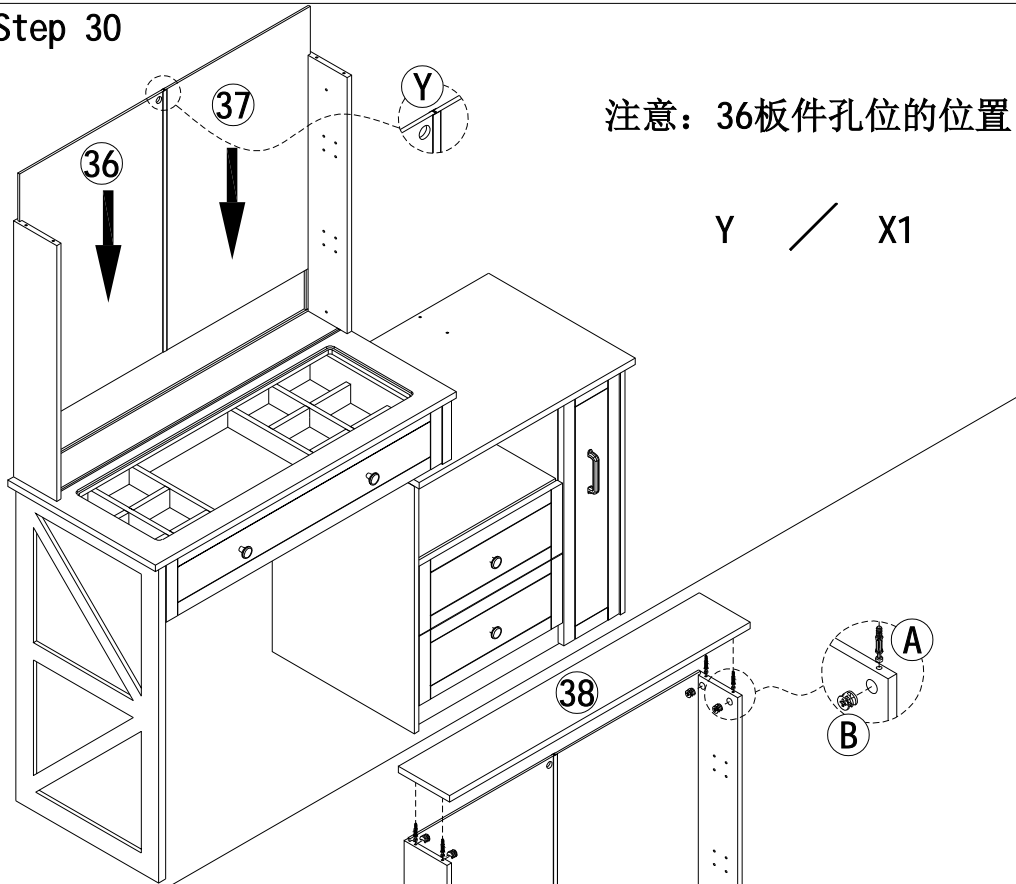
1

37

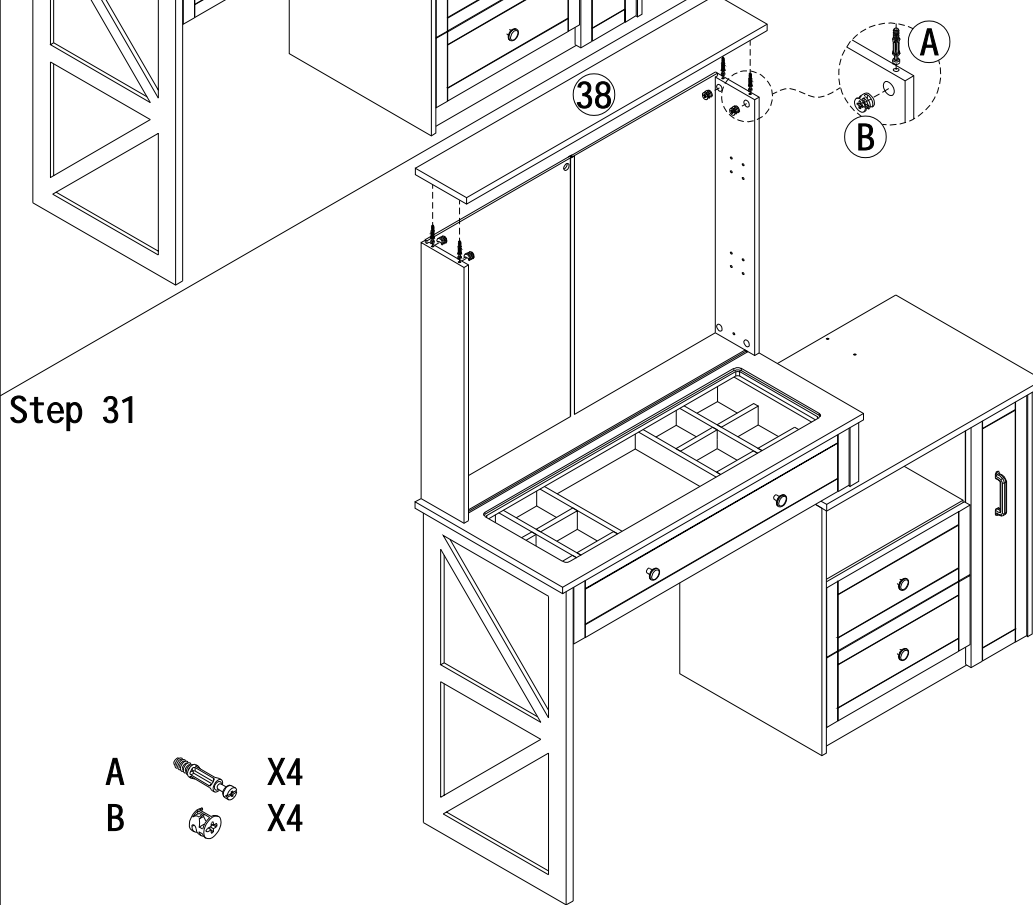


1

Step 30

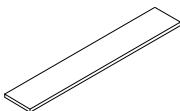


Step 31

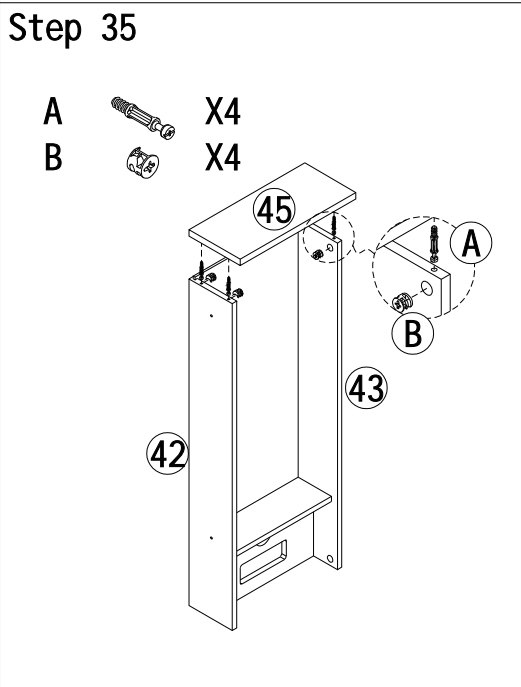
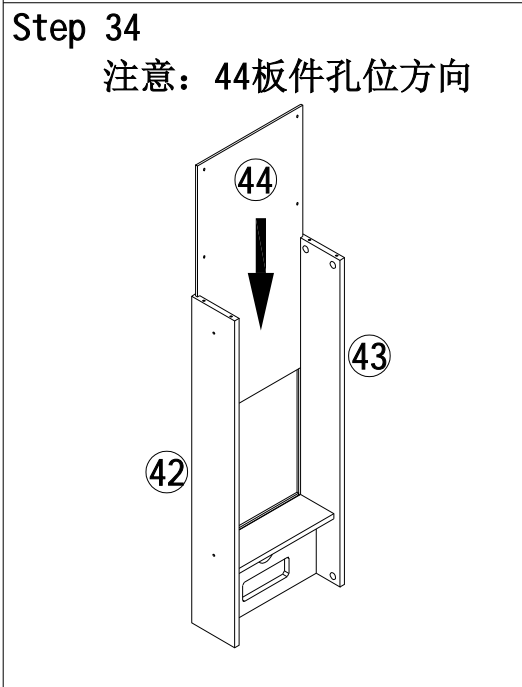
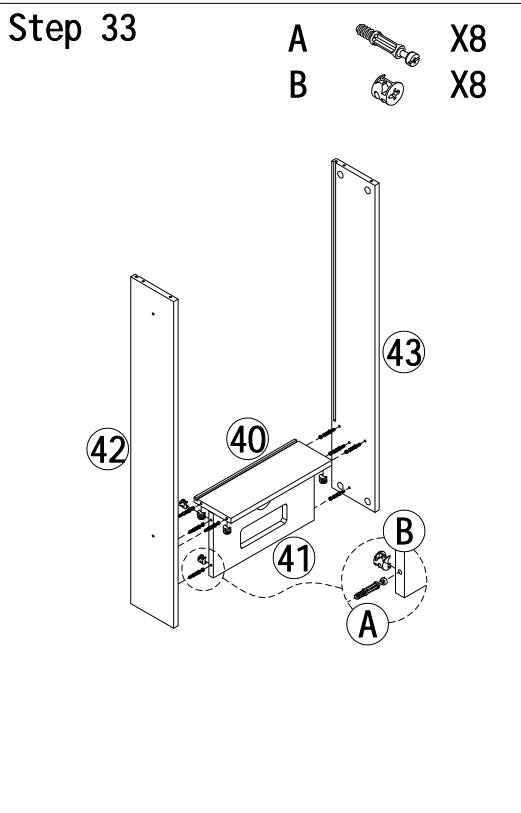
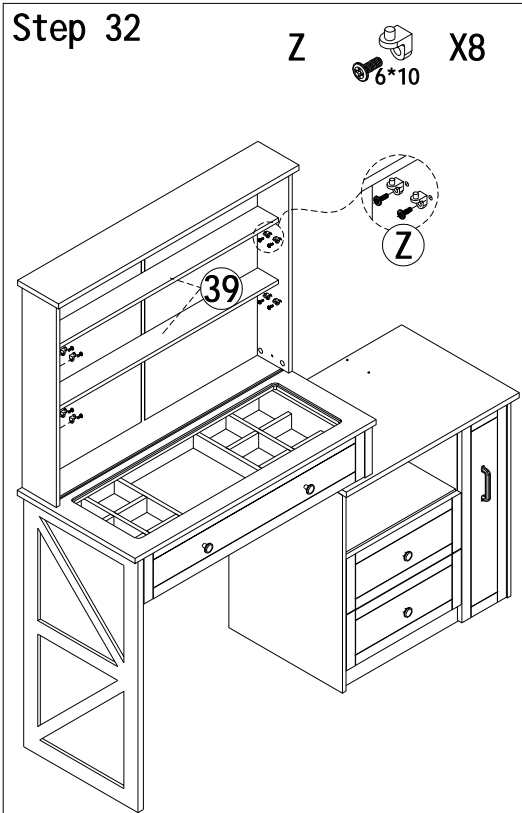
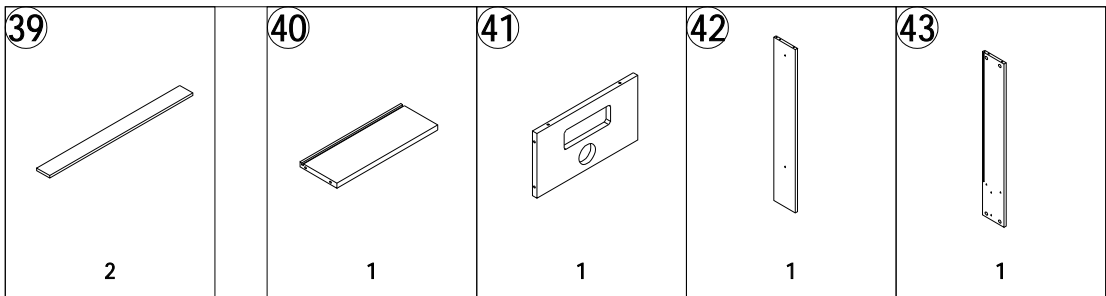


19

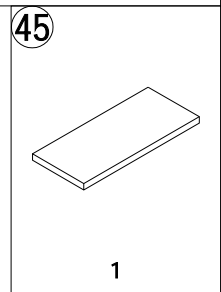
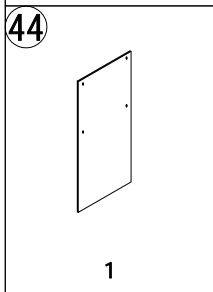
38

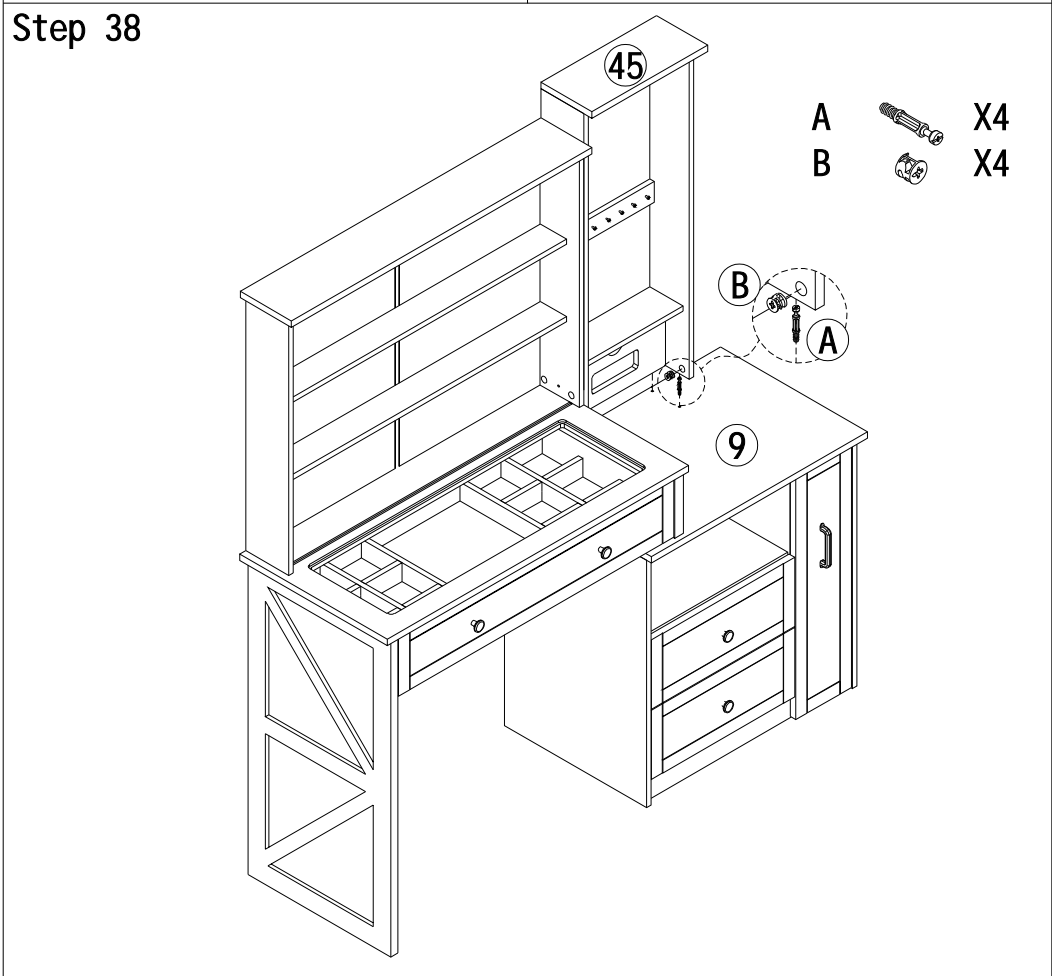
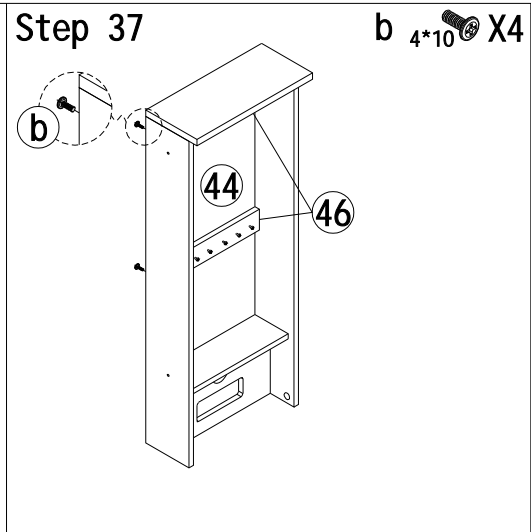
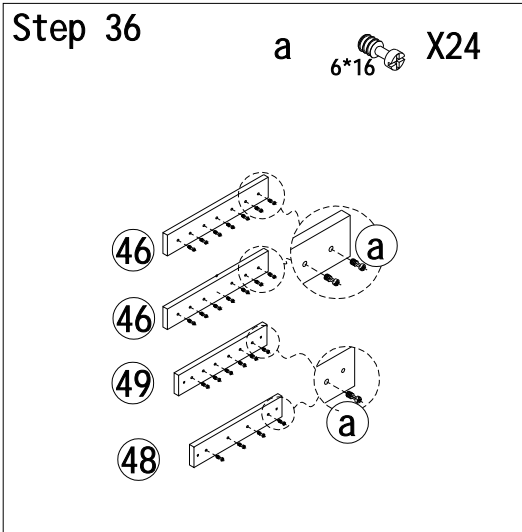
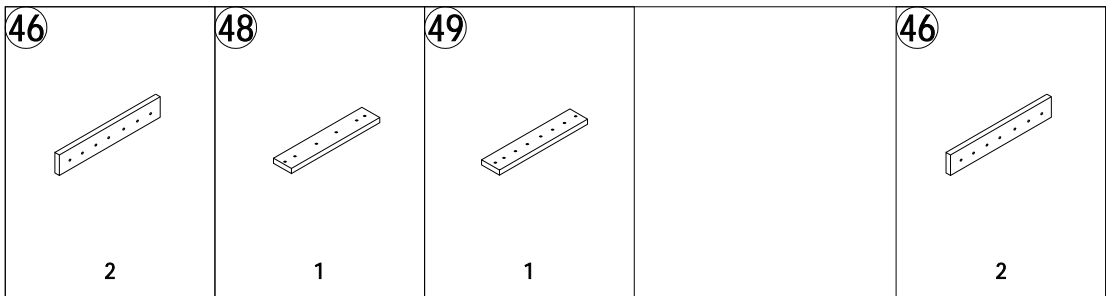


1

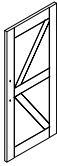


20





47



1

50



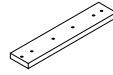
2

51



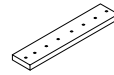
4

48



1

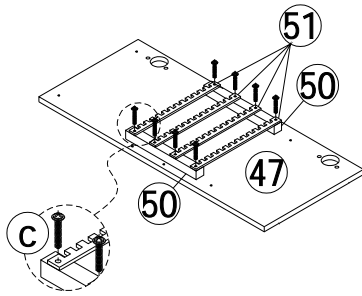
49



1

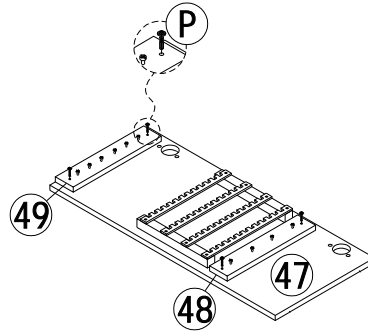
### Step 39

C 4\*35  X8





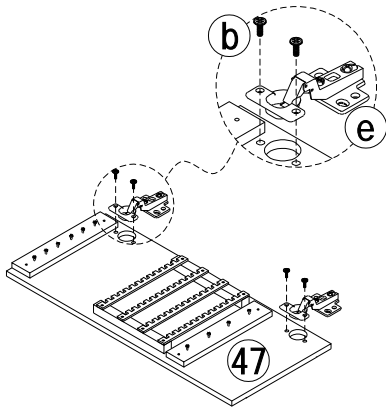
### Step 40

P 4\*20  X4



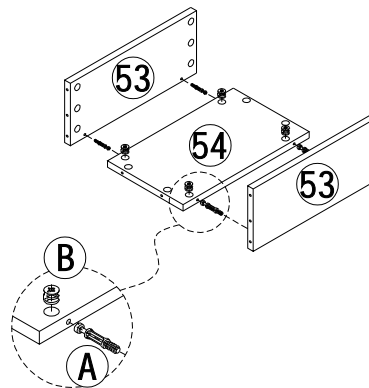
### Step 41

b 4\*10  X4  
e  X2

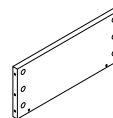


### Step 42

A  X4  
B  X4

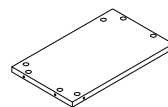


53

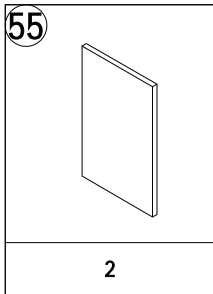


2

54

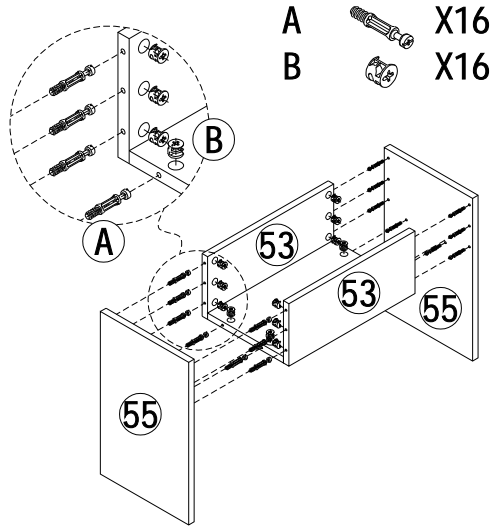


1

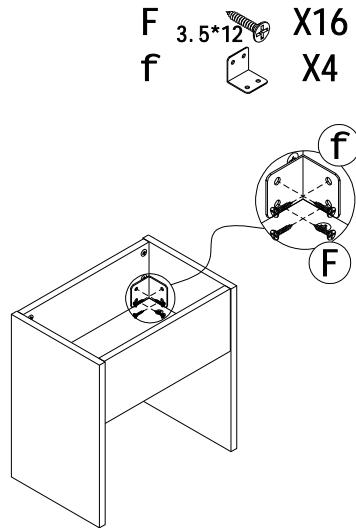


2

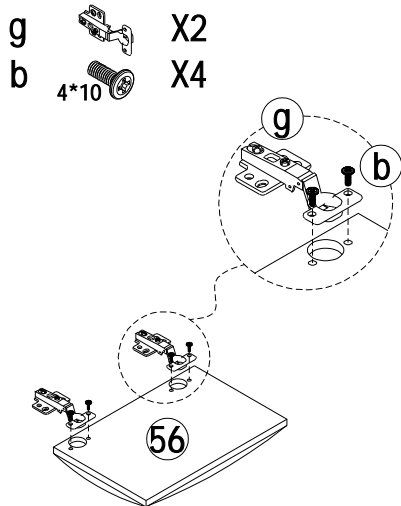
Step 43



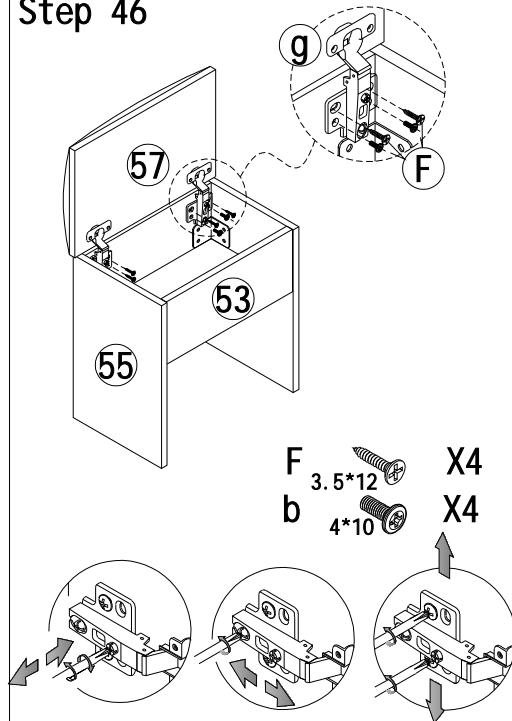
Step 44



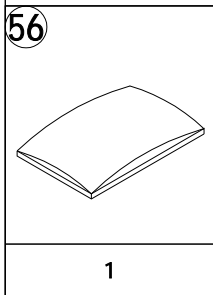
Step 45



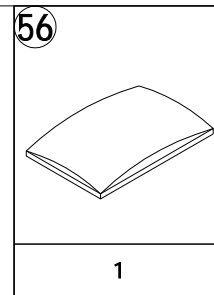
Step 46



23

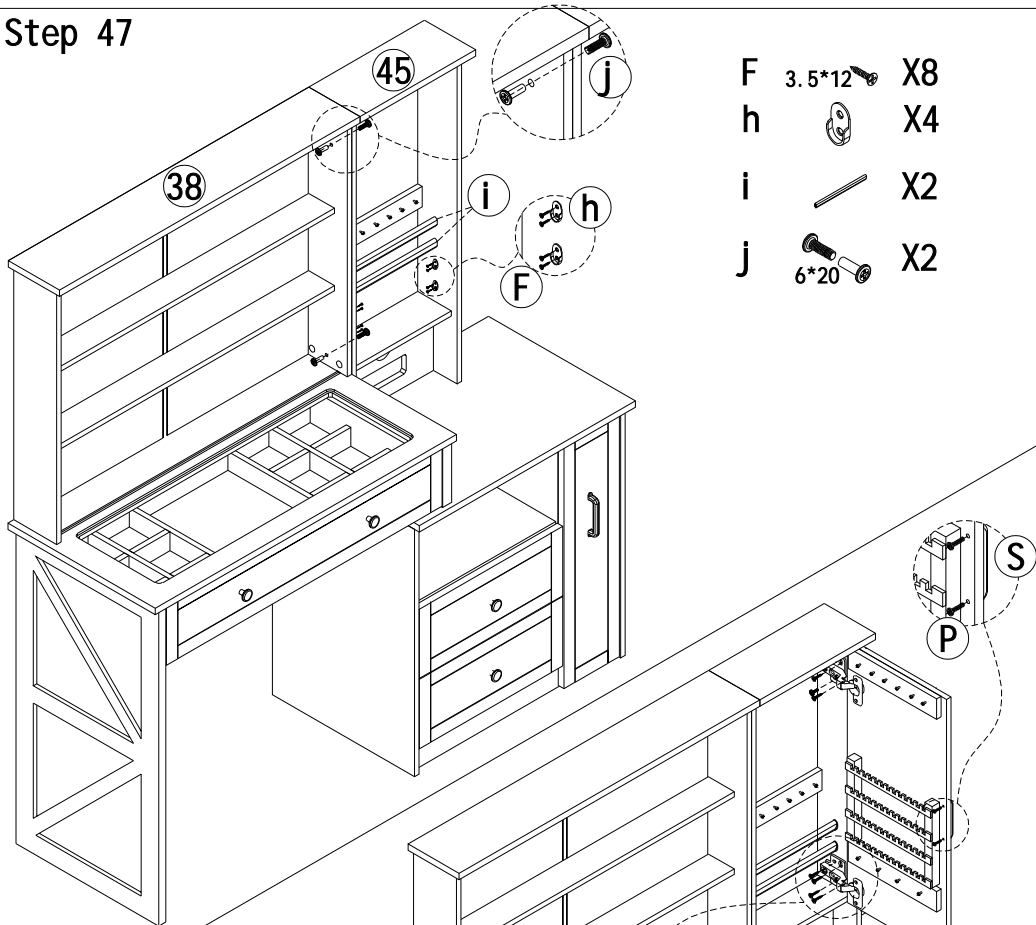


1



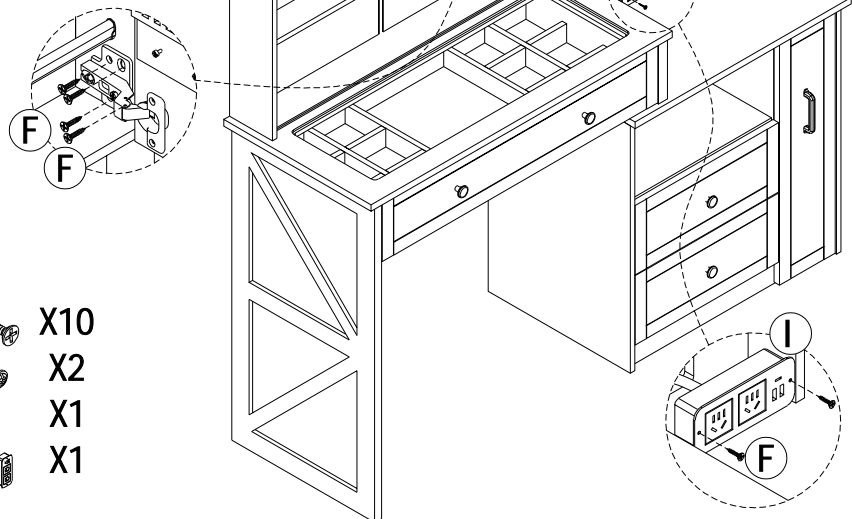
1

### Step 47



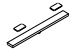
- |   |        |    |
|---|--------|----|
| F | 3.5*12 | X8 |
| h |        | X4 |
| i |        | X2 |
| j | 6*20   | X2 |

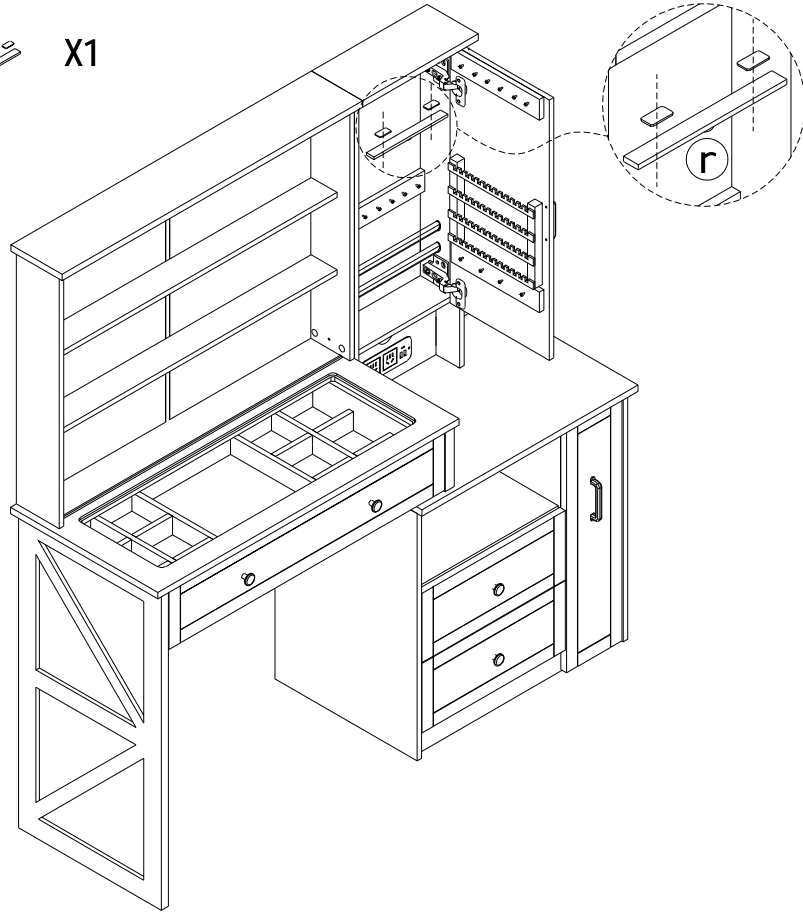
### Step 48



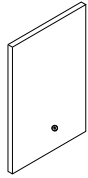
- |   |        |     |
|---|--------|-----|
| F | 3.5*12 | X10 |
| P | 4*20   | X2  |
| S | 96mm   | X1  |
| I |        | X1  |

Step 49

r  X1

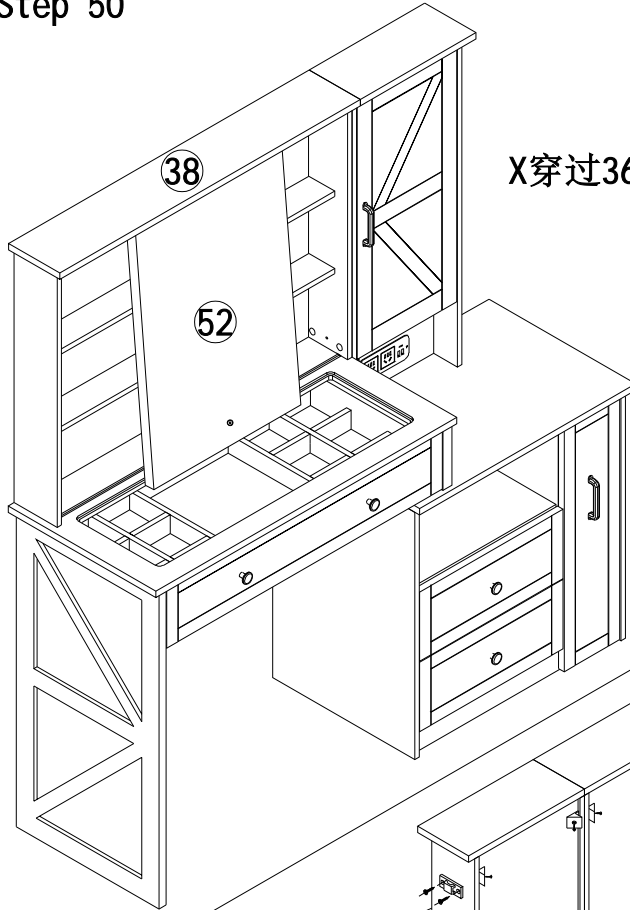


52



1

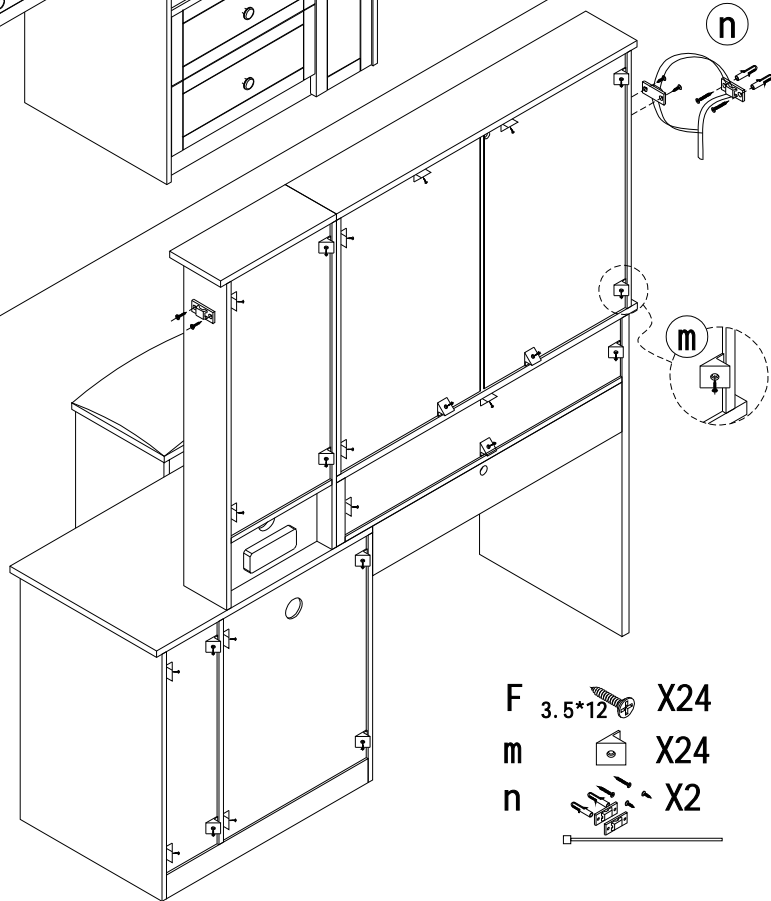
Step 50



L *W* X1

X穿过36背板与L链接，再接电源

Step 49



26