




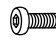











Installation & Assembly

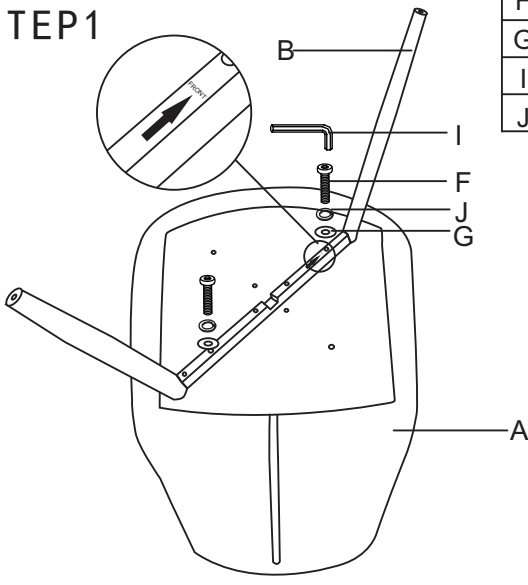




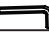

Ax1 	Bx1 	Cx1 	Dx1 
Ex4  6x13mm	Fx4  6x50mm	Gx8 	Hx4 
Ix1 	Jx8 		

SPARE (Ersatzteile)

Ex1  6x13mm	Fx1  6x50mm	Gx1 	Hx1 	Jx1 
--	--	--	--	--

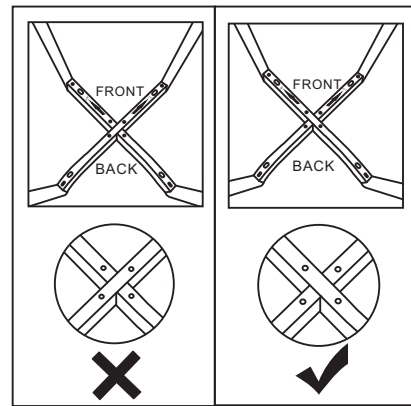
STEP 1



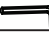



F	 6x50mm	2
G		2
I		1
J		2

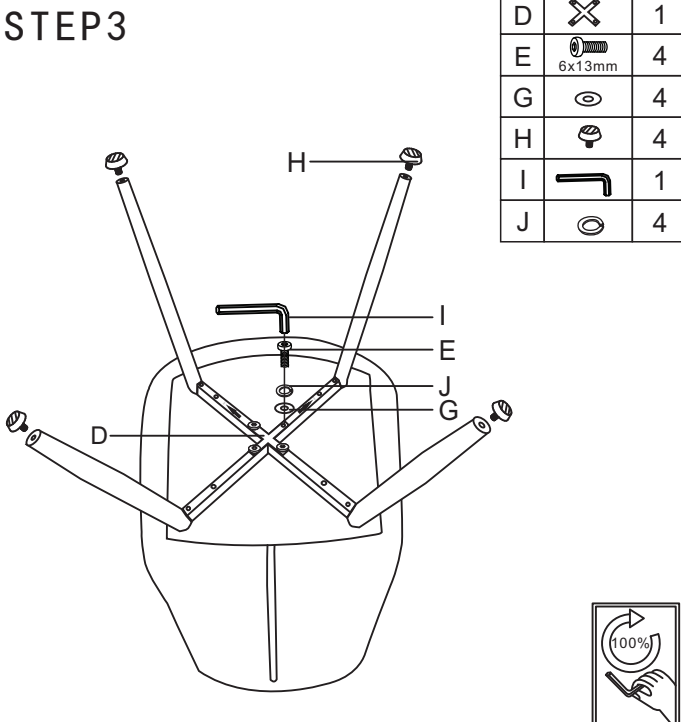








STEP 2



F	 6x50mm	2
G		2
I		1
J		2

STEP 3



D		1
E	 6x13mm	4
G		4
H		4
I		1
J		4

