



Assembly Instructions

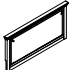






B3941-110 SILVER SANDS 6/6-6/0 EK/WK PANEL HEADBOARD
 B3941-120 SILVER SANDS 6/6-6/0 EK/WK PANEL FOOTBOARD & SLATS
 B3941-330 SILVER SANDS 5/0-6/6 EK/Q PANEL SIDE RAILS

Thank you for purchasing this quality product. Be sure to check all packing materials carefully for small parts, which may have come loose inside the carton during shipment. Identify and count all items and compare with the PARTS LIST and/or HARDWARE LIST shown below.







Caution: Please read the instructions thoroughly before assembly.

1. We recommend that you assemble this product with the assistance of another person: this will make the assembly easier, and will help eliminate damage to the product or injury to person during assembly.
2. Please do not over tighten screws or bolts until the assembly is completed.
3. Please put all parts on a non-abrasive floor before assembly, and follow the assembly steps to assemble your newly purchased product correctly and efficiently.

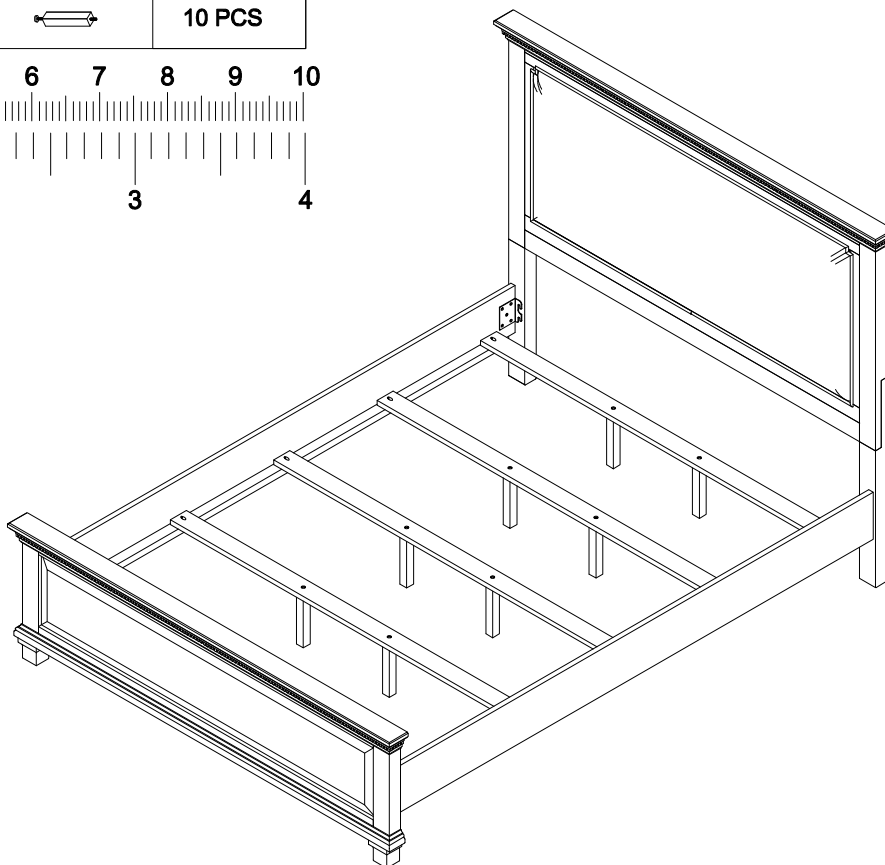
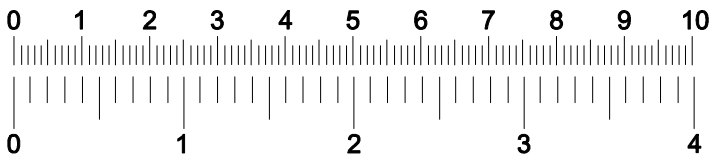
PARTS LIST

NO:	COMPONENT	ADRAWING	Q'TY
A	Headboard		1 PC
B	Footboard		1 PC
C	Side Rails		2 PCS
D	Left Side Facing (LSF) HB Leg		1 PC
E	Right Side Facing (RSF) HB Leg		1 PC
F	Slats		5 PCS
G	Support Legs		10 PCS

HARDWARE LIST

NO:	COMPONENT	ADRAWING	Q'TY
1	Bolt Ø5/16"x3/4"		8 PCS
2	Bolt Ø5/16"x1-5/8"		6 PCS
3	Lock Washer Ø5/16"		14 PCS
4	Flat Washer Ø5/16"x3/4"		14 PCS
5	Allen Key 4mm		1 PC
6	Screw #8*1-1/4"		10 PCS

Weight Capacity	800 LBS
-----------------	---------



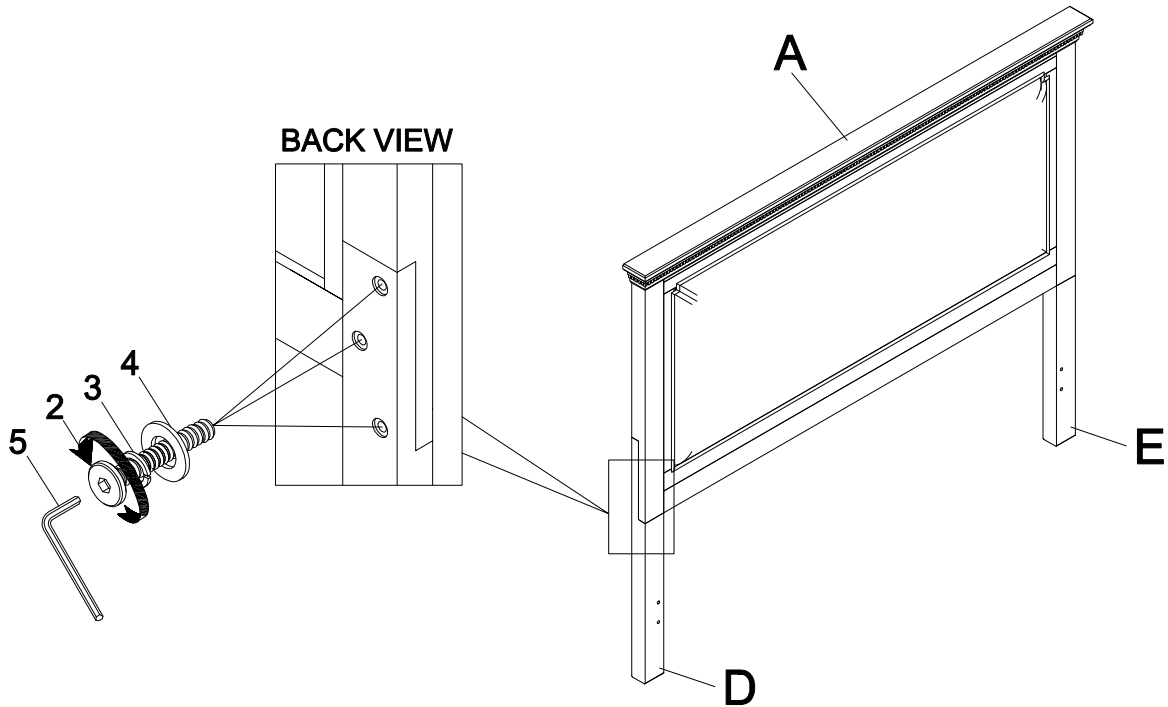


New
Classic[®]
FURNITURE

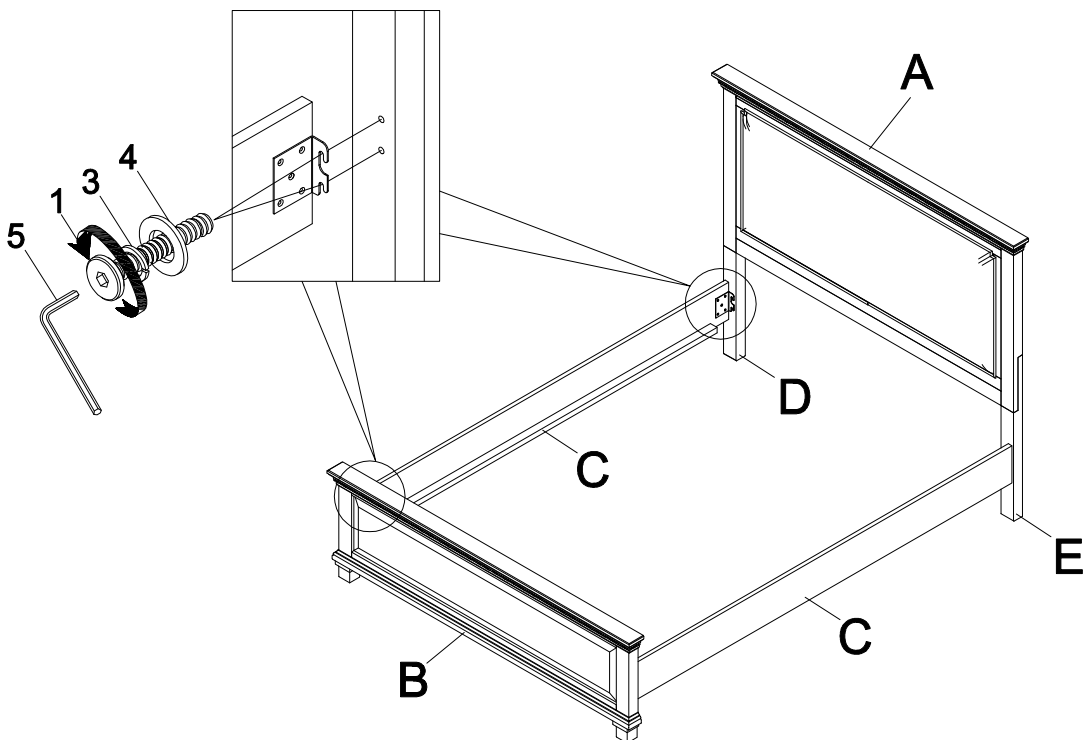
Assembly Instructions

B3941-110 SILVER SANDS 6/6-6/0 EK/WK PANEL HEADBOARD
B3941-120 SILVER SANDS 6/6-6/0 EK/WK PANEL FOOTBOARD & SLATS
B3941-330 SILVER SANDS 5/0-6/6 EK/Q PANEL SIDE RAILS

STEP 1 Assemble LSF HB Leg (D) and RSF HB Leg (E) to Headboard (A) by using Allen Key (5) with hardware 2,3, and 4.



STEP 2 Assemble Side rails (C) to HB legs (D & E) and Footboard (B) by using Allen Key (5) with hardware 1, 3, and 4.





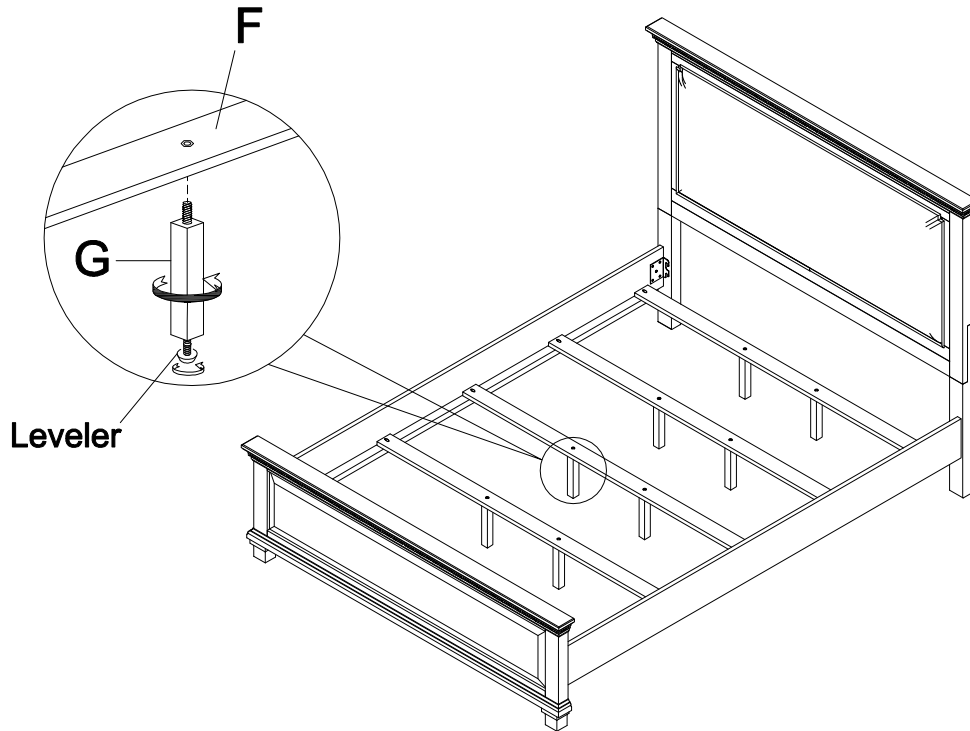
New
Classic®
FURNITURE

Assembly Instructions

B3941-110 SILVER SANDS 6/6-6/0 EK/WK PANEL HEADBOARD
B3941-120 SILVER SANDS 6/6-6/0 EK/WK PANEL FOOTBOARD & SLATS
B3941-330 SILVER SANDS 5/0-6/6 EK/Q PANEL SIDE RAILS

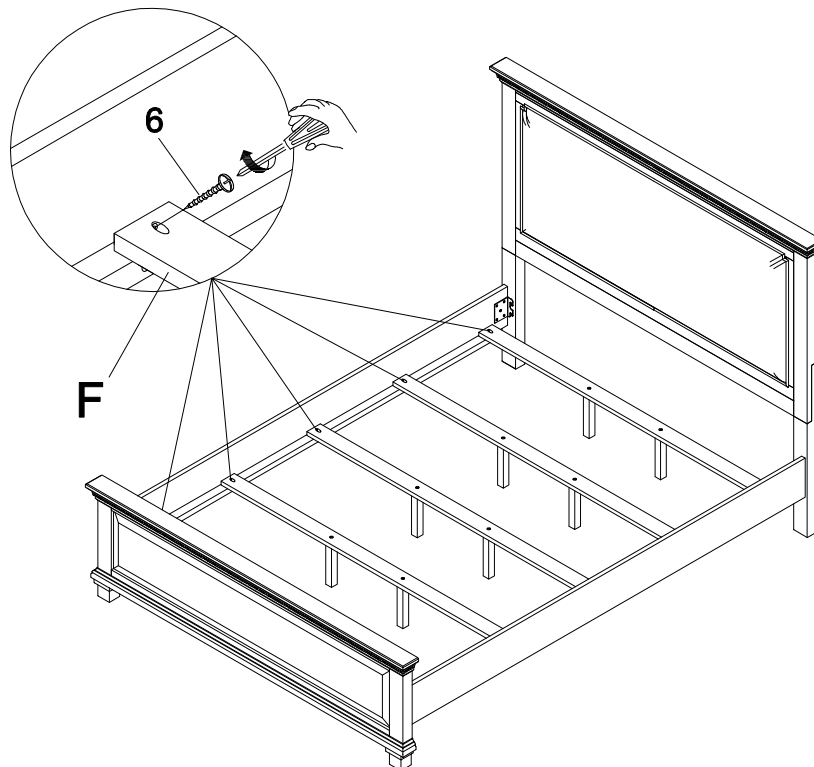
STEP 3

Assemble the Support legs (G) by twisting them on the Slat (F). Then adjust the leveler on the support legs (G) to level with the floor.



STEP 4

Assemble the slat (F) to the side rails (C) by using a screwdriver with hardware 6.



Assembly Instructions

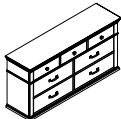

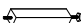
B3941-050 SILVER SANDS DRESSER

Thank you for purchasing this quality product. Be sure to check all packing materials carefully for small parts, which may have come loose inside the carton during shipment. Identify and count all items and compare with the PARTS LIST and/or HARDWARE LIST shown below.





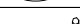

Caution: Please read the instructions thoroughly before assembly.

1. We recommend that you assemble this product with the assistance of another person: this will make the assembly easier, and will help eliminate damage to the product or injury to person during assembly.
2. Please do not over tighten screws or bolts until the assembly is completed.
3. Please put all parts on a non-abrasive floor before assembly, and follow the assembly steps to assemble your newly purchased product correctly and efficiently.

PARTS LIST

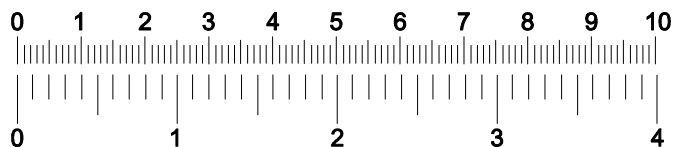
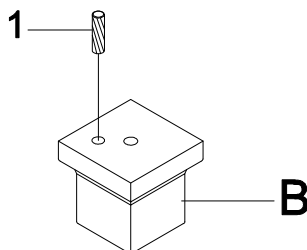
NO:	COMPONENT	ADRAWING	Q'TY
A	DRESSER		1 PC
B	FOOT		4 PCS
C	SUPPORT LEG		1 PC

HARDWARE LIST

NO:	COMPONENT	ADRAWING	Q'TY
1	Wooden Dowel Ø10"x1-5/8"		4 PCS
2	Bolt Ø5/16"x2-3/8"		4 PCS
3	Lock Washer Ø5/16"		4 PCS
4	Flat Washer Ø5/16"x3/4"		4 PCS
5	Allen Key		1 PC
6	Anti-Tipping Kit		1 SET

STEP 1

Install the Wooden Dowel (1) into the blind hole on the Foot (B).

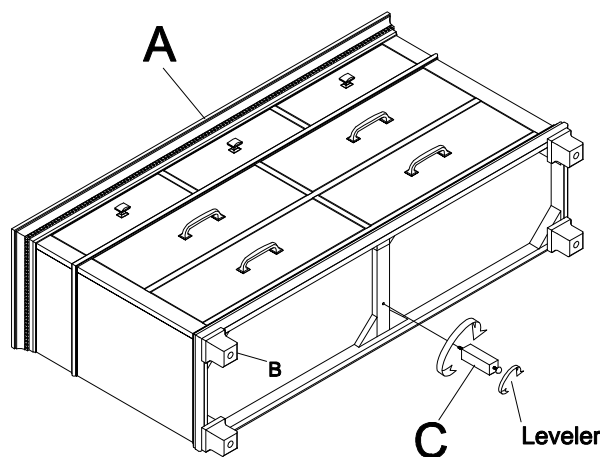
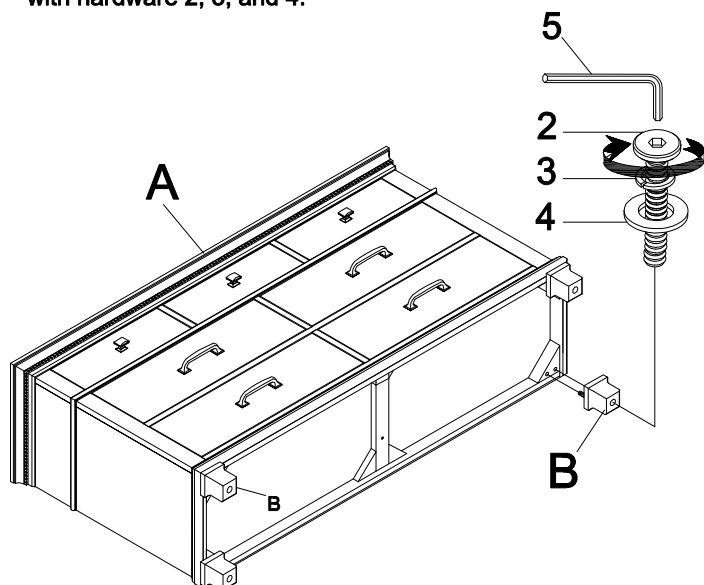


STEP 3

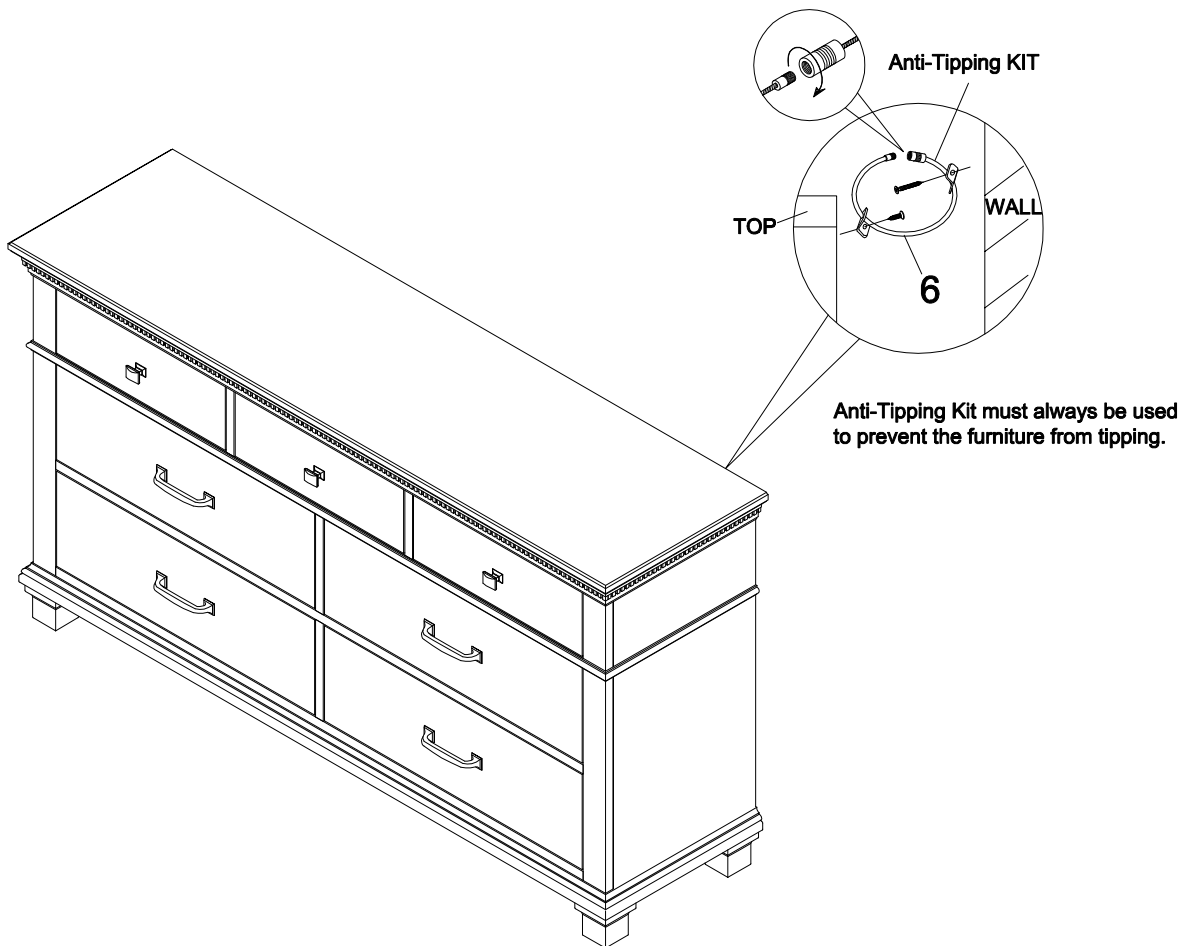
Assemble the Support Leg (C) by twisting the leg into the center hole on the base of dresser (A).

STEP 2

Assemble the Foot (B) to Dresser (A) by using the Allen Key (5) with hardware 2, 3, and 4.



STEP 4



Assembly Instructions




B3941-060 SILVER SANDS MIRROR

Thank you for purchasing this quality product. Be sure to check all packing materials carefully for small parts, which may have come loose inside the carton during shipment. Identify and count all items and compare with the PARTS LIST and/or HARDWARE LIST shown below.





Caution: Please read the instructions thoroughly before assembly.

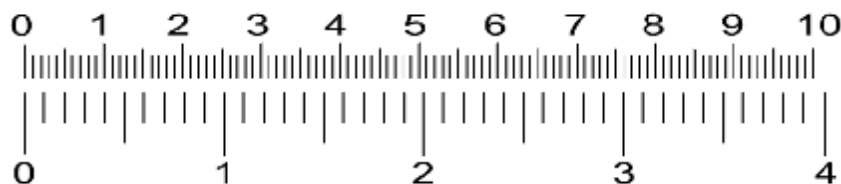
1. We recommend that you assemble this product with the assistance of another person: this will make the assembly easier, and will help eliminate damage to the product or injury to person during assembly.
2. Please do not over tighten screws or bolts until the assembly is completed.
3. Please put all parts on a non-abrasive floor before assembly, and follow the assembly steps to assemble your newly purchased product correctly and efficiently.

PARTS LIST

NO:	COMPONENT	ADRAWING	Q'TY
A	DRESSER		1 PC
B	MIRROR		1 PC
C	SUPPORT		2 PCS

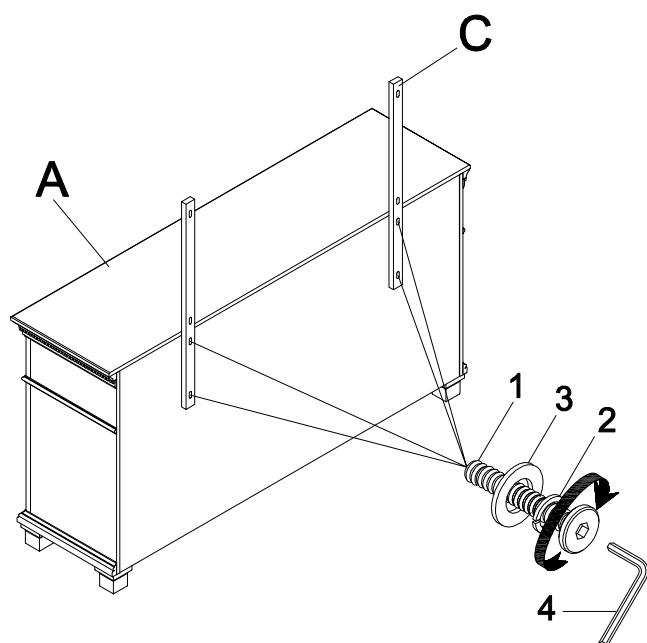
HARDWARE LIST

NO:	COMPONENT	ADRAWING	Q'TY
1	Bolt Ø1/4"x1-1/2"		8 PCS
2	Lock Washer Ø1/4"		8 PCS
3	Flat Washer Ø1/4"x3/4"		8 PCS
4	Allen key		1 PC



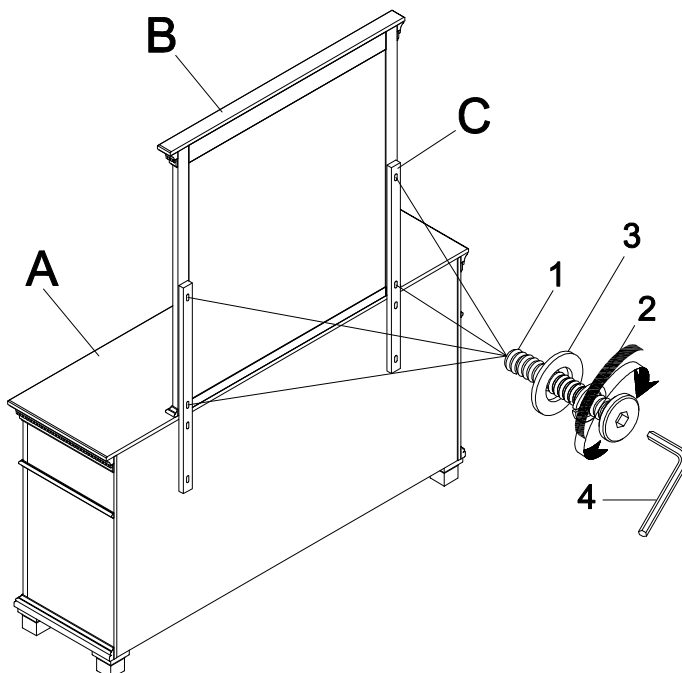
STEP 1

Assemble support (C) onto dresser (A) by using Allen Key (4) with hardware 1, 2, and 3.



STEP 2

Assemble support (C) with mirror (B) by using Allen Key (4) with hardware 1, 2, and 3.



Assembly Instructions



B3941-070 SILVER SANDS CHEST

Thank you for purchasing this quality product. Be sure to check all packing materials carefully for small parts, which may have come loose inside the carton during shipment. Identify and count all items and compare with the PARTS LIST and/or HARDWARE LIST shown below.







Caution: Please read the instructions thoroughly before assembly.

1. We recommend that you assemble this product with the assistance of another person: this will make the assembly easier, and will help eliminate damage to the product or injury to person during assembly.
2. Please do not over tighten screws or bolts until the assembly is completed.
3. Please put all parts on a non-abrasive floor before assembly, and follow the assembly steps to assemble your newly purchased product correctly and efficiently.

PARTS LIST

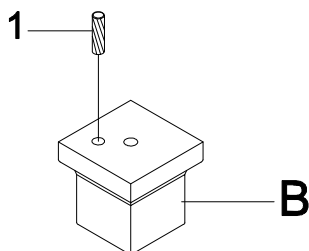
NO:	COMPONENT	ADRAWING	Q'TY
A	CHEST		1 PC
B	FOOT		4 PCS

HARDWARE LIST

NO:	COMPONENT	ADRAWING	Q'TY
1	Wooden Dowel Ø10"x1-5/8"		4 PCS
2	Bolt Ø5/16"x2-3/8"		4 PCS
3	Lock Washer Ø5/16"		4 PCS
4	Flat Washer Ø5/16"x3/4"		4 PCS
5	Allen Key		1 PC
6	Anti-Tipping Kit		1 SET

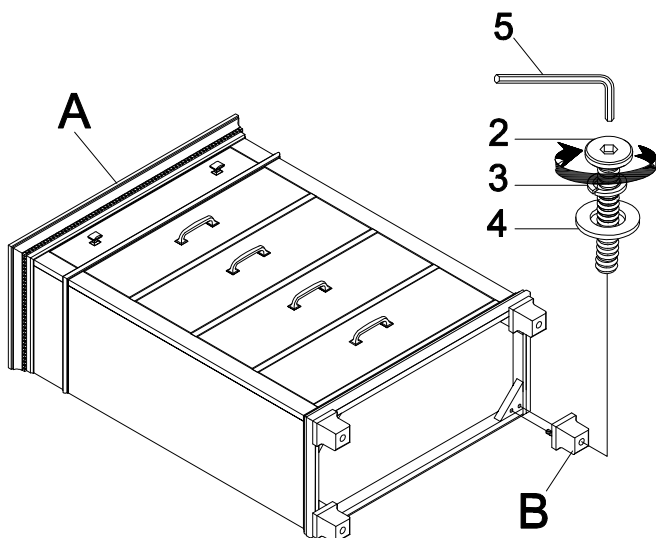
STEP 1

Install the Wooden Dowel (1) into the blind hole on the Foot (B).



STEP 2

Assemble the Foot (B) to Chest (A) by using the Allen Key (5) with hardware 2, 3, and 4.



STEP 3

