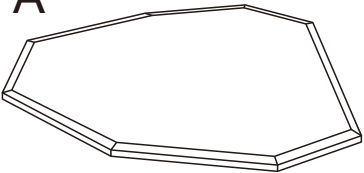
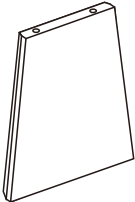





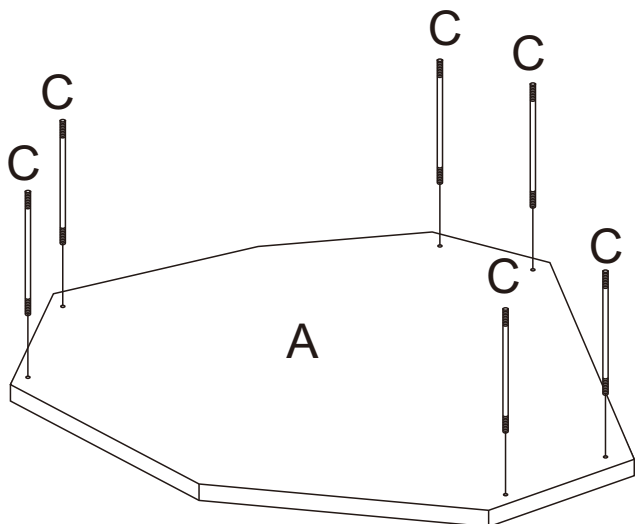


Parts List

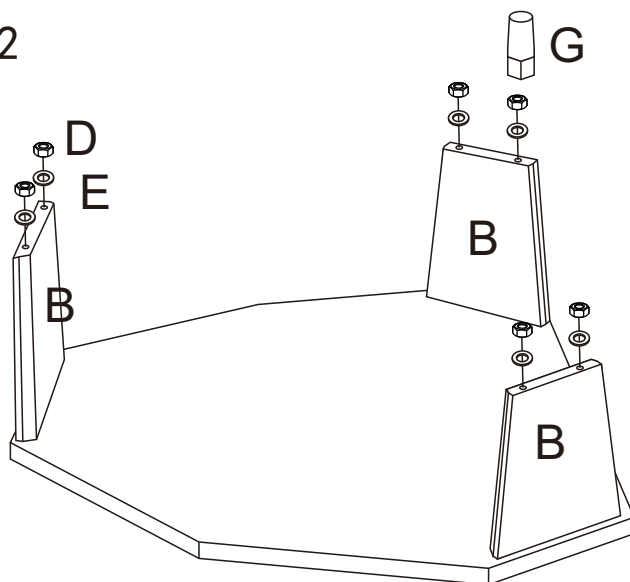
<p>A</p>  <p>x2</p>	<p>B</p>  <p>x6</p>	<p>C</p>  <p>x12</p>	<p>D</p>  <p>x12</p>
<p>E</p>  <p>x12</p>	<p>F</p>  <p>x12</p>	<p>G</p>  <p>x1</p>	

Installation steps

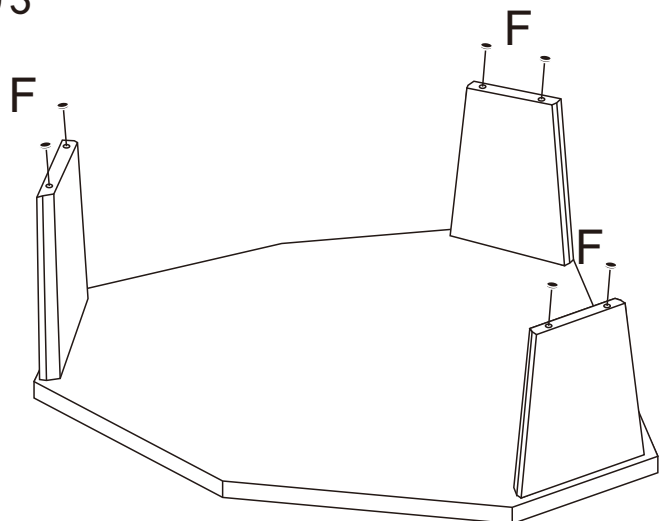
01



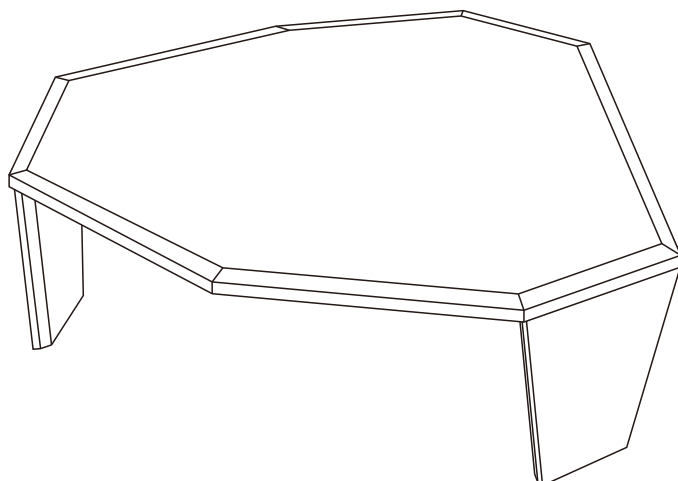
02



03



04



Note: For paint products, be careful not to wear or scratch them during installation. Please place them on foam or cartons for installation.