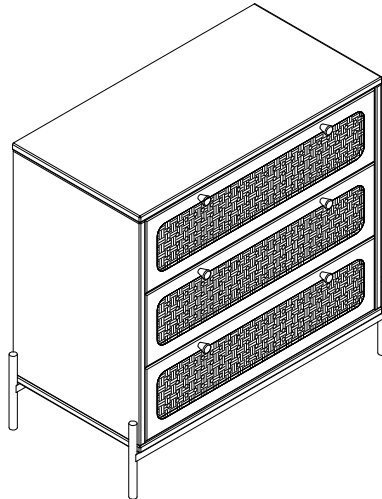


ASSEMBLY INSTRUCTIONS

Rattan Chest Item# WF303226

Tools Required
(Not Provided)



SAFETY PRECAUTION

1. KEEP ALL HARDWARE PARTS OUT OF REACH OF CHILDREN.
2. DISPOSE PLASTIC PACKAGING MATERIAL IMMEDIATELY TO AVOID ANY RISK OF SUFFOCATION TO CHILDREN AND ANIMALS.

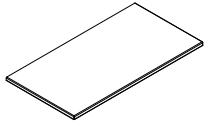
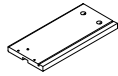
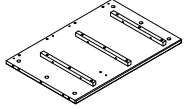
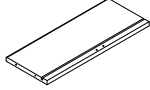
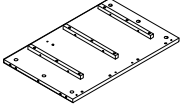
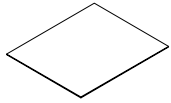
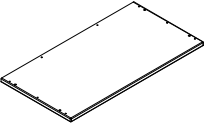
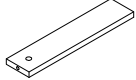
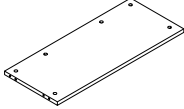
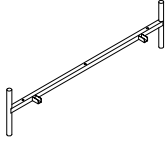
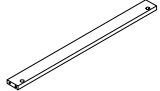
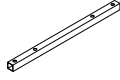
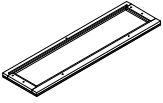
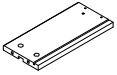
TIPS FOR ASSEMBLY

1. Allow ample room for assembly and assemble the product near where product will be placed.
2. Assemble the product on a surface that does not scratch or damage the exterior gloss and finish of the furniture.
3. Identify all of the parts, hardware and quantities required for each step.
4. During assembly, do not over-tighten any fittings as this may cause damage.
5. DO NOT USE POWER TOOLS TO ASSEMBLE THIS PRODUCT.
6. Always place the product on a flat, level surface.
7. Do not sit or stand on the partially assembled product; only use the product for which it is intended.

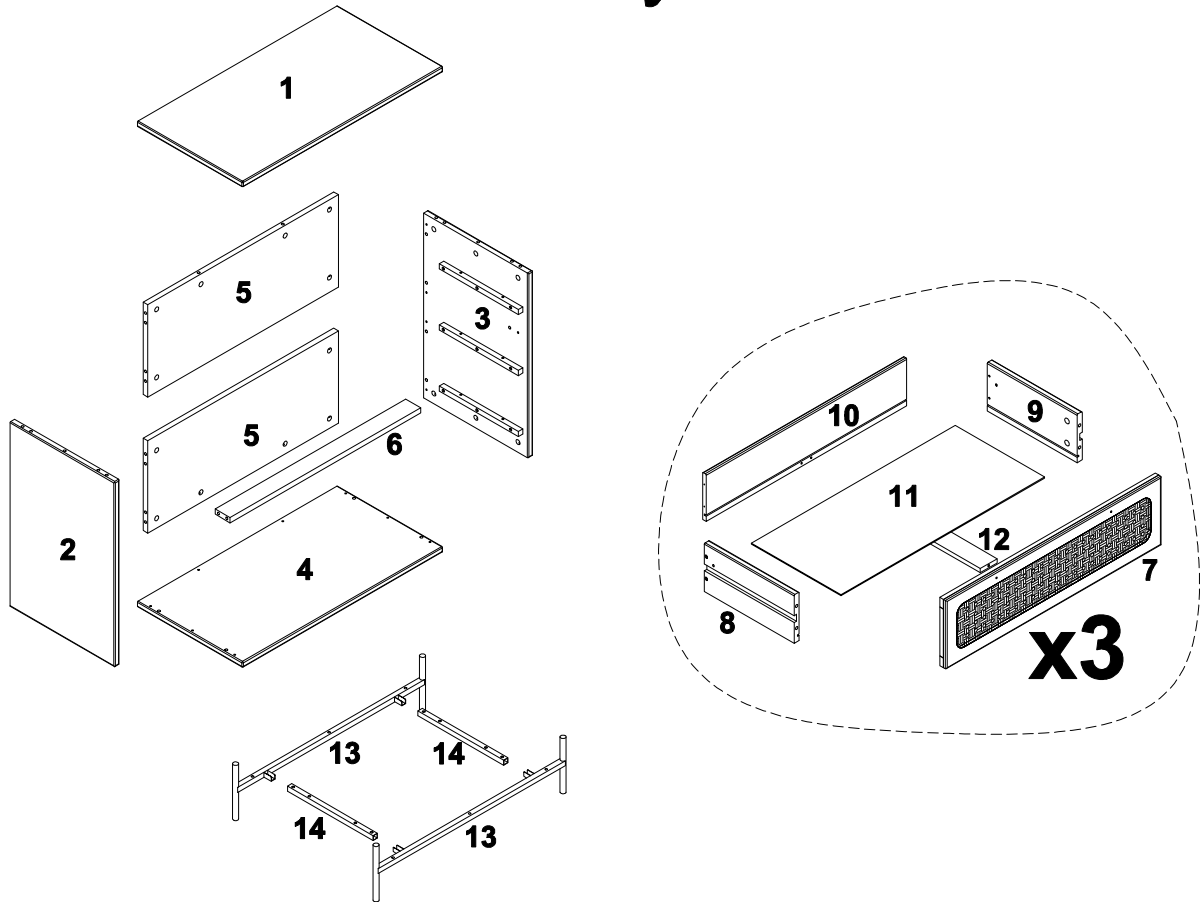
CARE AND MAINTENANCE

- Use a slightly damp cloth to clean the product. Do not use bleach or abrasive cleaning material.
- Check all the fittings periodically and re-tighten as necessary. Do not use the product if any of the parts is damaged or broken.
- Never allow any kind of liquid to remain on your furniture. Absorption can cause wood to warp or delaminate.
- Do not place hot items (e.g. hot drinks) directly onto the wood surface.
- Do not drag and/or pull the furniture.







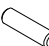








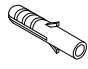
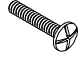

Parts List

ITEM	DESCRIPTION	PART	QTY	ITEM	DESCRIPTION	PART	QTY
1	Top Panel		1pc	9	Drawer Right Panel		3pcs
2	Left Frame		1pc	10	Drawer Back Panel		3pcs
3	Right Frame		1pc	11	Drawer Bottom Panel		3pcs
4	Bottom Panel		1pc	12	Drawer Bottom Bar		3pcs
5	Back Panel		2pcs	13	Metal Leg		2pcs
6	Front Bar		1pc	14	Metal Bottom Bar		2pcs
7	Drawer Front Panel		3pcs				
8	Drawer Left Panel		3pcs				

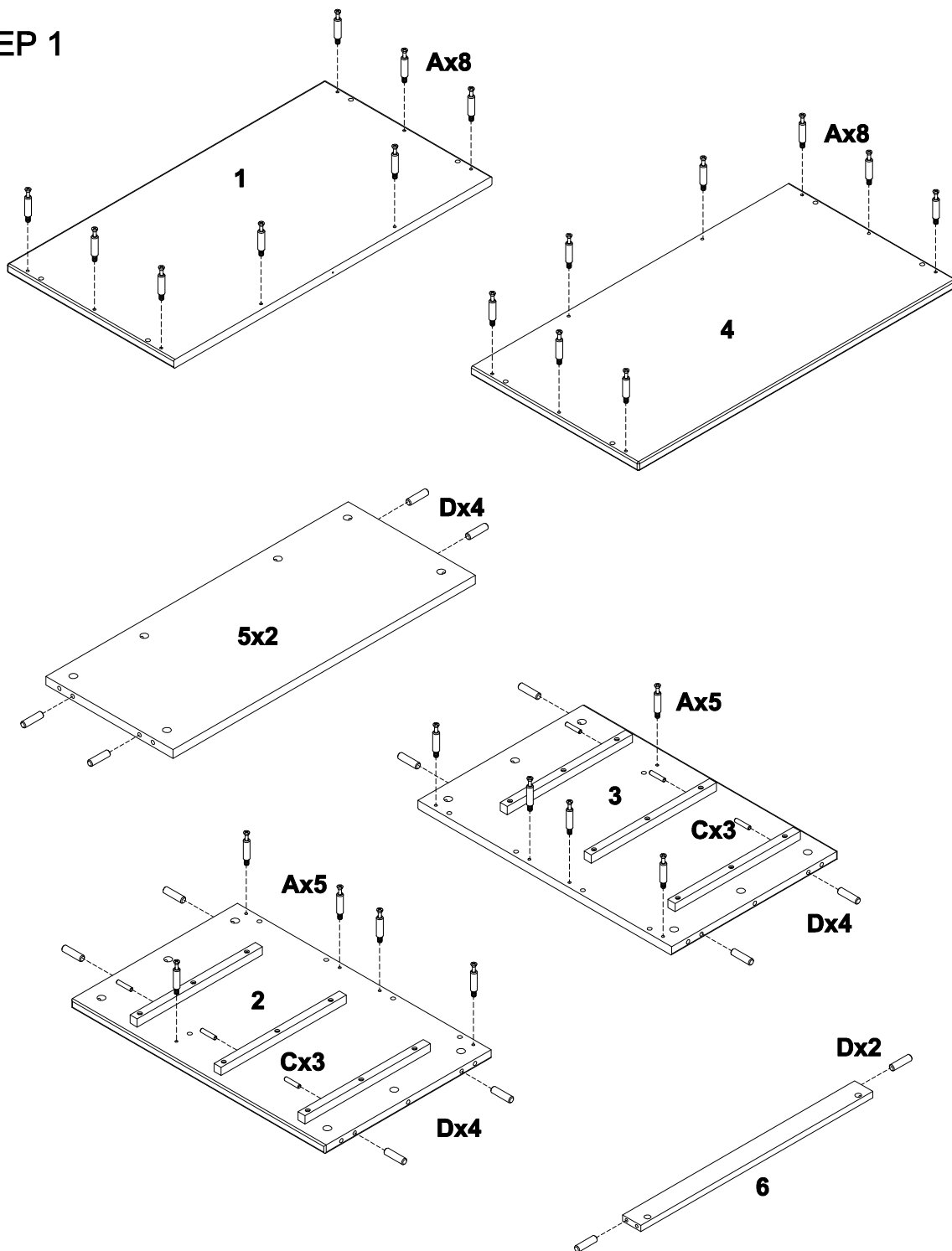
Parts Assembly Overview



Hardware List

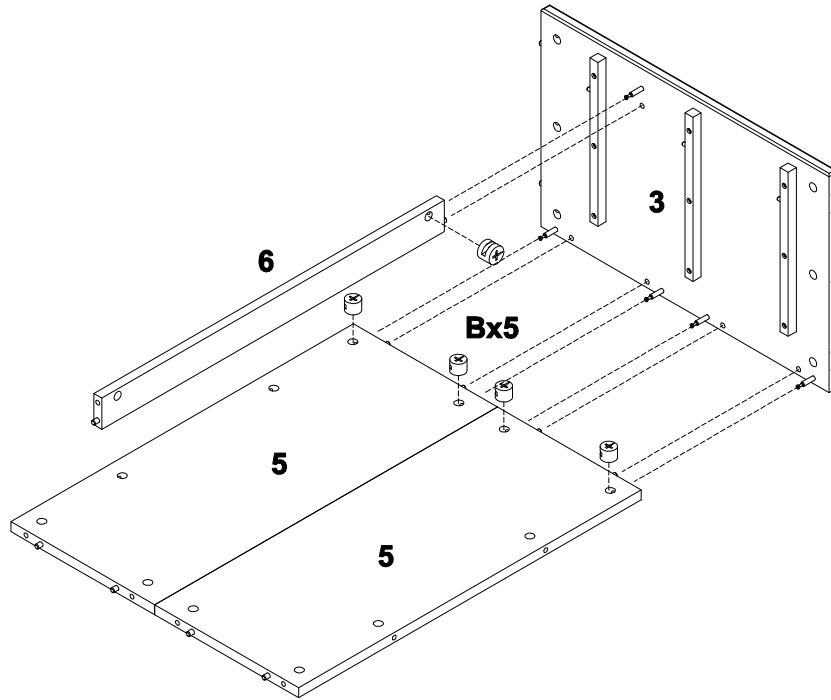
ITEM	DESCRIPTION	HARDWARE	QTY	ITEM	DESCRIPTION	HARDWARE	QTY
A	Cam-bolt	 D15	38pcs	J	Screw	 M6*15	4pcs
B	Cam-lock	 D15	38pcs	K	Screw	 M6*30	10pcs
C	Wood Dowel	 6*40mm	12pcs	L	Allen Key		1pc
D	Wood Dowel	 8*30mm	18pcs	M	Screw	 3.5*25mm	6pcs
E	Cam-bolt	 D12	3pcs	N	Screw	 3.5*15mm	1pc
F	Cam-lock	 D12	3pcs	O	Strap		1pc
G	Screw	 3.5*30mm	12pcs	P	Washer		2pcs
H	Handle		6pcs	Q	Anchor		1pc
I	Screw		6pcs	R	Screw	 3.5*30mm	1pc

STEP 1



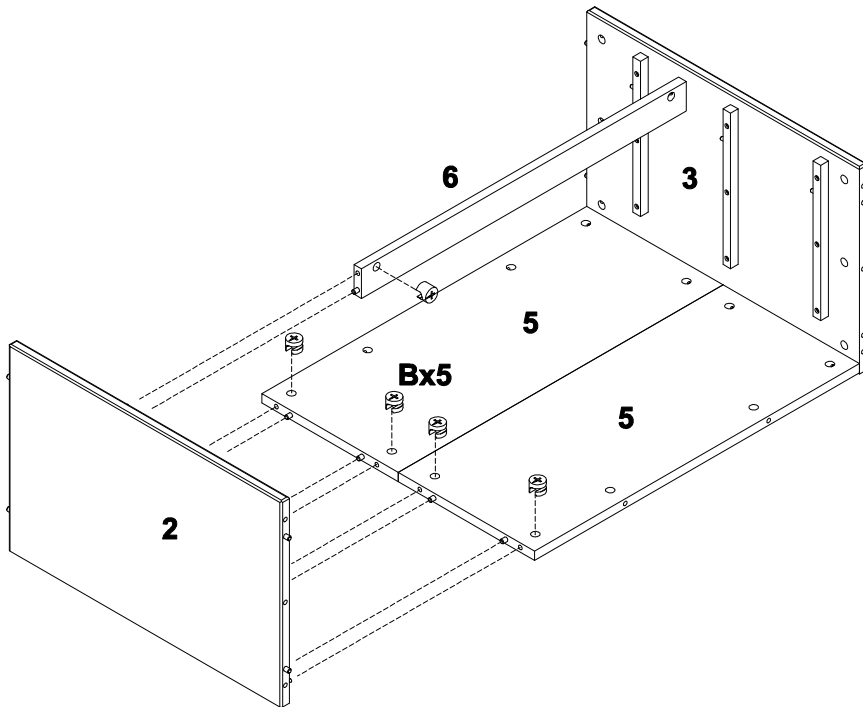
- Lay Top Panel (1) flat down with bottom-side facing up. Screw in Cam-bolt (A) into designated holes as shown. Same operations to Bottom Panel (4).
- Insert both Wood Dowel (C) and Wood Dowel (D) into designated holes on Left Frame (2) and Right Frame (3). Screw in Cam-bolt (A) into designated holes as shown.
- Insert Wood Dowel (D) into designated holes as shown on Back Panels (5) and Front Bar (6).

STEP 2



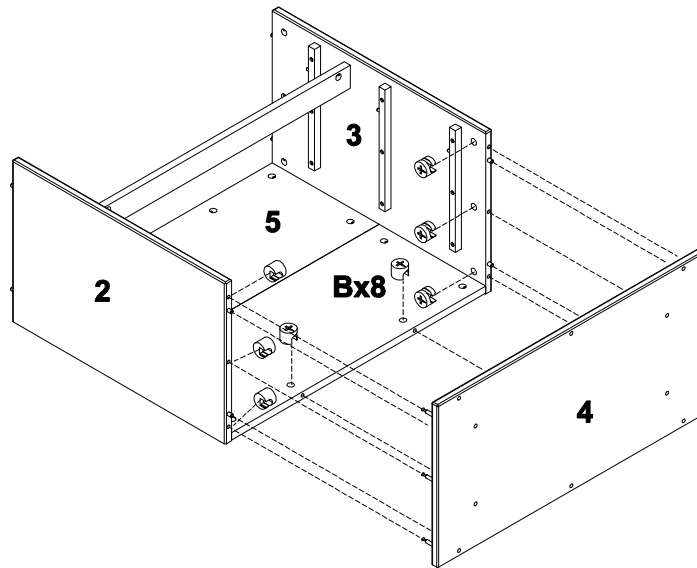
- Attach Front Bar (6) and Back Panels (5) to Right Frame (3).
- Insert Cam-lock (B) into the designated hole on (5) & (6) and then turn clockwise to lock onto Cam-bolt.

STEP 3



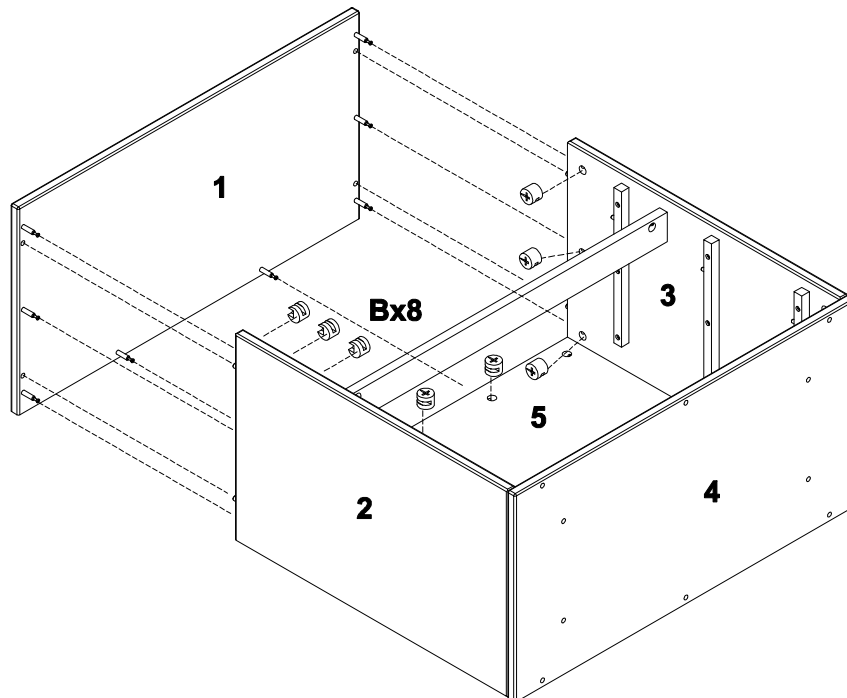
- Attach Front Bar (6) and Back Panels (5) to Left Frame (2).
- Insert Cam-lock (B) into the designated hole on (5) & (6) and then turn clockwise to lock onto Cam-bolt.

STEP 4



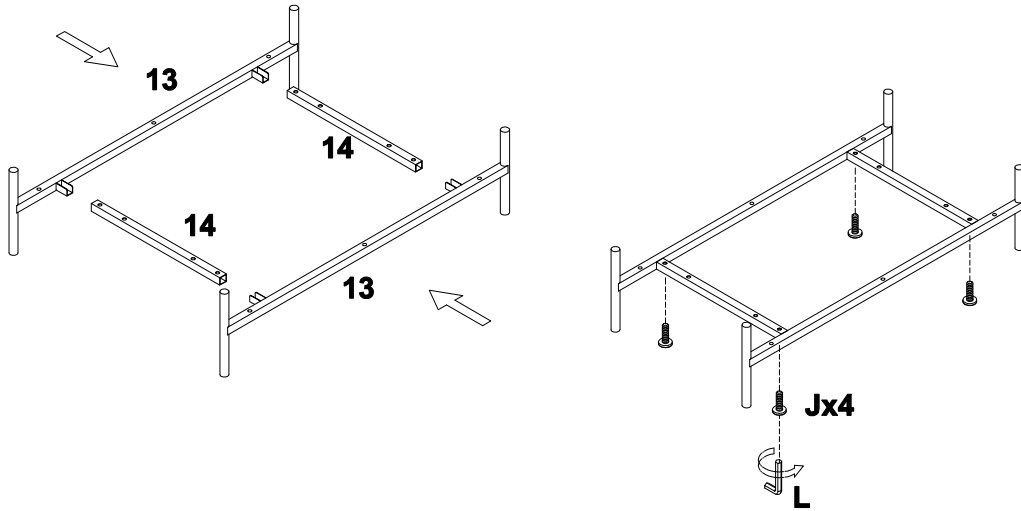
- a) Attach Bottom Panel (4) to Left Frame (2), Right Frame (3) and Back Panel (5).
- b) Insert Cam-lock (B) into the designated holes on (2) & (3) & (5) and then turn clockwise to lock onto Cam-bolt.

STEP 5



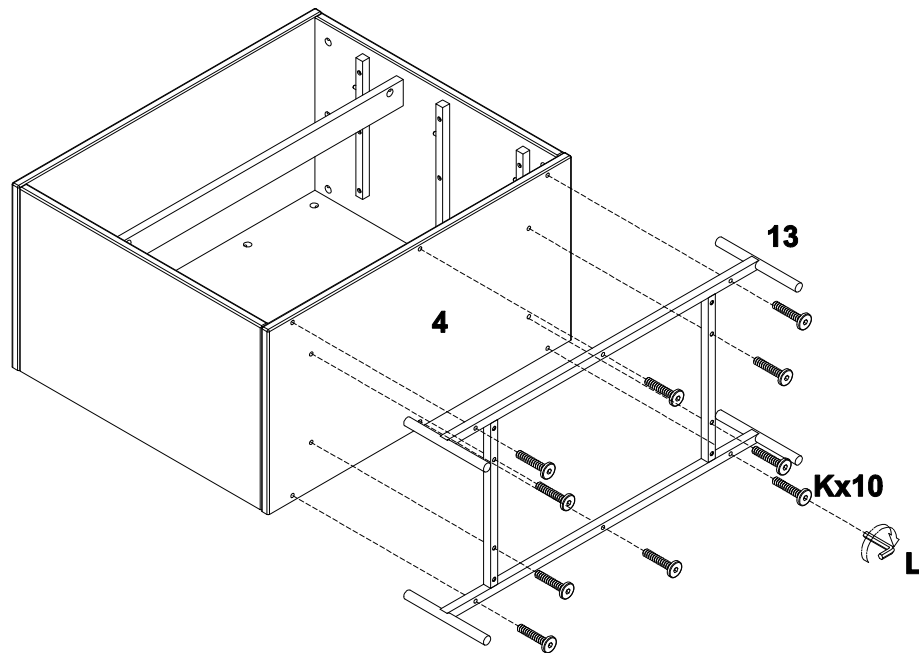
- a) Attach Top Panel (1) to Left Frame (2), Right Frame (3) and Back Panel (5).
- b) Insert Cam-lock (B) into the designated holes on (2) & (3) & (5) and then turn clockwise to lock onto Cam-bolt.

STEP 6



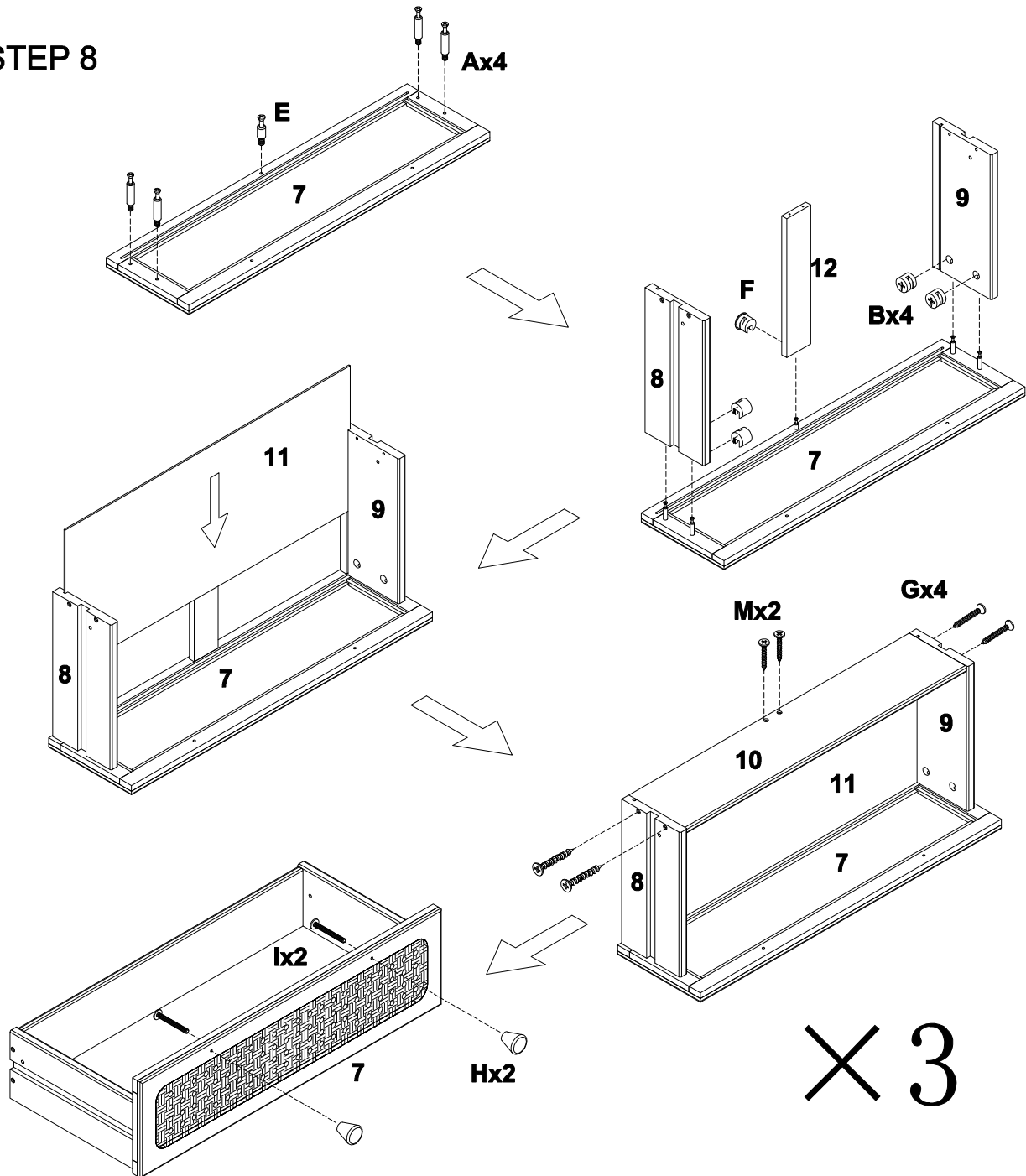
- a) Inset Metal Bottom Bar (14) into Metal Leg (13).
- b) Lock 13 & 14 with Screw (J) by Allen Key (L).

STEP 7



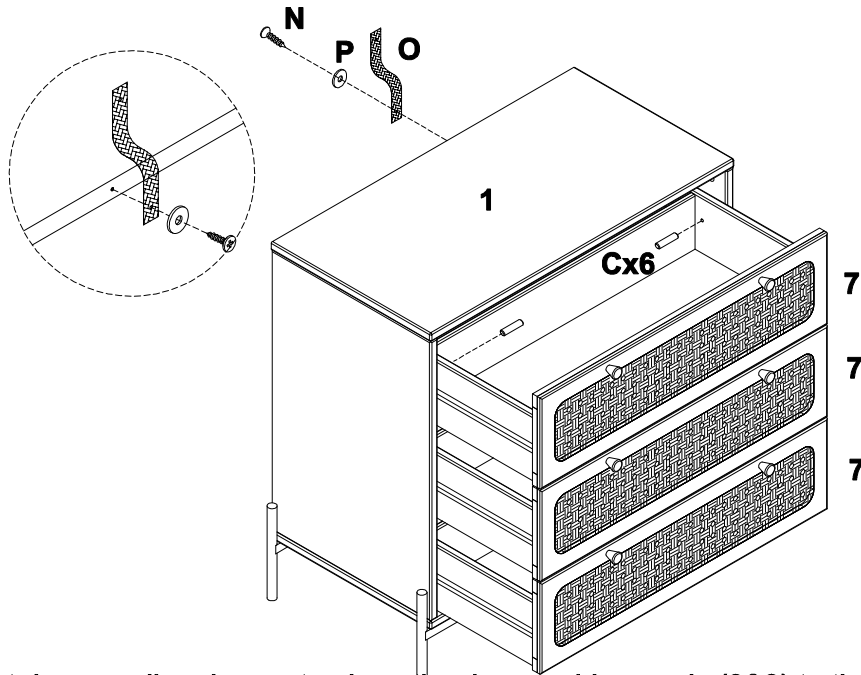
- a) Attach Metal Leg frame to Bottom Panel (4).
- b) Lock the two parts with Screw (K) by Allen Key (L).

STEP 8



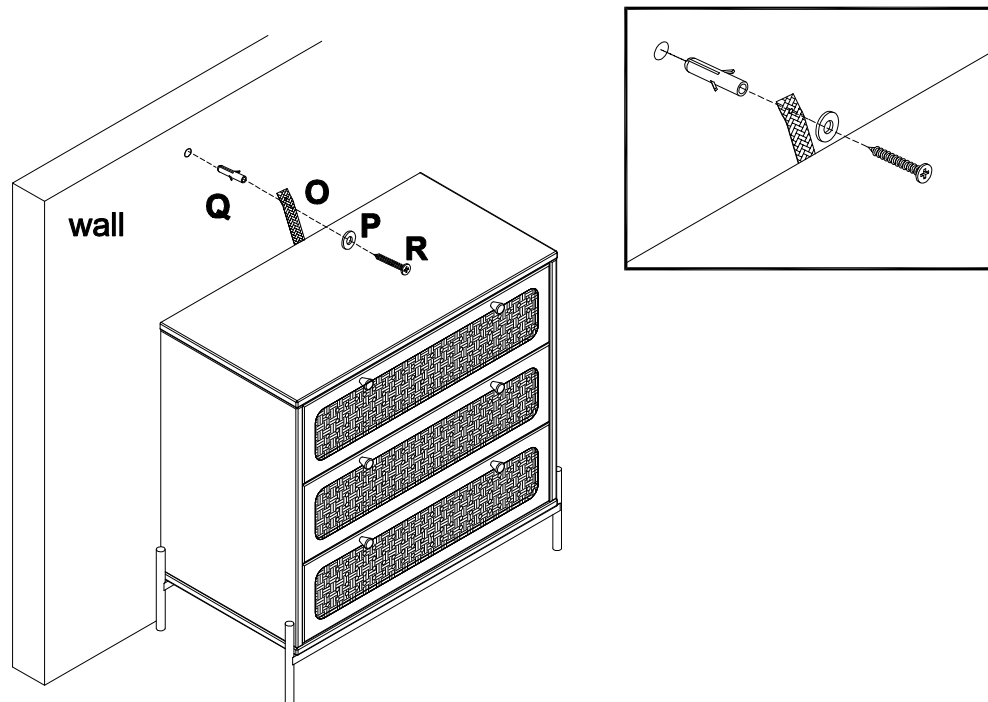
- Lay Drawer Front Panel (7) bottom-side facing up, screw in Cam-bolt (A) and Cam-bolt (E) into the designated holes as shown.
- Attach Drawer Left Panel (8) & Right Panel (9) & Drawer Bottom Bar (12) as shown. Next, insert Cam-lock (B) on (8&9) and Cam-lock (F) on (12) and turn clockwise to lock onto cam-bolt on (7).
- Fit Drawer Bottom Panel (11) via groove on (7, 8&9).
- Fit Drawer Back Panel (10) between (8&9) and use Screw (G) to fasten (10) to (8&9). Affix Drawer Back Panel (10) and Drawer Bottom Bar (12) with Screw (M).
- Affix Handle (H) to Drawer Front Panel (7) with Screw (I).

STEP 9



- To insert drawer, align drawer track on the drawer side panels (8&9) to the drawer runner on the side frames (2&3), and then push the drawer in gently.
- Insert Wood Dowel (C) into designated hole at the rear of each side panel to serve as stopper.
- Fasten Strap (O) to the back edge of Top Panel (1) with Screw (N) fitted with Washer (P).

STEP 10



- Select the location to place the unit.
- Drill a hole in the dry wall to fit Anchor (Q) snugly and insert (Q). Ensure that the anchor fits securely in the wall.
- Affix the Strap (O) to the anchor by using Screw (R) and Washer (P).

The assembly is complete.