

ASSEMBLY INSTRUCTION

MODEL : BLANCA
DRESSER & MIRROR

**(BOX 1)
BOX OF MIRROR**

NO	ITEM	QTY
A	MIRROR	1
B	MIRROR SUPPORT	2

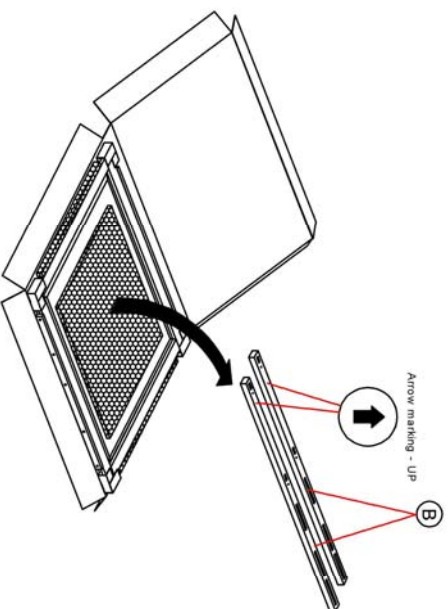
**(BOX 2)
BOX OF DRESSER**

NO	ITEM	QTY
C	DRESSER	1

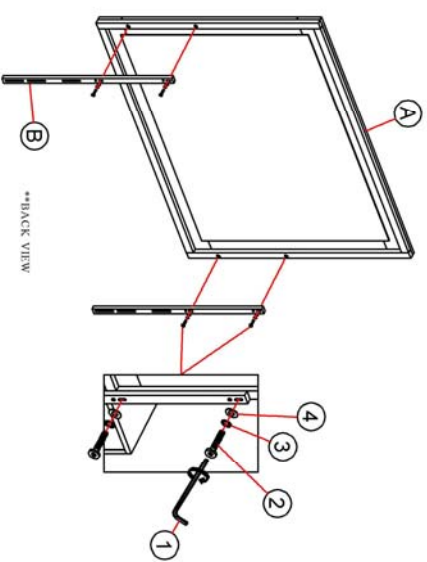
**(BOX 1)
HARDWARE LIST**

NO	ITEM	QTY
1	ALLEN WRENCH M4 X 65MM BLK	1
2	JCBC M6 X 35MM BLK	8
3	SPRING WASHER 1/4" BLK	8
4	FLAT WASHER 1/4" ID X 19MMOD BLK	8

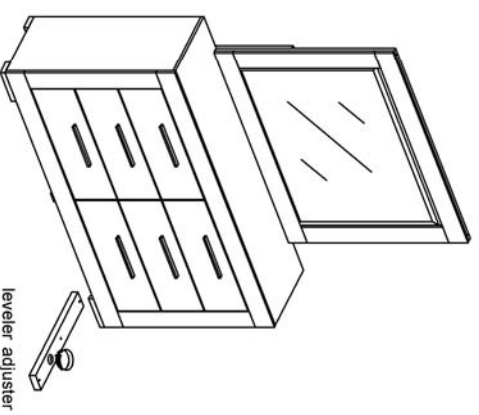
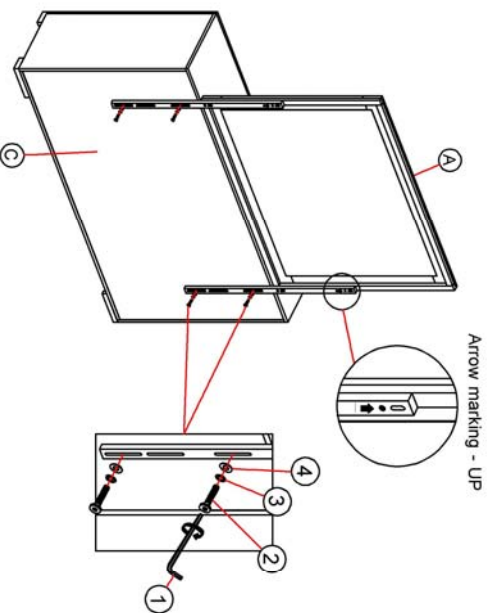
STEP 1
Take out the Mirror support rails (B) from the carton box.



STEP 2
Attach Mirror Support Rail (B) to Mirror (A) as shown and fasten using JCBC Bolt (2), Spring Washer (3), Flat Washer (4) with Allen Wrench (1).



STEP 3
Place the Mirror (A) on the top of Dresser (C) as shown. Align & fasten mirror support (B) to the back of dresser (C) using JCBC Bolt (2), Spring Washer (3), Flat Washer (4) with Allen Wrench (1).



COMPLETED
ASSEMBLY

NOTE : MUST TIGHTEN SCREWS PERIODICALLY WITH USE SCREW WILL BECOME LOOSE. CHECK TIGHTNESS OF ALL SCREW EVERY 6-8 WEEKS.
DO NOT TIGHTEN BOLTS UNTIL COMPLETELY ASSEMBLED.