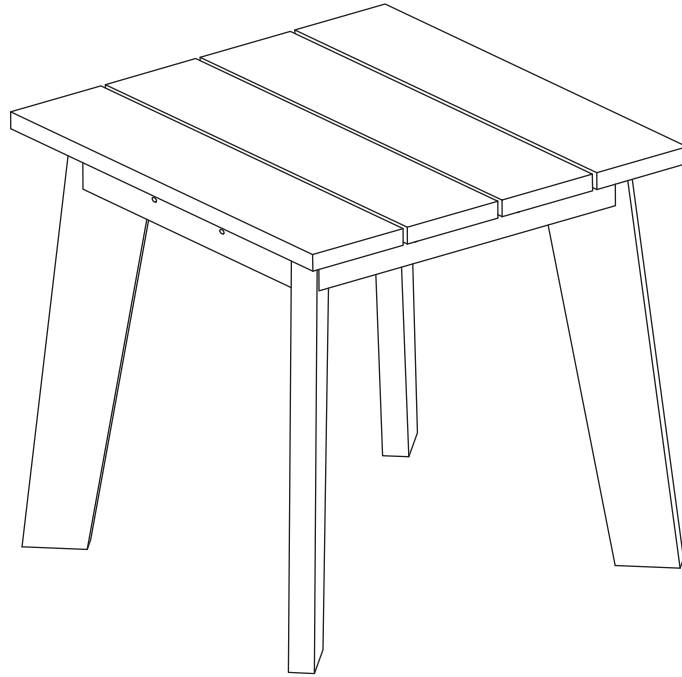


ADIRONDACK SIDE TABLE



Assembly Consideration

Do not overtighten screws(Screw in all screws before tighten them)

Follow Assembly Instructions Step by Step

Do not discard original packaging if your received items damaged or with missing parts

Count all Hardware parts before starting assembly

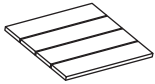
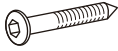


Assemble items in a clear area and away from clutter to avoid misplacing assembly items

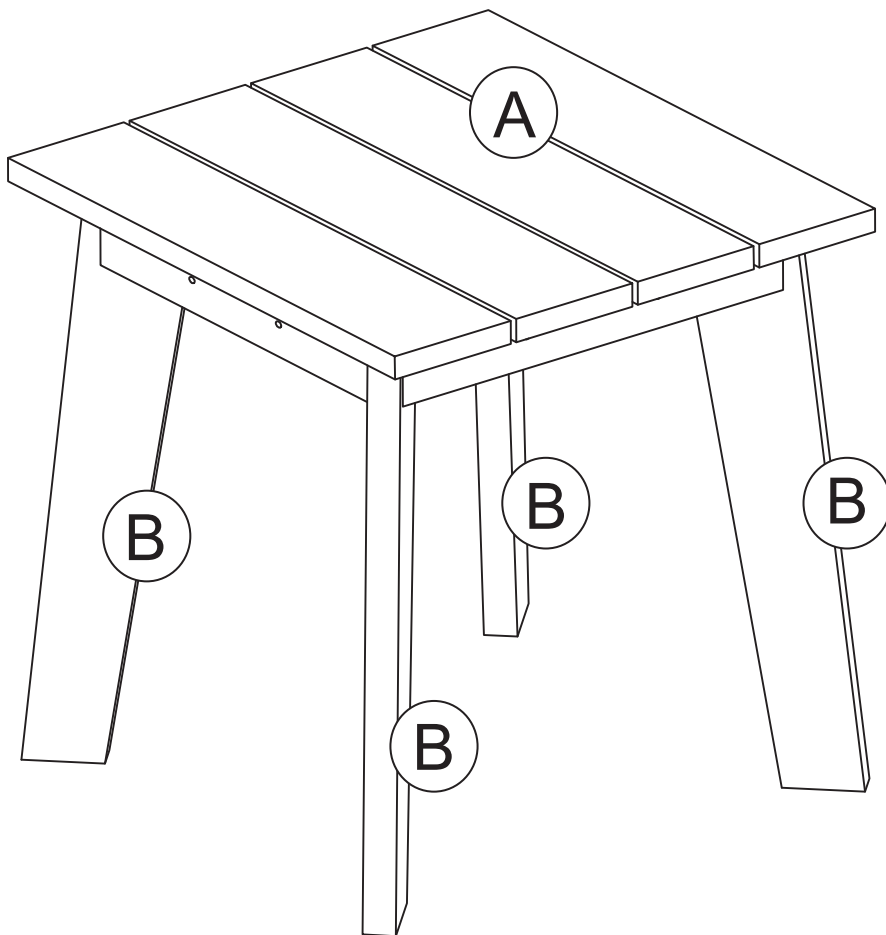


Safety Precautions

Avoid Using strong powertools to help prevent parts from cracking when assembly

Weight Capacity: 70 kg / 150lbs

A		1PC	1	 M6.3x50 mm	8PCS
B		4PCS	2		1PC



STEP1:

