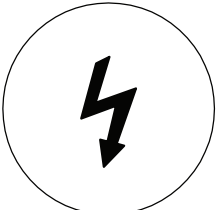


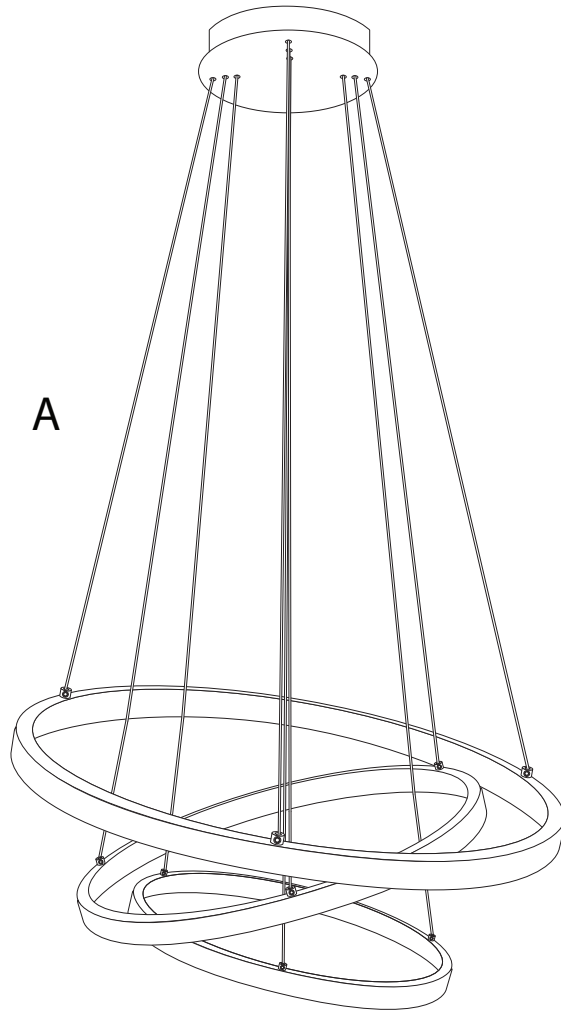
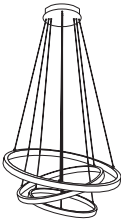
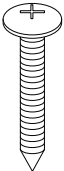
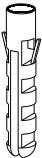
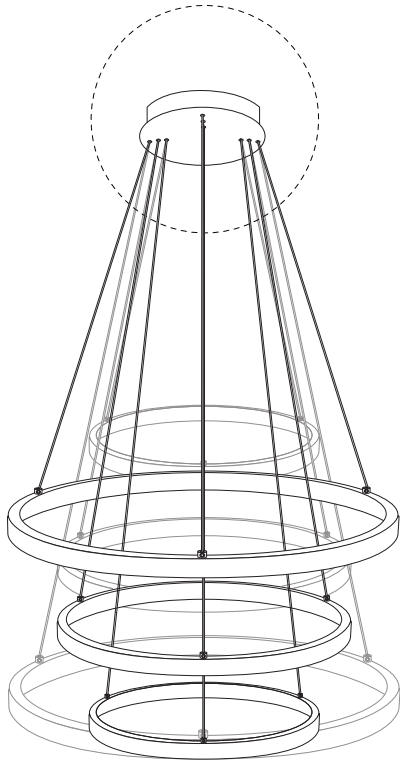

		<p>20'</p>
		
		<p>1</p>

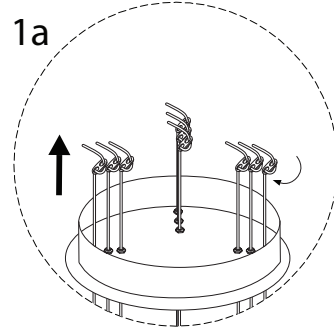


A

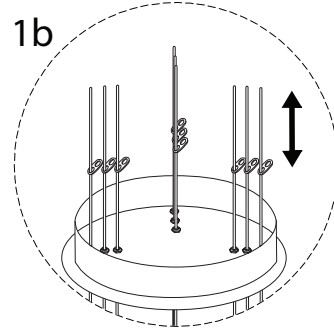
<p>A</p>  <p>x 1</p>	<p>B</p>  <p>x 2</p>	<p>C</p>  <p>x 2</p>
---	---	---



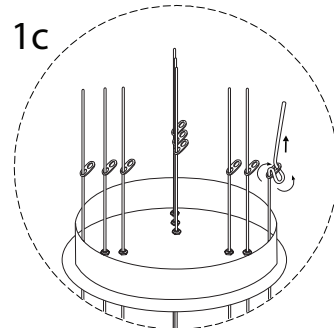
1a



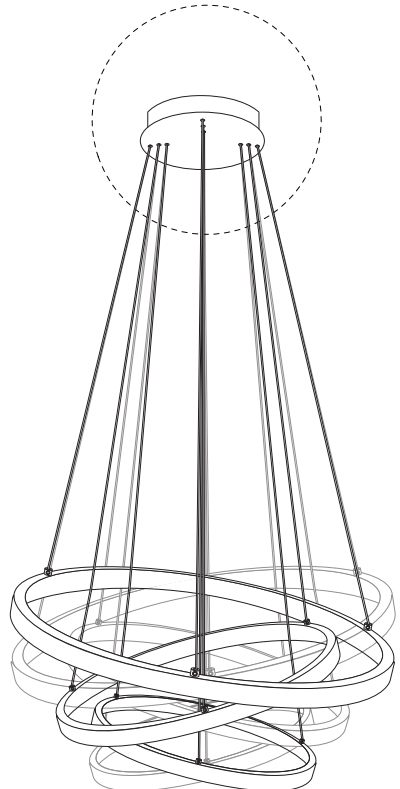
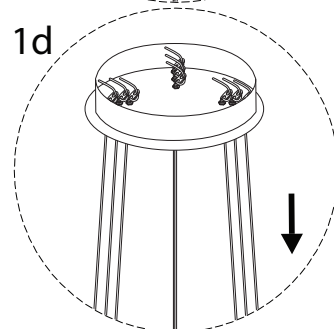
1b



1c



1d

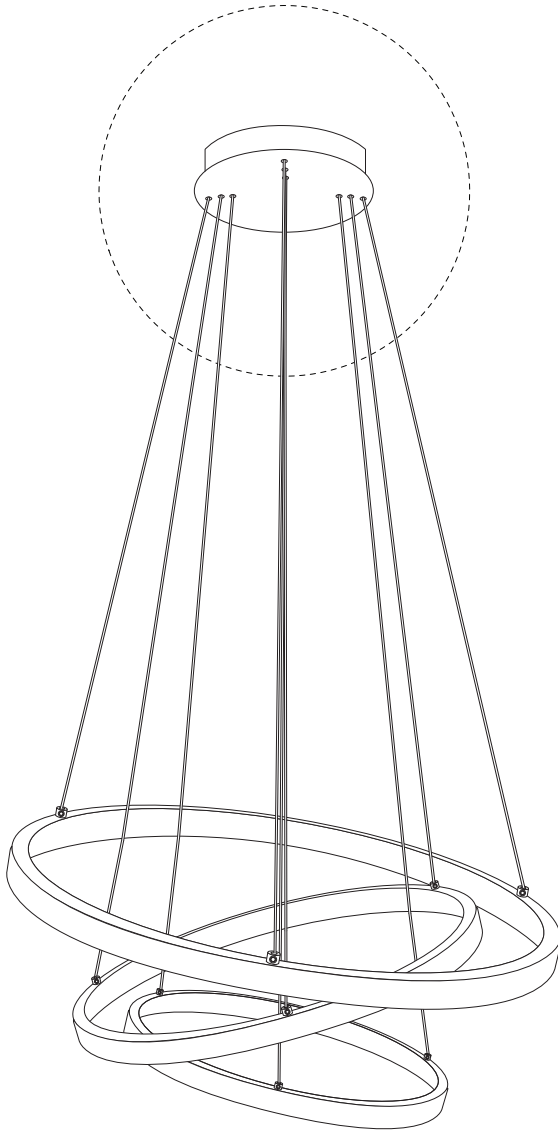


1

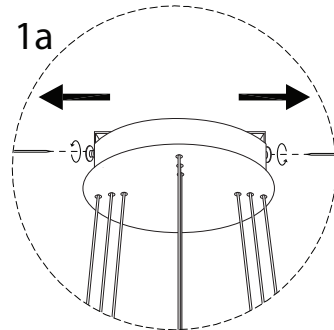
A



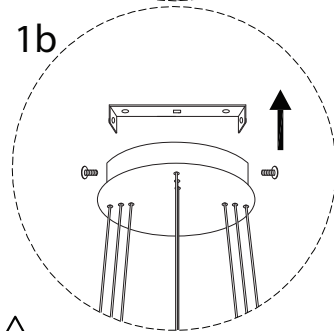
x 1



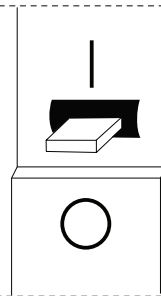
1a



1b



OFF



2

