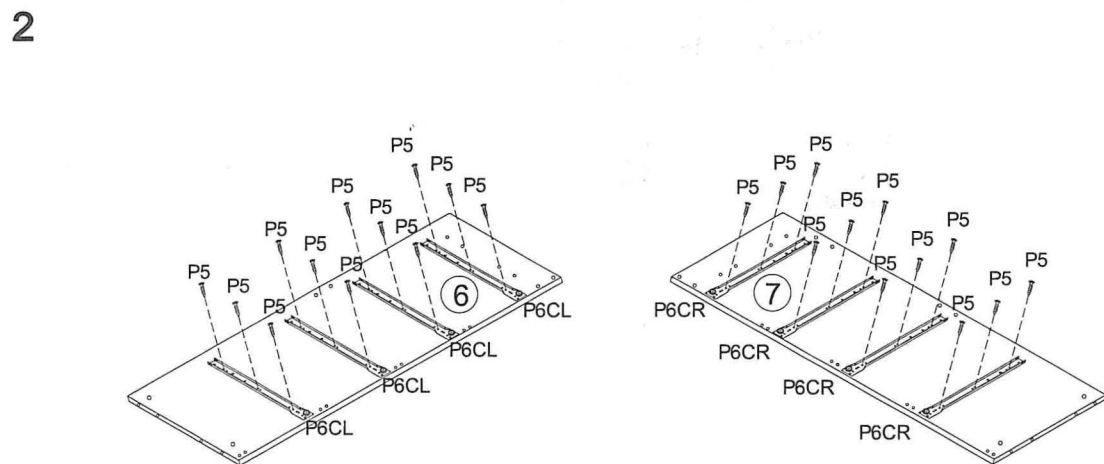
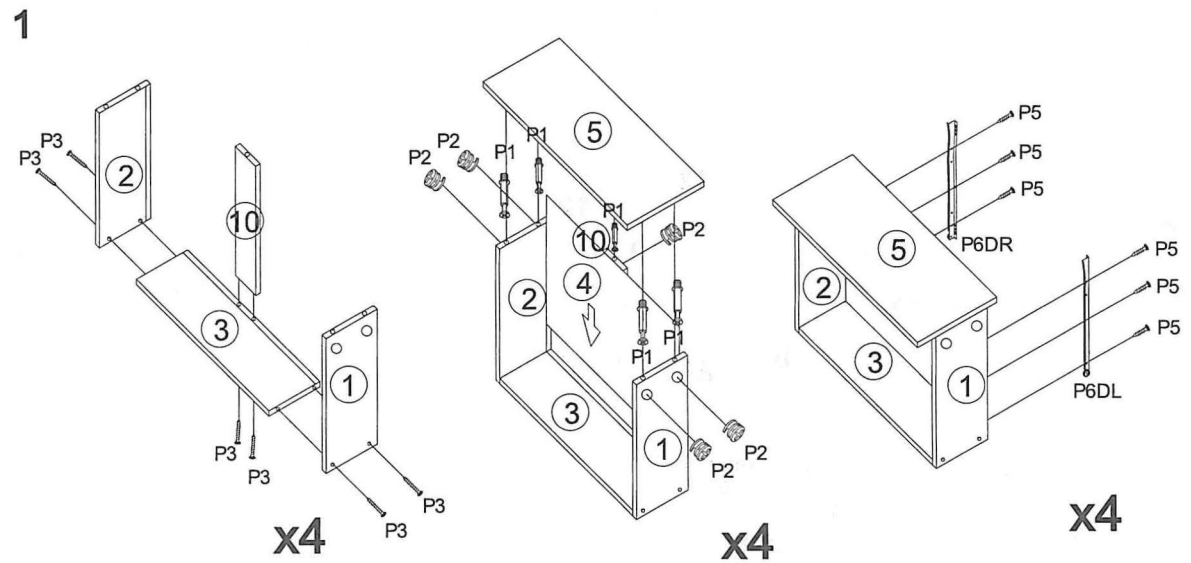
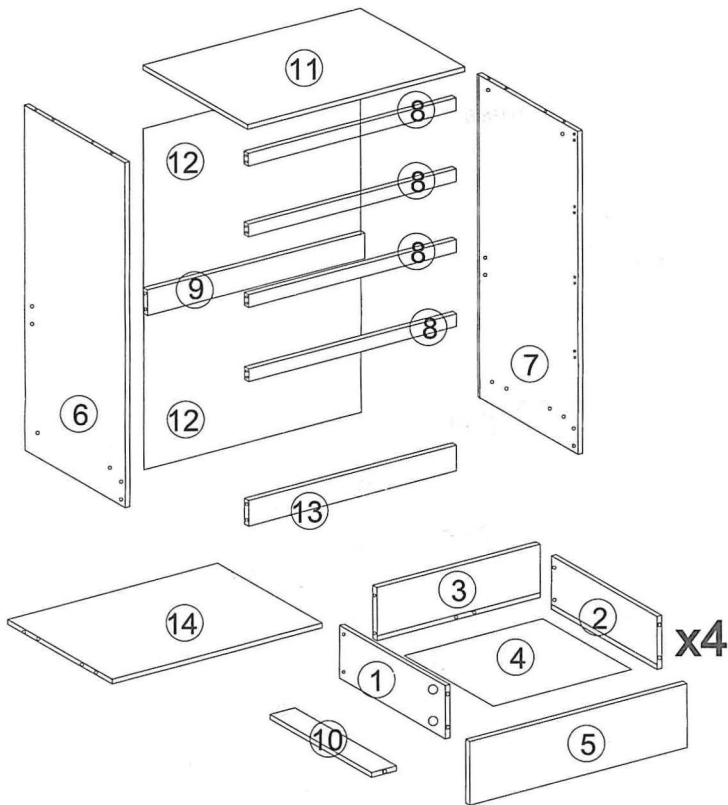
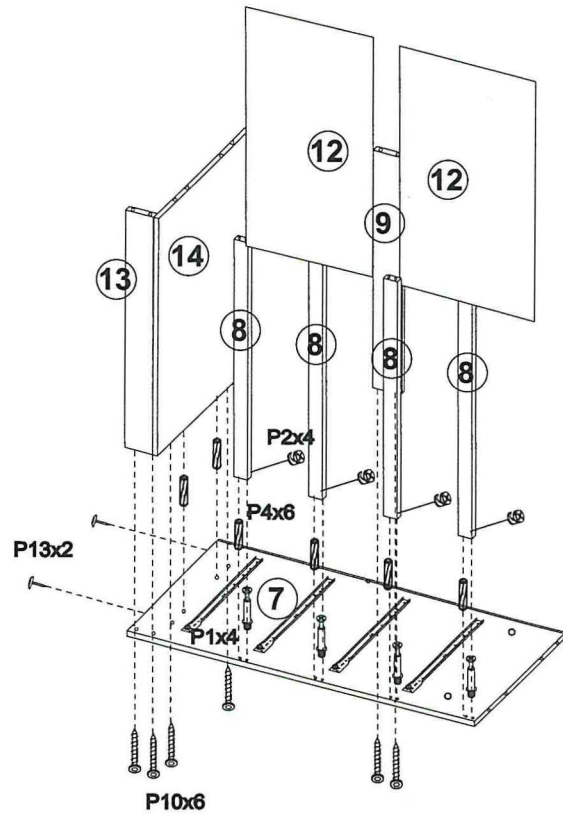


ASSEMBLING INSTRUCTIONS

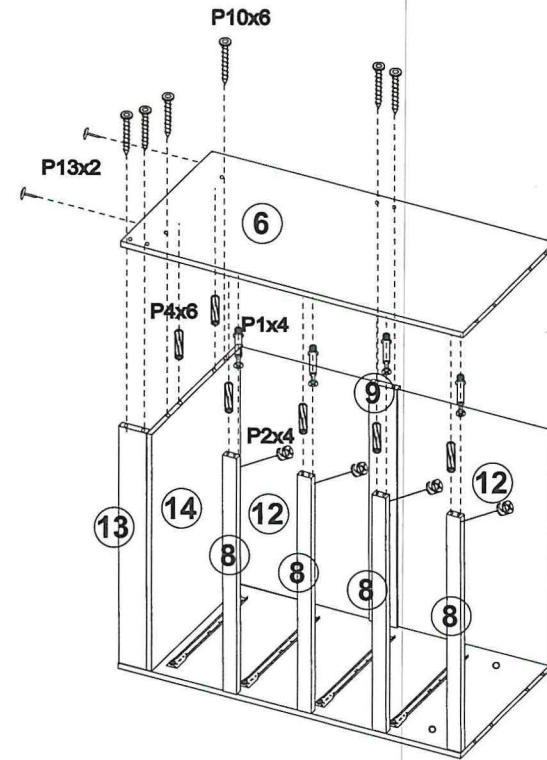


P1		32 PCS	P9		4 PCS
P2		32 PCS	P10	M5x40mm	12 PCS
P3	M4x35mm	28 PCS	P11		12 PCS
P4	M8x30mm	16 PCS	P12		1 PC
P5	M3.5x12mm	50 PCS	P13		4 PCS
P6	CL DL DR CR	4 SETS			
P7		2 PCS			
P8		2 PCS			

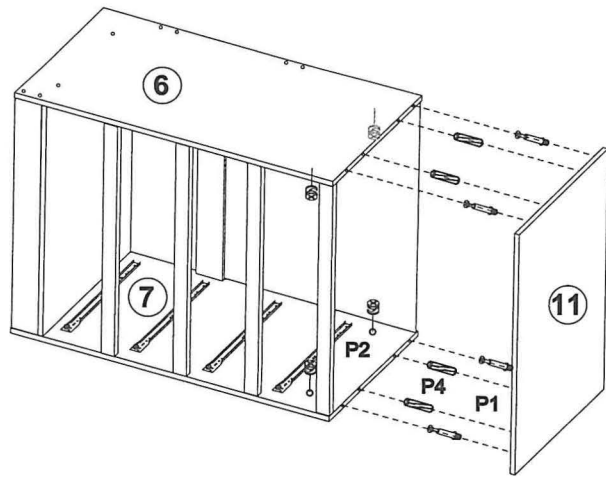
3



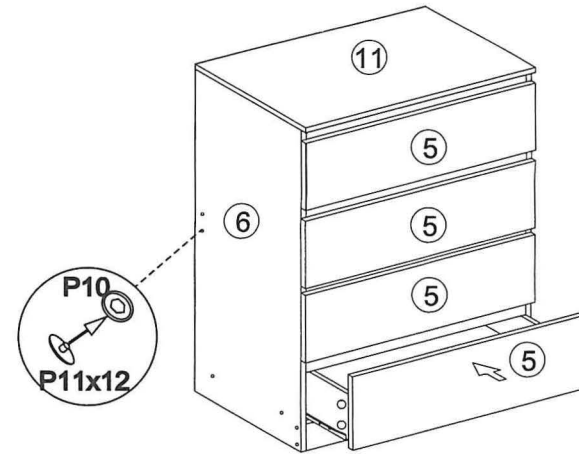
4



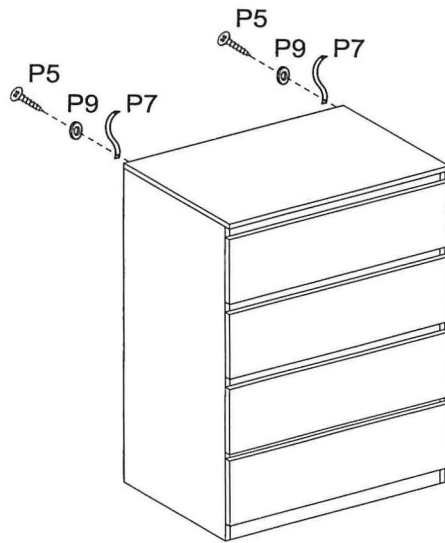
5



6



7



8

