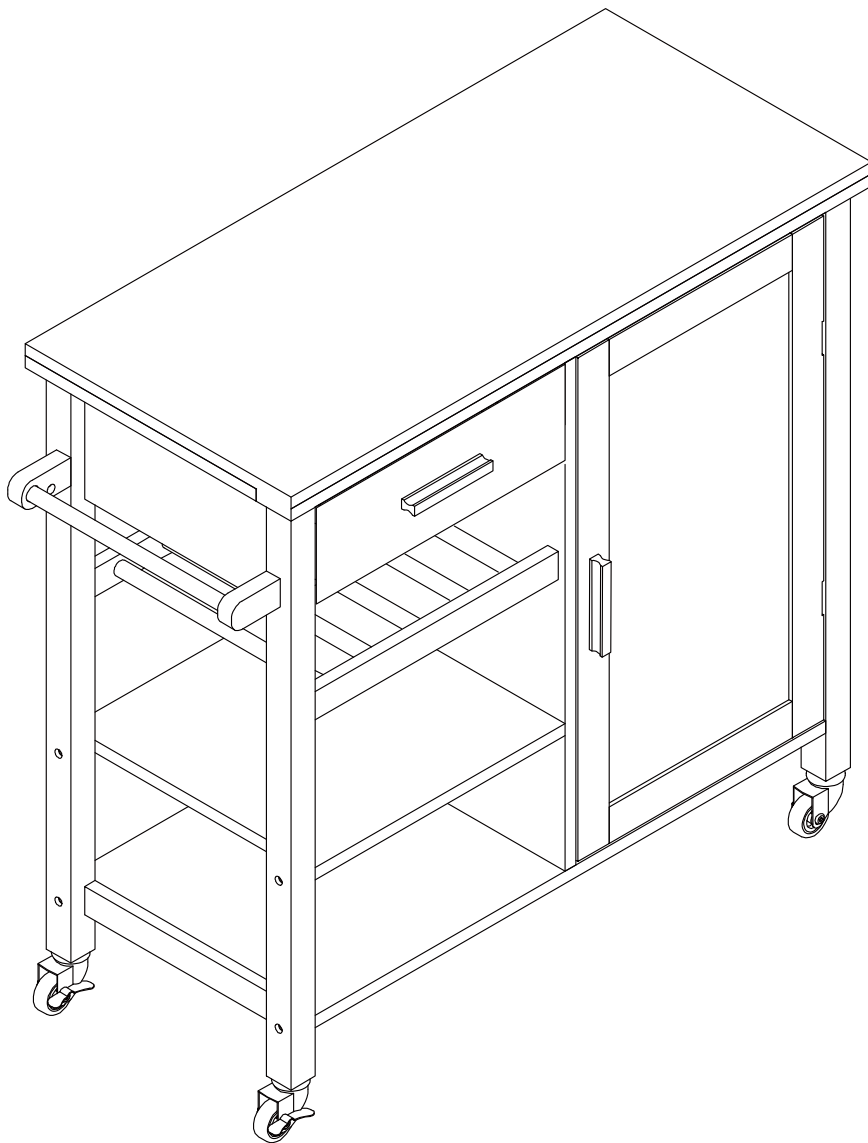
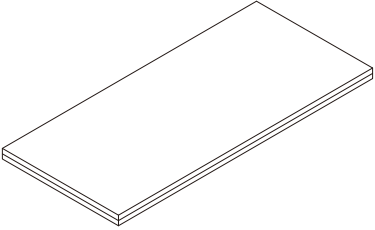
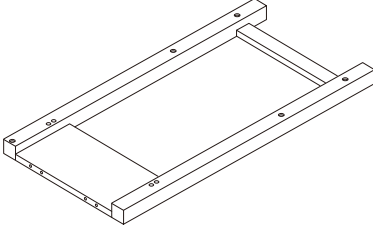

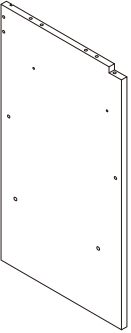
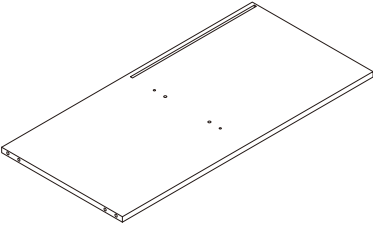
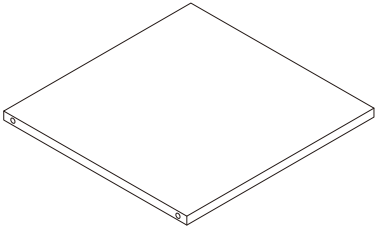
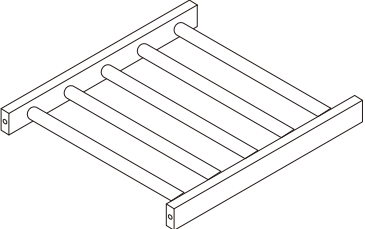
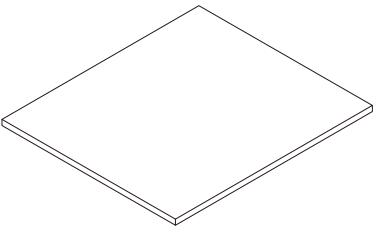
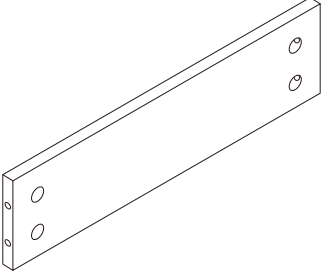
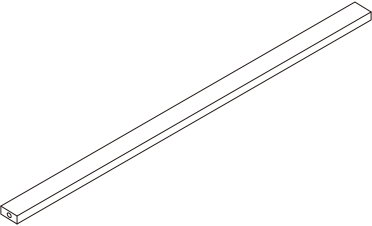
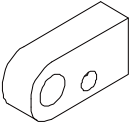
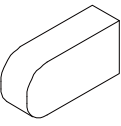


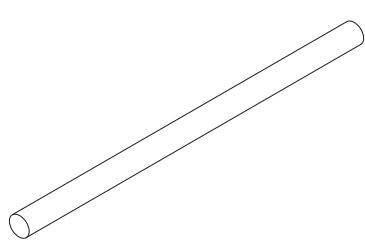
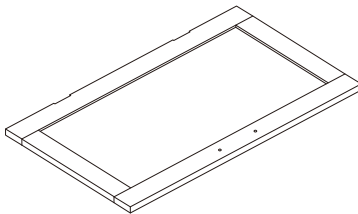
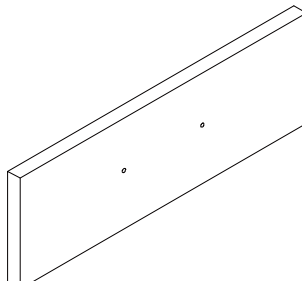
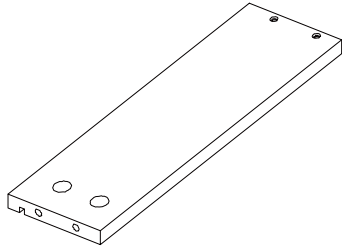
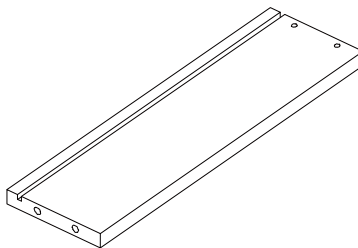
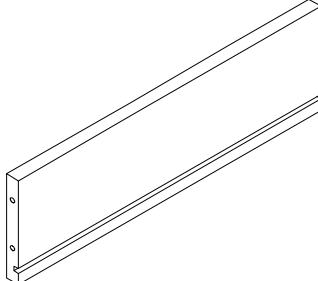
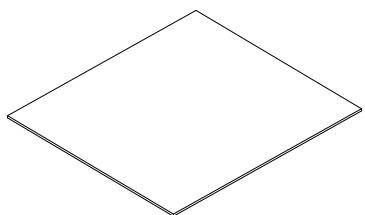
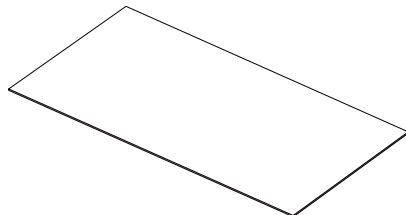
2406559

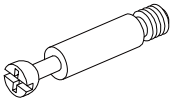

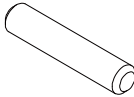
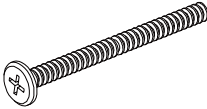

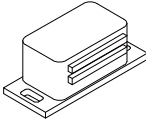
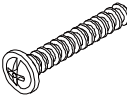
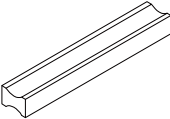
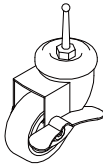
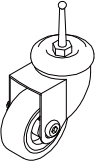
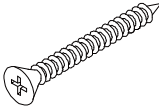

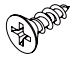

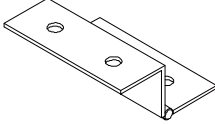
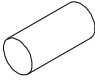
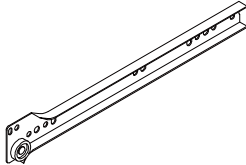
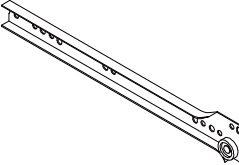
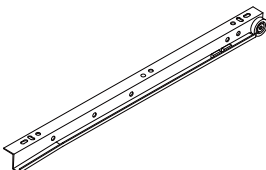
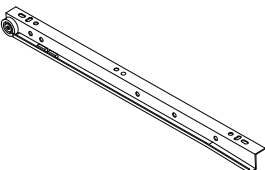
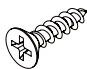
ASSEMBLY INSTRUCTIONS

<<Before assembling, read all the instructions>>

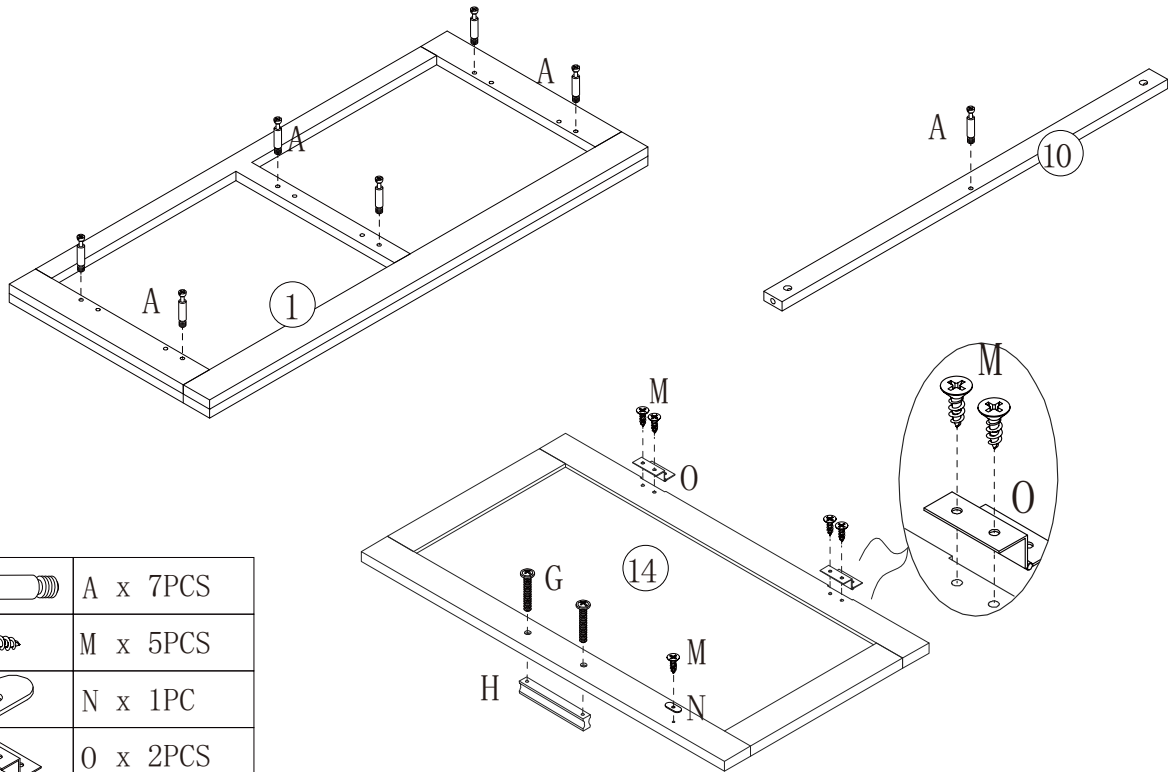


<p>①</p>  <p>1PC</p>	<p>②</p>  <p>1PC</p>	<p>③</p>  <p>1PC</p>
<p>④</p>  <p>1PC</p>	<p>⑤</p>  <p>1PC</p>	<p>⑥</p>  <p>1PC</p>
<p>⑦</p>  <p>1PC</p>	<p>⑧</p>  <p>1PC</p>	<p>⑨</p>  <p>1PC</p>
<p>⑩</p>  <p>1PC</p>	<p>⑪</p>  <p>1PC</p>	<p>⑫</p>  <p>1PC</p>

<p>⑬</p>  <p>1PC</p>	<p>⑭</p>  <p>1PC</p>	<p>⑮</p>  <p>1PC</p>
<p>⑯</p>  <p>1PC</p>	<p>⑰</p>  <p>1PC</p>	<p>⑱</p>  <p>1PC</p>
<p>⑲</p>  <p>1PC</p>	<p>⑳</p>  <p>1PC</p>	

<p>A</p>  <p>M6 × 35mm</p> <p>15+1PCS</p>	<p>B</p>  <p>15 × 10mm</p> <p>15+1PCS</p>	<p>C</p>  <p>6 × 30mm</p> <p>18+2PCS</p>
<p>D</p>  <p>M6 × 60mm</p> <p>12+1PCS</p>	<p>E</p>  <p>10 × 10mm</p> <p>12+1PCS</p>	<p>F</p>  <p>1PC</p>
<p>G</p>  <p>M4 × 18mm</p> <p>4PCS</p>	<p>H</p>  <p>L96mm</p> <p>2PCS</p>	<p>I</p>  <p>2PCS</p>
<p>J</p>  <p>2PCS</p>	<p>K</p>  <p>M4 × 35mm</p> <p>2PCS</p>	<p>L</p>  <p>M4 × 30mm</p> <p>4PCS</p>
<p>M</p>  <p>M3 × 12mm</p> <p>19+2PCS</p>	<p>N</p>  <p>1PC</p>	<p>O</p>  <p>2PCS</p>
<p>P</p>  <p>4PCS</p>	<p>CL</p>  <p>L300mm</p> <p>1PC</p>	<p>CR</p>  <p>L300mm</p> <p>1PC</p>
<p>DL</p>  <p>L300mm</p> <p>1PC</p>	<p>DR</p>  <p>L300mm</p> <p>1PC</p>	<p>Q</p>  <p>M3 × 14mm</p> <p>2PCS</p>

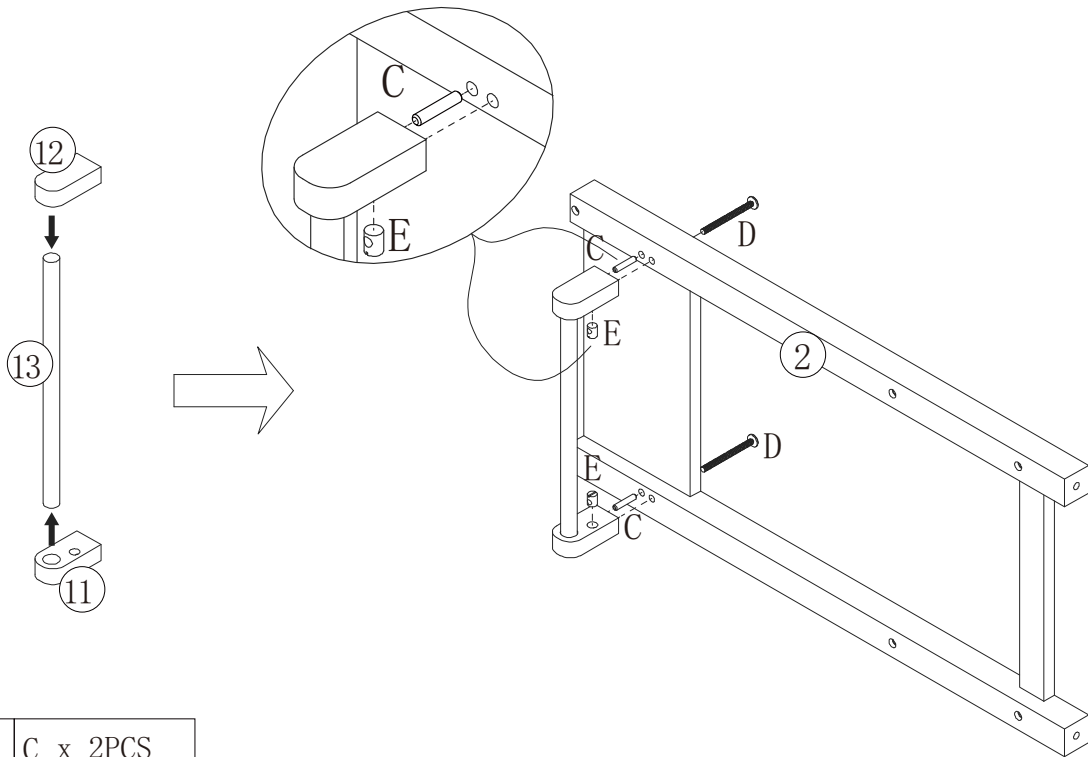
STEP 1



	A x 7PCS
	M x 5PCS
	N x 1PC
	O x 2PCS
	G x 2PCS
	H x 1PC

Fix Hardware A to Part 1&10
 Fix Hardware O/N to Part 14 with Hardware M
 Fix Hardware H to Part 14 with Hardware G

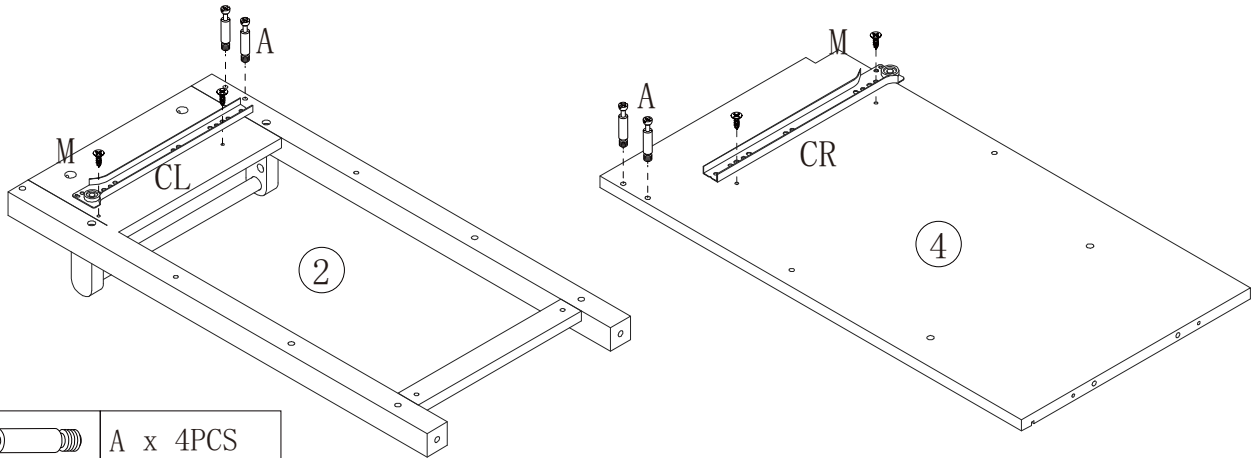
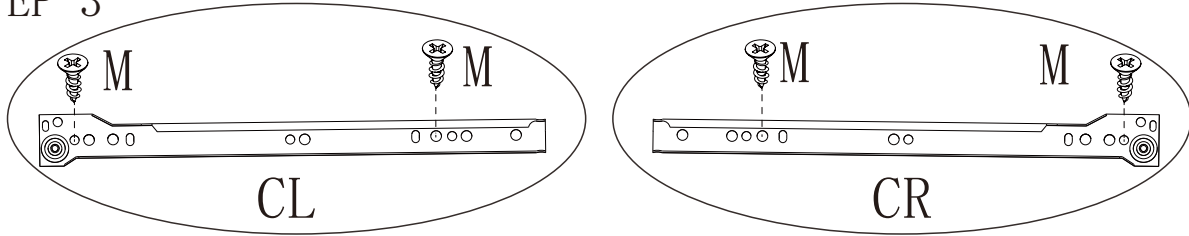
STEP 2



	C x 2PCS
	D x 2PCS
	E x 2PCS

Connect Part 13 to 11&12
 Connect Part 11&12 to 2 with Hardware C/E/D

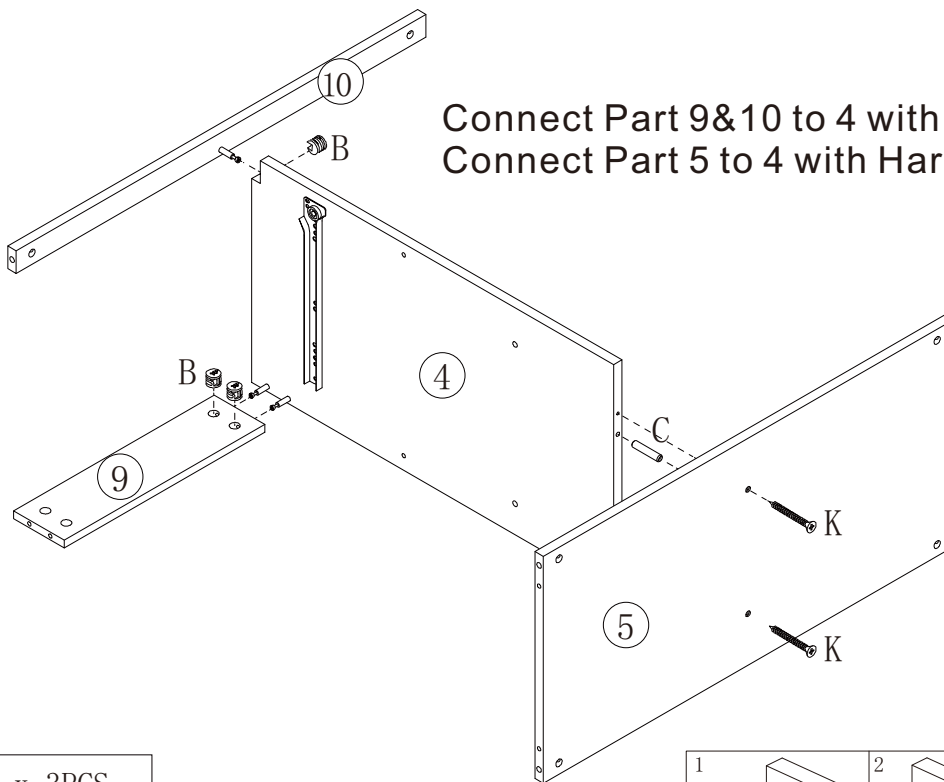
STEP 3



	A x 4PCS
	M x 4PCS
	CL x 1PC
	CR x 1PC

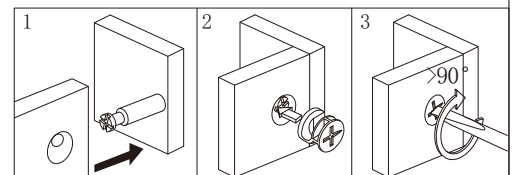
Fix Hardware A to Part 2&4
 Fix Hardware CL to Part 2 with Hardware M
 Fix Hardware CR to Part 4 with Hardware M

STEP 4

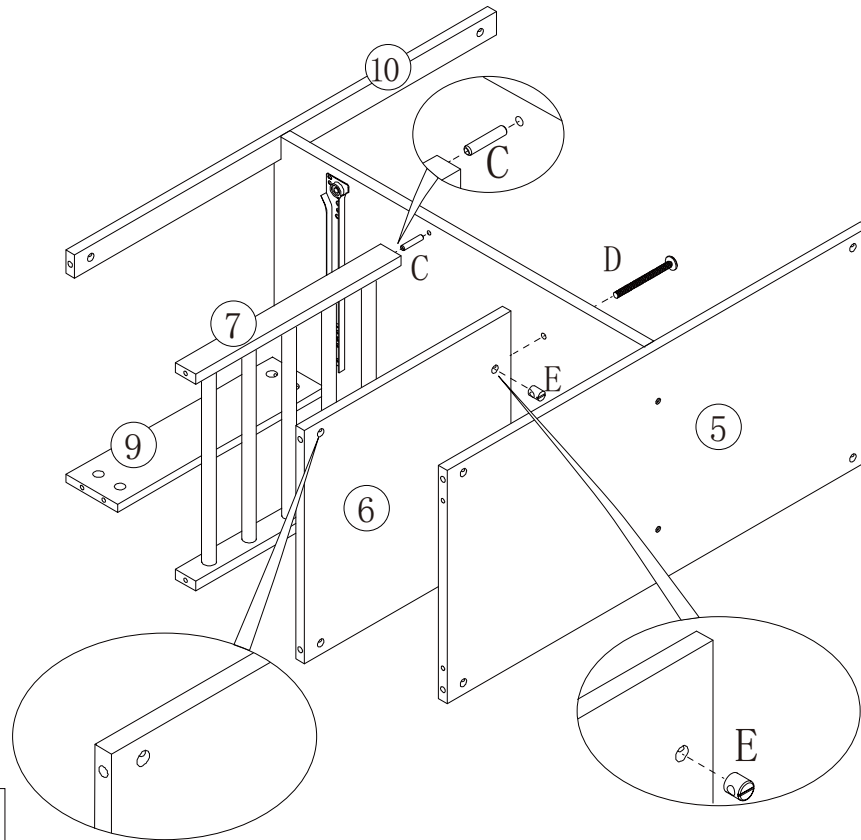


Connect Part 9&10 to 4 with Hardware B
 Connect Part 5 to 4 with Hardware C/K

	B x 3PCS
	C x 2PCS
	K x 2PCS



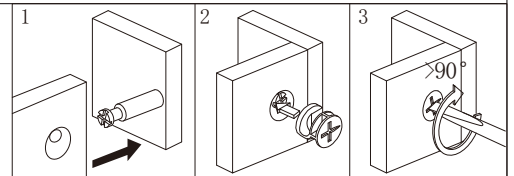
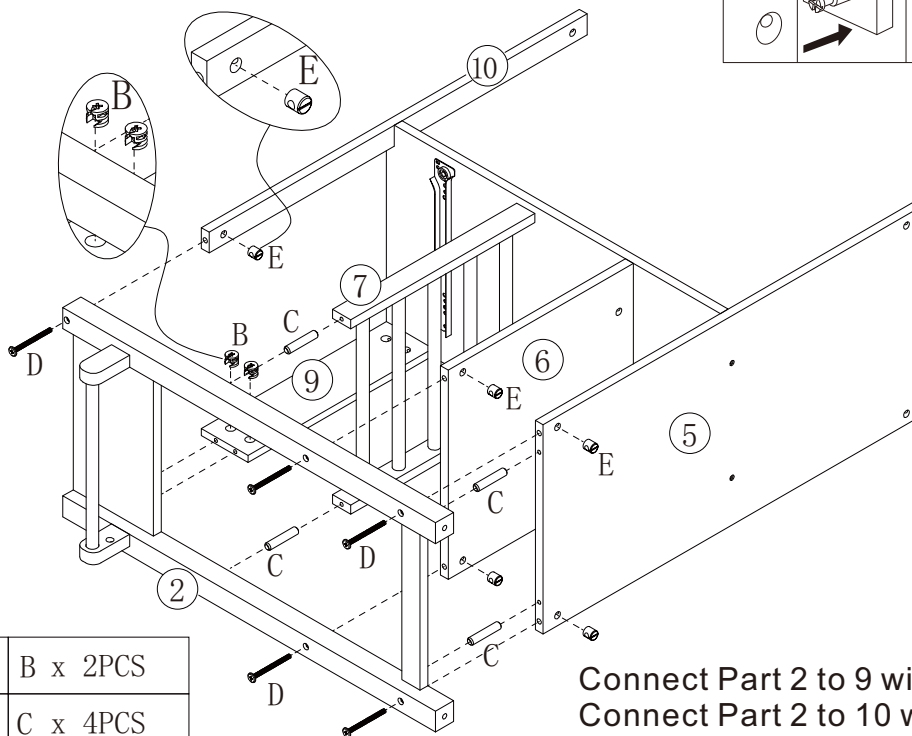
STEP 5



	C x 2PCS
	D x 2PCS
	E x 2PCS

Connect Part 7 to 4 with Hardware C
Connect Part 6 to 4 with Hardware D/E

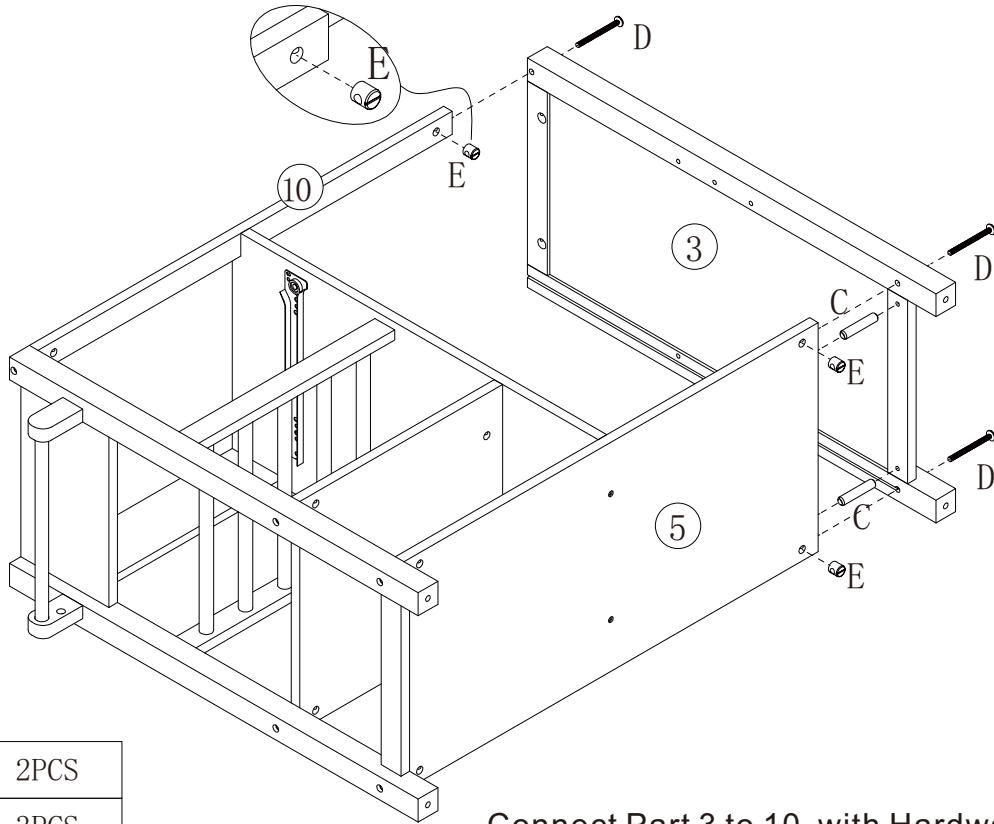
STEP 6

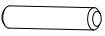




	B x 2PCS
	C x 4PCS
	D x 5PCS
	E x 5PCS

Connect Part 2 to 9 with Hardware B
Connect Part 2 to 10 with Hardware D/E
Connect Part 2 to 7 with Hardware C
Connect Part 2 to 6 with Hardware D/E
Connect Part 2 to 5 with Hardware C/D/E

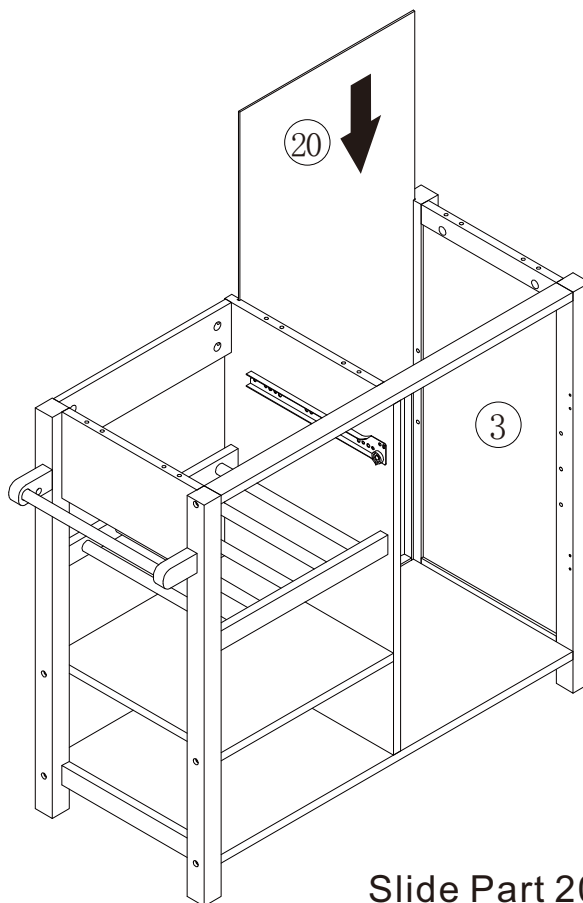
STEP 7



	C x 2PCS
	D x 3PCS
	E x 3 PCS

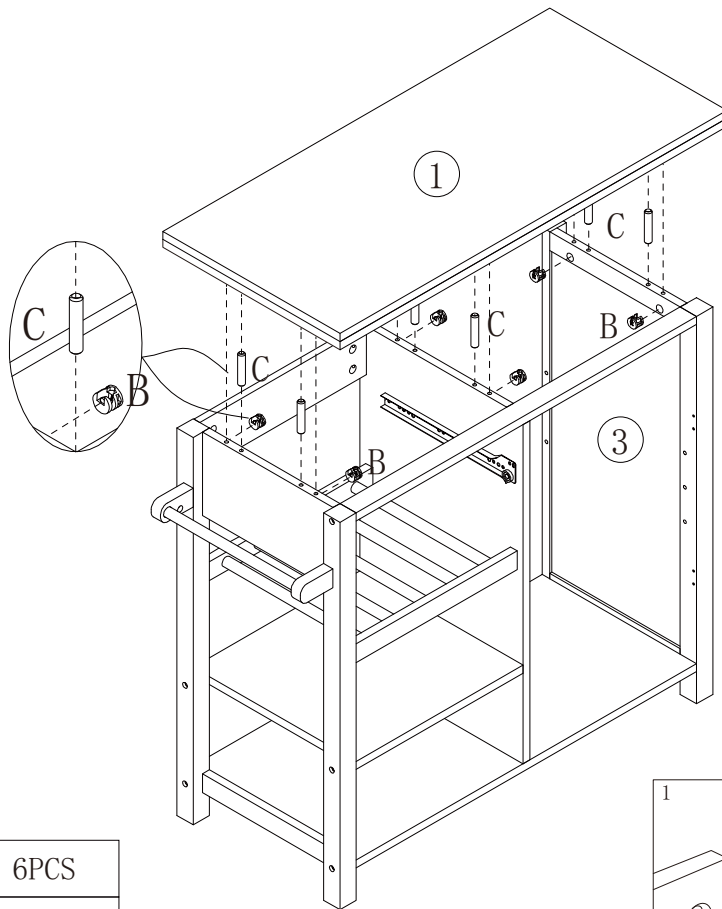
Connect Part 3 to 10 with Hardware D/E
Connect Part 3 to 5 with Hardware C/D/E

STEP 8

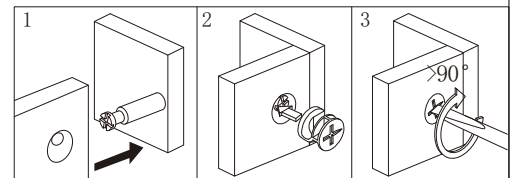



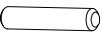
Slide Part 20 along the slots of 3&4

STEP 9

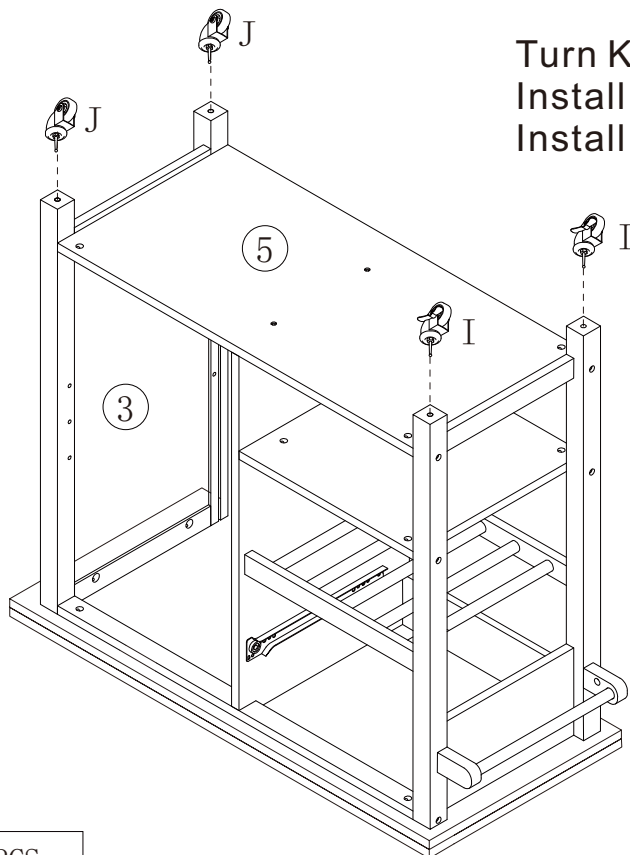


Lock Part 1 to 2&4&3 with Hardware C/B





	B x 6PCS
	C x 6PCS

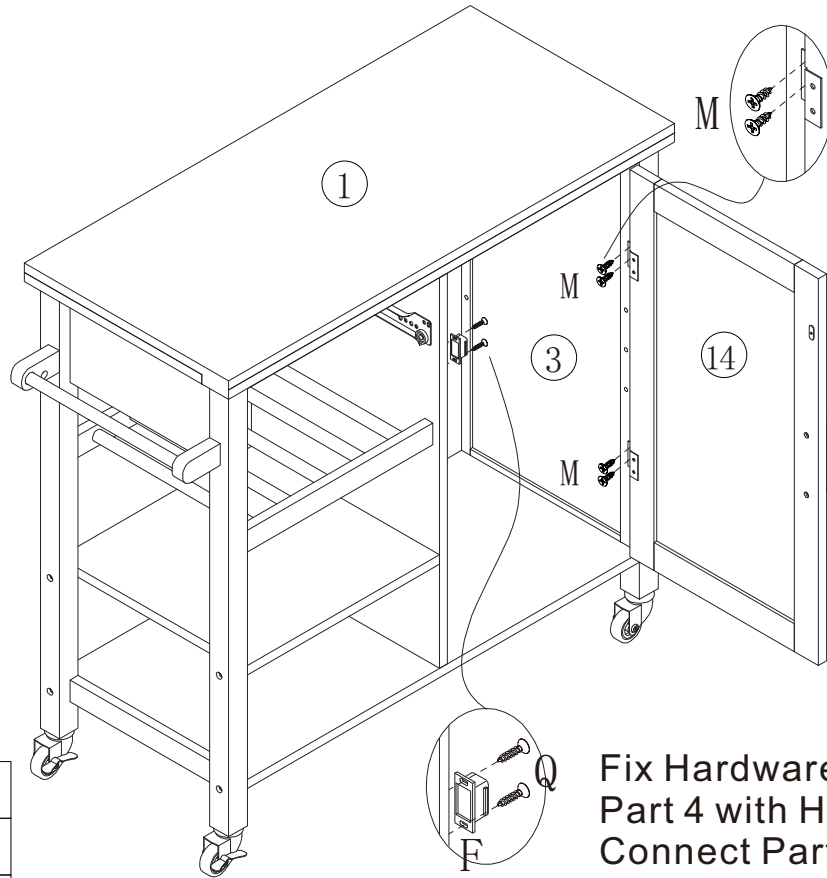
STEP 10



Turn Kitchen Cart upside down
Install Hardware I to Part 2
Install Hardware J to Part 3

	I x 2PCS
	J x 2PCS

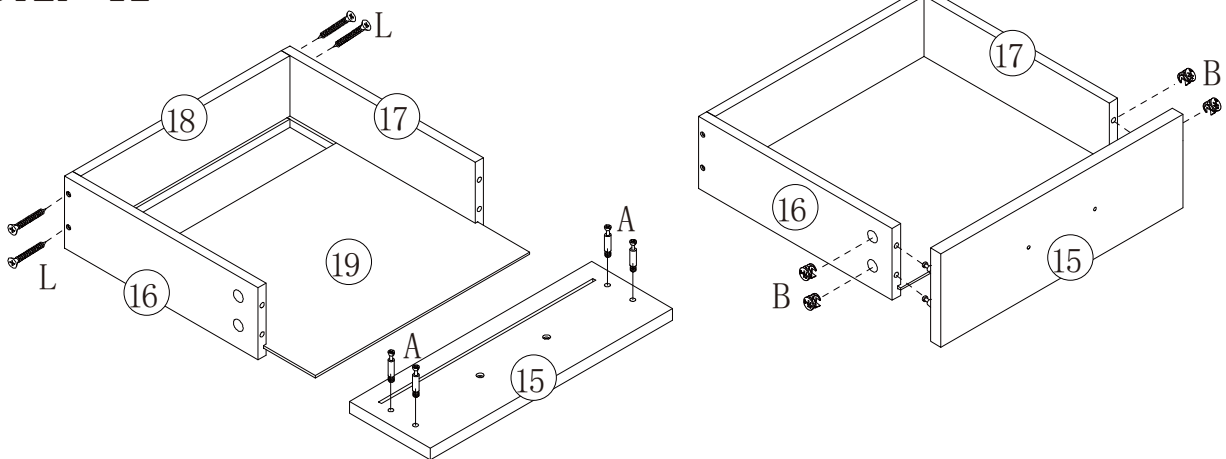
STEP 11



	M x 4PCS
	F x 1PC
	Q x 2PCS

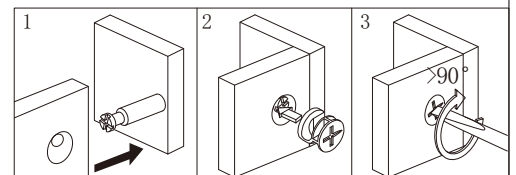
Fix Hardware F to Part 4 with Hardware Q
Connect Part 14 to 3 with Hardware M

STEP 12

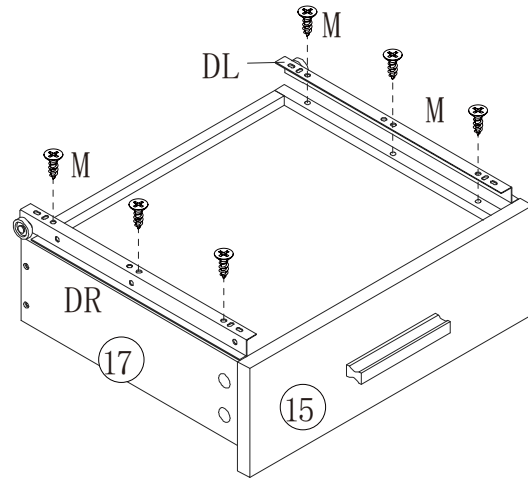
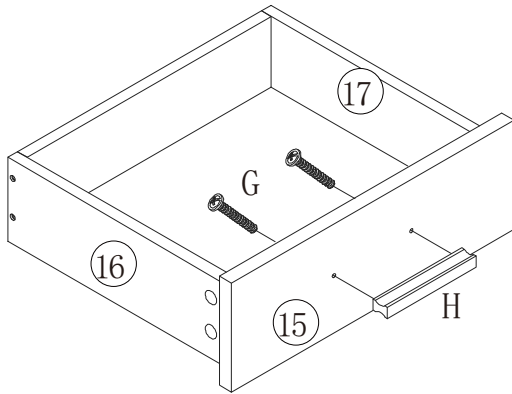
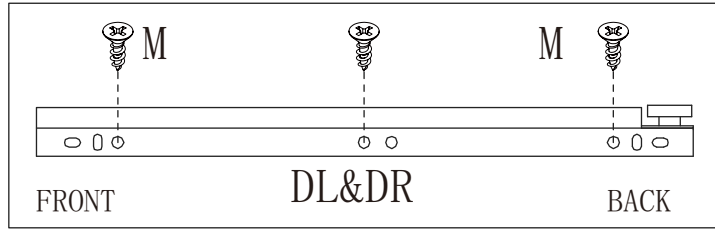


Connect Part 18 to 16&17 with Hardware L
Slide Part 19 forward along the slots of Part 16&17
Fix Hardware A to Part 15
Lock Part 15 to 16&17 with Hardware B

	A x 4PCS
	B x 4PCS
	L x 4PCS



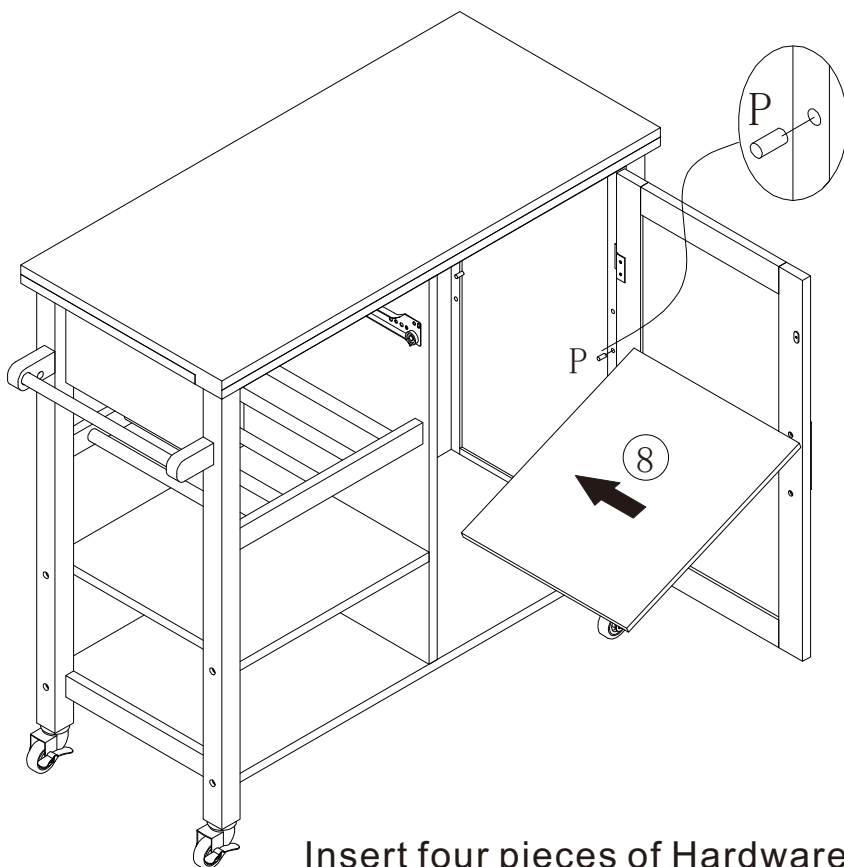
STEP 13



	G x 2PCS
	H x 1PC
	M x 6PCS
	DL x 1PC
	DR x 1PC

Install Hardware H to Part 15 with Hardware G
 Turn the drawer upside down
 Fix Hardware DR to Part 17 and DL to 16 with Hardware M

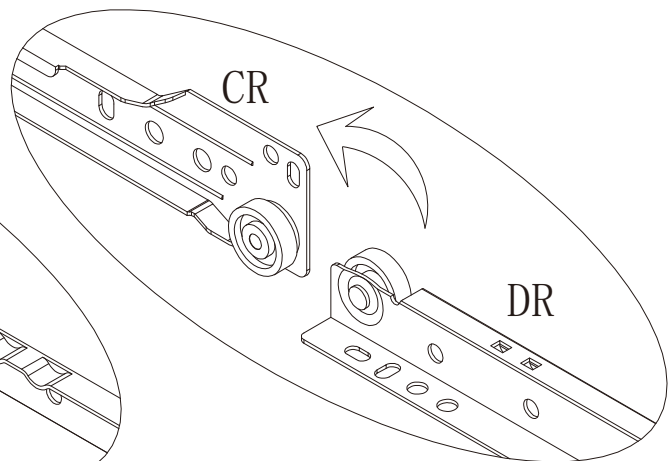
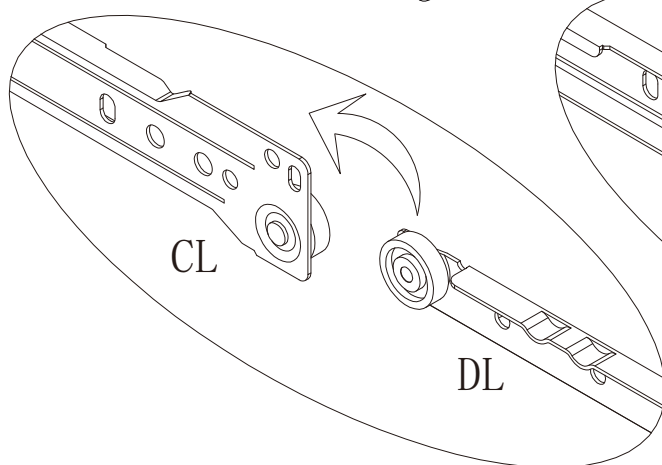
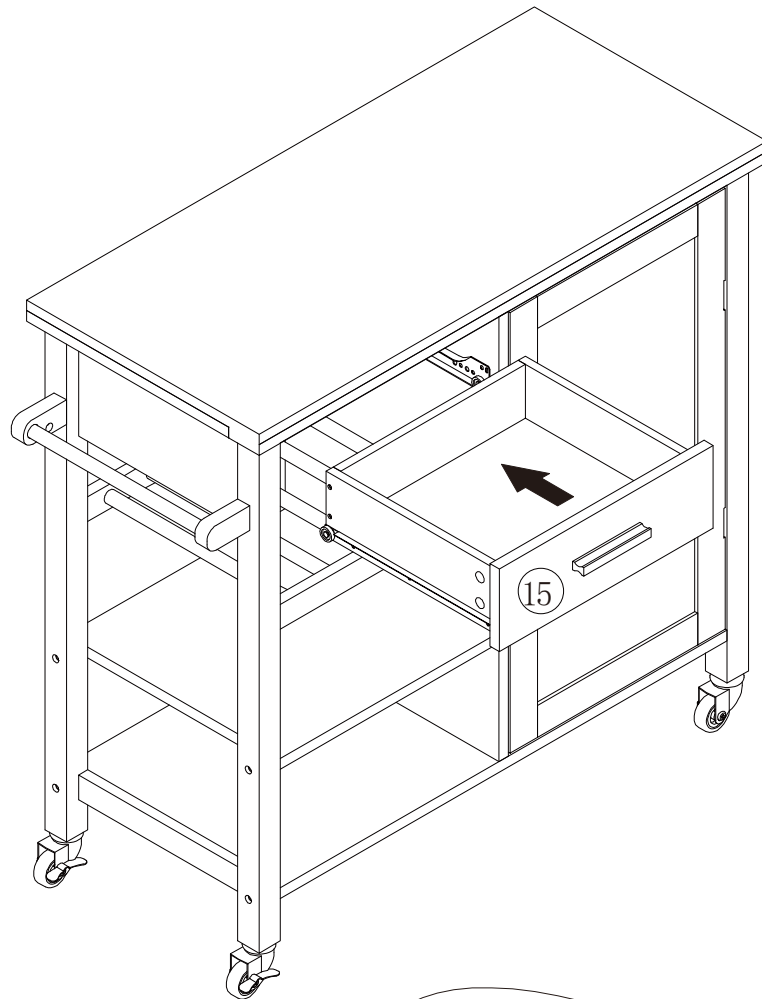
STEP 14



Insert four pieces of Hardware P into Part 3&4
 Place Part Part 8 into Kitchen Cart

	P x 4PCS
--	----------

STEP 15



Push assembled drawer into Kitchen Cart along drawers tracks