

Patio umbrella

ASSEMBLY INSTRUCTION

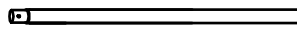
PARTS:



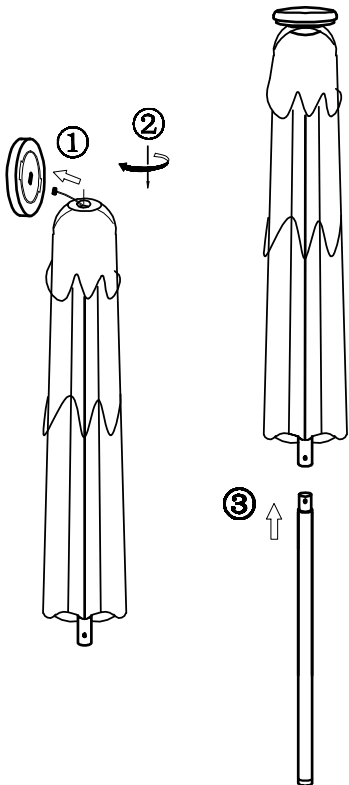
A X 1



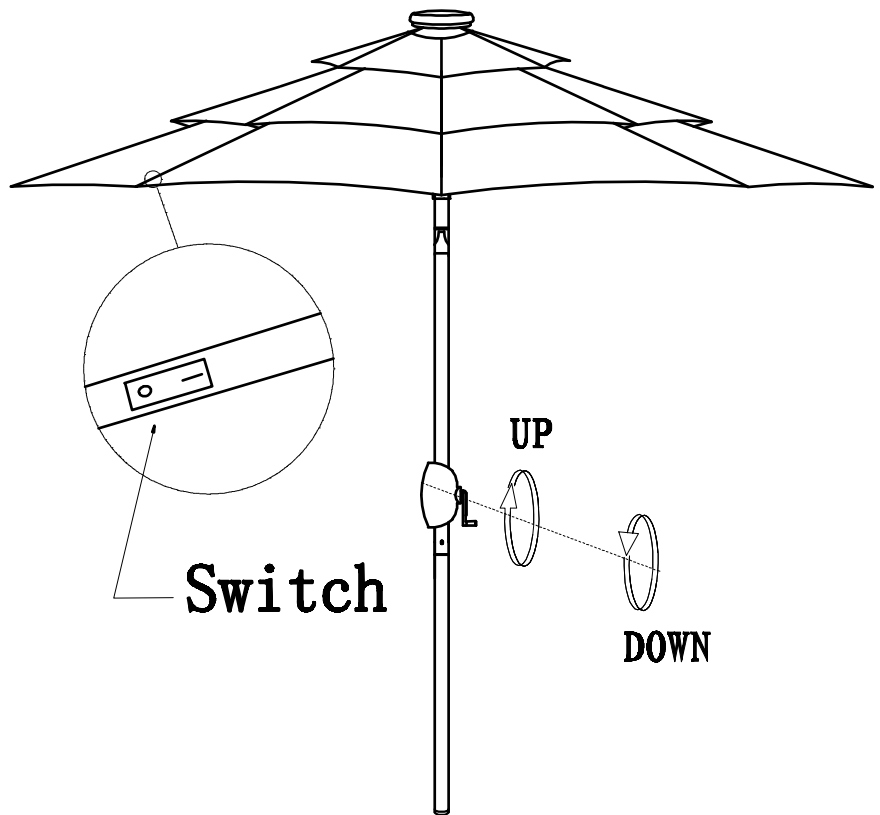
B X 1



C X 1



1.



2.

3.

Switch

UP

DOWN