

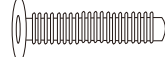

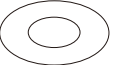
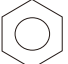
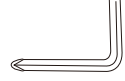
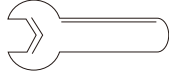



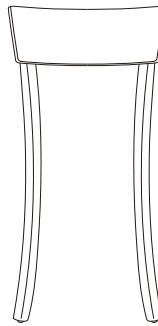
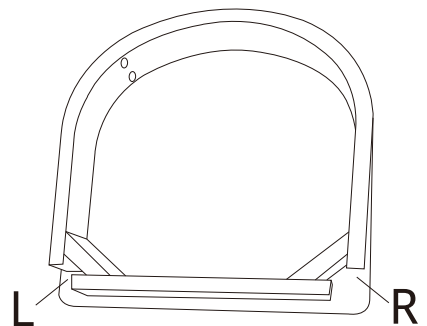
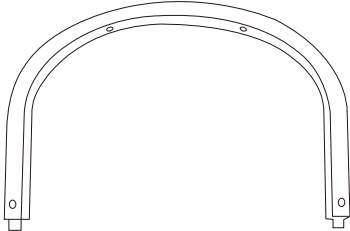
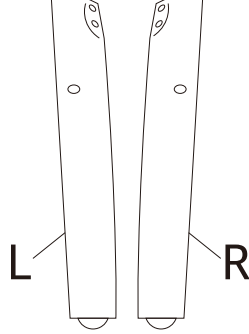
# ASSEMBLY INSTRUCTION

MODEL : KD MINT CHAIR ASSEMBLY INSTRUCTION

Please read instruction carefully

- 1) Remove all wrapping materials from the carton box.
- 2) Check PARTS below before assembling.
- 3) Place all wooden parts on a clean, flat and soft surface (e.g carpet or rug) to prevent scratches.
- 4) Do not fully tighten the nuts and bolts until all parts are completely assembled

NO.	COMPONENT	QTY.
<b>A</b>	Bolt 60mm 	4
<b>B</b>	Bolt 50mm 	8
<b>C</b>	Bolt 40mm 	8
<b>D</b>	Screw 	4
<b>E</b>	Washer 	20
<b>F</b>	Nut 	4
	Allen Key 	2
	Wrench 	1
	Driver 	1

COMPONENT			
Back Leg	2	Seat	2
			
Support Bar	2	Front Legs	4
			

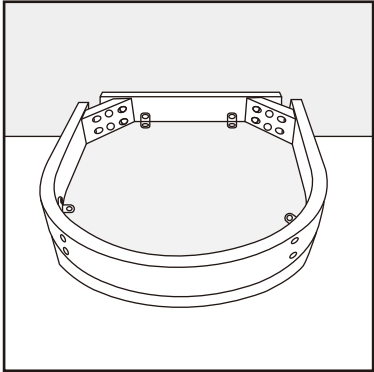
**Got Questions?**

Contact us directly using the QR code provided :



※ Tighten all bolts and screws after all parts are in place. Keep the tools to tighten when they loosen over time.

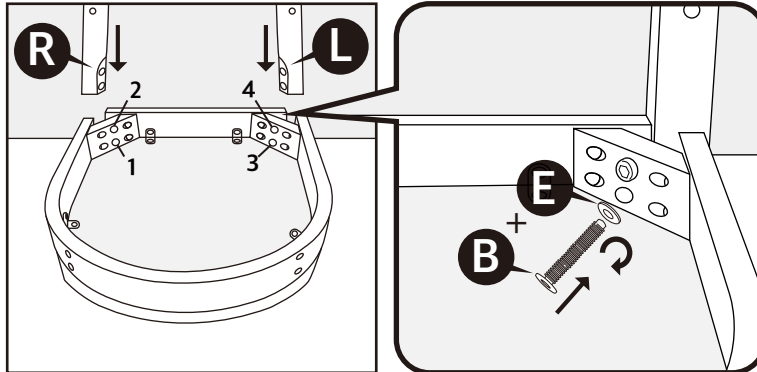
### STEP 1



#### <Step 1>

Place the Seat upside down.  
(It's easier to assemble if you use a surface with a little height, like a table)

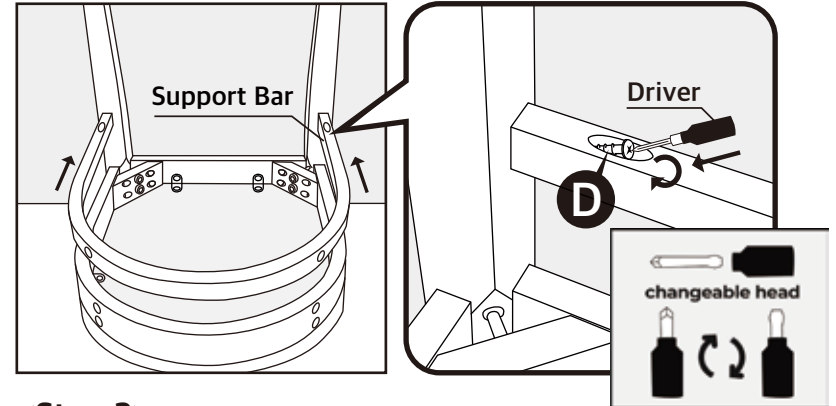
### STEP 2



#### <Step 2>

Use part B and E to place the Front Legs into the Seat.  
(Note that the left and right legs are different)

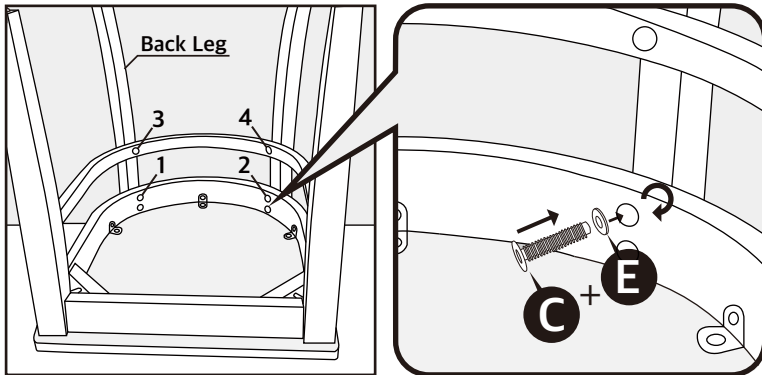
### STEP 3



#### <Step 3>

Put each ends of the Support Bar into the holes in the front legs, and use the driver to tighten part D.

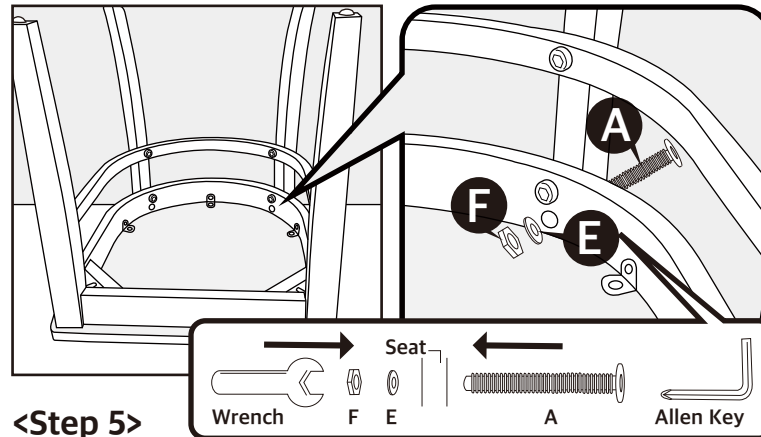
### STEP 4



#### <Step 4>

Use part C and E to place the Back Leg into the back of the Seat.

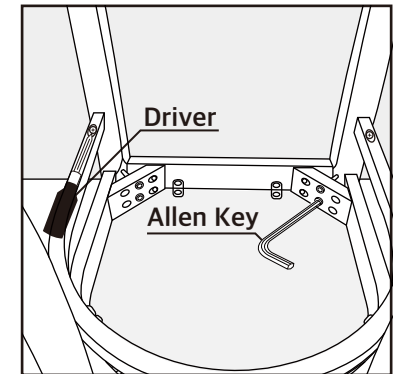
### STEP 5



#### <Step 5>

Put part A through from the Back Leg into the Seat. Tighten on both ends with Allen Key and Wrench.

### STEP 6



#### <Step 6>

Tighten all bolts with hardware provided.  
(Fully tightening all bolts and screws before full assembly may result in twisted and wobbly chair)