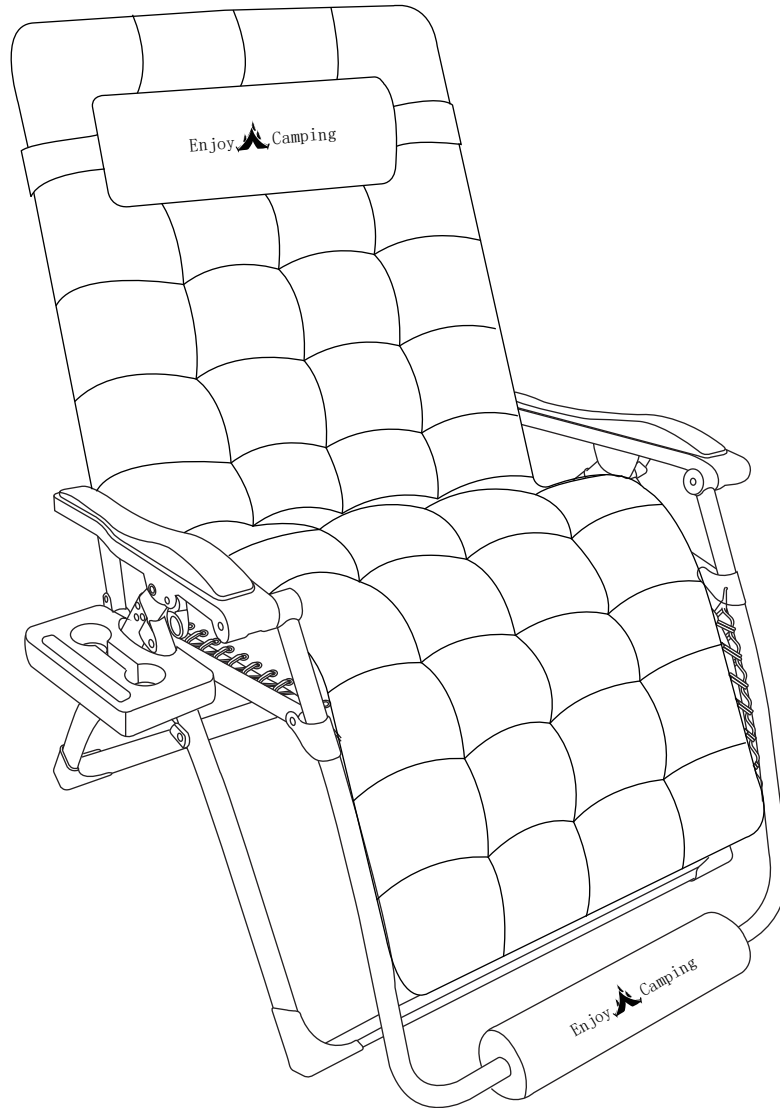
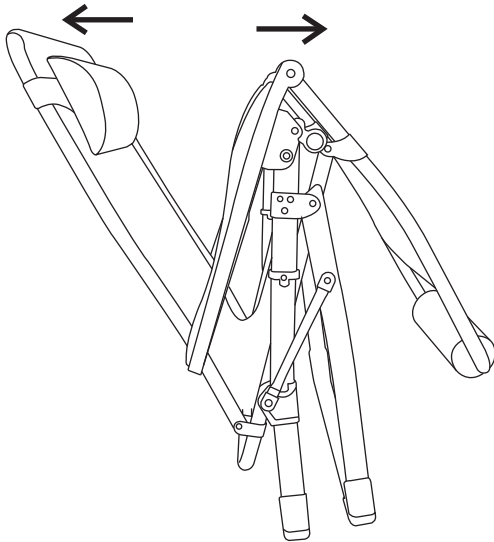


Oversized reclining chair



STEP

Step1

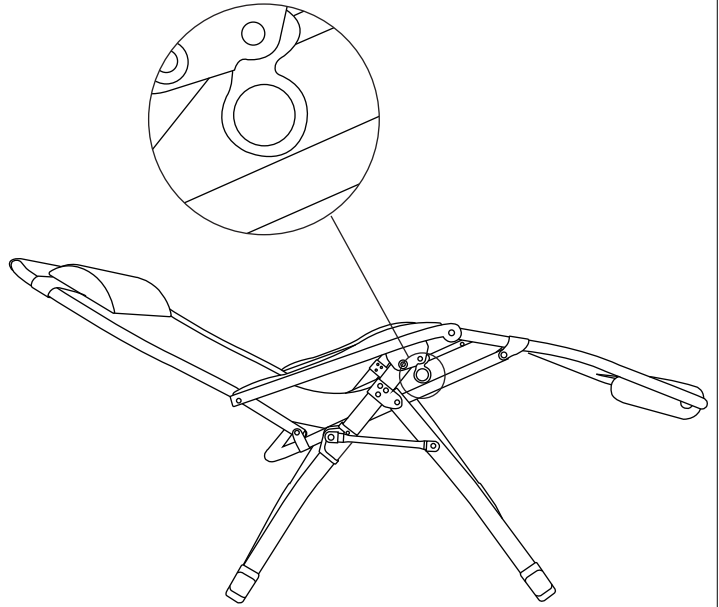


Ground

Step2

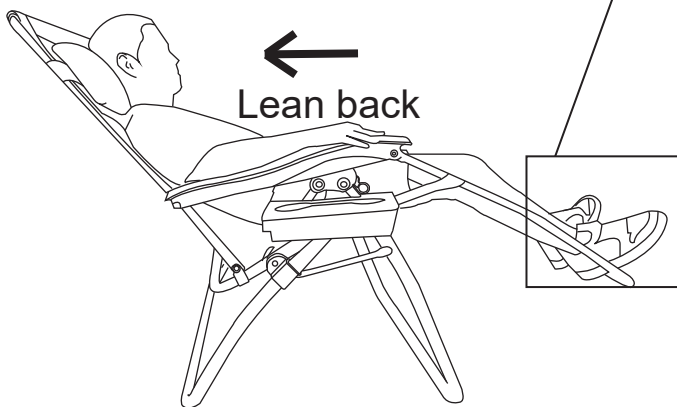
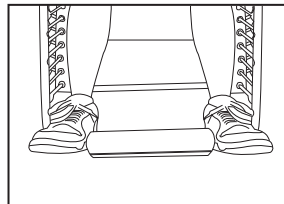
Please make sure that both side latches are down.

The chair is unlocked at this time.



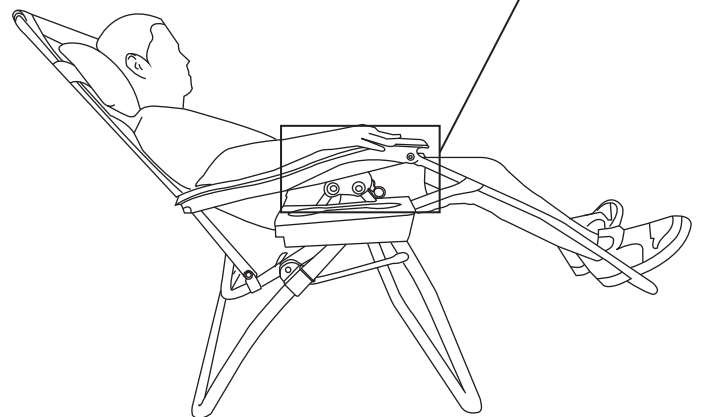
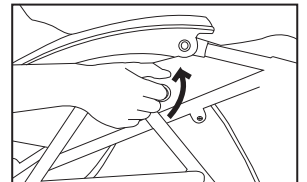
Step3

Please put your feet on both sides of the sponge foot pad and push hard.



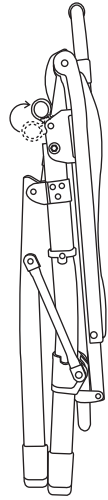
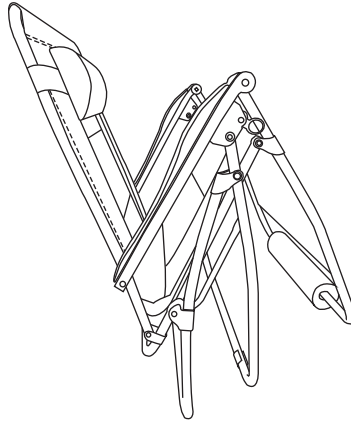
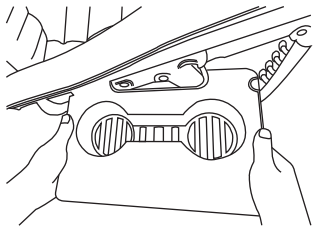
Step4

After you lie down, there is a lock on the armrest to fix the recliner, pull it up.



STEP

How to collect?

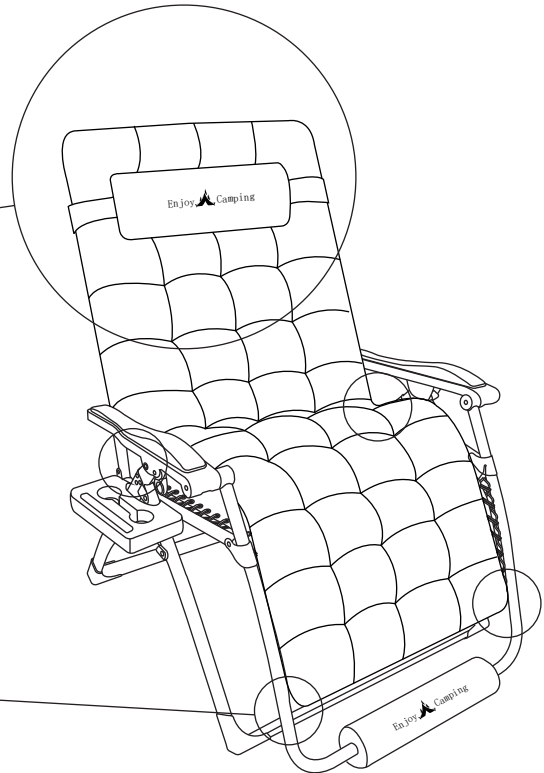
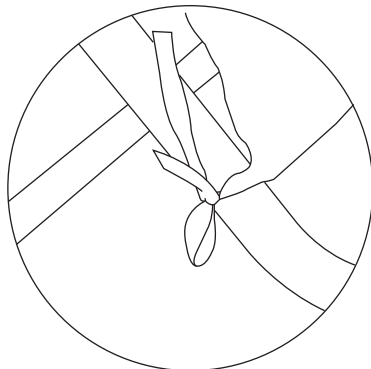
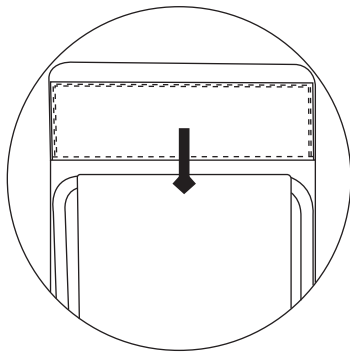


Put away the cup holder

Folding seat

Finish

How to use the seat cushion



AFTER-SALE SERVICE

If you have any suggestions for our products or find that the products have quality problems, please contact us first, our after-sales team will reply you within 24 hours, and we will do our best to give you solutions until you are satisfied.

Guaranteed Customer Service

Your shopping experience is very important to us!
Feel unsatisfied? **Contact us!**
Have any questions? **Contact us!**

Wanna Share how wonderful our smart promakes your home?
Share your pictures with us.
Any suggestions? **Contact us!**
We gotcha back!