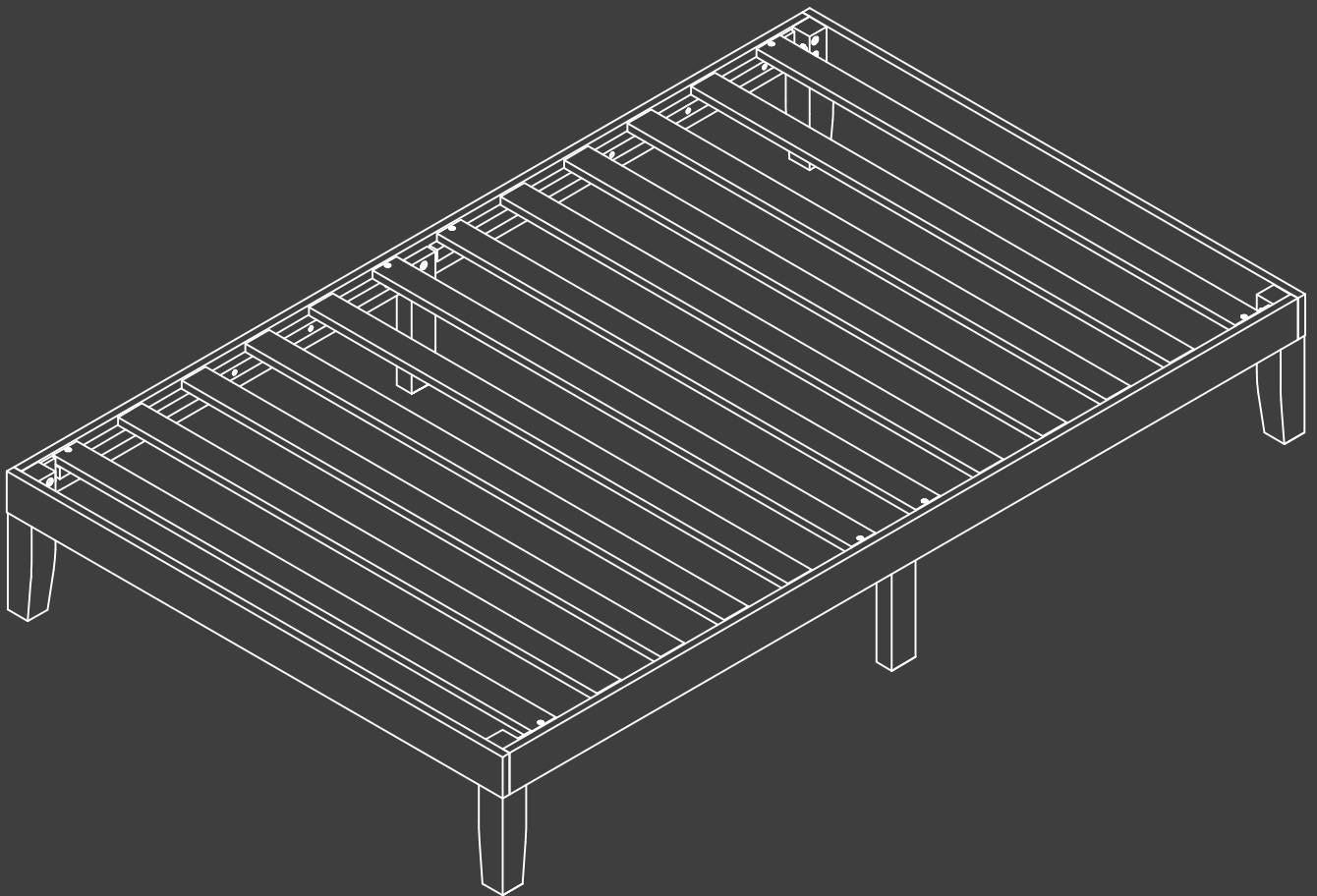


# Bed Frame

## Instruction Manual

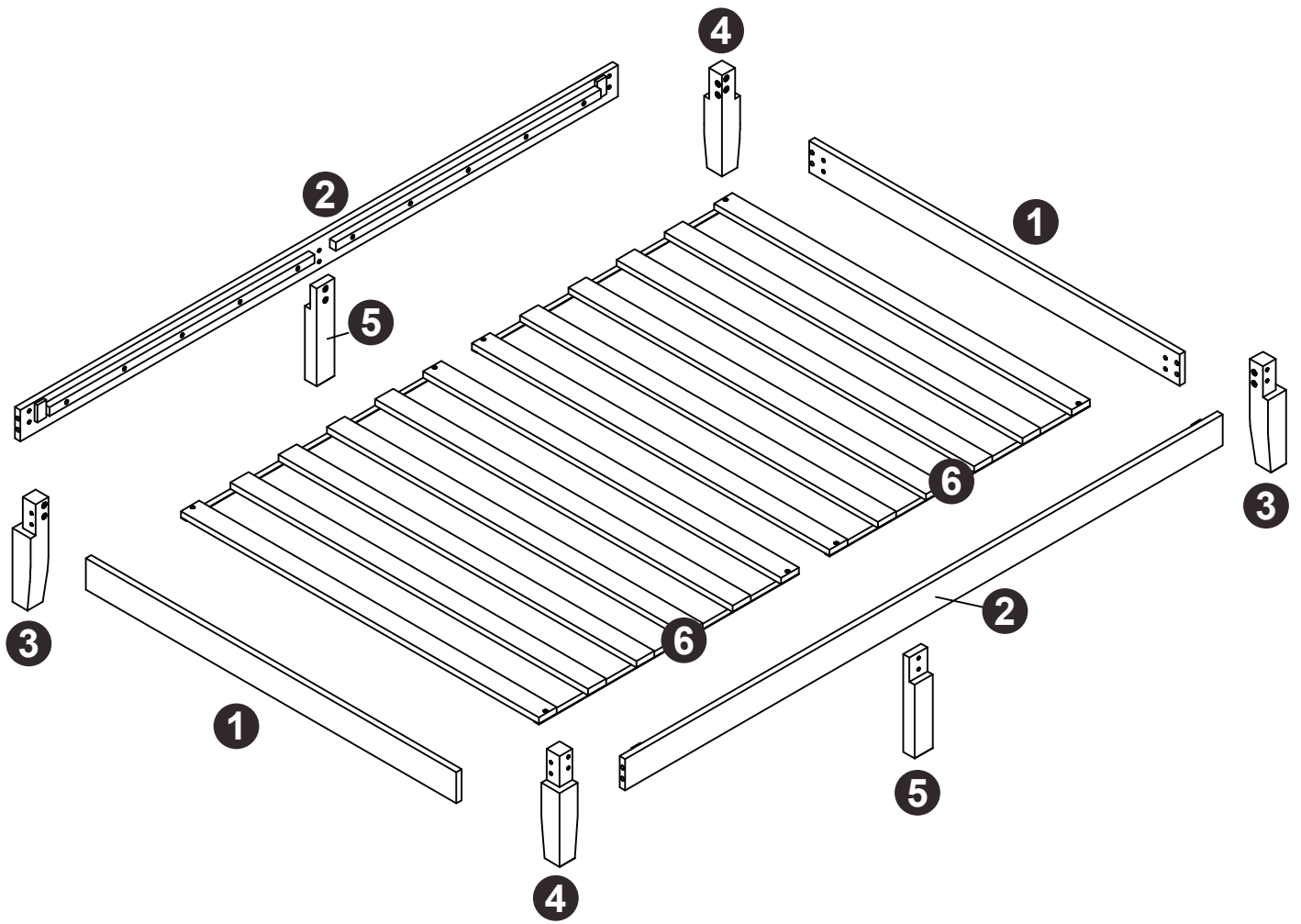
CJ-WH01-T



 EST 9:00AM--17:00PM

 [HJ-Customer-Service@outlook.com](mailto:HJ-Customer-Service@outlook.com)

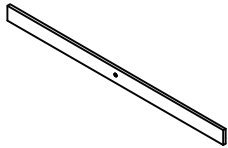
 (909)637-7665 | (909)637-7593



# 1 Parts List

---

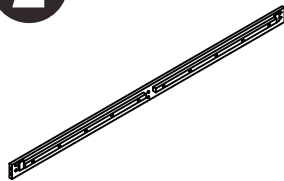
**1**



**x2**

Rear Panel

**2**



**x2**

Side Panel

**3**



**x2**

Bed Feet

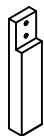
**4**



**x2**

Bed Feet

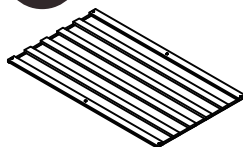
**5**



**x2**

Mid-side Feet

**6**



**x2**

Bed Slats

# 2 Hardware

---

**A**



**x8**

Phillips screw  
Φ8\*4\*30mm

**B**



**x4**

Hex-Head bolts  
Φ13\*1/4"\*32mm

**C**



**x16**

Hex-Head bolts  
Φ13\*1/4"\*53mm

**D**



**x1**

Allen key  
4mm

**E**



**x8**

Wood dowel  
Φ10\*30mm

**G**



**x20**

Flat Washer  
Φ13\*Φ1/4"\*1mm



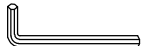


**H**

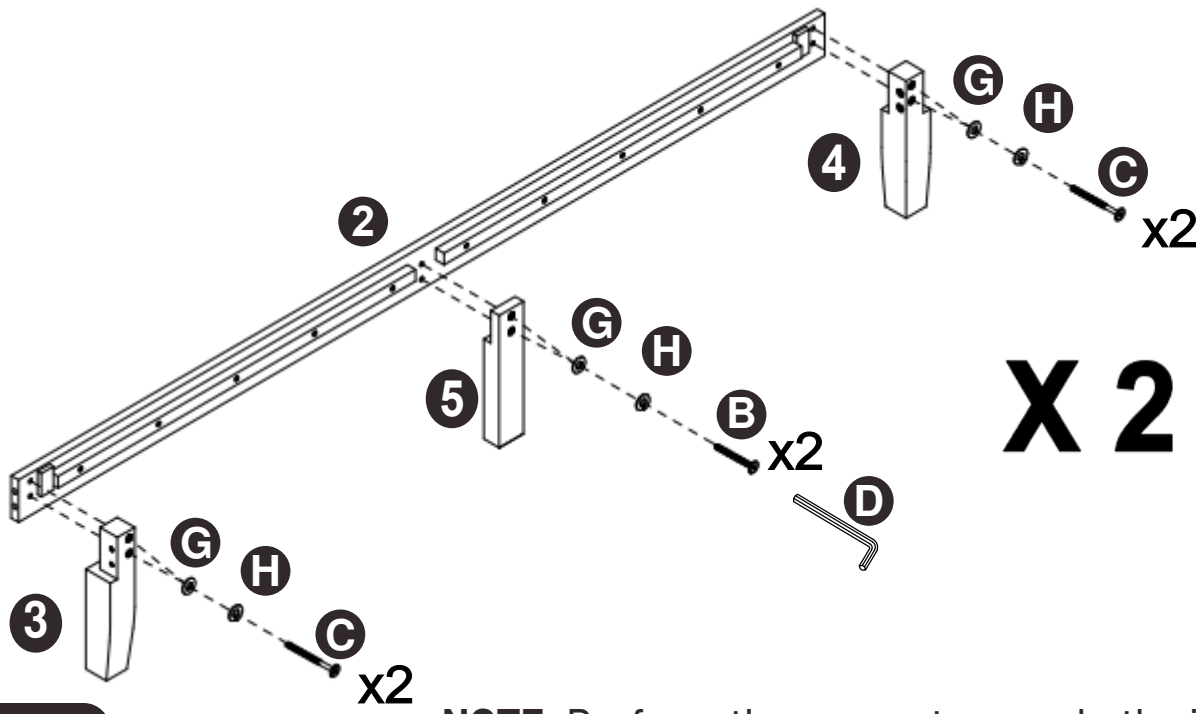


**x20**

lock Washer  
Φ13\*Φ1/4"\*1.5mm


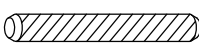



# Step 1

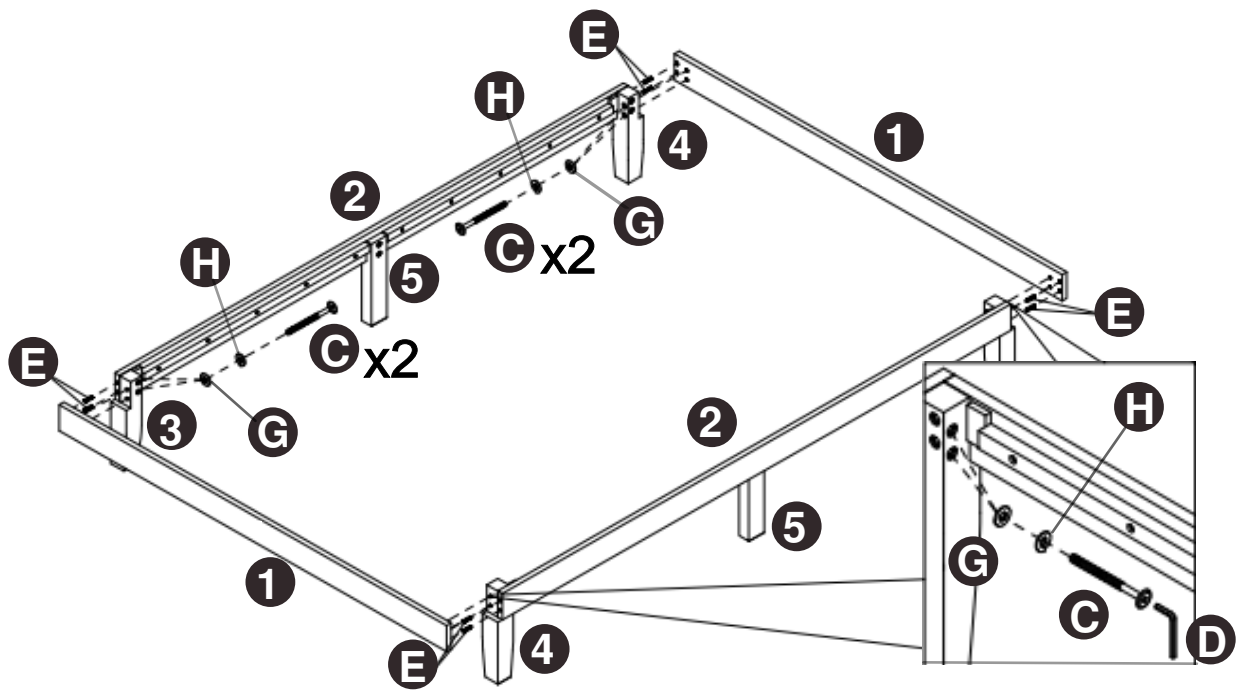
				
<b>B*4</b>	<b>C*8</b>	<b>D*1</b>	<b>G*12</b>	<b>H*12</b>



# Step 2

**NOTE:** Perform the same steps on both sides.

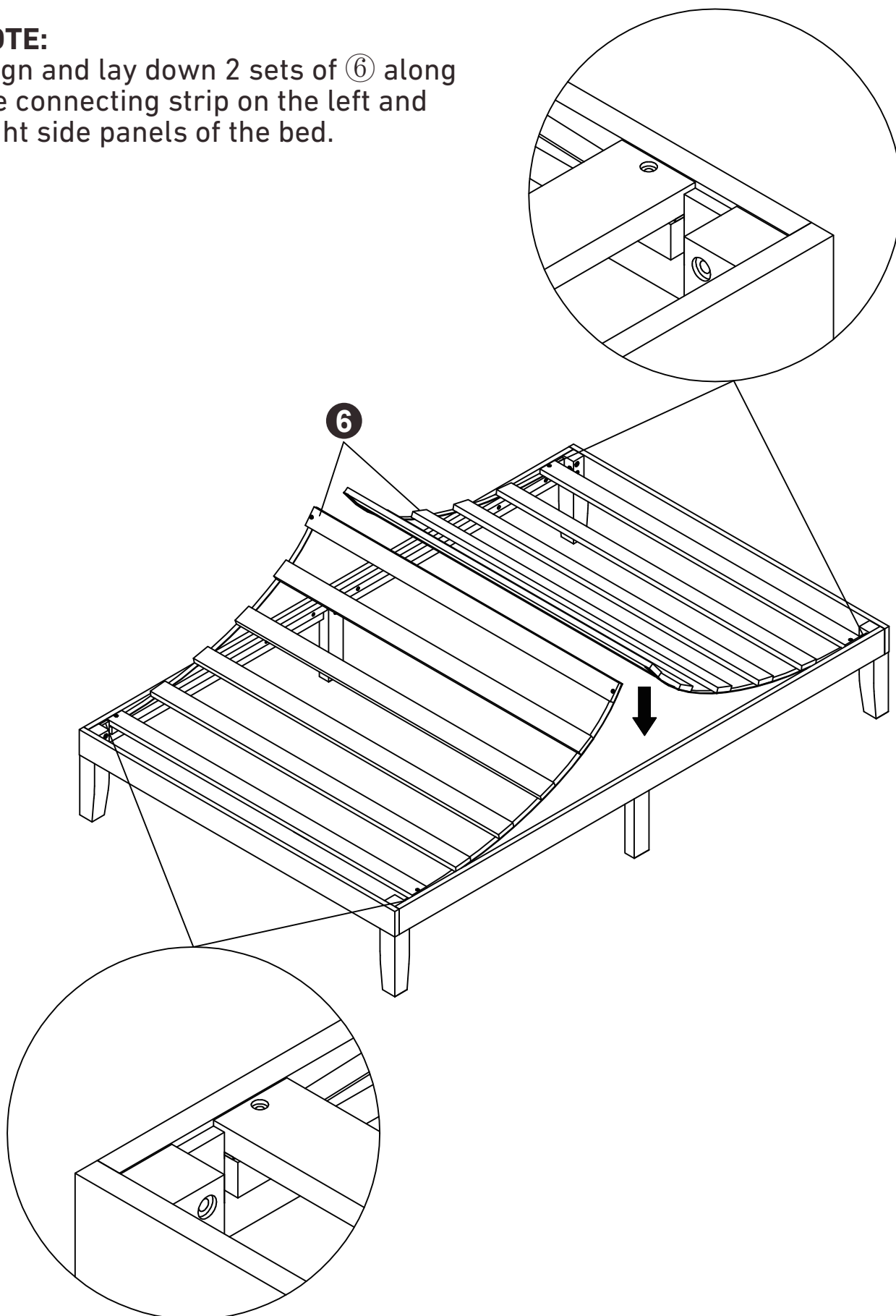
				
<b>C*8</b>	<b>E*8</b>	<b>D*1</b>	<b>G*8</b>	<b>H*8</b>



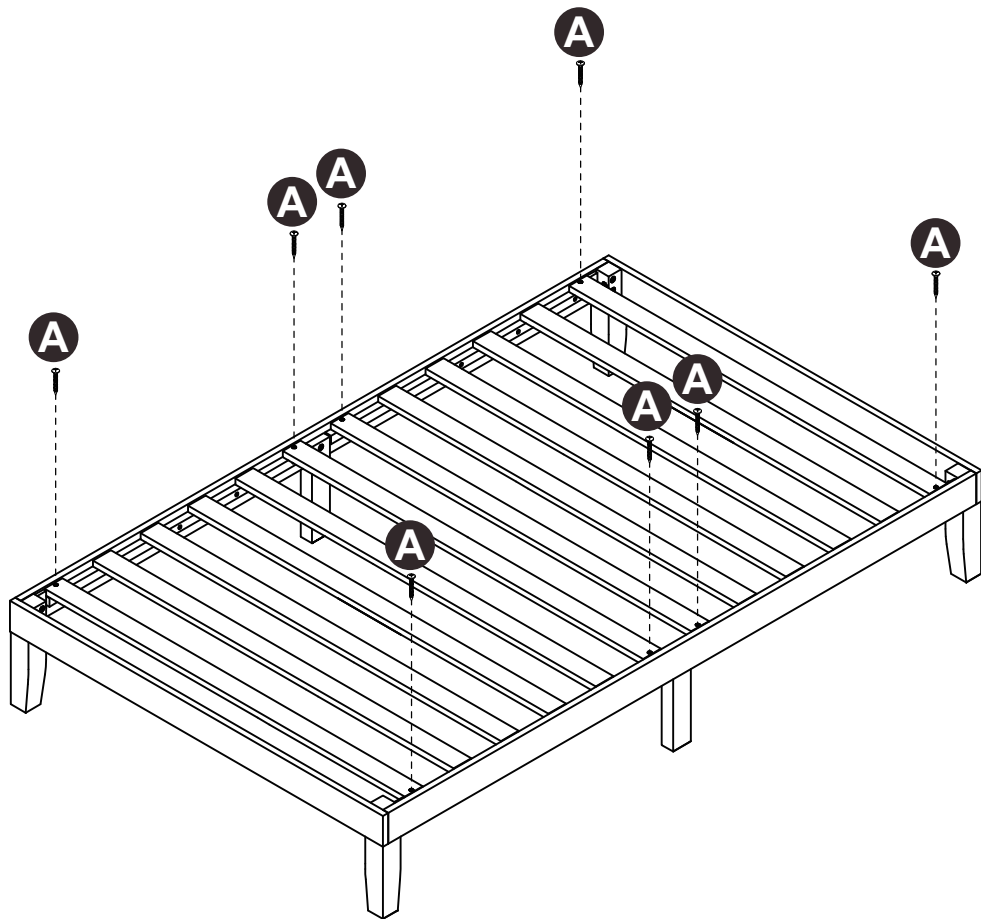
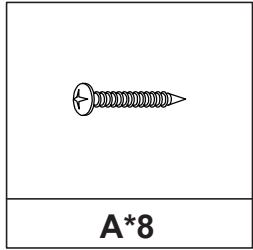
# Step 3

**NOTE:**

Align and lay down 2 sets of ⑥ along the connecting strip on the left and right side panels of the bed.

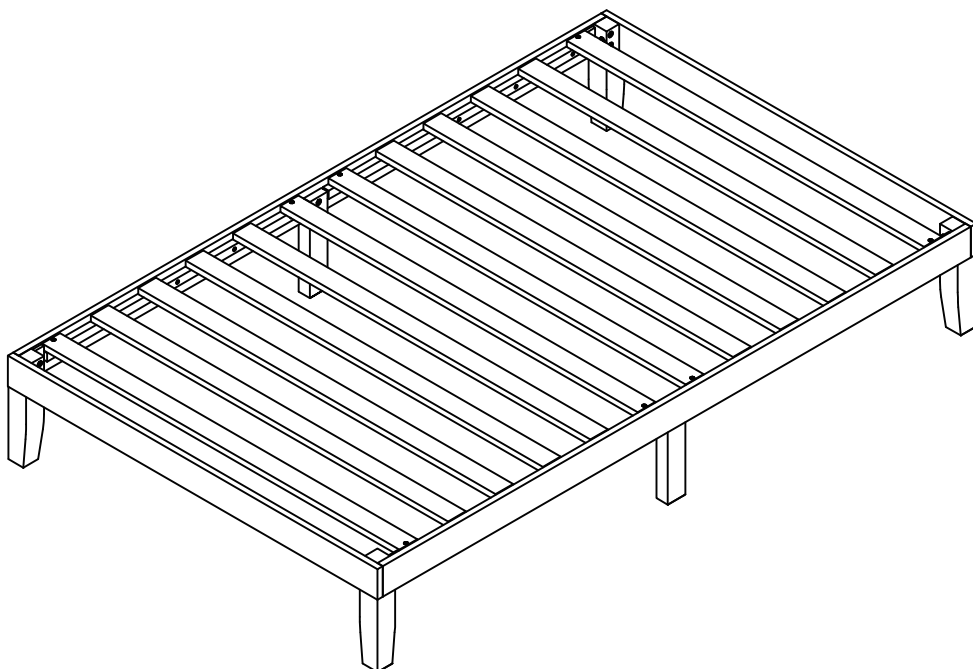


## Step 4

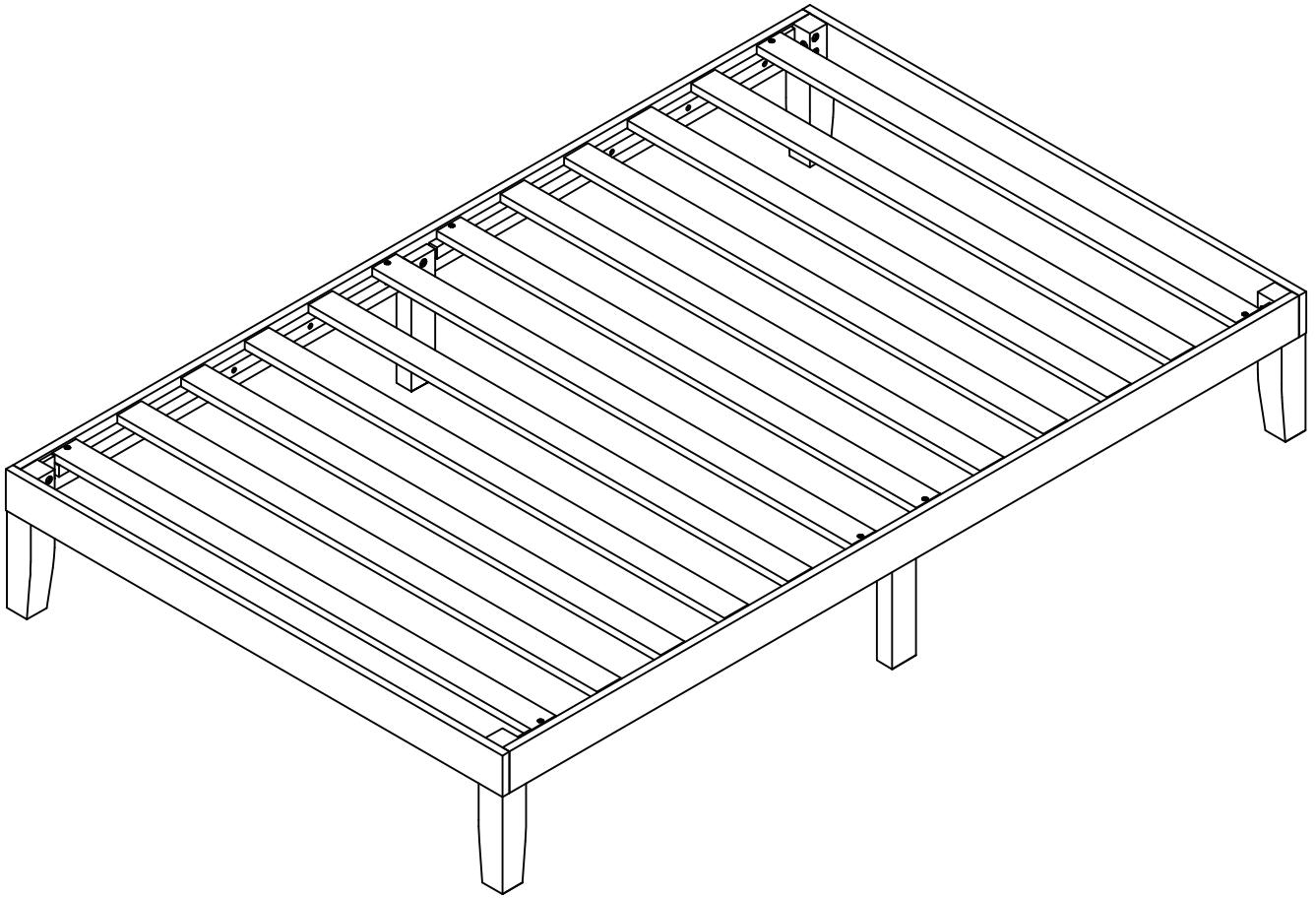


## Step 5

**NOTE:** Using a power drill (not included) works better.



**NOTE:** Do not throw away the instruction manual.



## **Technical Support**

(909)637-7665 | (909)637-7593

## **Other Info**

[HJ-Customer-Service@outlook.com](mailto:HJ-Customer-Service@outlook.com)

Thank you for choosing this product. We strive to provide you with the best quality products and service in the industry. Should you have any issues, please don't hesitate to contact us.