
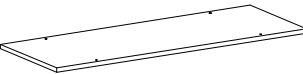

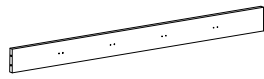

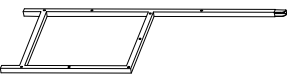
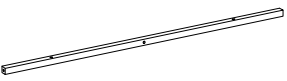

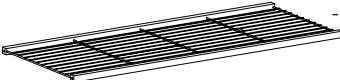




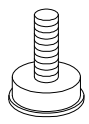
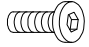
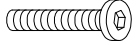
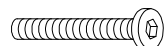

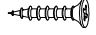
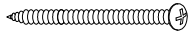

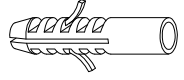
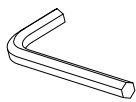
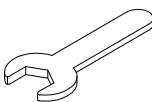
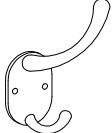


Note: Don't tighten all screws during installation.

Components


	1015*380mm	1	x 1
	973*358mm	2	x 1
	975*190mm	3	x 1
	975*80mm	4	x 2
	865*190mm	5	x 2
	992*400mm	6	x 2
	975*20mm	7	x 2
	975*20mm	8	x 2
	975*400mm	9	x 1
	∅19*975mm	10	x 1
	∅10*628mm	11	x 2
	∅10*818mm	12	x 2
	284*15mm	13	x 2

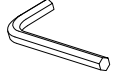
Screws & Tools

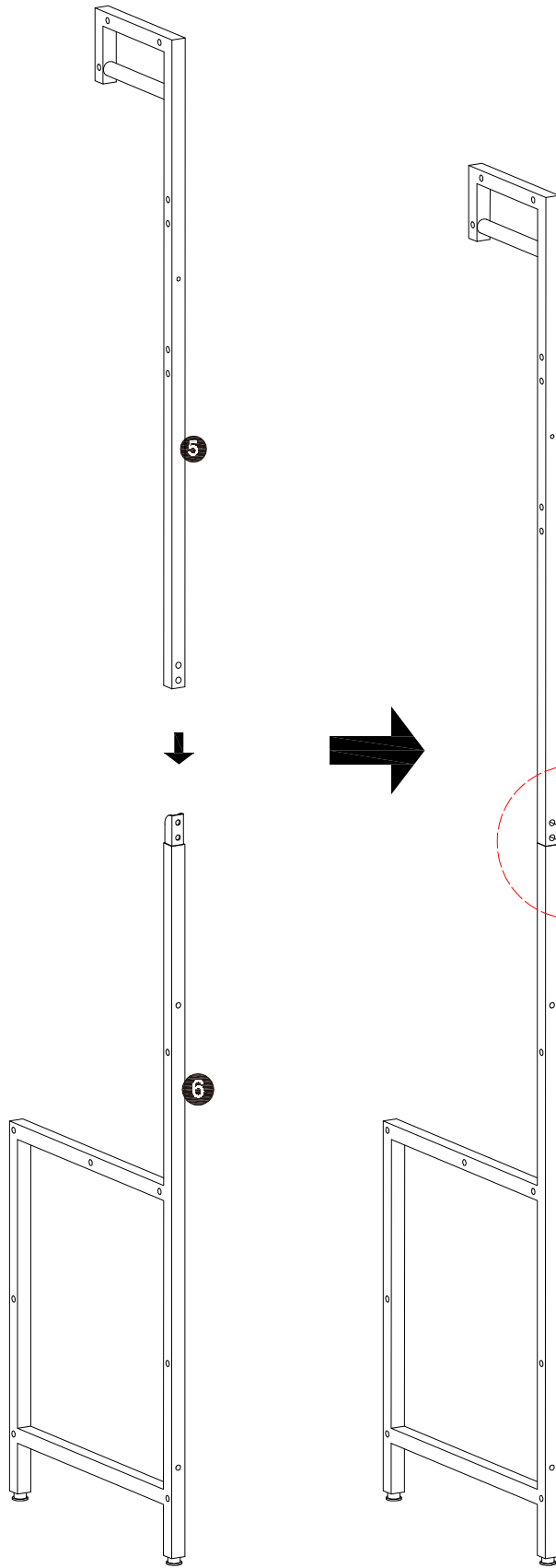
A			x 4
B		M6*12mm	x 14
C		M6*28mm	x 8
D		M6*35mm	x 14
E		∅7*50mm	x 12
F		∅3*15mm	x 16
G		∅4*55mm	x 2
H		M6	x 4
I		∅8*40mm	x 2
J			x 1
K			x 1
L			x 8

Check all the components & screws before assembly.
Do not install in case part is missing, contact us to get.
 Send email with your question to support@idealhouse.vi.p.
 We will resend within 24 hours.

Step2:


B M6*12mm

4 PCS

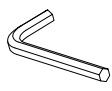
J 4mm

1 PC

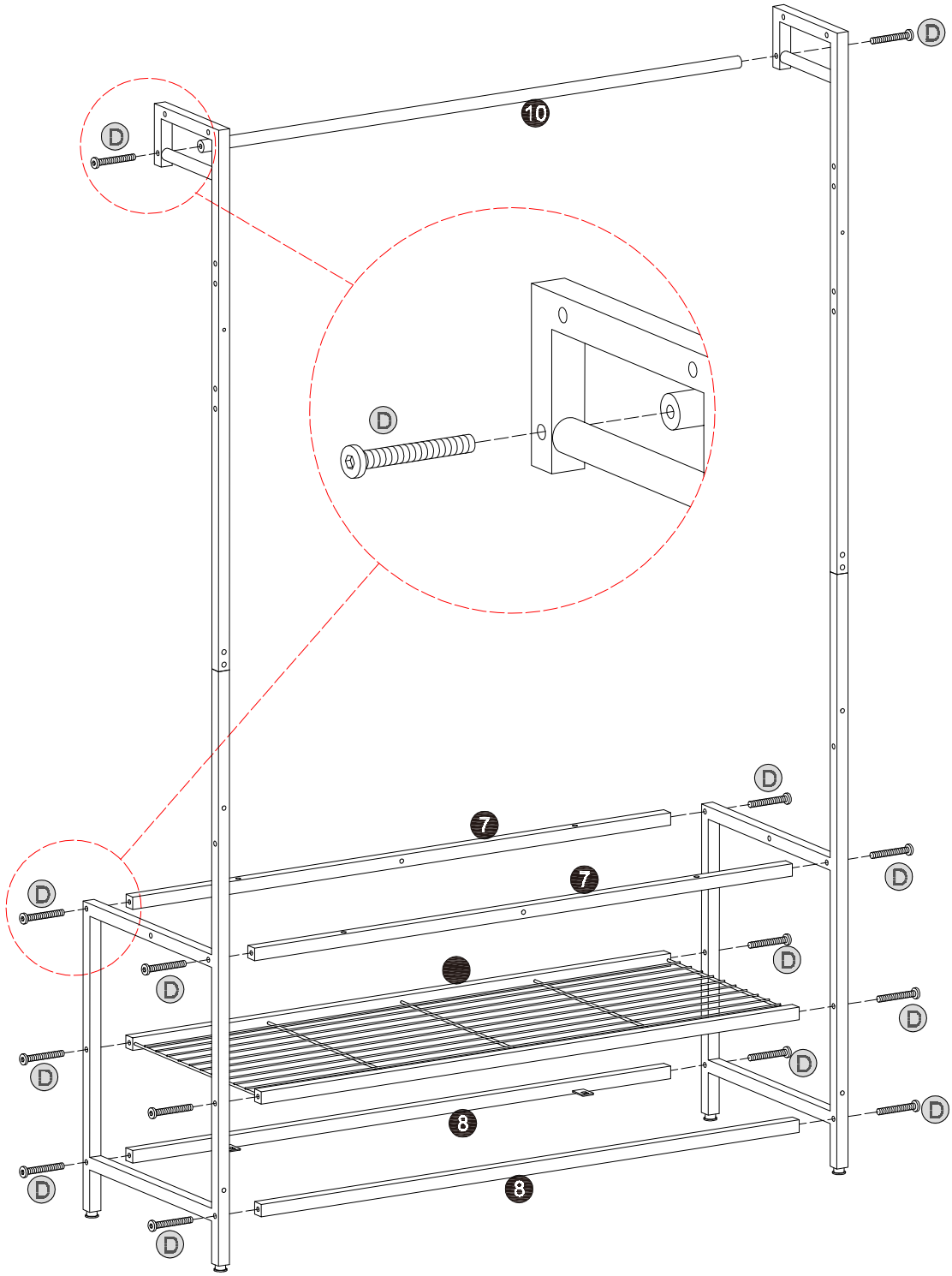


X 2


Step 3:


D M6*35mm

14 PCS

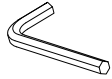
J 4mm

1 PC

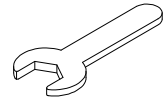


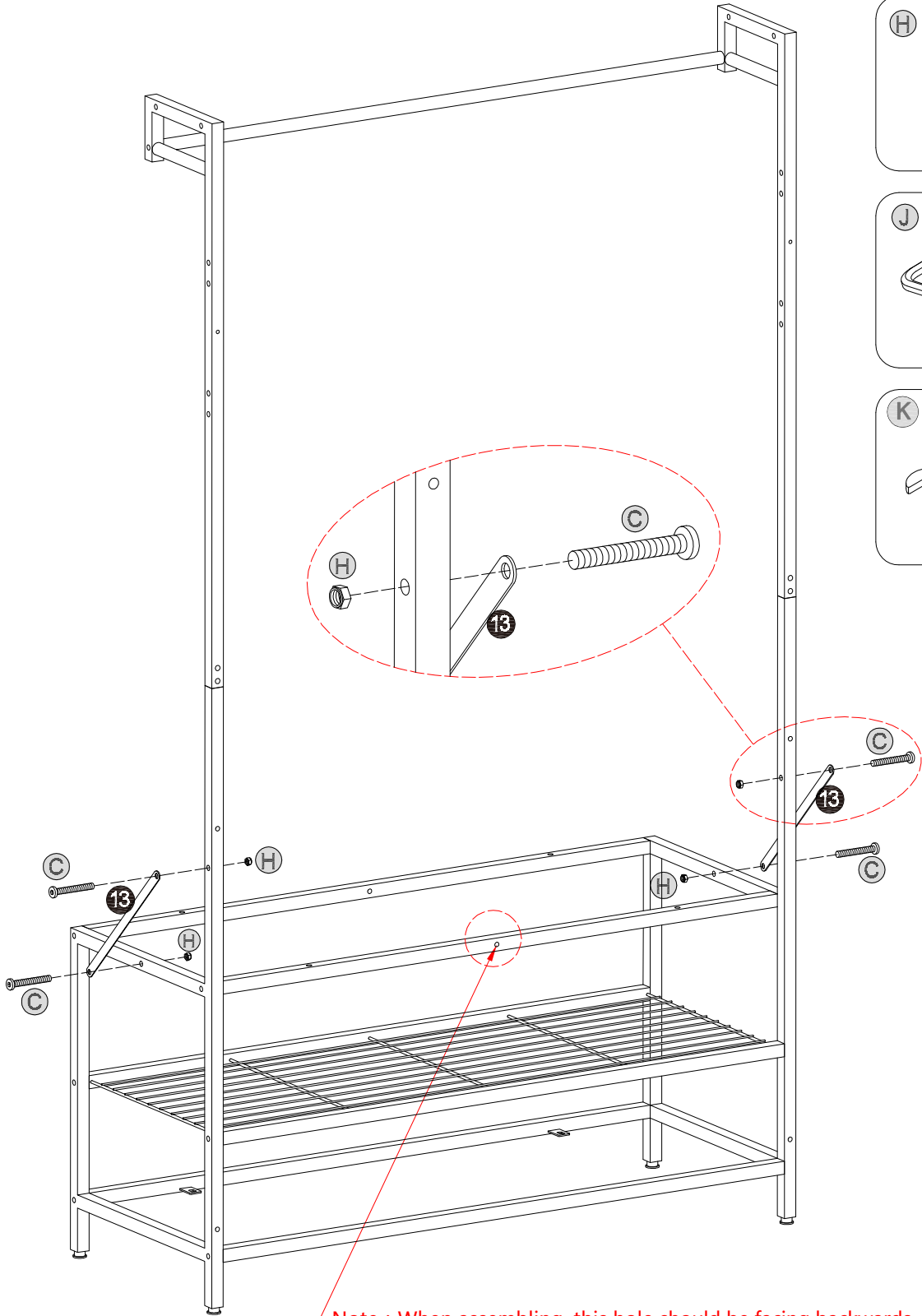
Step4:

C M6*28mm

4 PCS

H M6

4 PCS

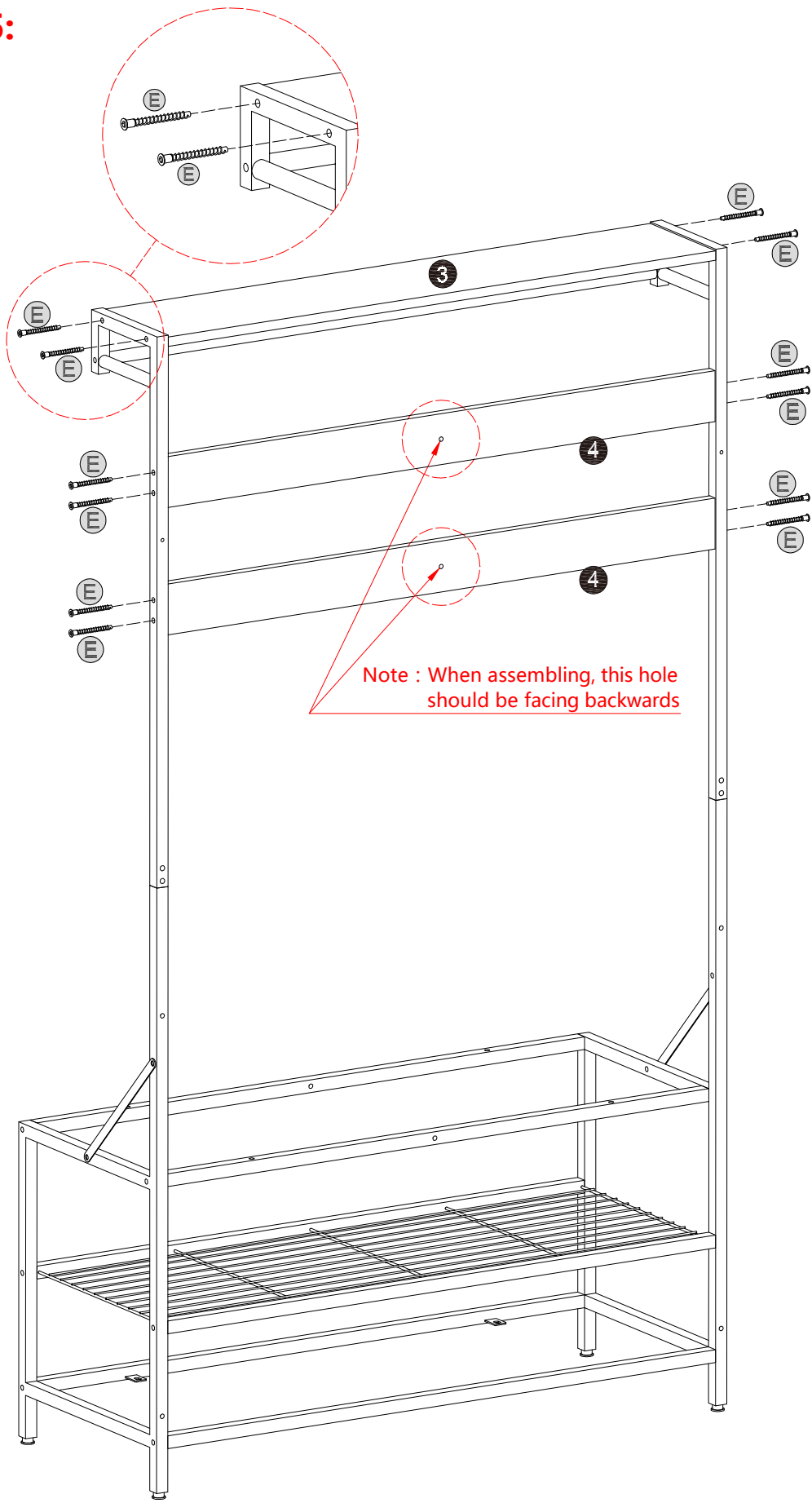
J 4mm

1 PC

K

1 PC




Note : When assembling, this hole should be facing backwards

Step5:

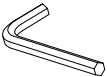


E $\varnothing 7 \times 50 \text{mm}$



12 PCS

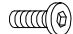
J 4mm

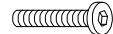


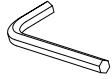
1 PC

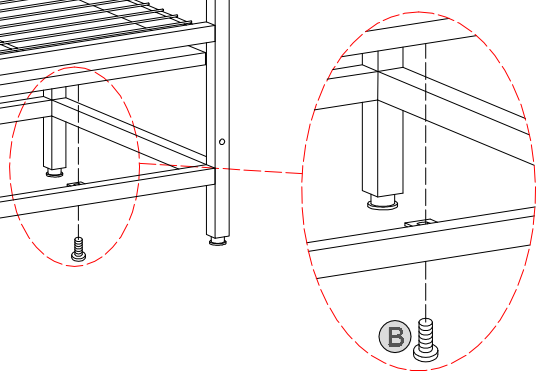
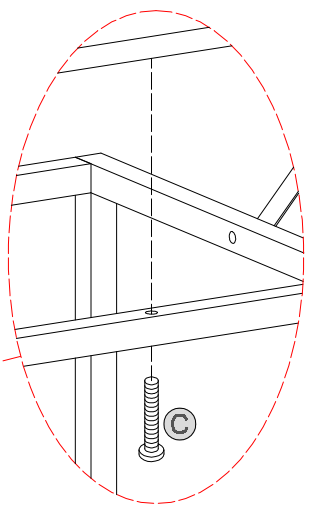
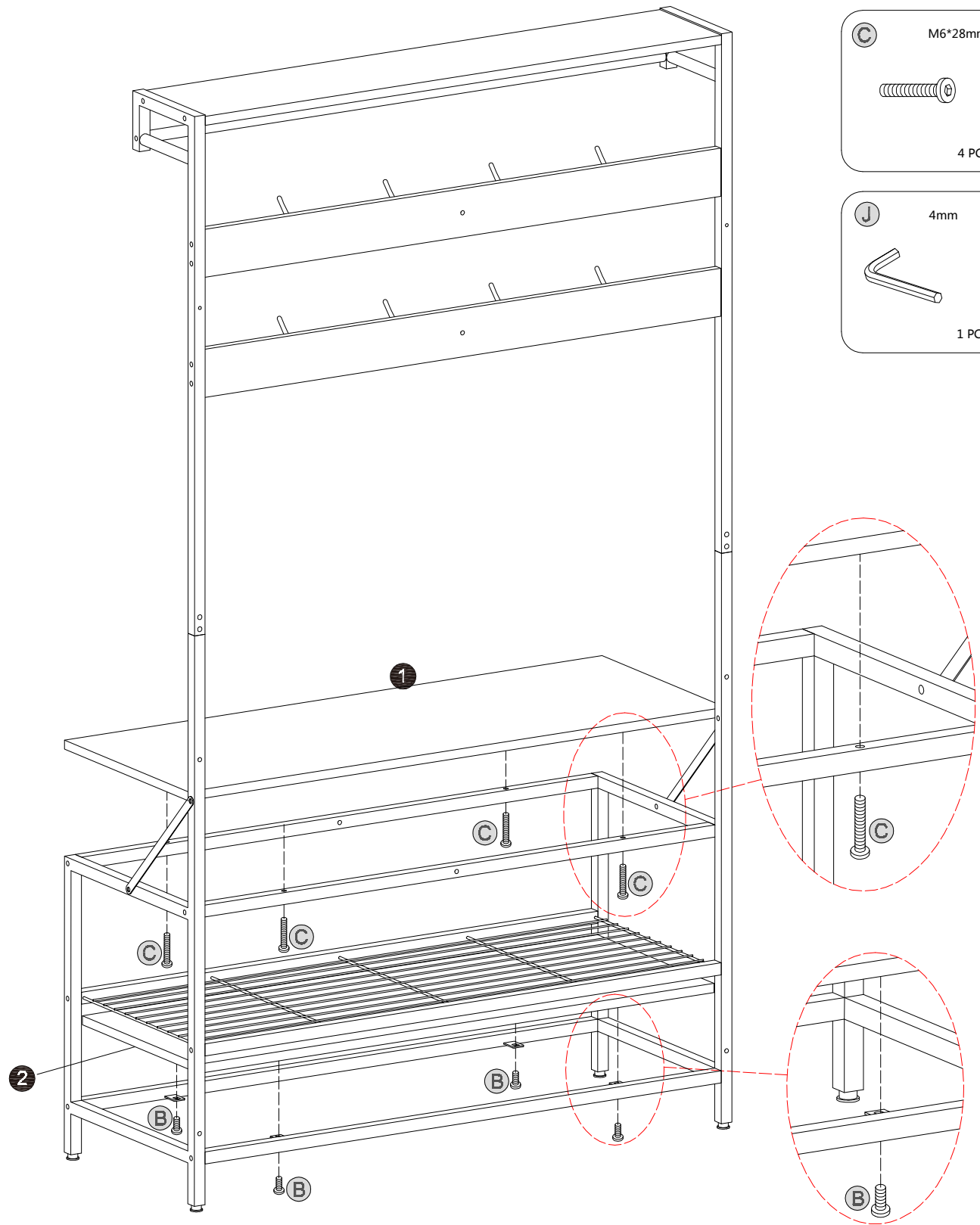
Note : When assembling, this hole should be facing backwards

Step6:

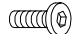
(B) M6*12mm

4 PCS

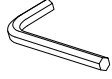
(C) M6*28mm

4 PCS

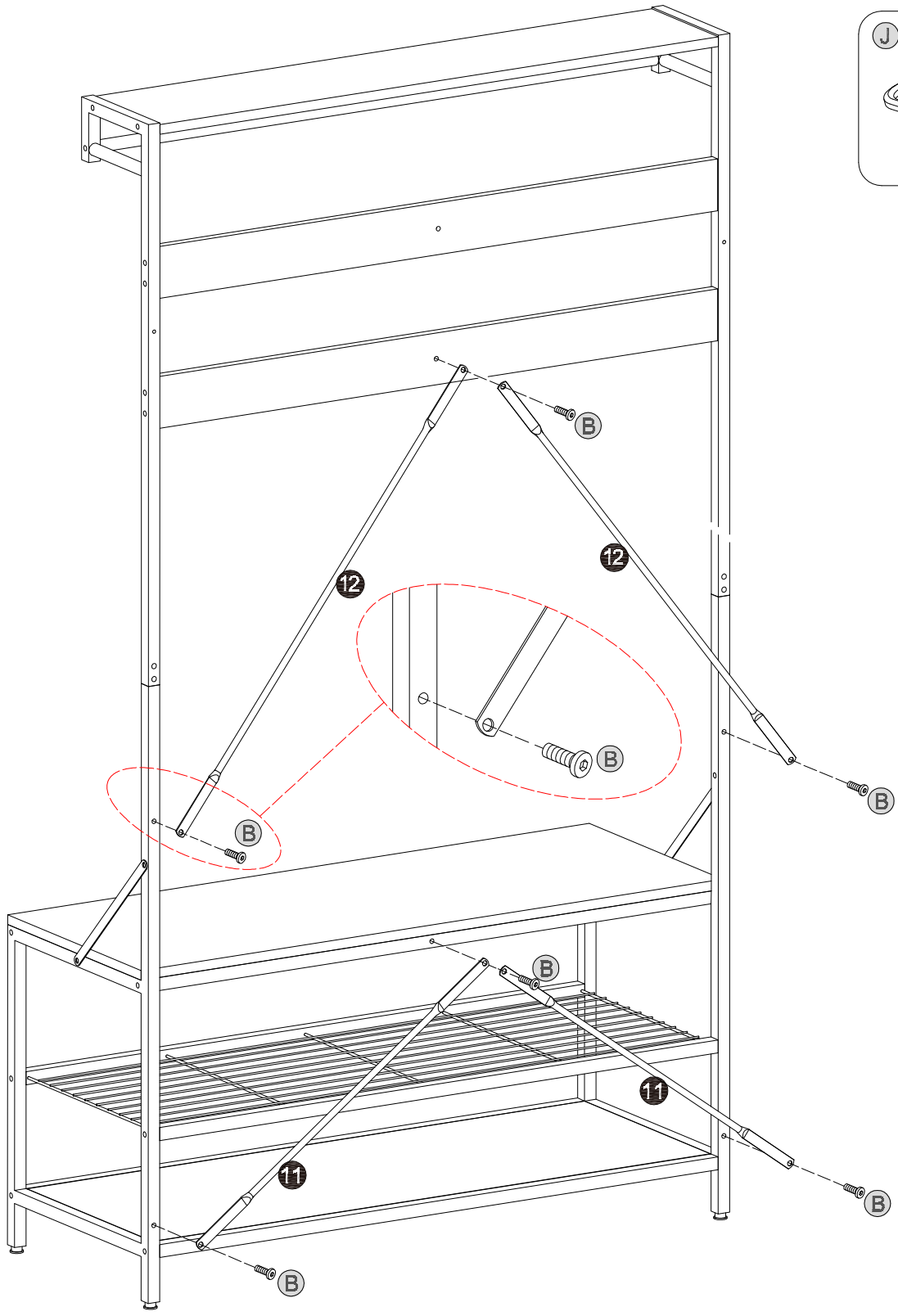
(J) 4mm

1 PC



Step7:

B M6*12mm

6 PCS

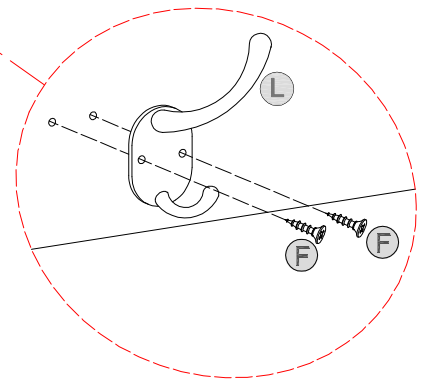
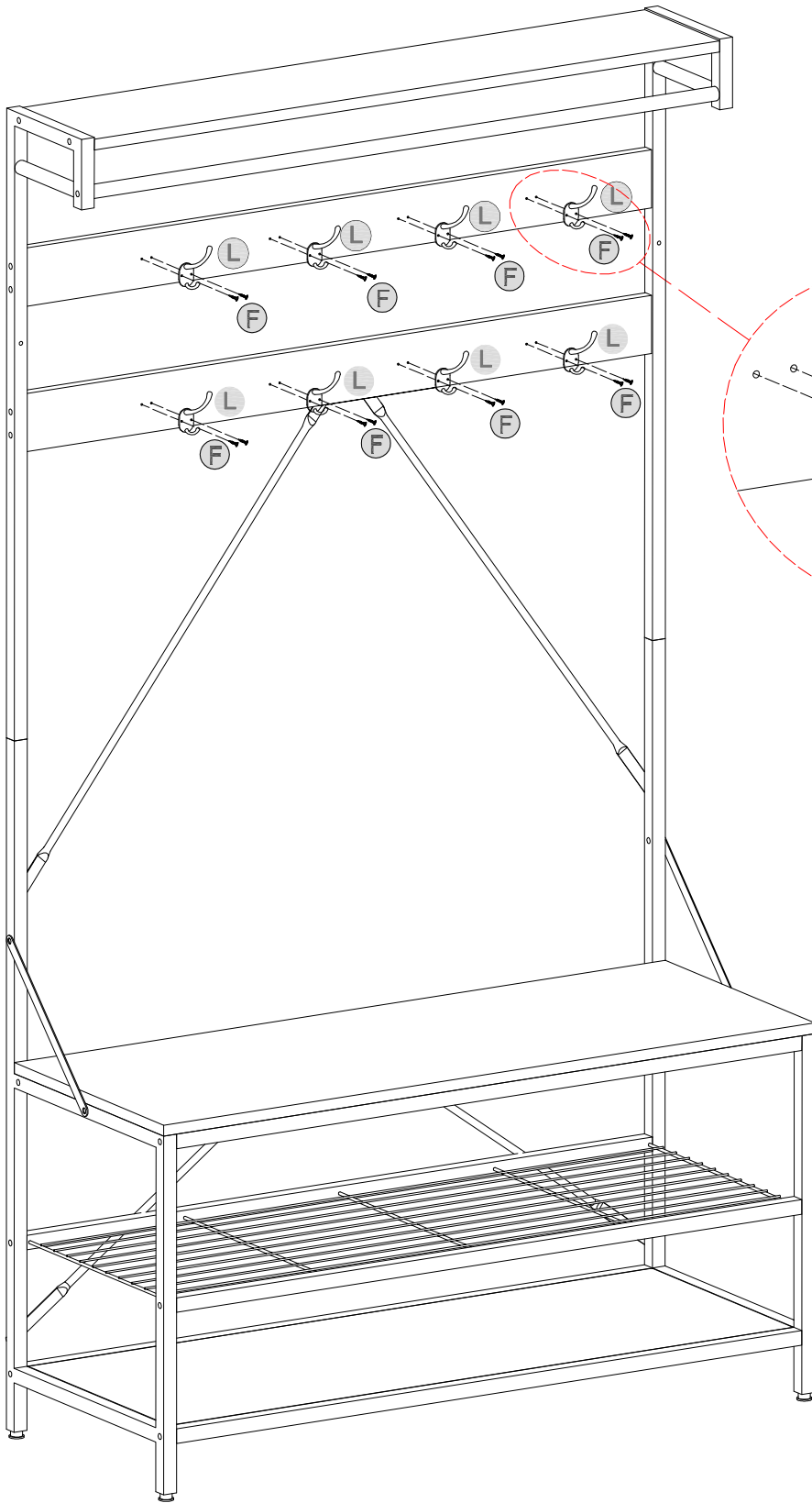
J 4mm

1 PC



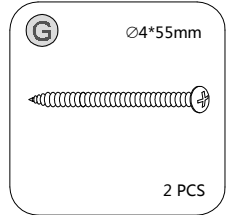
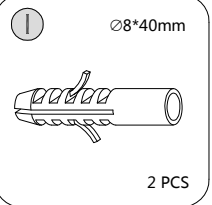
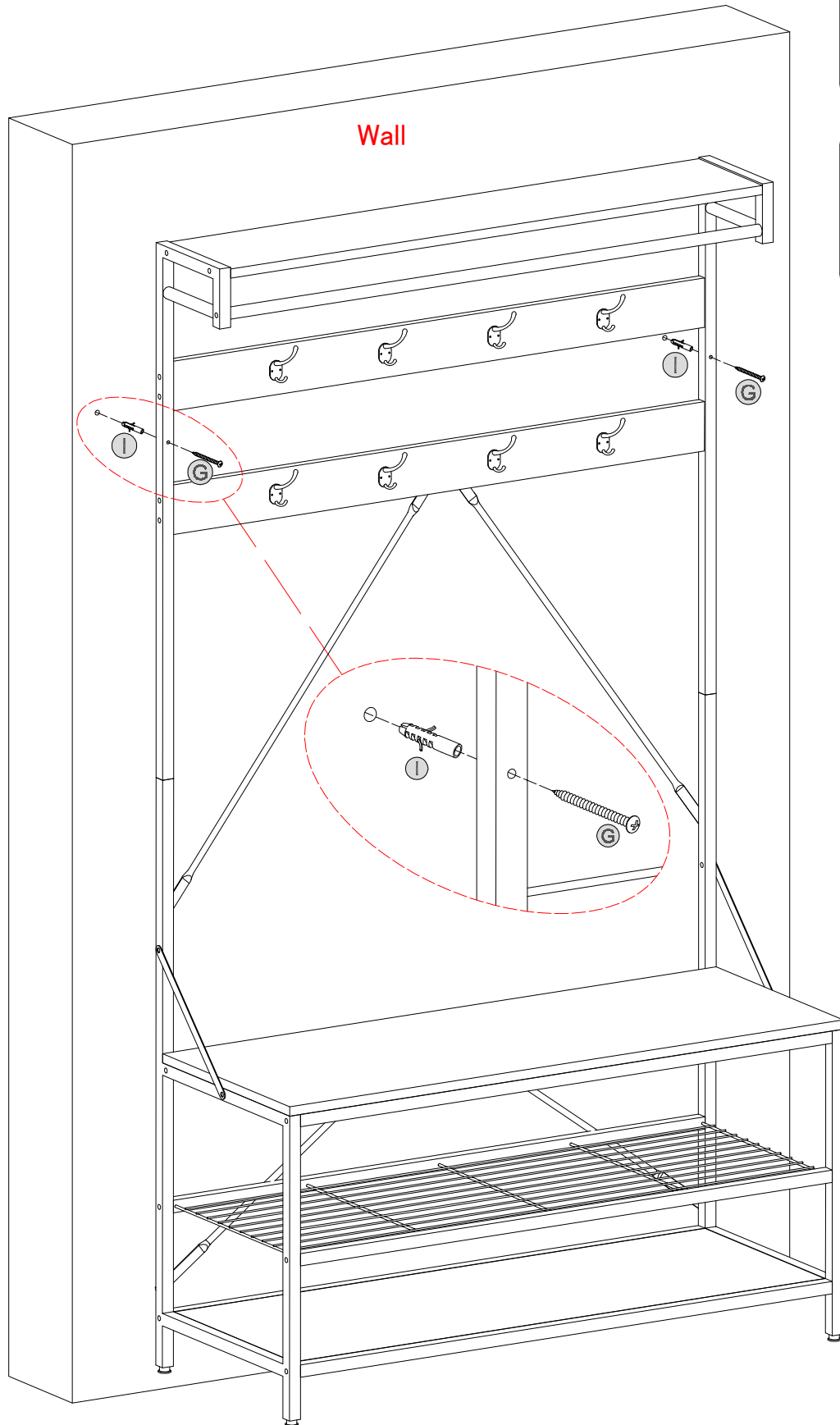
Step8:

F Ø3*15mm
16 PCS

L
8 PCS

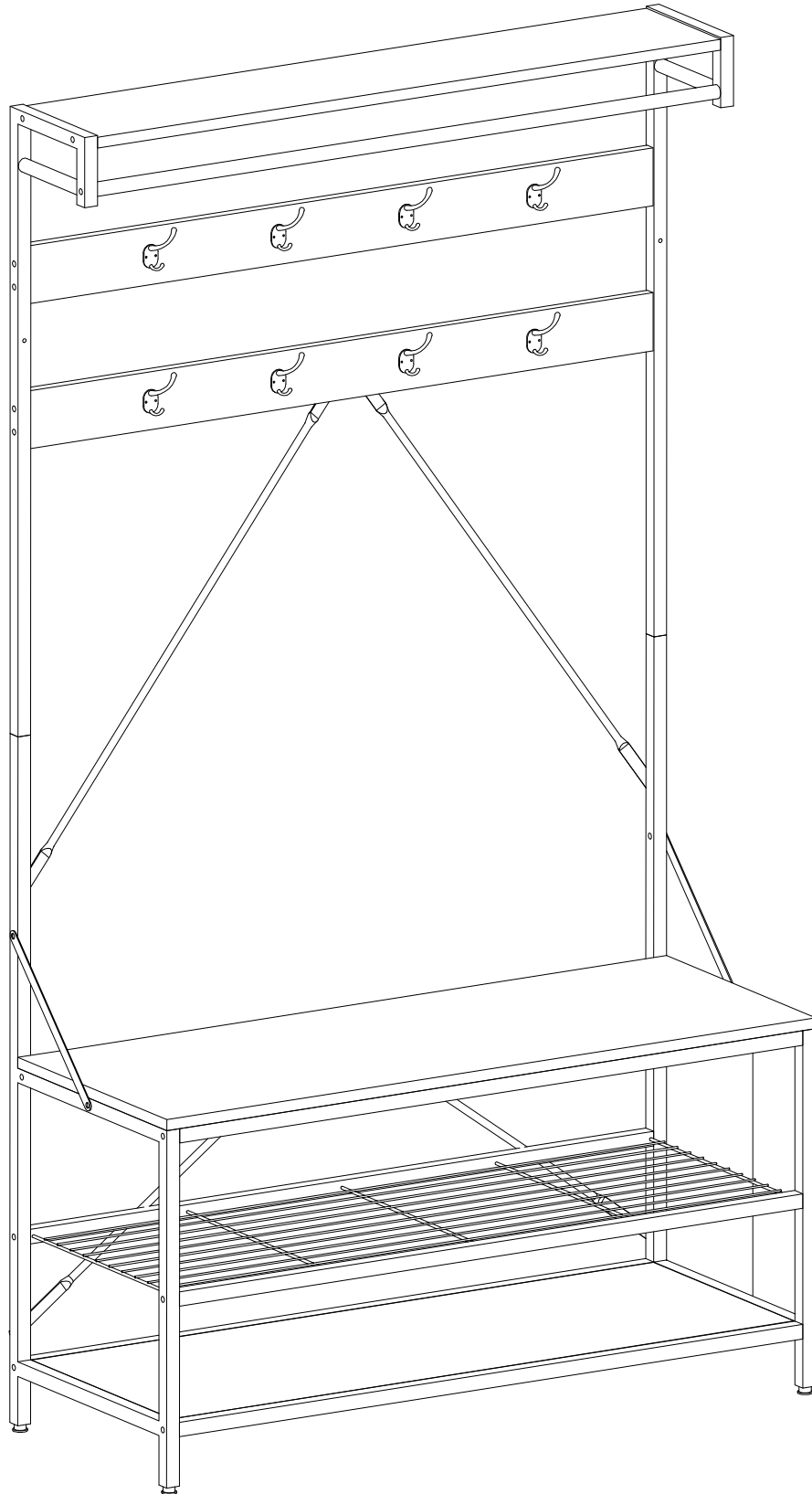


Step9:



You need to drill a hole (aperture: 8 * 45mm) on the wall,
then insert a plastic plug (F) into it and secure it with screws (G)

Step9:



Note : Pls check and tighten all screws.