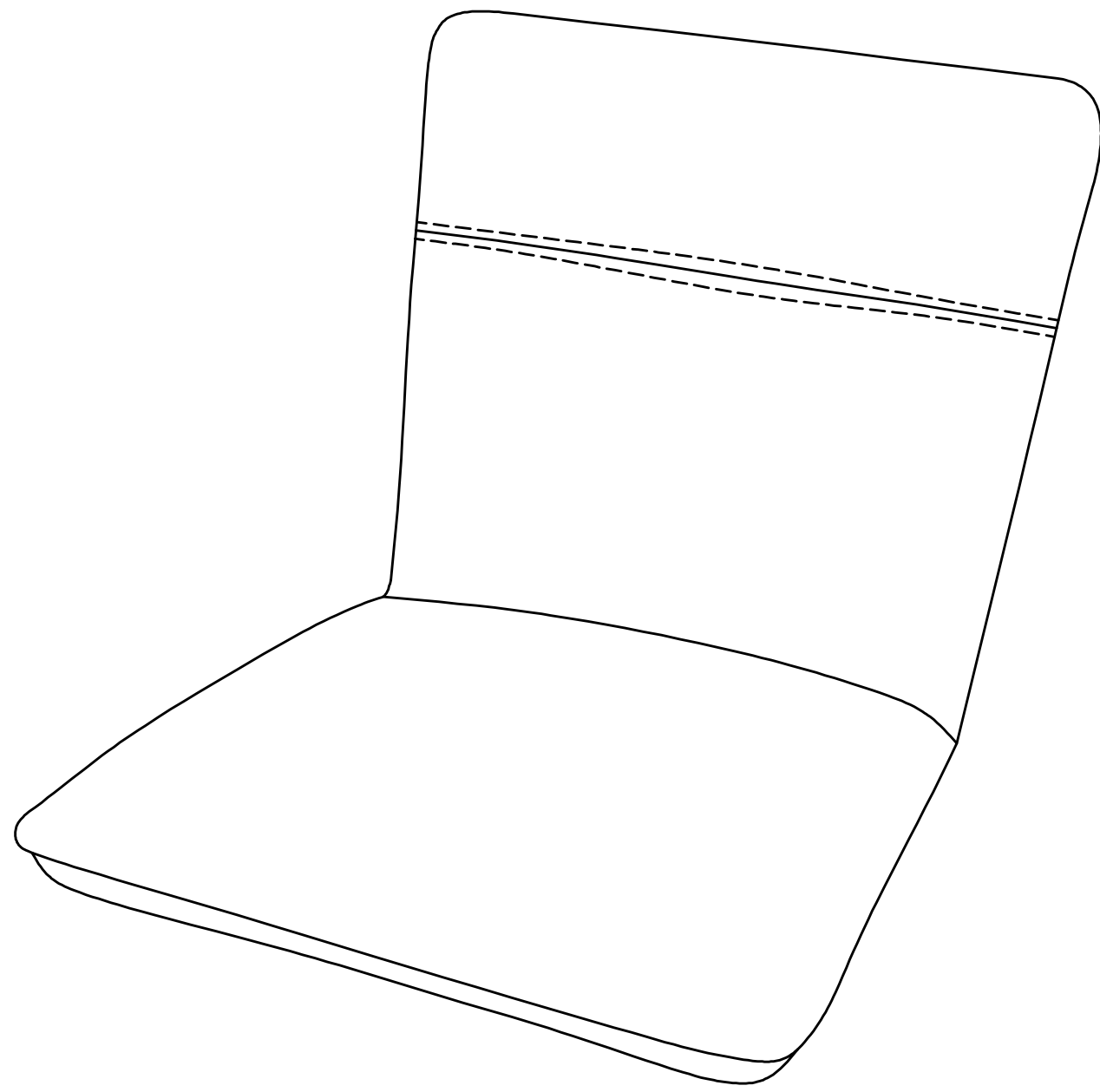


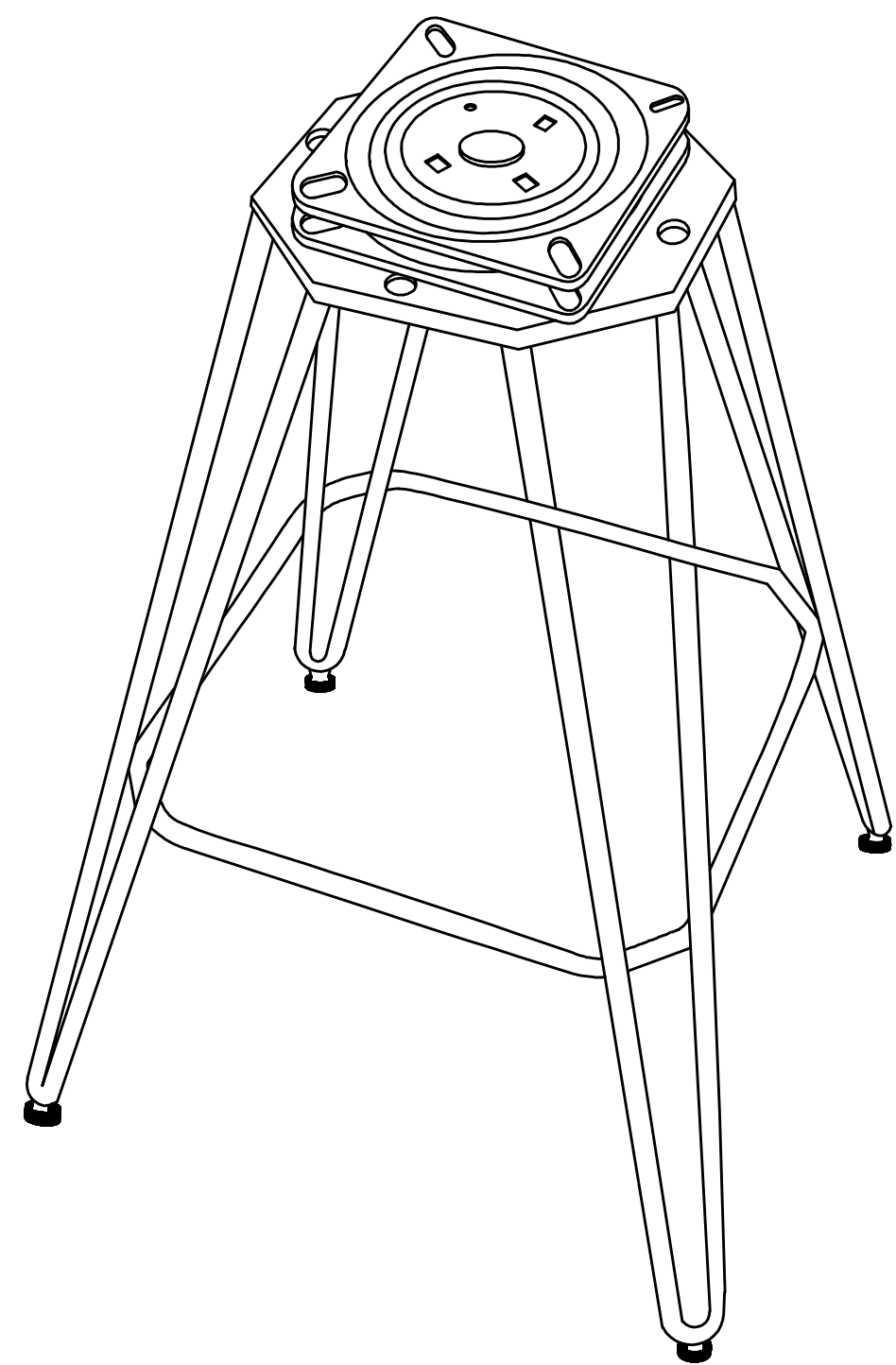
# Assembly Instructions

## Bar Stool

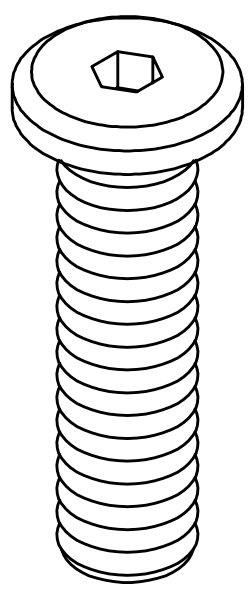
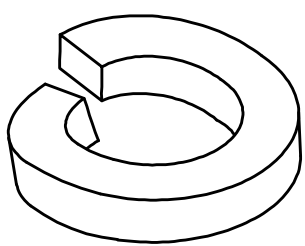
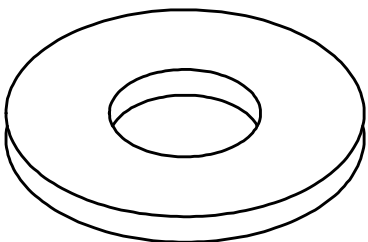
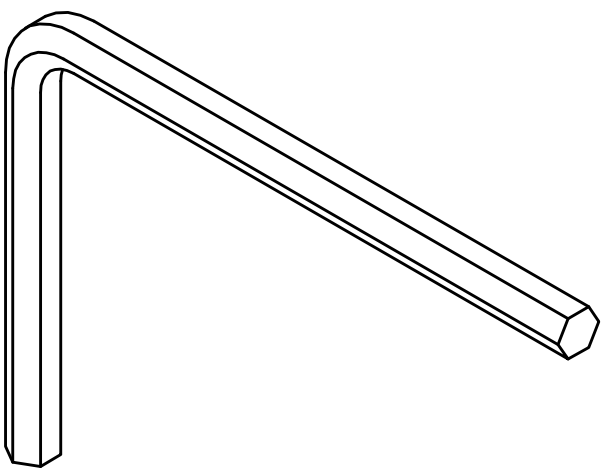
### A. Seat 1PC



### B. Stool Base 1PC

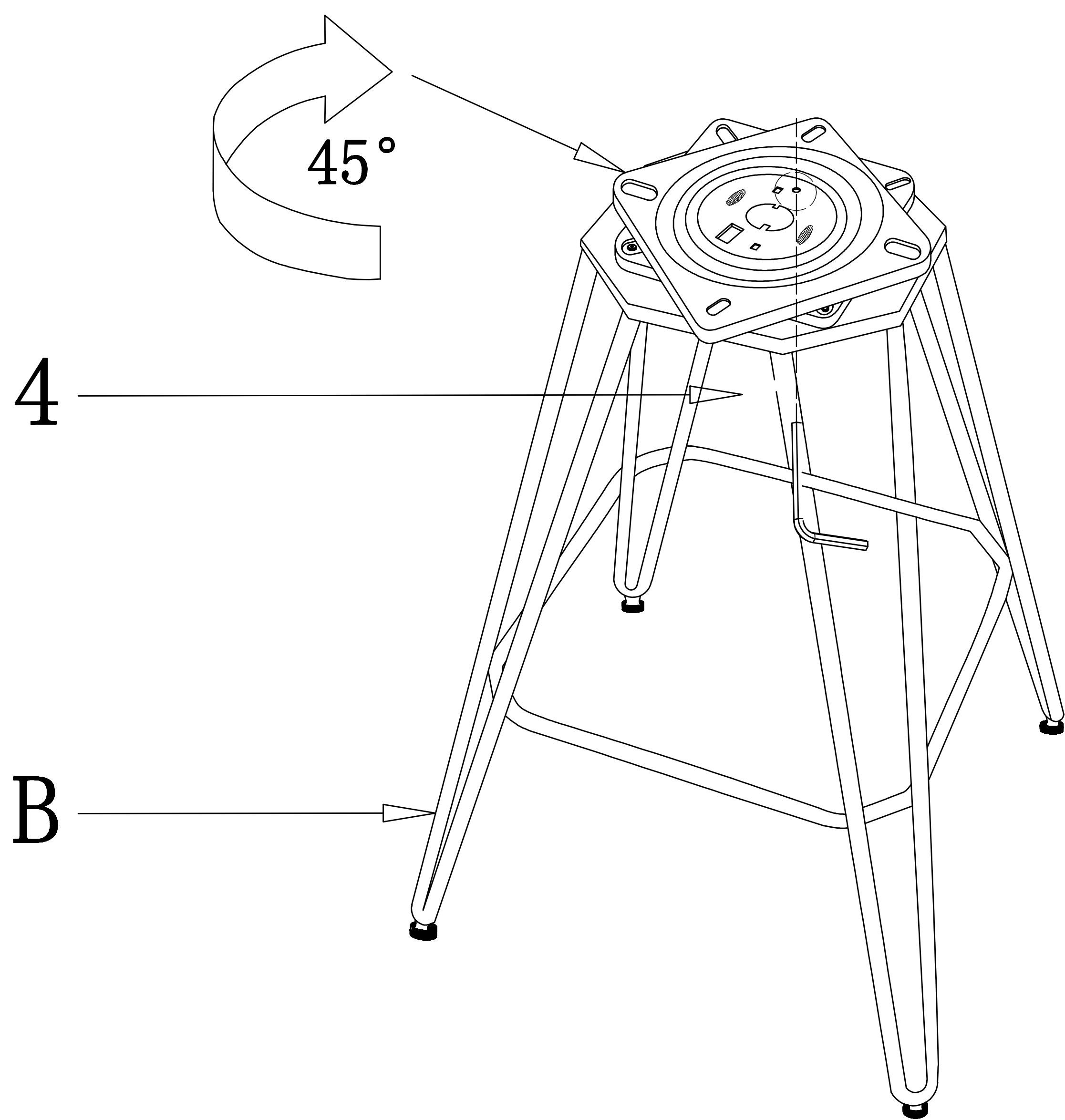


## Hardware Packed in Box

1	THREADED BOLT M6*20MM	4 PCS	2	LOCK WASHER M6	4 PCS	3	WASHER M6	4 PCS	4	ALLEN KEY (4MM)	2 PCS
											

## Step 1:

Before attaching the Stool Base(B), follow the illustration to insert the Allen Key(4) into the swivel base to access the mounting plate holes.



## Step 2:

Attach the Stool Base to the Seat(A) using four Bolts(1), Lock Washers(2) and Flat Washers(3). Tighten all bolts with the second Allen Key. Carefully remove the Allen Key from Step 1 after tightening.

