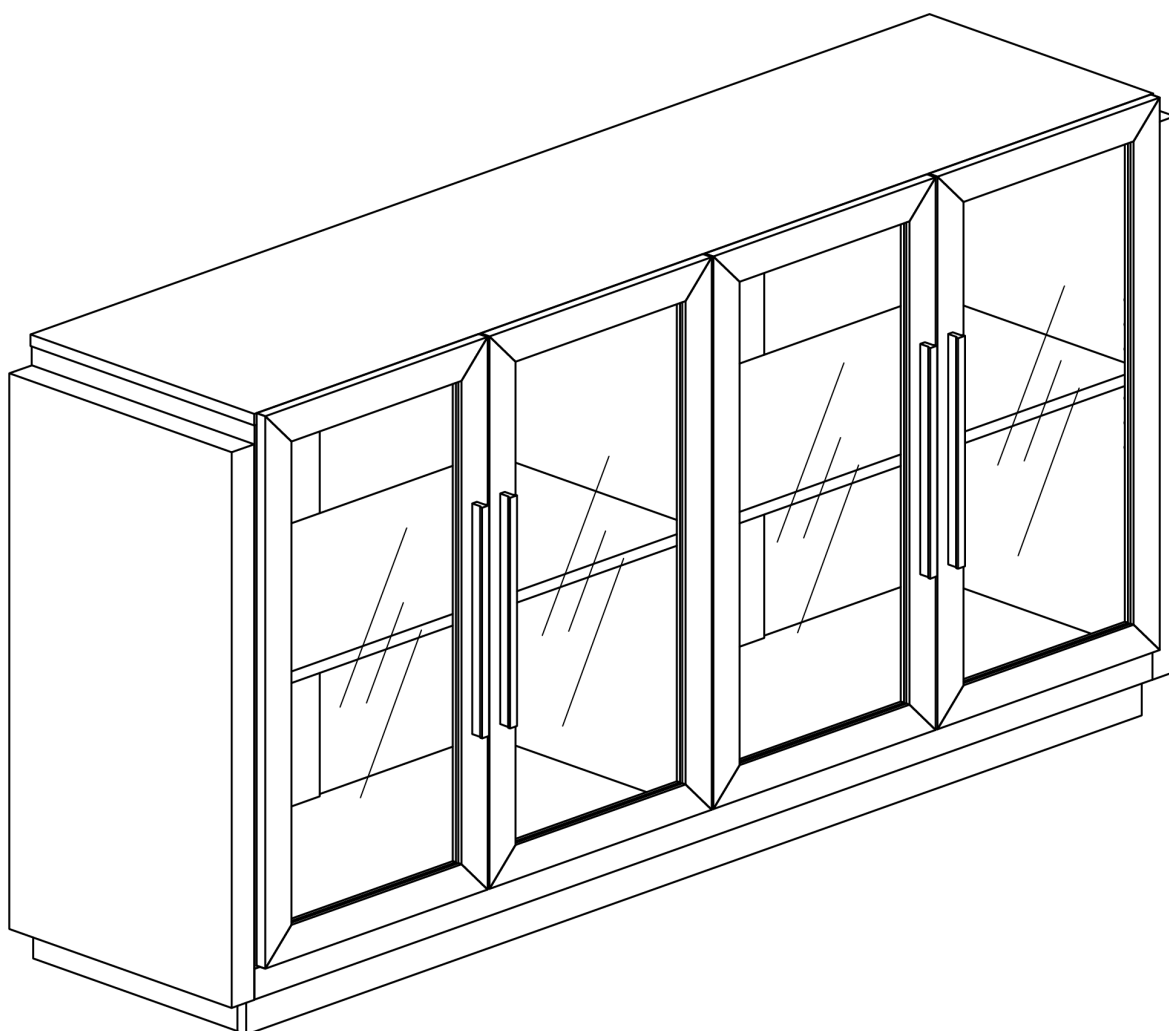


# Installation & Assembly

## Sideboard



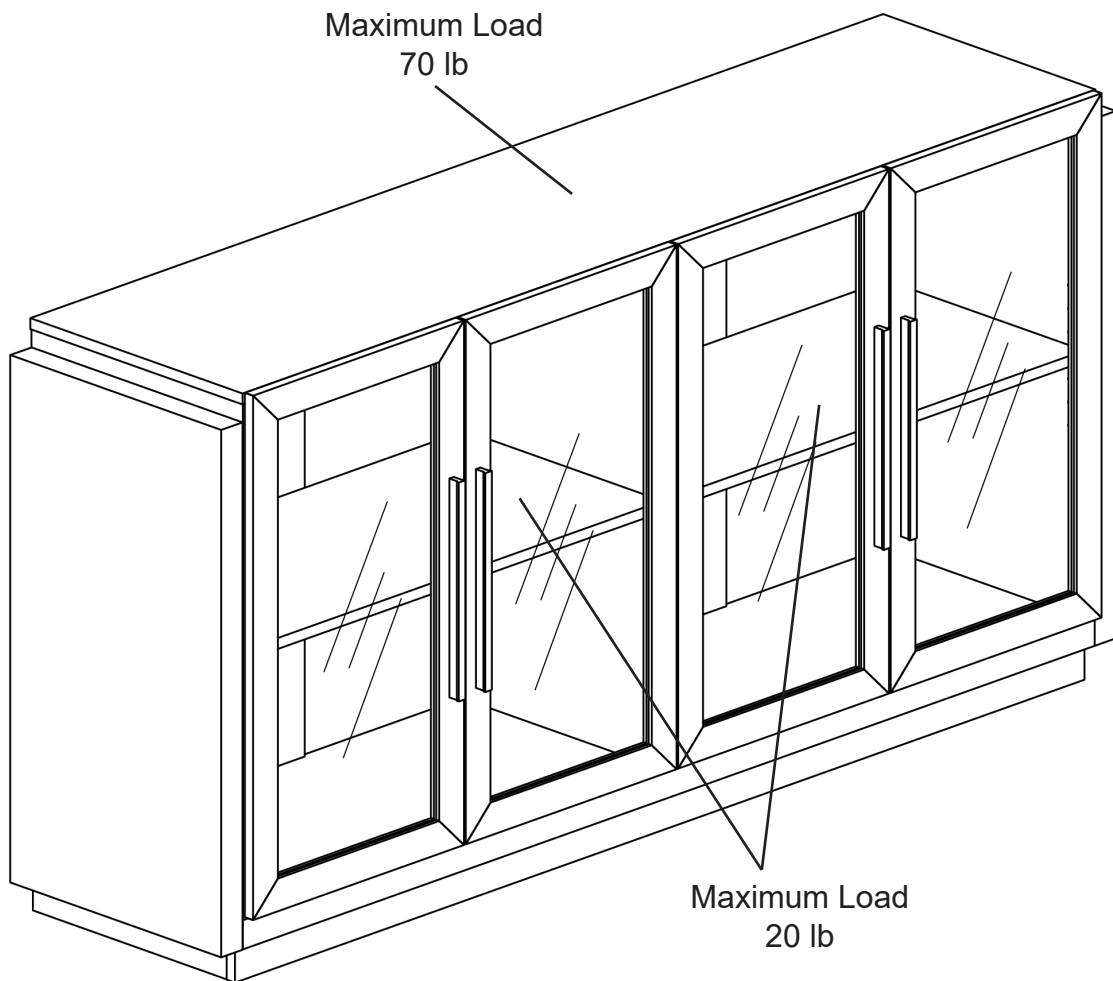


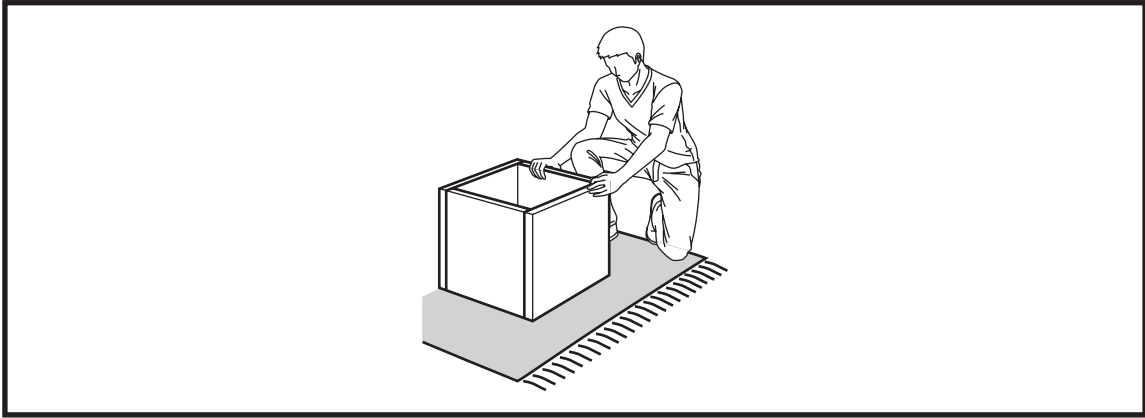
Estimated time for assembly:

**90 mins**



Weight limitations are as follows:

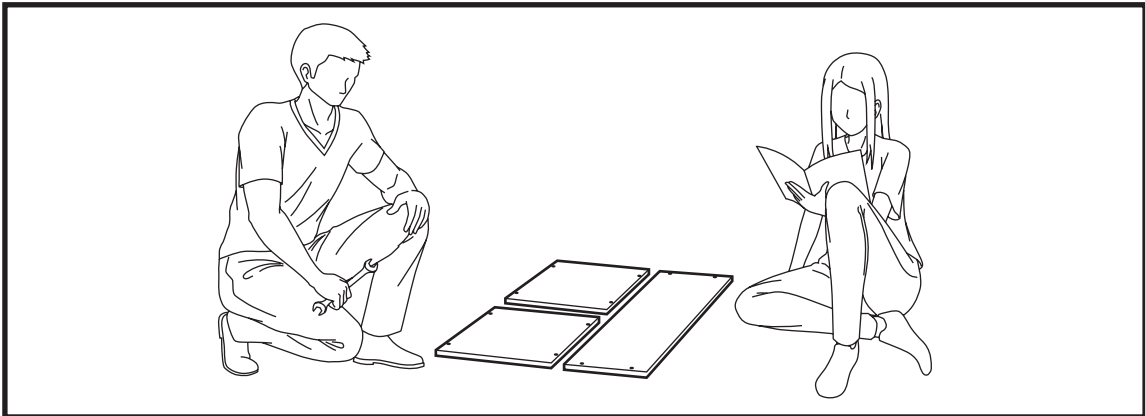




Assemble the furniture on an empty carton, carpet, or rug to prevent scratches or damage.

For safety, please keep pets and children away from the assembly area.

Ensure the product is fully assembled before use. If you are missing any hardware or products, do not use it until you have restored the missing parts.



This furniture requires 2 people for assembly.

Read this instruction manual prior to assembly to familiarize yourself with the various steps.

Lay out all components and hardware separately on a flat surface and make sure that no parts are missing or damaged before assembly. Do not destroy or discard any packaging until you are certain that you have all the necessary parts for assembly.

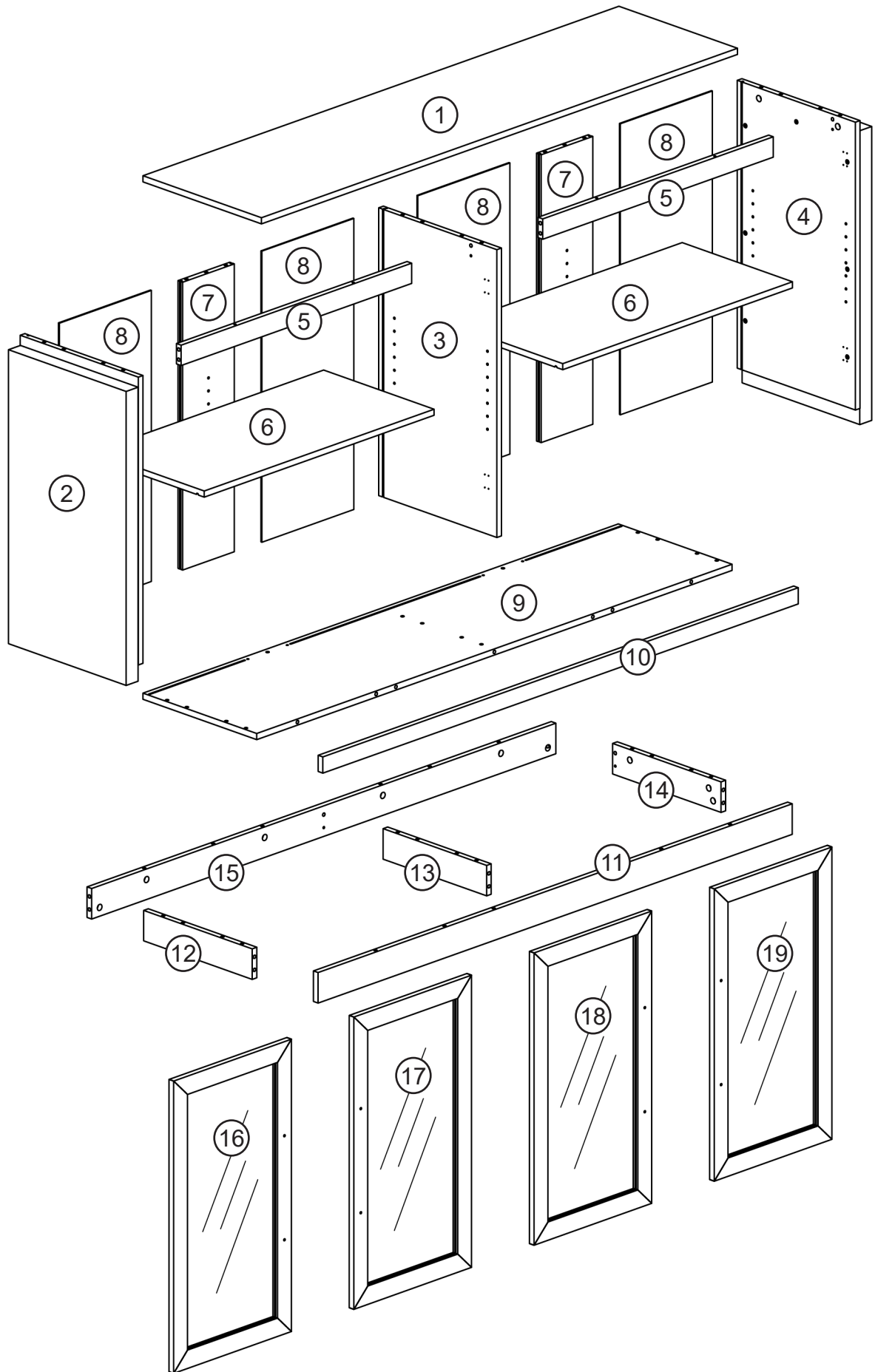
Hand tight all hardware and careful not to over tighten to avoid damaging the product.

## **CAUTION**

There are small components used in the construction of this product. Loose items should be kept away from pets and children to avoid a choking hazard.

Keep all plastic bags and packaging film away from pets and children to avoid suffocation.

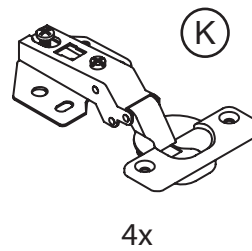
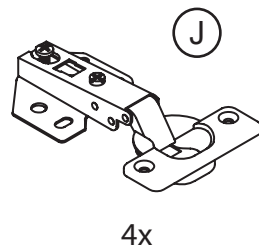
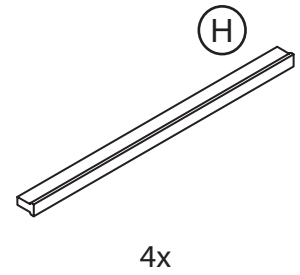
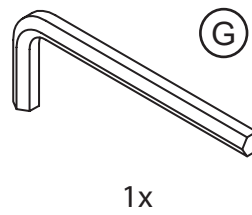
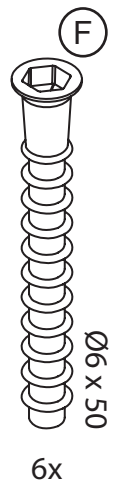
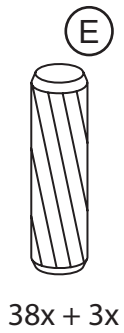
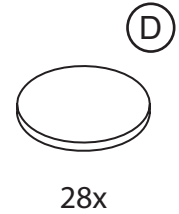
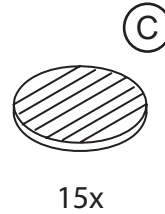
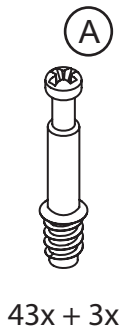
# PACKAGE CONTENTS



# PACKAGE CONTENTS

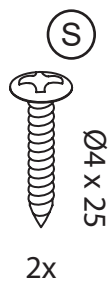
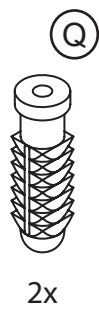
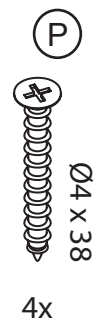
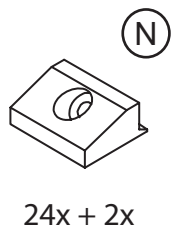
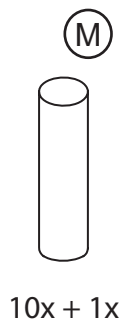
CODE	DESCRIPTION	QTY
1	Top Panel	1
2	Left Panel	1
3	Median Panel	1
4	Right Panel	1
5	Top Cross Bar	2
6	Storage Shelf Panel	2
7	Back Support Panel	2
8	Back Panel	4
9	Base Panel	1
10	Bottom Cross Bar	1
11	Base Front Leg	1
12	Base Left Leg	1
13	Base Center Leg	1
14	Base Right Leg	1
15	Base Back Leg	1
16	Left Cabinet Left Door	1
17	Left Cabinet Right Door	1
18	Right Cabinet Left Door	1
19	Right Cabinet Right Door	1

# PACKAGE CONTENTS

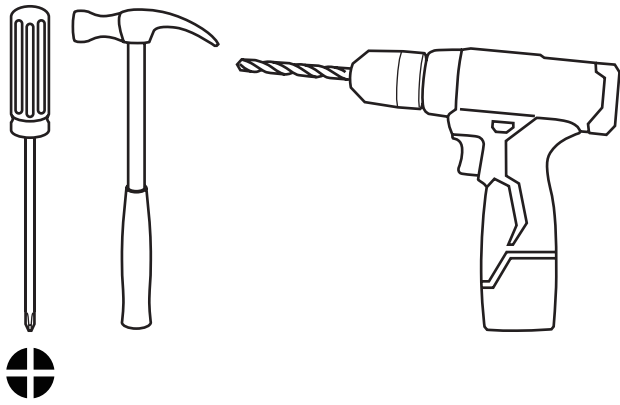


Install all hardware perpendicular to the opening.

# PACKAGE CONTENTS



Required tools for assembly (Not included)

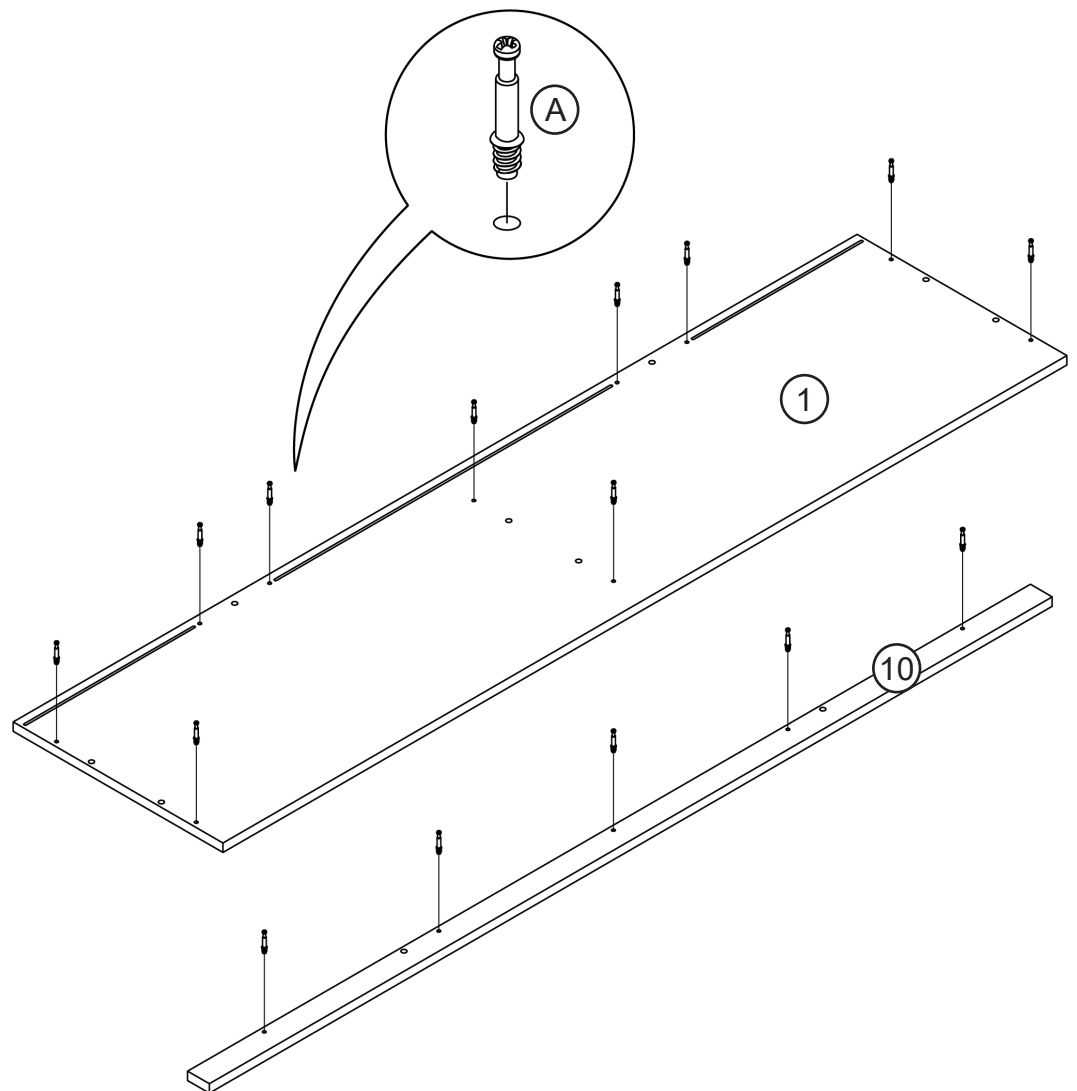


**1**

Attach cam bolts to the top panel and the bottom cross bar.

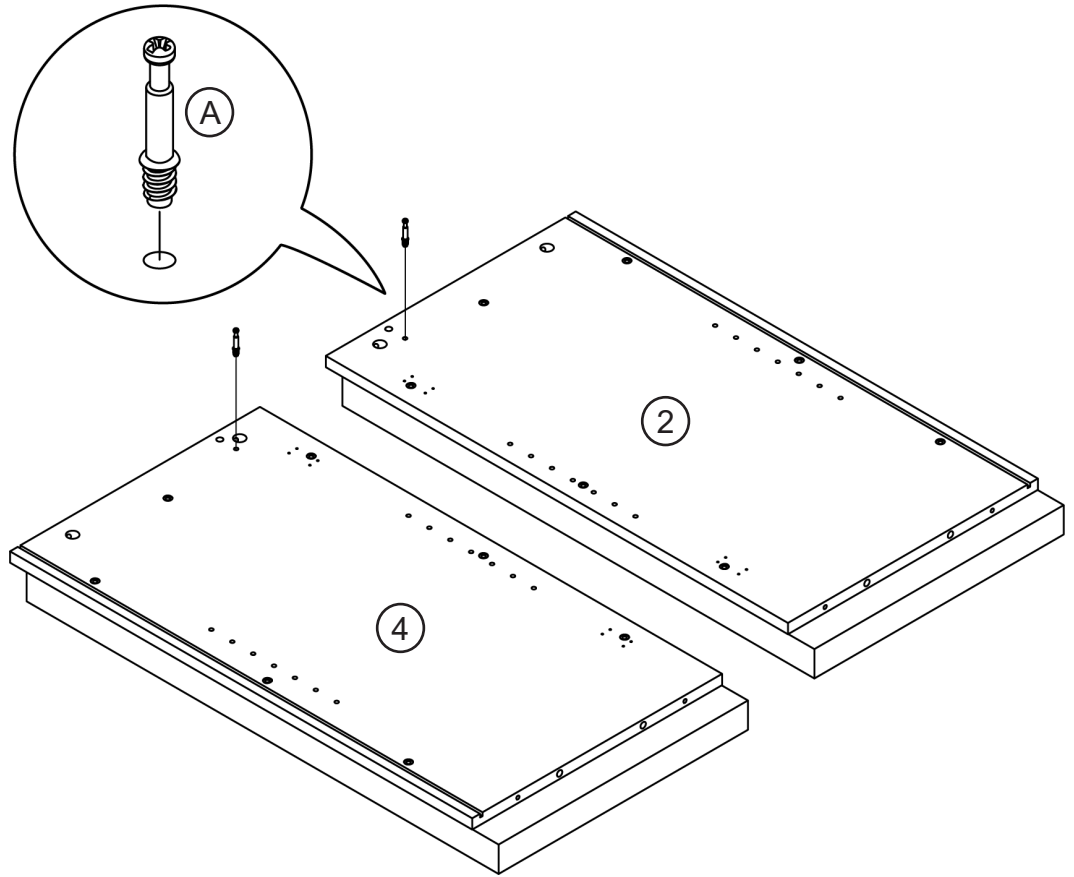
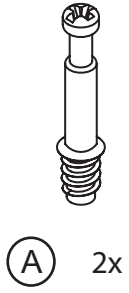


(A) 15x



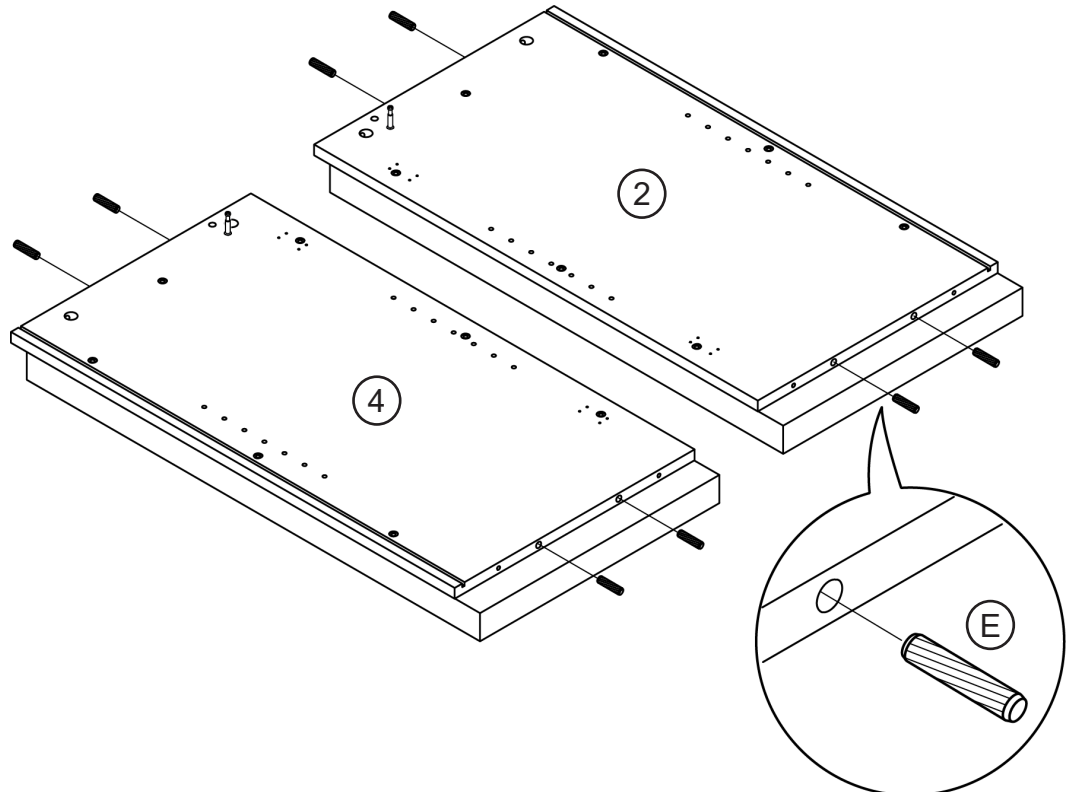
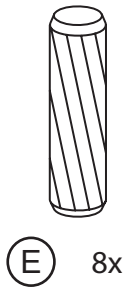
# 2

Attach cam bolts to the left and right panels.



# 3

Insert wood dowels to the left and right panels.

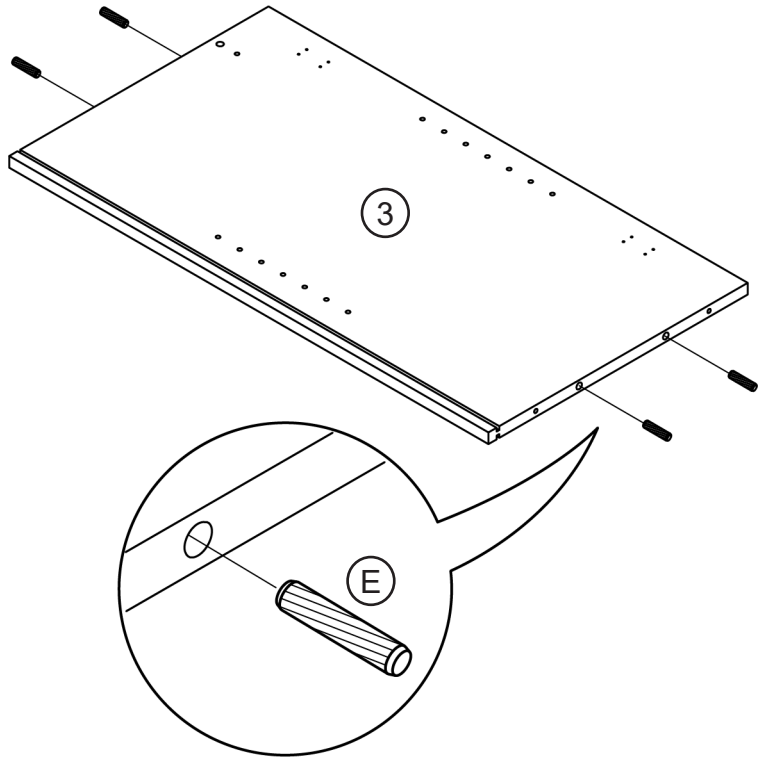


# 4

Insert wood dowels into the median panel.

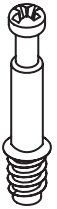


(E) 4x

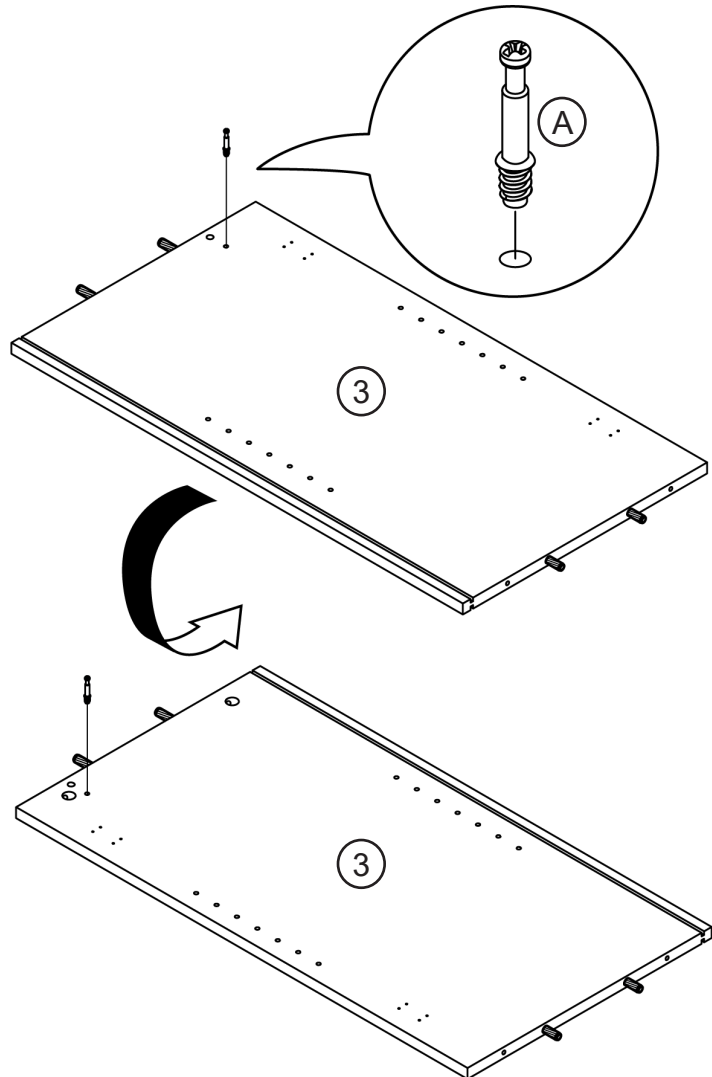


# 5

Attach cam bolts on both sides of the median panel.



(A) 2x

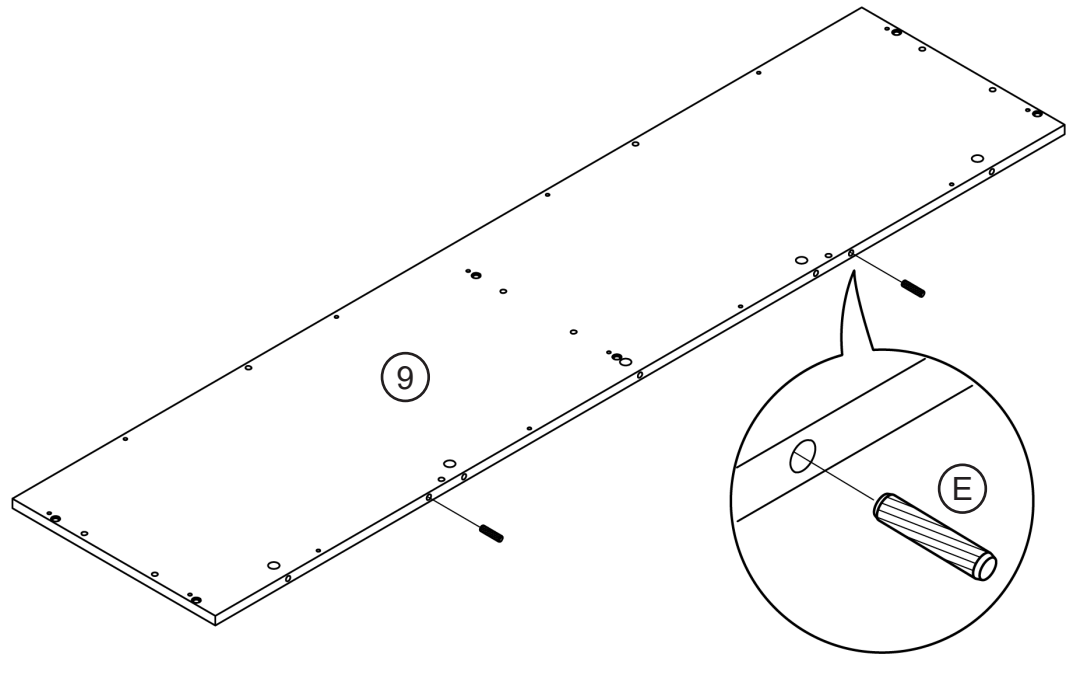


# 6

Insert wood dowels to the base panel.



(E) 2x

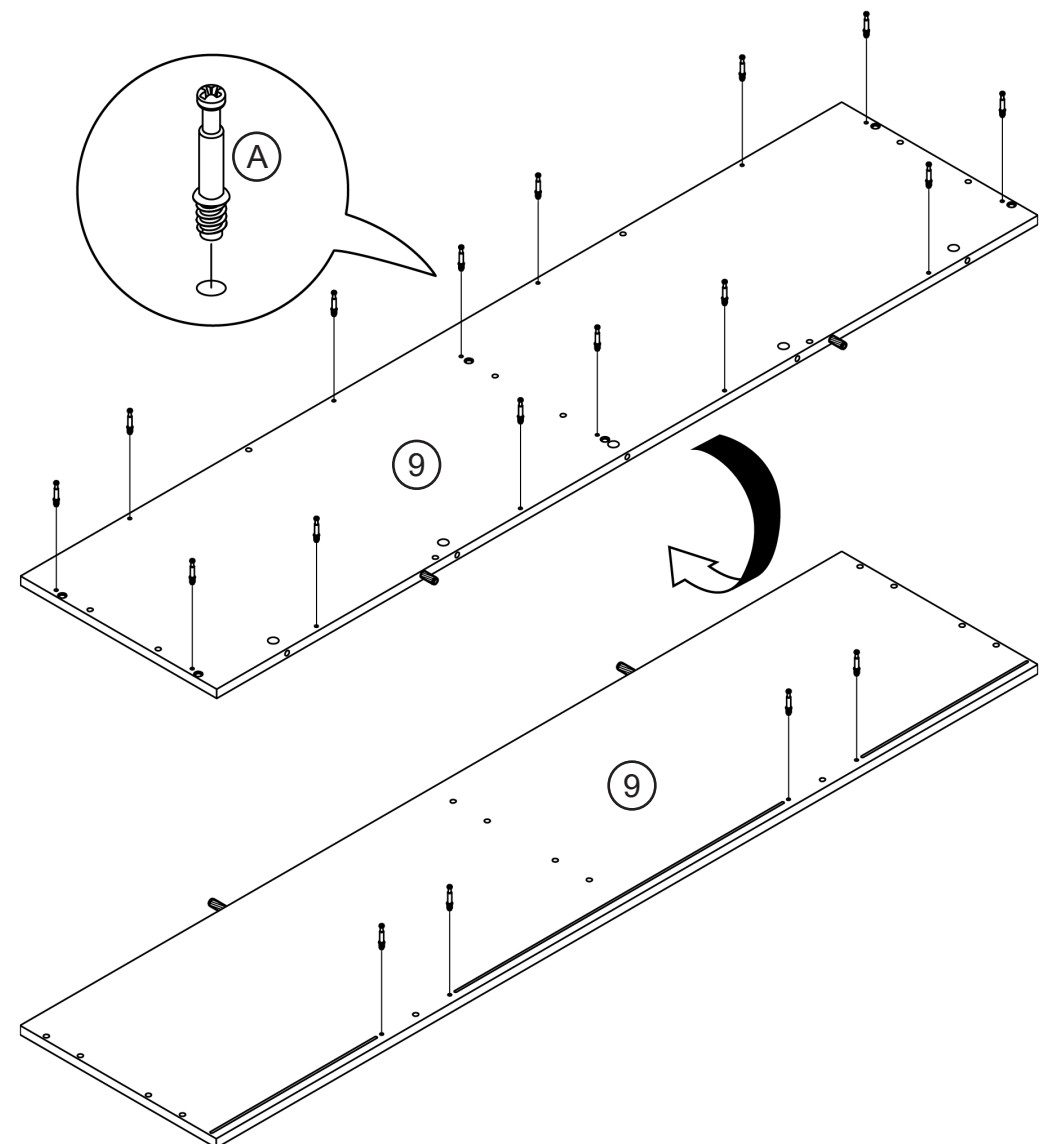


# 7

Attach cam bolts on both sides of the base panel.

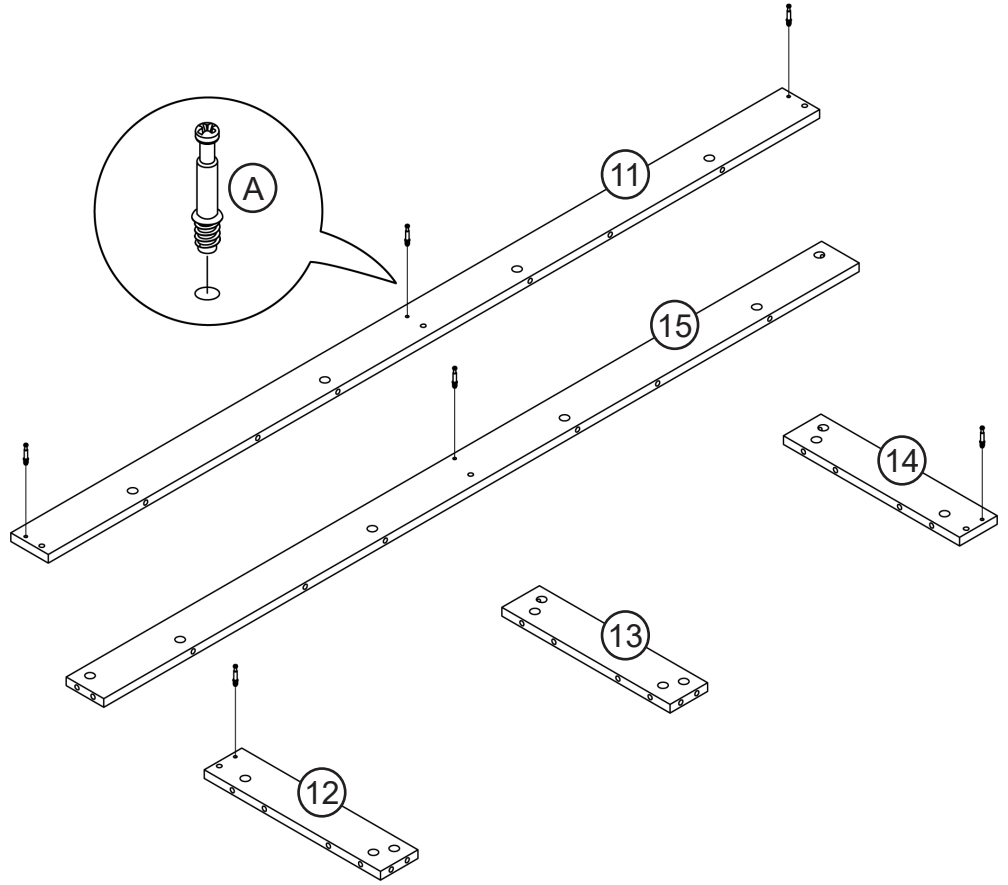
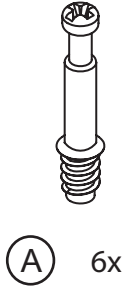


(A) 18x



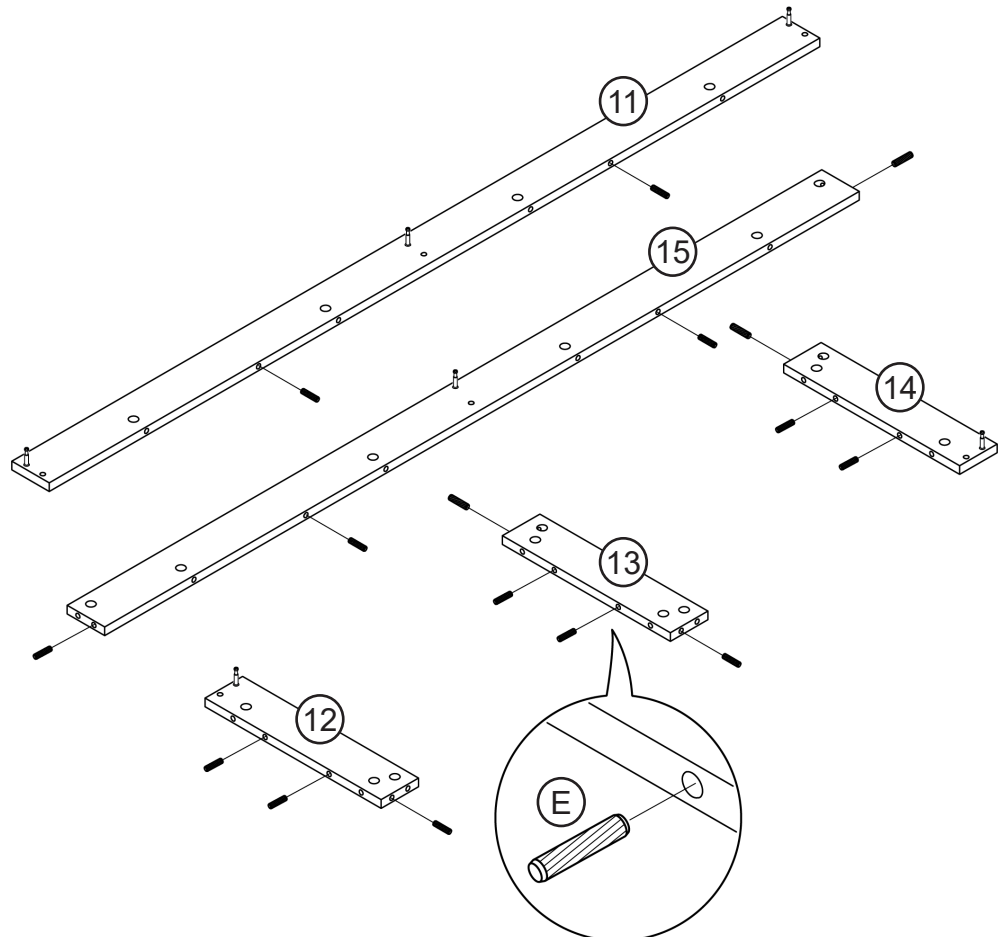
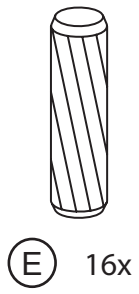
# 8

Attach cam bolts on the base legs.



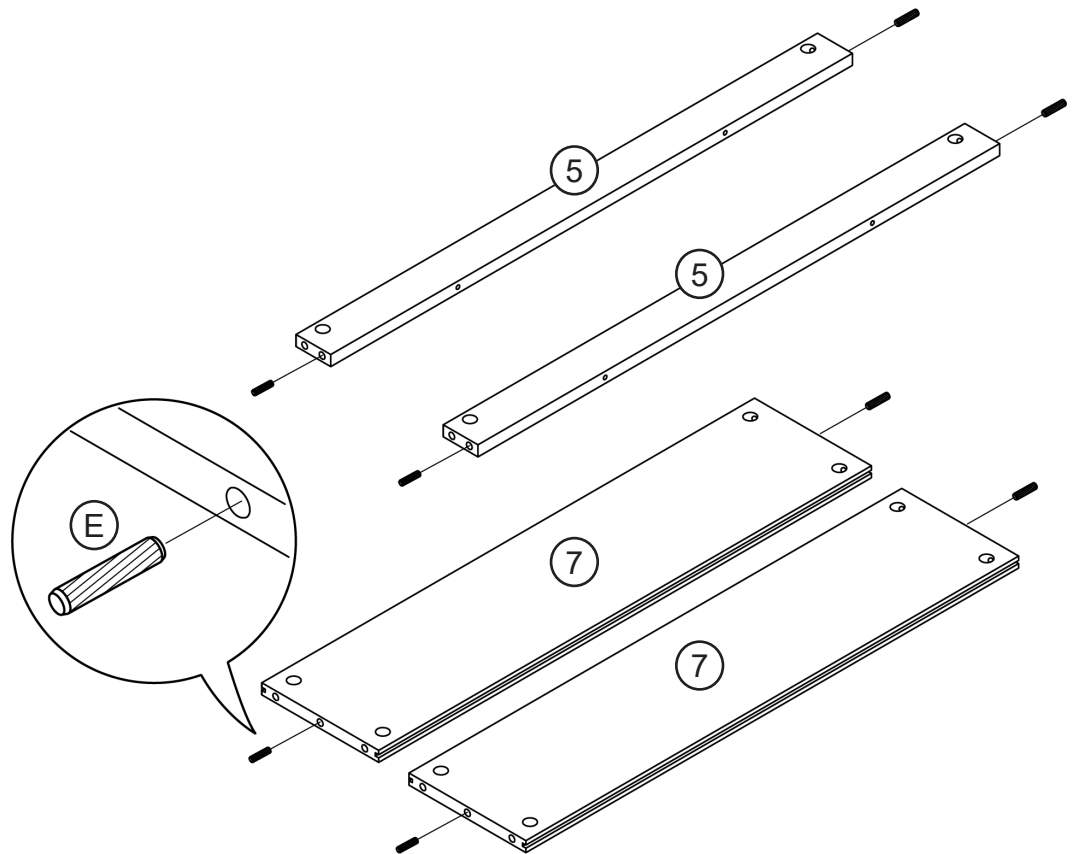
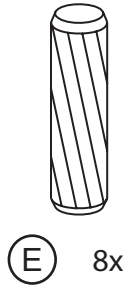
# 9

Insert wood dowels to the base legs.



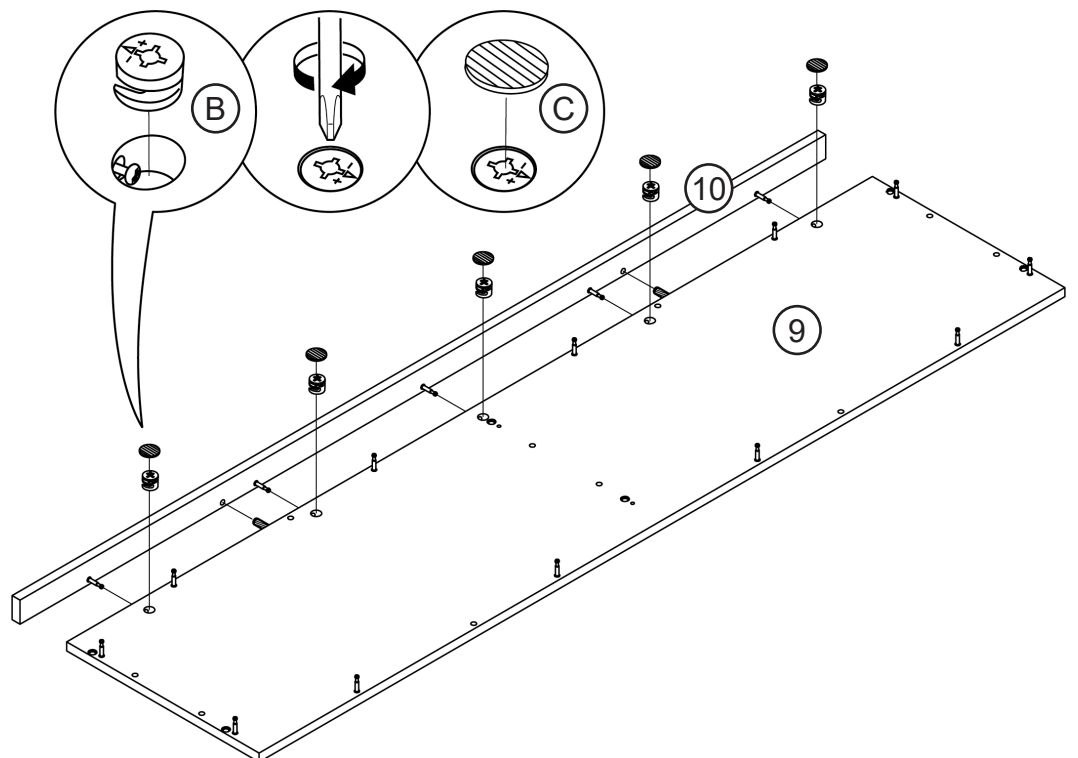
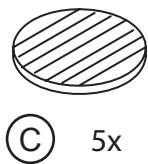
# 10

Insert wood dowels to the top cross bars and back support panels.



# 11

Attach the bottom cross bar to the base panel.

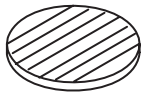


# 12

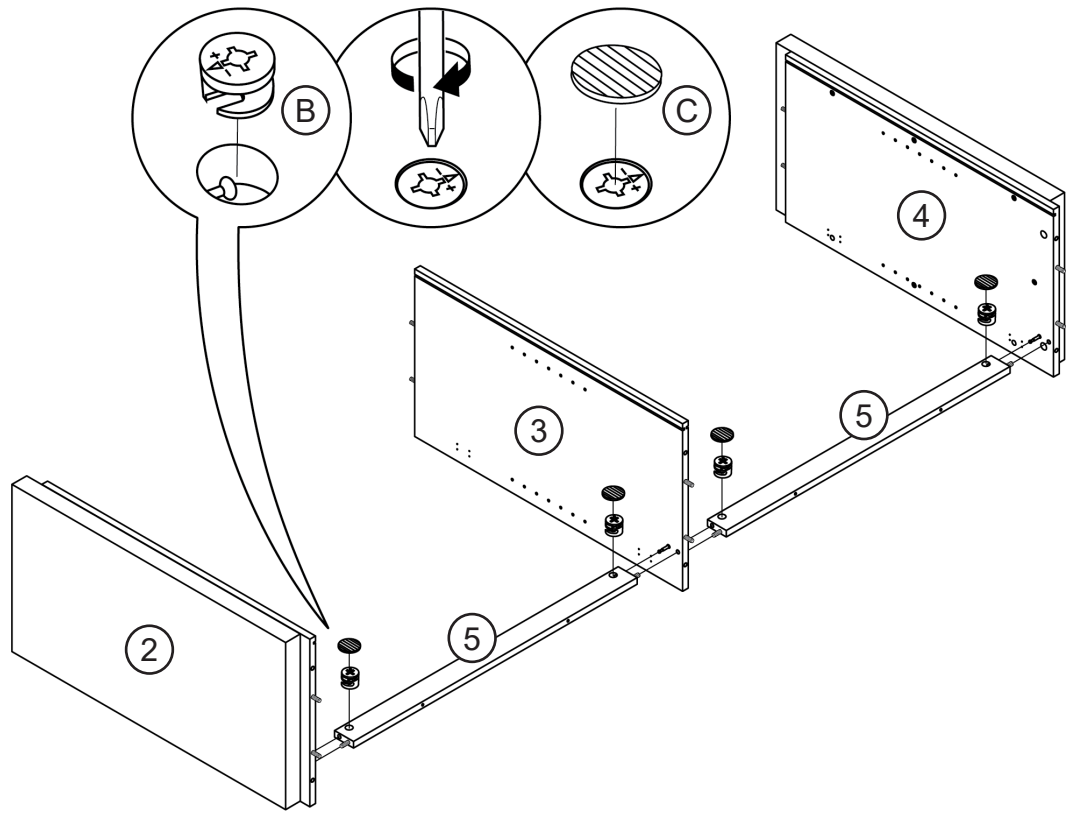
Assemble the top cross bars between the side panels and the median panel.



(B) 4x

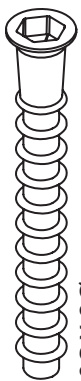


(C) 4x



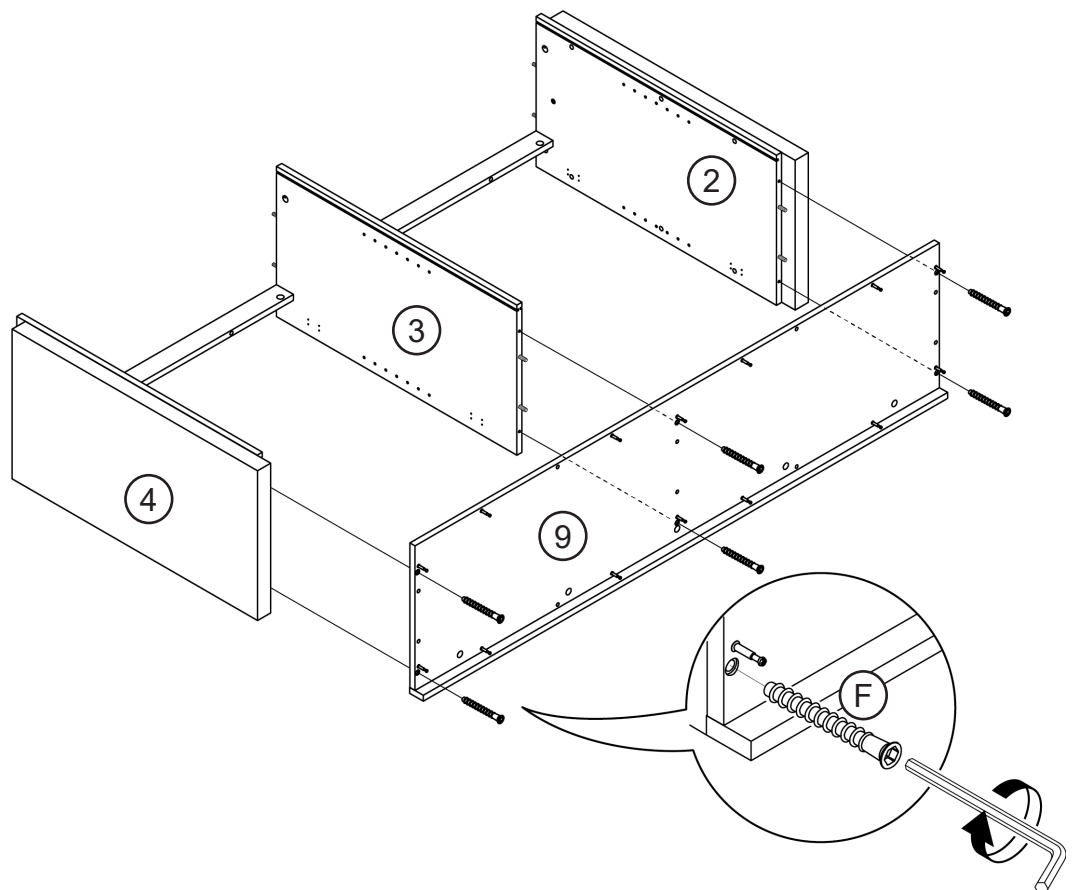
# 13

Attach the side and median panels to the base panel.



Ø6 x 50

(F) 6x

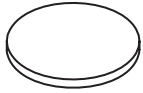


# 14

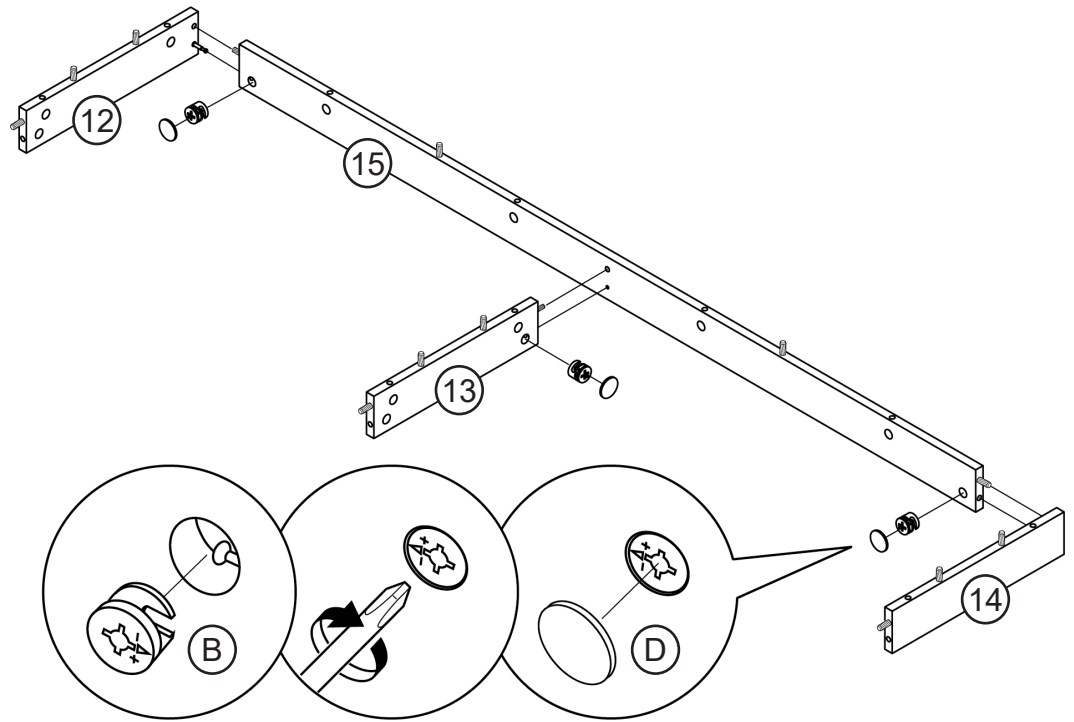
Attach the left, right and center legs to the back leg.



(B) 3x



(D) 3x

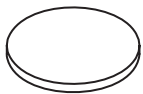


# 15

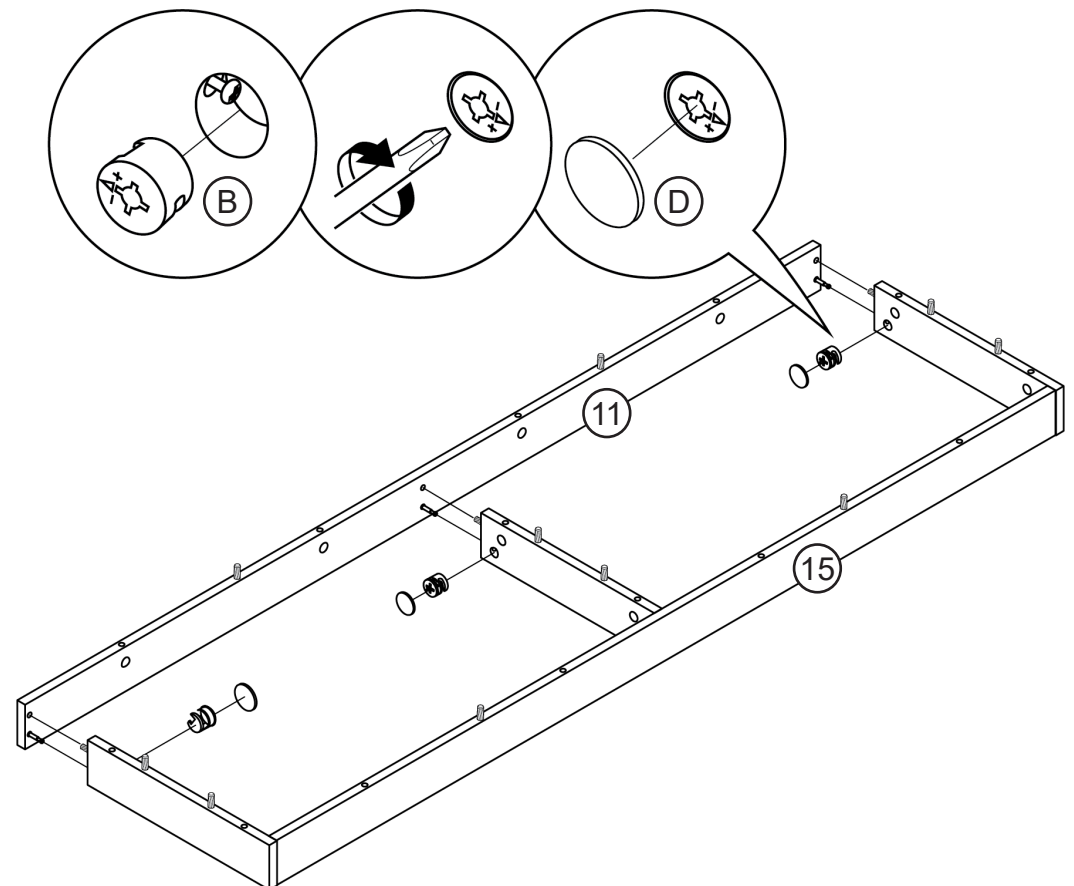
Attach the front leg to the leg assembly.



(B) 3x



(D) 3x



# 16

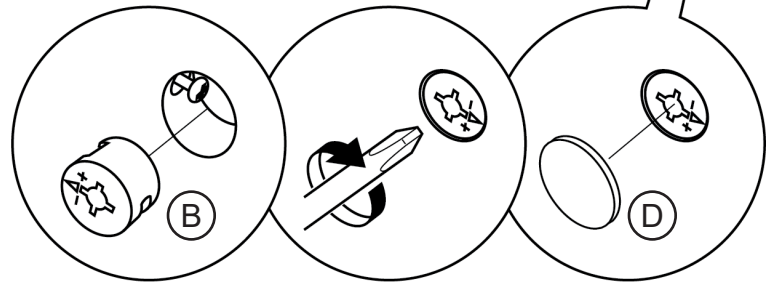
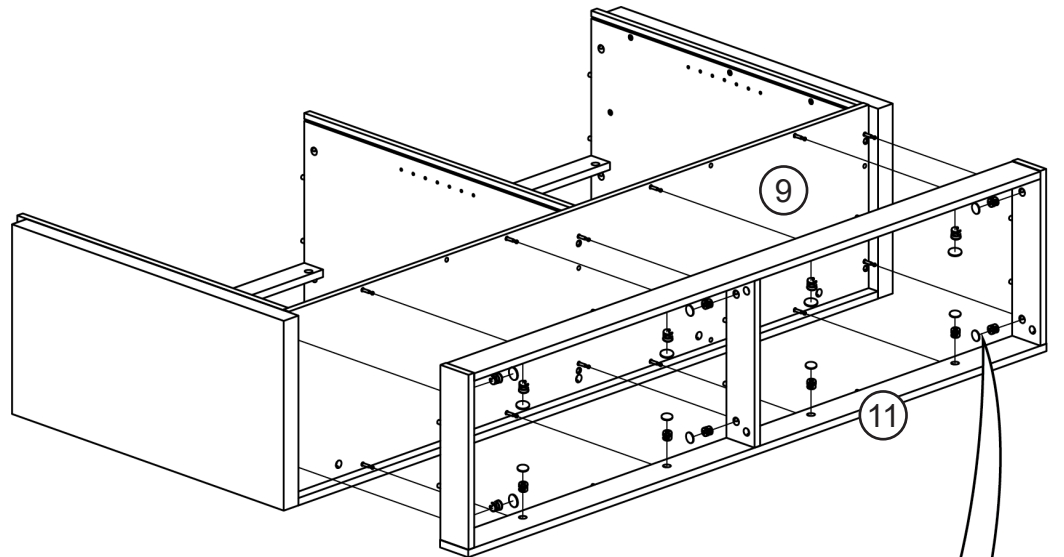
Attach the base panel to the legs.



(B) 14x



(D) 14x

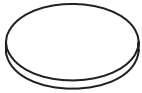


# 17

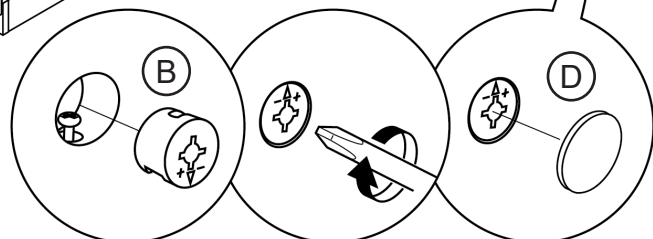
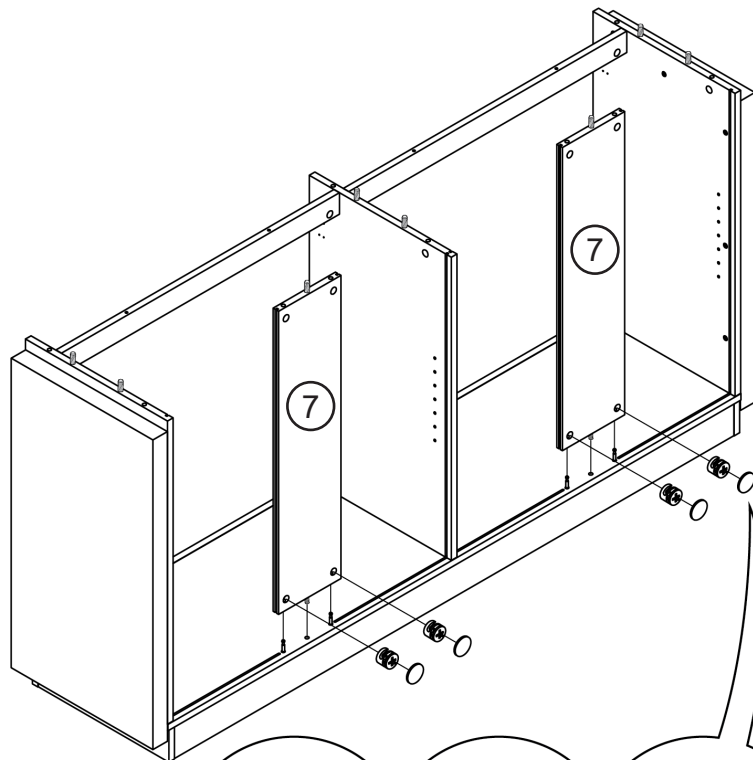
Attach back support panel to the bottom panel.



(B) 4x

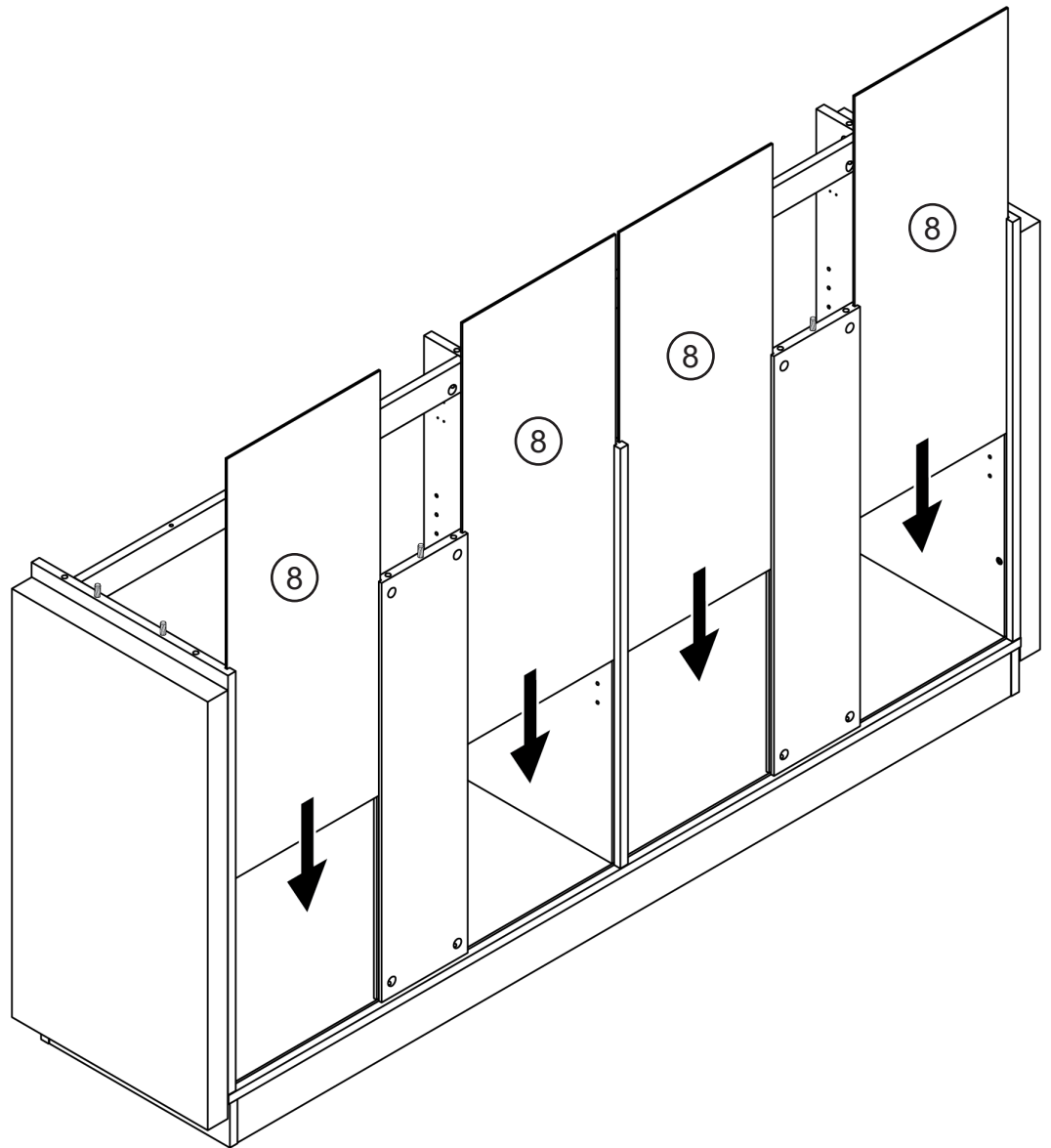


(D) 4x




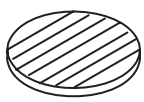
# 18

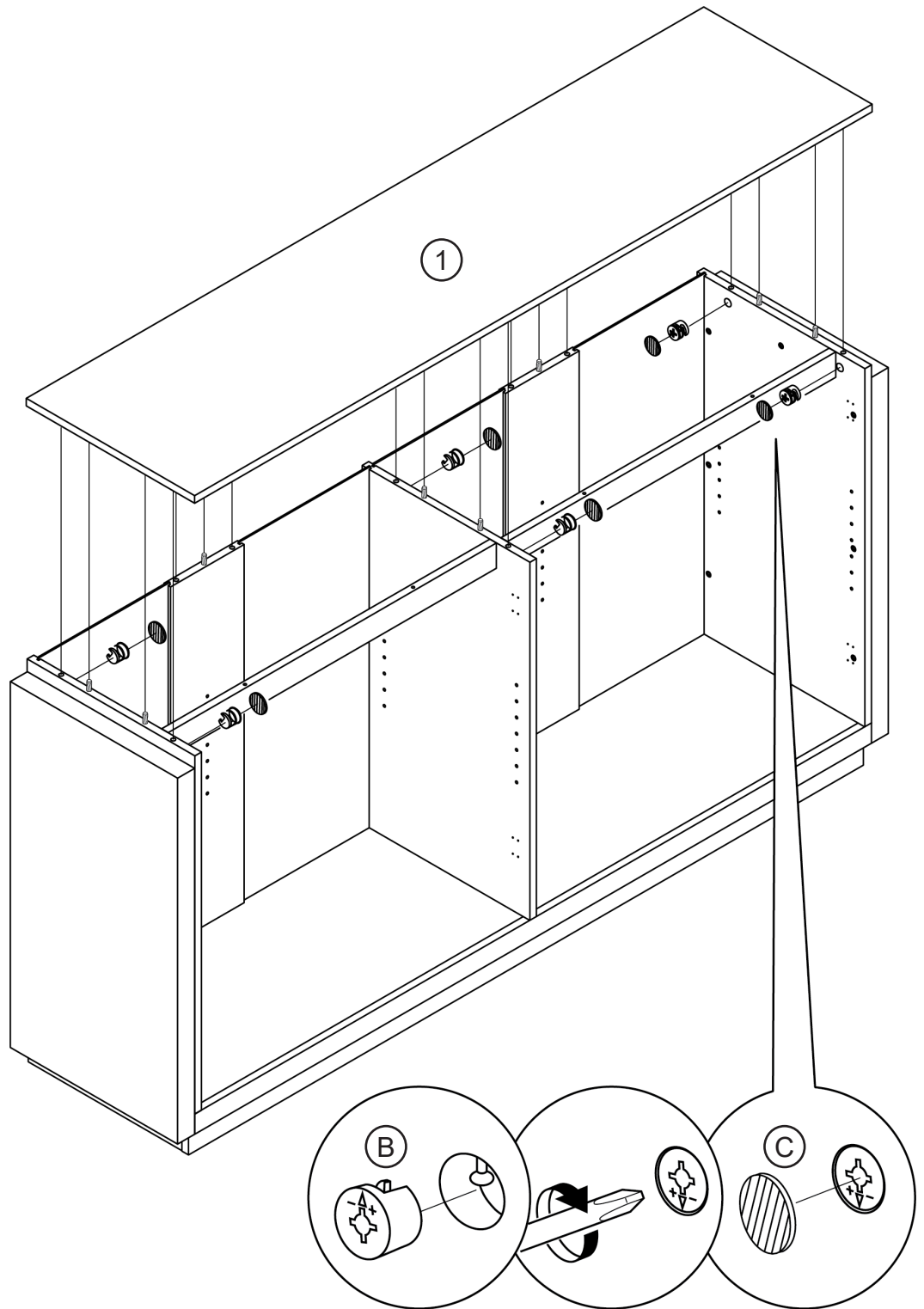
Slide the back panels to the assembly.



# 19

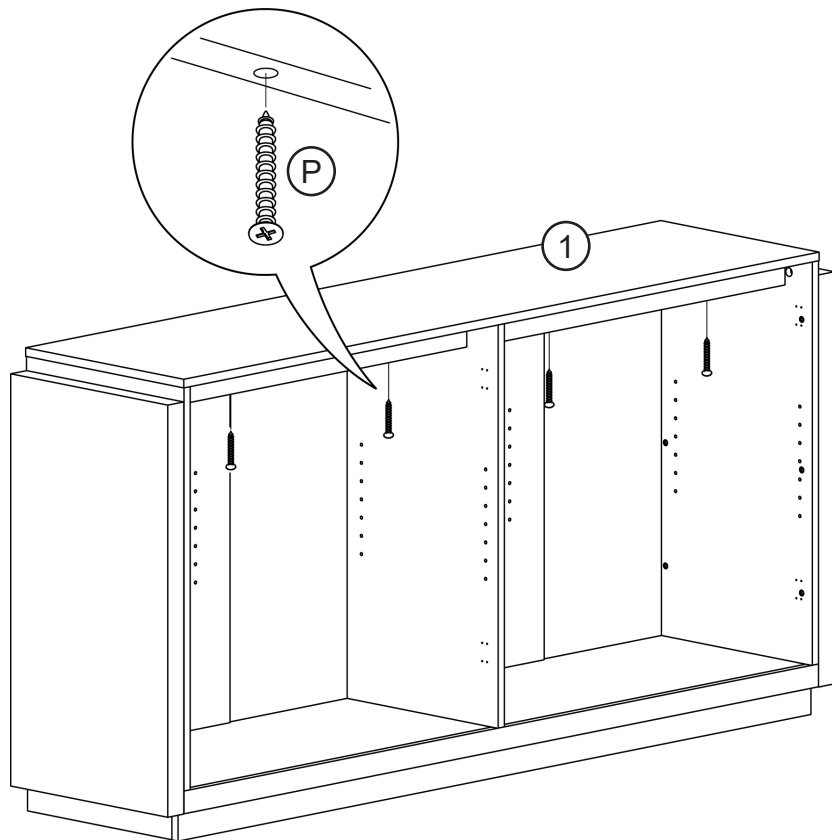
Attach the top panel onto the assembly.

-  **(B)** 6x
-  **(C)** 6x



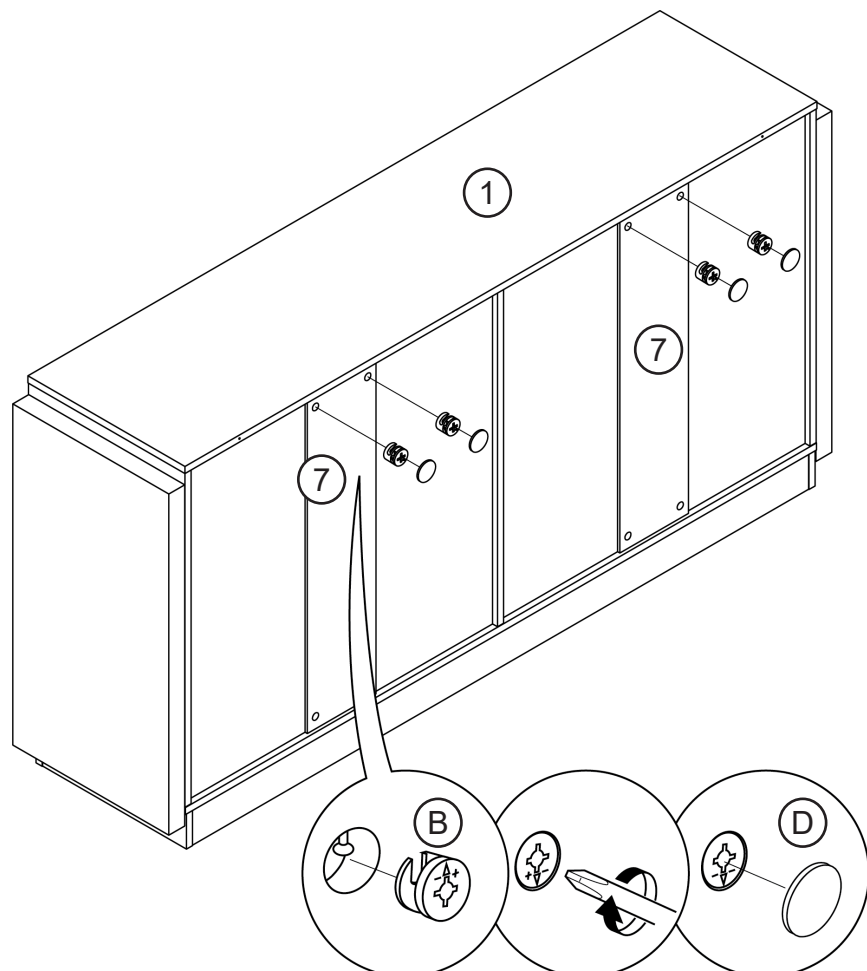
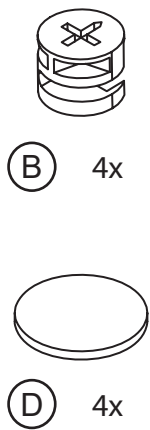
# 20

Secure the top panel to the top cross bars.



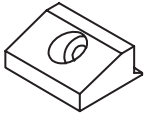
# 21

Secure the back support panel to the top panel.



# 22

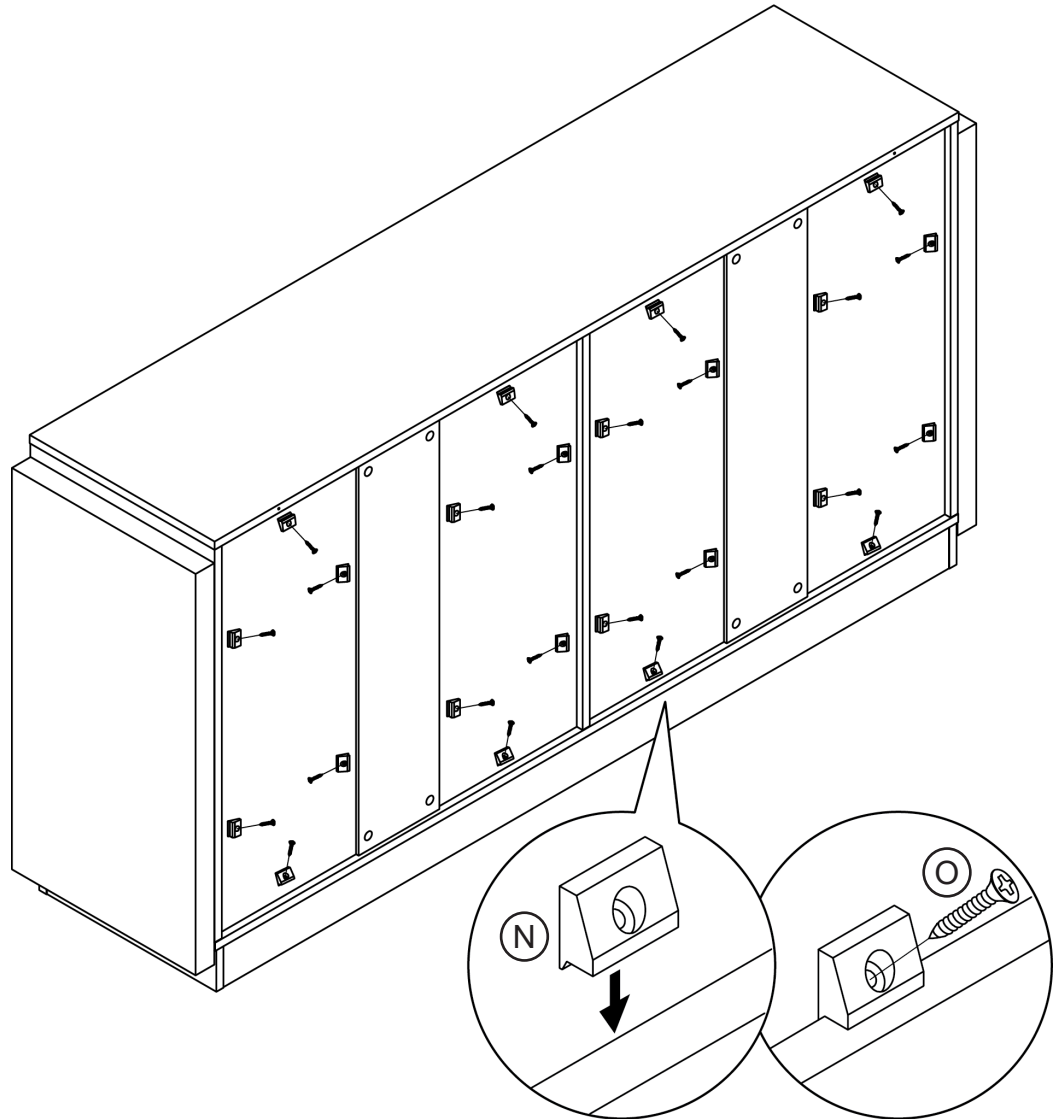
Secure the back panels to the sideboard.



(N) 24x

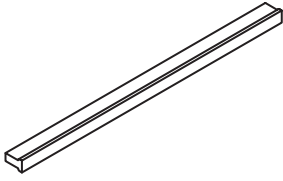


(O) 24x



# 23

Attach door handles on the cabinet doors.

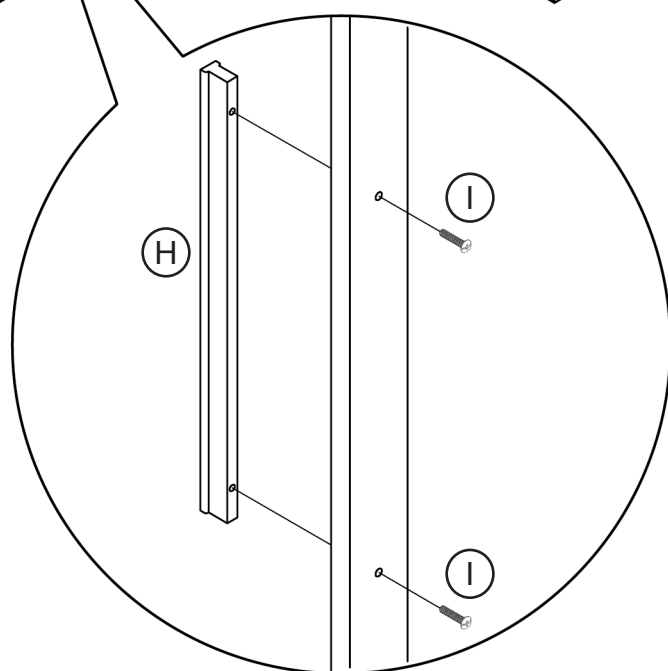
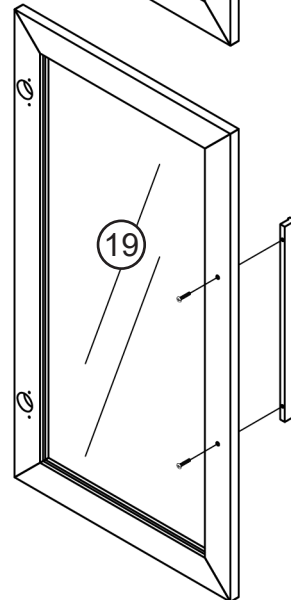
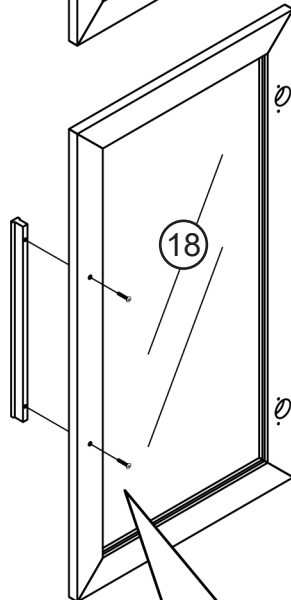
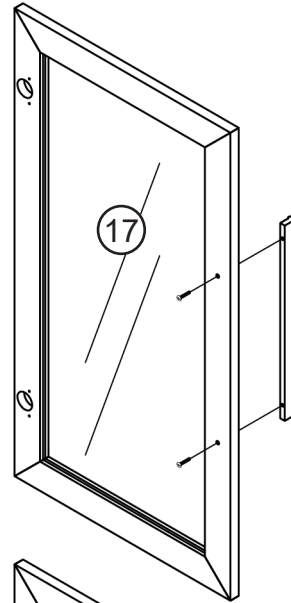
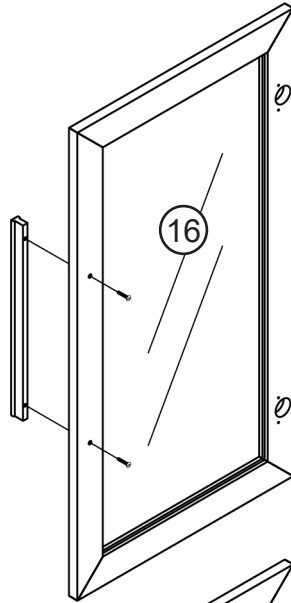


(H) 4x



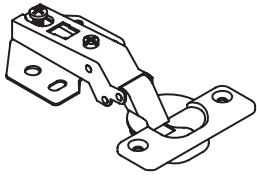
5/32" x 22

(I) 8x



# 24

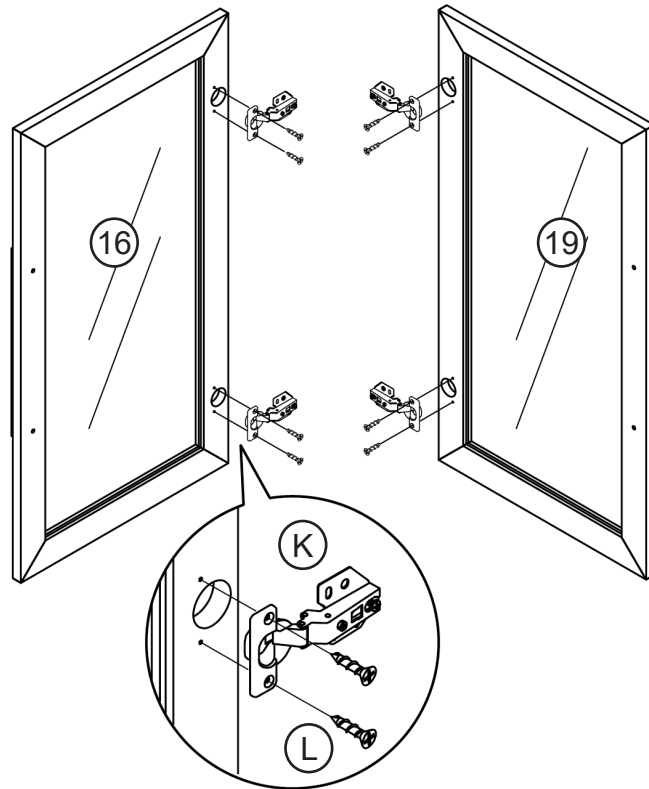
Attach door hinges to the cabinet door.



(K) 4x



(L) 8x  
Ø4 x 15



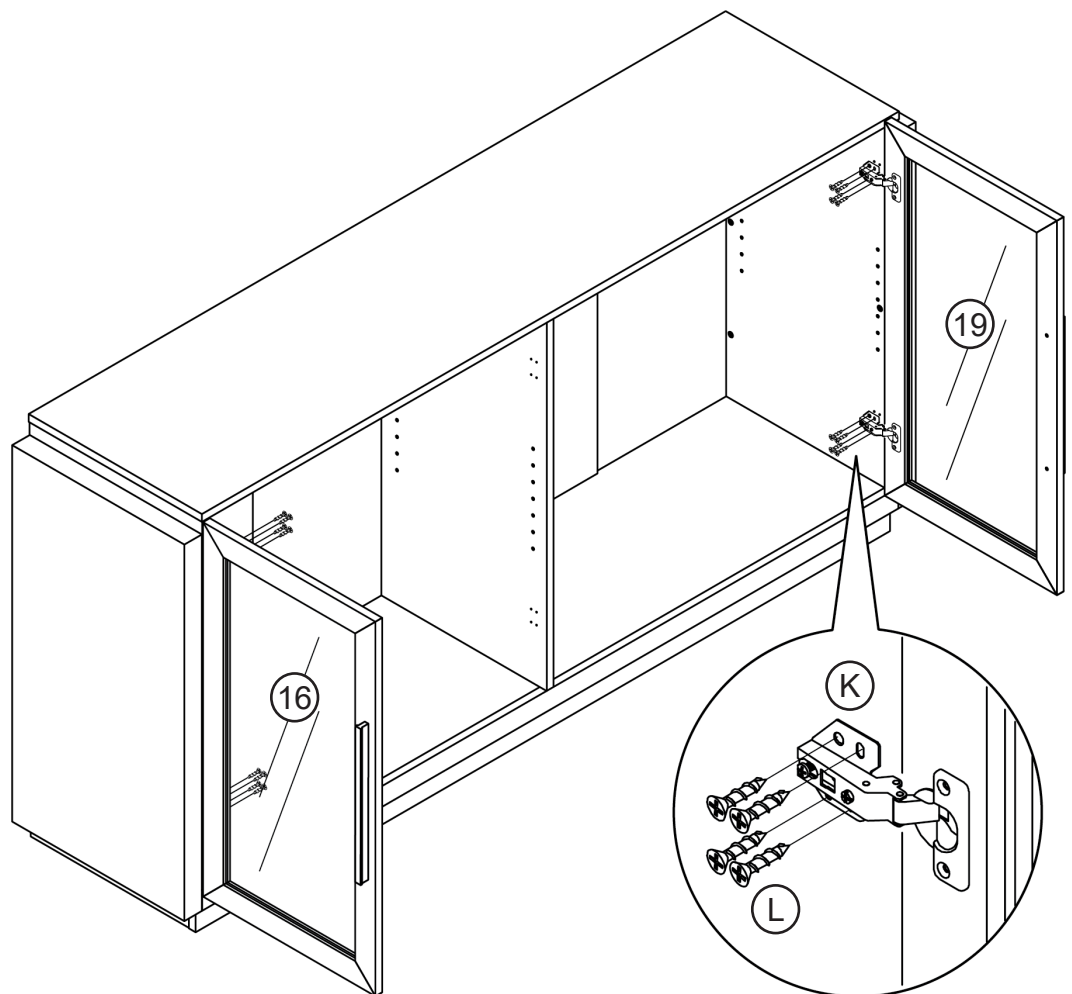
NOTE: Attach door hinge (K) instead of door hinge (J).

# 25

Attach cabinet doors to the side panels of the sideboard.

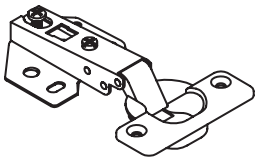


(L) 16x  
Ø4 x 15



# 26

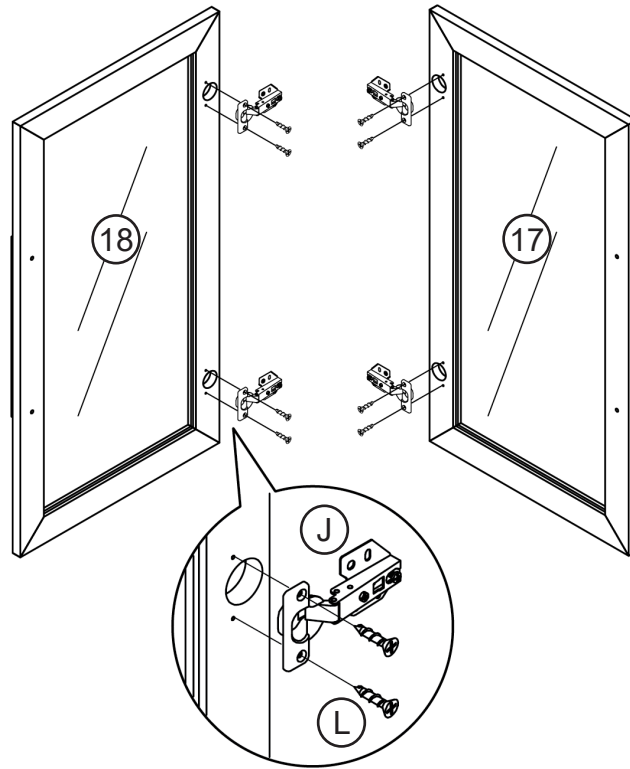
Attach door hinges to the cabinet doors.



(J) 4x



(L) 8x

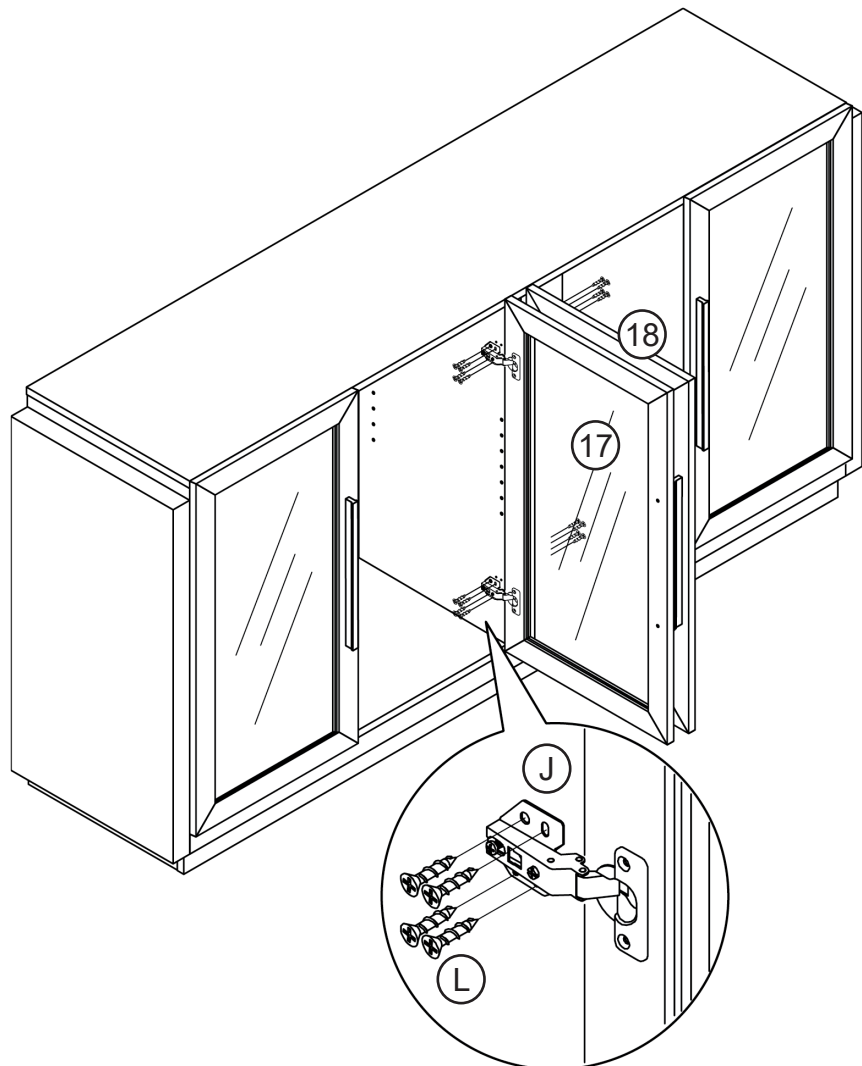


# 27

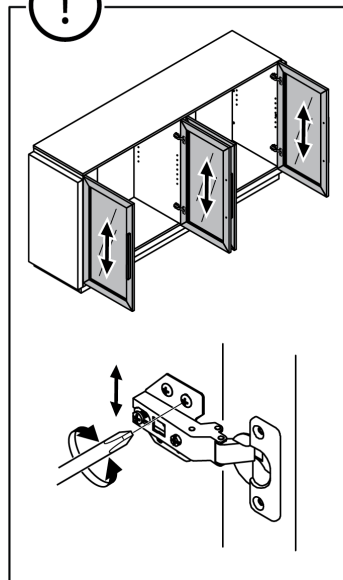
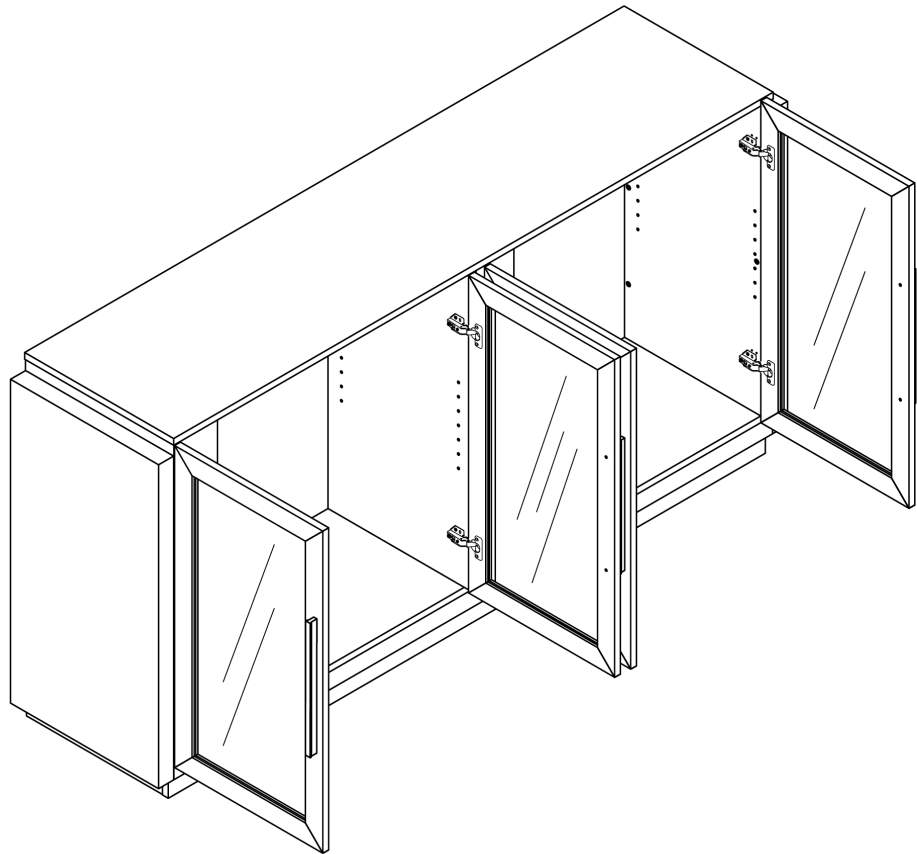
Attach cabinet doors to both sides of the median panel.



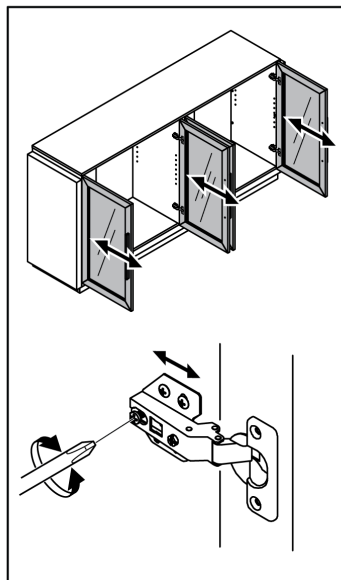
(L) 16x



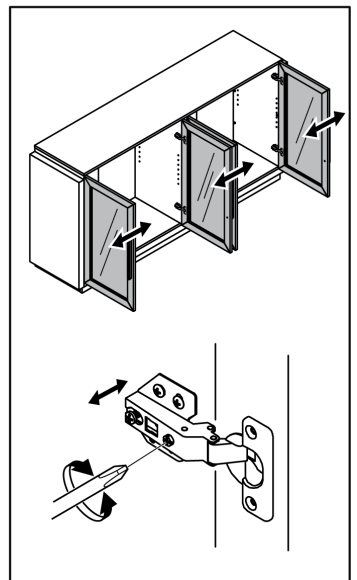
Adjust the position of the cabinet doors.



Up and down adjustment by loosening the screws on the mounting plate.



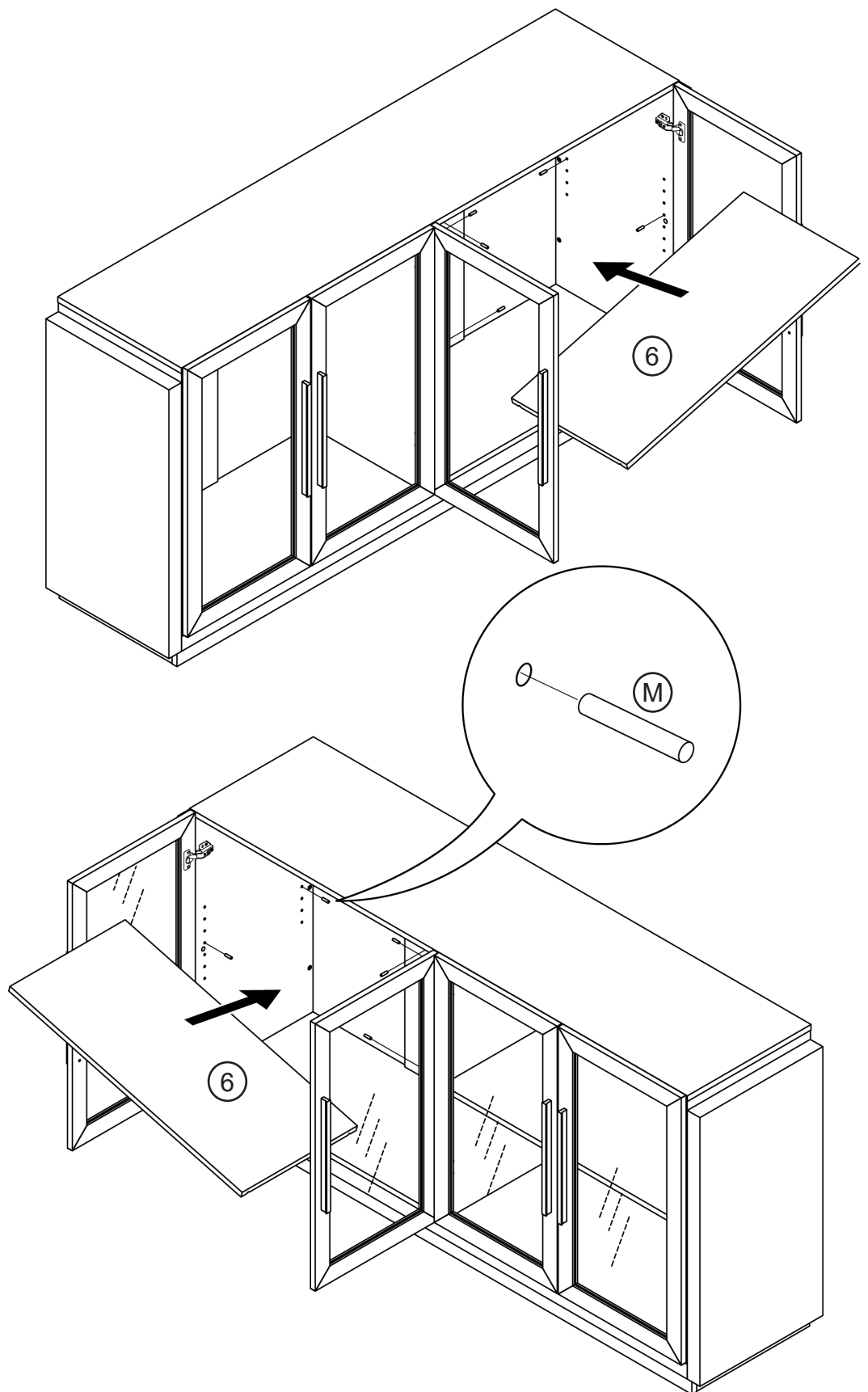
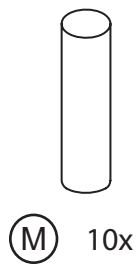
In and out adjustment by loosening the screws on the hinge arm.



Side to side adjustment using the front adjustment screw on the hinge.

# 29

Insert shelf pegs into the sideboard and put on the storage shelf panels.



# 30

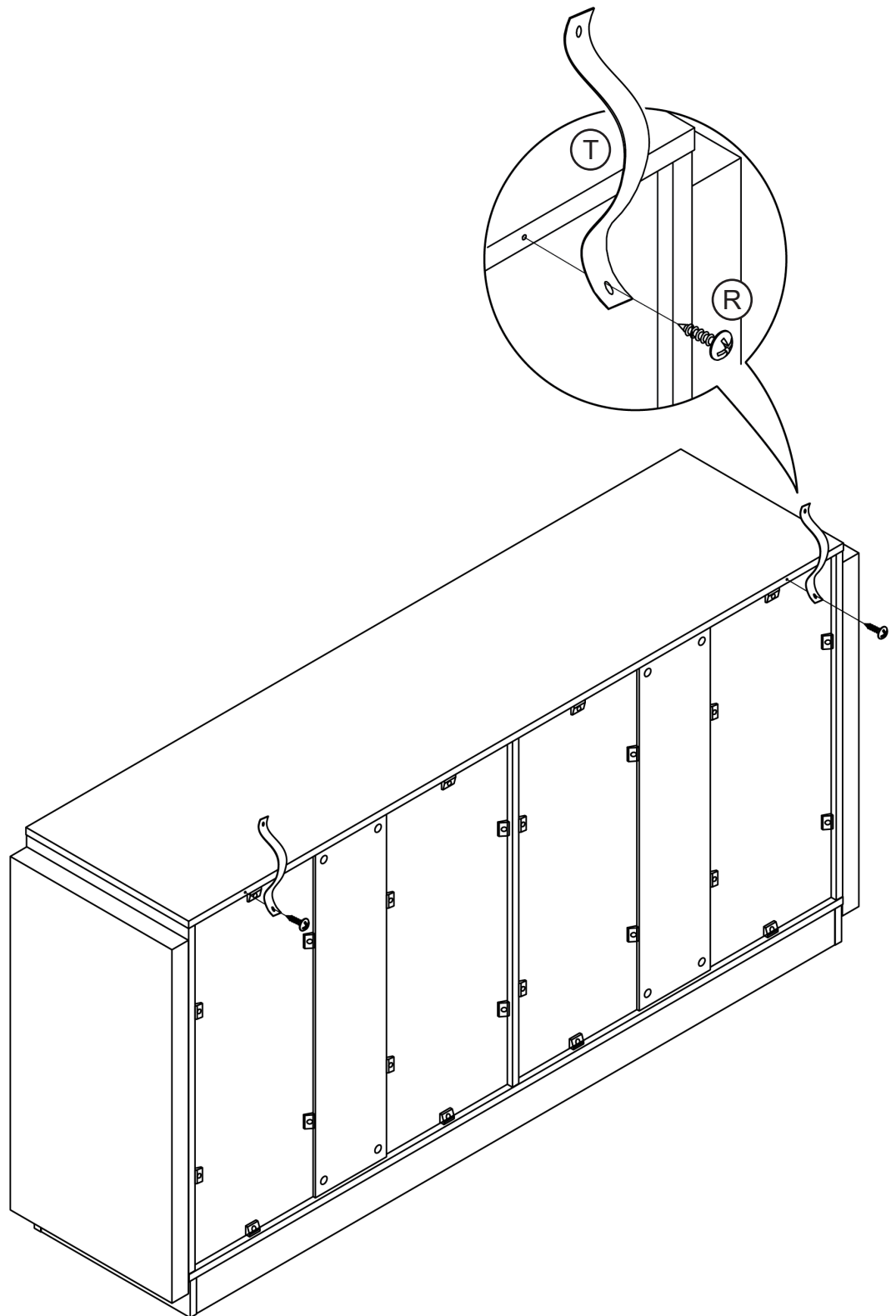
Attach anti-strap behind the side board.



(R) 2x



(T) 2x

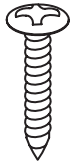


# 31

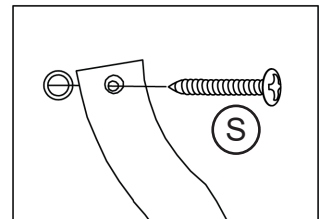
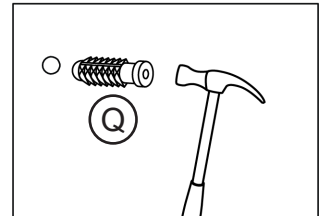
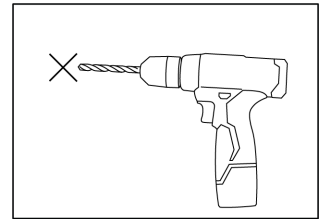
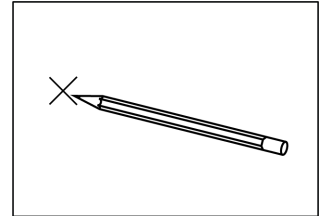
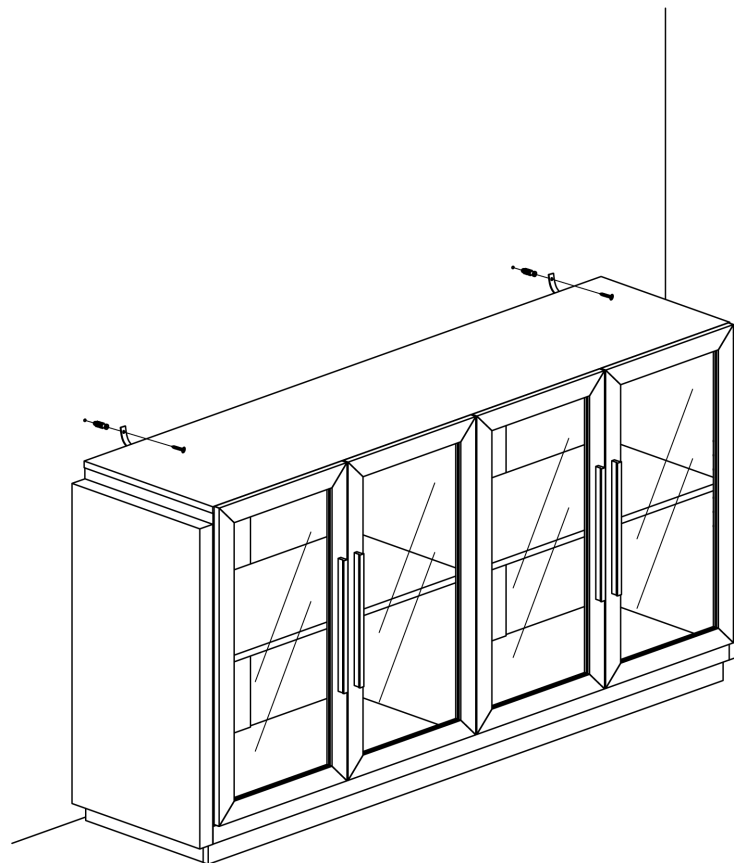
Affix the sideboard to the wall.



Q 2x



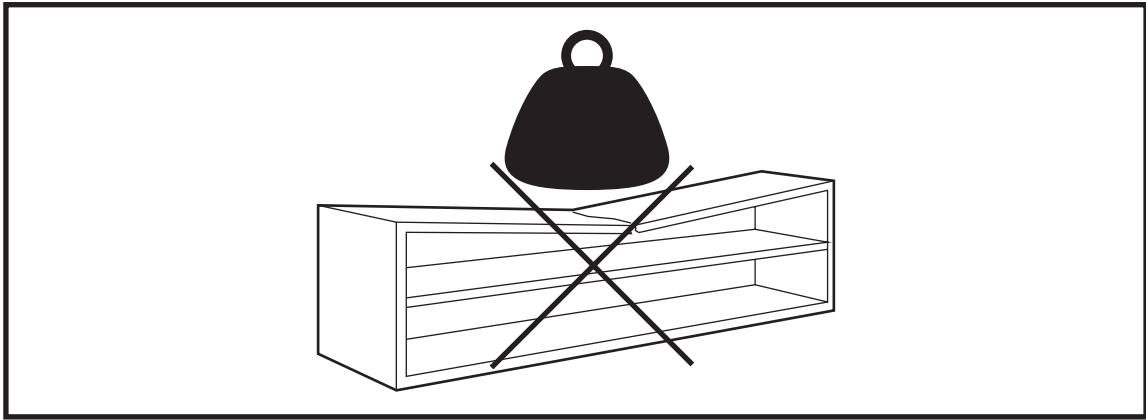
S 2x



Furniture must permanently fixed to the wall stud with included anti-tipping device to prevent the furniture from tipping over.

- Mark the drill position on the wall with a pencil.
- Drill a small hole on the marked position.
- Insert a wall anchor into the drilled hole.
- Fixed the anti-tipping strap to the wall with provided screws.

## YOU'RE FINISHED!

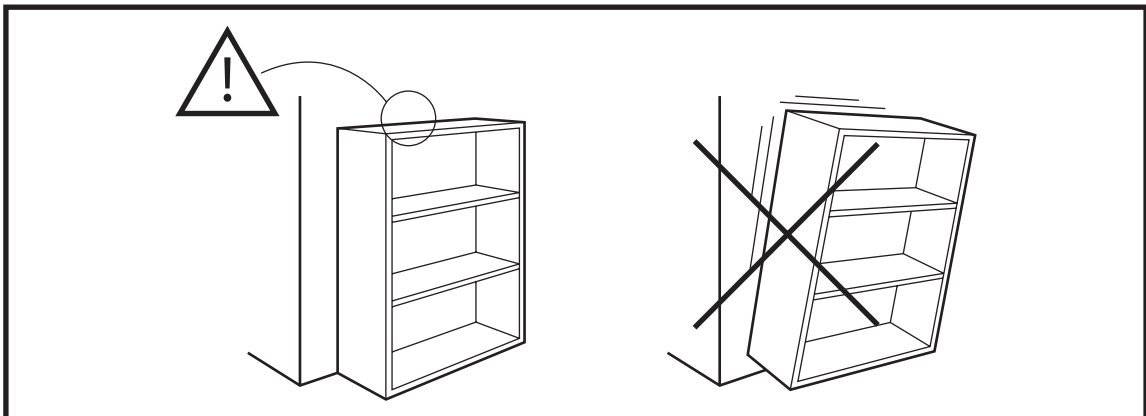


## Warning

Only place items on top of the product if they meet the recommended size and weight limits.

Climbing on, stepping on, or placing overweighted objects on the product may cause property damage and/or injuries.

Items placed onto this product must be resting on a support surface without hanging over the edges.



## Warning

Serious or fatal crushing injuries may occur if the furniture tip-over. Furniture must permanently affixed to the wall with included anti-tipping device in order to prevent the furniture from tipping over.

Different wall materials requires different types of wall anchors or screws. Use a suitable wall anchors or screws for your specific wall in order to secure the stability and load bearing capacity of the furniture. If you are uncertain about which type of device to use, please contact us or your local hardware store.

## FURNITURE CARE AND MAINTENANCE

### Medium - Density Fiberboard

Thank you for your purchase. We want your item to last as long as possible. To ensure the product gives you years of longevity, please follow the recommendations in this care and maintenance guide.



#### MAINTENANCE

- Tighten all bolts and screws again within the first 2 weeks of assembly.
- Check the tightness of all bolts every 2 months and tighten them if necessary.



#### CLEANING

- Clean the surface of the MDF (medium - density fiberboard) with a lightly dampened cloth.
- A small amount of mild soap can be used if necessary.
- Dry the surface immediately after cleaning.

⚠ DO NOT use bleach or alcohol to clean the surface.

⚠ DO NOT apply wood treatment on parts made with MDF.

MDF will swell and distort when exposed to water damage. Make sure to dry the furniture immediately after cleaning.

### ⚠ WARNING

The manufacturer and seller are not responsible for any and all liability relating to personal injury, property damage or losses, whether direct, indirect, or incidental, resulting from the incorrect attachment, improper use, inadequate maintenance, unapproved modification or neglect of this product.