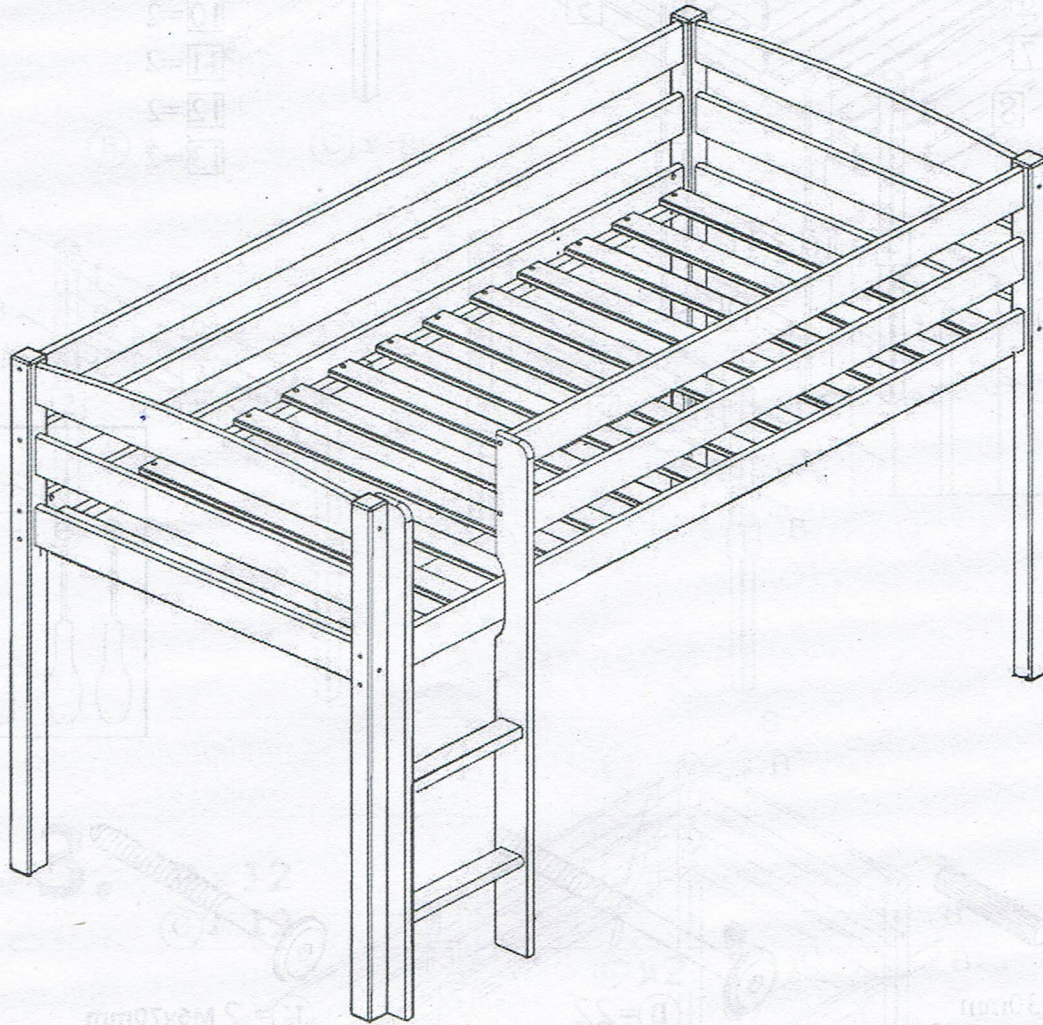
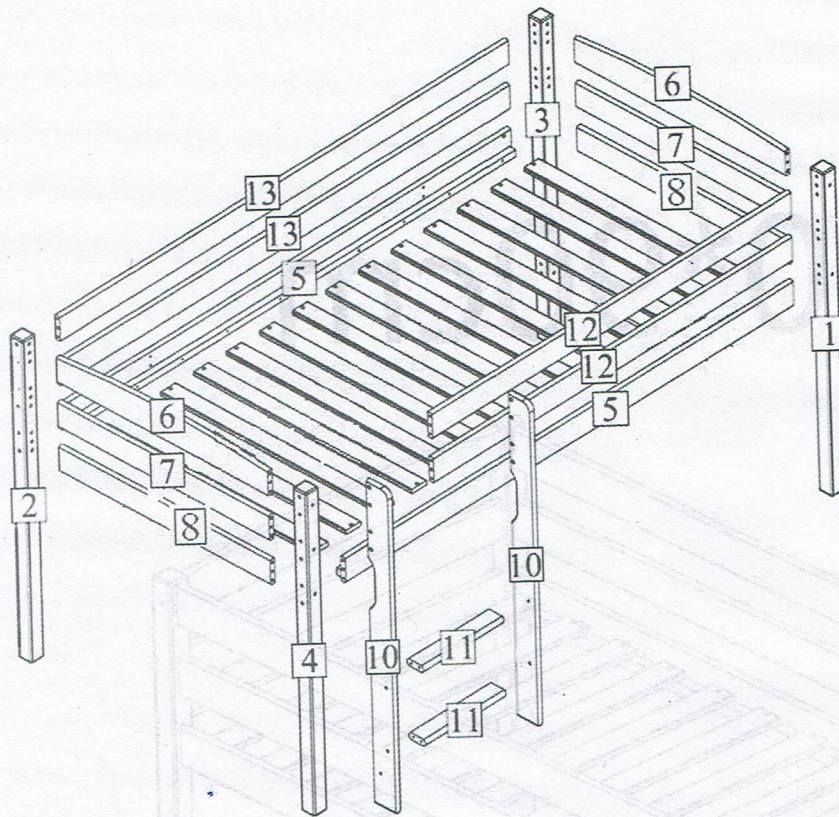
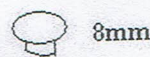
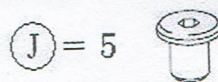
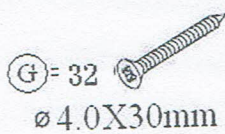
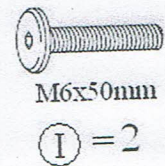
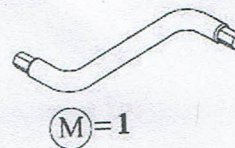
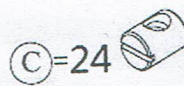
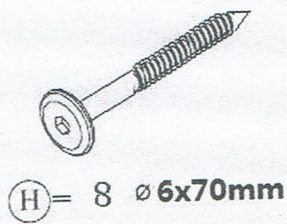
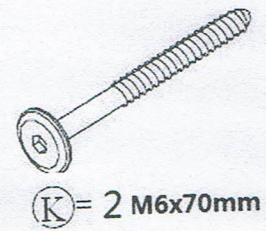
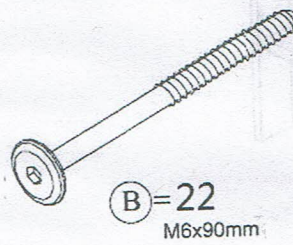
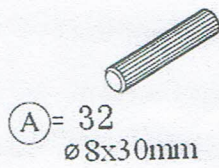
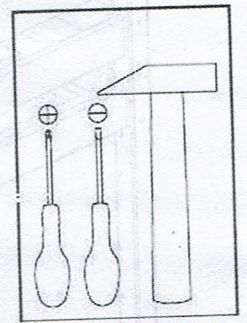


200*90cm

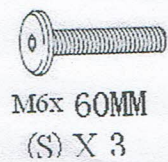




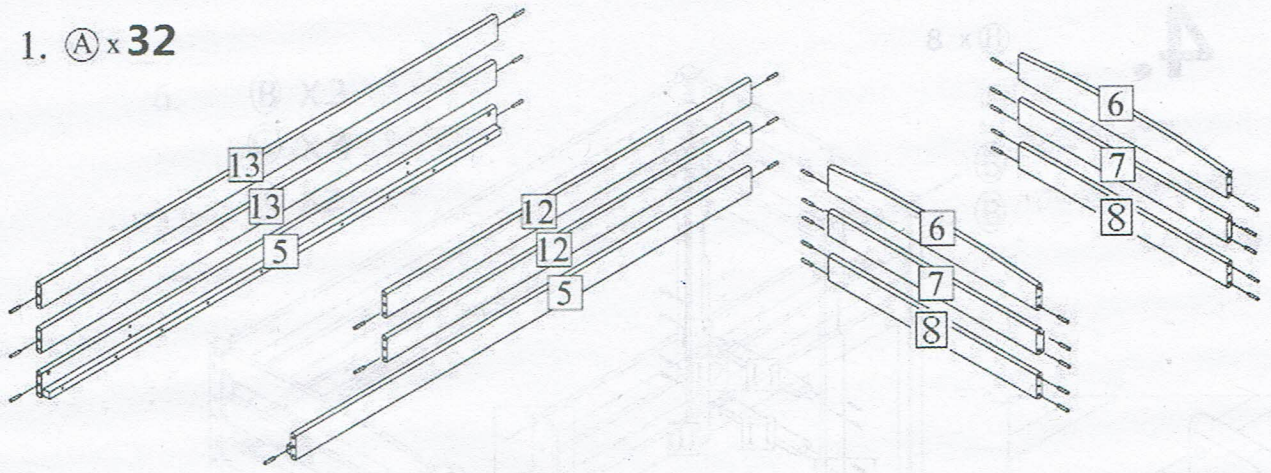
- 1=1
- 2=1
- 3=1
- 4=1
- 5=2
- 6=2
- 7=2
- 8=2
- 10=2
- 11=2
- 12=2
- 13=2



R X 14



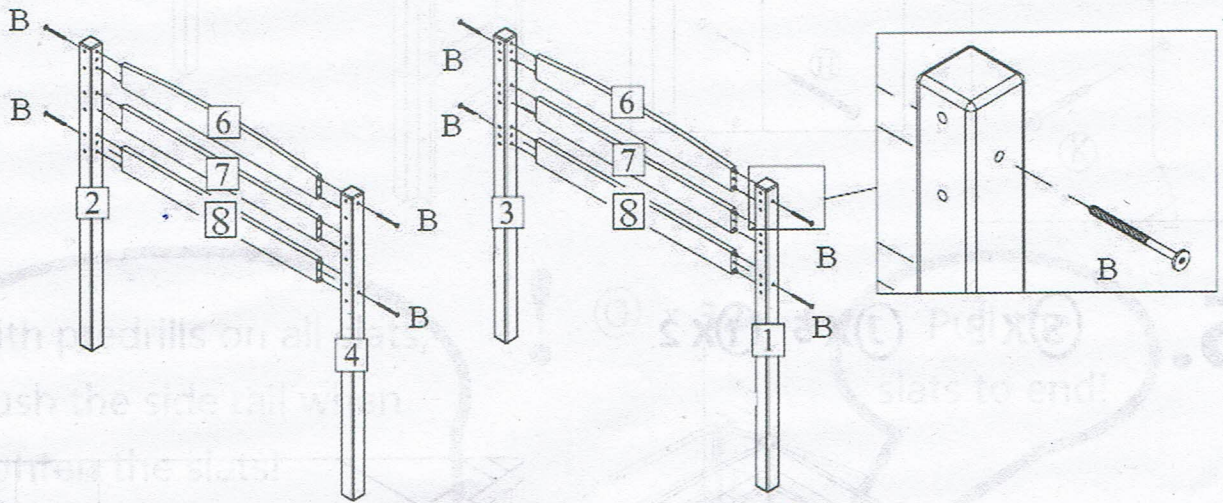
1. (A) x 32



2.

(B) x 8

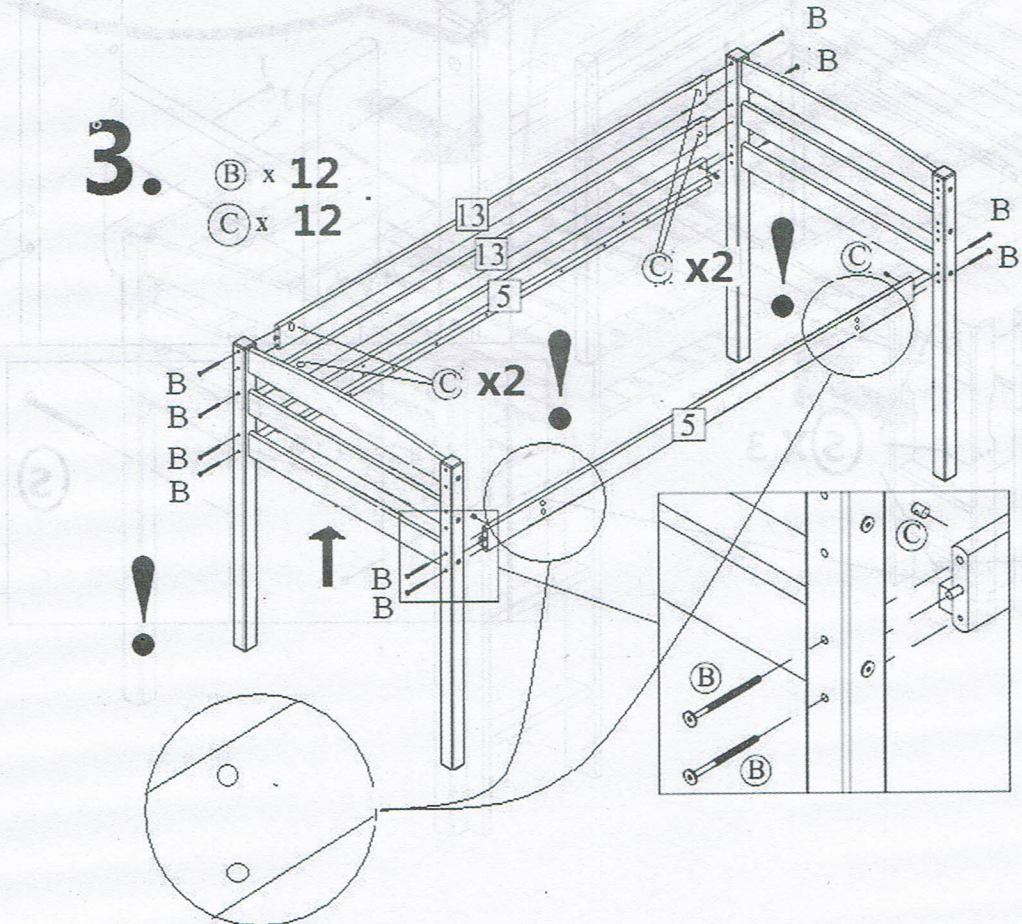
(C) x 8



3.

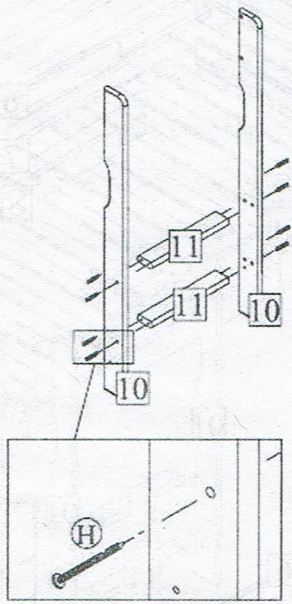
(B) x 12

(C) x 12



4.

Ⓜ x 8

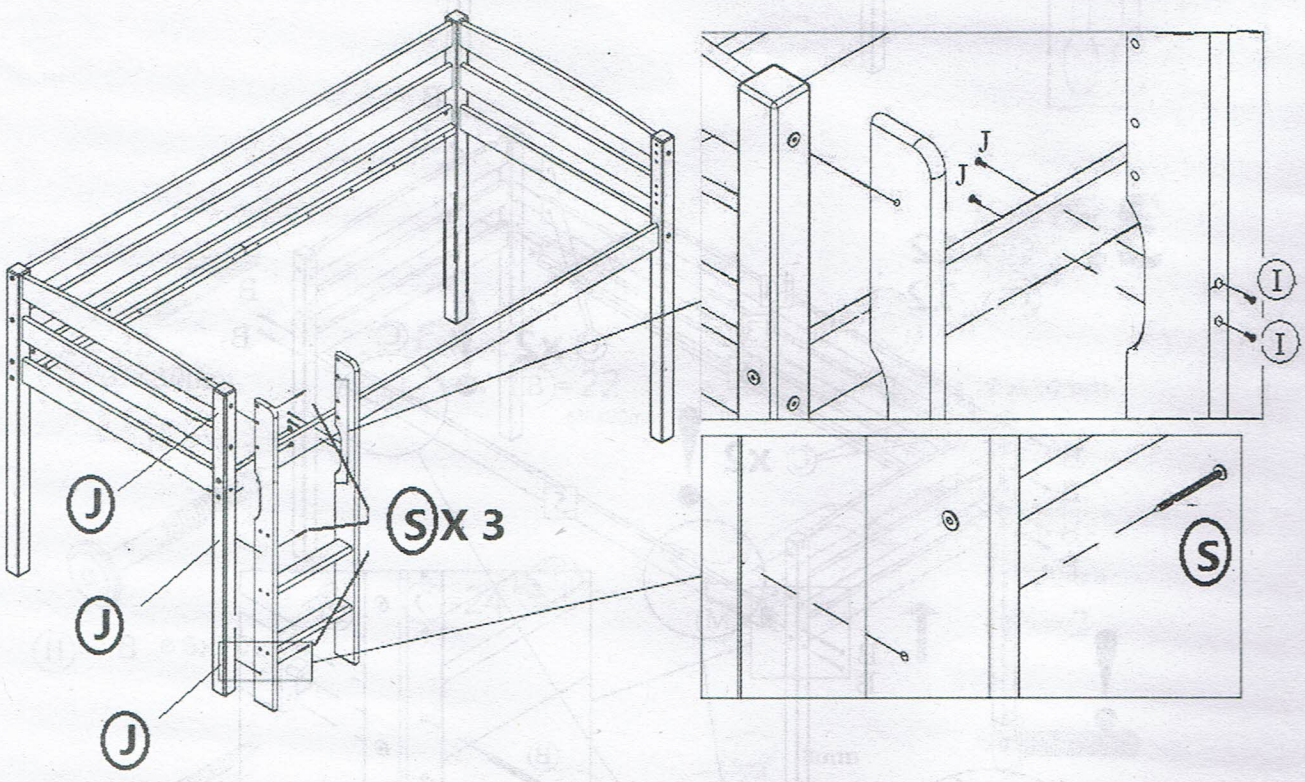


5.

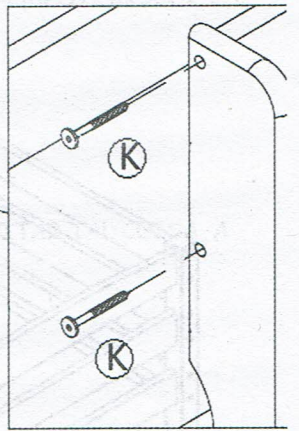
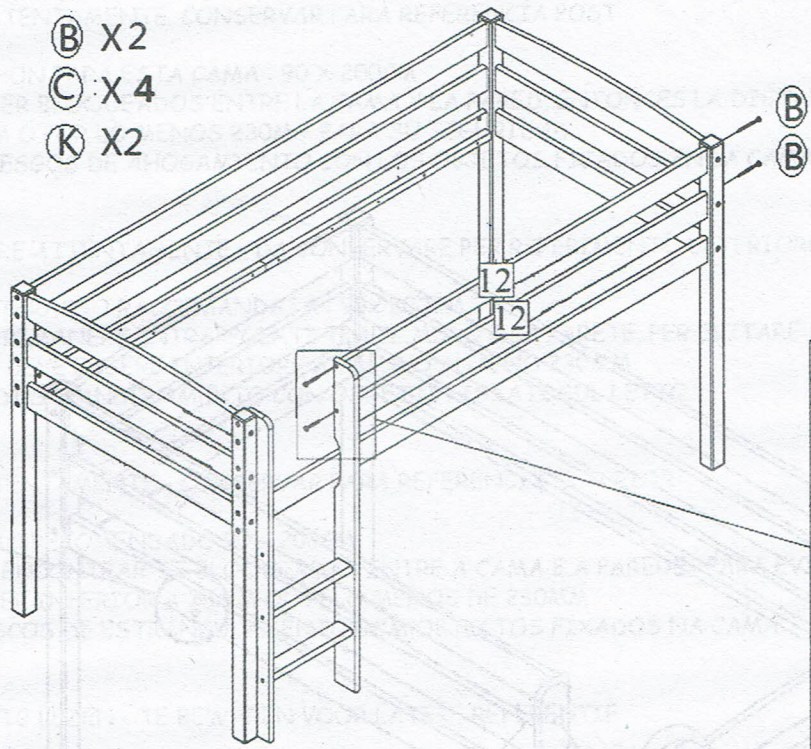
Ⓢ x 3

Ⓝ x 5

Ⓡ x 2



6. (B) X2
 (C) X4
 (K) X2

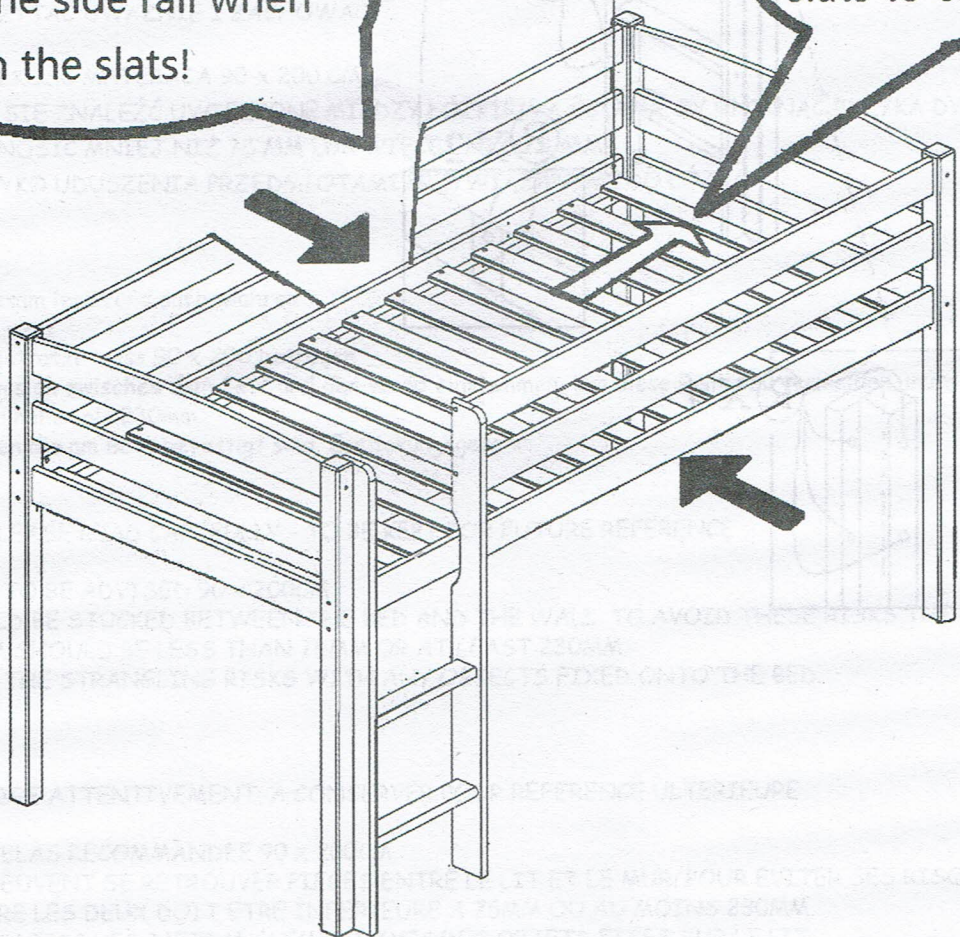


with predrills on all slats,
 push the side rail when
 tighten the slats!

! (G) x 32 !

Pull the
 slats to end!

7.



8.

