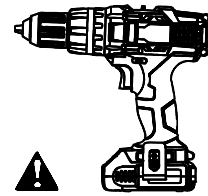
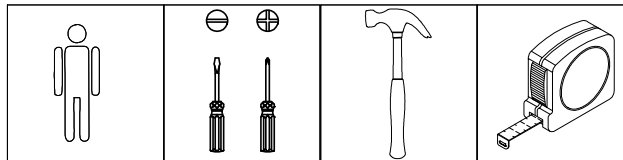


ASSEMBLY INSTRUCTIONS

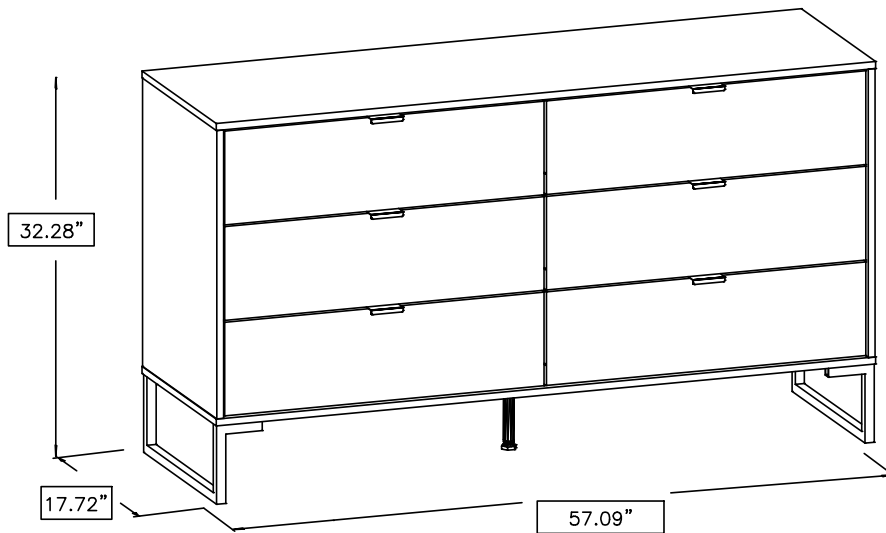
01/21



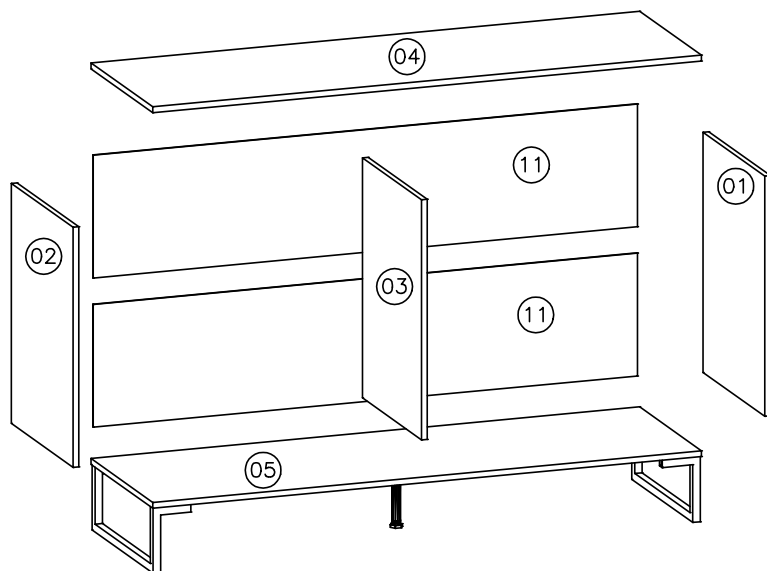
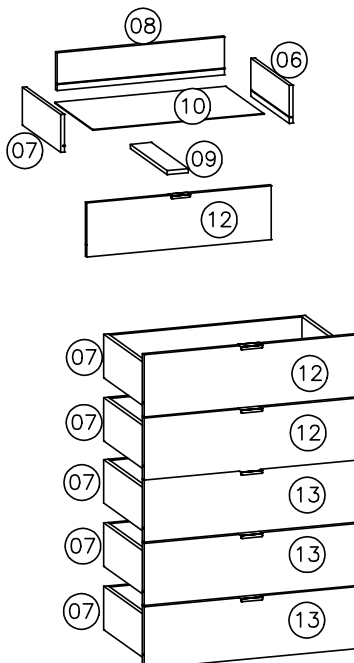
Warning –
CHOKING HAZARD – Small Parts Not for children under 3 years. Adult assembly required.



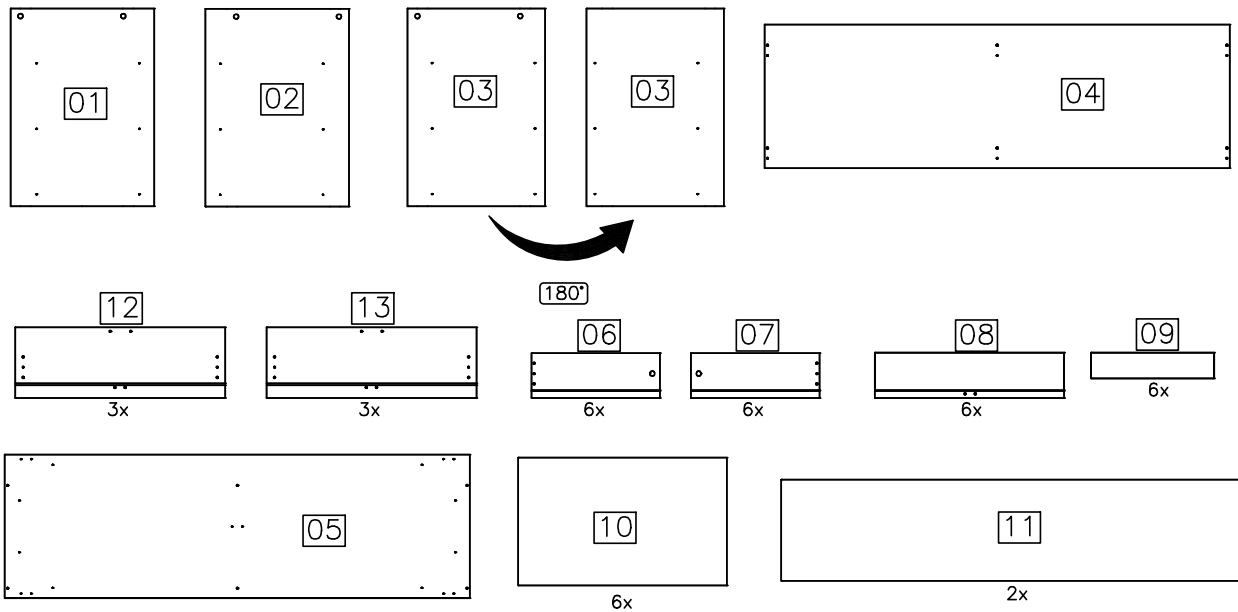
Although not required, it is recommended that a drill be used to help ease the assembly process, as some holes are not pre-drilled.



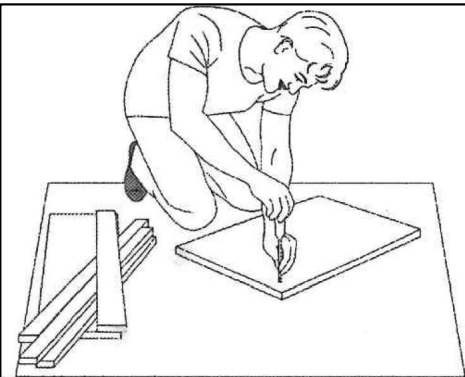
Part Identification

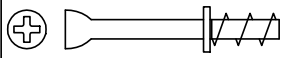
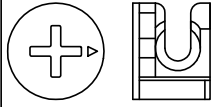

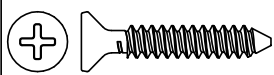


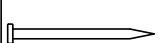
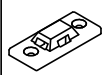

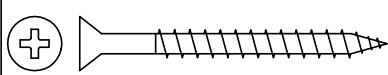
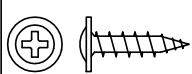
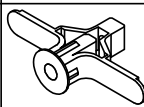


List of pieces							
Code	Description	Descrição (Internal production data)	Amount	Length (in.)	Width (in.)	Thickness (in.)	Box
01	Right side panel	Lateral direita	1	24.25"	17.60"	.59"	B
02	Left side panel	Lateral esquerda	1	24.25"	17.60"	.59"	B
03	Divider	Divisória	1	24.25"	16.85"	.59"	B
04	Top	Tampo	1	56.97"	17.60"	.59"	A
05	Bottom/Base	Base	1	56.97"	17.60"	.59"	B
06	Right Side of Drawer	Lateral de gaveta direita	6	15.75"	5.51"	.59"	B
07	Left Side of Drawer	Lateral de gaveta esquerda	6	15.75"	5.51"	.59"	B
08	Back of Drawer	Cabeceira de gaveta	6	25.39"	5.51"	.59"	B
09	Drawer Support	Sarrafo de gaveta	6	15.12"	3.15"	.59"	B
10	Base of Drawer	Fundo de gaveta	6	25.55"	15.67"	.12"	A
11	Back Panel	Costa	2	56.50"	12.40"	.12"	B
12	Drawer front right	Frente de gaveta direita	3	27.60"	7.83"	.59"	A
13	Left front drawer	Frente de gaveta esquerda	3	27.60"	7.83"	.59"	A

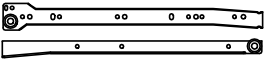
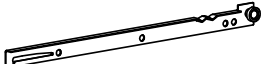
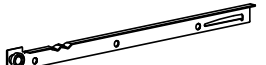
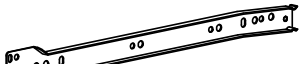

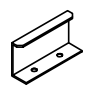
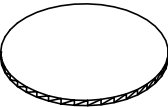
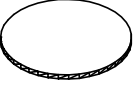
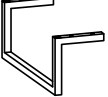
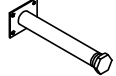

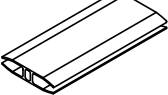


We Recommend you use the Box that your furniture came in as the base for your work space. This can help prevent and unnecessary damages from occurring.



Hardware			
	Code	Description	Amou.
PM	30945	 Cam Screws	18
TM	30950	 Cam Locks	18
PE15	58787	 Screw 5x50	18
PC16	9615	 Screw 5,0X30	8
C1	1802	 Dowel 6x30mm	84
PC3	4214	 Screw 3,5x14	64
PR1	107	 Nail 10x10	41
Anti-tipping installation			
<p>Warning: For Measures of Safety, it is recommended that this item be fixed to the wall, to avoid overturning, if this happens it can cause serious or fatal injuries.</p> <p>ATENCIÓN: Por medidas de seguridad se recomienda fijar el mueble a la pared para evitar Volcamiento del mismo, si esto llegase a ocurrir puede causar lesiones graves o fatales.</p>			
SF	55606	 Mounting bracket	2
ANY	55607	 Clamp	1
PC10	51980	 Screw 4,5x50	2
PF4	1178	 Screw 3,5x16 BC	2
BG	32069	 Adapter sleeve	2



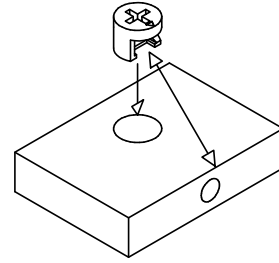
CM4			400mm metal slide set	6
CM4A			Right Drawer slide	
CM4B	5288		Left drawer slide	
CM4C			Metallic slide for left sided panel	
CM4D			Metallic slide for right sided panel	
PX	BR=59291 (Branco) EBPR1=59292 (Preto) ITAR1=59294 (Off White)		Handle 70mm	6
TP1	BR=44156 (Branco K1) EBPR1=50493 (Ebano Grigio) ITAR1=40392 (Itapuã)		Screw cap cover 19mm	18
TP2	BR=44157 (Branco K1) EBPR1=09399 (Ebano Grigio) ITAR1=40391 (Itapuã)		Screw cap cover 13mm	18
P1	BR=55387 (Branco Fosco) EBPR1=55389 (Preto Fosco) ITAR1=55388 (Off White)		Metal foot tube	2
P2	BR=43447 (Branco Fosco) EBPR1=47696 (Preto fosco) ITAR1=55303 (Off White)		Central foot	1
CZ3	58788		Allen key	1
PH	55650 (Bege)		Finishing profile	2



Helpful Tips

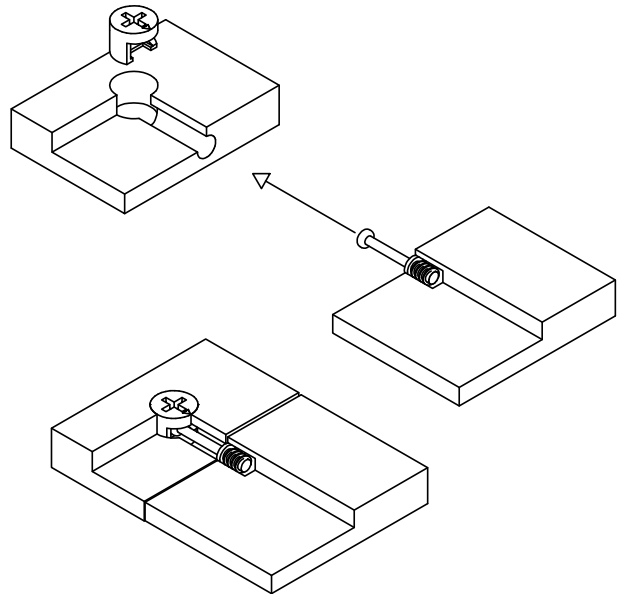
INSTALLING CAM

Identify arrow on dead of cam. Arrow **MUST** point toward hole in edge of panel. Push cam all the way down into hole.



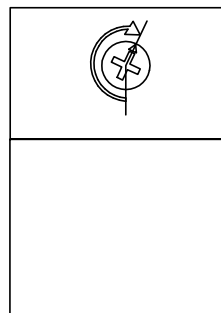
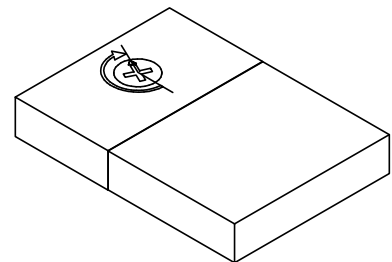
CAM AND DOWEL ALIGNMENT

Assure cam arrow points toward hole and insert cam dowel into hole. Make sure pieces join together.



TIGHTENING CAM

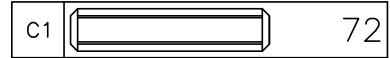
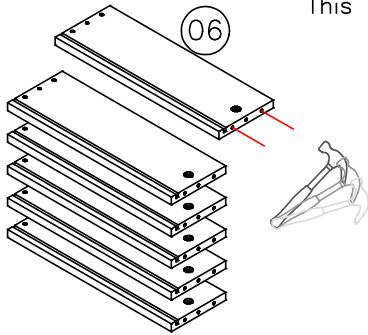
Use screwdriver to turn cam. Turn cam (clockwise) until fully tightened. Slightly more than half a turn.



1A

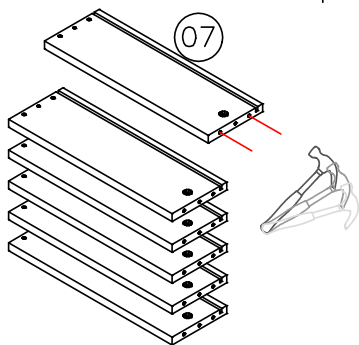
Drawer Preassembly

This process is repeated six times (x6)



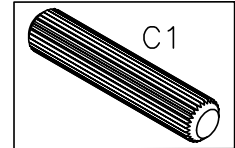
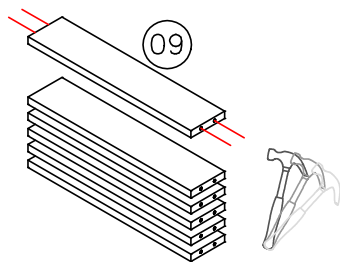
1B

This process is repeated six times (x6)



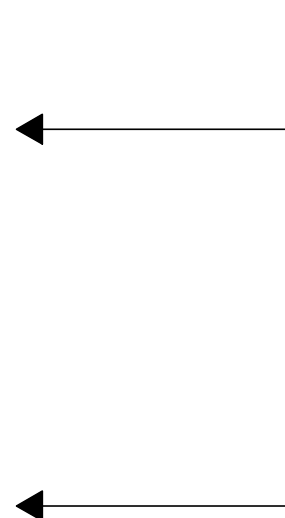
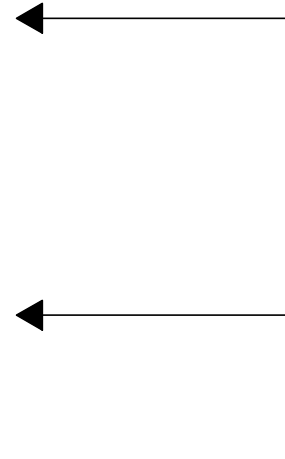
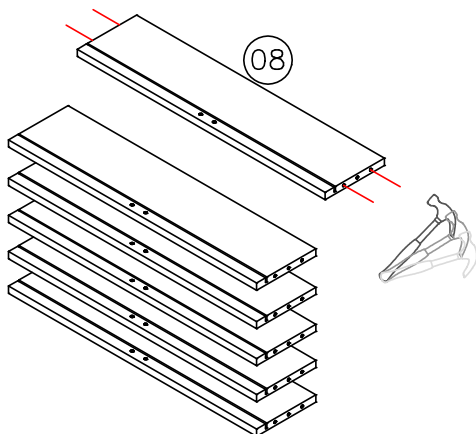
1C

This process is repeated six times (x6)



1D

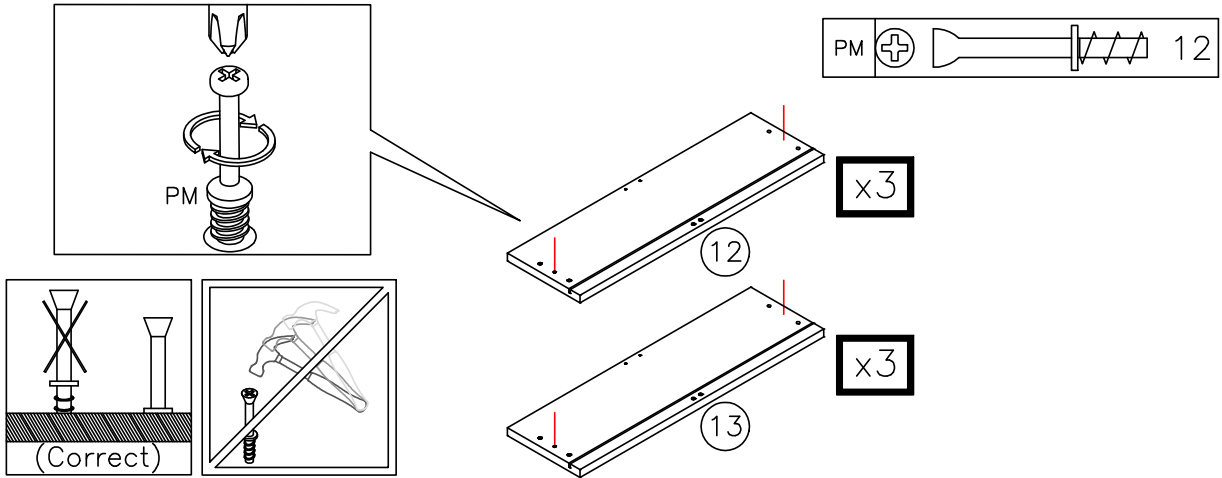
This process is repeated six times (x6)



1E

Drawer Preassembly

This process is repeated six times (x6)

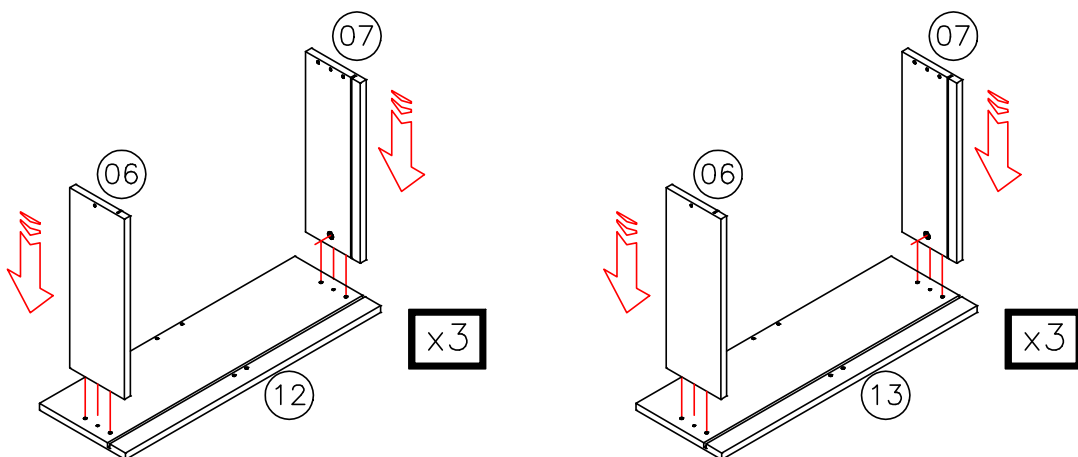
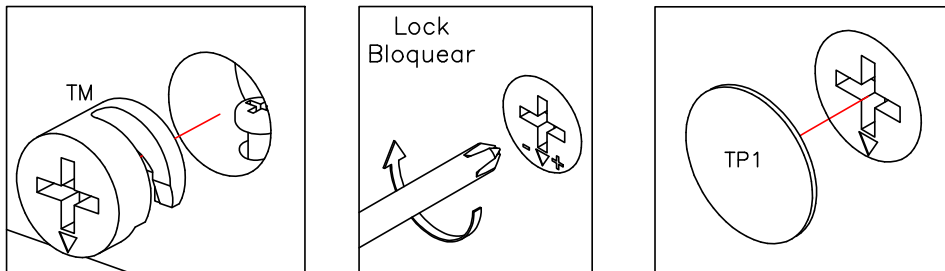


2

Drawers Mounting

This process is repeated six times (x6)

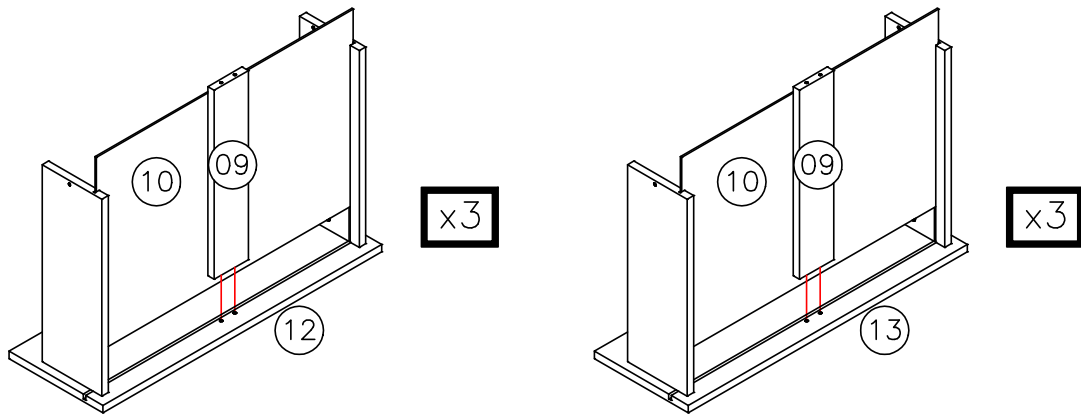
TM		12
TP1		12



3

Drawers Mounting

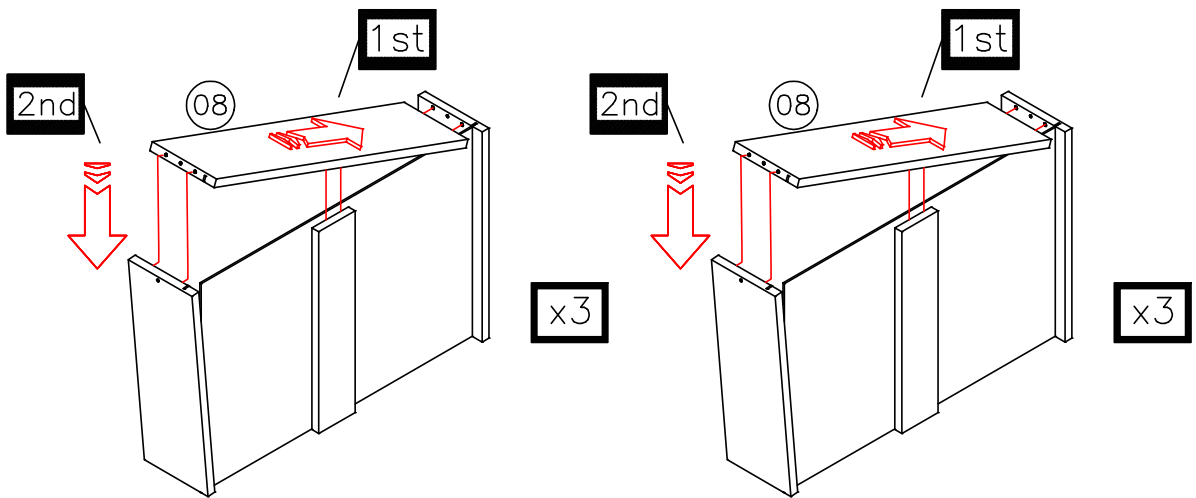
This process is repeated six times (x6)



4

Drawers Mounting


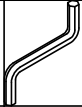
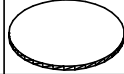
This process is repeated six times (x6)

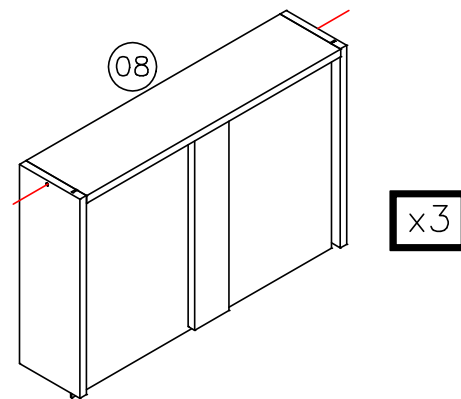
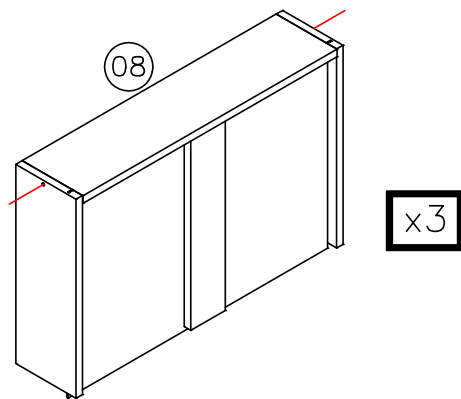
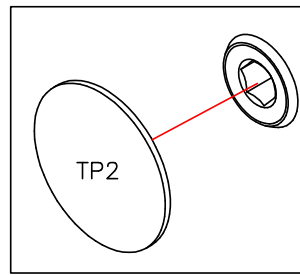
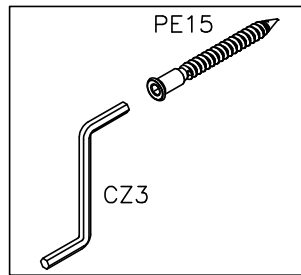


5

Drawers Mounting

This process is repeated six times (x6)




PE15		12
CZ3		1
TP2		12



6

Drawers Mounting

This process is repeated six times (x6)

CM4A		6
CM4B		6
PC3		24

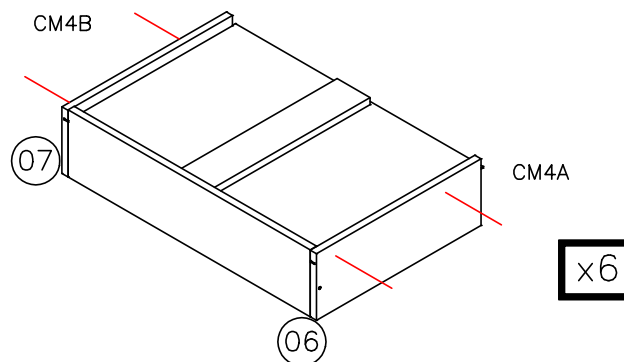
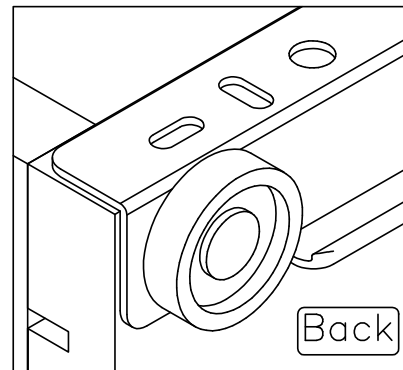
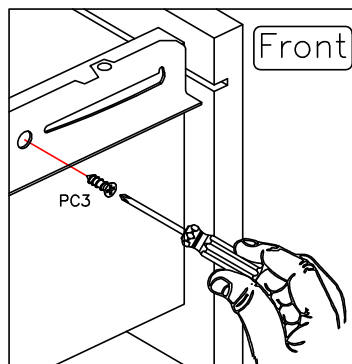
This QR code will take you to a YouTube video that will demonstrate how to properly install the Glide rail. You can also search YouTube for *K1 GLIDE RAIL.



Please ensure that these screws are complete screwed in. As failure to do so could cause issues when installing the drawer.

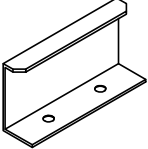



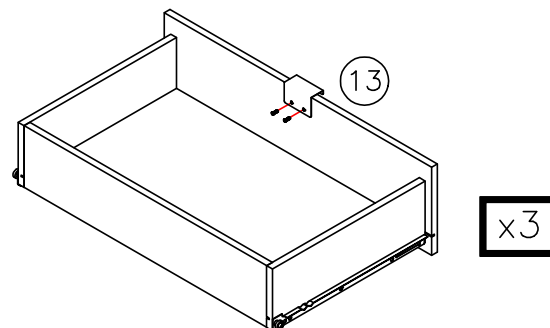
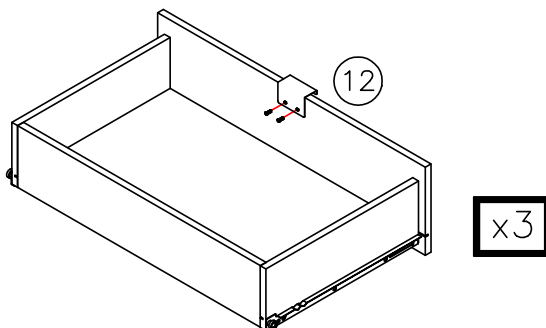
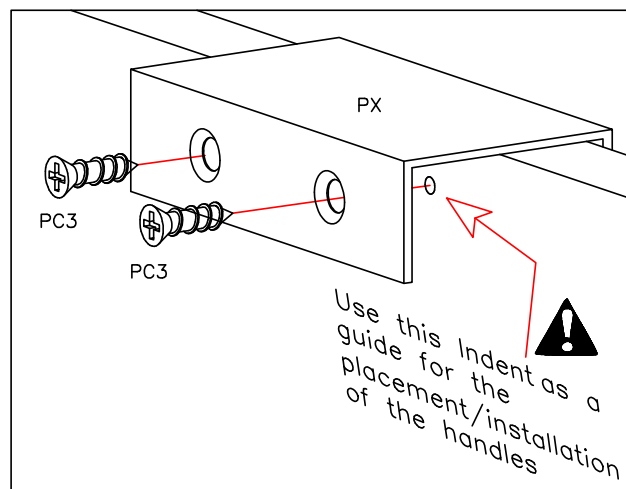
Wheels should Always be towards the back of the Drawers



7

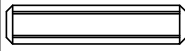
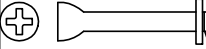
Drawer final assembly

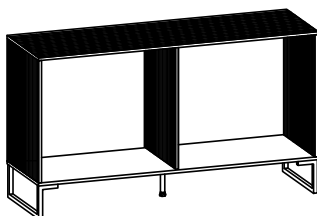
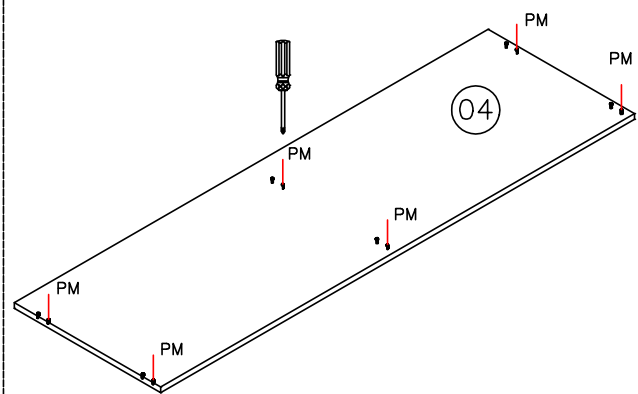
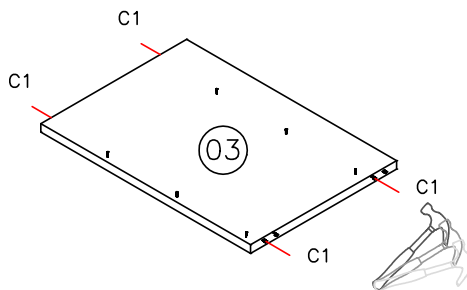
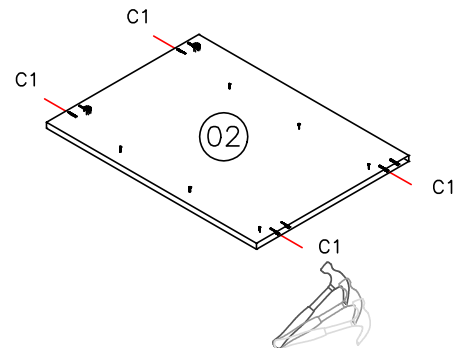
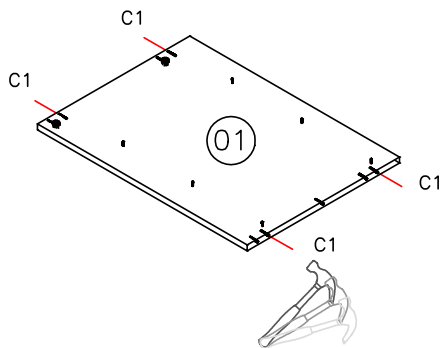
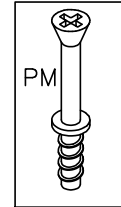
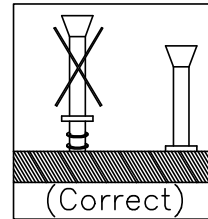
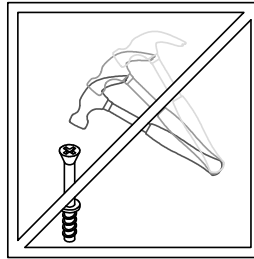
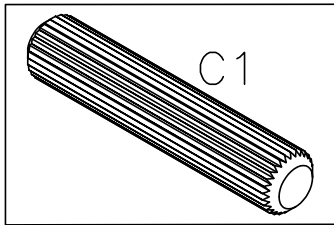
PX		6
PC3		12



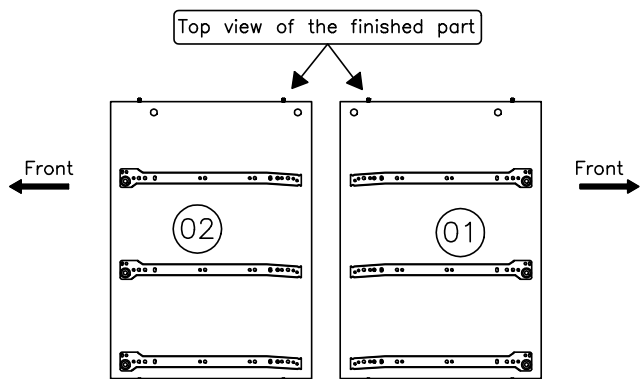
8

Preassembly of parts

C1		12
PM		6

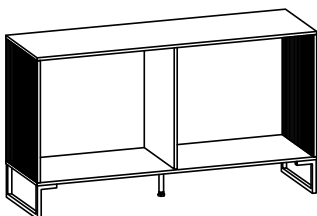
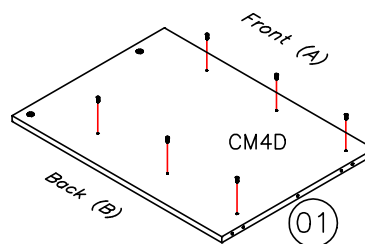
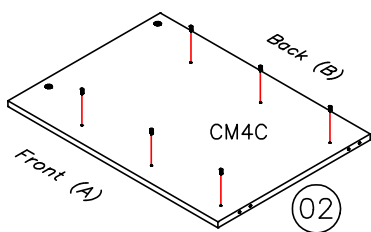
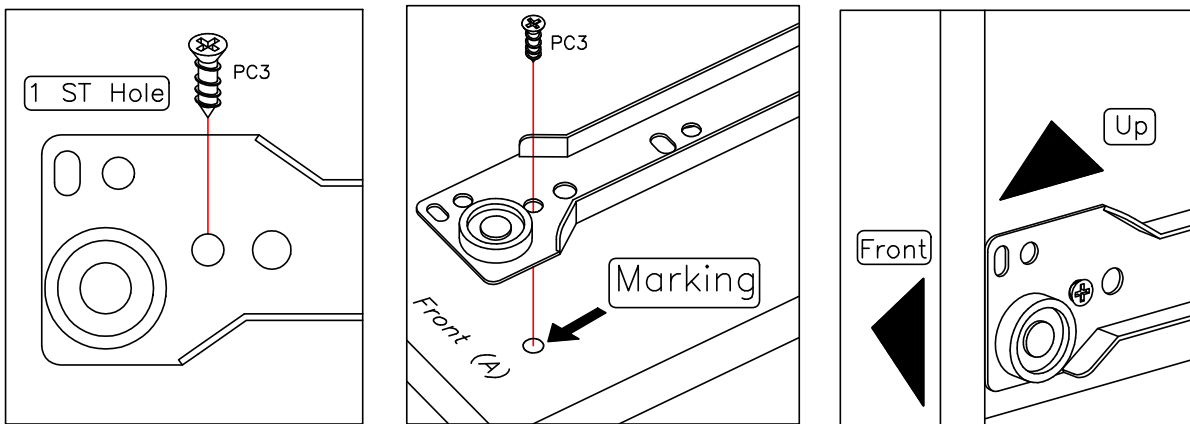


9

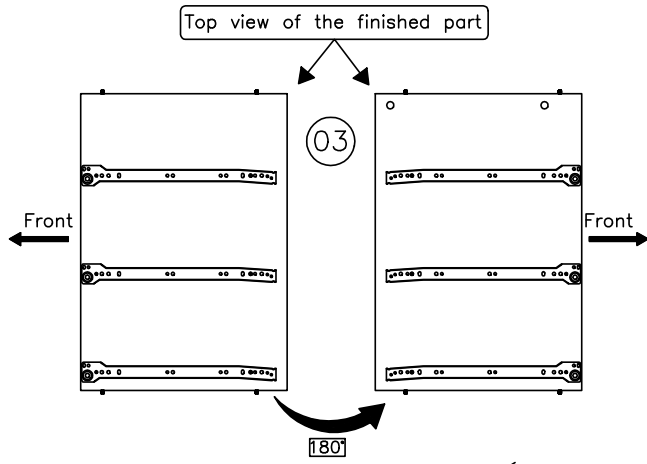


PC3		12
CM4C		3
CM4D		3

Detailed view of CORRECT hole location in the rail for the "PC3" Screw

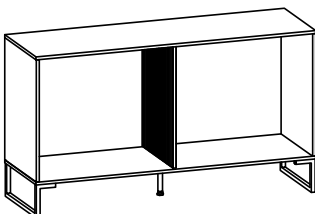
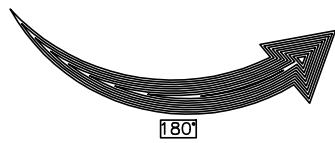
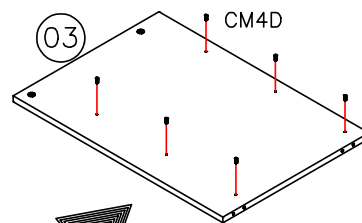
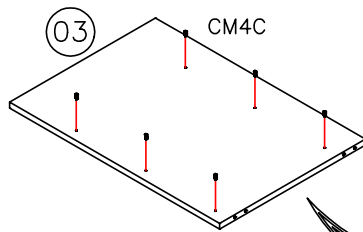
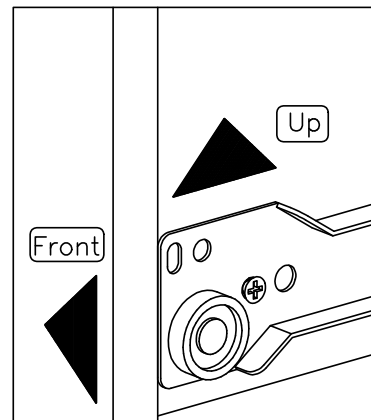
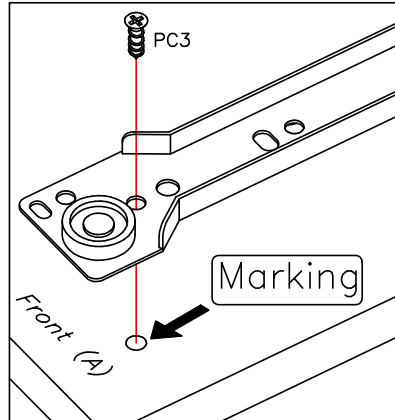
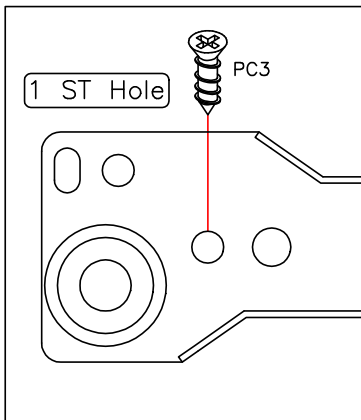


10



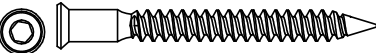


PC3		12
CM4C		3
CM4D		3

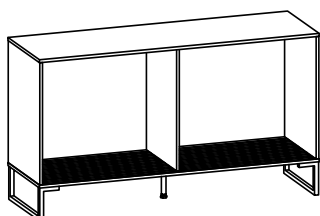
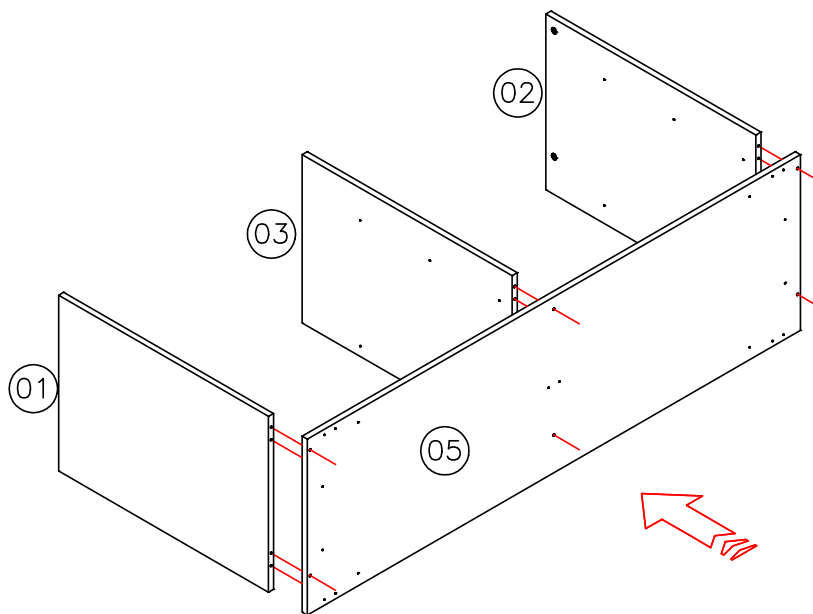
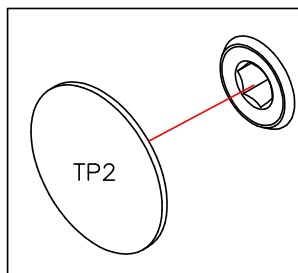
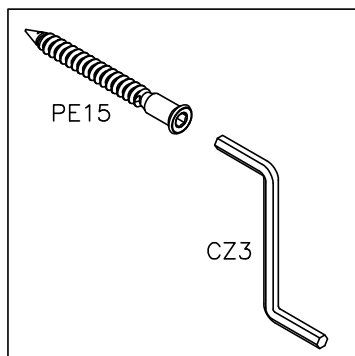
Detailed view of CORRECT hole location in the rail for the "PC3" Screw




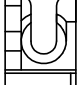

11

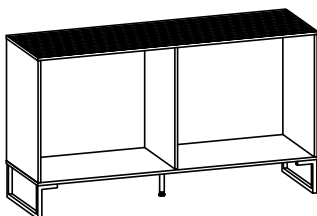
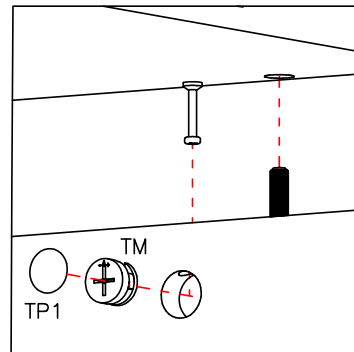
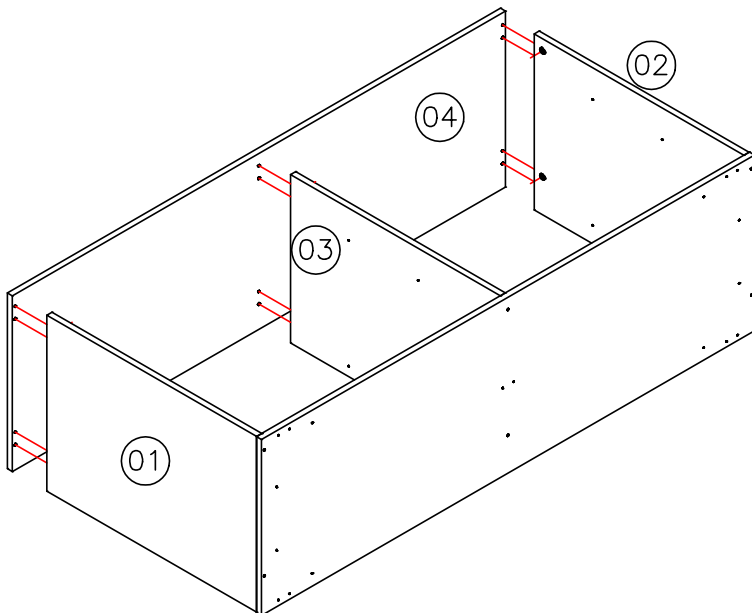
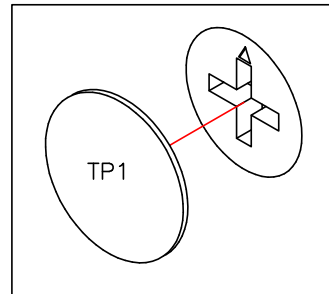
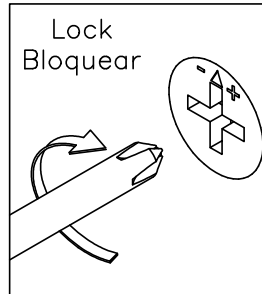
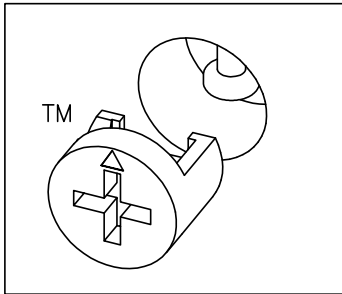
Product Assembly

PE15		6
CZ3		1
TP2		6



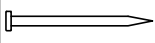
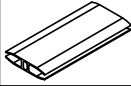
12

TM			6
TP1			6

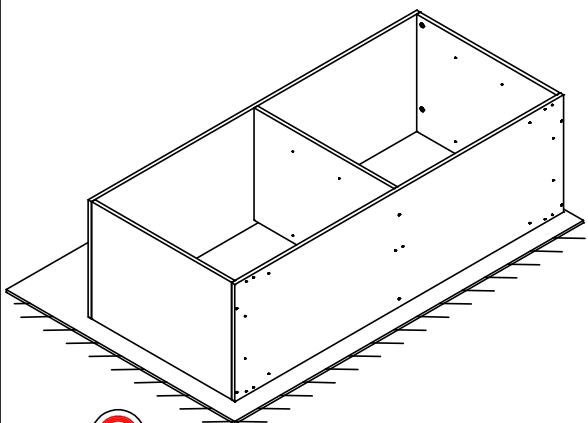



13

Attention: Ensure that when nailing the back parts in place, that it is being nailed as straight as possible to the top and sides.
Failure to do so can make the drawers appear crooked.

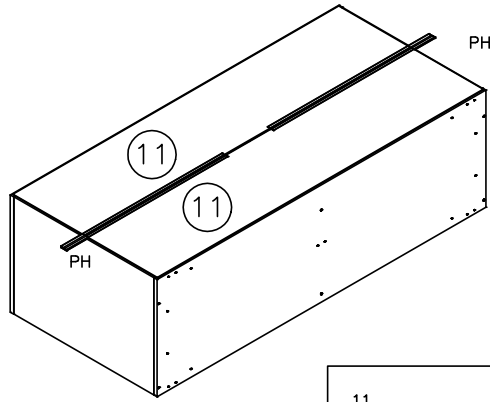
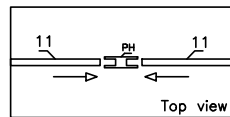
PR1		41
PH		2

1ST

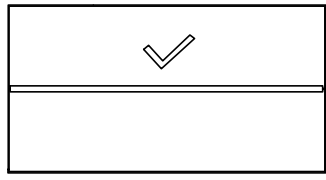
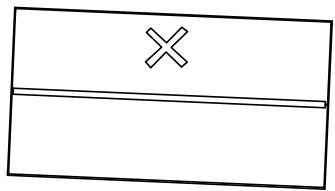



Carefully place the furniture on its front, on top the box in which it came to protect it when attaching the back panel.

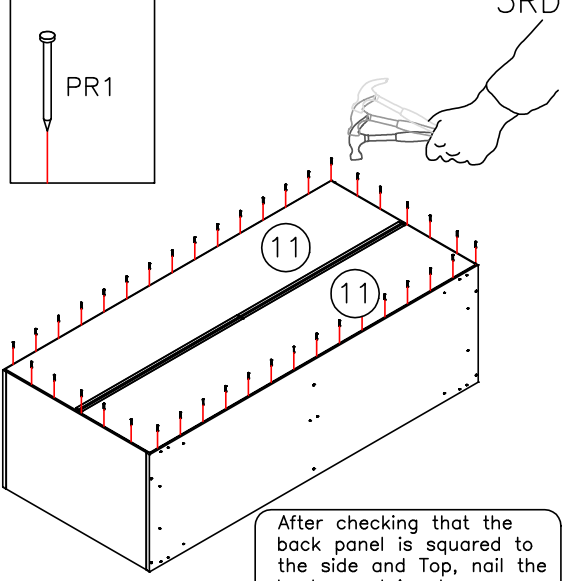
2ND

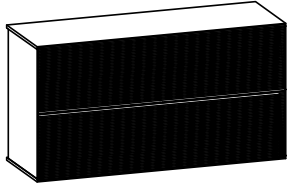
Note: It is essential to place the furniture strait/squared to avoid problems with the functioning and alignment of the Drawers and Doors.



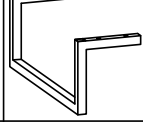
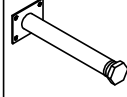
3RD

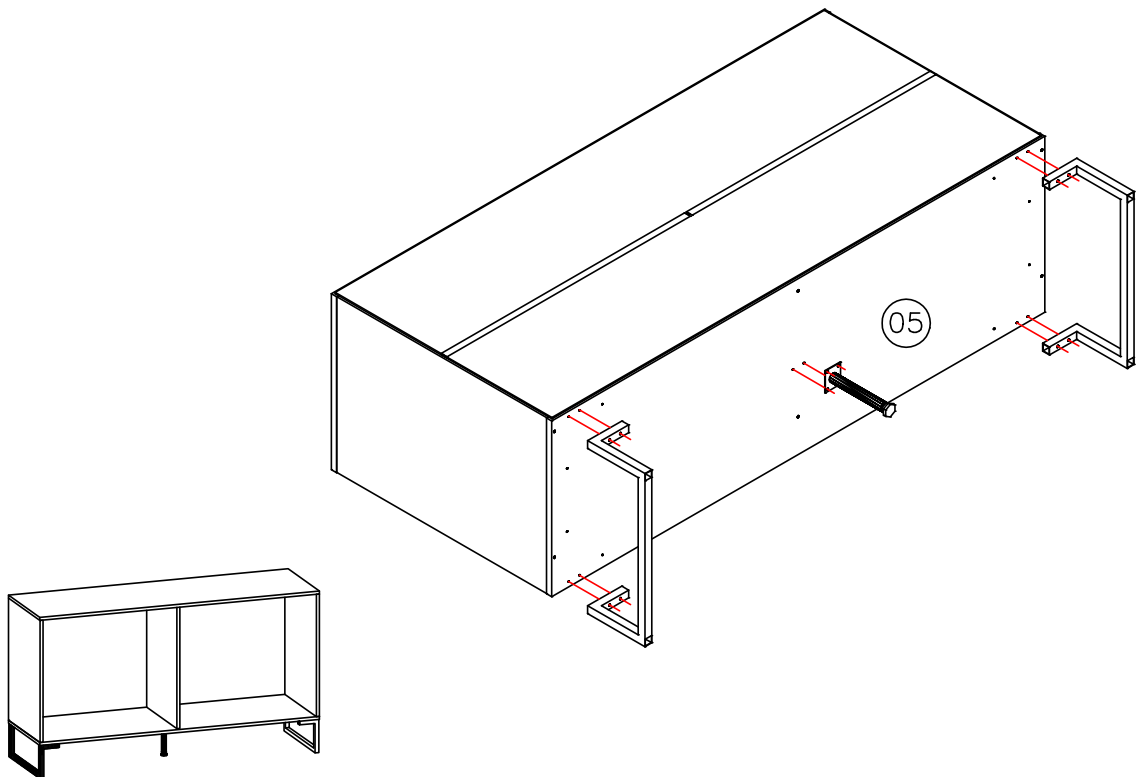
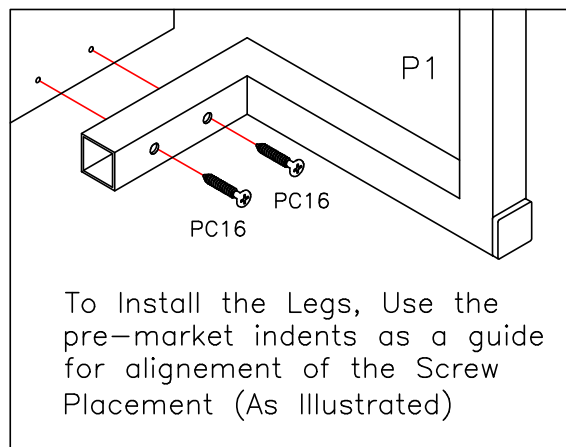
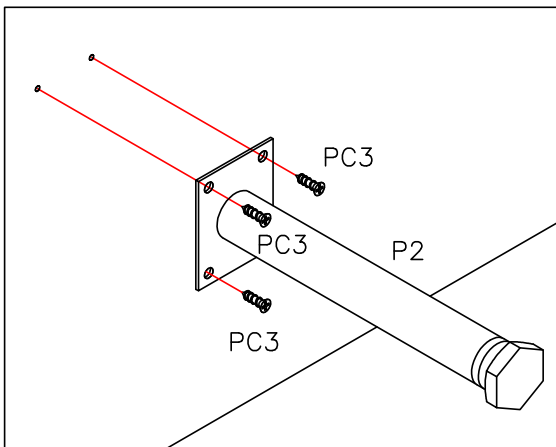


After checking that the back panel is squared to the side and Top, nail the back panel in place.




14

PC16		8
PC3		4
P1		2
P2		1

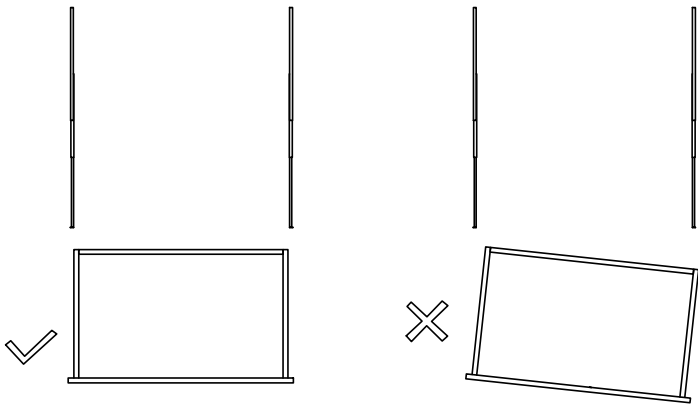
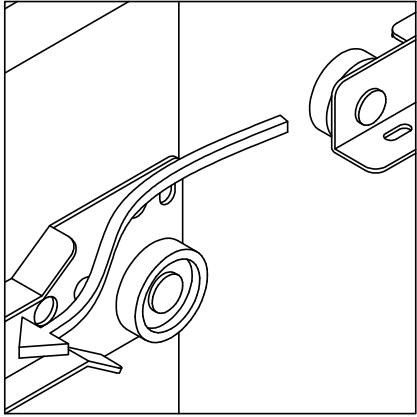
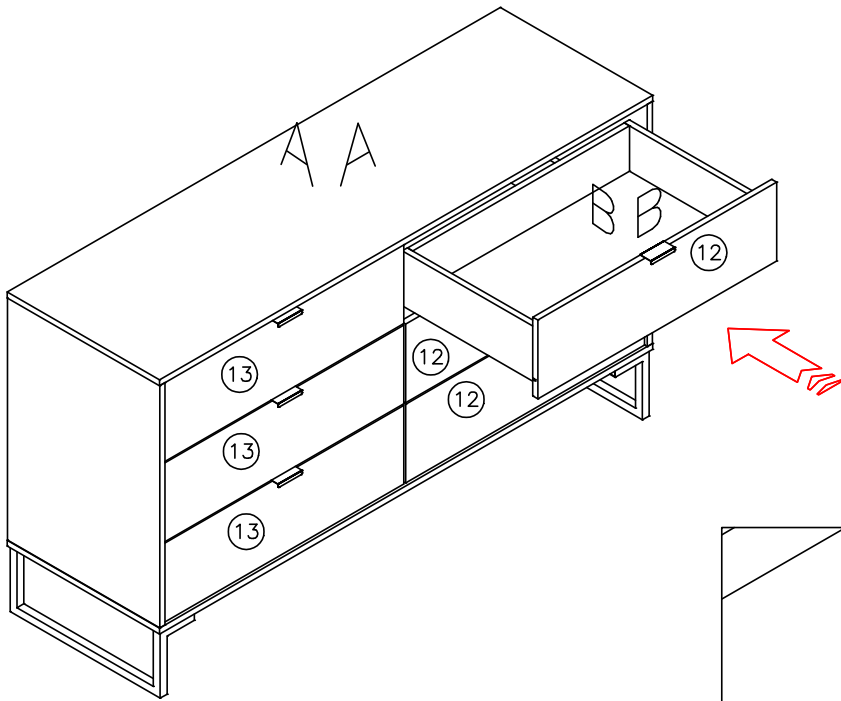


15



Drawer installation

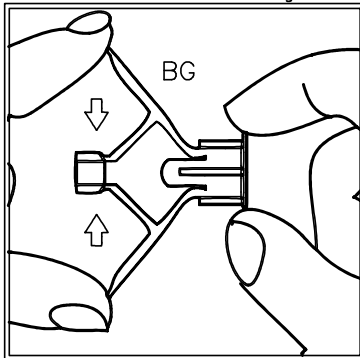
Insert the slide into the profile and close the drawer to finish locking the clip.



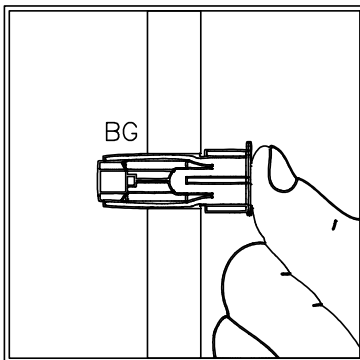
	Kg	lb
A	35	77.16lb
B	6	13.23lb

16 NOTE: Do not turn the DRYWALL ANCHOR into a wall stud. If you prefer to fasten the SAFETY ANTI-TIPPING to a wall stud, go to your local hardware store for proper hardware.

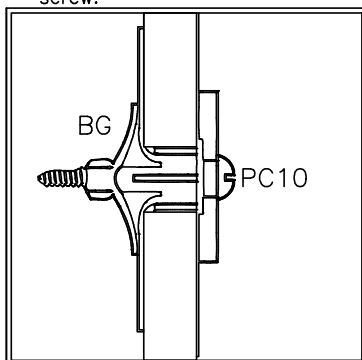
Compress the wings of anchor before inserting.



Insert the chuck into the hole of the base material.

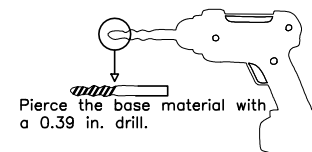
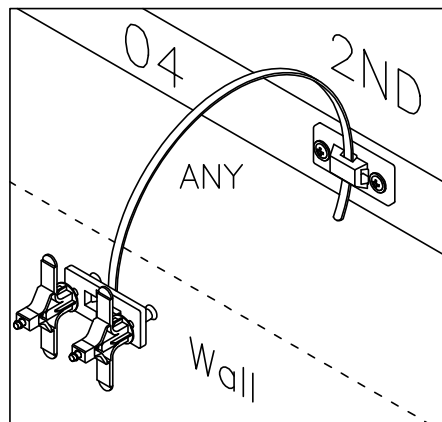
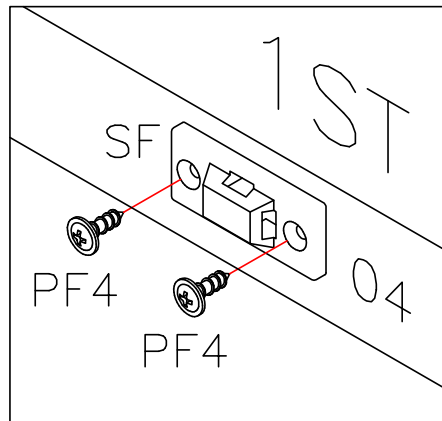


Position the object over the bushing and secure it with a screw.



▲ WARNING –Anti-Tip Advisory

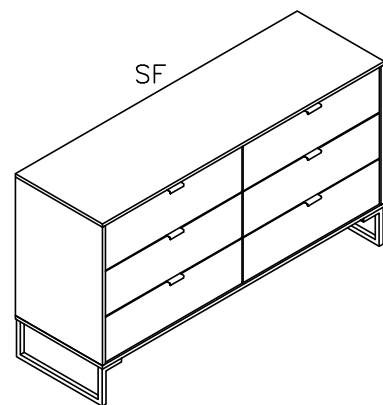
Anti-tipping installation			
SF		Mounting bracket	2
ANY		Clamp	1
PC10		Screw 4,5x50	2
PF4		Screw 3,5x16 BC	2
BG		Anchor	2



Pierce the base material with a 0.39 in. drill.

Important

- The minimum length of the screw must be the bushing length + object thickness that will be fixed.
- To guarantee the wing expansion function of the bushing, after the screw head is at the object to be fixed, one must continue to rotate the screw until maximum torque is reached.



Potential of serious fatal crushing injuries may occur from furniture tip-over. To help prevent tip-over:

ALWAYS INSTALL the tip-over restrain that came with your furniture. This tip-over restrains only reduces but does NOT completely eliminate the risk of tip-over

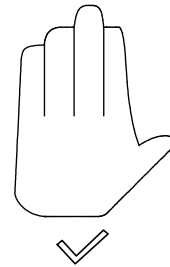
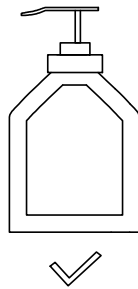
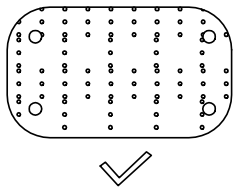
- ALWAYS Place the heaviest items in the lowest/bottom drawer.
- NEVER place heavy objects on top of this product.
- NEVER allow children to scale/climb/hang on the drawers, doors, or shelves.
- NEVER open more than one drawer at a time.


B ADVERTENCIA – Aviso antivuelco

Pueden producirse lesiones graves por aplastamiento mortales debido al vuelco de los muebles. Para ayudar a prevenir vuelcos:

- o SIEMPRE INSTALE el sistema de retención que viene con sus muebles. Este sistema antivuelco solo reduce pero NO elimina por completo el riesgo de vuelco.
- o SIEMPRE coloque los artículos más pesados en el cajón más bajo /inferior.
- o NUNCA coloque objetos pesados encima de este producto.
- o NUNCA permita que los niños escalen, trepen o se cuelguen de los cajones, puertas o estantes.
- o NUNCA abra más de un cajón a la vez

17



 To Remove the printed number, apply a small amount of Glass Cleaner or Hand sanitizer and wipe with a paper towel.

